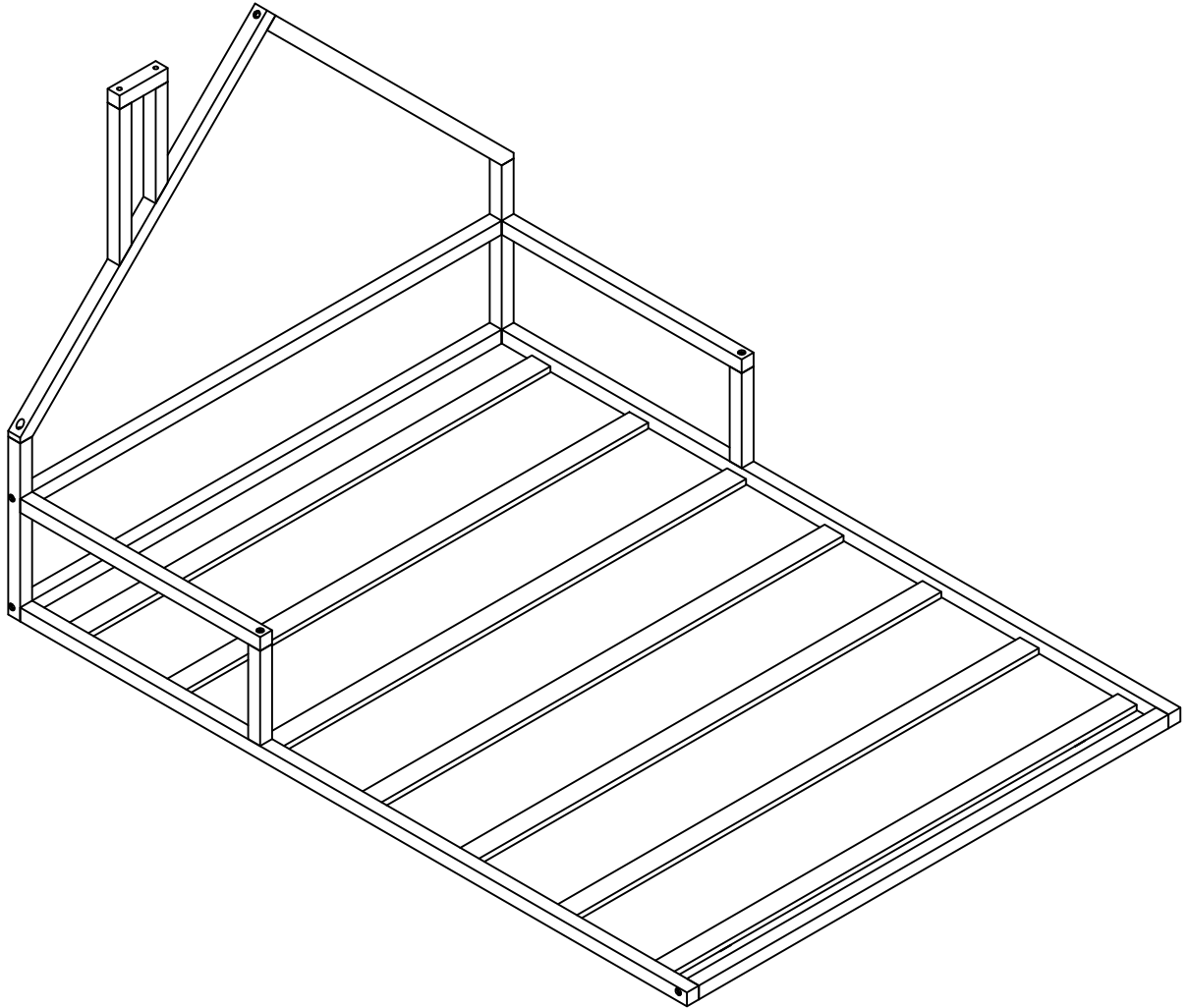
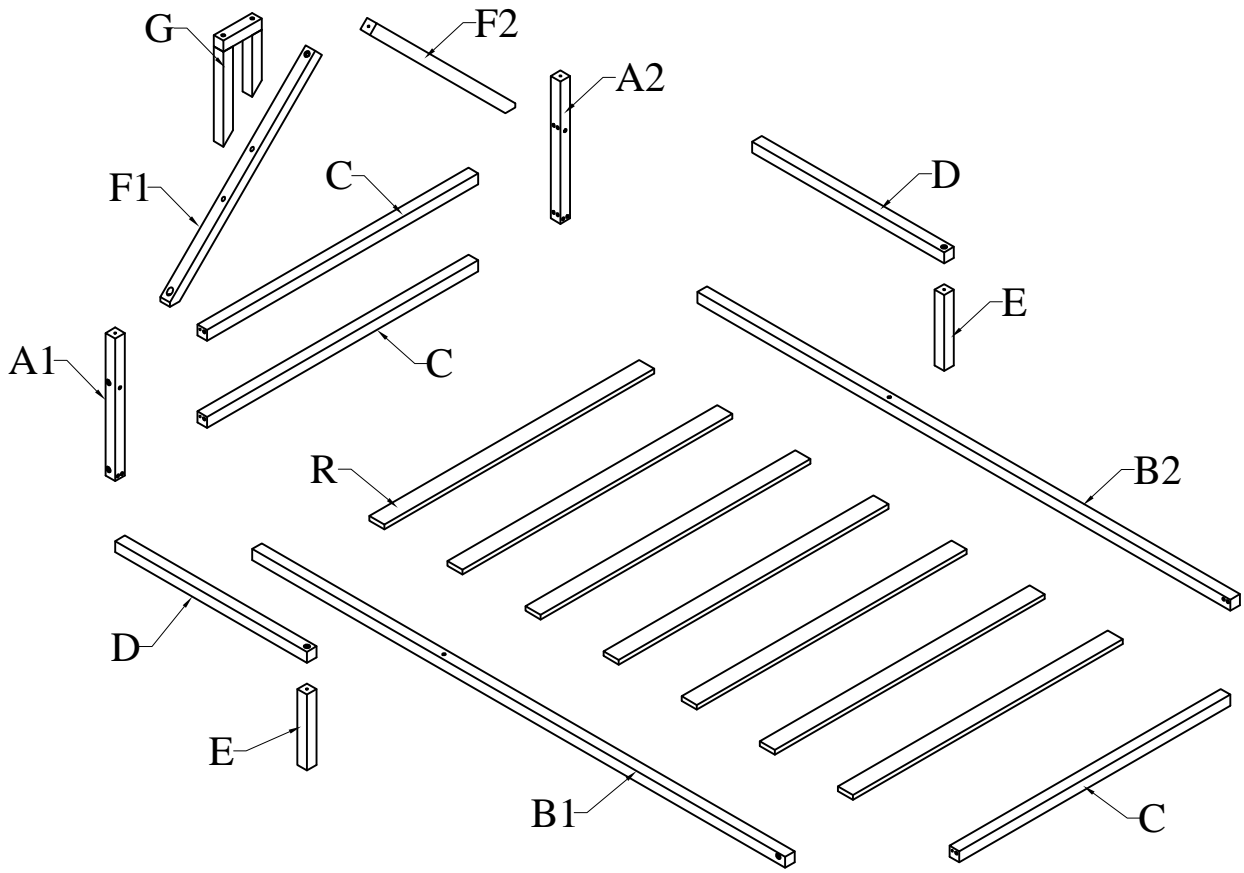


ASSEMBLY INSTRUCTIONS



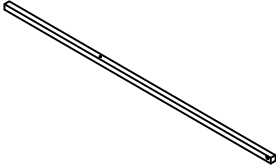
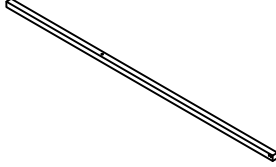
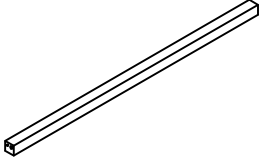
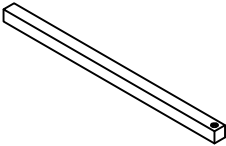

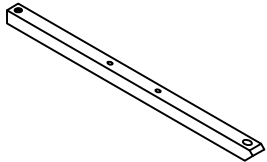
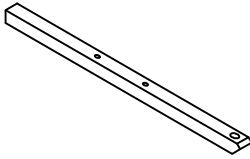

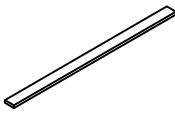
ITEM CODE: WF304146



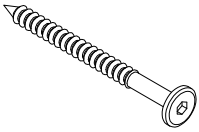

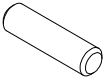
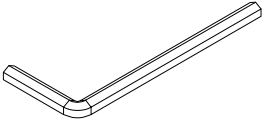
DETAIL VIEW

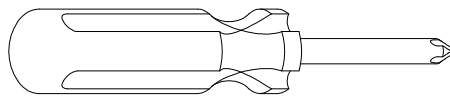


BOX: WF304146

<p>A1</p>  <p>Front leg - left (1pc)</p>	<p>A2</p>  <p>Back leg - left (1pc)</p>	<p>B1</p>  <p>Side rail - left (1pc)</p>	<p>B2</p>  <p>Side rail - right (1pc)</p>
<p>C</p>  <p>Horizontal rail (3pcs)</p>	<p>D</p>  <p>Handrails (2pcs)</p>	<p>E</p>  <p>Vertical rail (2pcs)</p>	<p>F1</p>  <p>Vertical bar - left (1pc)</p>
<p>F2</p>  <p>Vertical bar - right (1pc)</p>	<p>G</p>  <p>Chimney frame (1pc)</p>	<p>R</p>  <p>Slats (7pcs)</p>	

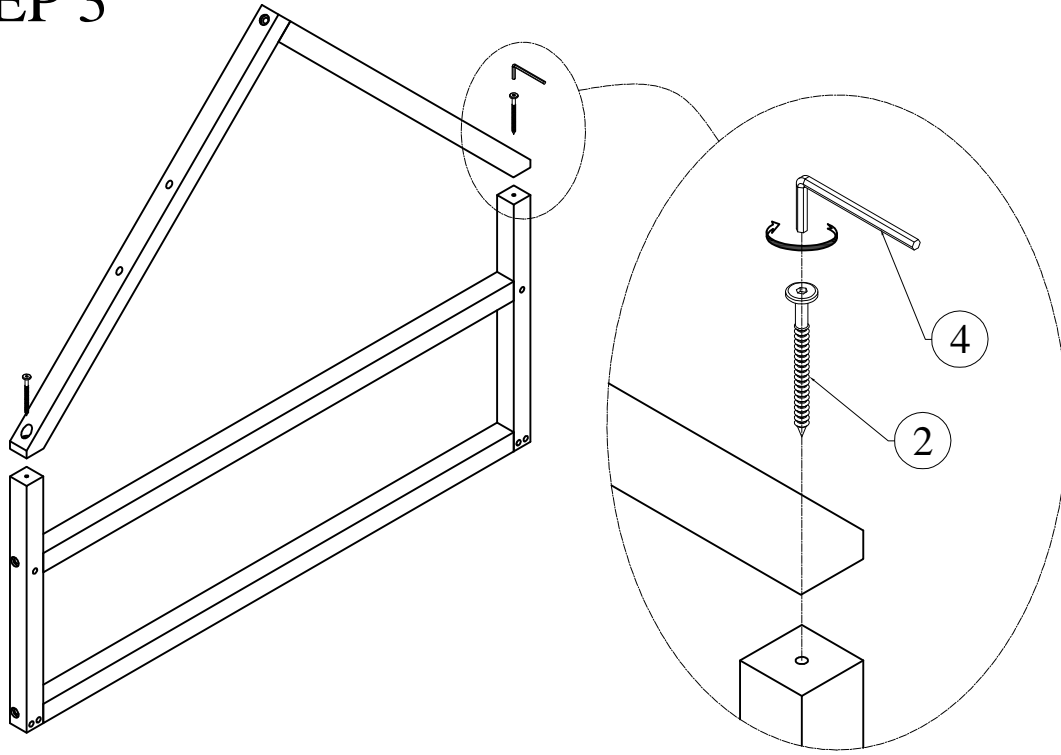
HARDWARE LIST: WF304146

<p>1</p>  <p>Hexagonal bolts catch wood Ø6 * 70 - 17pcs</p>	<p>2</p>  <p>Hexagonal bolts catch wood Ø6 * 60 - 2pcs</p>	<p>3</p>  <p>Wood dowel Ø8 * 30 - 8pcs</p>	<p>4</p>  <p>Allen key K4 - 1pc</p>
--	---	--	--



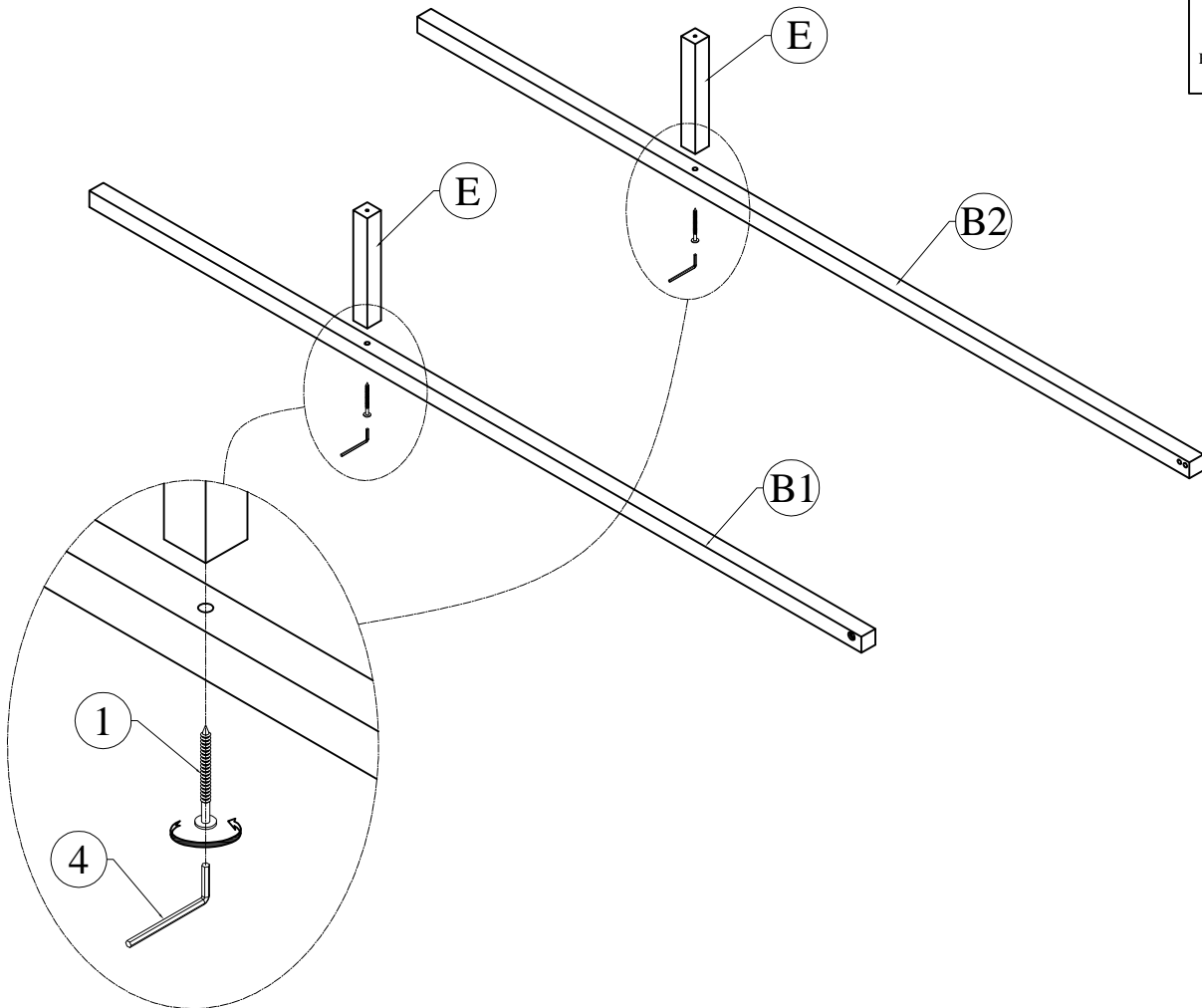
Assembly Tools Required (Not Included)

STEP 3



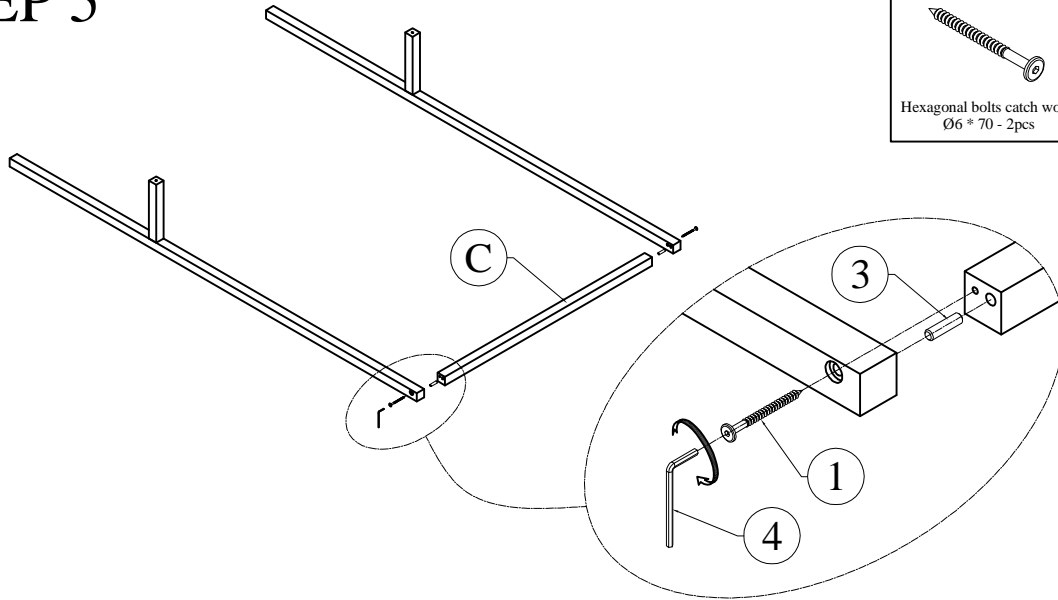
2
Hexagonal bolts catch wood
Ø6 * 60 - 2pcs


STEP 4

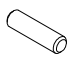


1
Hexagonal bolts catch wood
Ø6 * 70 - 2pcs

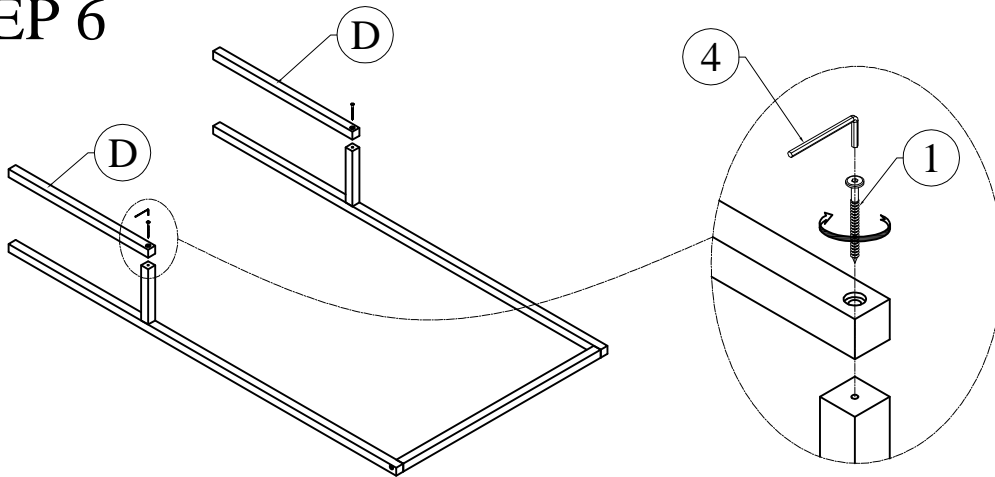
STEP 5




1

Hexagonal bolts catch wood
Ø6 * 70 - 2pcs

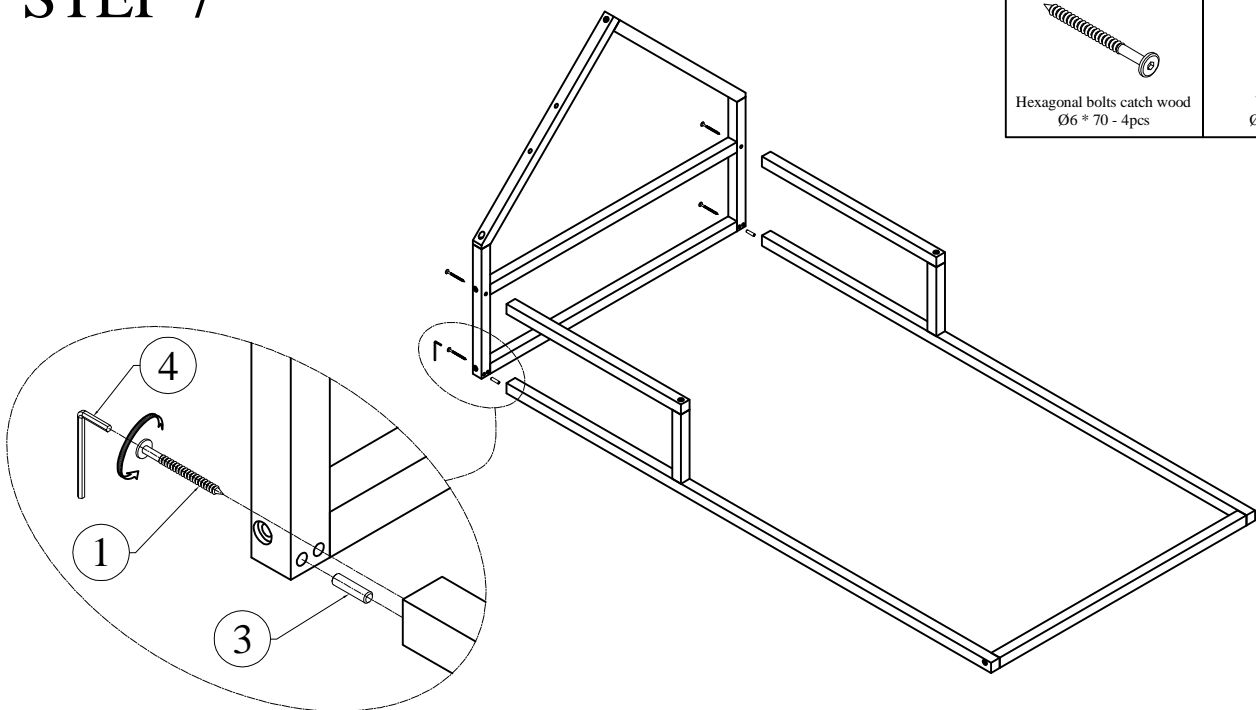
3

Wood dowel
Ø8 * 30 - 2pcs


STEP 6

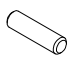


1

Hexagonal bolts catch wood
Ø6 * 70 - 2pcs

STEP 7



1

Hexagonal bolts catch wood
Ø6 * 70 - 4pcs

3

Wood dowel
Ø8 * 30 - 2pcs

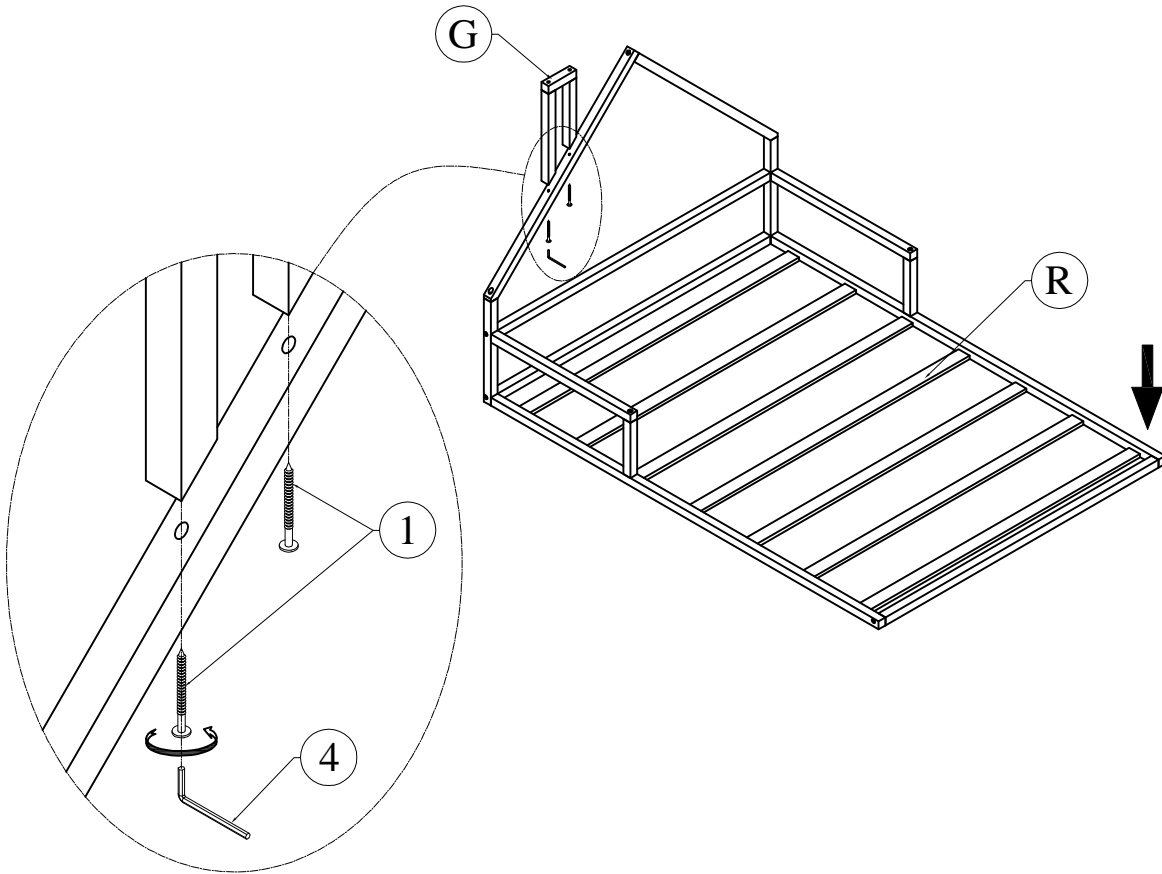
STEP 8

The distance between the slats is 9-1/4 inch

1

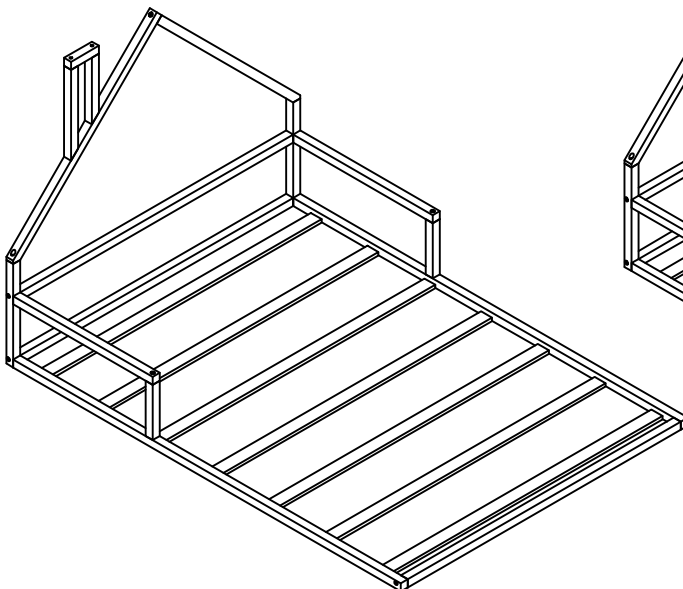


Hexagonal bolts catch wood
Ø6 * 70 - 2pcs



COMPLETED

OPTION 1



OPTION 2

