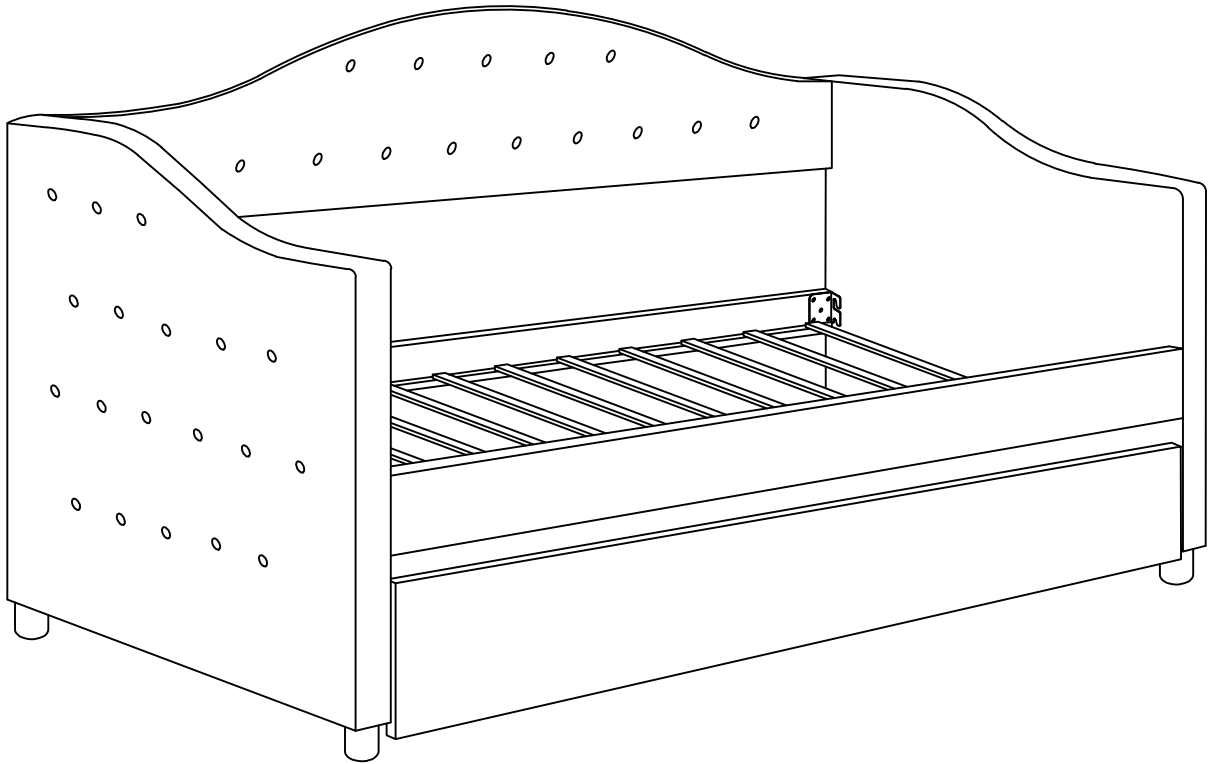


# ASSEMBLY INSTRUCTIONS

WF288113/WF288114



## IMPORTANT NOTE

**\*\*PLACE ALL PARTS ON A CLEAN AND SMOOTH SURFACE SUCH AS A RUG OR CARPET TO AVOID THE PARTS FROM BEING SCRATCHED**

**\*\* BEFORE YOU BEGIN , KINDY FOLLOW THE ASSEMBLY INSTRUCTIONS STEP BY STEP**

**\*\*DO NOT TIGHTEN ALL SCREWS AND BOLTS UNTIL THE BED IS FULLY SET-UP**

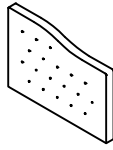
# ASSEMBLY INSTRUCTIONS

WF288113/WF288114

## PARTS IDENTIFICATION

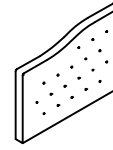
### B1(BOX1)

1 Left Bed Panel



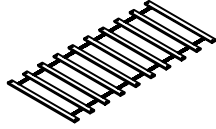
1pc

2 Right Bed Panel



1pc

3 Roll Slat (10pcs)



2set

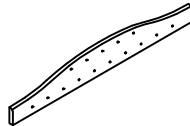
4 Leg



4pcs

### B2(BOX2)

5 Headboard Panel



1pc

6 Left Upper Rail



1pc

7 Back Panel Trundle



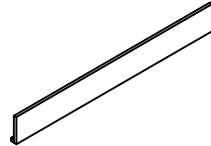
1pc

8 Right Upper Rail



1pc

9 Front Panel Trundle



1pc

10 Wheels  
( m59x42mmx66mm)

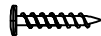


4pcs

## HARDWARE IDENTIFICATION

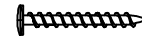
### B1(BOX1) HARDWARES IN WF288114(B1)

A Flat Head Screw  
( m4x15mm-RBW)



40pcs

B Flat Head Screw  
( m4x30mm-RBW)



40pcs

C Bolt  
(Ø 5/16 "X25mm)



16pcs

D Spring Washer  
( Ø 5/16 "-RBW )



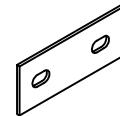
16pcs

E Flat Washer  
( Ø 5/16 "-RBW )



16pcs

F Patch  
( 100mmx40mmx2mm)



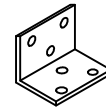
4pcs

G Allen Wrench  
(M4x75mm x32mm)



1pc

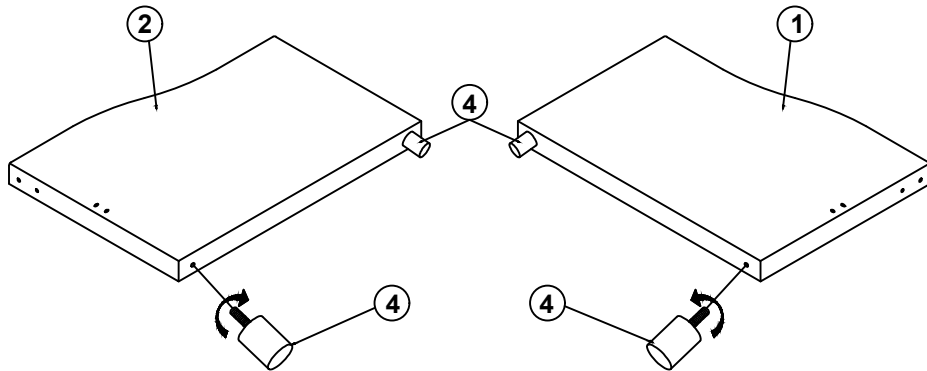
H Square Patch  
( 38mmx38mmx25mmx2mm)



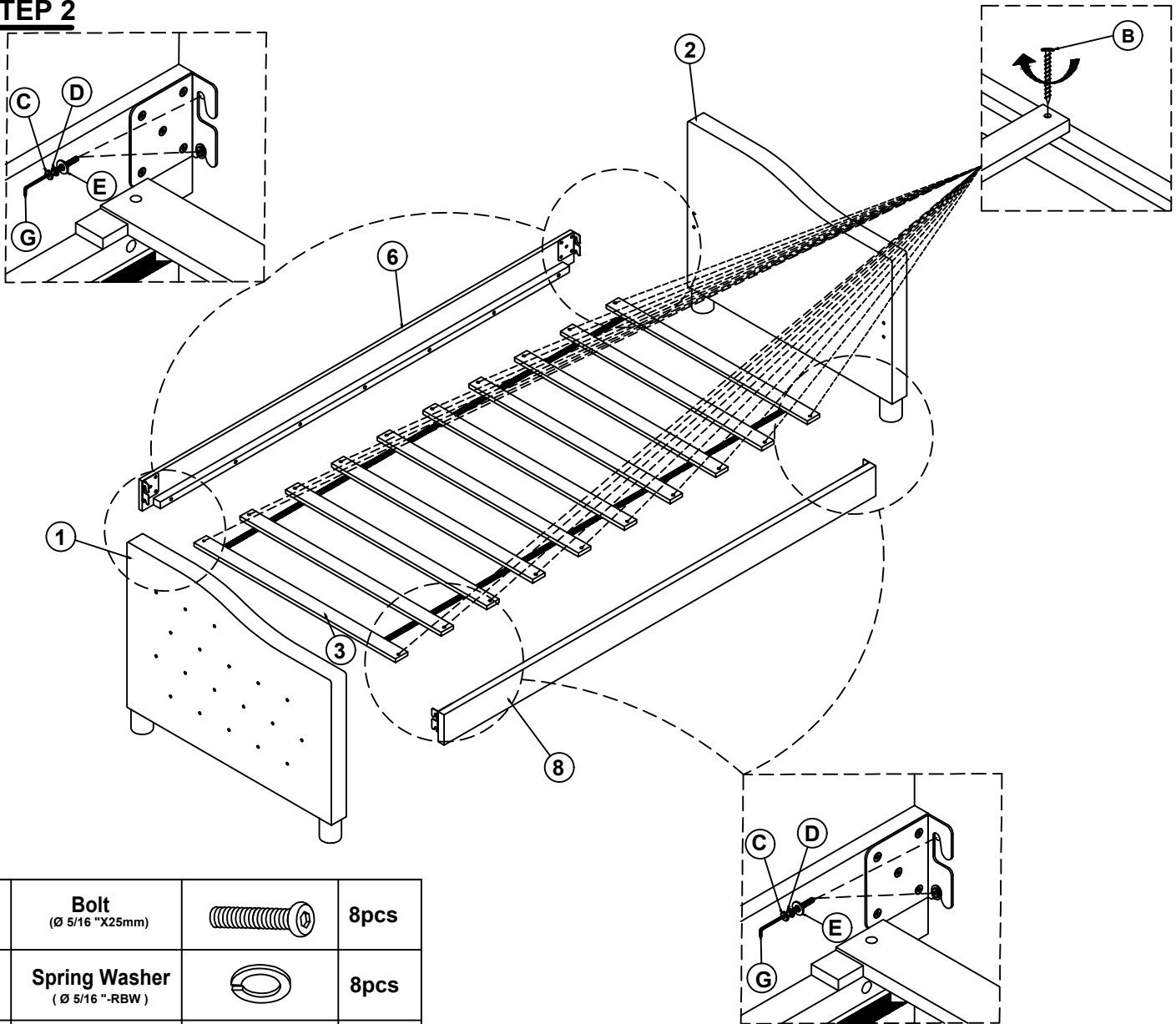
4pcs





# ASSEMBLY INSTRUCTIONS

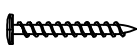
## STEP 1



## STEP 2

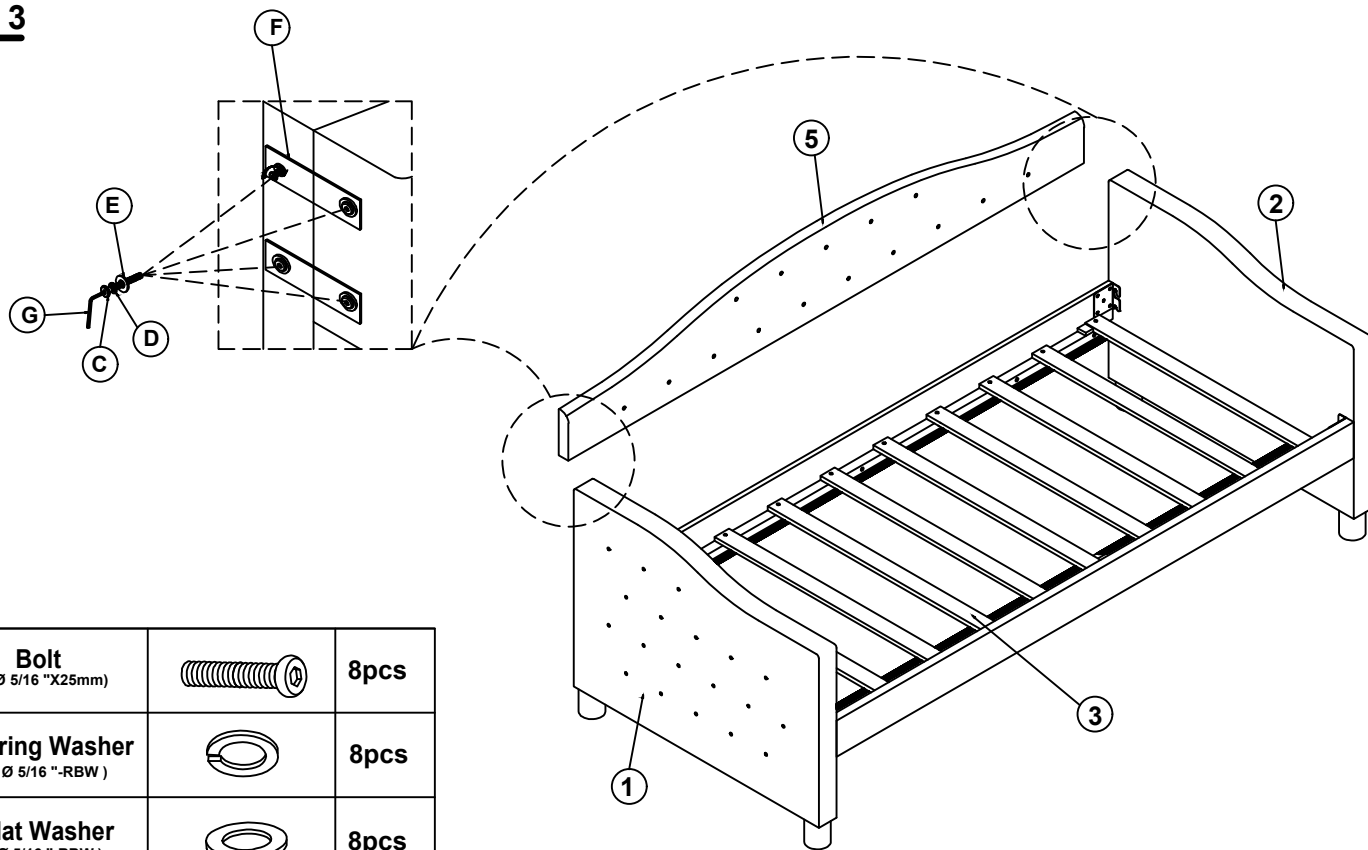






C	<b>Bolt</b> (Ø 5/16 "X25mm)		8pcs
D	<b>Spring Washer</b> (Ø 5/16 "-RBW)		8pcs
E	<b>Flat Washer</b> (Ø 5/16 "-RBW)		8pcs
G	<b>Allen Wrench</b> (M4x75mm x32mm)		1pc


B	<b>Flat Head Screw</b> (m4x30mm-RBW)		20pcs
---	---	---	-------

# ASSEMBLY INSTRUCTIONS

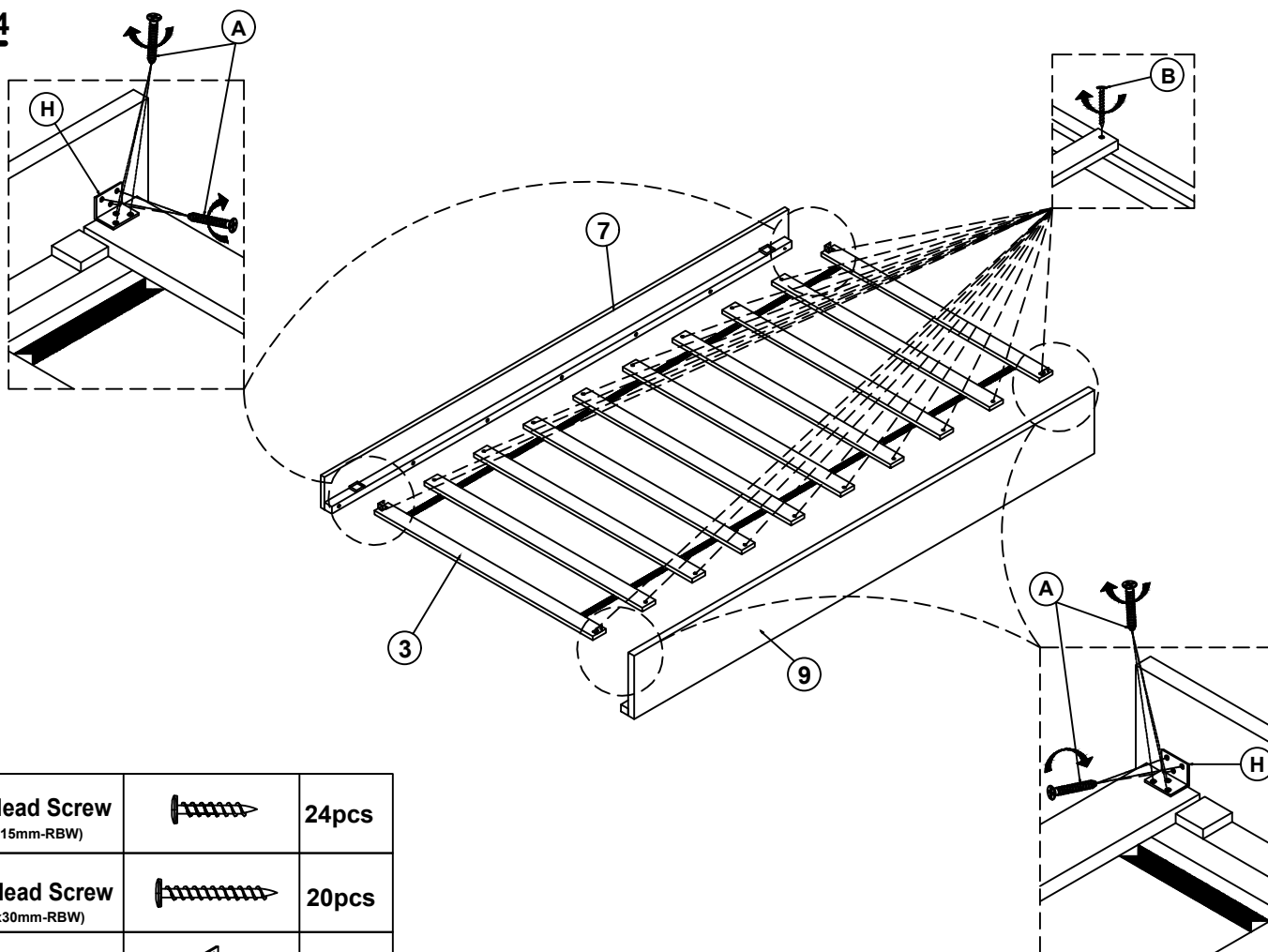
## STEP 3

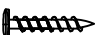
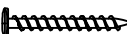



C	<b>Bolt</b> (Ø 5/16 "x25mm)		8pcs
D	<b>Spring Washer</b> (Ø 5/16 "-RBW)		8pcs
E	<b>Flat Washer</b> (Ø 5/16 "-RBW)		8pcs
G	<b>Allen Wrench</b> (M4x75mm x32mm)		1pc

F	<b>Patch</b> (100mmx40mmx2mm)		4pcs
---	----------------------------------	---	------

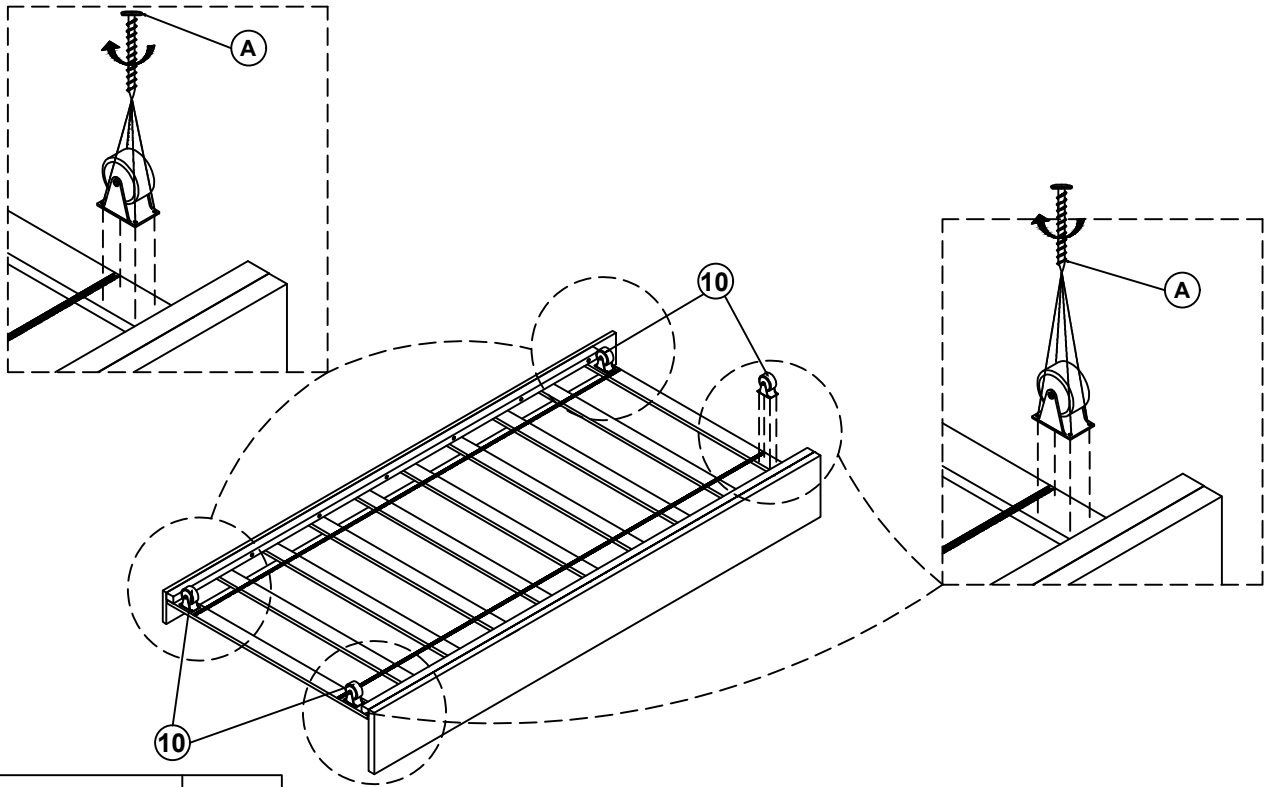
## STEP 4

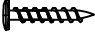



A	<b>Flat Head Screw</b> (m4x15mm-RBW)		24pcs
B	<b>Flat Head Screw</b> (m4x30mm-RBW)		20pcs
H	<b>Square Patch</b> (38mmx38mmx25mmx2mm)		4pcs

# ASSEMBLY INSTRUCTIONS

## STEP 5



A	Flat Head Screw (m4x15mm-RBW)		16pcs
10	Wheels (m59x42mmx66mm)		4pcs

## STEP 6 COMPLETE

