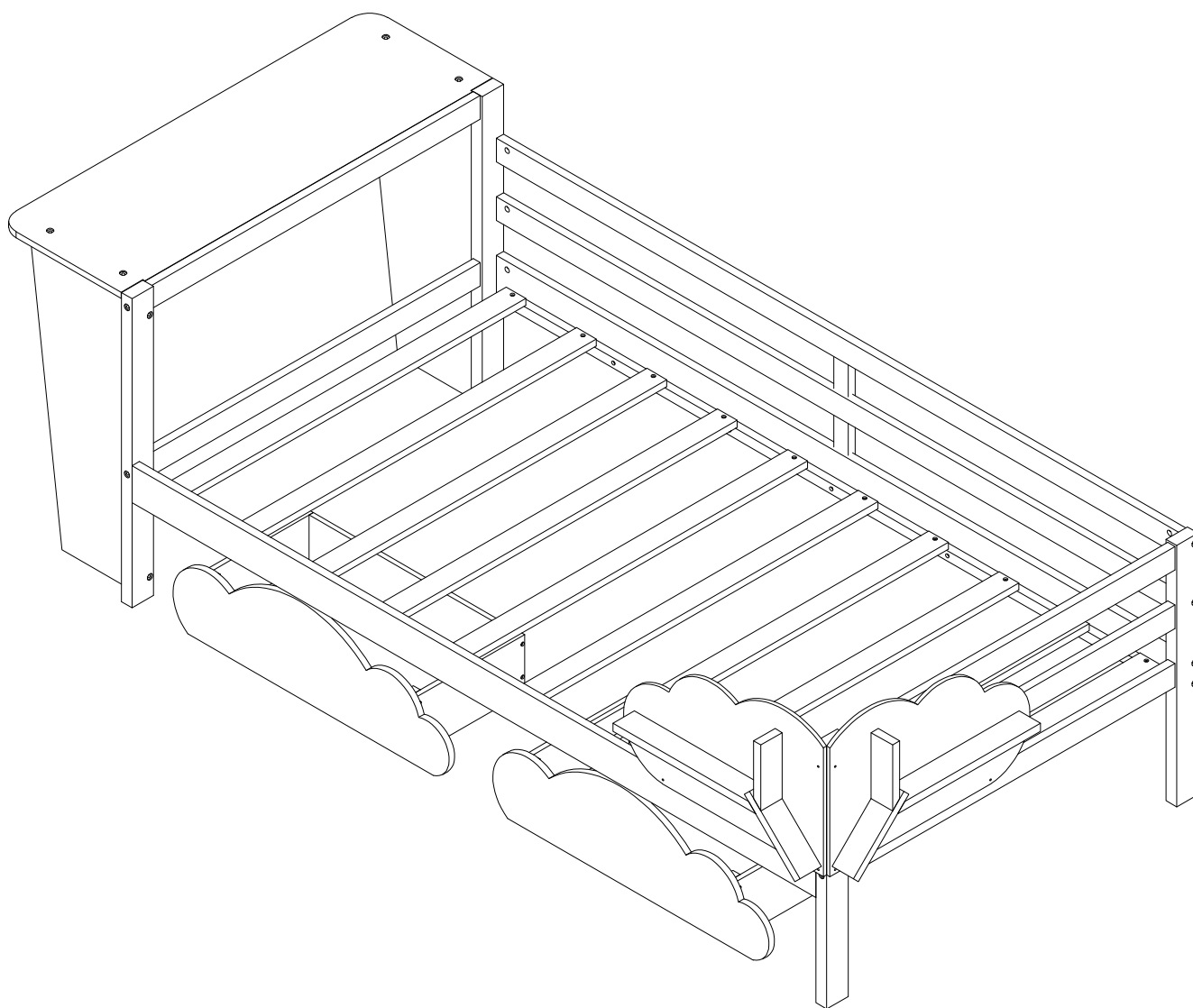


ASSEMBLY INSTRUCTIONS



This set is included 1 boxes if don't receive full 1 boxes please contact our customer service team.

WF303126

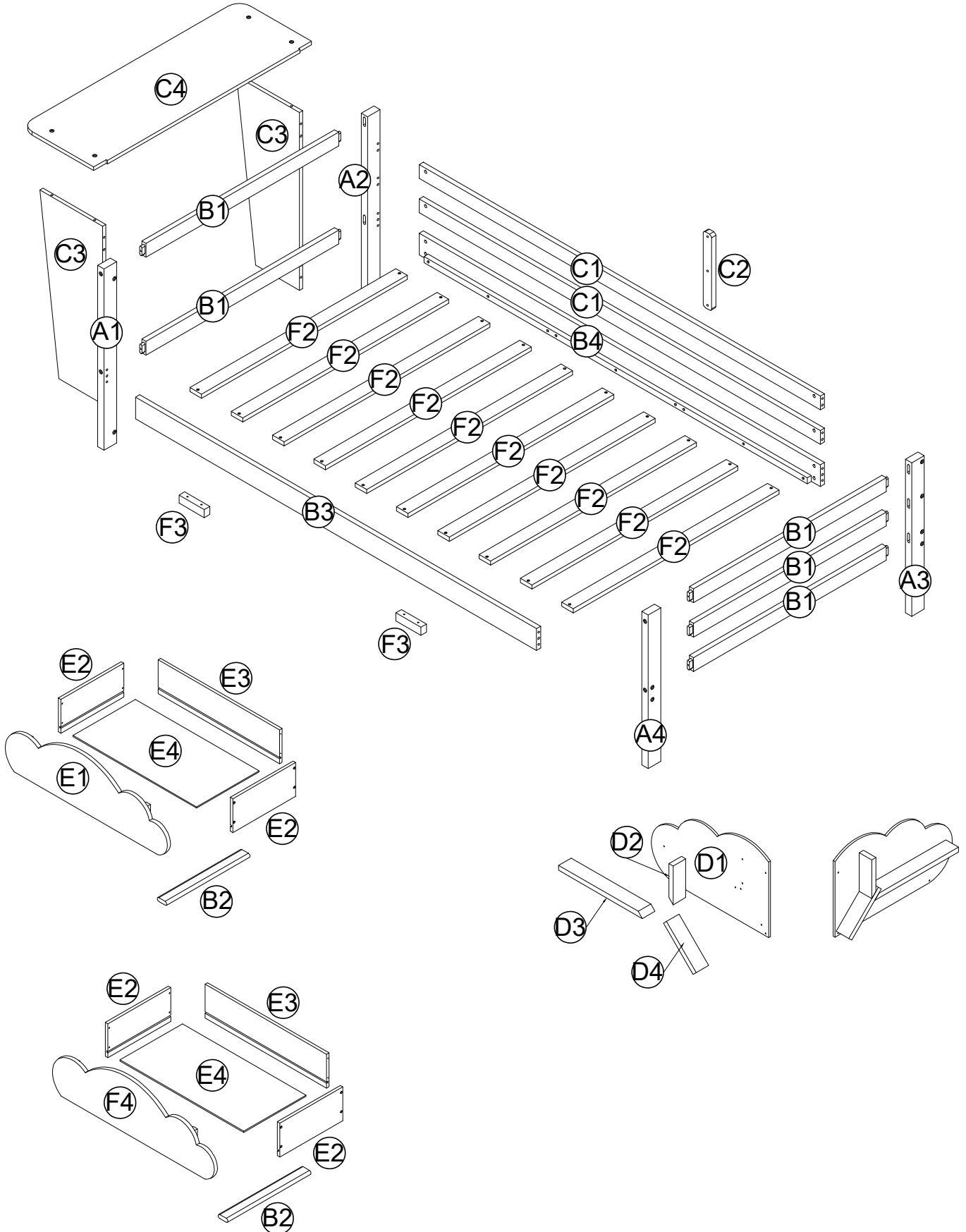
SAFETY WARNINGS AND GENERAL NOTES:

1. Do not use substitute parts. Contact the manufacturer or dealer for replacement parts.
2. Keep these instructions for future reference.
3. We recommend assembling your bed on the shipping carton to protect your floor or carpet.
4. Be certain all staples are out of the box before beginning assembly on the shipping carton.

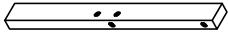

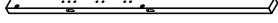
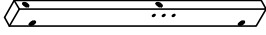
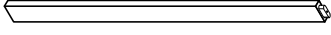




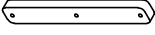



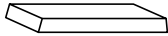
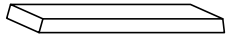
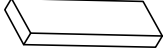
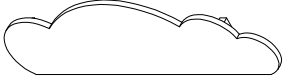
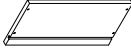
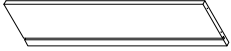


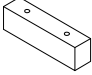
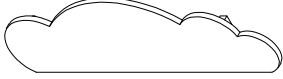
5.Replacement Parts:

Replacement Parts, including additional guardrails, may be obtained from any of our (GIGACLOUD TECHNOLOGY (USA) INC.) dealers

Detail View





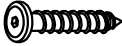




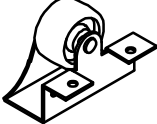




Part List(WF303126)

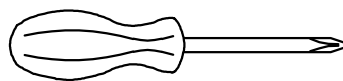
<p>A1</p>  <p>Left front foot - 1pc</p>	<p>A2</p>  <p>Left hind leg - 1pc</p>	<p>A3</p>  <p>Right hind leg - 1pc</p>
<p>A4</p>  <p>Right front foot- 1pc</p>	<p>B1</p>  <p>Bottom Horizontal Bar - 5pcs</p>	<p>B2</p>  <p>Drawer Bottom Puzzle - 2pcs</p>
<p>B3</p>  <p>Front shoulder bed- 1pc</p>	<p>B4</p>  <p>Back bed shoulder- 1pc</p>	<p>C1</p>  <p>Rear railing - 2pcs</p>
<p>C2</p>  <p>Handrail - 1pc</p>	<p>C3</p>  <p>Table Legs- 2pcs</p>	<p>C4</p>  <p>Table Top- 1pc</p>
<p>D1</p>  <p>Canopy Left Side- 2pcs</p>	<p>D2</p>  <p>slanted shelves 1- 2pcs</p>	<p>D3</p>  <p>slanted shelves 2- 2pcs</p>
<p>D4</p>  <p>slanted shelves 3 - 2pcs</p>	<p>E1</p>  <p>Box Face Board - 1pc</p>	<p>E2</p>  <p>Drawer Sideboard - 4pcs</p>
<p>E3</p>  <p>Drawer Backboard - 2pcs</p>	<p>E4</p>  <p>Drawer Bottom Board - 2pcs</p>	<p>F2</p>  <p>Slat- 10pcs</p>
<p>F3</p>  <p>Drawer Blocker- 2pcs</p>	<p>F4</p>  <p>Box Face Board - 1pc</p>	

Part List(WF303126)

Hardware List

1	 Ø10x40mm Wood dowel (8pcs)	2	 Ø6*80mm Hex-Head screw (8pcs)	3	 Ø1/4"*70mm Hex-Head bolt (12pcs)
4	 Ø1/4" Horizontal-Hole bolt (12pcs)	5	 Ø1/4*30mm Hex-Head screw (3pcs)	6	 Ø1/4"*60mm Hex-Head screw (4pcs)
7	 Ø1/4"*40mm Hex-Head bolt (4pcs)	8	 #4 x 15 mm Screw (32pcs)	9	 #4*30mm Screw (42pcs)
10	 Wheel (8pcs)	11	 #4x25mm Screw (26pcs)	12	 K4mm Allen key (1pc)

ASSEMBLY TOOLS REQUIRED (NOT INCLUDED)



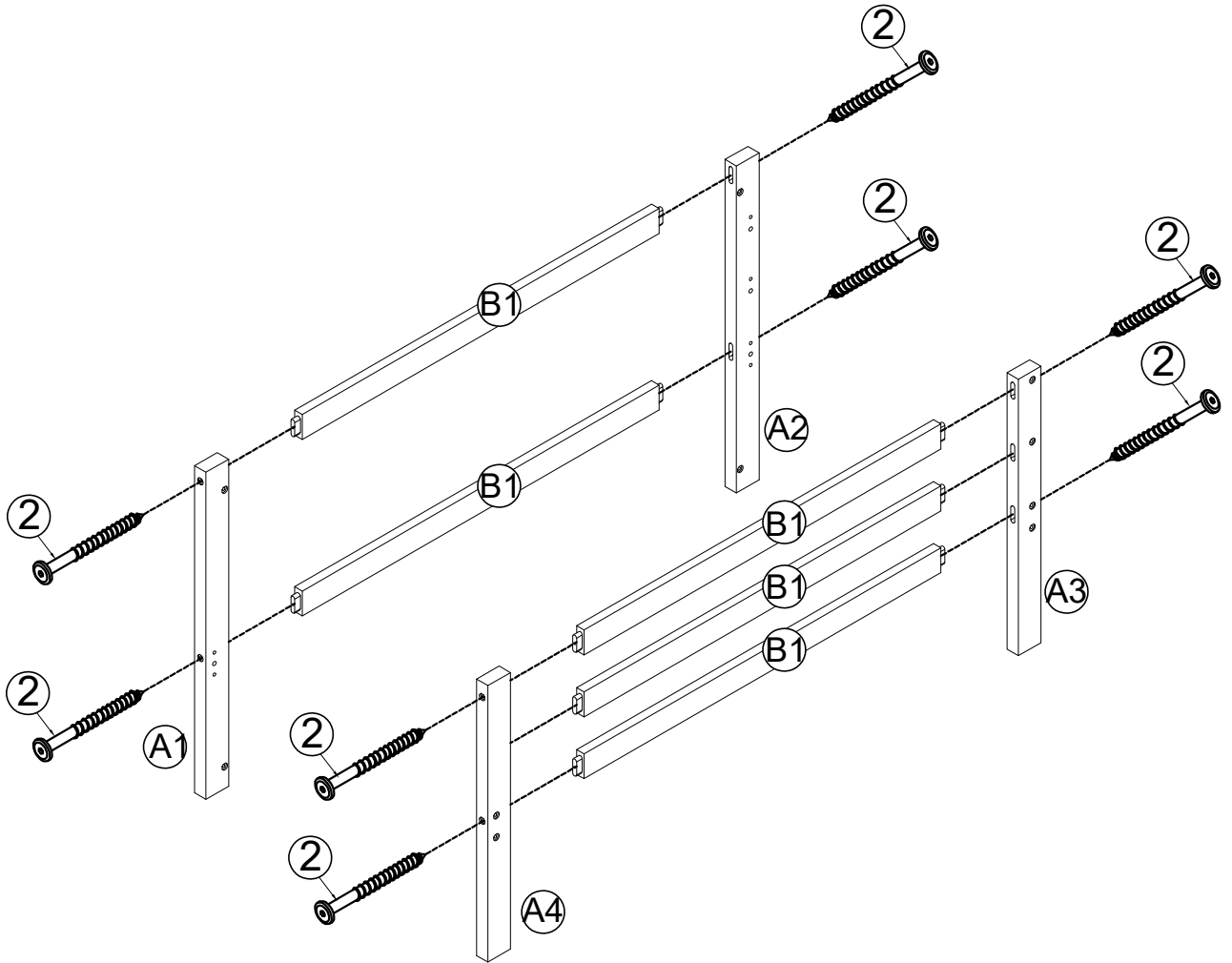
PLEASE BE CAREFUL DO NOT DAMAGE THE HOLE POSITION WHEN YOU USE POWER TOOLS !

STEP 1






2

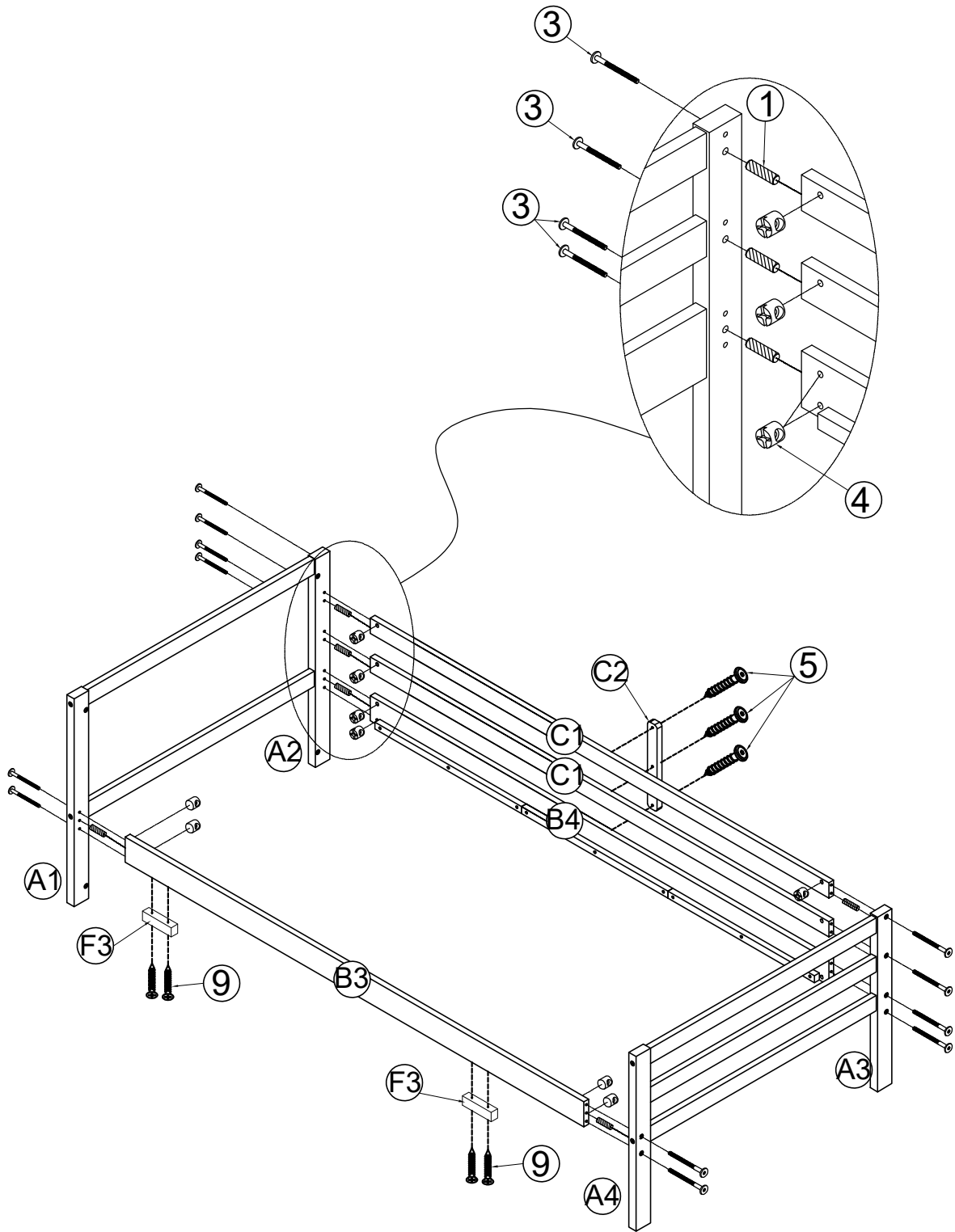


8PCS





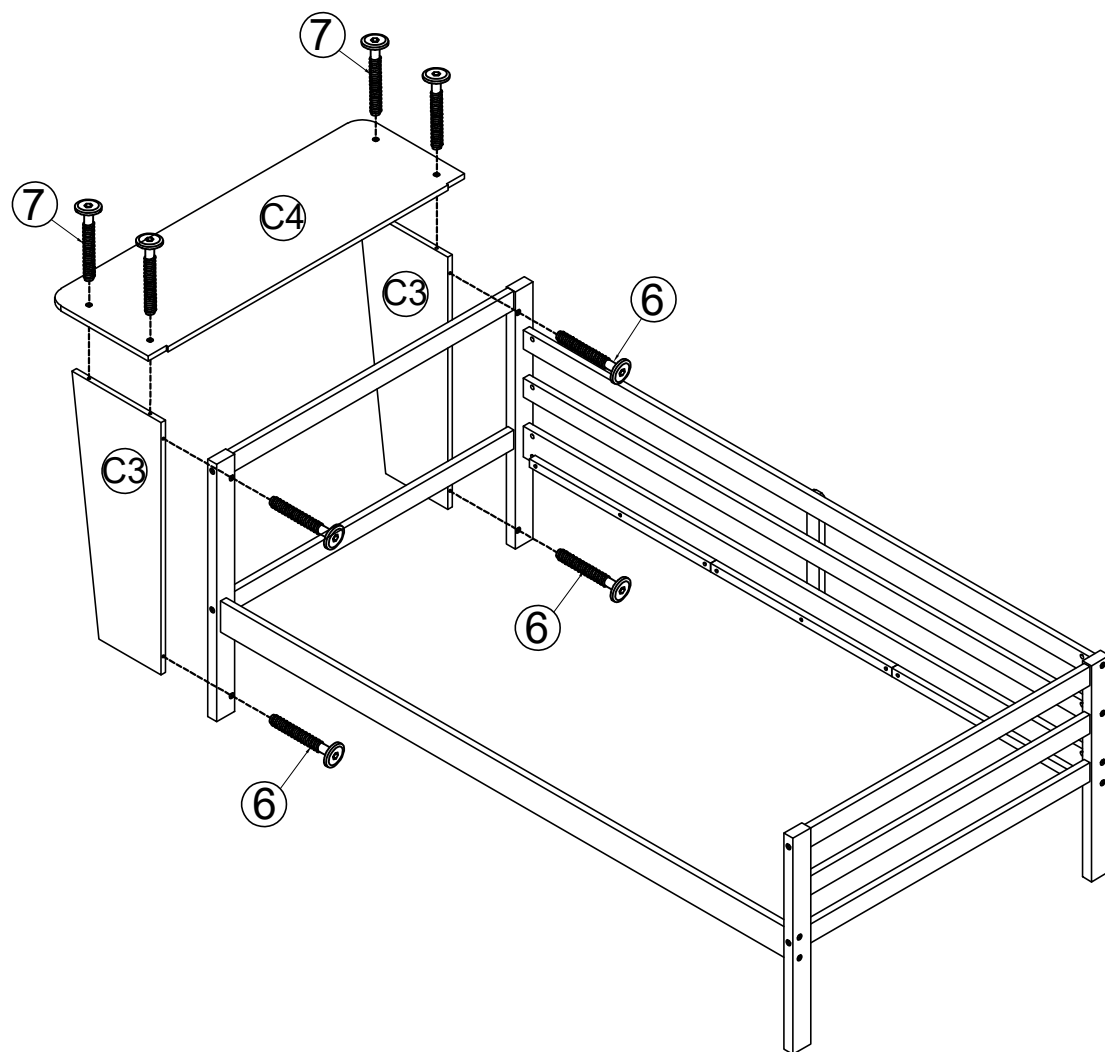
STEP 2

9	5	1	3	4
				
4PCS	3PCS	8PCS	12PCS	12PCS



STEP 3

6	7
	
4pcs	4pcs

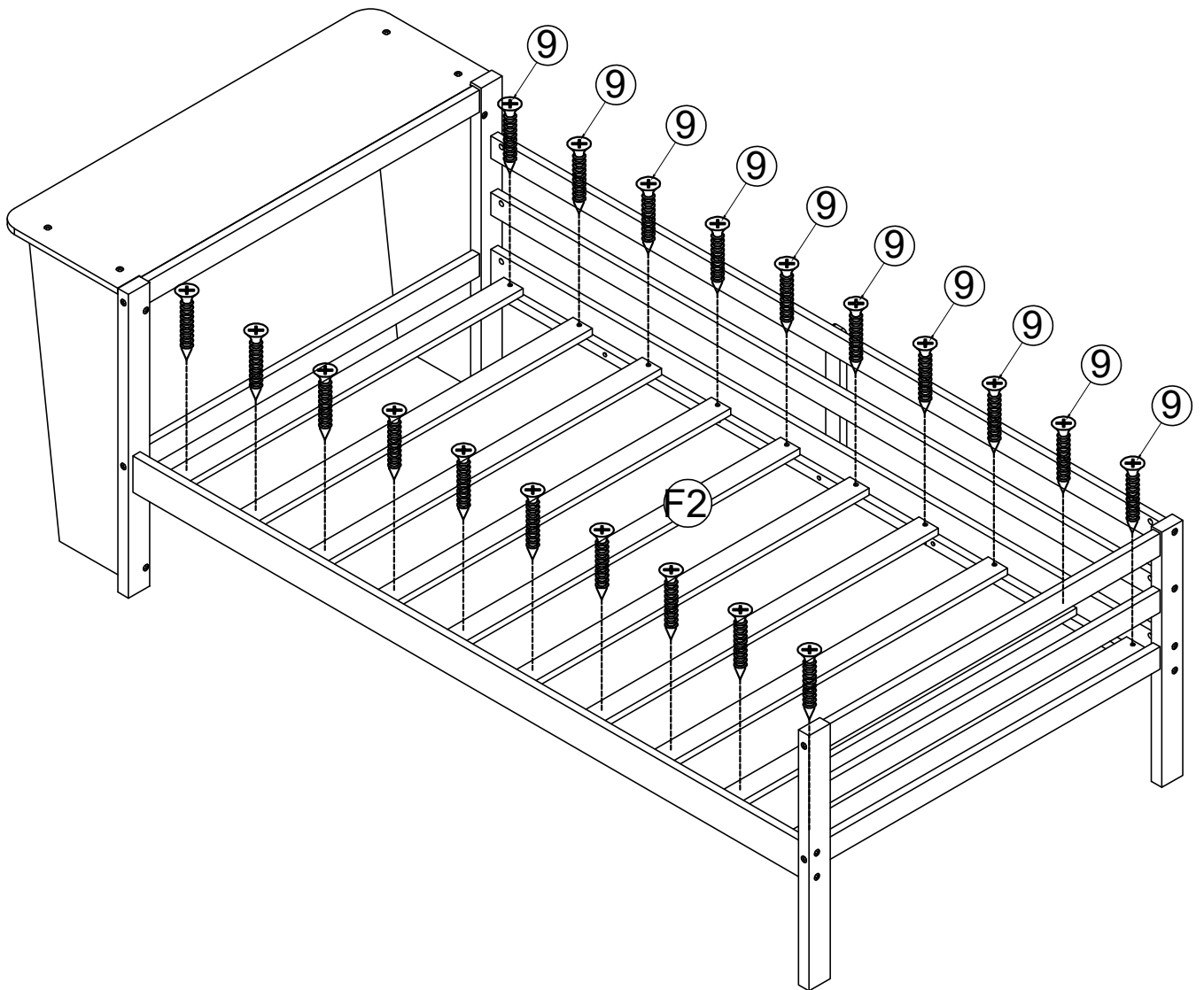


STEP 4

9



20PCS

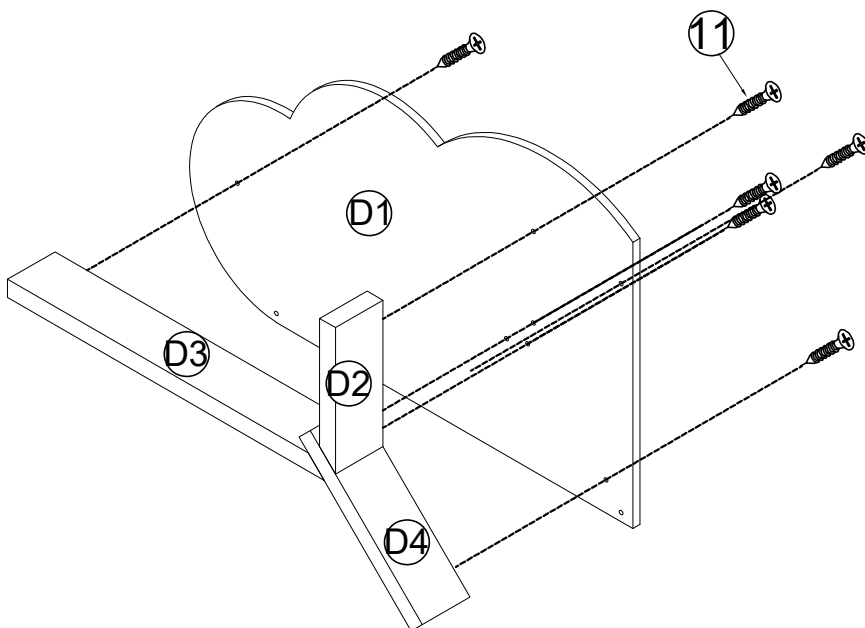
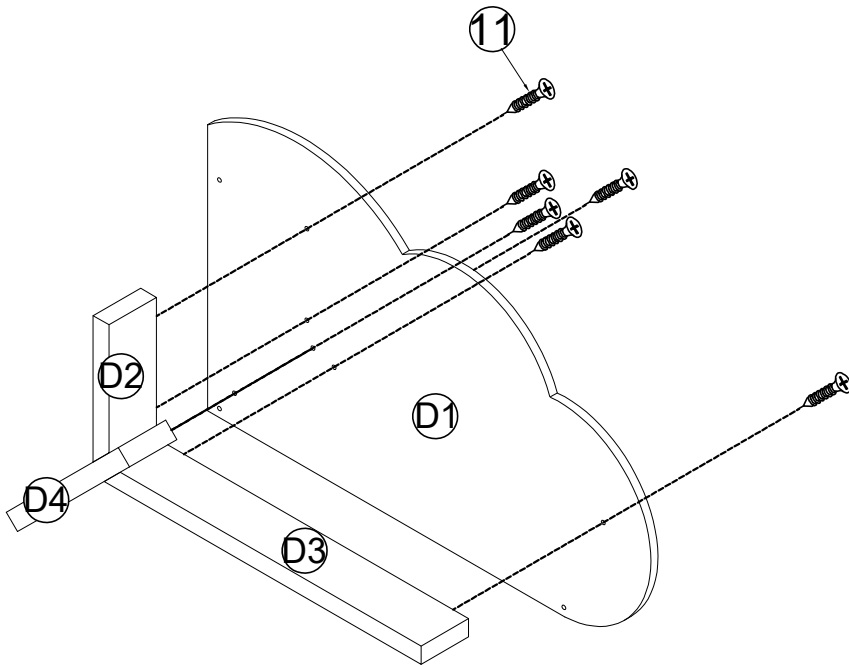
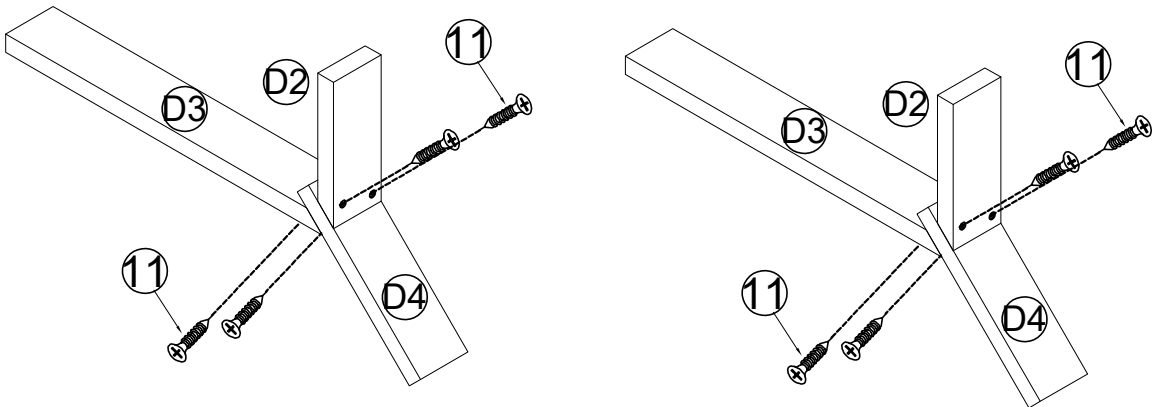


STEP 5

11



20PCS

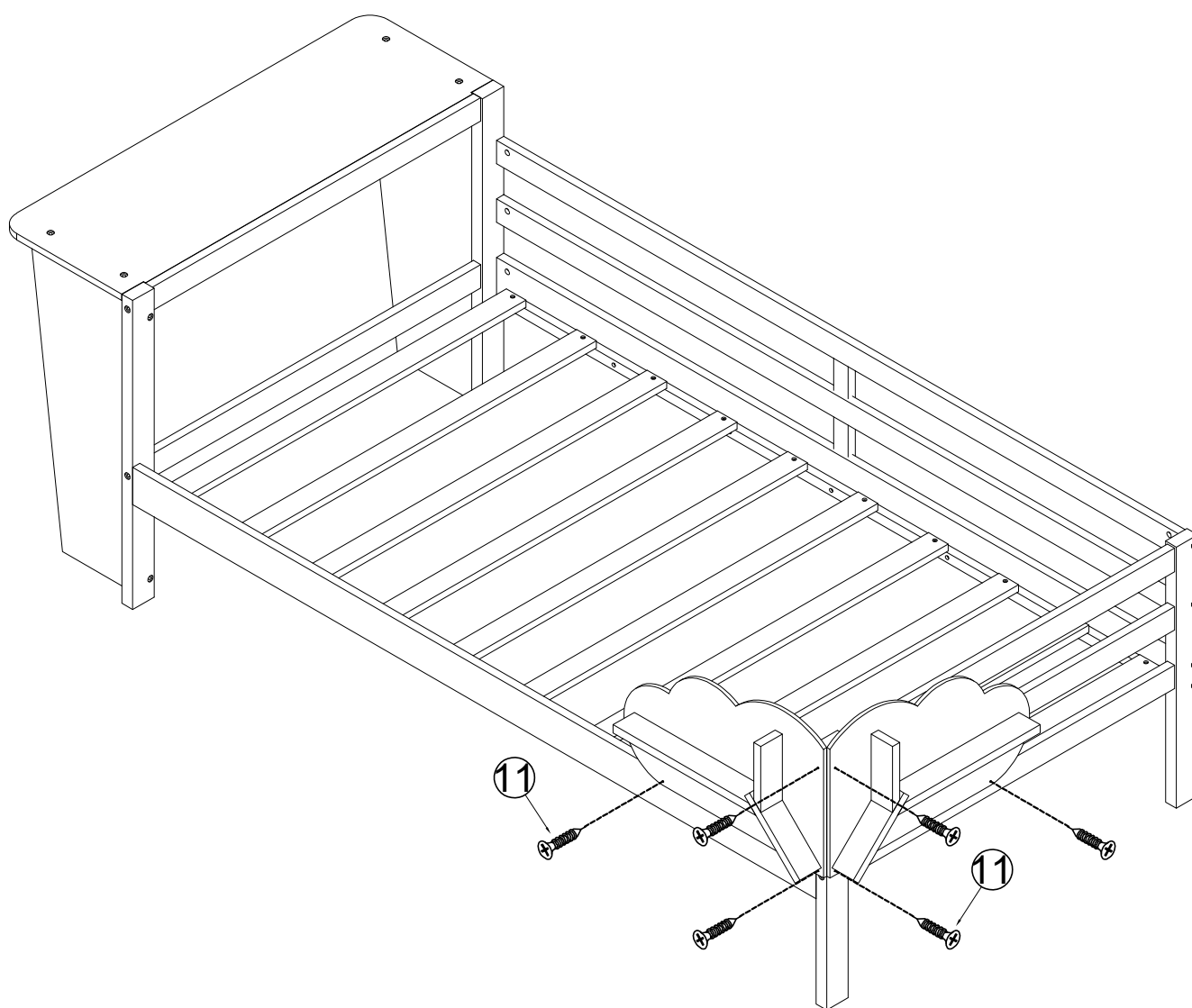


STEP 6

11



6PCS

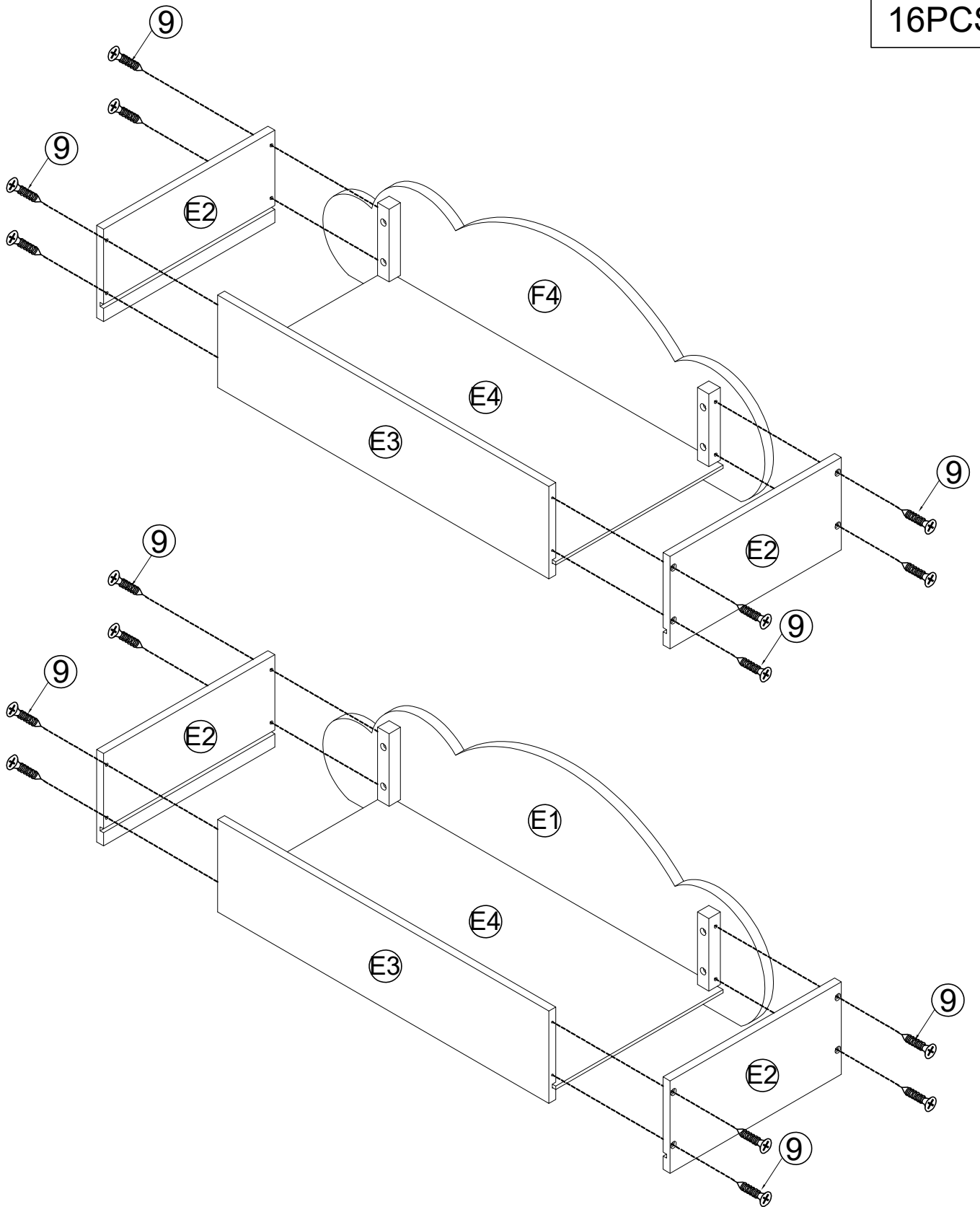


STEP 7




9

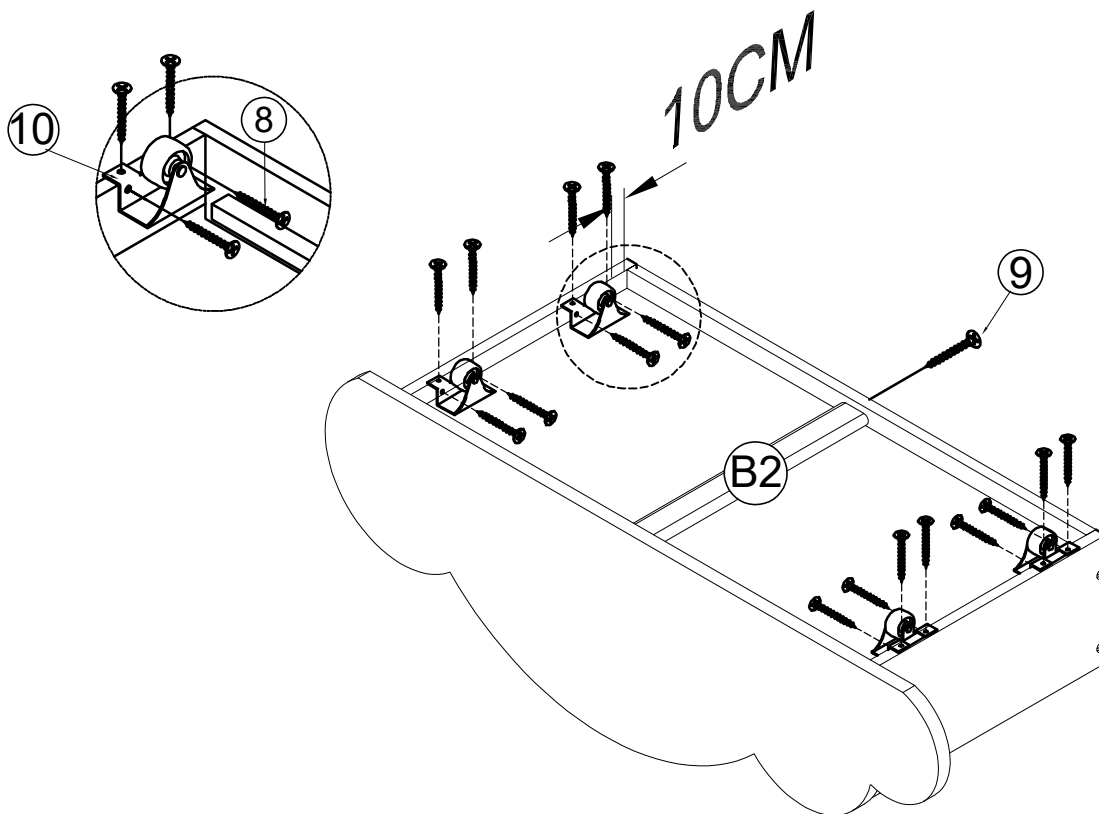
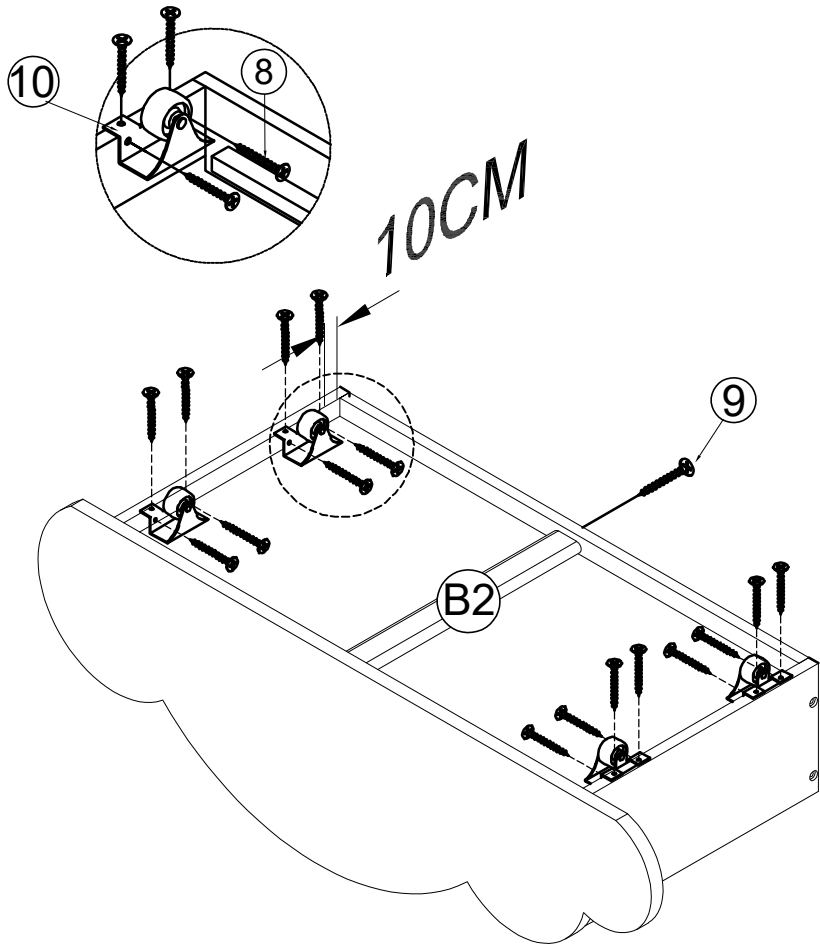


16PCS



STEP 8

9	10	8
		
2PCS	8PCS	32PCS



COMPLETED

