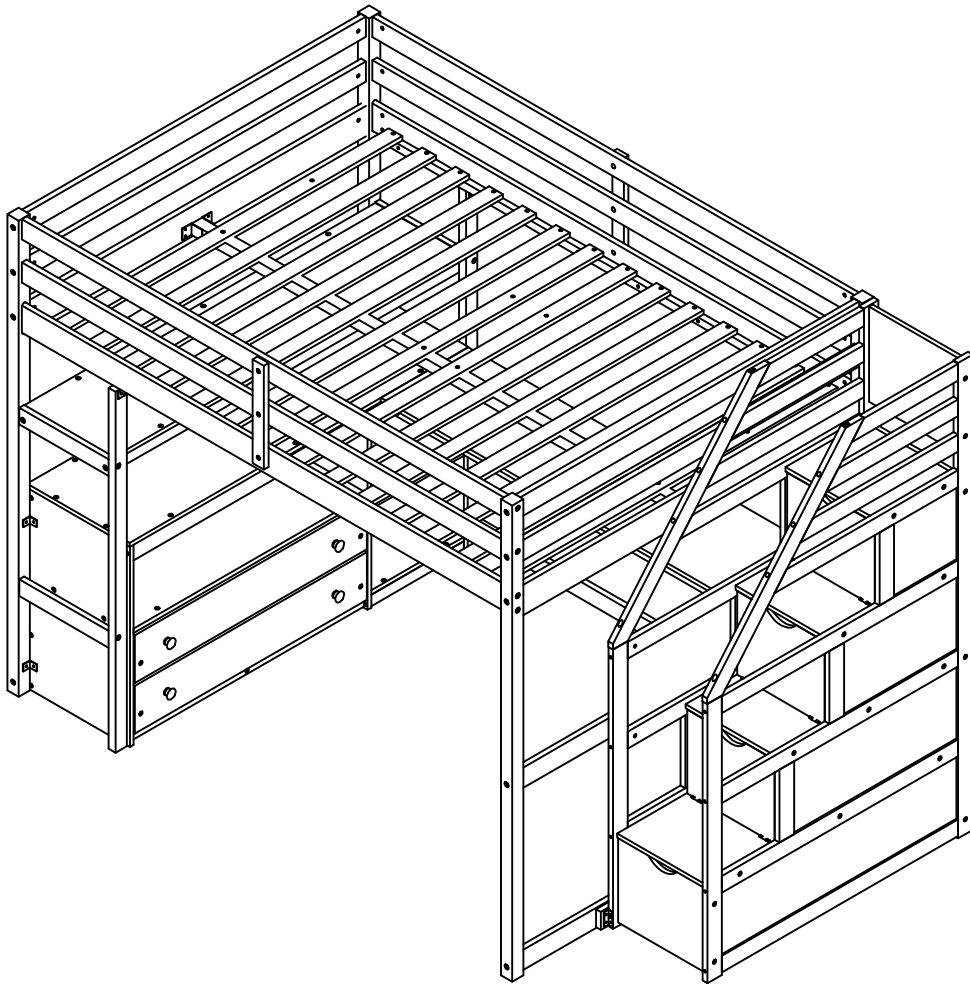


ASSEMBLY INSTRUCTIONS

FULL LOFT BED WITH DESK AND STAIR



WF301678/WF301679/WF301680

SAFETY WARNINGS AND GENERAL NOTES:

Follow the information on the warnings on the loft bed end structure and on the carton. Do not remove the warning label from the bed. Always use the recommended size mattress on mattress support, or both, to help prevent the likelihood of entrapment or falls.

The top surface of the mattress must be at least 5*inch (127mm) below the upper edge of the guardrail.

Do not allow children under 6 years of age to use the upper bunk.

Periodically check and ensure the guardrail, ladder and other components are in their proper position, free from damage, and all connectors are tight.

Do not allow horseplay on or under beds.

Always prohibit jumping on the bed.

Prohibit more than one person on upper bunk.

Always use the ladder for entering and leaving the upper bunk.

Do not use substitute parts. Contact the manufacturer or dealer for replacement parts.

Use of a night-light may provide added safety precaution for a child using the upper bunk.

Always use guardrails on both long sides of the upper bunk.

If the loft bed will be placed next to a wall, the guardrail that runs the full length of the bed should be placed against the wall to prevent entrapment between the bed and the wall.

The use of water or sleep flotation mattresses is prohibited.

STRANGULATION HAZARD-Never attach or hang items to any part of the loft bed that are not designed for use with the bed.

Keep these instructions for future reference.

We recommend assembling your loft bed on the shipping carton to protect your floor or carpet.

Be certain all staples are out of the box before beginning assembly on the shipping carton.

USE ONLY MATTRESSES WHICH ARE 74"-75" LONG AND 54" WIDE ON UPPER AND ON LOWER BUNKS. ENSURE THICKNESS OF MATTRESS DOES NOT EXCEED 6".

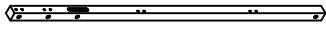
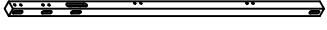
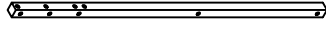
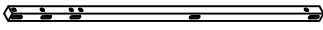
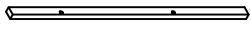
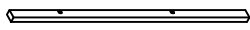

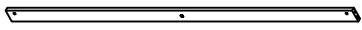

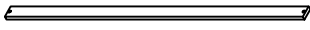
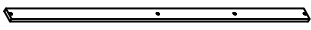
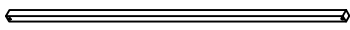
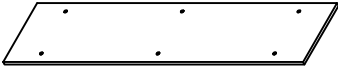
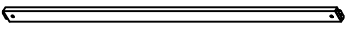
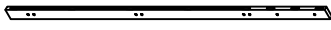
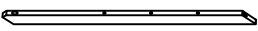

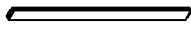

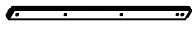




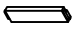
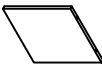
SURFACE OF MATTRESS MUST BE AT LEAST 5" (127MM) BELOW THE UPPER EDGE OF GUARDRAILS.

Replacement Parts:

Replacement Parts, including additional guardrails, may be obtained from any of our (GIGACLOUD TECHNOLOGY (USA) INC. 18961 ARENTH AVENUE, CITY OF INDUSTRY , CA, 91748.) dealers

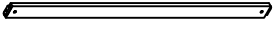
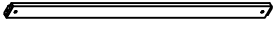

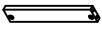
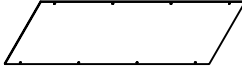
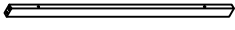





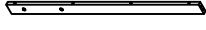

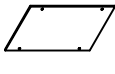
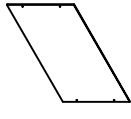

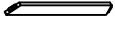
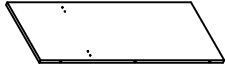
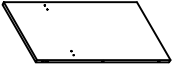
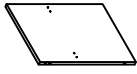
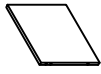

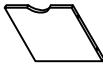
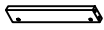
Part List

WF301678

<p>C</p>  <p>Leg (Left Front) - 1pc</p>	<p>C1</p>  <p>Leg (Left Back) - 1pc</p>	<p>C2</p>  <p>Leg (Right Front) - 1pc</p>
<p>C3</p>  <p>Leg (Right Back) - 1pc</p>	<p>D</p>  <p>Leg (Left Front) - 1pc</p>	<p>D1</p>  <p>Leg (Left Back) - 1pc</p>
<p>H</p>  <p>Side rail - 2pcs</p>	<p>I</p>  <p>Upper long guard rail - 4pcs</p>	<p>J</p>  <p>Vertical guard rail - 2pcs</p>
<p>K</p>  <p>Slat - 10pcs</p>	<p>K1</p>  <p>Slat - 4pcs</p>	<p>L</p>  <p>Lower support slat - 1pc</p>
<p>M</p>  <p>Top panel (Back) - 1pc</p>	<p>N1</p>  <p>Lower horizontal bar (back) - 1pc</p>	<p>S1</p>  <p>Vertical guard (Left Back)) - 1pc</p>
<p>S2</p>  <p>Guard side - 2pcs</p>	<p>S4</p>  <p>Vertical guard (Right Back) - 1pc</p>	<p>T</p>  <p>Lower horizontal bar - 2pcs</p>
<p>T1</p>  <p>Divider horizontal bar (Left) - 1pc</p>	<p>T2</p>  <p>Divider horizontal bar (Left) - 1pc</p>	<p>T3</p>  <p>Upper horizontal bar (Left) - 1pc</p>
<p>T4</p>  <p>Divider horizontal bar (Right) - 1pc</p>	<p>T5</p>  <p>Divider horizontal bar (Right) - 1pc</p>	<p>T6</p>  <p>Upper horizontal bar (Right) - 1pc</p>
<p>U</p>  <p>Vertical guard - 6pcs</p>	<p>Y2</p>  <p>Upper back panel - 1pc</p>	

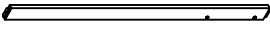
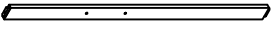
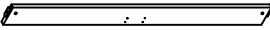
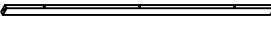
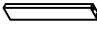
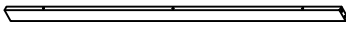







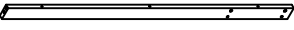
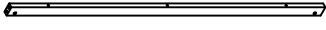
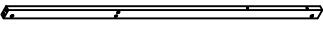
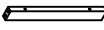
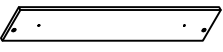







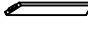
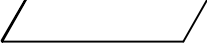
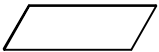
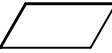
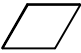
Part List

Hardware List WF301679



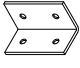
<p>A</p>  <p>Horizontal bar HB/FB - 3pcs</p>	<p>A3</p>  <p>Upper horizontal bar HB/FB - 2pcs</p>	<p>F</p>  <p>Top panel HB - 1pc</p>
<p>G</p>  <p>Upper horizontal bar HB (Front/Back) - 2pcs</p>	<p>O7</p>  <p>Back panel - 2pcs</p>	<p>P1</p>  <p>Divider horizontal bar (front/back) - 2pcs</p>
<p>P2</p>  <p>Lower horizontal bar (front) - 2pcs</p>	<p>P4</p>  <p>Lower horizontal bar (back) - 1pc</p>	<p>Q</p>  <p>Support drawer - 2pcs</p>
<p>R3</p>  <p>Drawer bottom - 2pcs</p>	<p>S</p>  <p>Vertical guard (Left Front) - 1pc</p>	<p>S3</p>  <p>Vertical guard (Right Front) - 1pc</p>
<p>S5</p>  <p>Support horizontal bar - 1pc</p>	<p>V3</p>  <p>Divider side panel - 1pc</p>	<p>V5</p>  <p>Back panel - 2pcs</p>
<p>W2</p>  <p>Upper horizontal bar (Left) - 1pc</p>	<p>W6</p>  <p>Upper horizontal bar (Right) - 1pc</p>	<p>X</p>  <p>Lower step ladder panel -1pc</p>
<p>X1</p>  <p>Divider step ladder panel -1pc</p>	<p>X2</p>  <p>Divider step ladder panel -1pc</p>	<p>X3</p>  <p>Upper step ladder panel -1pc</p>
<p>Y</p>  <p>Upper front panel - 3pcs</p>	<p>Y1</p>  <p>Lower front panel - 1pc</p>	<p>Z</p>  <p>Horizontal bar (Back) - 3pcs</p>

Part List

WF301680

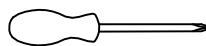
<p>A1</p>  <p>Horizontal bar FB - 1pc</p>	<p>A2</p>  <p>Lower horizontal bar FB - 1pc</p>	<p>B</p>  <p>Horizontal bar FB - 2pcs</p>
<p>E</p>  <p>Horizontal bar HB - 2pcs</p>	<p>G1</p>  <p>Lower horizontal bar HB (Front/Back) - 2pcs</p>	<p>N</p>  <p>Horizontal bar (Front/Back) - 2pcs</p>
<p>O</p>  <p>Top panel - 1pc</p>	<p>O1</p>  <p>Side panel (Left) - 1pc</p>	<p>O2</p>  <p>Side panel (Right) - 1pc</p>
<p>O3</p>  <p>Divider panel - 1pc</p>	<p>O4</p>  <p>Shelf panel - 1pc</p>	<p>O5</p>  <p>Shelf panel - 1pc</p>
<p>O6</p>  <p>Bottom panel - 1pc</p>	<p>P</p>  <p>Upper horizontal bar (front) - 1pc</p>	<p>P3</p>  <p>Upper horizontal bar (back) - 1pc</p>
<p>P5</p>  <p>Lower horizontal bar (back) - 1pc</p>	<p>P6</p>  <p>Lower horizontal bar (Right front) - 1pc</p>	<p>R</p>  <p>Drawer front - 2pcs</p>
<p>R1</p>  <p>Drawer (left/right) - 4pcs</p>	<p>R2</p>  <p>Drawer back - 2pcs</p>	<p>W</p>  <p>Upper horizontal bar (Left) - 1pc</p>
<p>W1</p>  <p>Upper horizontal bar (Left) - 1pc</p>	<p>W3</p>  <p>Upper horizontal bar (Left) - 1pc</p>	<p>W4</p>  <p>Upper horizontal bar (Right) - 1pc</p>
<p>W5</p>  <p>Upper horizontal bar (Right) - 1pc</p>	<p>W7</p>  <p>Upper horizontal bar (Right) - 1pc</p>	<p>V</p>  <p>Lower side panel - 2pcs</p>
<p>V1</p>  <p>Divider side panel - 2pcs</p>	<p>V2</p>  <p>Divider side panel - 2pcs</p>	<p>V4</p>  <p>Upper side panel - 2pcs</p>

Hardware List WF301679

1  Ø8*30mm Wood dowel (60pcs)	2  (Ø15)1/4"*100mm Hex-Head bolts (32pcs)	3  (Ø15)1/4"*80mm Hex-Head bolts (23pcs)
4  (Ø12)1/4"*60mm Hex-Head bolts (95pcs)	5  (Ø12)1/4"*30mm Hex-Head bolts (8pcs)	6  1/4"*15 (9.5mm) Horizontal-hole bolts(150pcs)
7  Ø3.5*15mm Wood screws (28pcs)	8  (Ø12)1/4"*65mm Hex-Head bolts (18pcs)	9  (Ø12)1/4"*40mm Hex-Head bolts (26pcs)
10  (1/4")4.5*58mm Allen key (2pcs)	11  Ø4*30mm Wood screws (32pcs)	12  340*30mm Upper slider drawer (2pcs)
13  Ø3.5*15mm Wood screws (38pcs)	14  3/16"*25mm Ph zinc(Knob) (4pcs)	15  Ø10*40mm Wood dowel (8pcs)
16  Ø38*31mm Pine Knob (4pcs)	17  50*24*24*2mm Metal bracket (2pcs)	18  45*17*13mm Door catch (3pcs)
19  42*12*1mm Metal magnet (3pcs)	20  24*28*28*2mm Metal bracket (6pcs)	21  Ø3.5*12mm Wood screws (24pcs)
22  (Ø13)1/4"*14mm Connect bolt (2pcs)	23  116*40*27mm Metal bracket (2pcs)	24  (Ø12)1/4"*40mm Hex-Head bolts (2pcs)
25  40*18*18*2mm Metal bracket (1pc)		

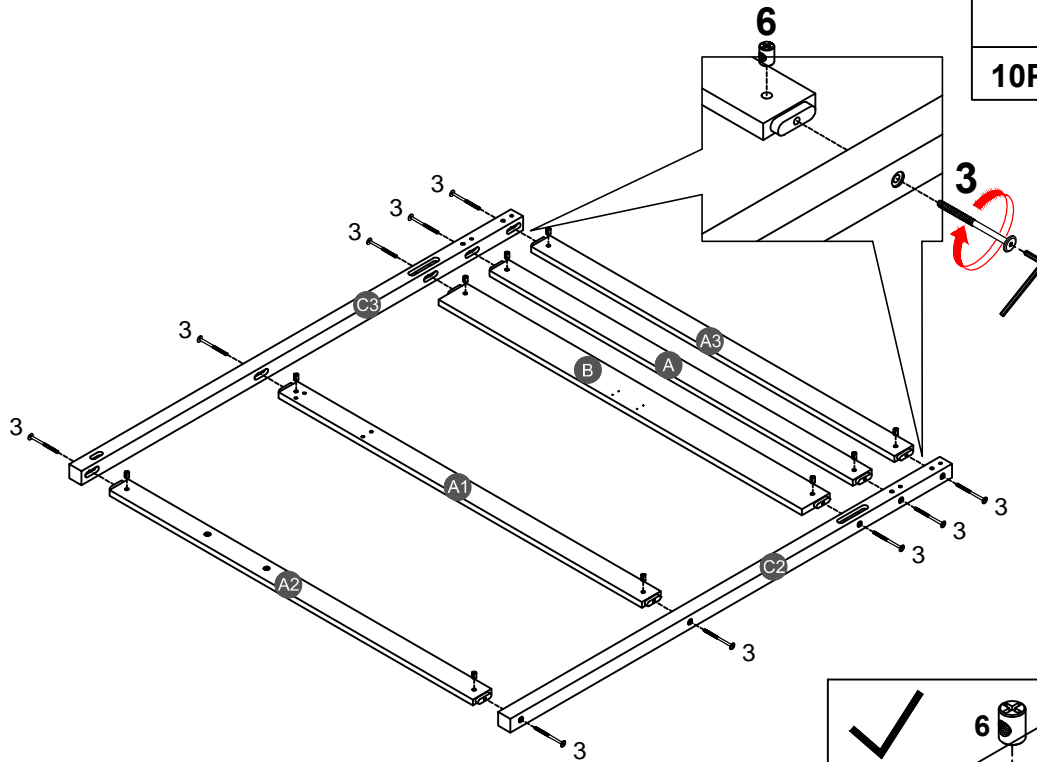


ASSEMBLY TOOLS REQUIRED (NOT INCLUDED)



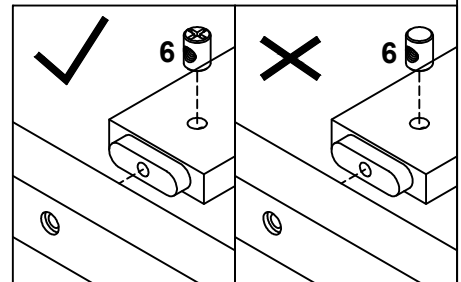
PLEASE BE CAREFUL DO NOT DAMAGE THE HOLE POSITION WHEN YOU USE POWER TOOLS !

STEP 1:

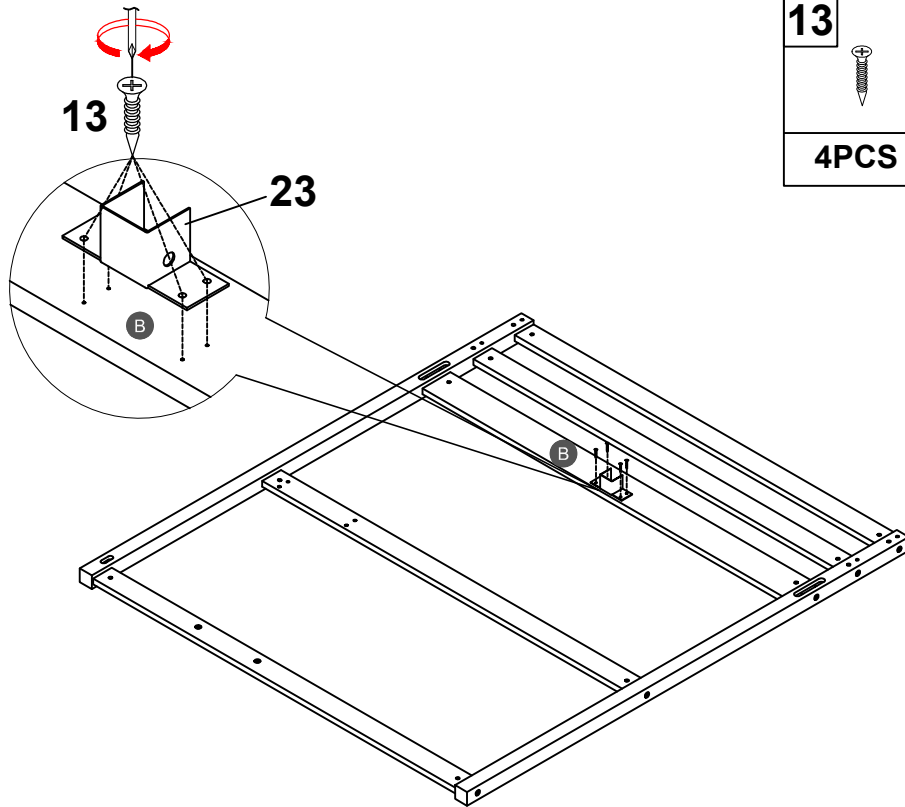


3		6	
10PCS		10PCS	

Note: Part 6 will face up with the "x" mark on it, otherwise it cannot be tightened

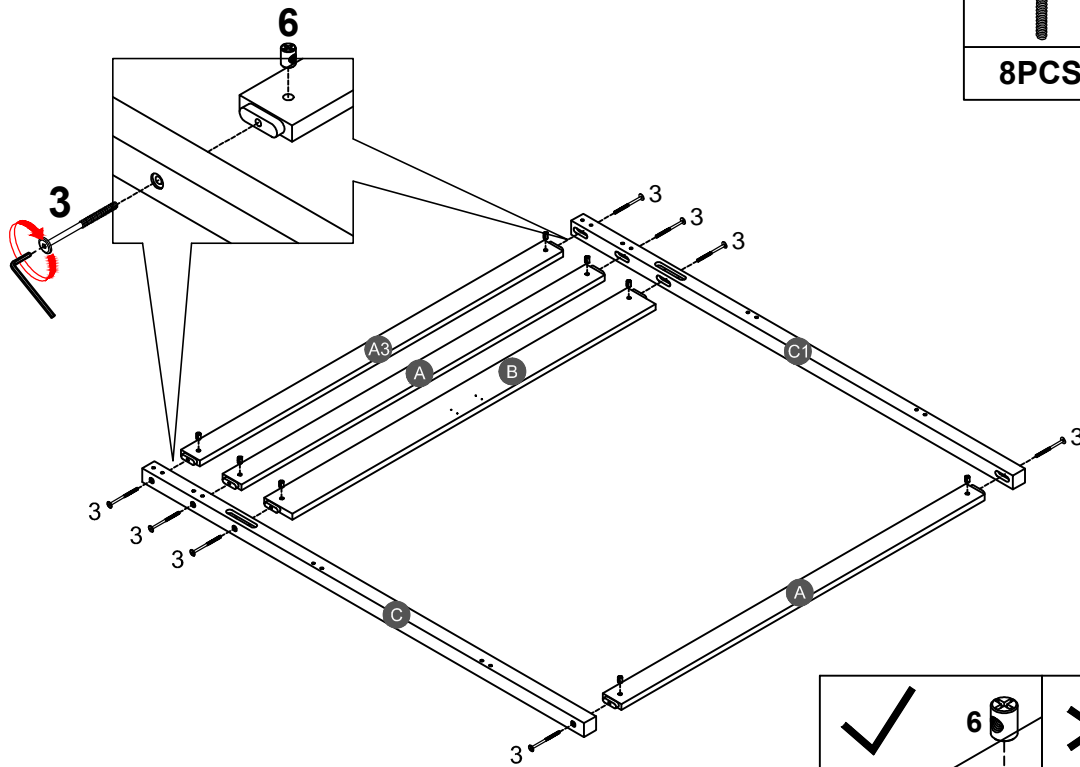




STEP 2:



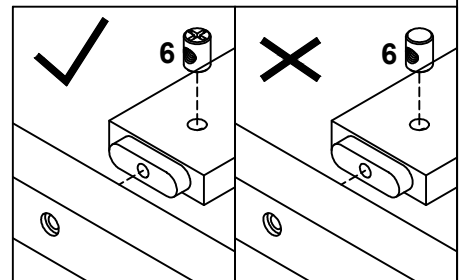
13		23	
4PCS		1PC	

STEP 3:

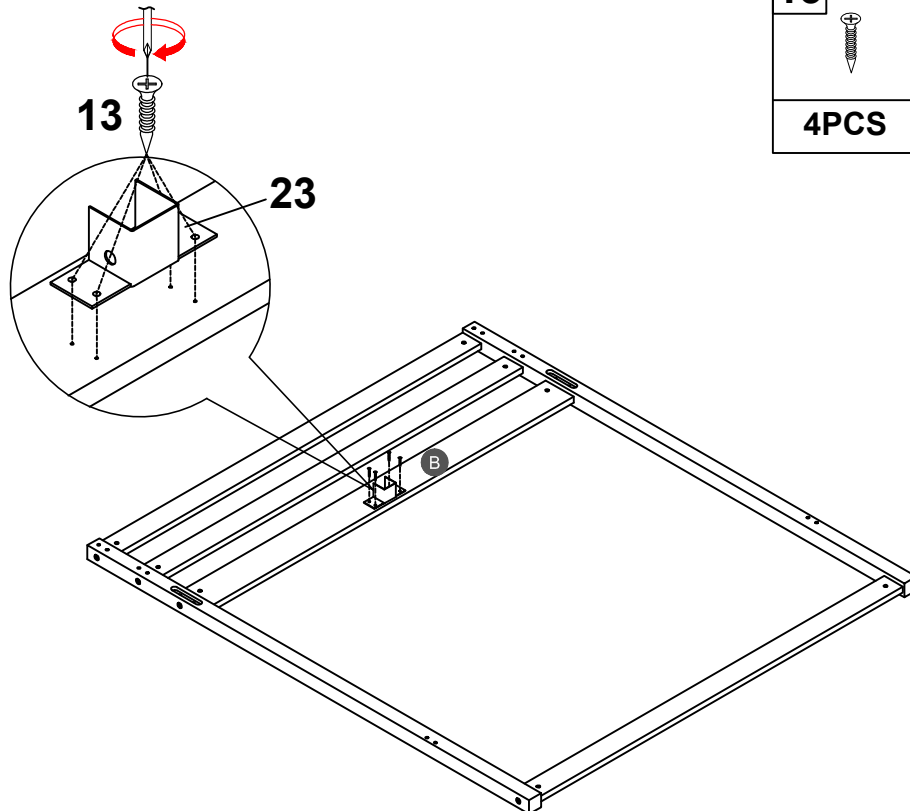



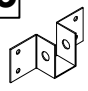
3		6	
8PCS		8PCS	

Note: Part 6 will face up with the "x" mark on it, otherwise it cannot be tightened





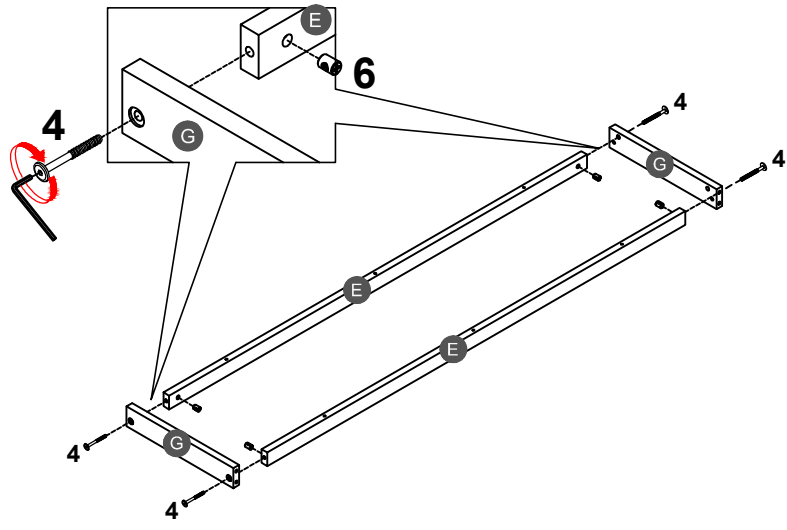
STEP 4:







13		23	
4PCS		1PC	

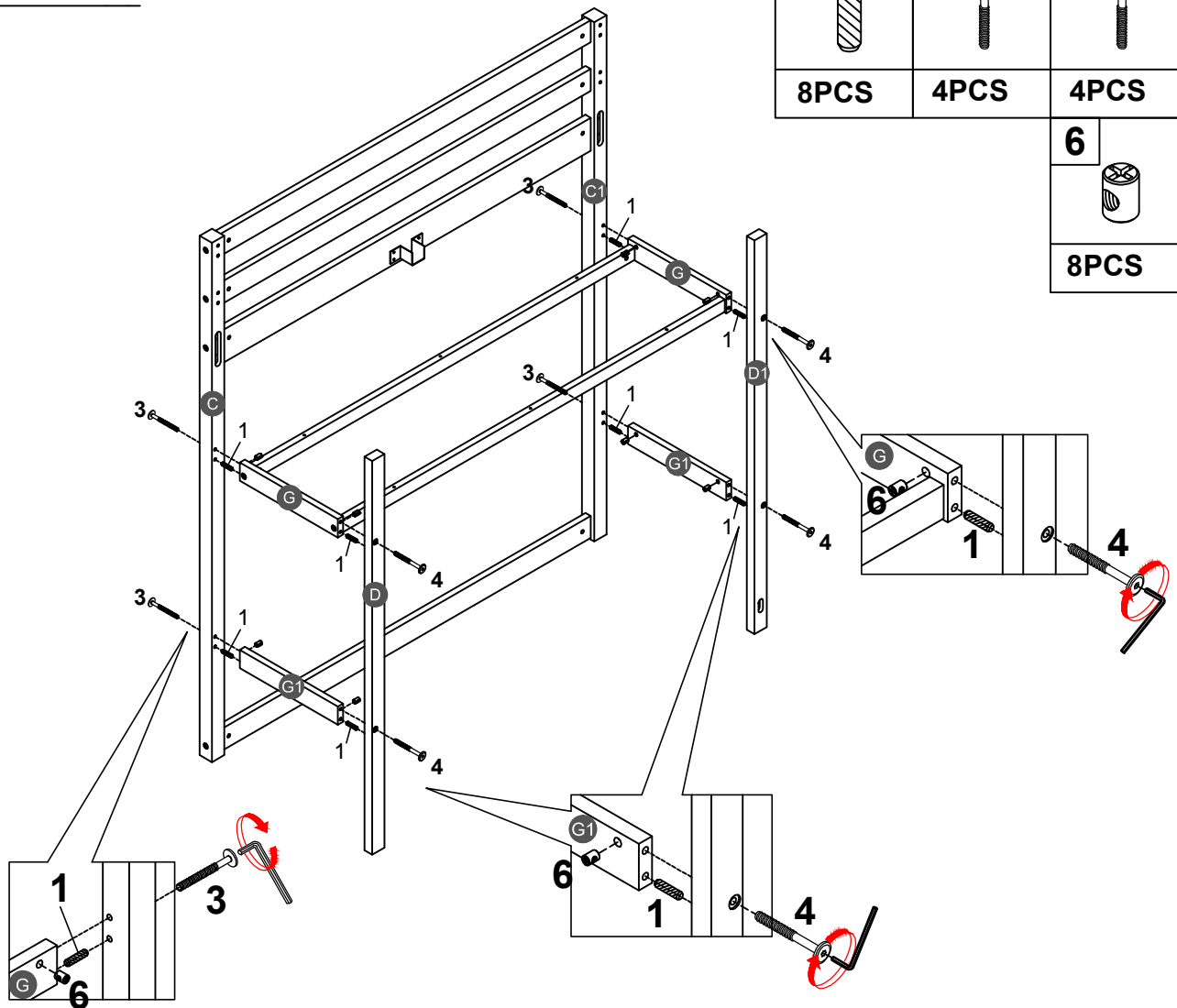
STEP 5:

4		6	
4PCS		4PCS	

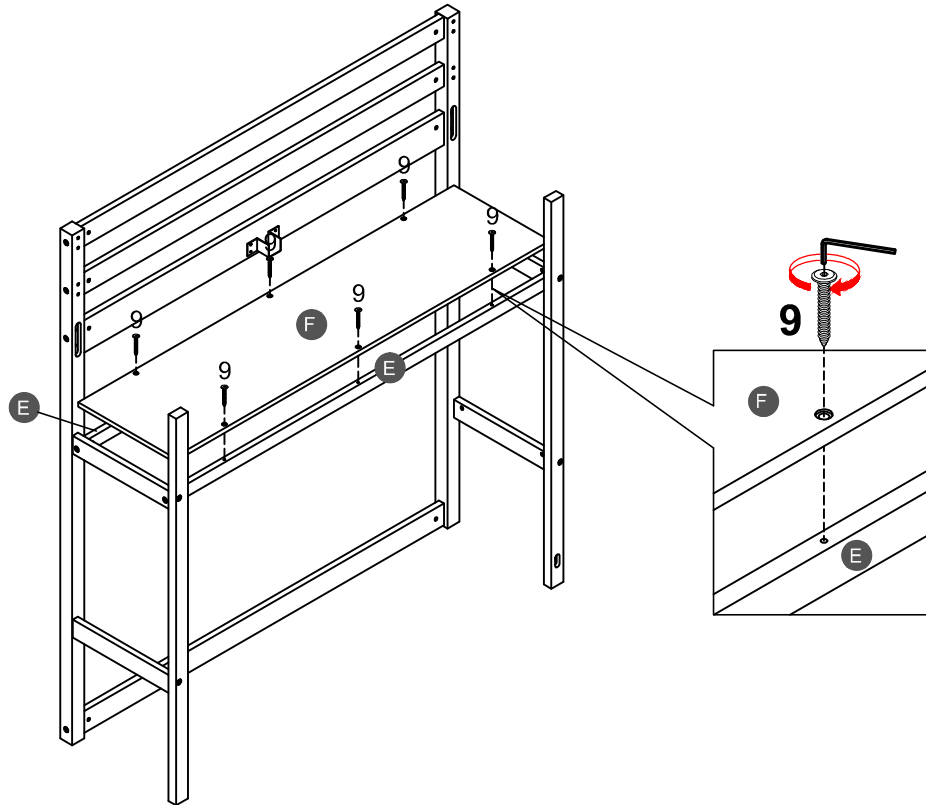



STEP 6:

1		3		4	
8PCS		4PCS		4PCS	
				6	
				8PCS	

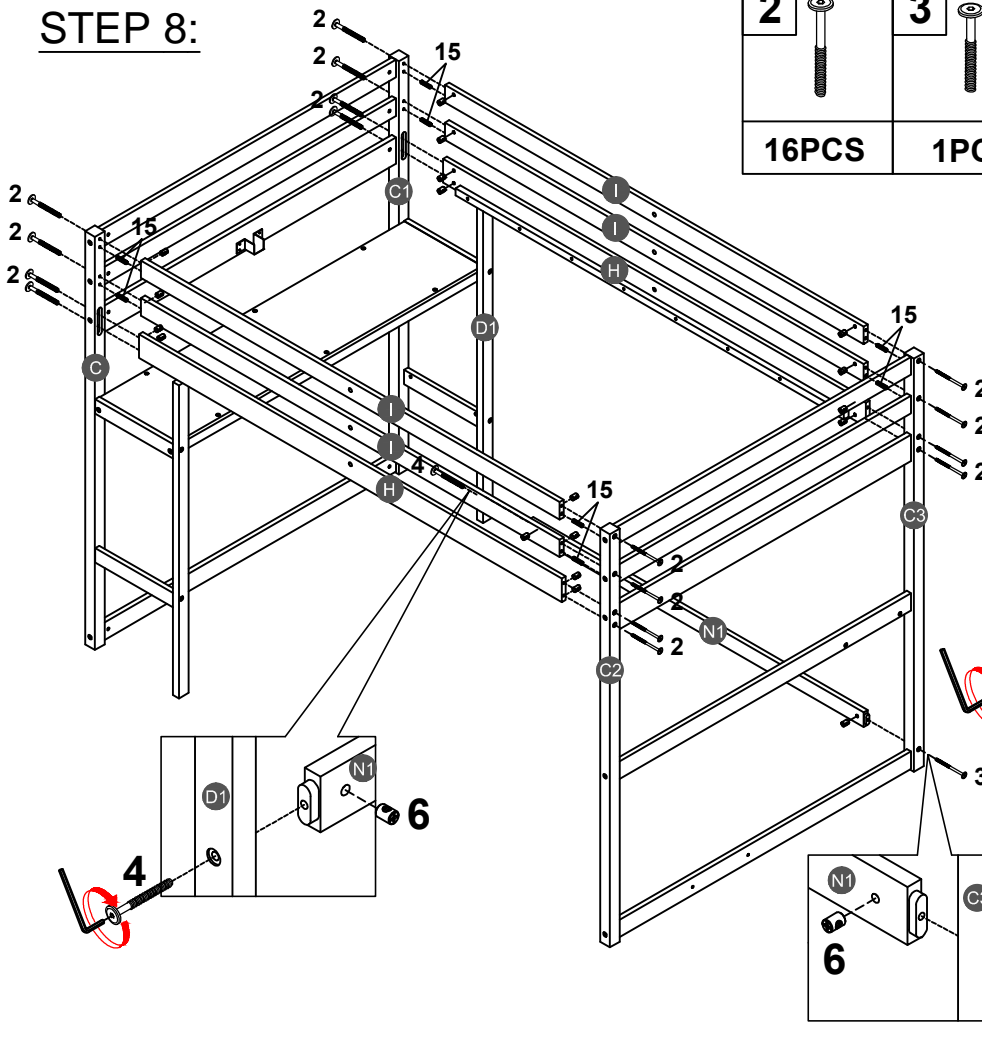






STEP 7:

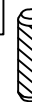


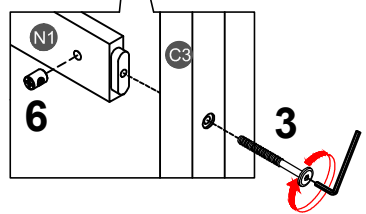
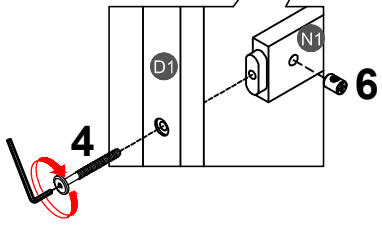
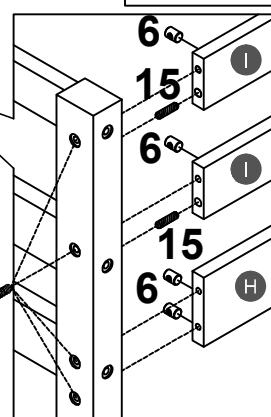
9	
6PCS	

STEP 8:



2		3		4		6	
16PCS		1PC		1PC		18PCS	

15	
8PCS	

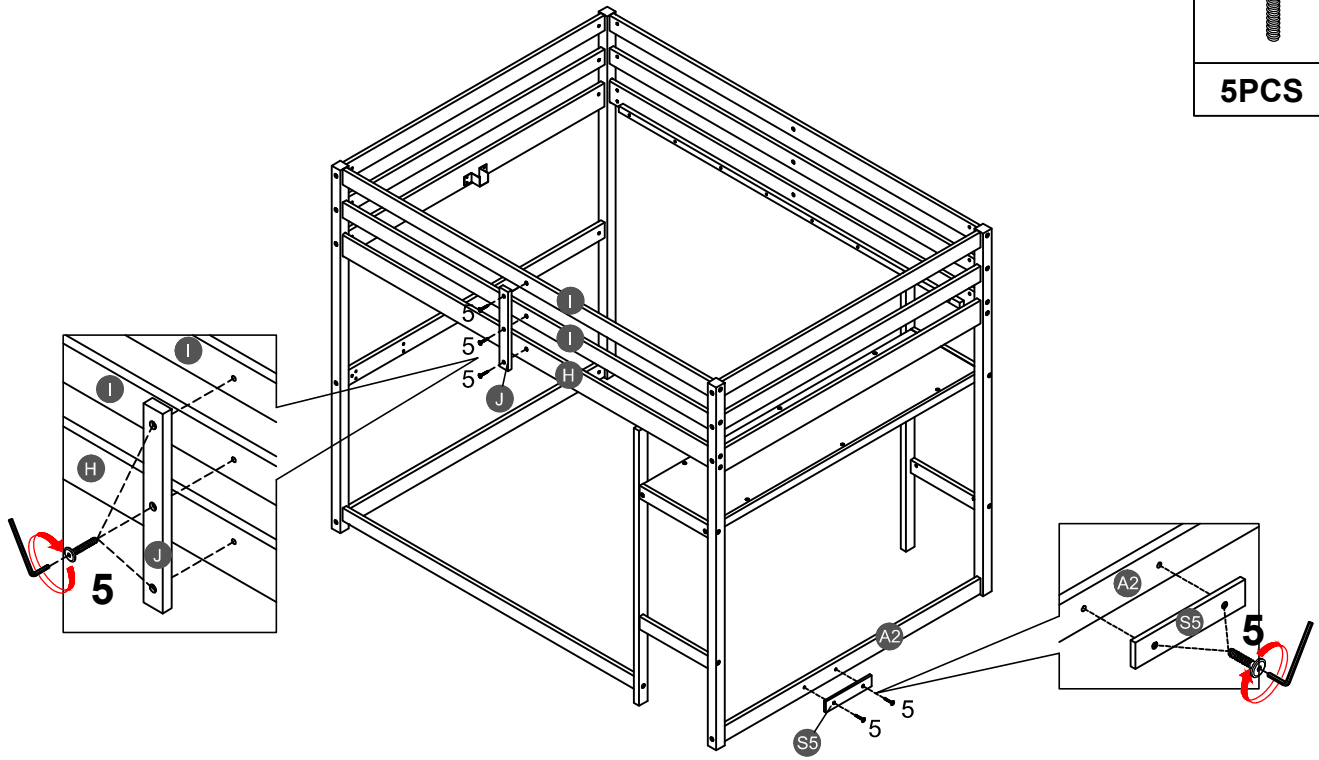


STEP 9:

5



5PCS



STEP 10:

5



3PCS

13

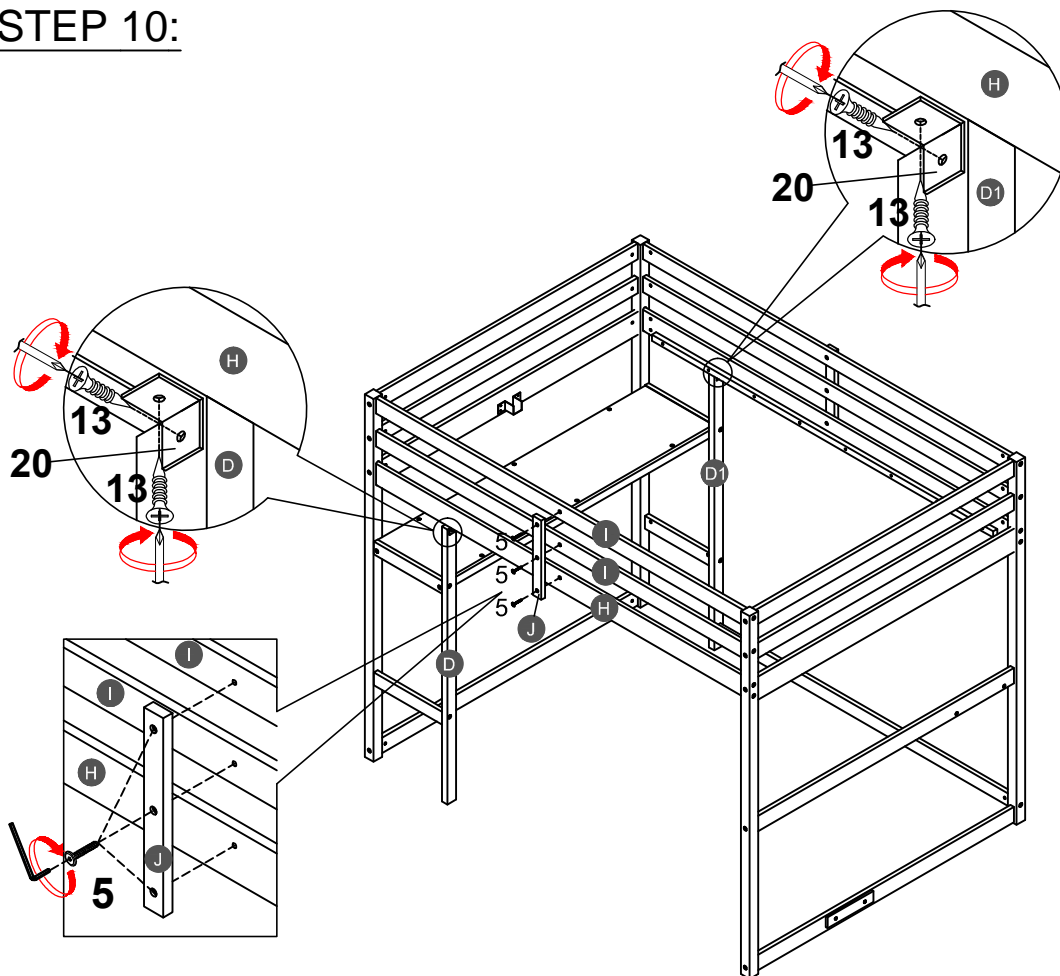


4PCS

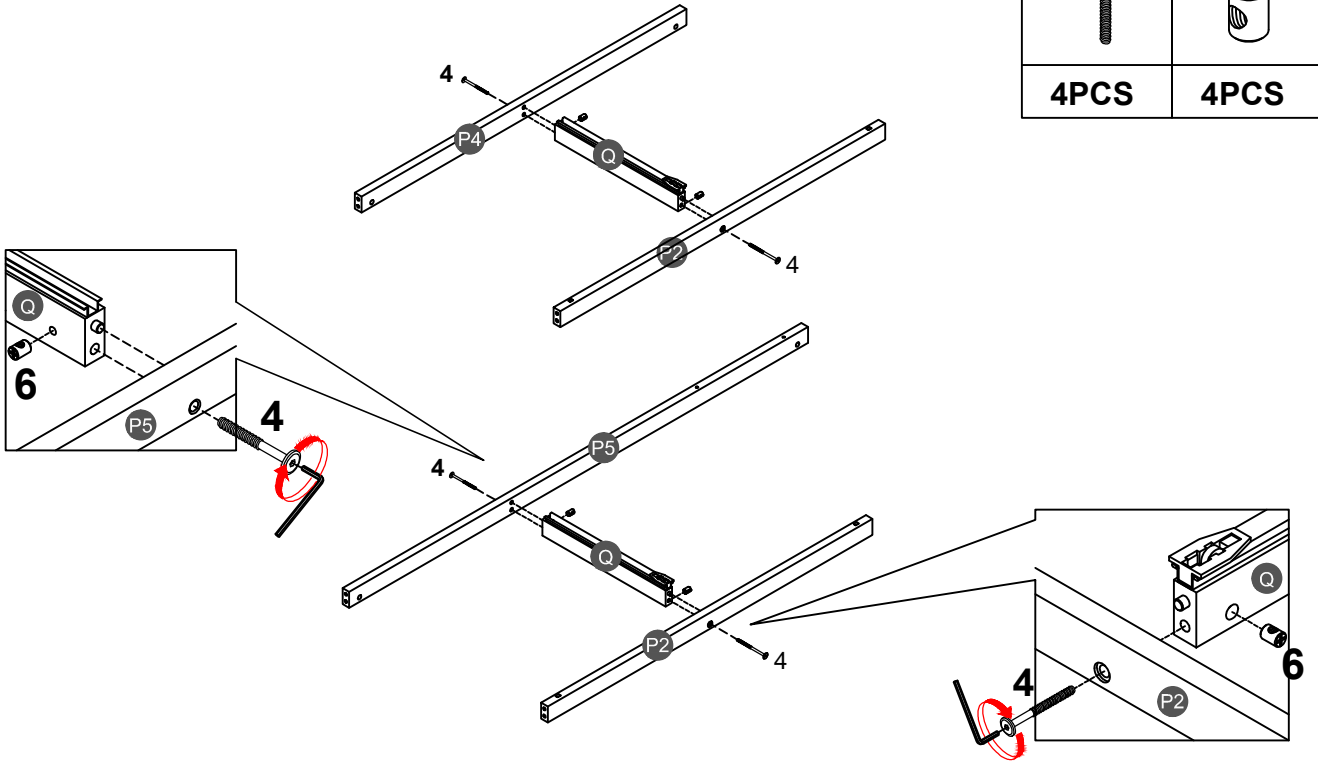
20



2PCS

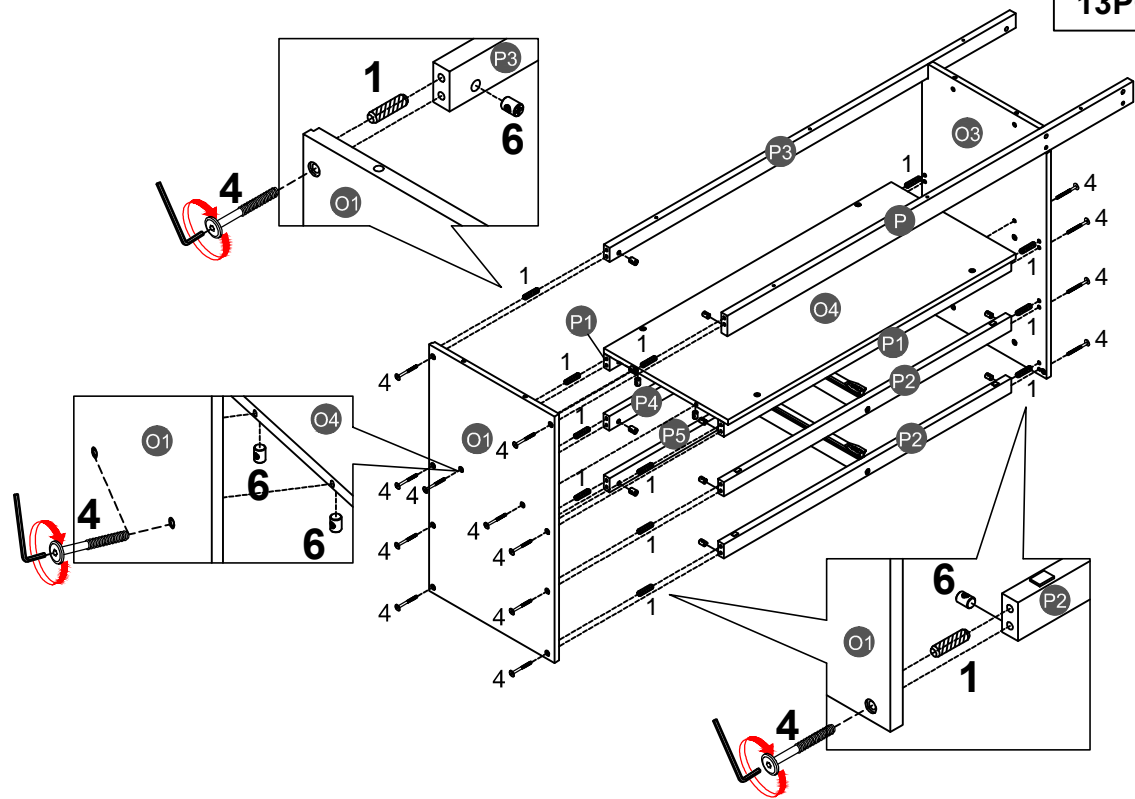


STEP 11:



4		6	
4PCS		4PCS	




STEP 12:

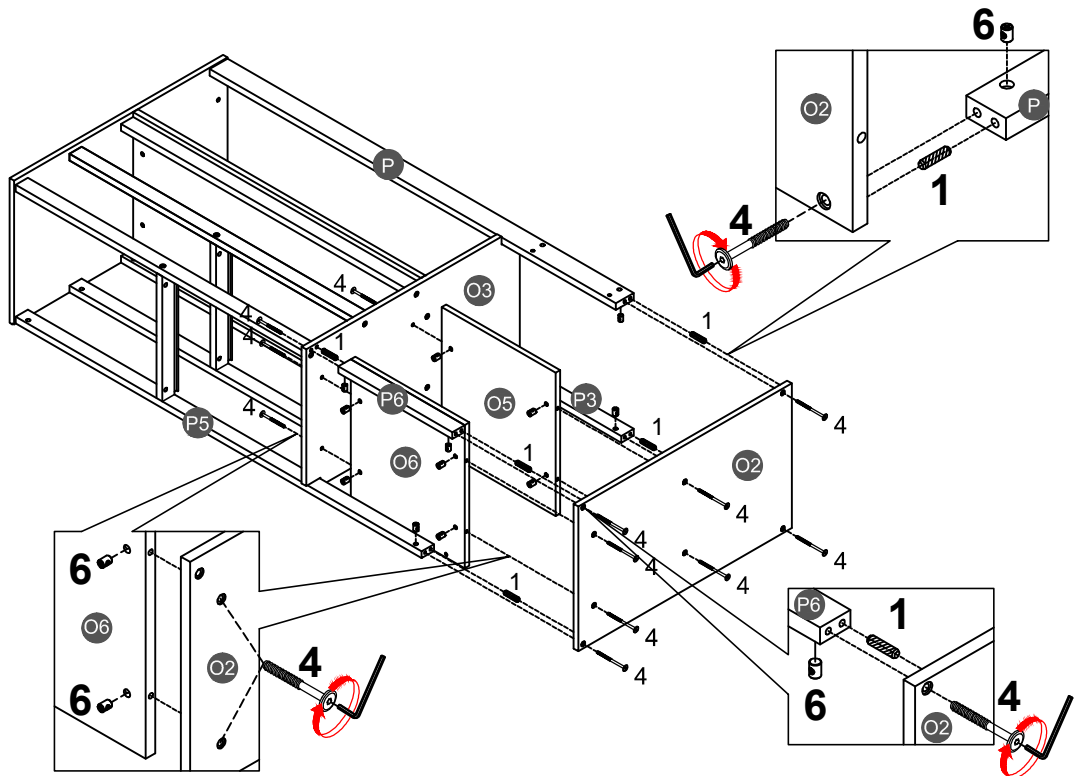


1		4	
13PCS		17PCS	


6	
17PCS	

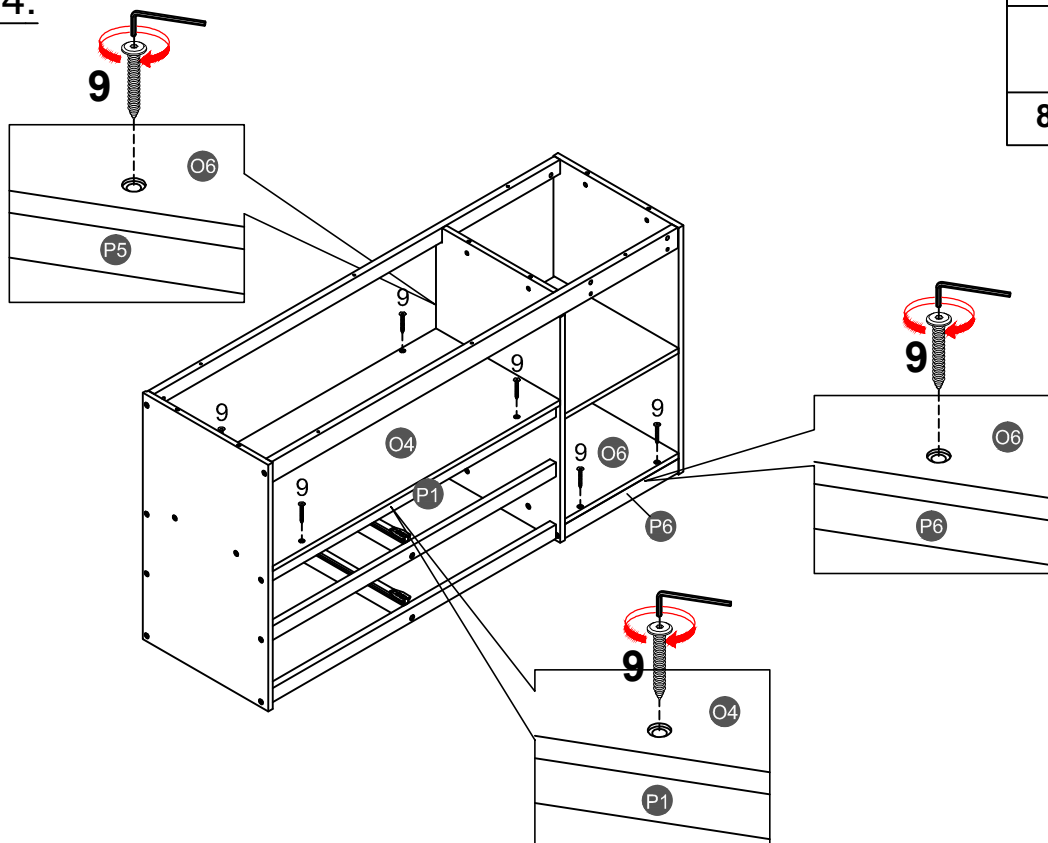
STEP 13:

1		4		6	
5PCS		13PCS		13PCS	

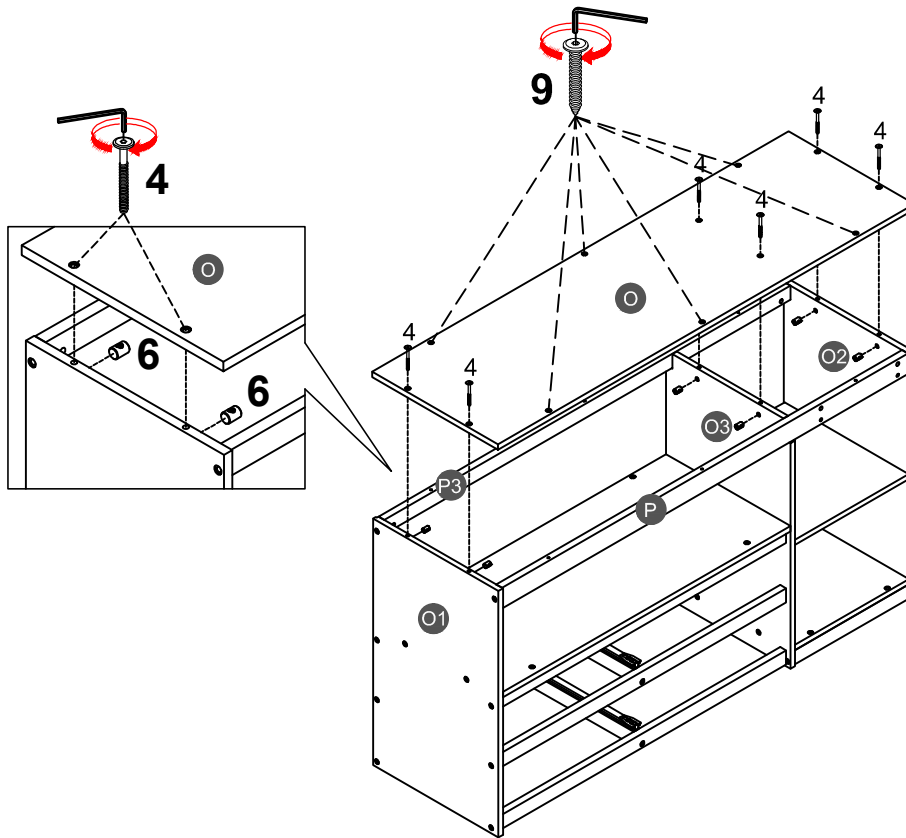





STEP 14:

9	
8PCS	

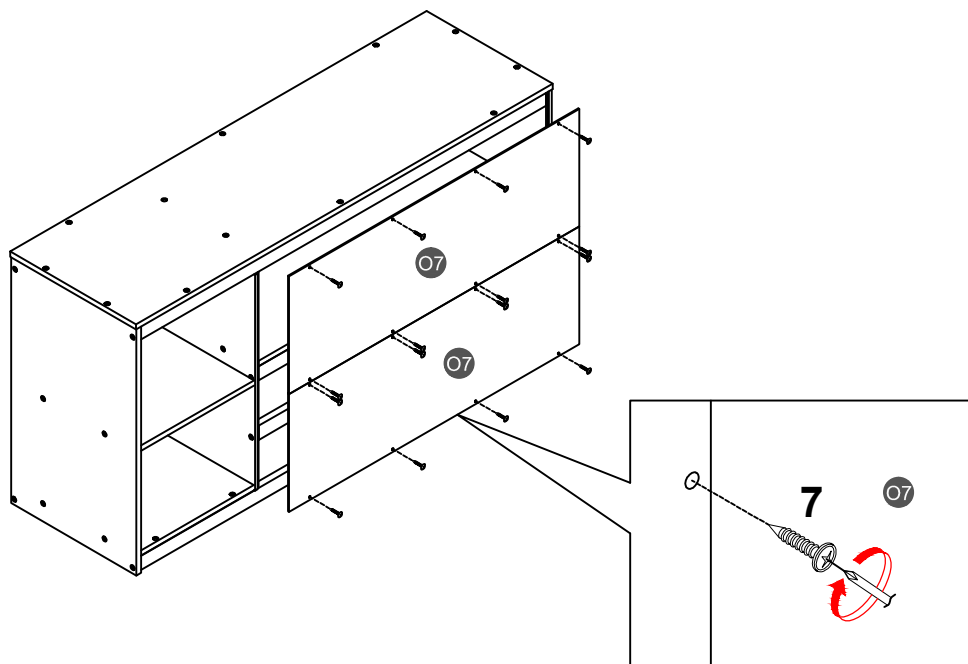



STEP 15:



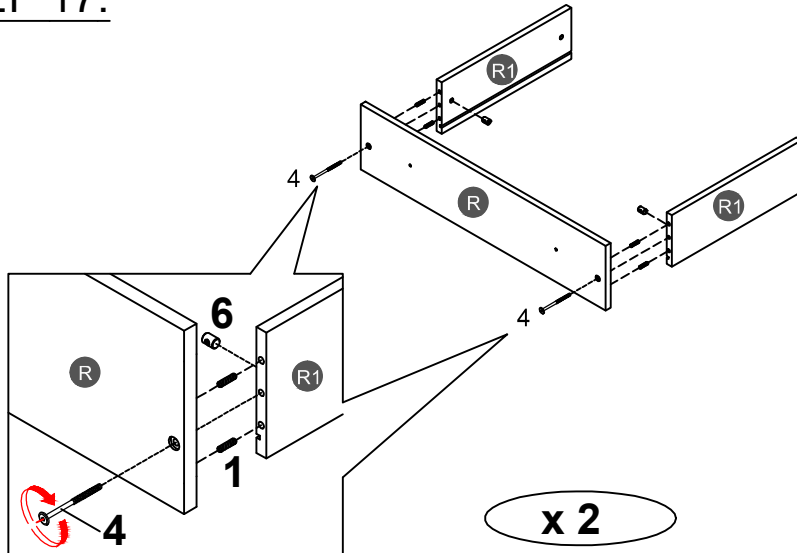
4		6	
6PCS		6PCS	
		9	
		6PCS	

STEP 16:



7	
16PCS	

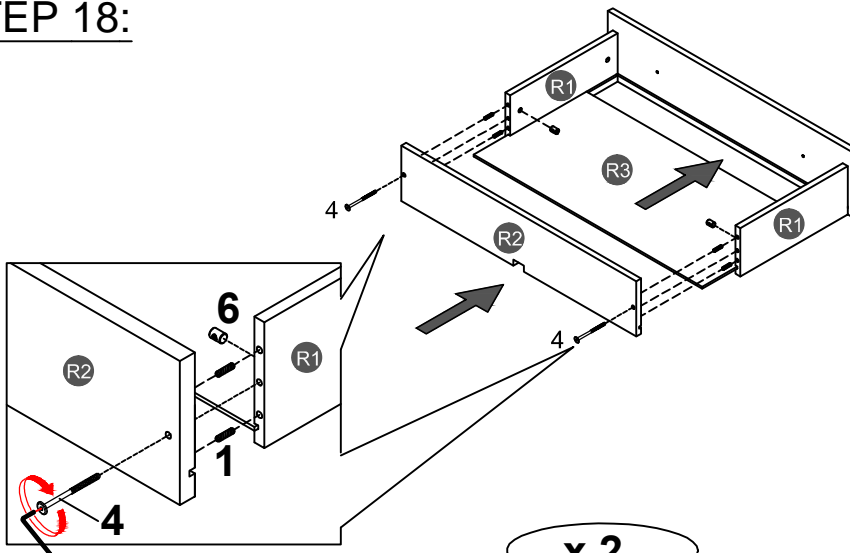
STEP 17:



x 2

1		4	
8PCS		4PCS	
		6	
		4PCS	

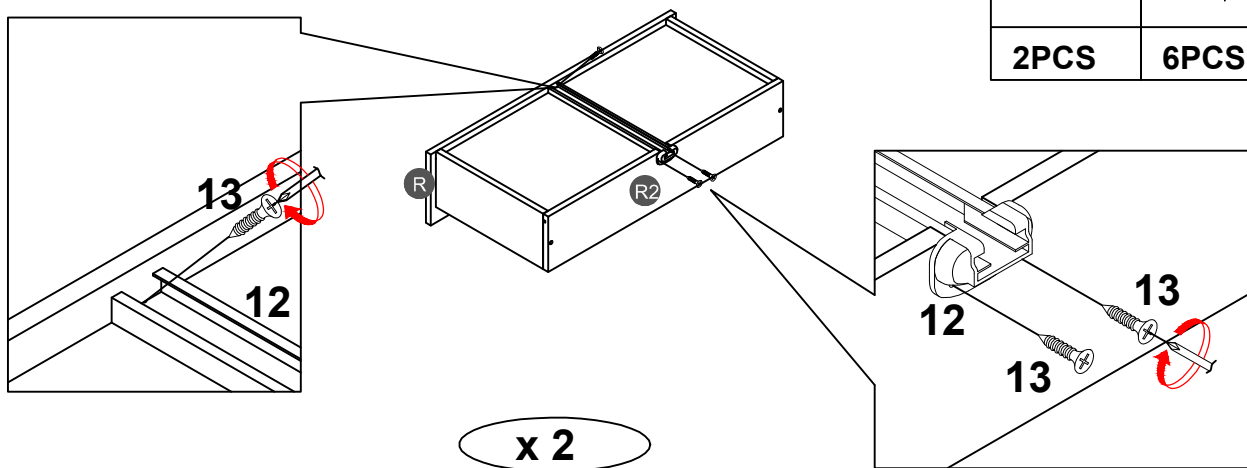
STEP 18:



x 2

1		4	
8PCS		4PCS	
		6	
		4PCS	

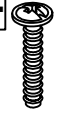

STEP 19:

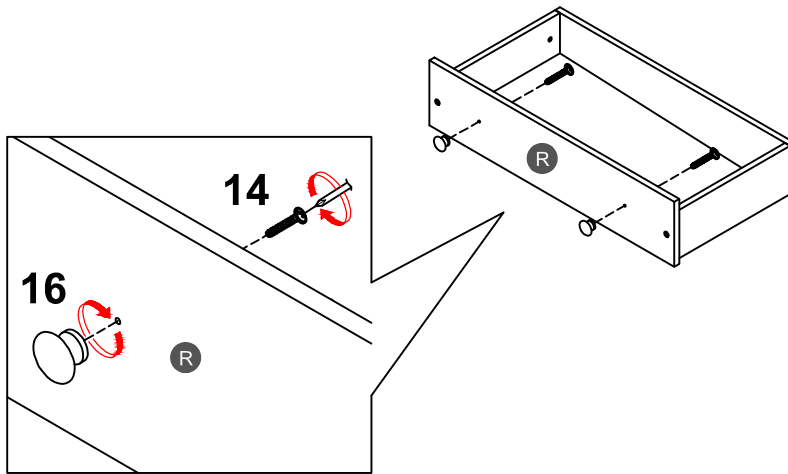


x 2

12		13	
2PCS		6PCS	

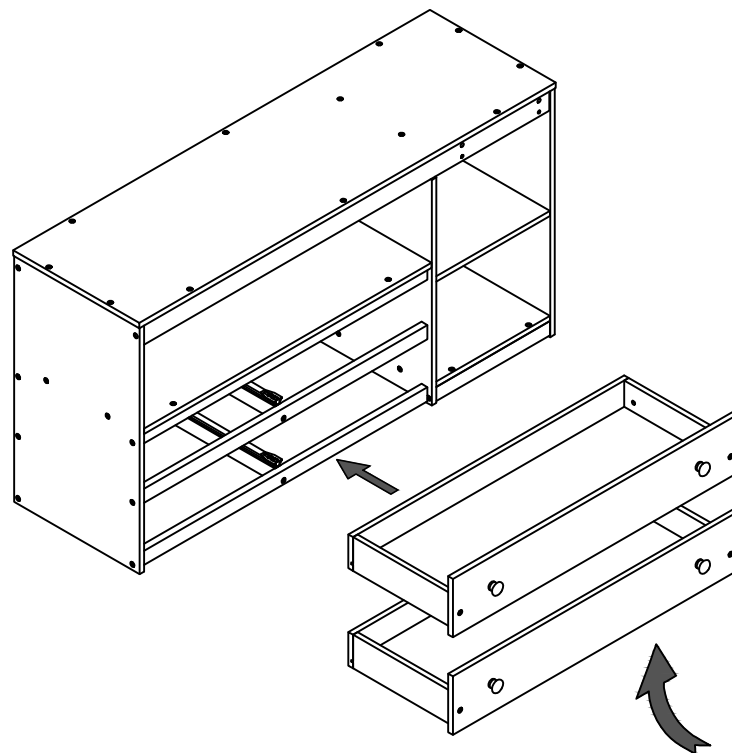
STEP 20:

14		16	
4PCS		4PCS	

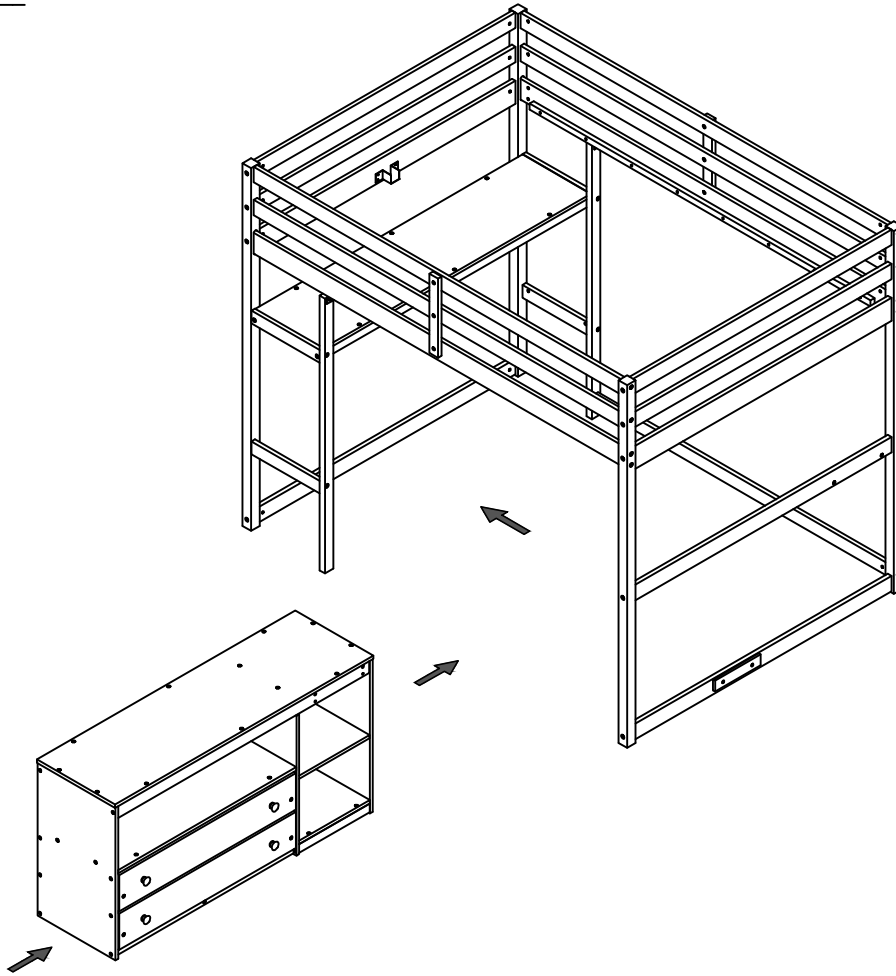


x 2


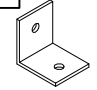
STEP 21:

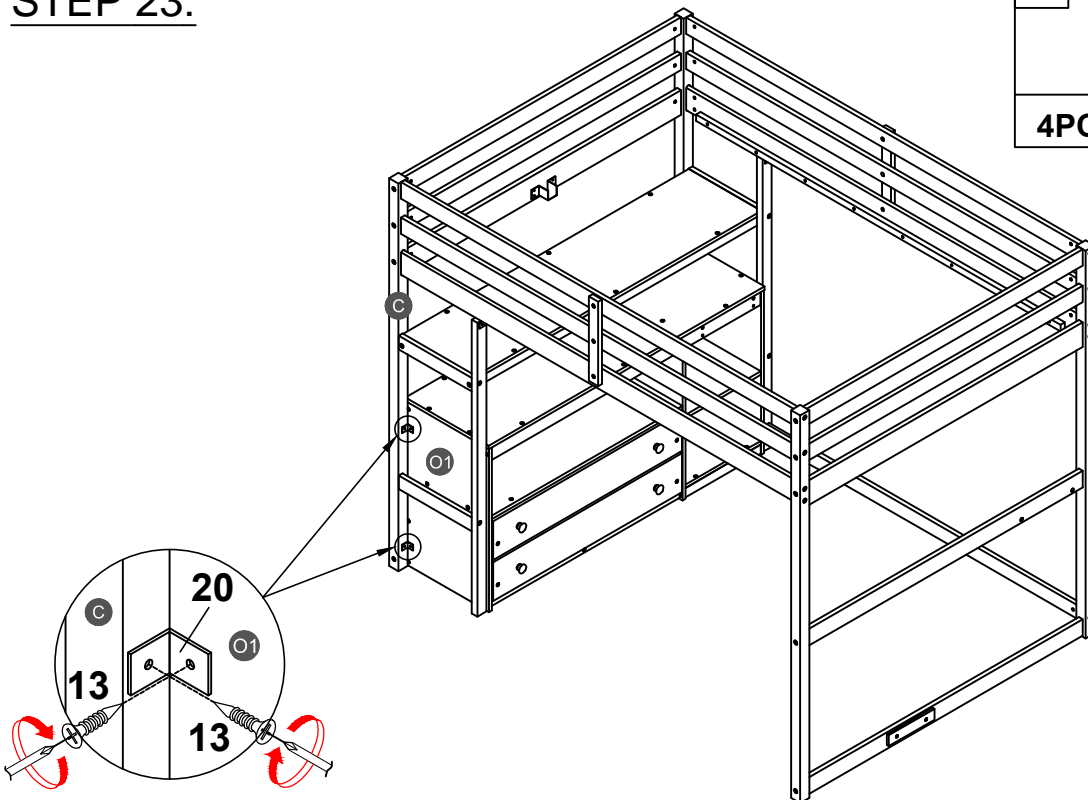


STEP 22:


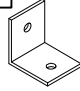


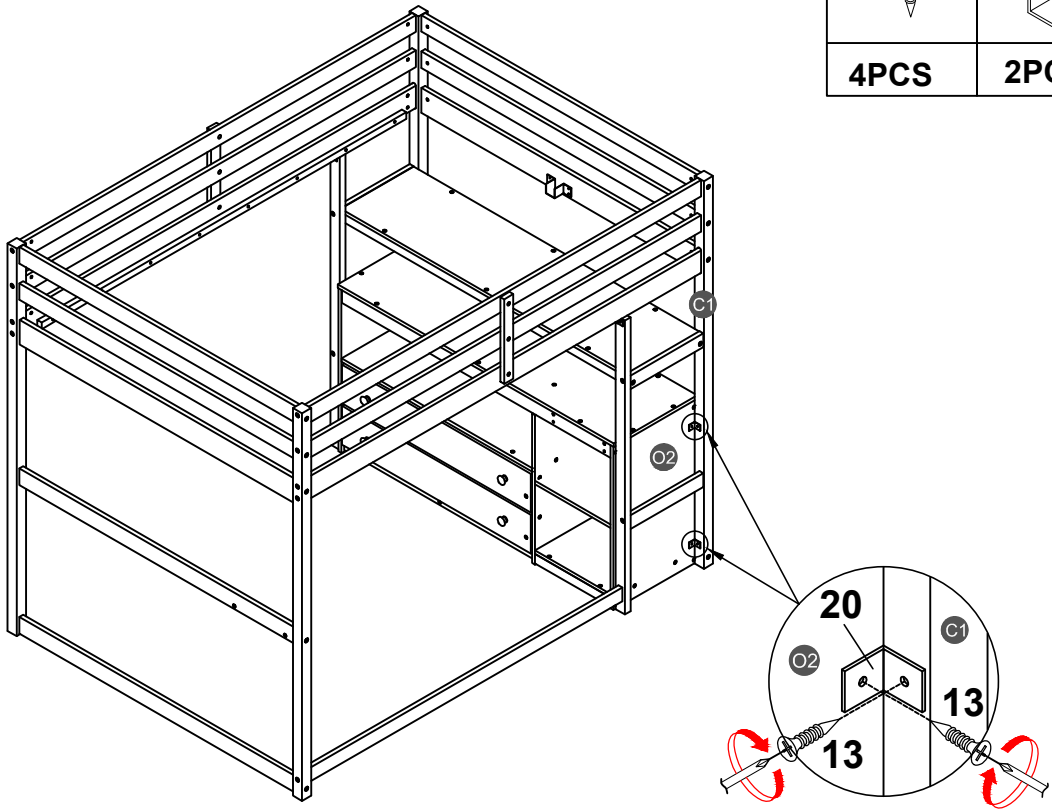
STEP 23:

13		20	
4PCS		2PCS	






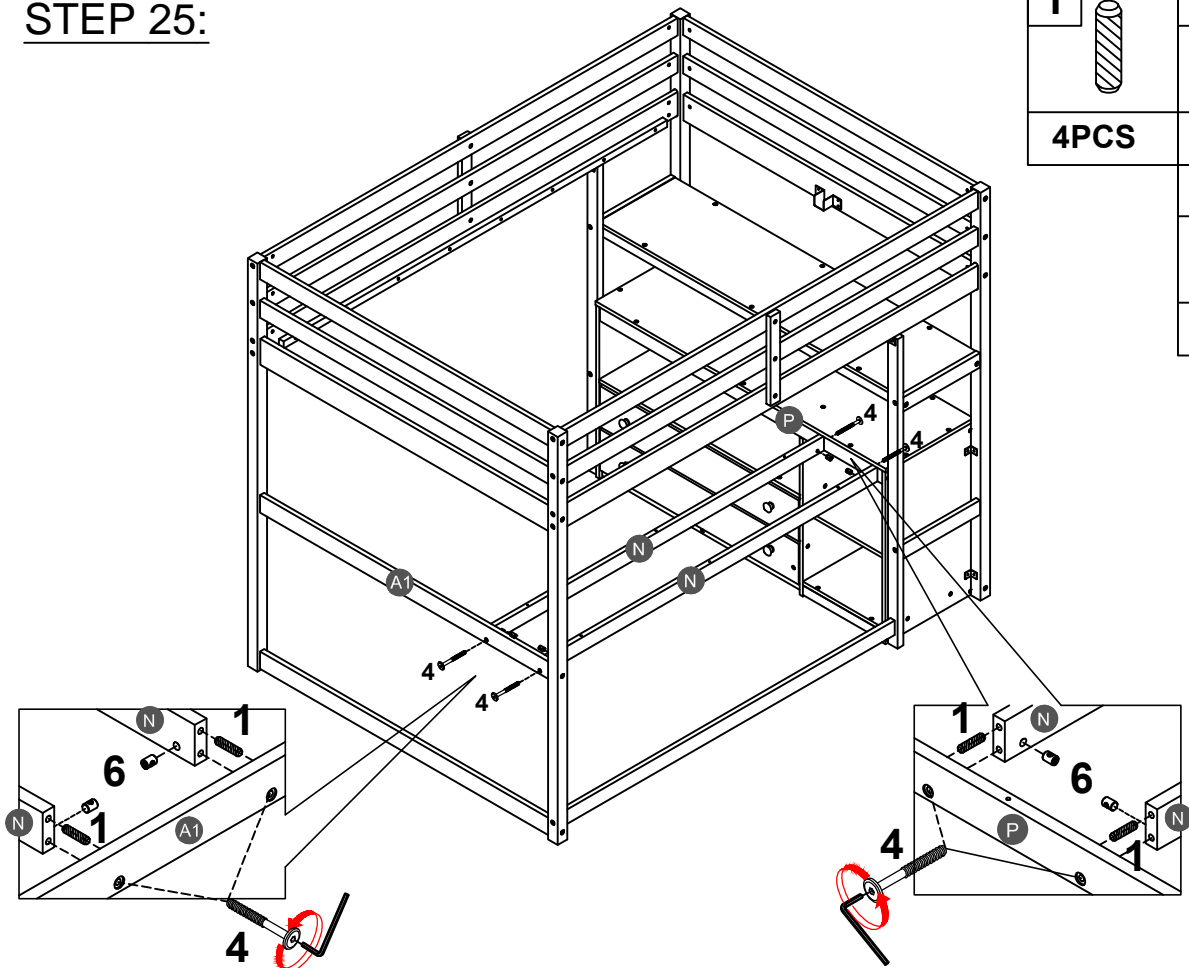
STEP 24:

13		20	
4PCS		2PCS	



STEP 25:

1		4	
4PCS		4PCS	
		6	
		4PCS	

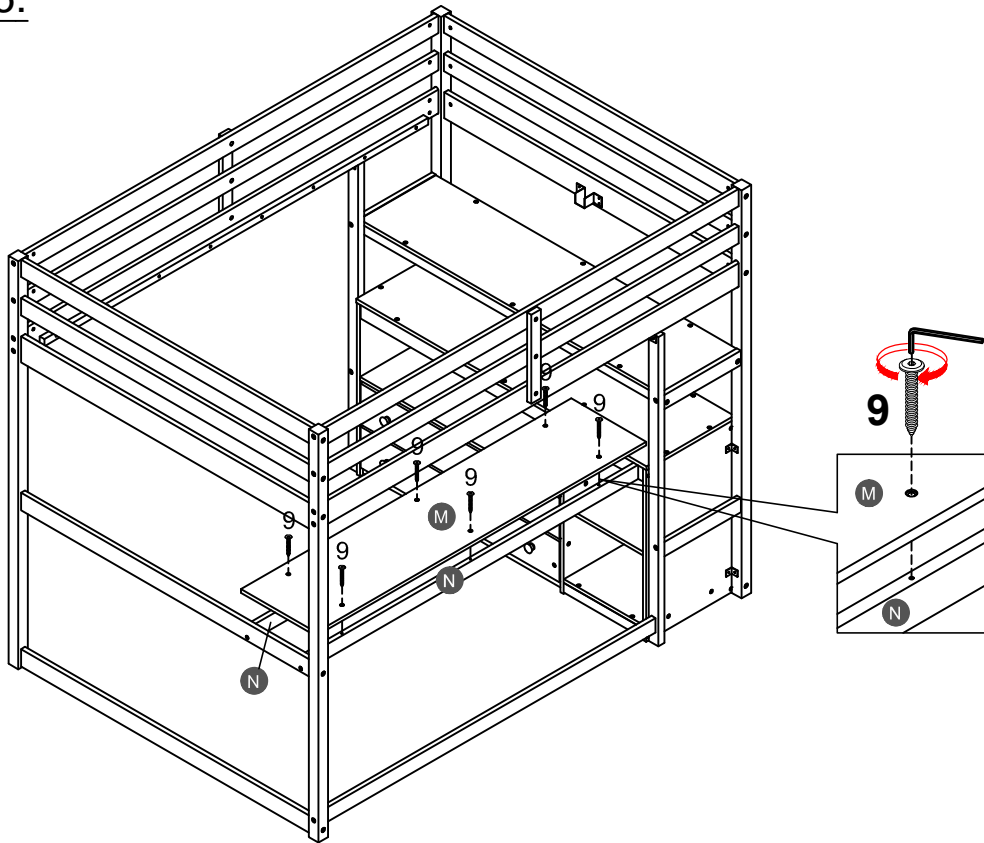


STEP 26:

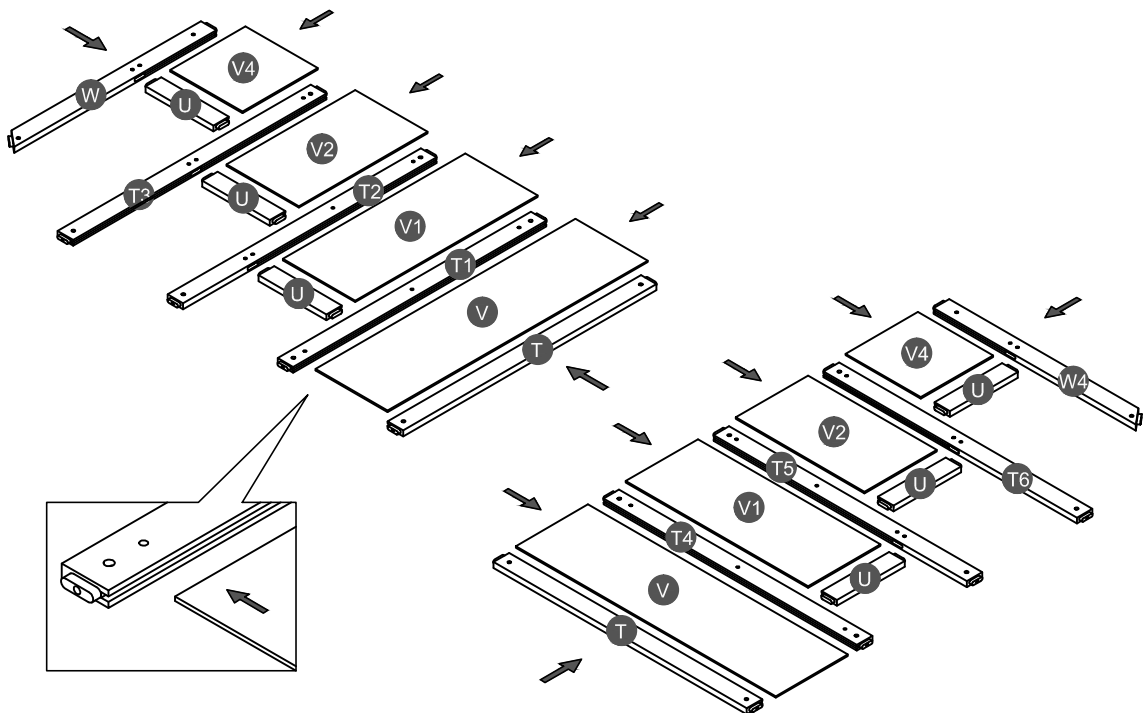
9



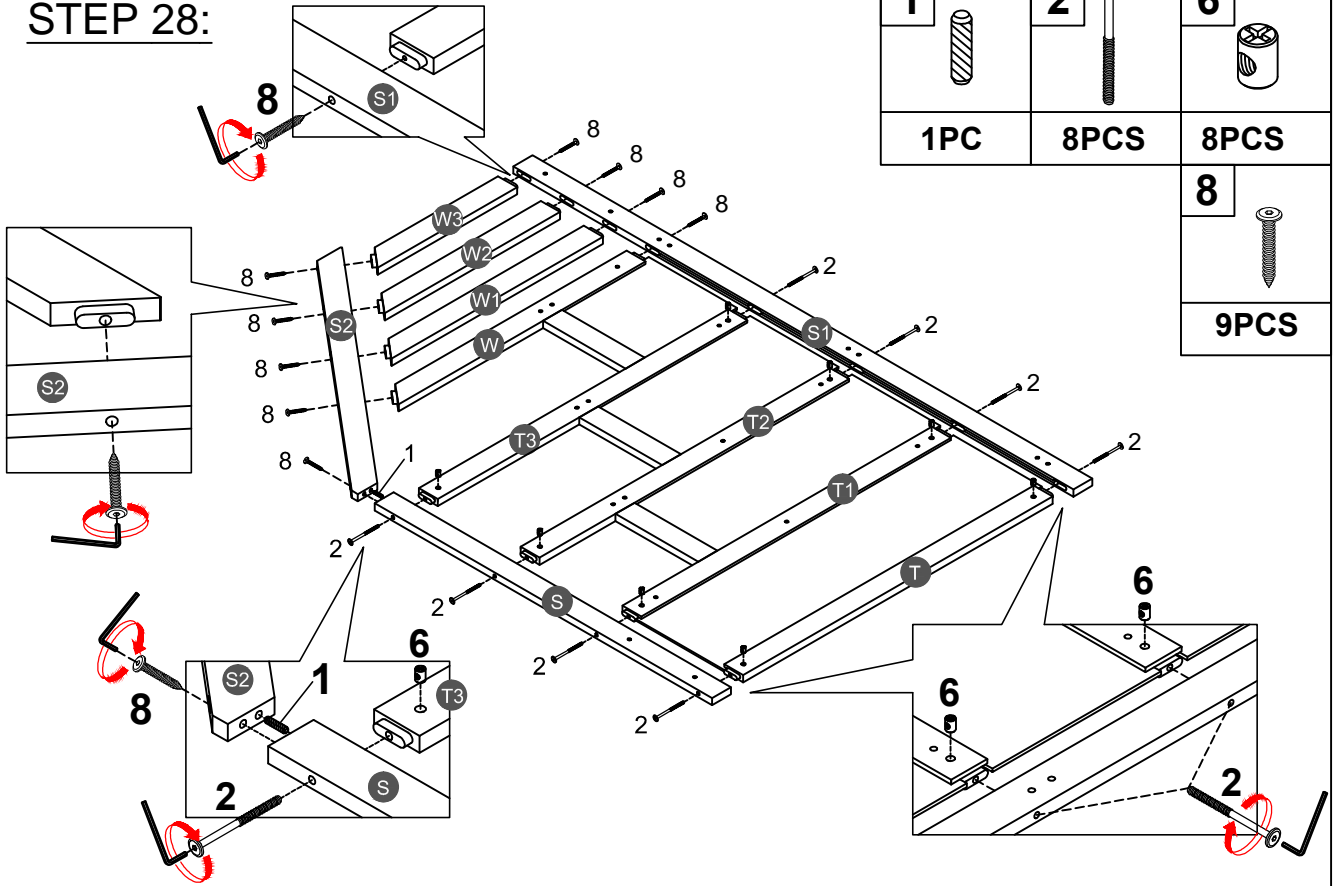
6PCS







STEP 27:

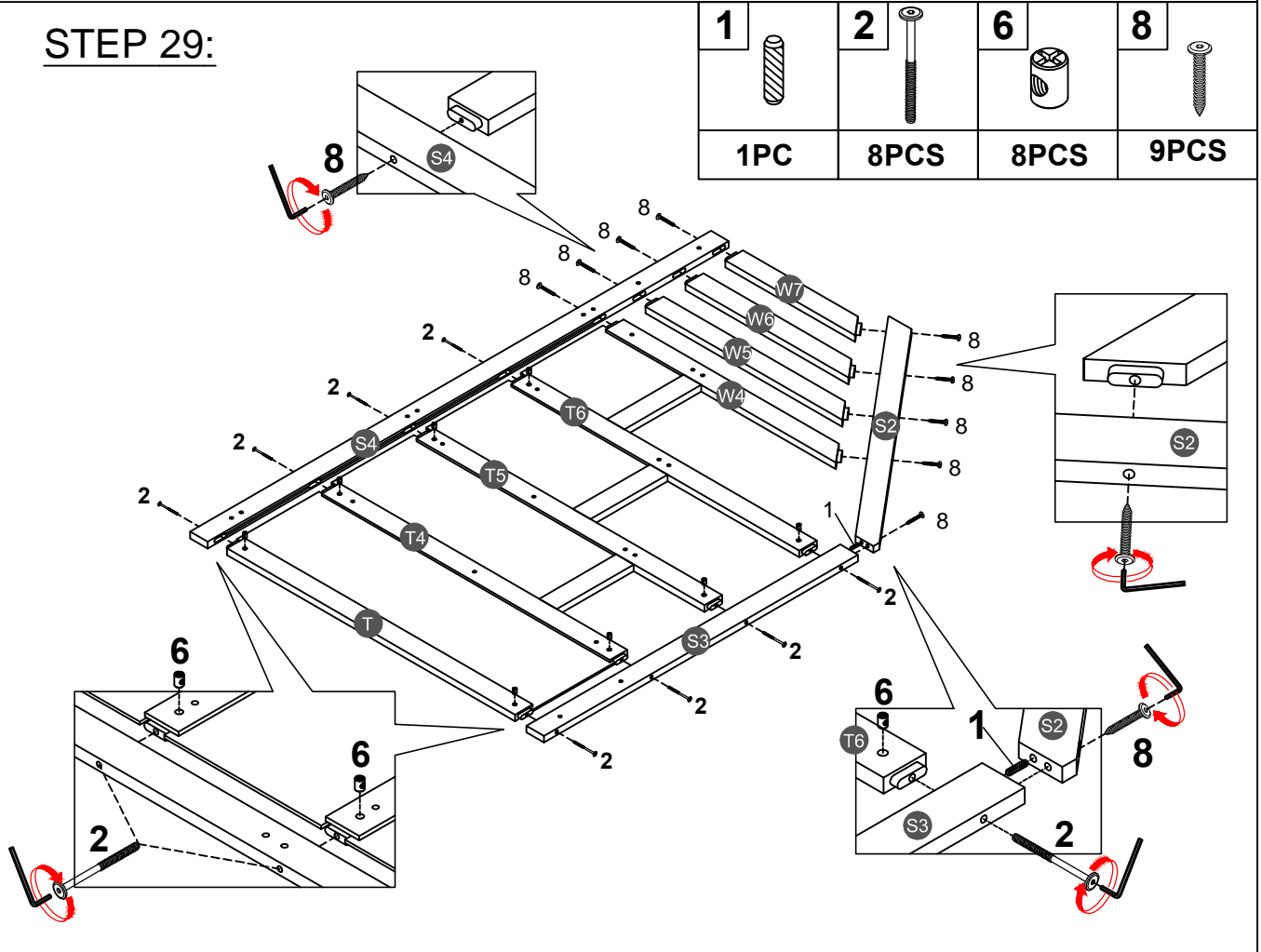






STEP 28:



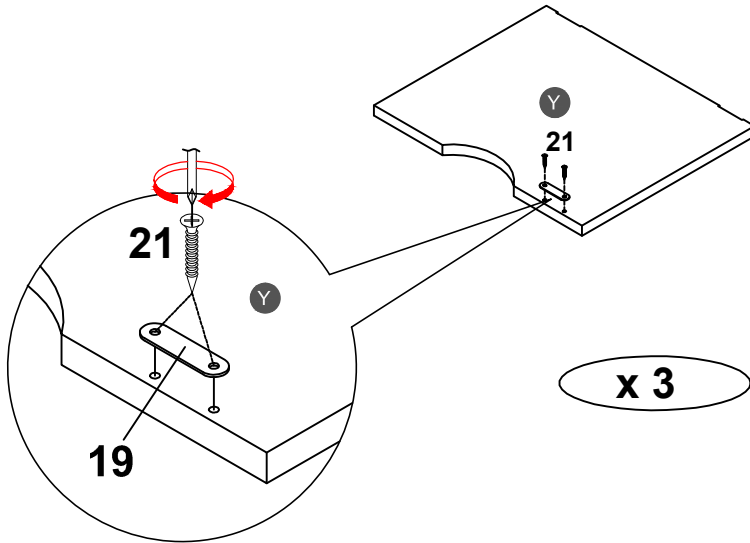
1 	2 	6 
1PC	8PCS	8PCS
		8 
		9PCS



STEP 29:



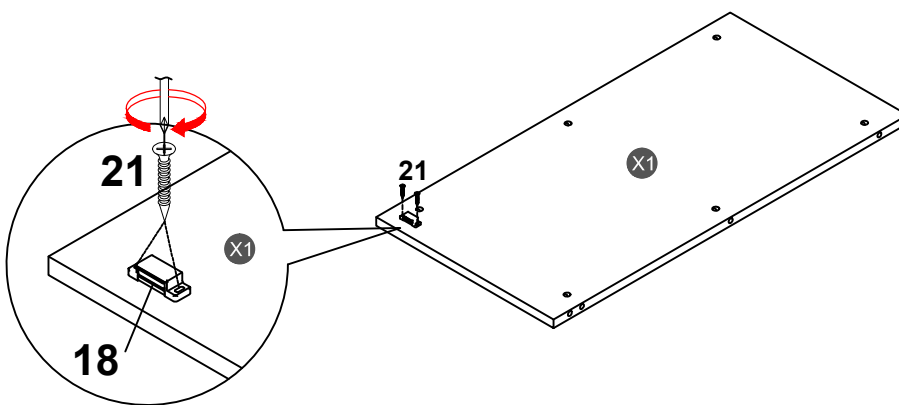
1 	2 	6 	8 
1PC	8PCS	8PCS	9PCS

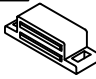

STEP 30:



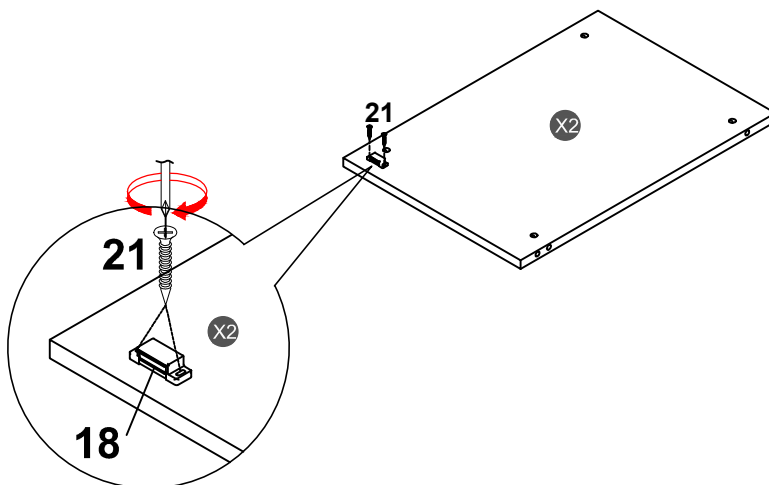
19 	21 
3PCS	6PCS

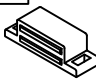

STEP 31:



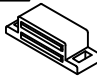

18 	21 
1PC	2PCS

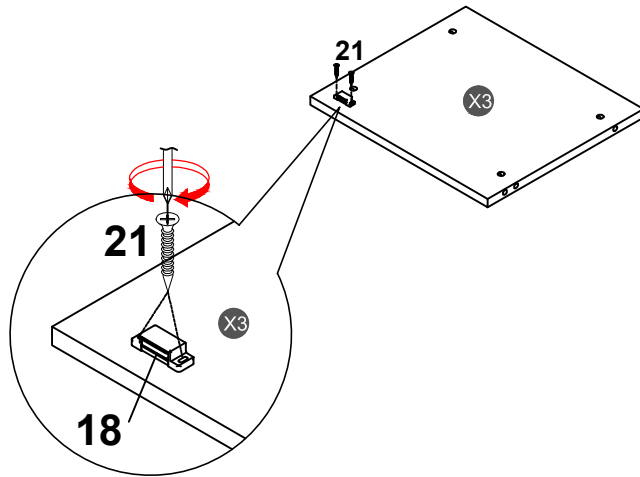
STEP 32:



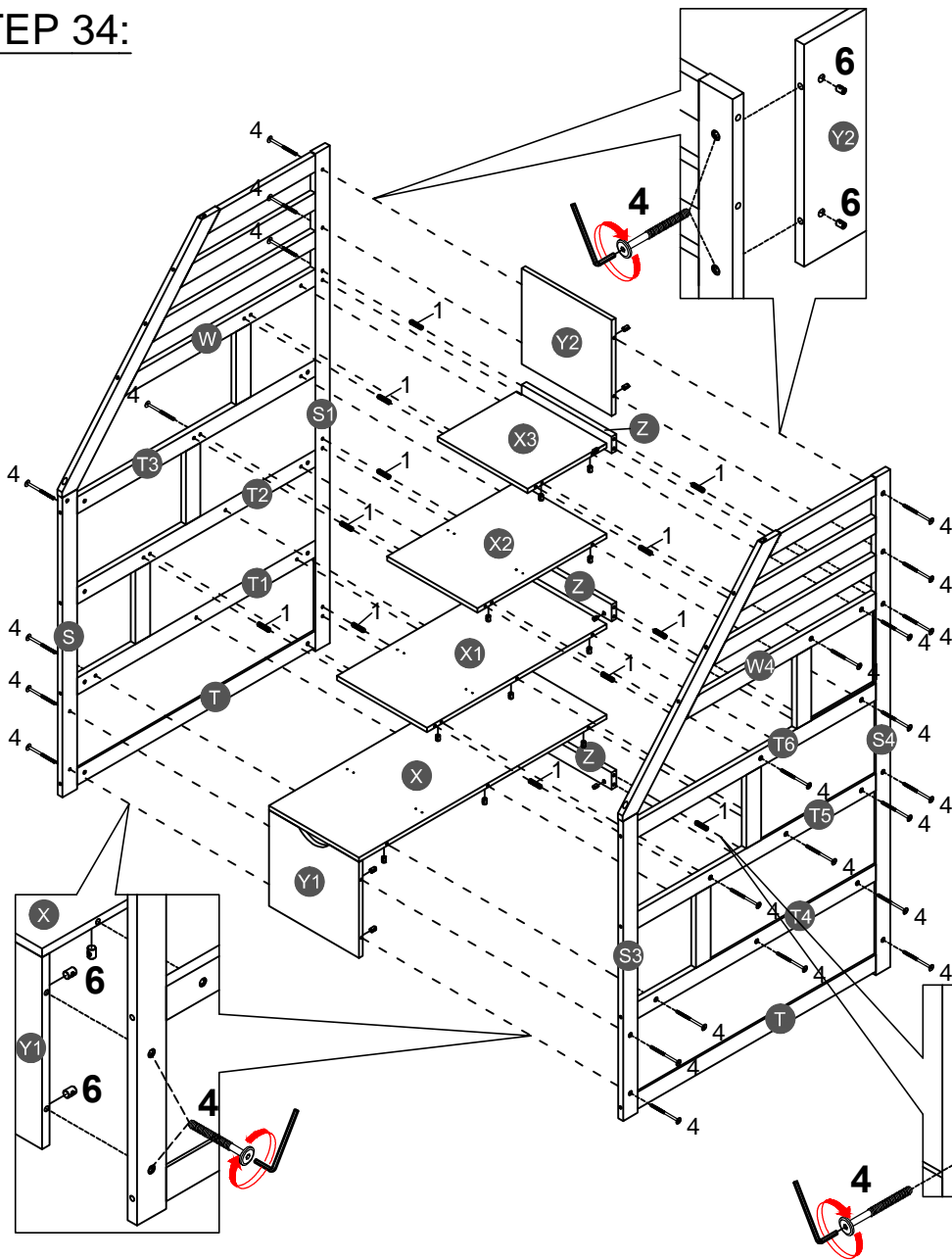
18 	21 
1PC	2PCS




STEP 33:

18 	21 
1PC	2PCS




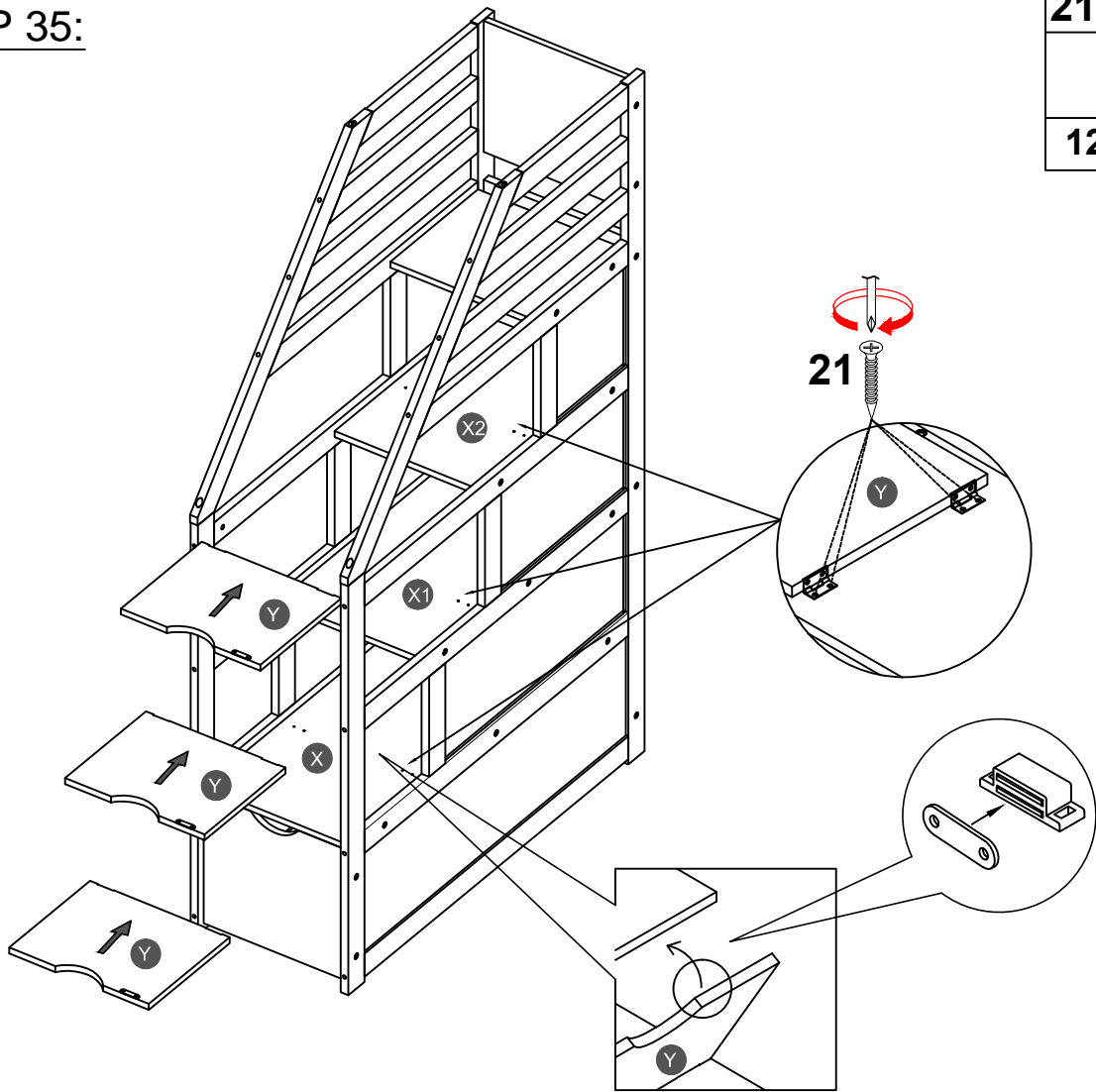
STEP 34:




1 	12PCS
4 	34PCS
6 	34PCS

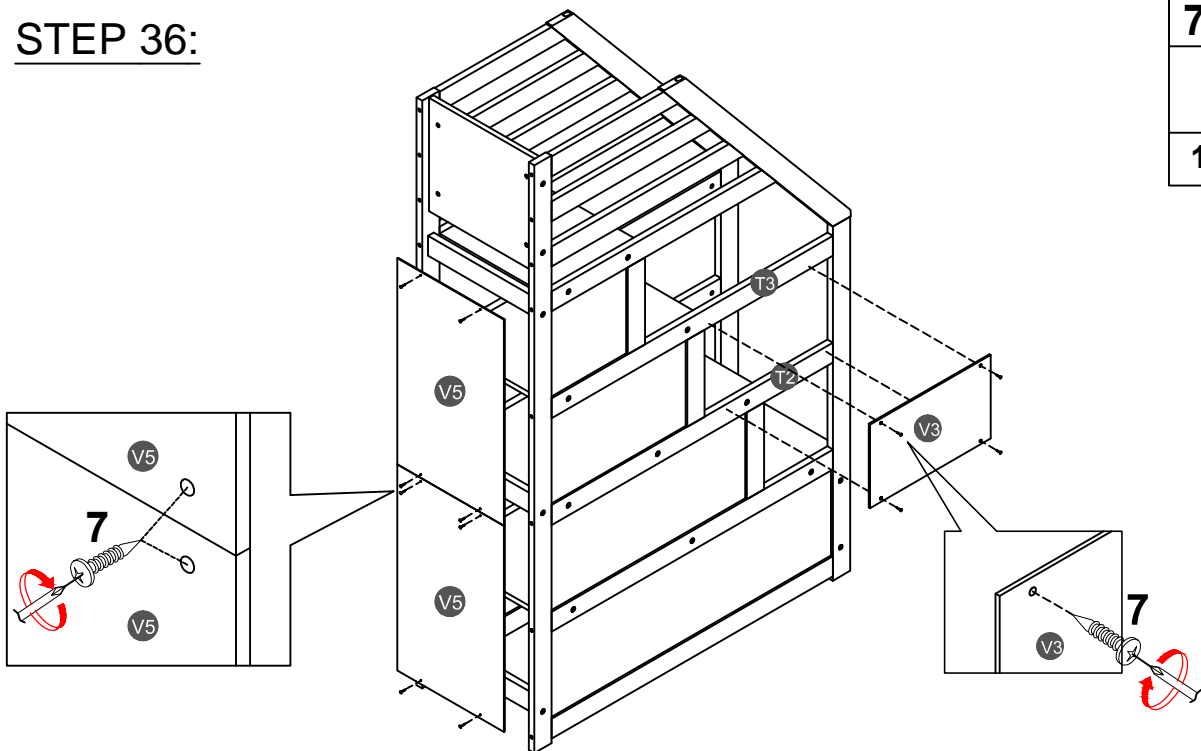
STEP 35:

21

12PCS

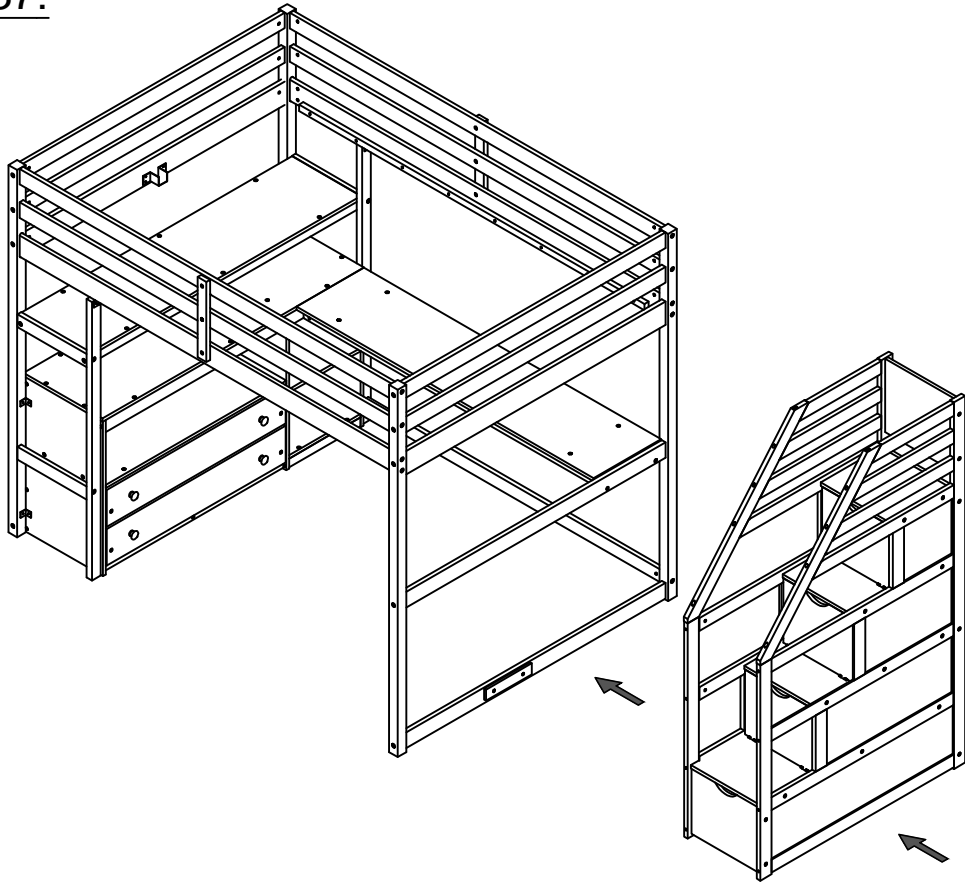


STEP 36:

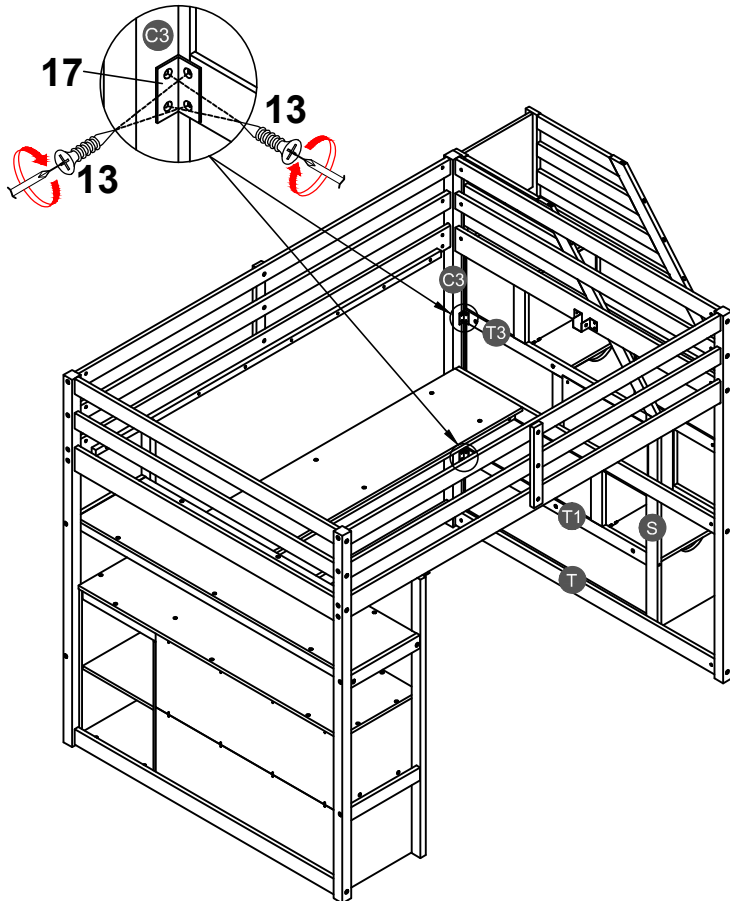
7

12PCS


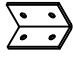


STEP 37:

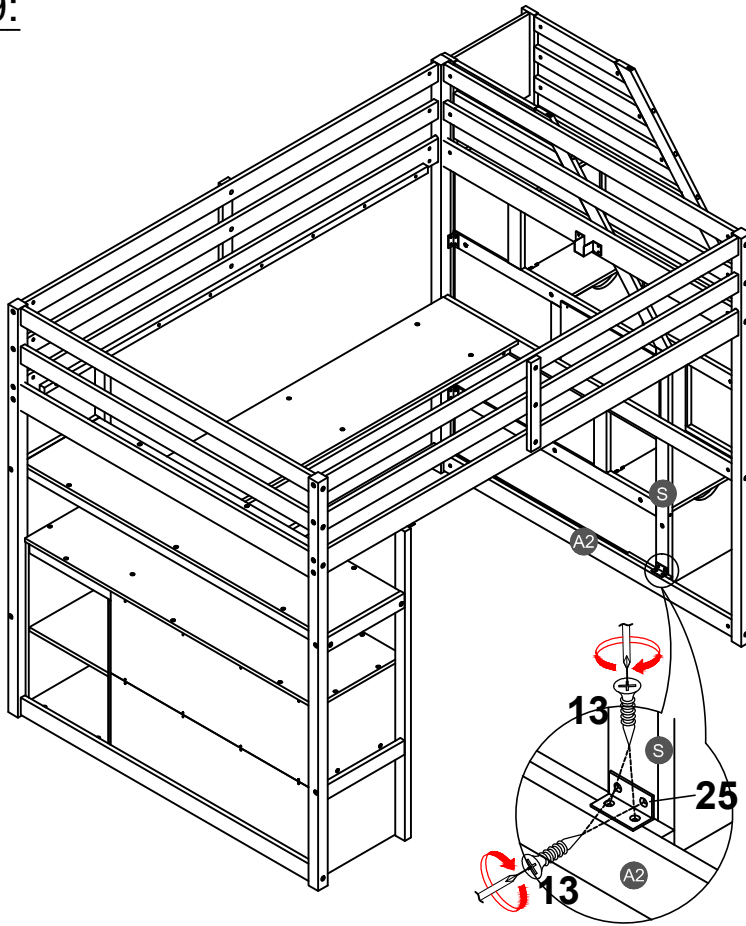




STEP 38:



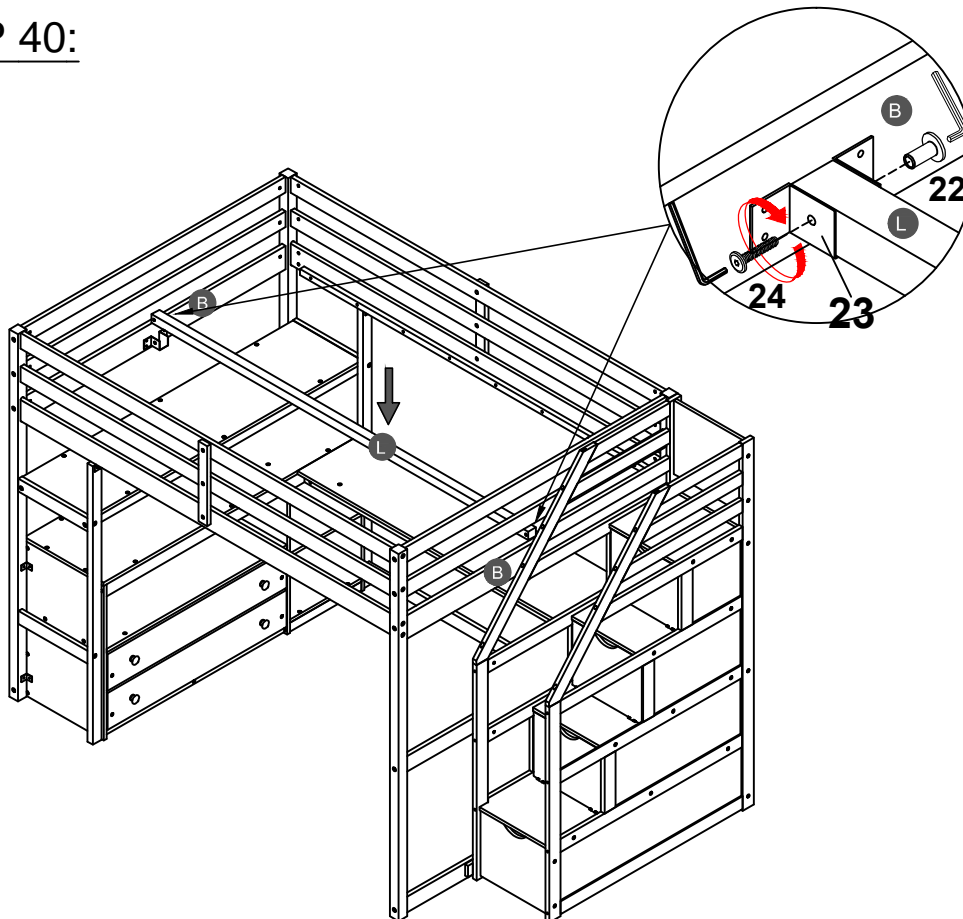
13 	17 
8PCS	2PCS

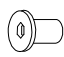
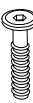
STEP 39:



13	25
	
4PCS	1PC

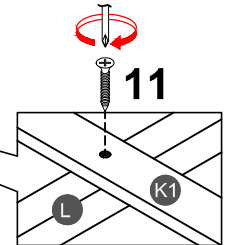
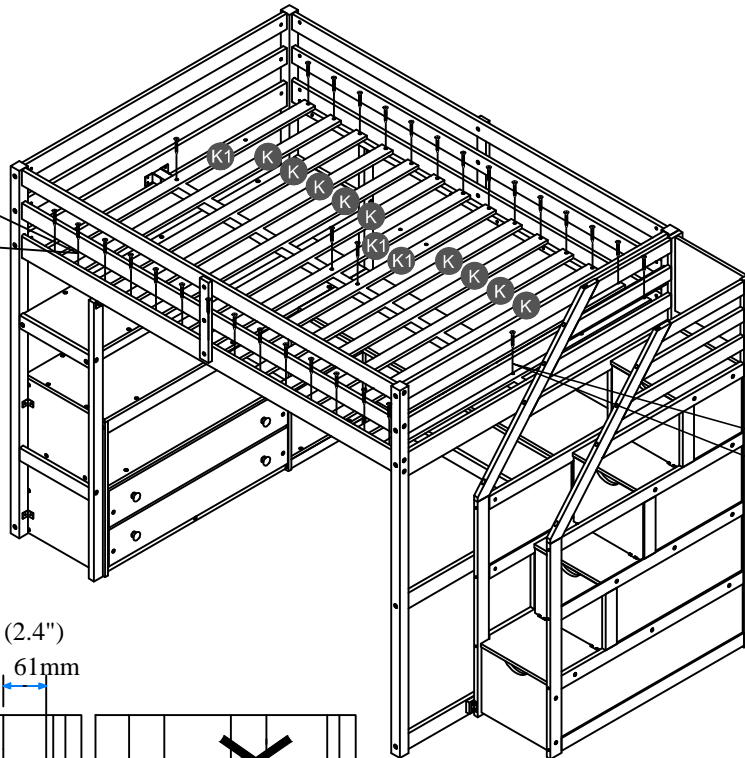
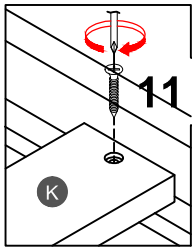
STEP 40:



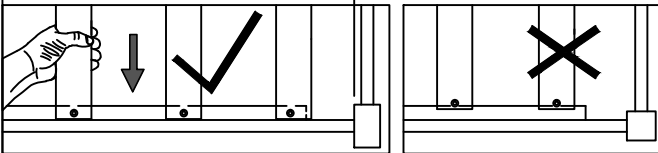
22

2PCS
24

2PCS

STEP 41:

11
32PCS



(3.1") 79mm (3.3") 84.5mm (2.4") 61mm



Note: Do not lock the screws of the bed slats to the outermost edge of the bed slats, you need to leave a certain space at the edges, otherwise it will cause the board to break. Do not lock the bed slats on the edge of the wood, please hold firmly before screwing , hold it in place with one hand, then lock the screw.

