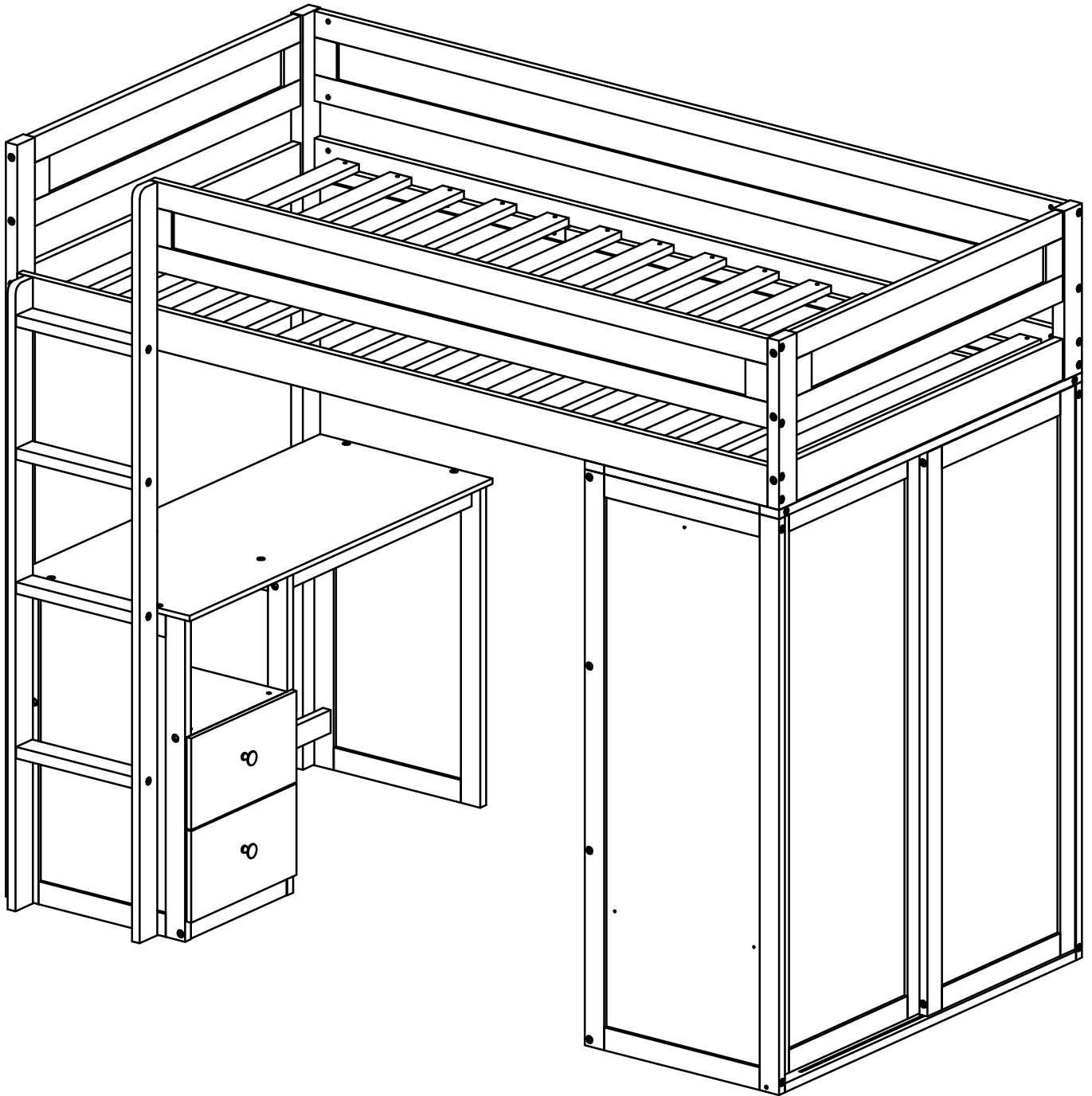


ASSEMBLY INSTRUCTION

SKU CODE: (WF301263-WF301264-WF301265)



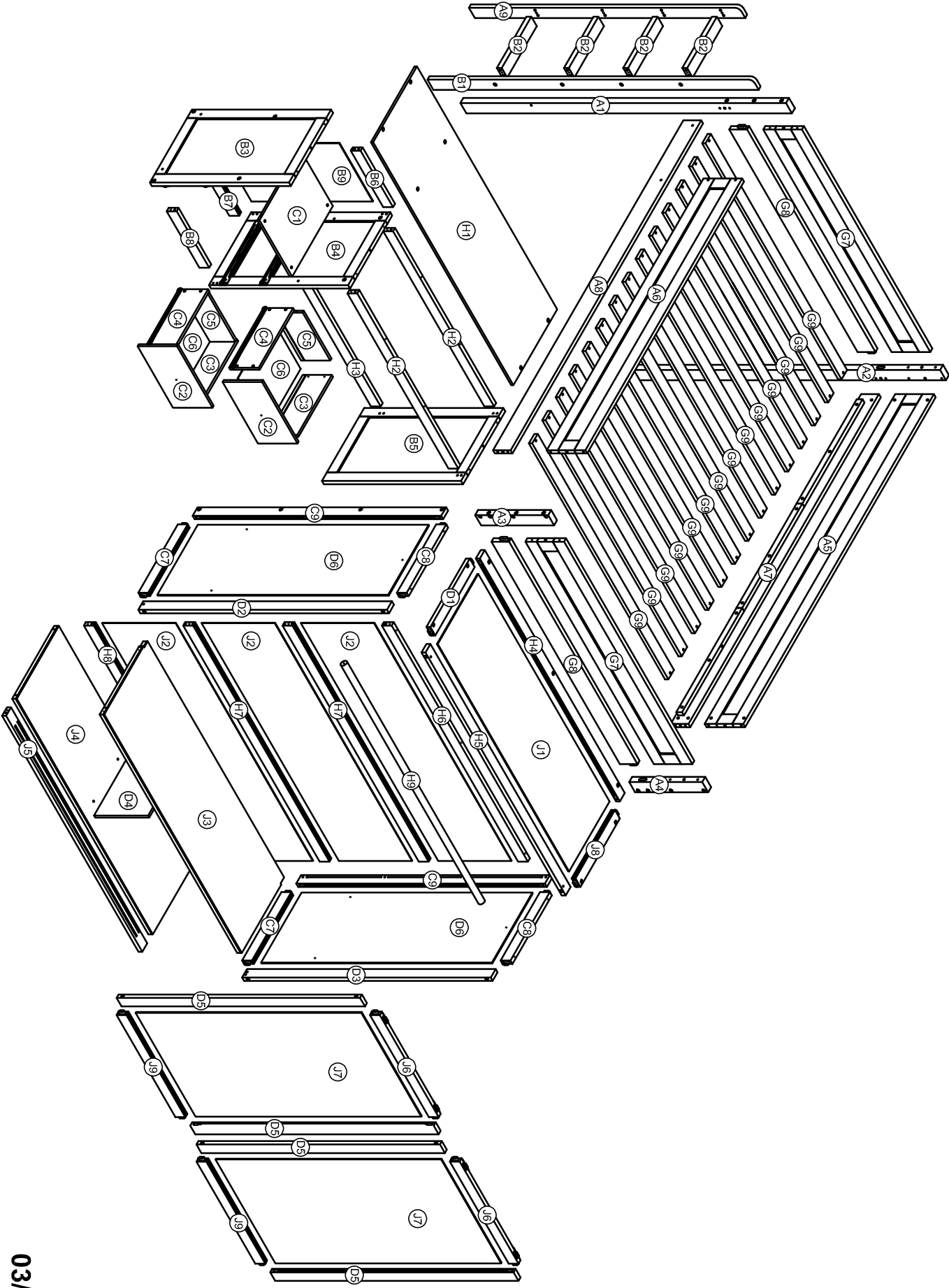
! SAFETY WARNINGS !

1. This bed is designed for use only mattress (es) meeting the following specifications on the upper bunk, and lower bunk

Upper bed Bed Type	Length	Width	Thickness
<i>Twin Standard</i>	<i>74" - 75"</i>	<i>38 1/2"</i>	<i>6" max</i>

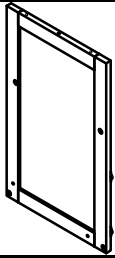
2. Replacement parts, including additional guardrails, maybe obtained from any of our (GIGACLOUD TECHNOLOGY (USA) INC. 18961 ARENTH AVENUE CITY OF INDUSTRY, CA, 91748) dealers
3. Follow the information on the warnings appearing on the upper bunk bed end structure and on the carton. Do not remove warning label from bed
4. Always use the recommended size mattresses or mattress supports, or both, to help prevent the likelihood of entrapment or falls.
5. Surface of mattress must be at least 5" (127mm) below the upper edge of guardrails
6. Do not allow children under 6 years of age to use the upper bunk.
7. Periodically check and ensure that the guardrail, ladder, and other components are in their proper position, free from damage, and that all connectors are tight.
8. Do not allow horseplay on or under the bed and prohibit jumping on the bed.
9. Always use the ladder for entering and leaving the upper bunkAlways use the ladder for entering and leaving the upper bunk.
10. Do not use substitute part. Contact the manufacture or dealer for replacement part
11. Use of a night light may provide added safety precaution for a child using the upper bunk..
12. Always use guardrails on both long sides of the upper bunk. If the bunk bed will be placed next to the wall, the guardrail that runs the full length of the bed should be placed against the wall to prevent entrapment between the bed and wall.
13. The use of water or sleep flotation mattresses is prohibited
14. **STRANGULATION HAZARD** - Never attach or hang items to any part of the bunk bed that are not designed for use with the bed; for example, but not limited to, hook, belts and jump ropes
15. Keep these instruction for future reference
16. Prohibit more than one person on upper bunk
17. We recommend assembling your bunk bed on the shipping carton to protect your floor or carpet
18. Be certain all staples are out of the box before beginning assembly on the shipping carton.

ASSEMBLY INSTRUCTION



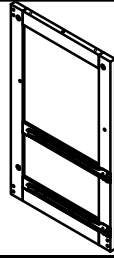
Part List & Hardware List (Box 1-WF301263)

B3



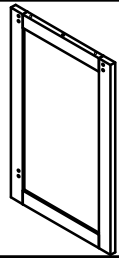
Panel-1pc

B4



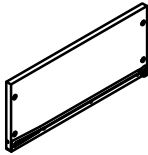
Panel-1pc

B5



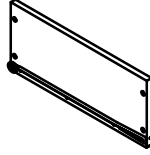
Panel-1pc

C3



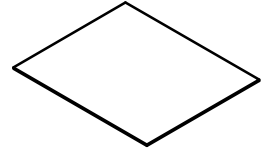
Drawer panels-2pcs

C4



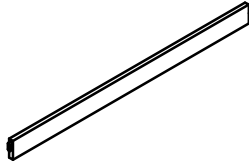
Drawer panels-2pcs

C6



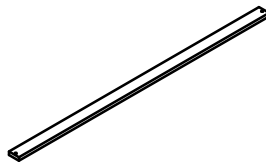
Drawer Bottom Panels-2pcs

G8



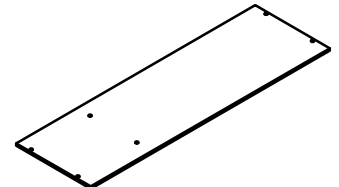
WoodBar-2pcs

G9



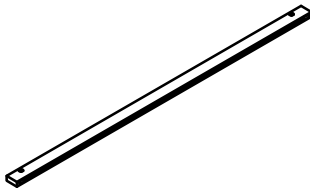
Slats-14pcs

H1



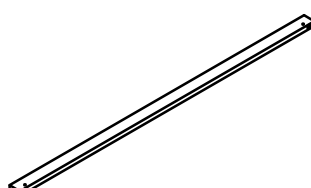
Panel-1pc

H4



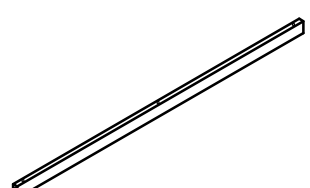
WoodBar-1pc

H5



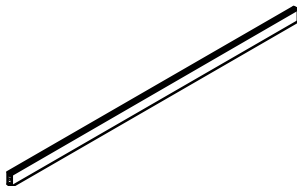
WoodBar-1pc

H6



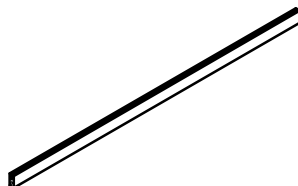
WoodBar-1pc

H7



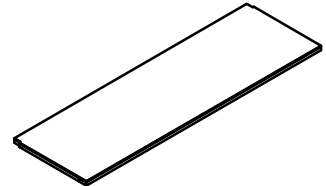
WoodBar-2pcs

H8



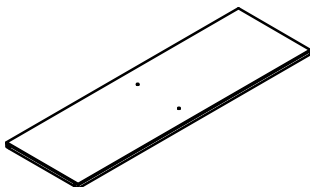
WoodBar-1pc

J3



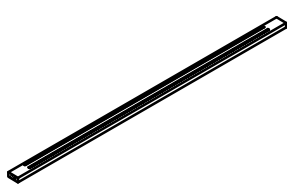
Panel-1pc

J4



Panel-1pc

J5



WoodBar-1pc

Part List (Box 2-WF301264)

A1



Leg-1pc

A2



Leg-1pc

A3



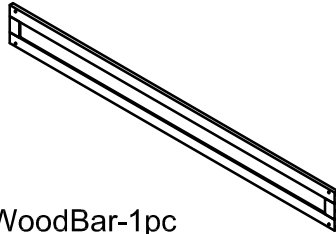
Leg-1pc

A4



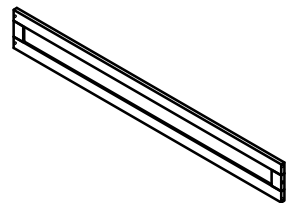
Leg-1pc

A5



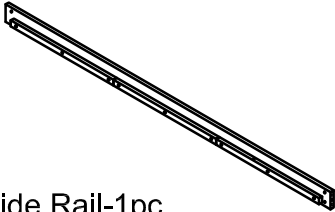
WoodBar-1pc

A6



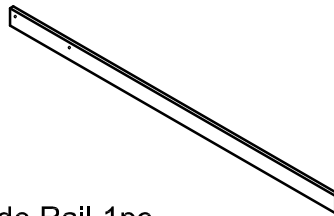
WoodBar-1pc

A7



Side Rail-1pc

A8



Side Rail-1pc

A9



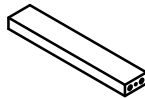
WoodBar-1pc

B1



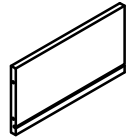
WoodBar-1pc

B2



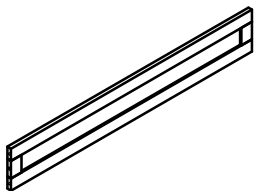
WoodBar-4pcs

C5



Drawer Rear-2pcs

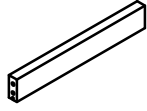
G7



Panel-2pcs

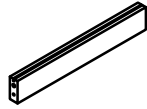
Part List (Box 3-WF301265)

B6



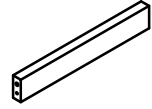
WoodBar-1pc

B7



WoodBar-1pc

B8



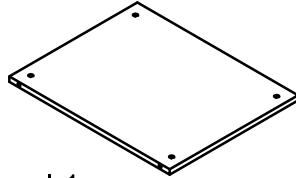
WoodBar-1pc

B9



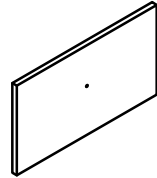
Panel-1pc

C1



Panel-1pc

C2



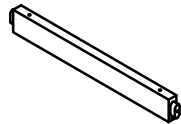
Drawer front panels-2pcs

C7



WoodBar-2pcs

C8



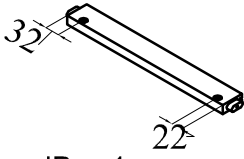
WoodBar-2pcs

C9



WoodBar-2pcs

D1



WoodBar-1pc

D2



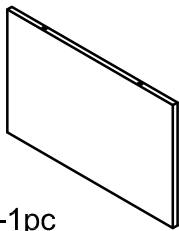
WoodBar-1pc

D3



WoodBar-1pc

D4



Panel-1pc

D5



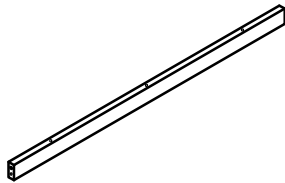
WoodBar-4pcs

D6



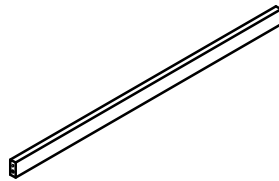
Panel-2pcs

H2



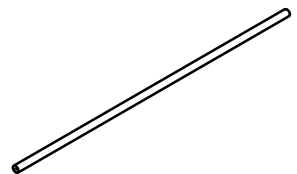
WoodBar-2pcs

H3



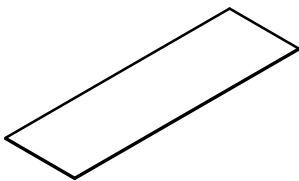
WoodBar-1pc

H9



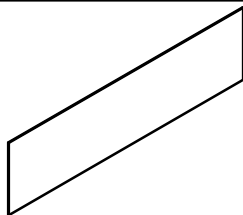
WoodBar-1pc

J1



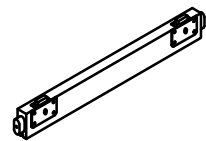
Panel-1pc

J2



Panel-3pcs

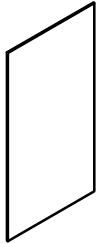
J6



WoodBar-2pcs

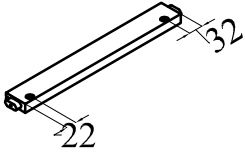
Part List (Box 3-WF301265)

J7



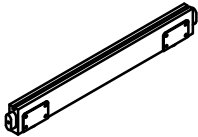
Panel-2pcs

J8



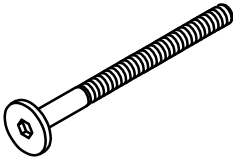







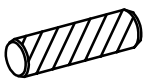
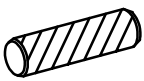

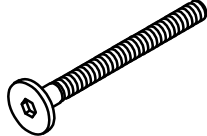




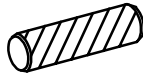


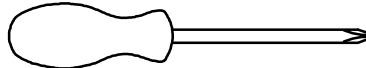
WoodBar-1pc

J9




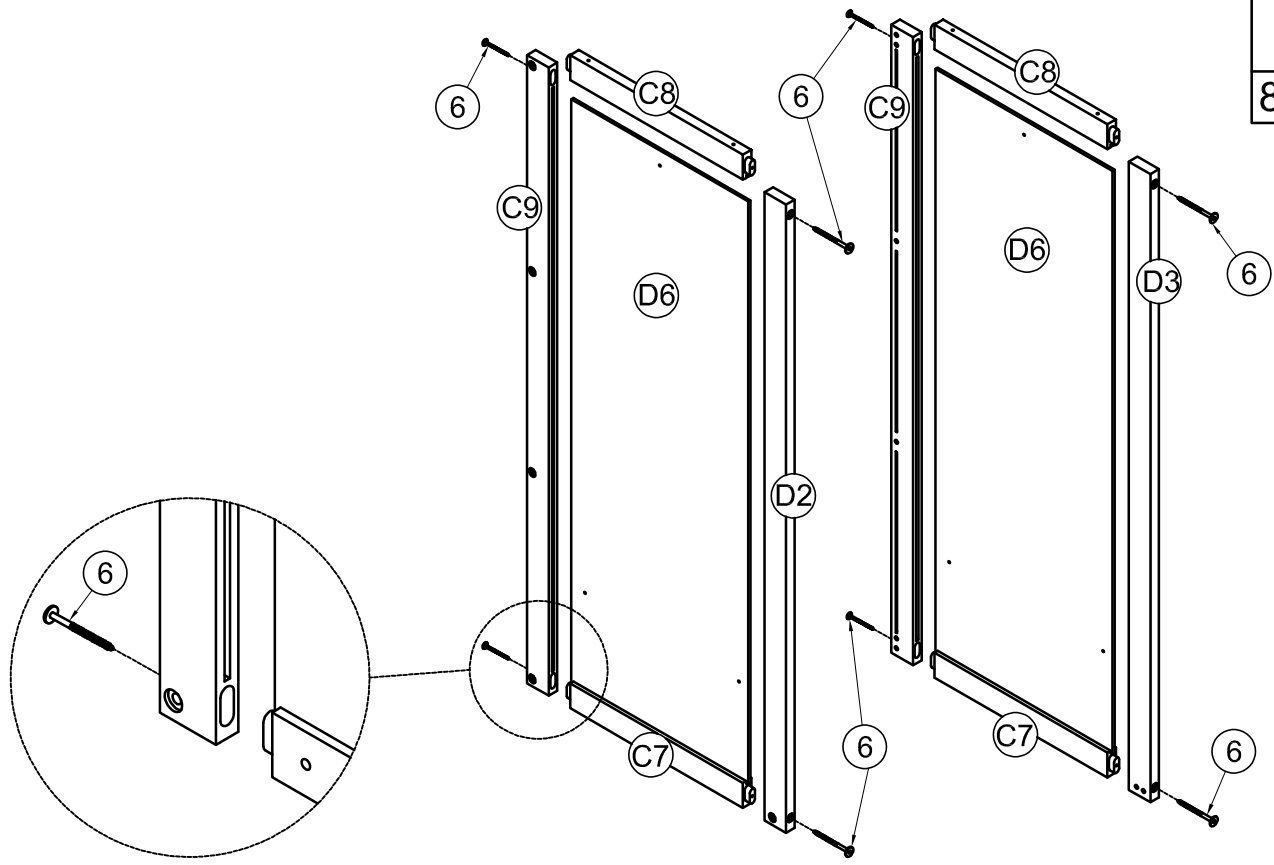
WoodBar-2pcs

Hardware List (Box 1-WF301263)



<p>1</p>  <p>Ø1/4" x 70 mm Hex-Head bolts 14pcs</p>	<p>2</p>  <p>M4 x 25 mm Wood Screws 2pcs</p>	<p>3</p>  <p>Screws 1/4" x30 6pcs</p>
<p>4</p>  <p>M4 x 50 mm Wood Screws 2pcs</p>	<p>5</p>  <p>Screws 1/4" x50 12pcs</p>	<p>6</p>  <p>Screws 1/4" x60 18pcs</p>
<p>7</p>  <p>Screws 1/4" x80 4pcs</p>	<p>8</p>  <p>Ø1/4" x 13 mm Horizontal-Hole bolts 18pcs</p>	<p>9</p>  <p>Ø10 x 40 mm Wood dowel 27pcs</p>
<p>10</p>  <p>Ø8 x 30 mm Wood dowel 25pcs</p>	<p>11</p>  <p>Allen Key 1pc</p>	<p>12</p>  <p>Ø1/4" x 60 mm Hex-Head bolts 4pcs</p>
<p>13</p>  <p>M4 x 30 mm Wood Screws 54pcs</p>	<p>16</p>  <p>Handle Wood 2pcs</p>	<p>17</p>  <p>M4 x 15 mm Wood Screws 12pcs</p>
<p>18</p>  <p>Screws 1/4" x70 2pcs</p>	<p>19</p>  <p>Ø6 x 30 mm Wood dowel 4pcs</p>	<p>20</p>  <p>Screws 1/4" x40 33pcs</p>
<p>21</p>  <p>Screws 1/4" x100 8pcs</p>	 <p>Assembly Tools Required (Not Included)</p>	

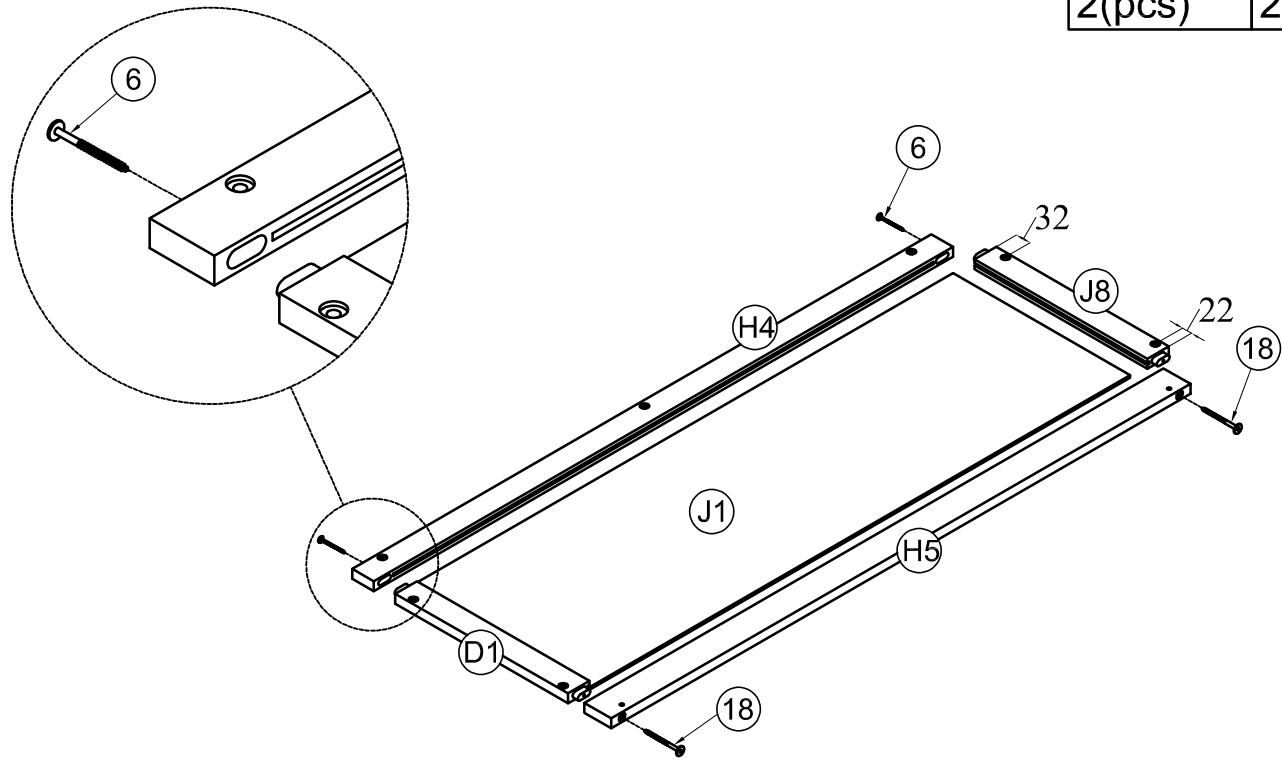
STEP1: Following below illustration.

6

8(pcs)

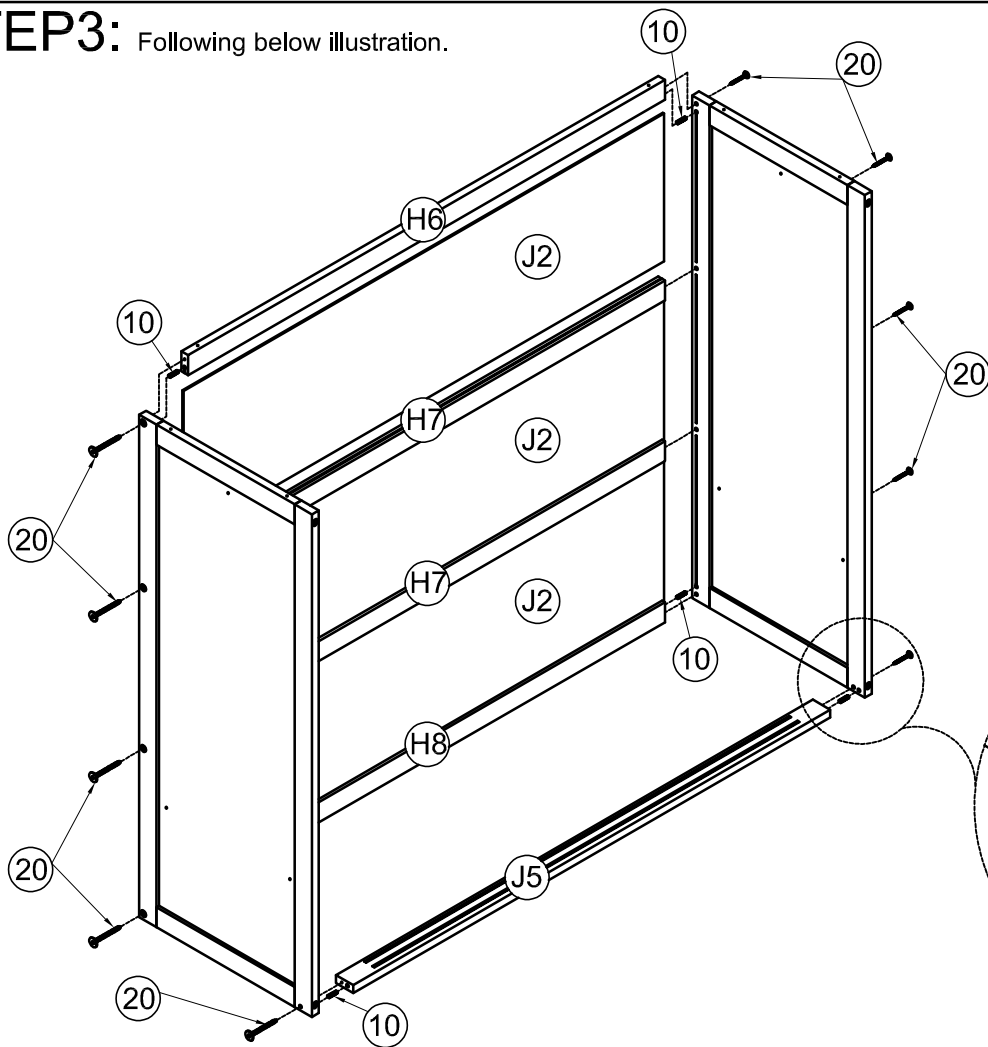




STEP2: Following below illustration.

6	18
	
2(pcs)	2(pcs)

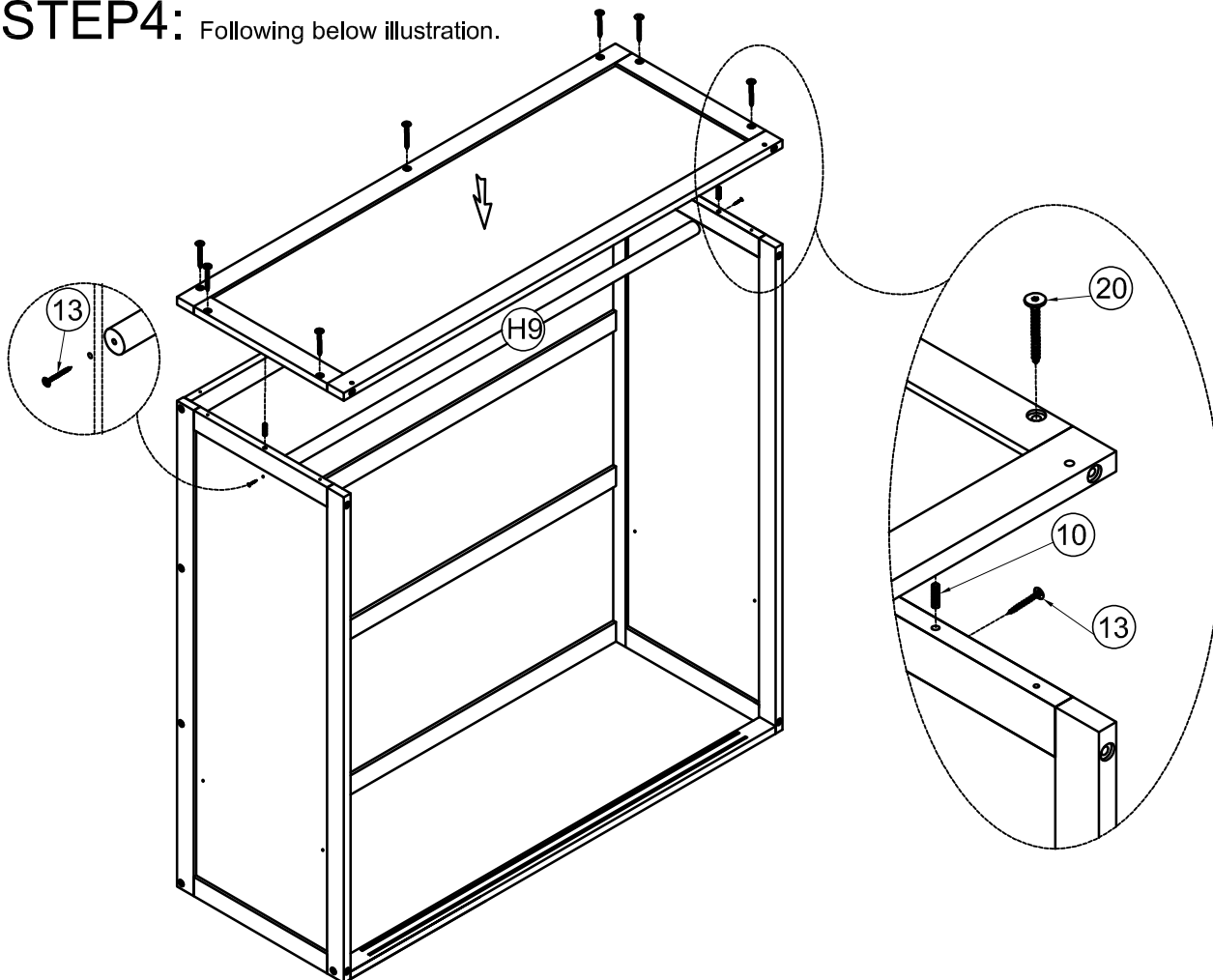





STEP3: Following below illustration.



10		20	
6(pcs)		10(pcs)	

STEP4: Following below illustration.



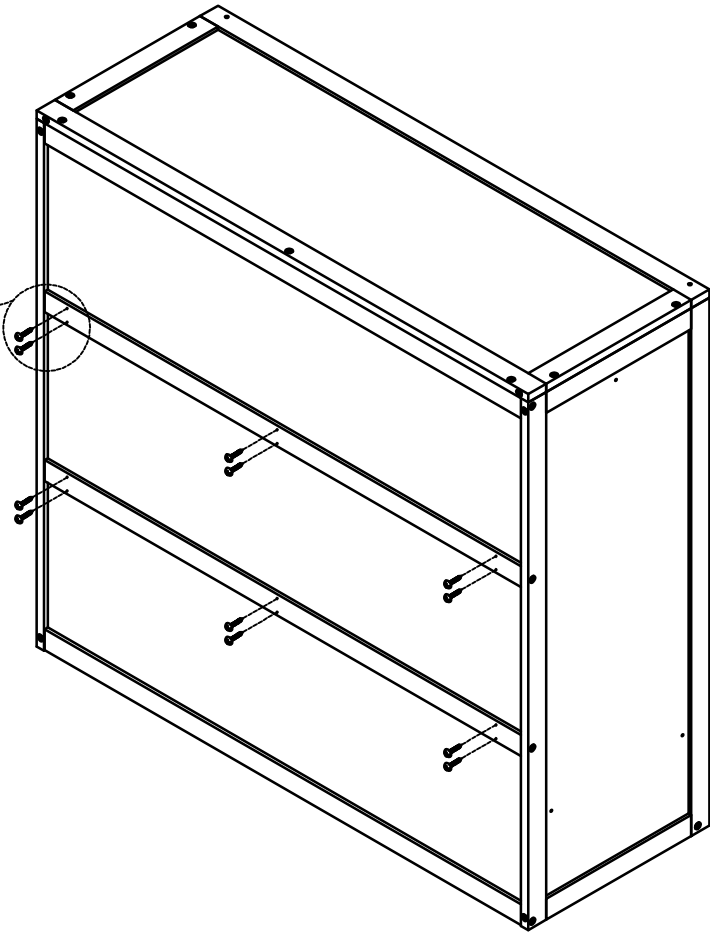
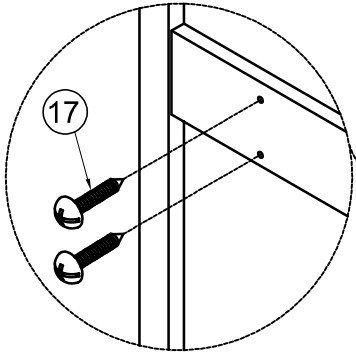
20	
7(pcs)	
10	
2(pcs)	
13	
2(pcs)	

STEP5: Following below illustration.

17



12(pcs)



STEP6: Following below illustration.

21



8(pcs)

9

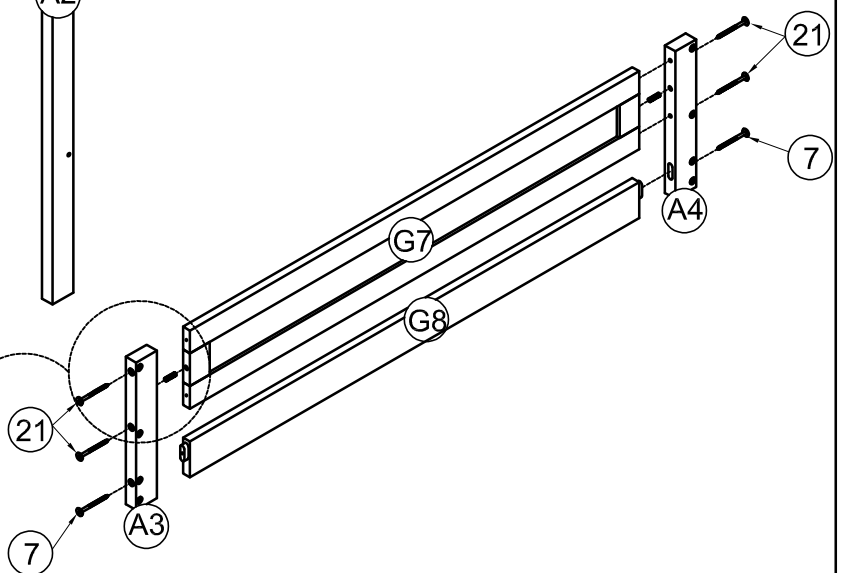
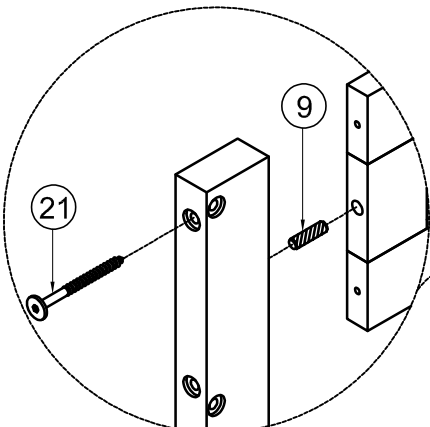
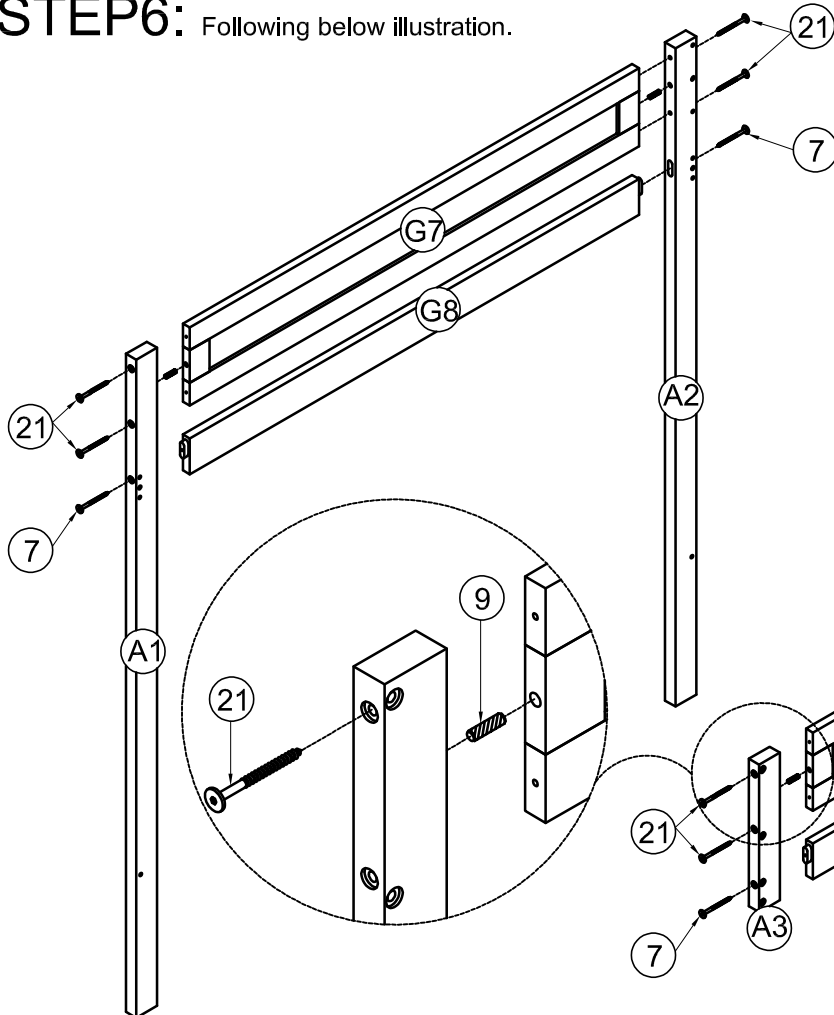


4(pcs)

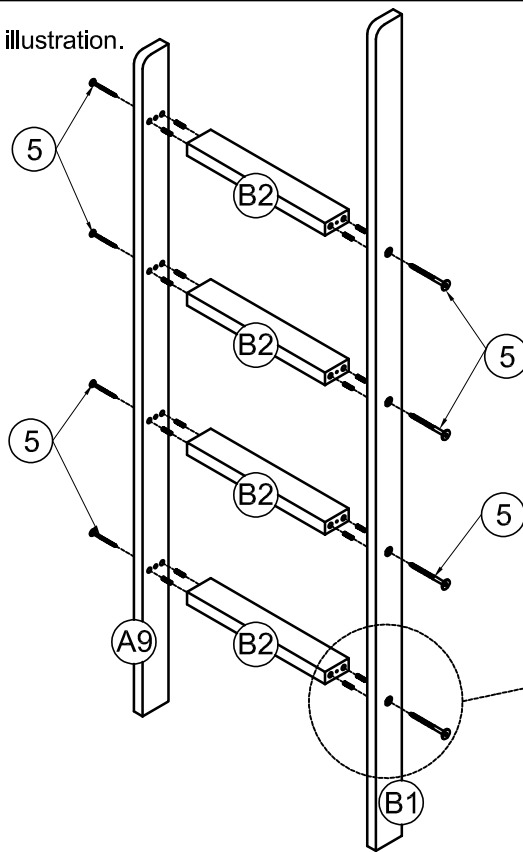
7





4(pcs)

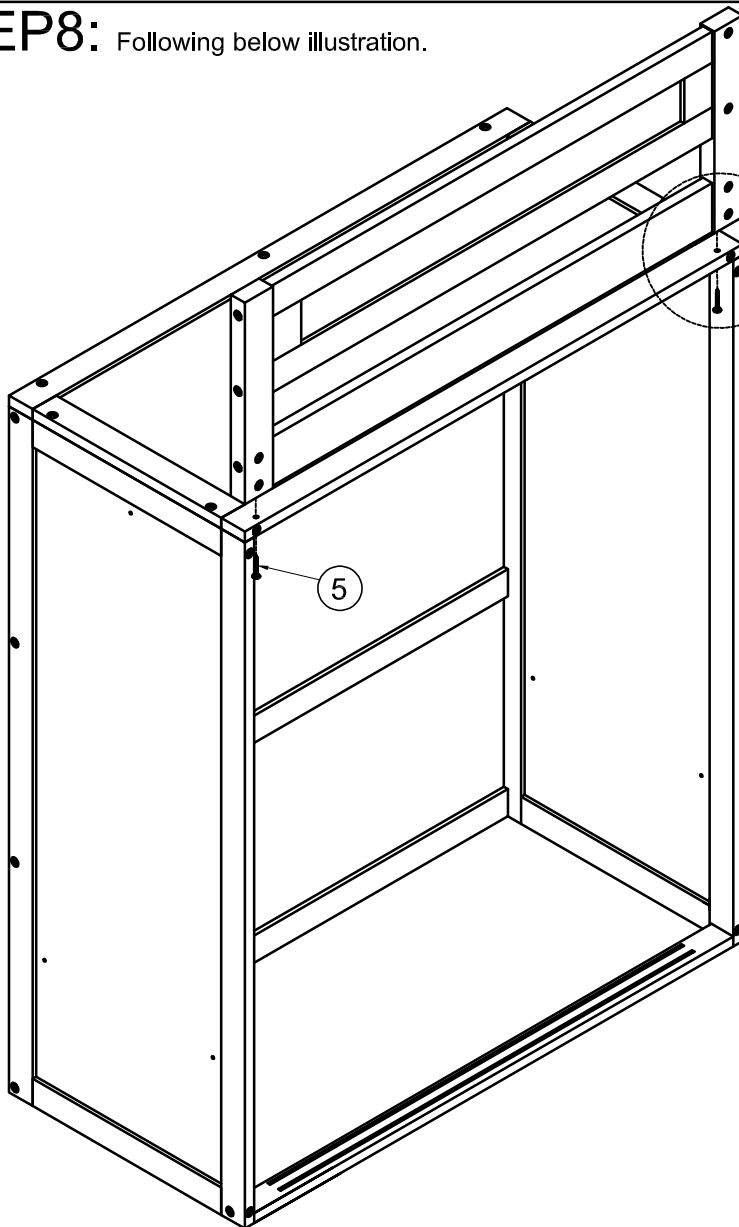



STEP7: Following below illustration.

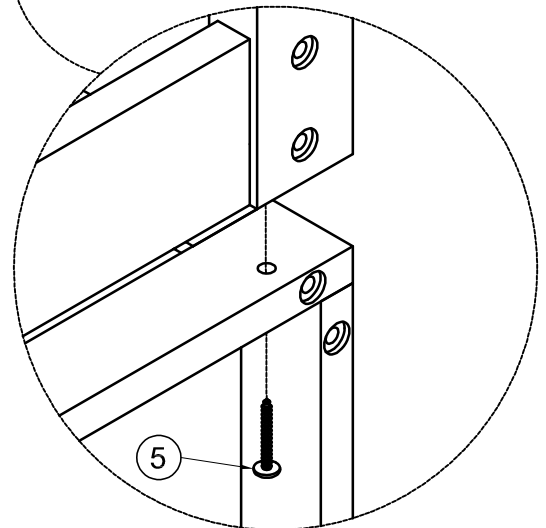


9		5	
16(pcs)		8(pcs)	


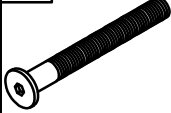

STEP8: Following below illustration.

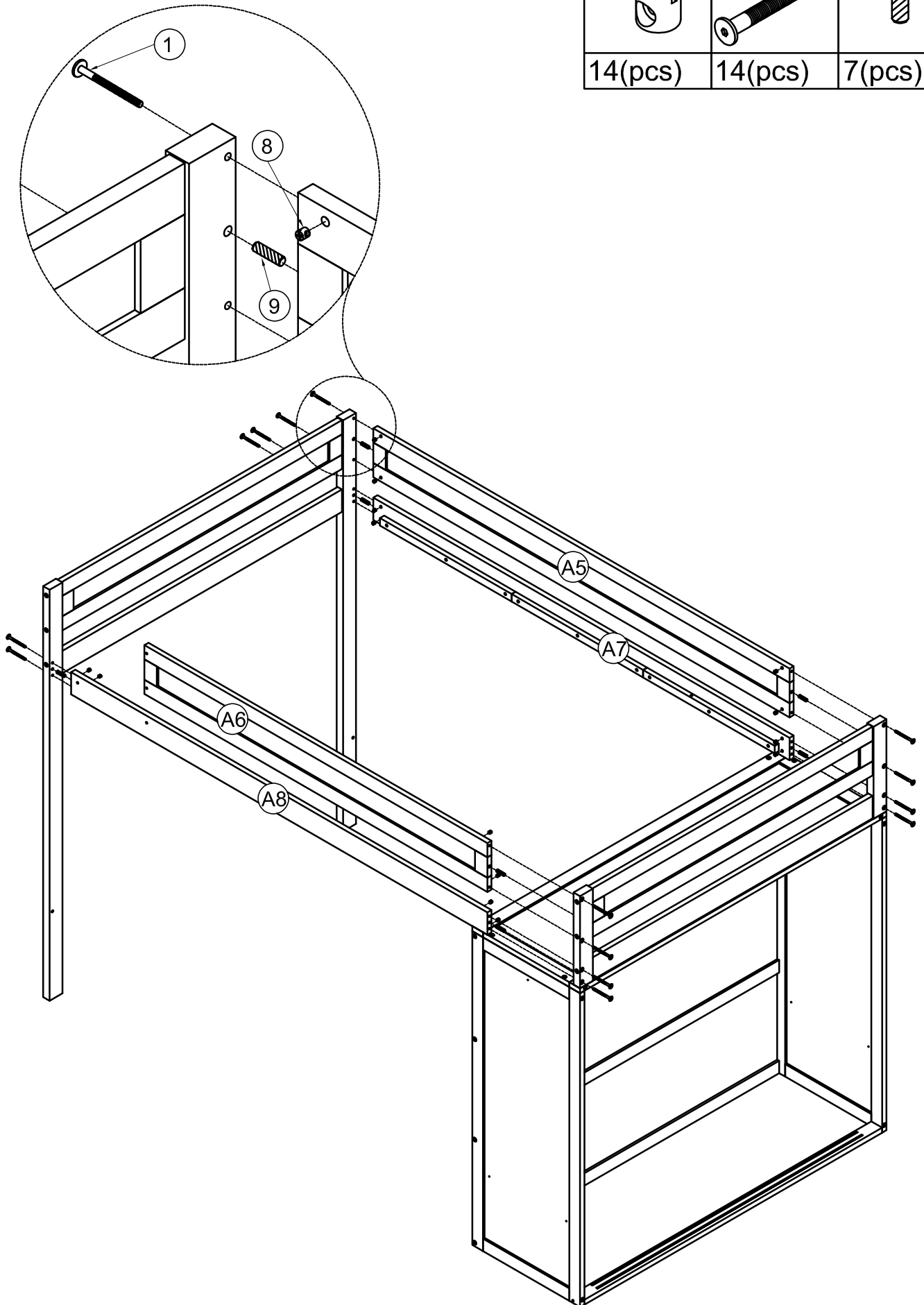


5	
2(pcs)	



STEP9: Following below illustration.

8	1	9
		
14(pcs)	14(pcs)	7(pcs)

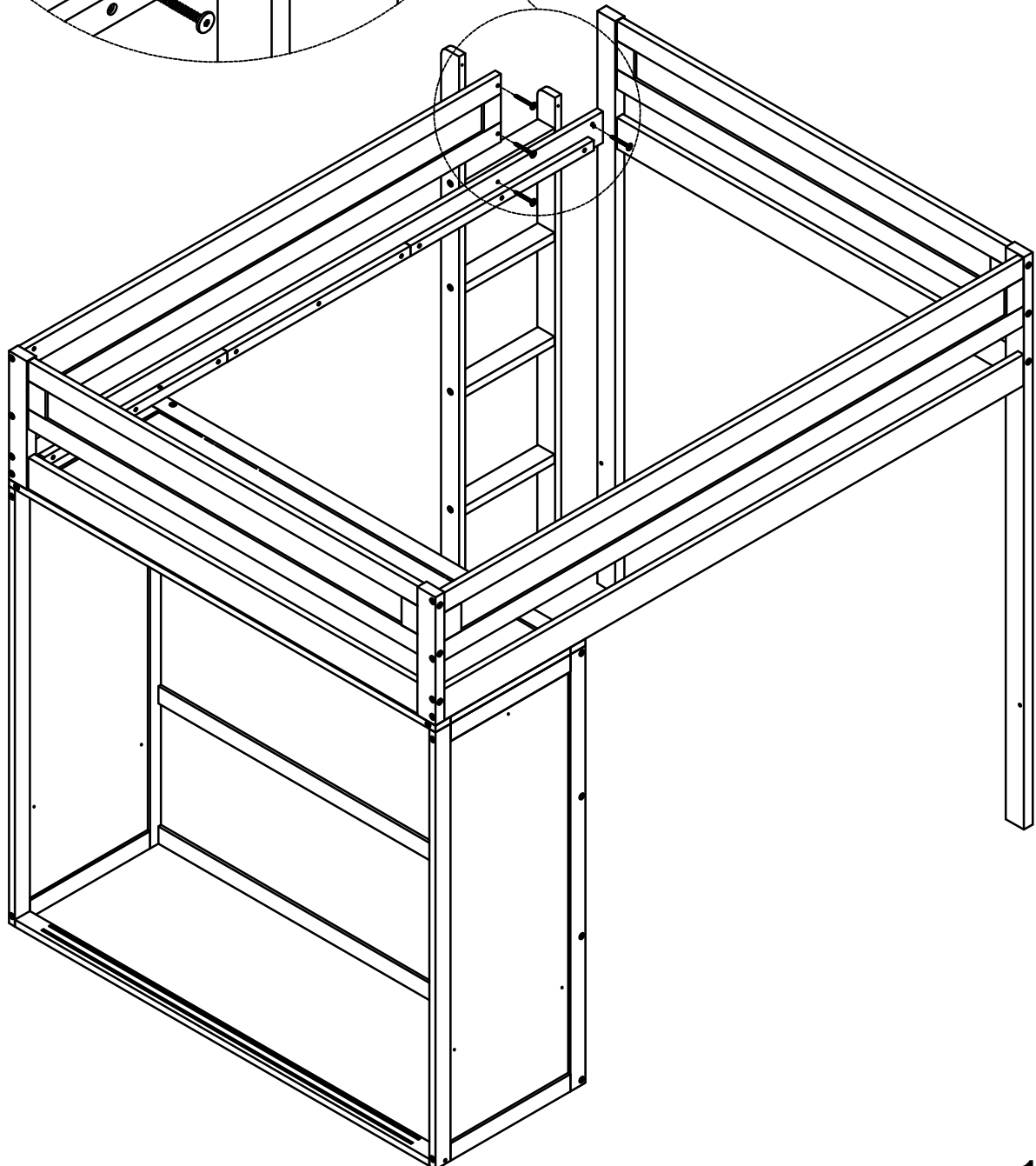
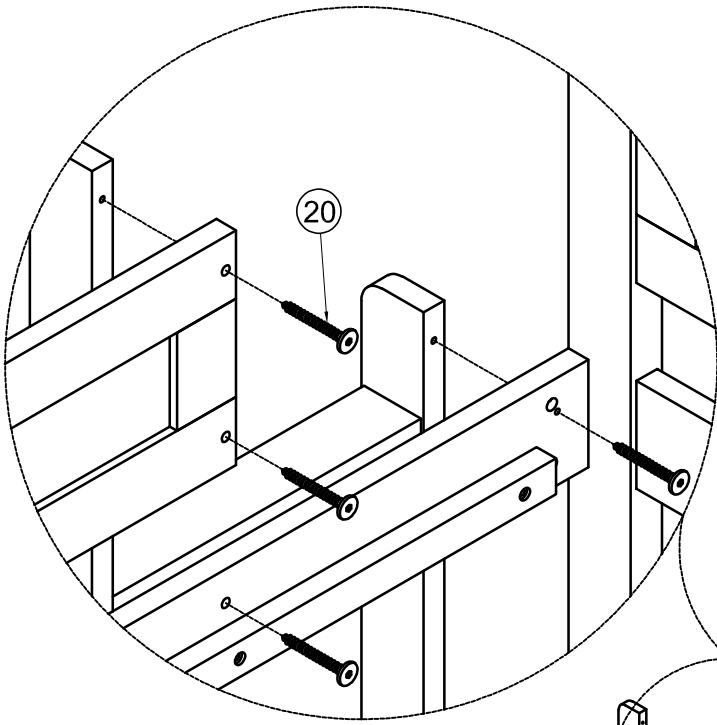


STEP10: Following below illustration.

20



4(pcs)

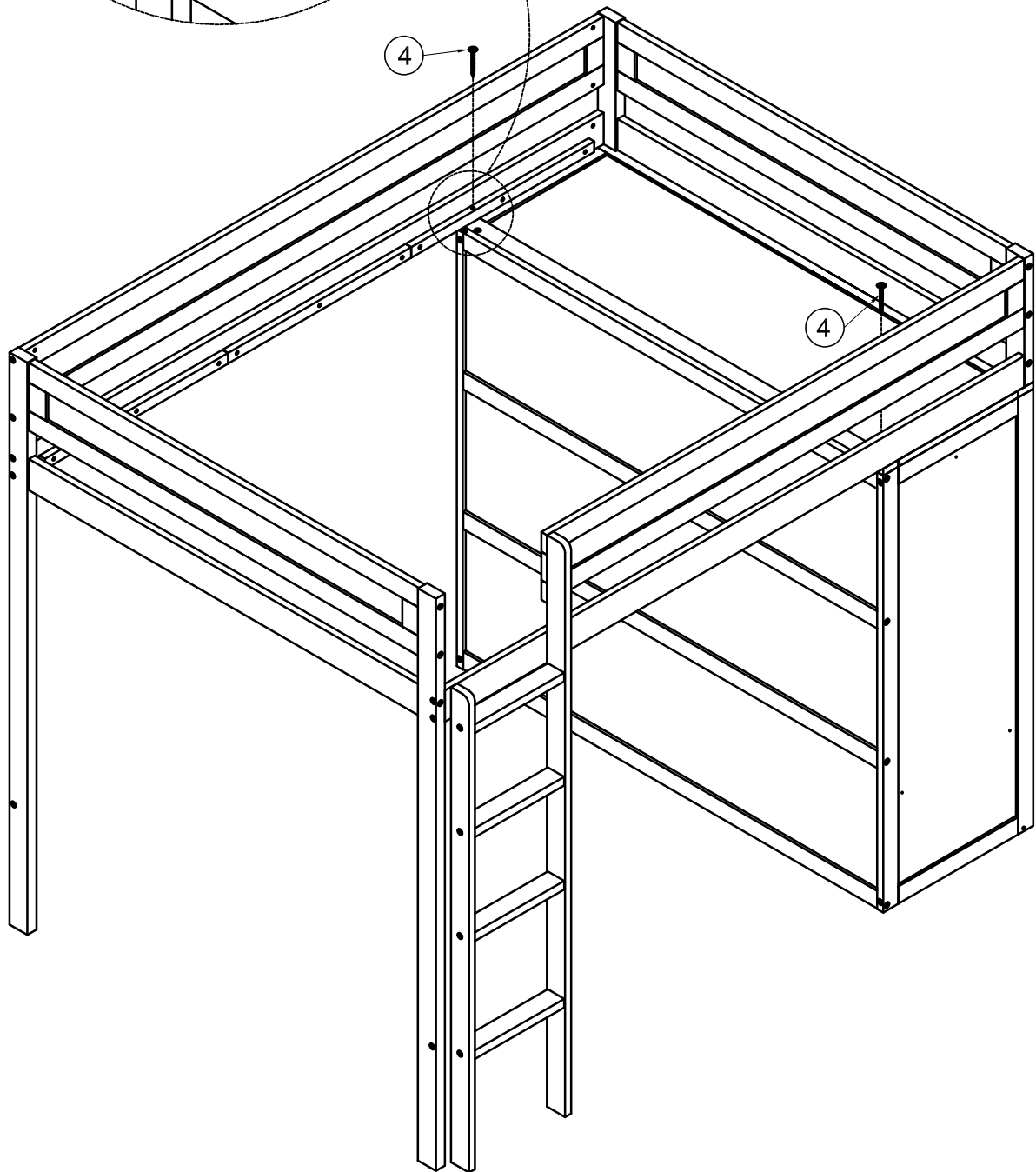
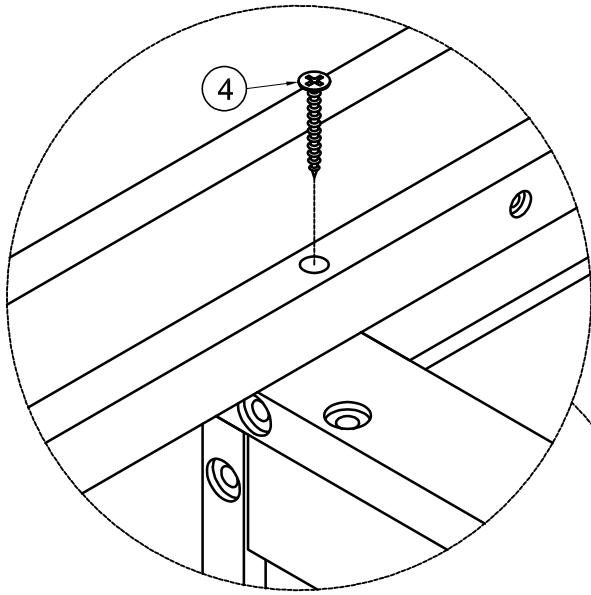


STEP11: Following below illustration.

4



2(pcs)

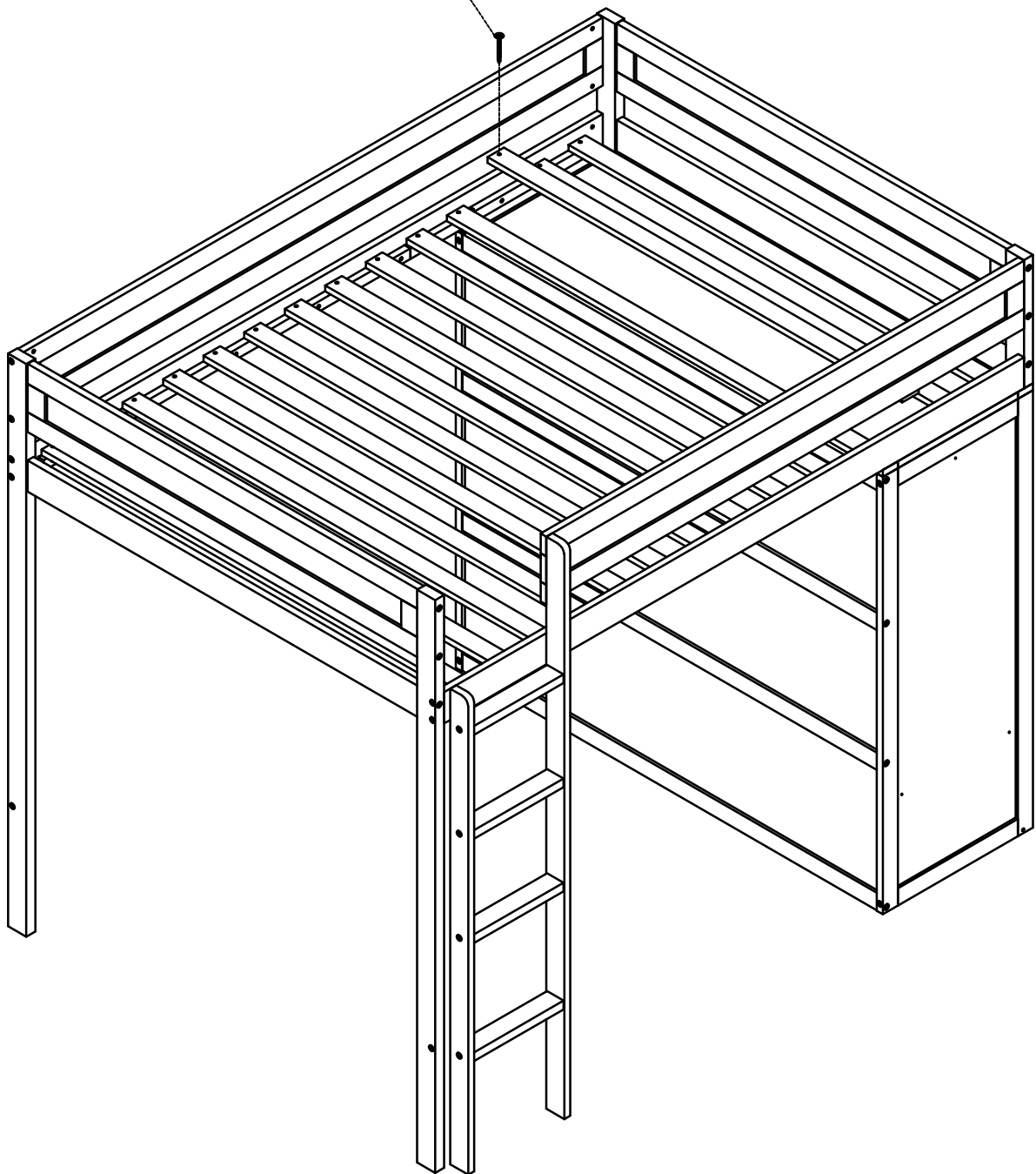
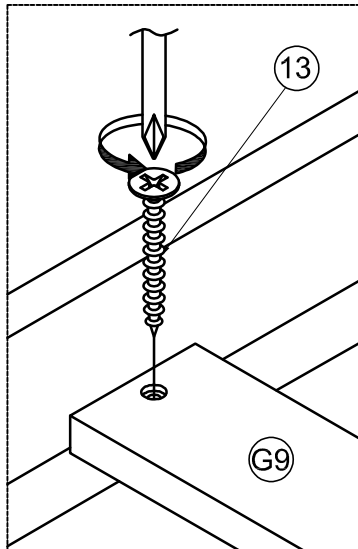


STEP12: Following below illustration.

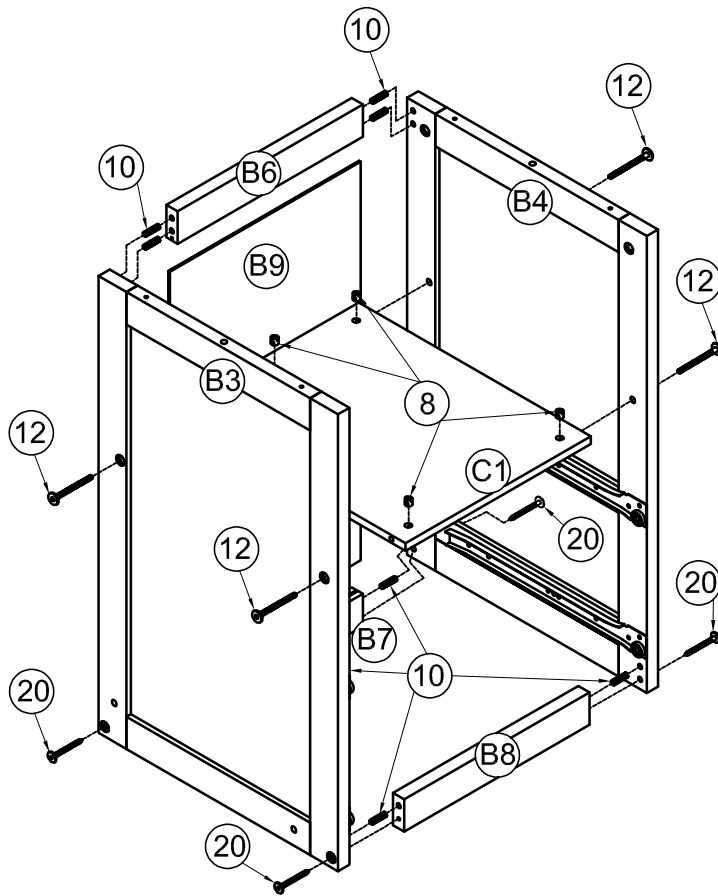
13




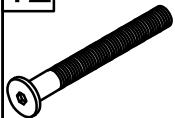


28(pcs)

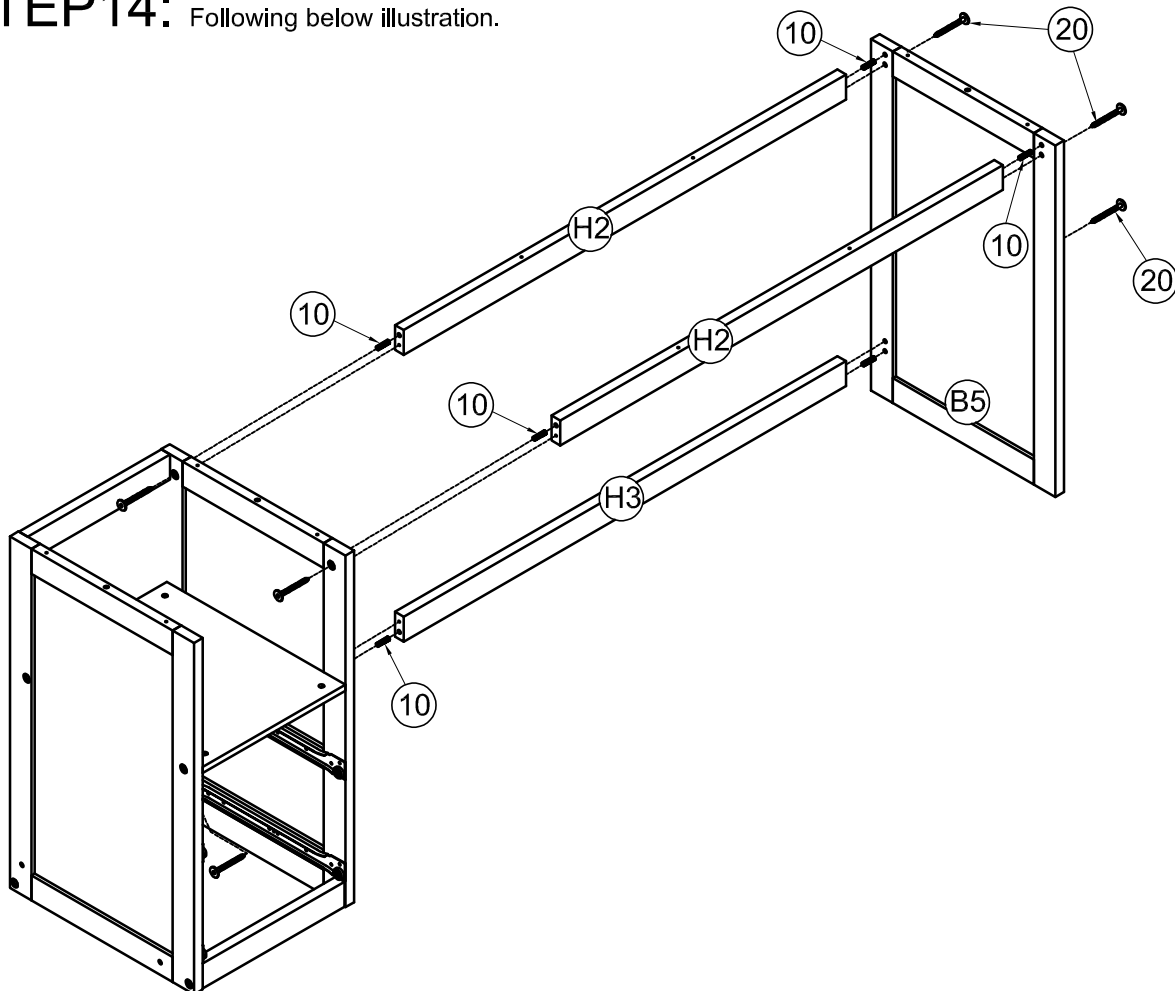




STEP13: Following below illustration.



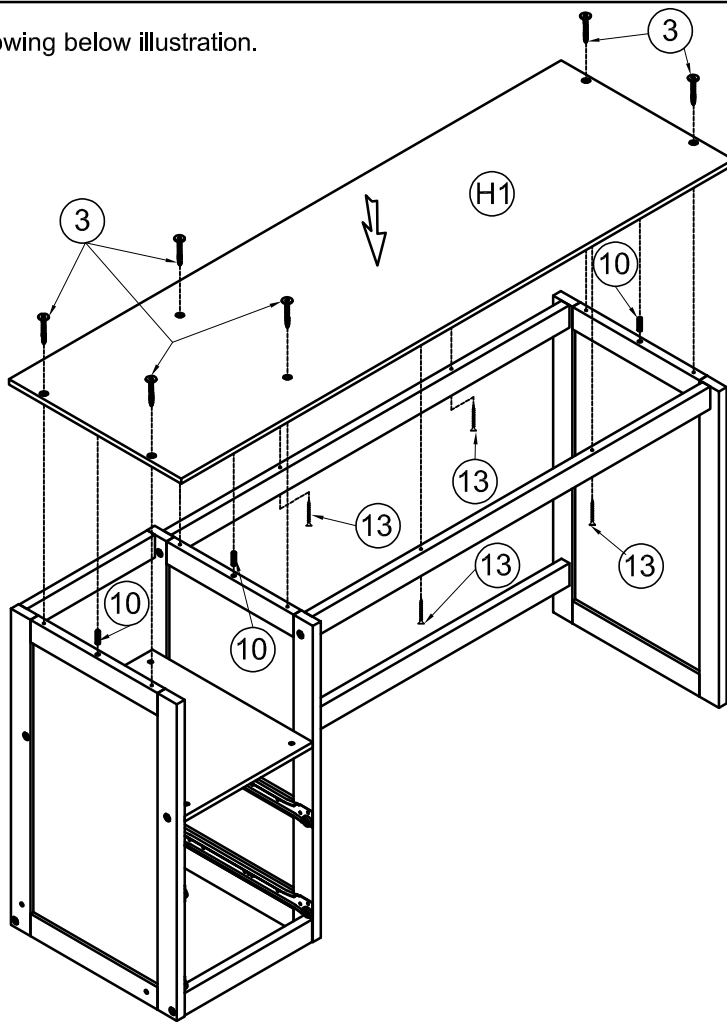
10		20	
8(pcs)		4(pcs)	
8		12	
4(pcs)		4(pcs)	




STEP14: Following below illustration.



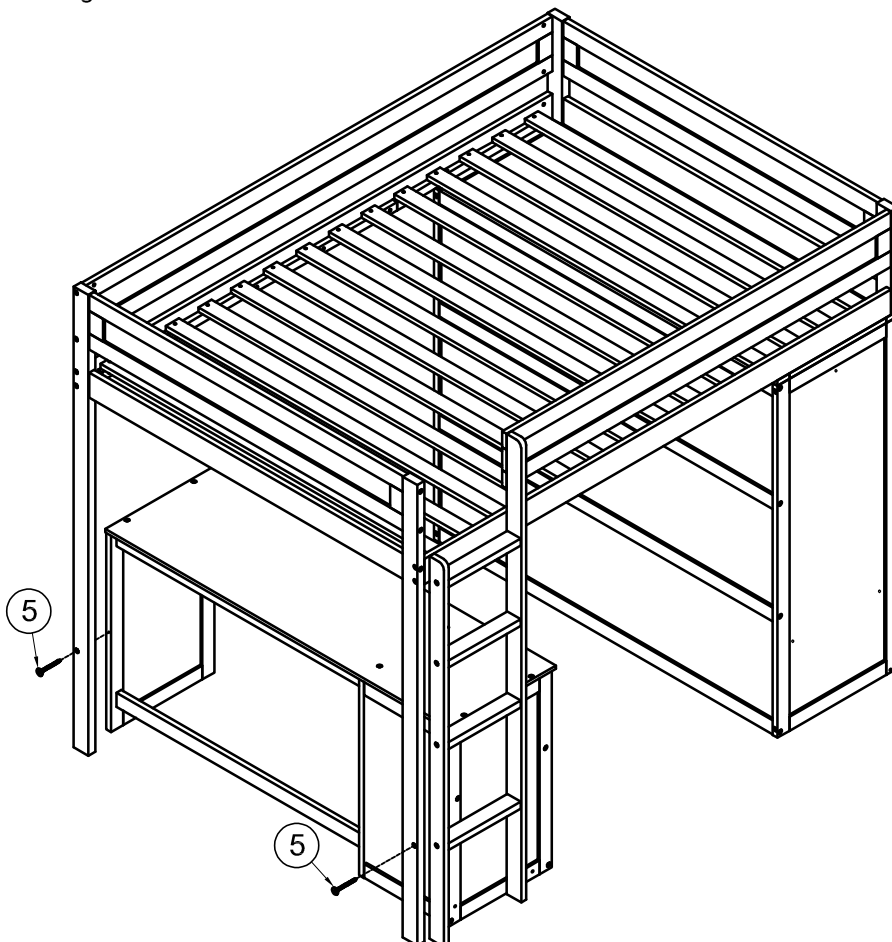
20	
6(pcs)	
10	
6(pcs)	


STEP15: Following below illustration.



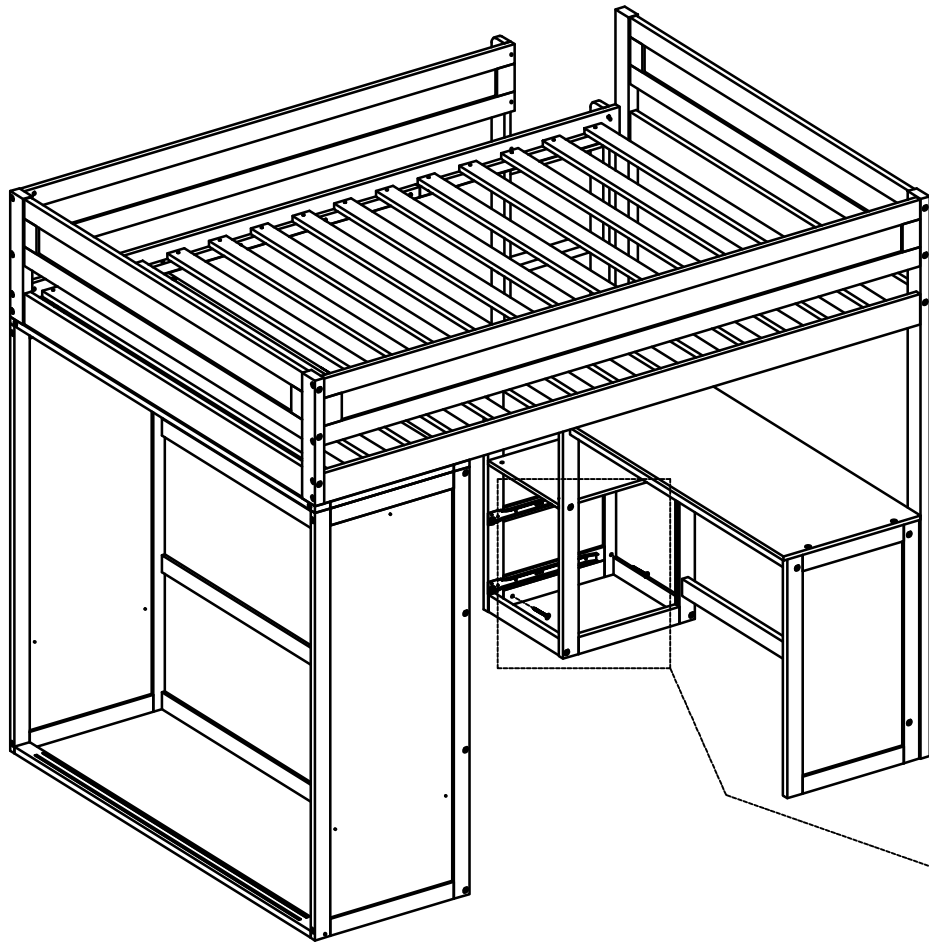
10		3	
3(pcs)		6(pcs)	
		13	
		4(pcs)	

STEP16: Following below illustration.



5	
2(pcs)	

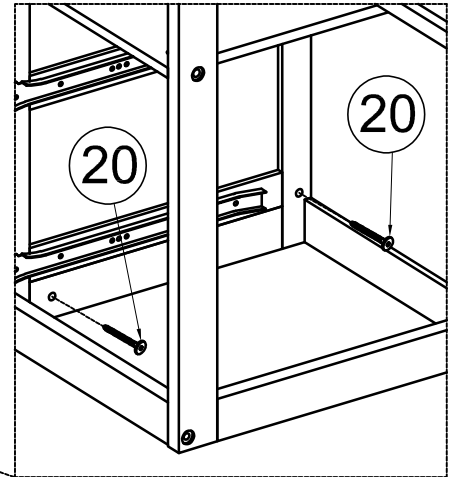
STEP17: Following below illustration.



20



2(pcs)



STEP18: Following below illustration.

13



8pcs

16

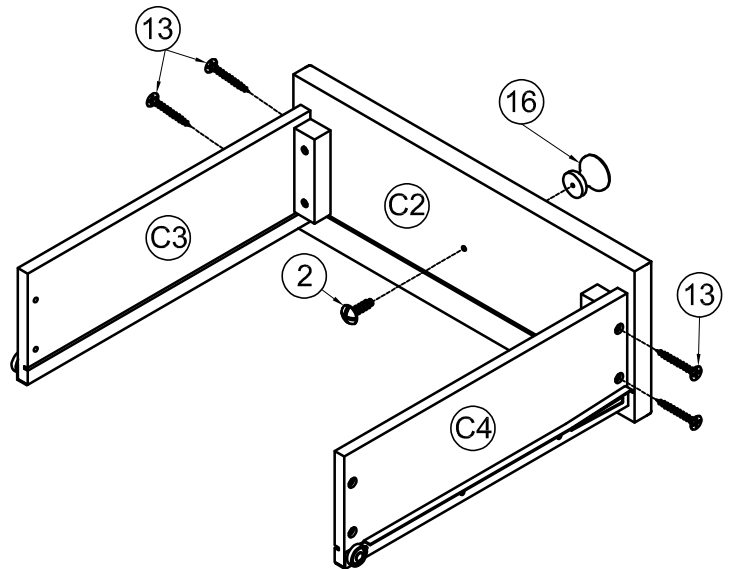
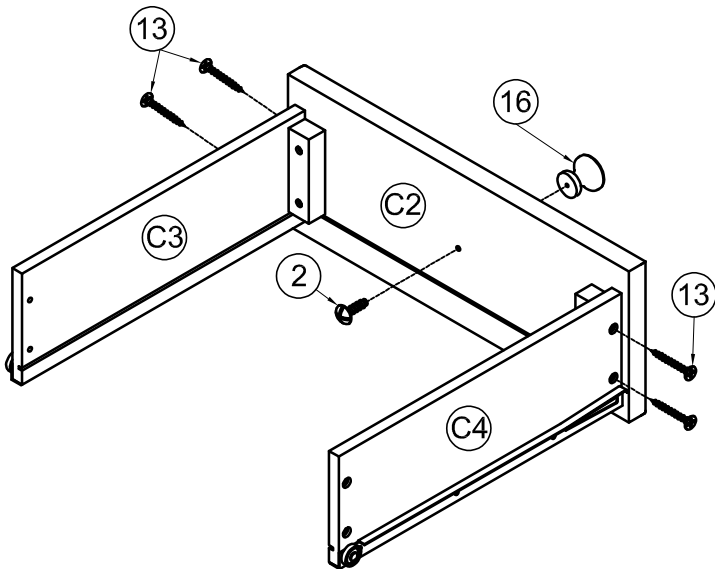


2pcs


2

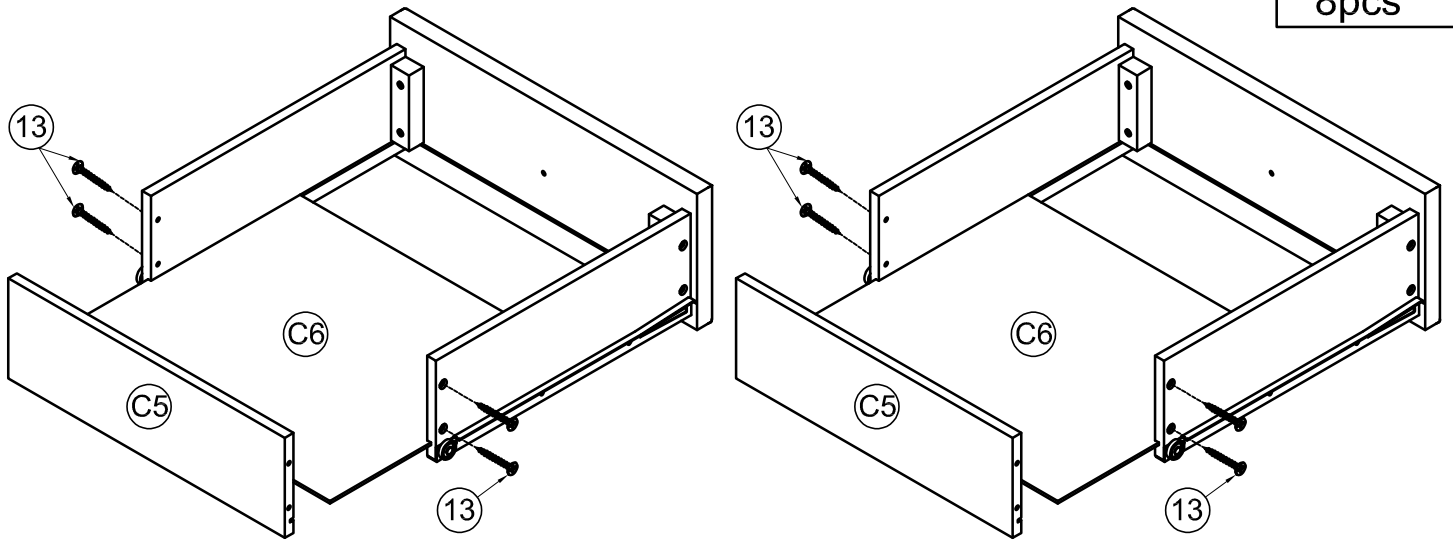


2pcs

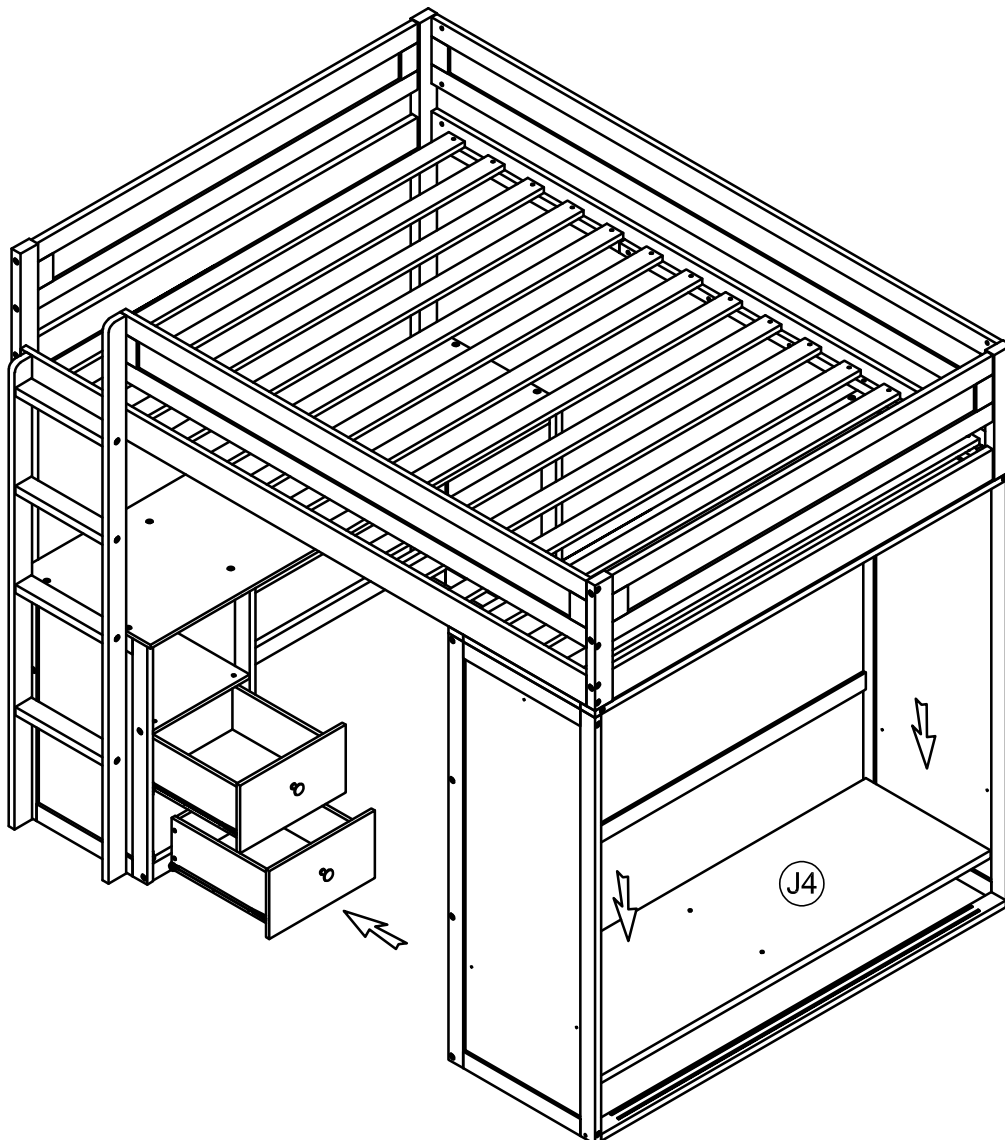


STEP19: Following below illustration.

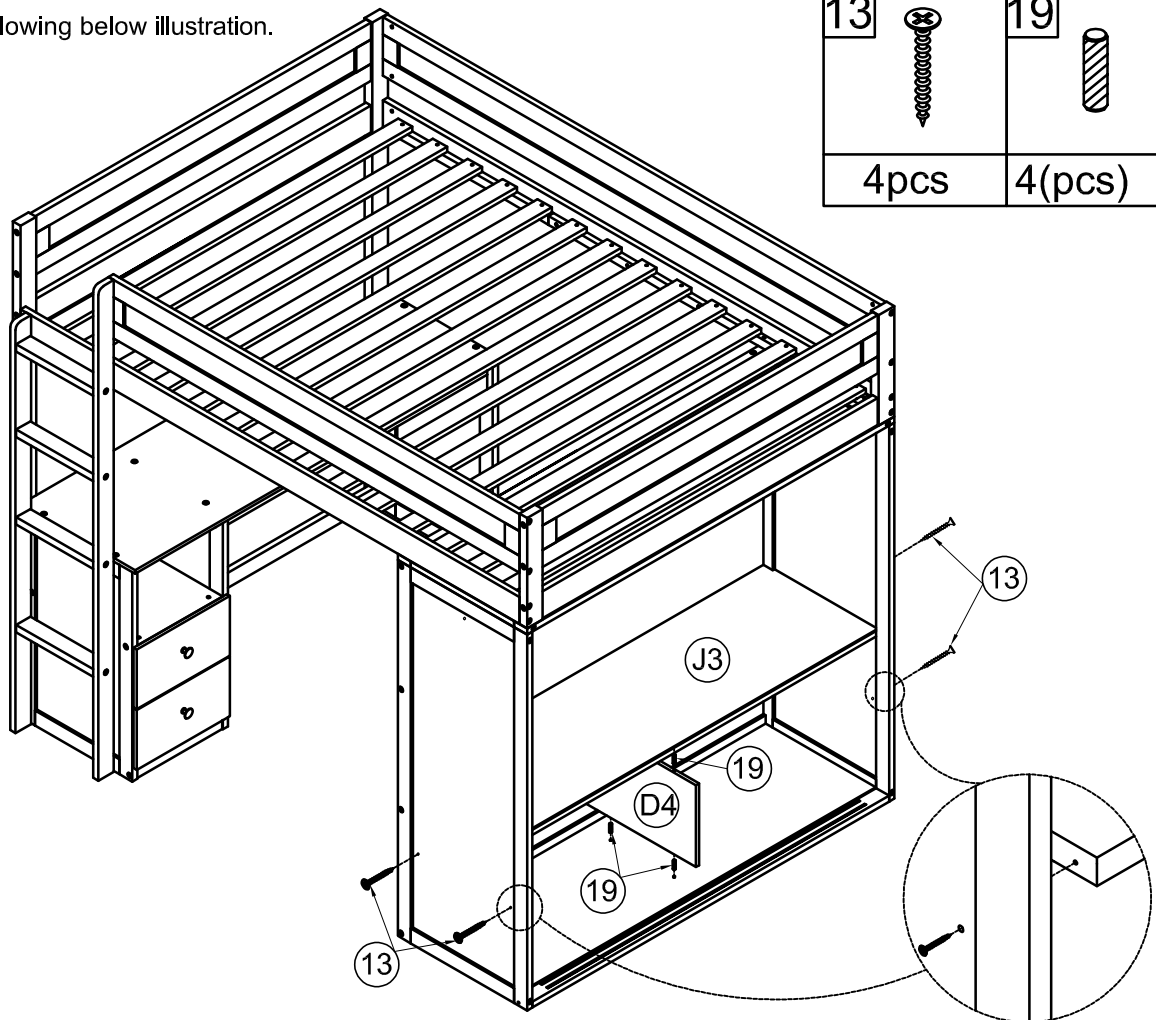
13 
8pcs



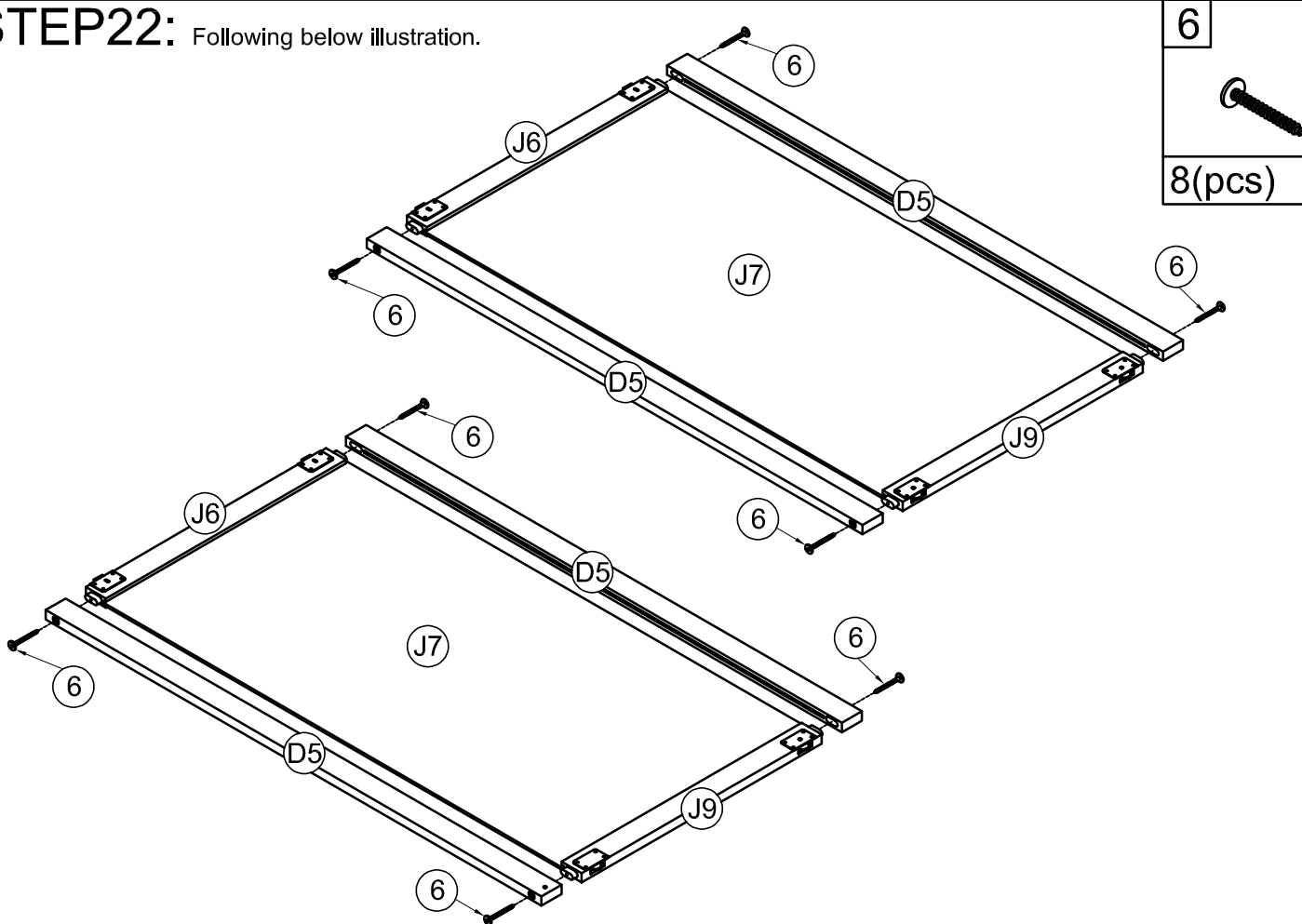
STEP20: Following below illustration.



STEP21: Following below illustration.



STEP22: Following below illustration.



STEP23: Following below illustration.

