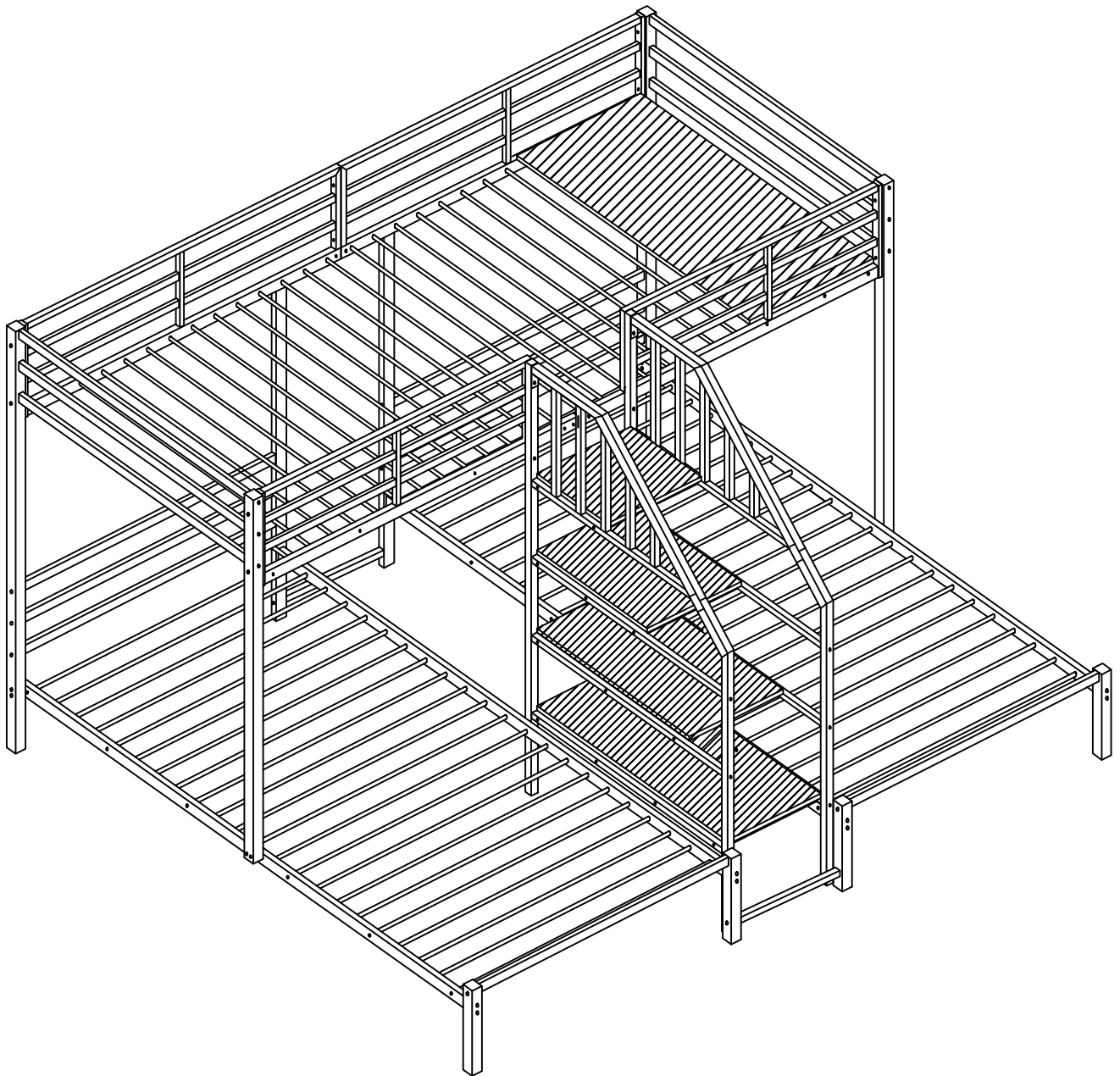


ASSEMBLY INSTRUCTION

TRIPLE BUNK BED



WF298026/WF298027

SAFETY WARNINGS AND GENERAL NOTES:

1. Follow the information on the warnings on the bunk bed end structure and on the carton. Do not remove the warning label from the bed.
2. Always use the recommended size mattress on mattress support, or both, to help prevent the likelihood of entrapment or falls.
3. Do not allow children under 6 years of age to use the upper bunk.
4. Periodically check and ensure the guardrail, ladder and other components are in their proper position, free from damage, and all connectors are tight.
5. Do not allow horseplay on or under beds.
6. Always prohibit jumping on the bed.
7. Prohibit more than one person on upper bunk.
8. Always use the ladder for entering and leaving the upper bunk.
9. Do not use substitute parts. Contact the manufacturer or dealer for replacement parts.
10. Use of a night-tight may provide added safety precaution for a child using the upper bunk.
11. Always use guardrails on both long sides of the upper bunk.
12. If the bunk bed will be placed next to a wall, the guardrail that runs the full length of the bed should be placed against the wall to prevent entrapment between the bed and the wall.

The use of water or sleep flotation mattresses is prohibited.

13. **STRANGULATION HAZARD**-Never attach or hang items to any part of the bunk bed that are not designed for use with the bed.

14. Keep these instructions for future reference.

15. We recommend assembling your bunk bed on the shipping carton to protect your floor or carpet.

16. Be certain all staples are out of the box before beginning assembly on the shipping carton.

17. **USE ONLY MATTRESSES WHICH ARE AS THE TABLE BELOW ON UPPER AND ON LOWER BUNKS.**

Up bed (bunk bed and tribed included)

Bed type	Length	Width	Thickness
----------	--------	-------	-----------

Twin Standard	74" – 75"	38-1/2"	6"
---------------	-----------	---------	----

Down bed

Bed type	Length	Width	Thickness
----------	--------	-------	-----------

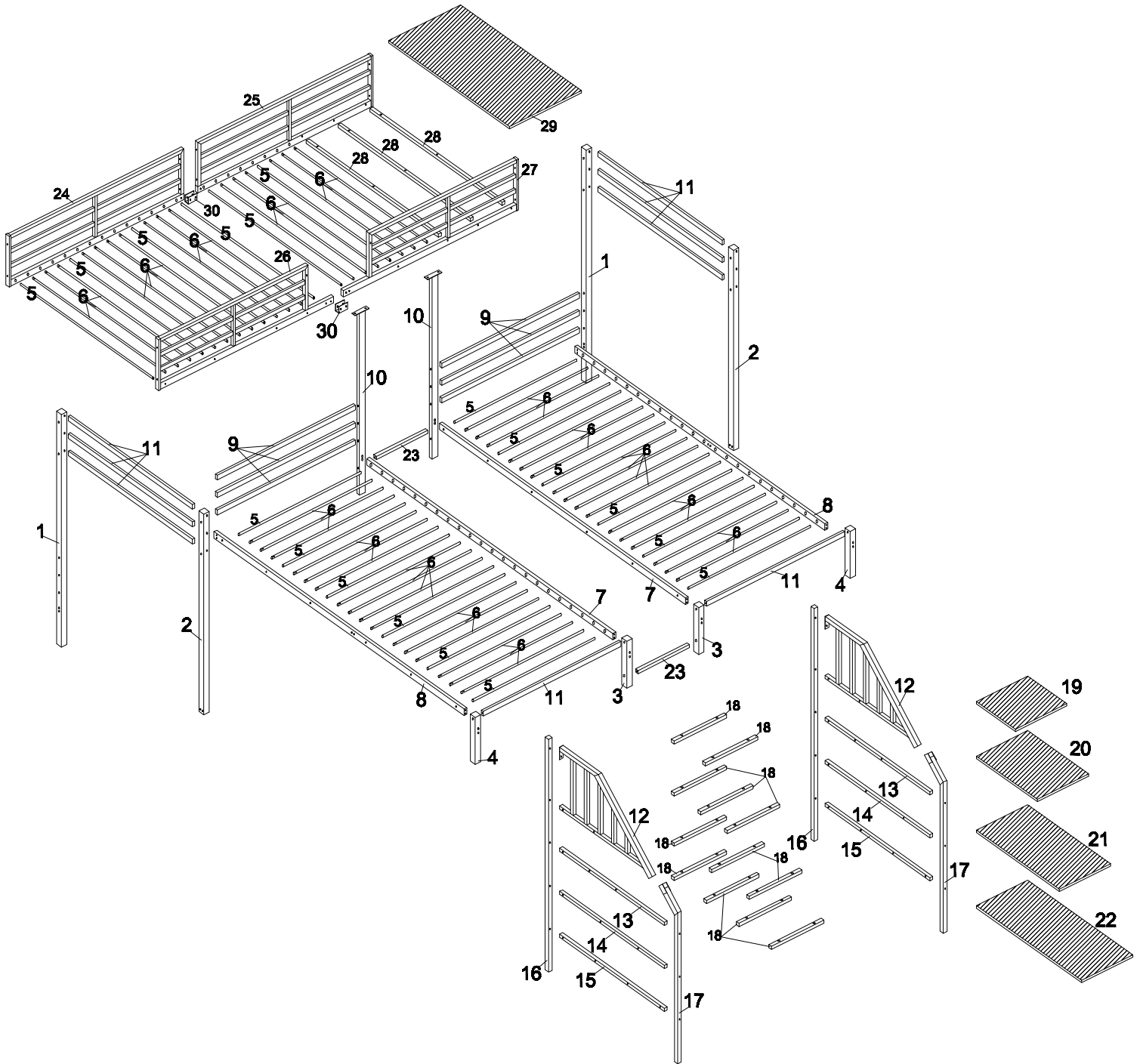
Twin Standard	74" – 75"	38-1/2"	6"
---------------	-----------	---------	----

18. **SURFACE OF MATTRESS MUST BE AT LEAST 5" (127MM) BELOW THE UPPER EDGE OF GUARDRAILS.**


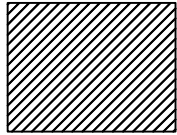

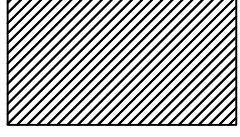
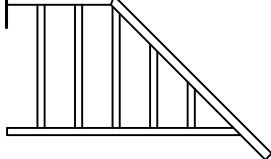
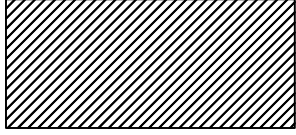
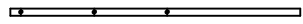
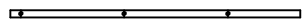

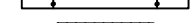

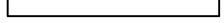
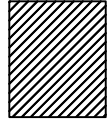
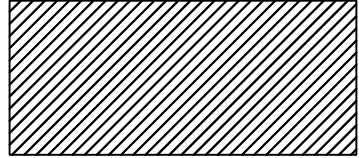
19. **Replacement Parts:**

Replacement Parts, including additional guardrails, may be obtained from any of our (GIGACLOUD TECHNOLOGY(USA) INC) dealers

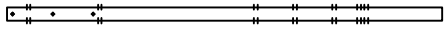
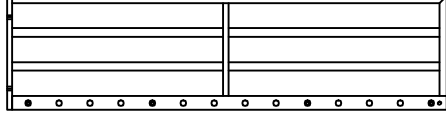
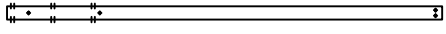
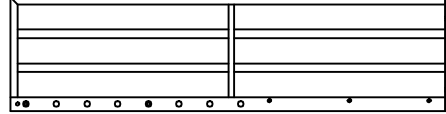
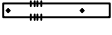
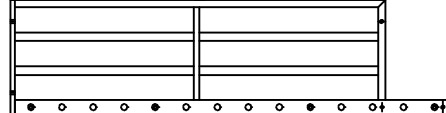
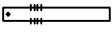
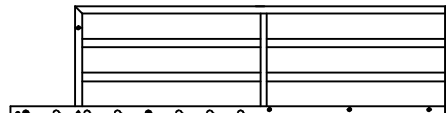
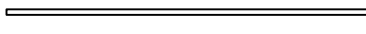
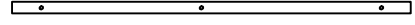
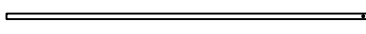
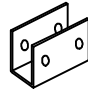
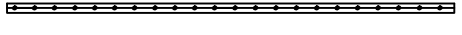
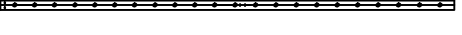
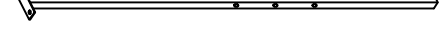

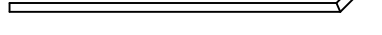
Detail View



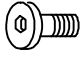
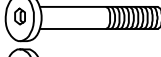
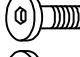
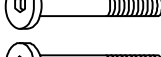

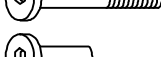
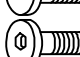


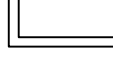
Parts List for WF298027

	9x6pcs		20x1pc
	11x8pcs		21x1pc
	12x2pcs		22x1pc
	13x2pcs		14x2pcs
	15x2pcs		18x12pcs
	19x1pc		23x2pcs
			29x1pc

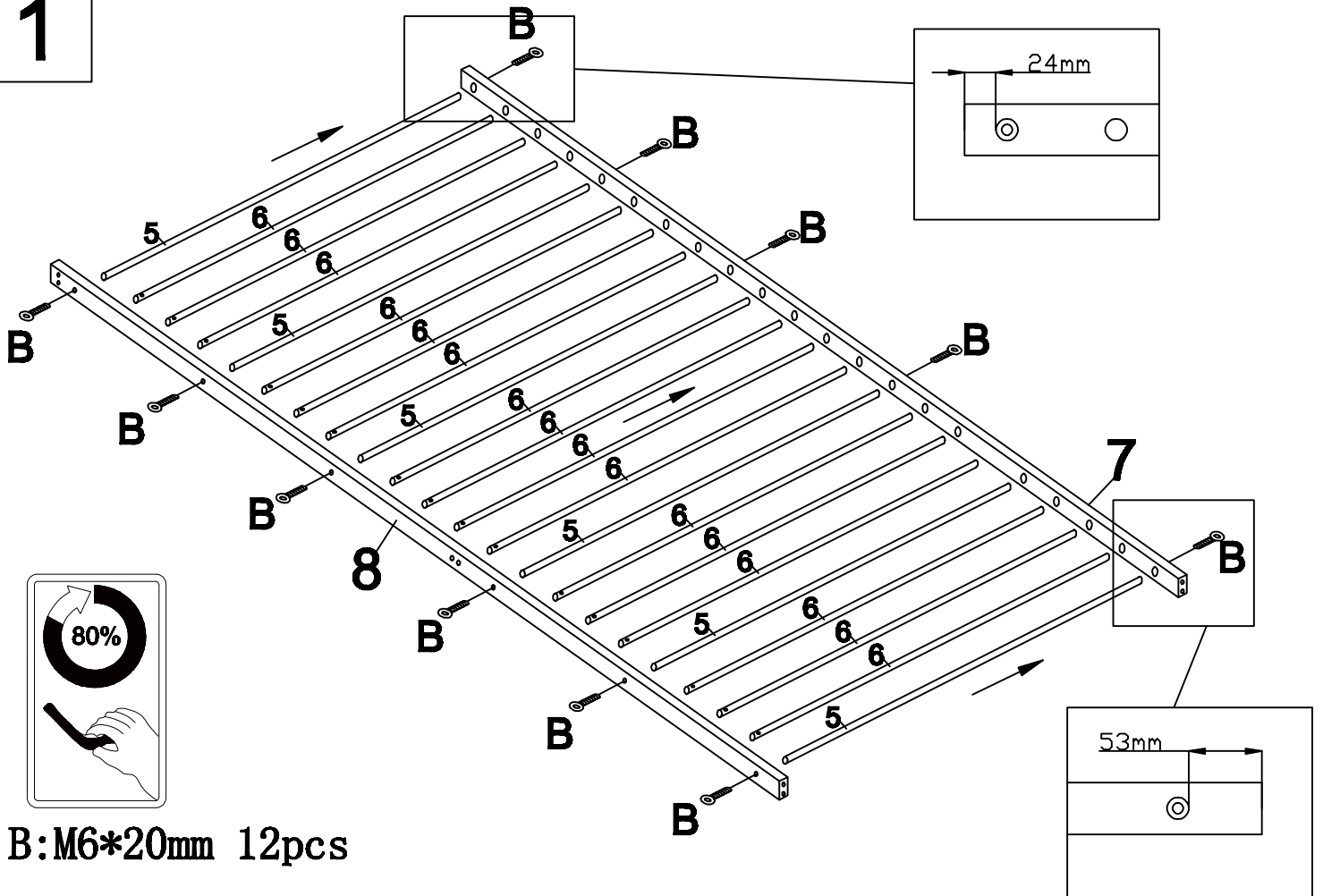
Parts List for WF298026

	1x2pcs		24x1pc
	2x2pcs		25x1pc
	3x2pcs		26x1pc
	4x2pcs		27x1pc
	5x18pcs		28x3pcs
	6x48pcs		30x2pcs
	7x2pcs		
	8x2pcs		
	10x2pcs		
	16x2pcs		
	17x2pcs		

Hardware List for WF298026

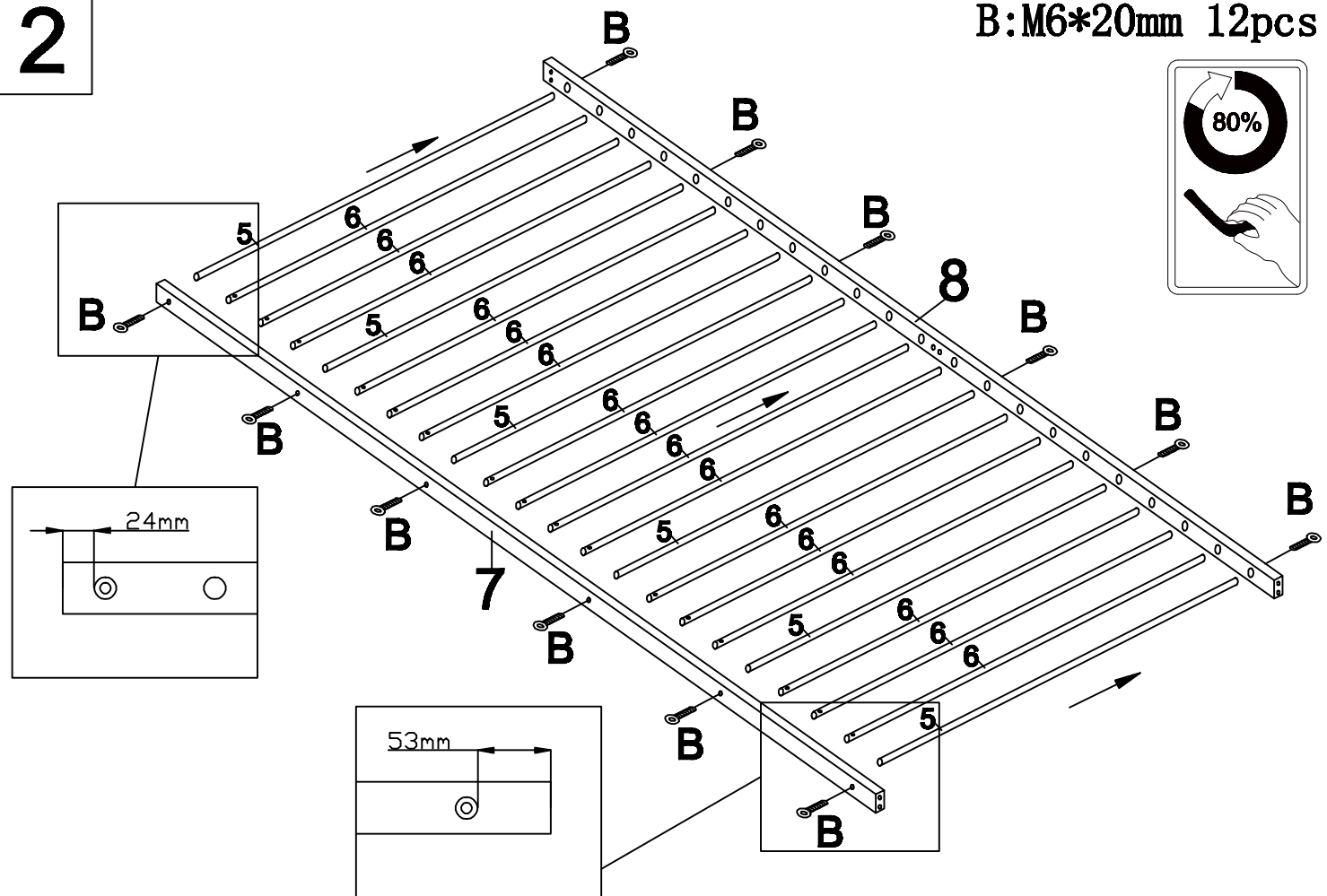
A		M6X15mm	14PCS	F		M6X50mm	8PCS
B		M6X20mm	36PCS	G		M6X55mm	36PCS
C		M6X30mm	35PCS	H		M6X60mm	4PCS
D		M6X40mm	46PCS	I		M6	26PCS
E		M6X45mm	14PCS	J			2PCS

1

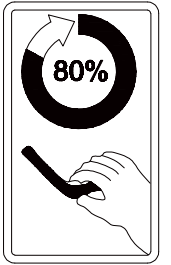
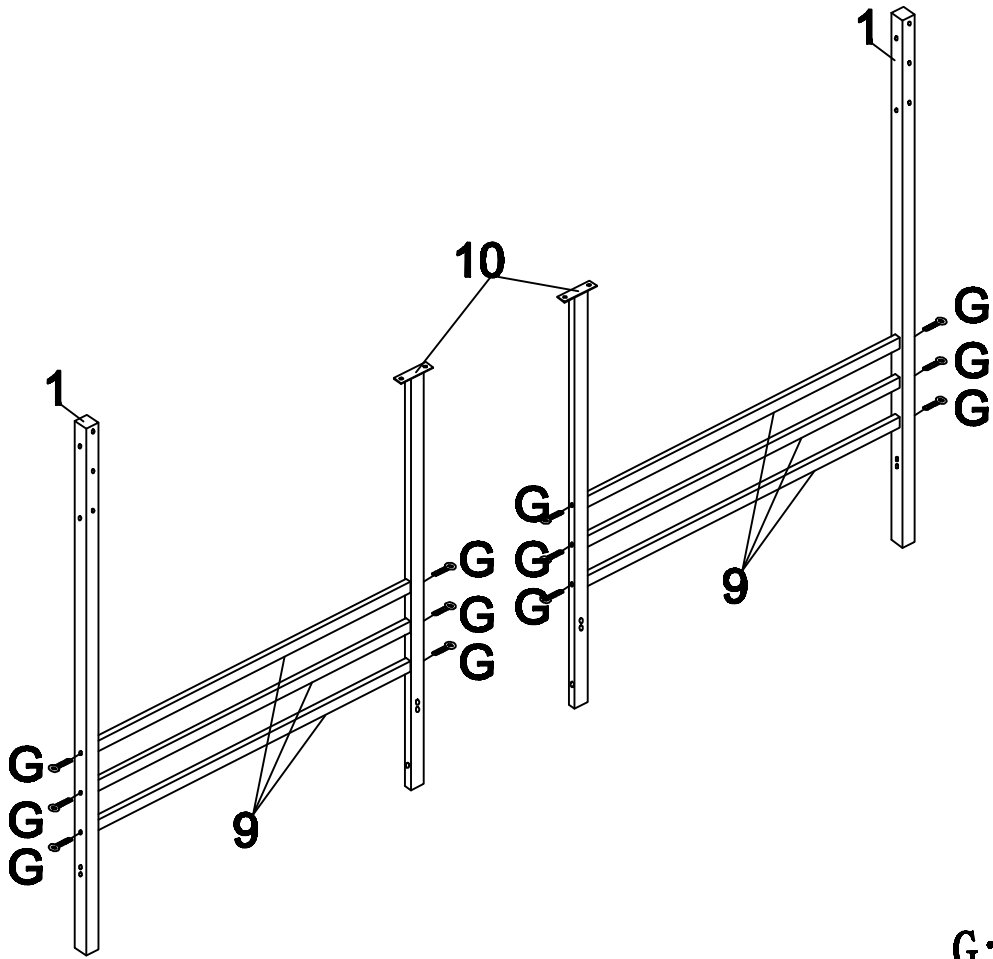


2

B: M6*20mm 12pcs

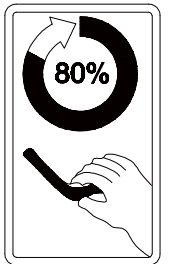
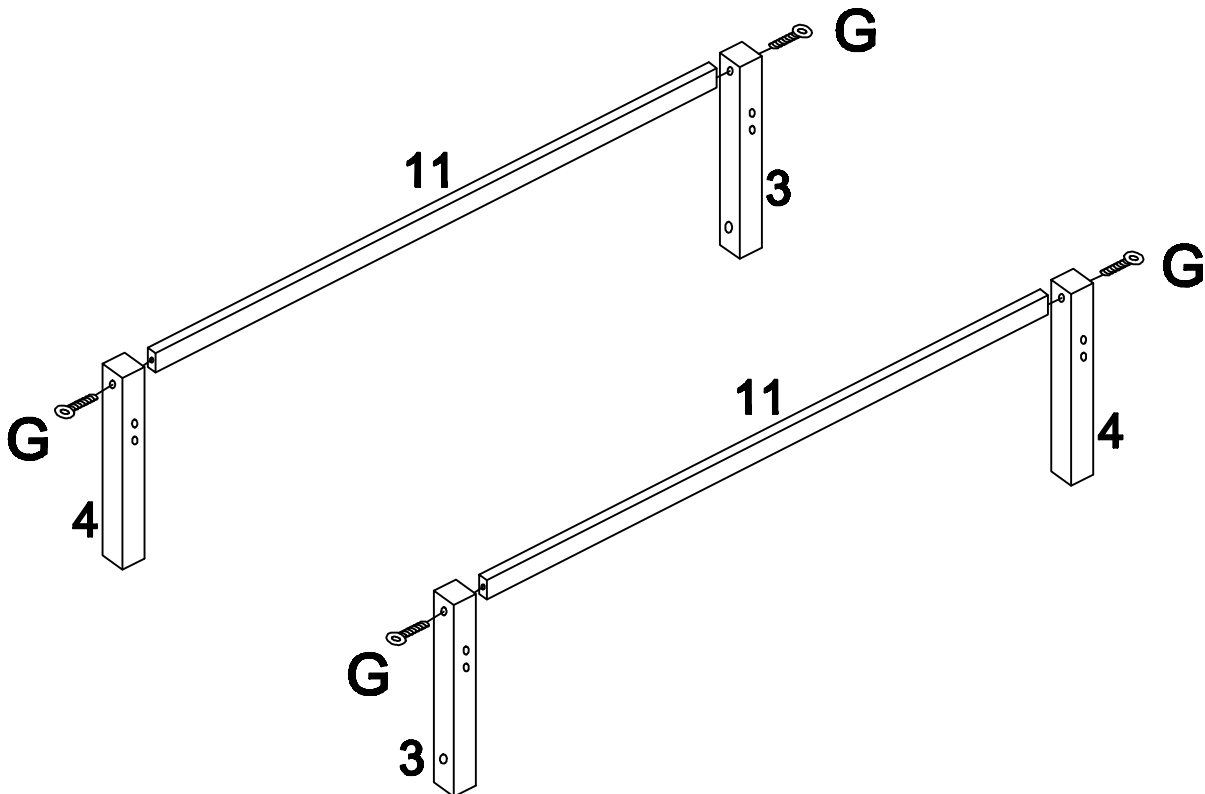


3



G:M6*55mm 12pcs

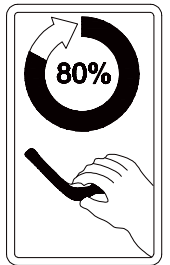
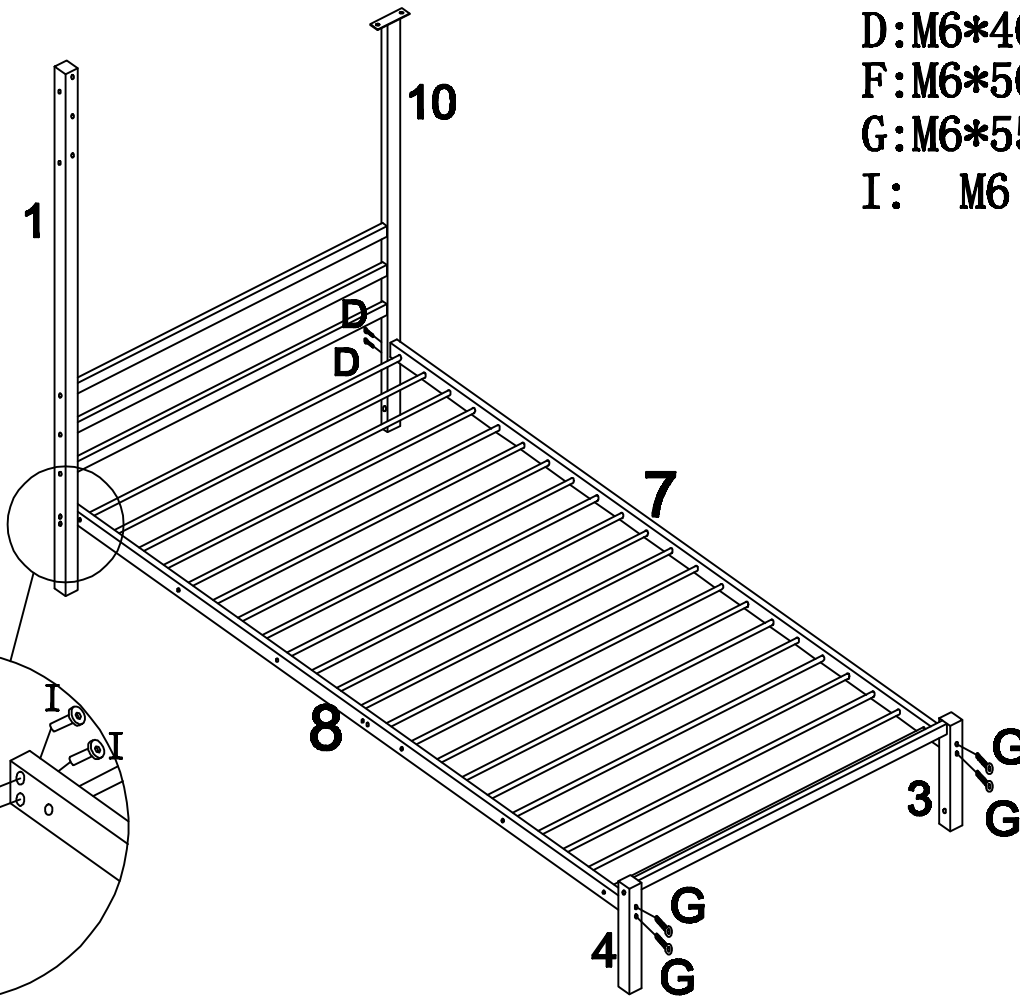
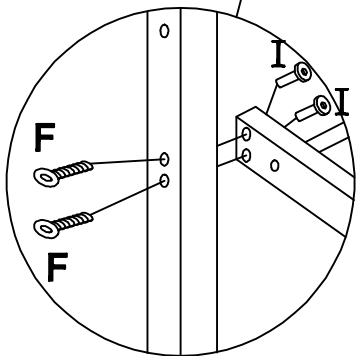
4



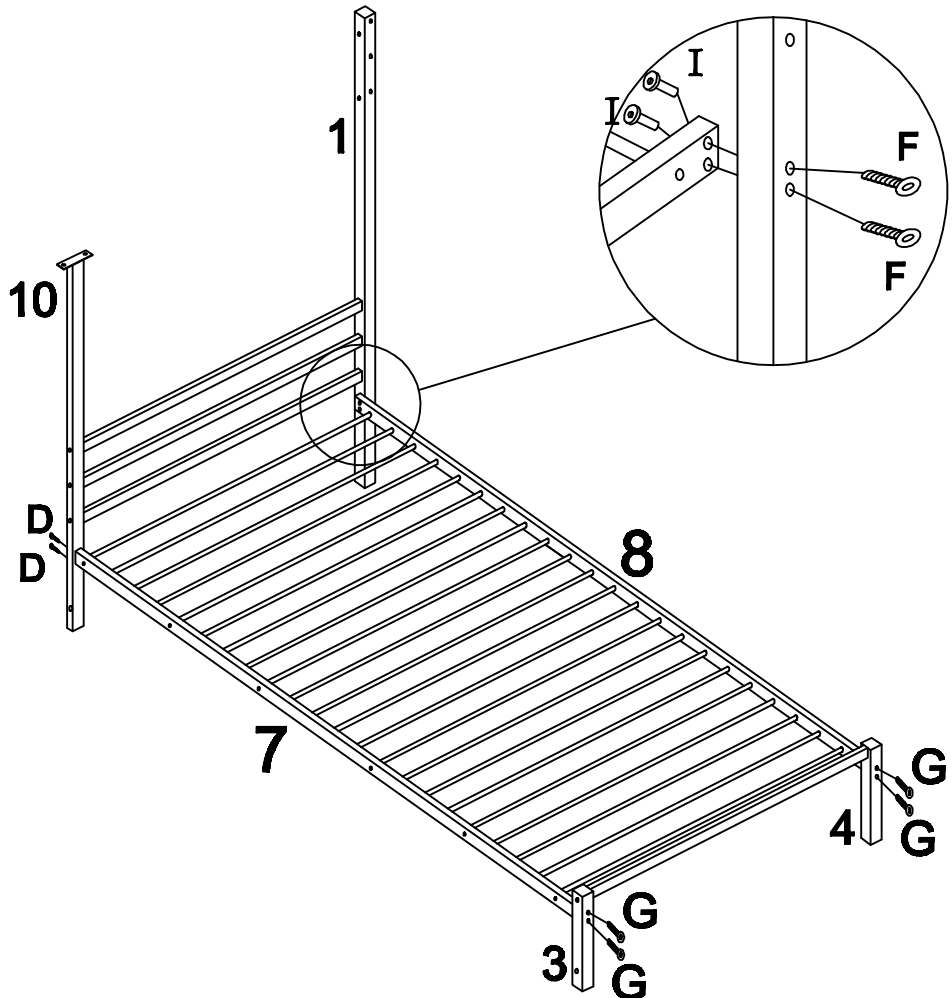
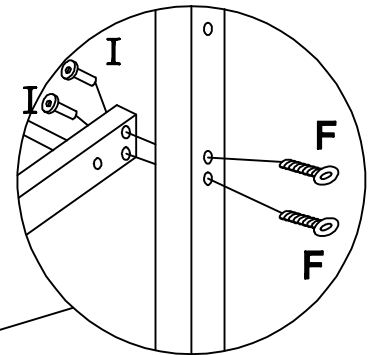
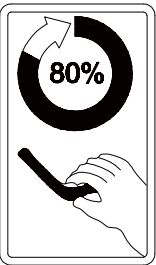
G:M6*55mm 4pcs

5

D: M6*40mm 2pcs
F: M6*50mm 2pcs
G: M6*55mm 4pcs
I: M6 2pcs

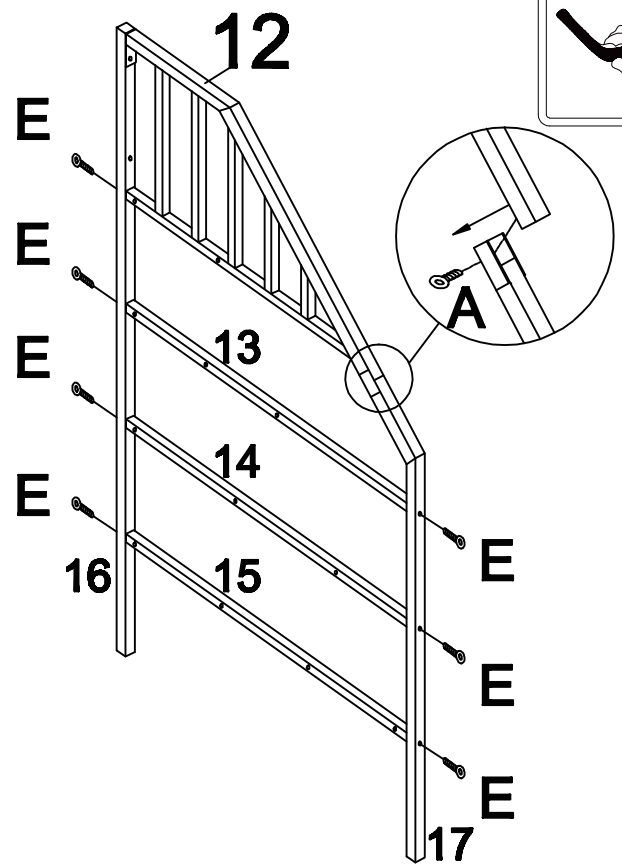
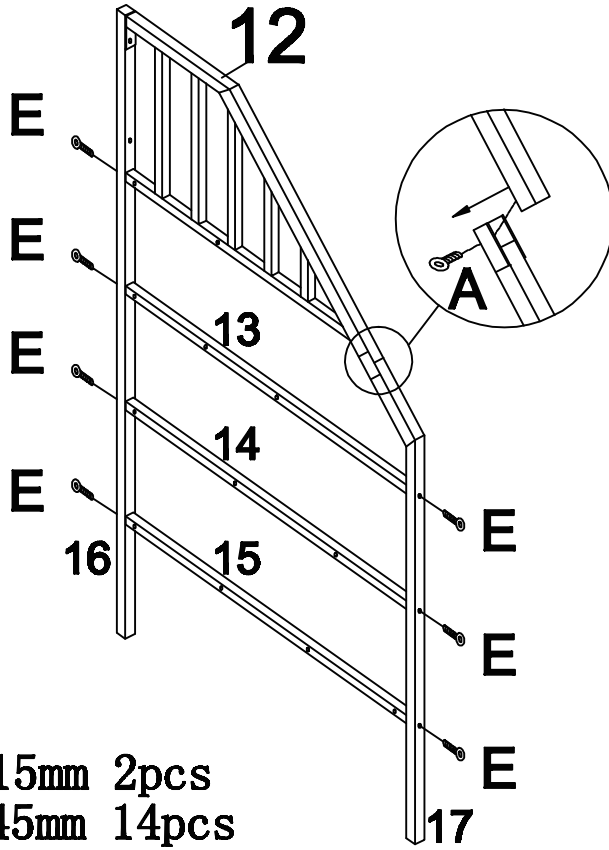
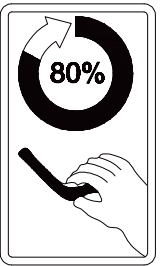


6



D: M6*40mm 2pcs
F: M6*50mm 2pcs
G: M6*55mm 4pcs
I: M6 2pcs

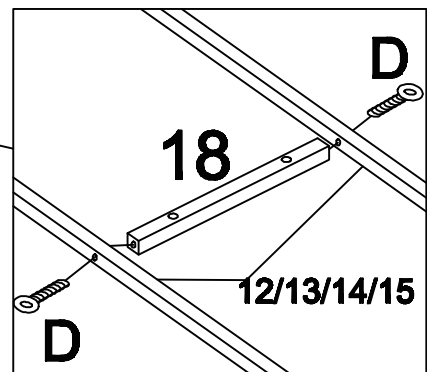
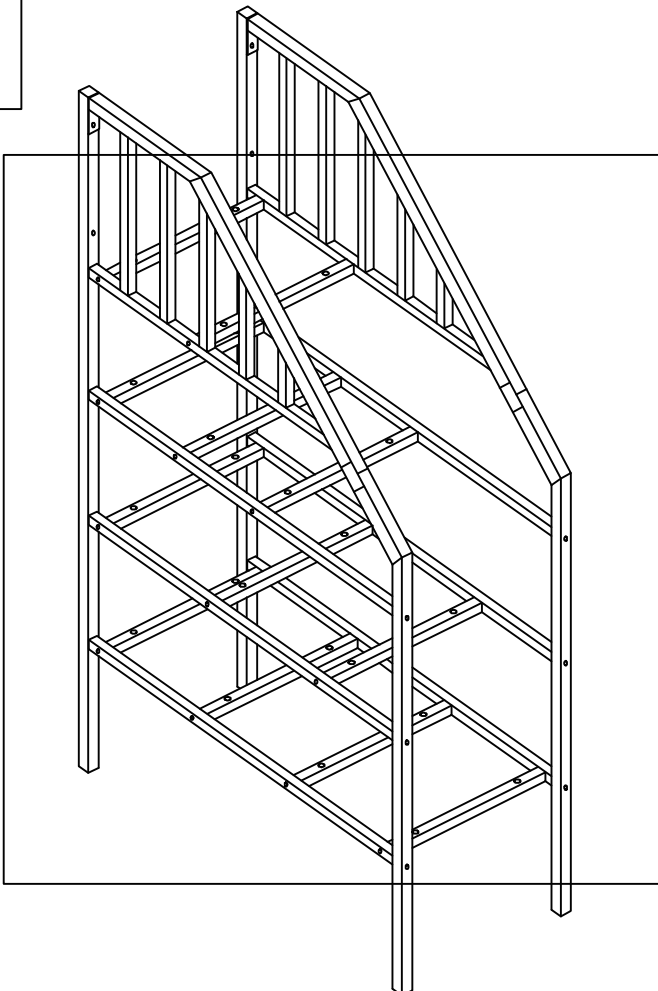
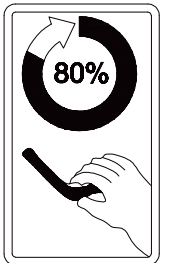
7



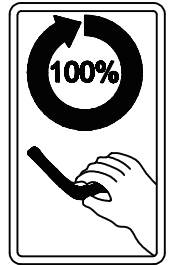
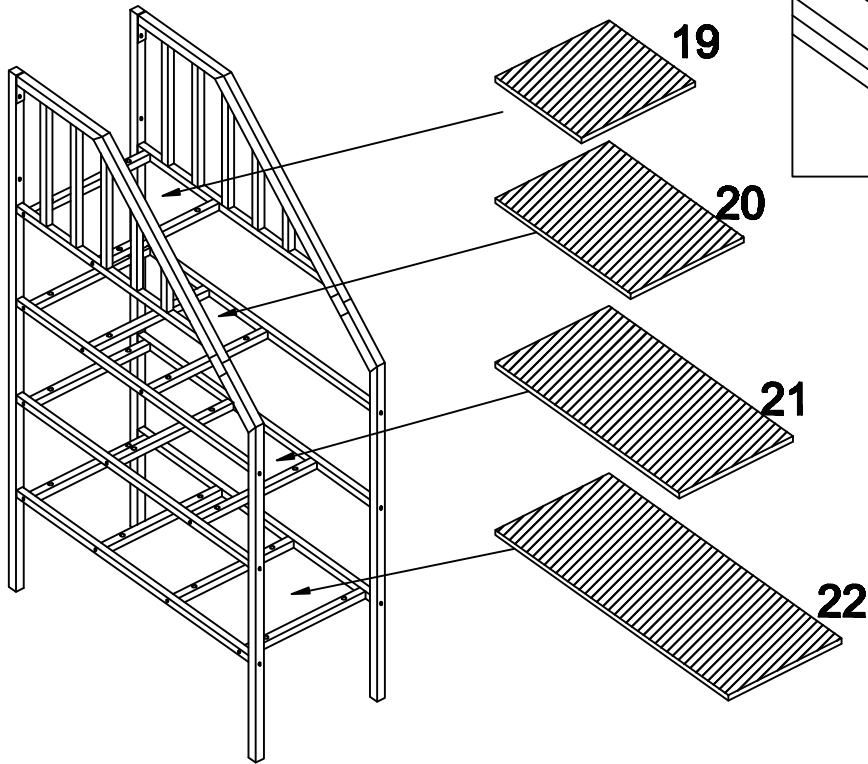
A: M6*15mm 2pcs
 E: M6*45mm 14pcs

8

D: M6*40mm 24pcs

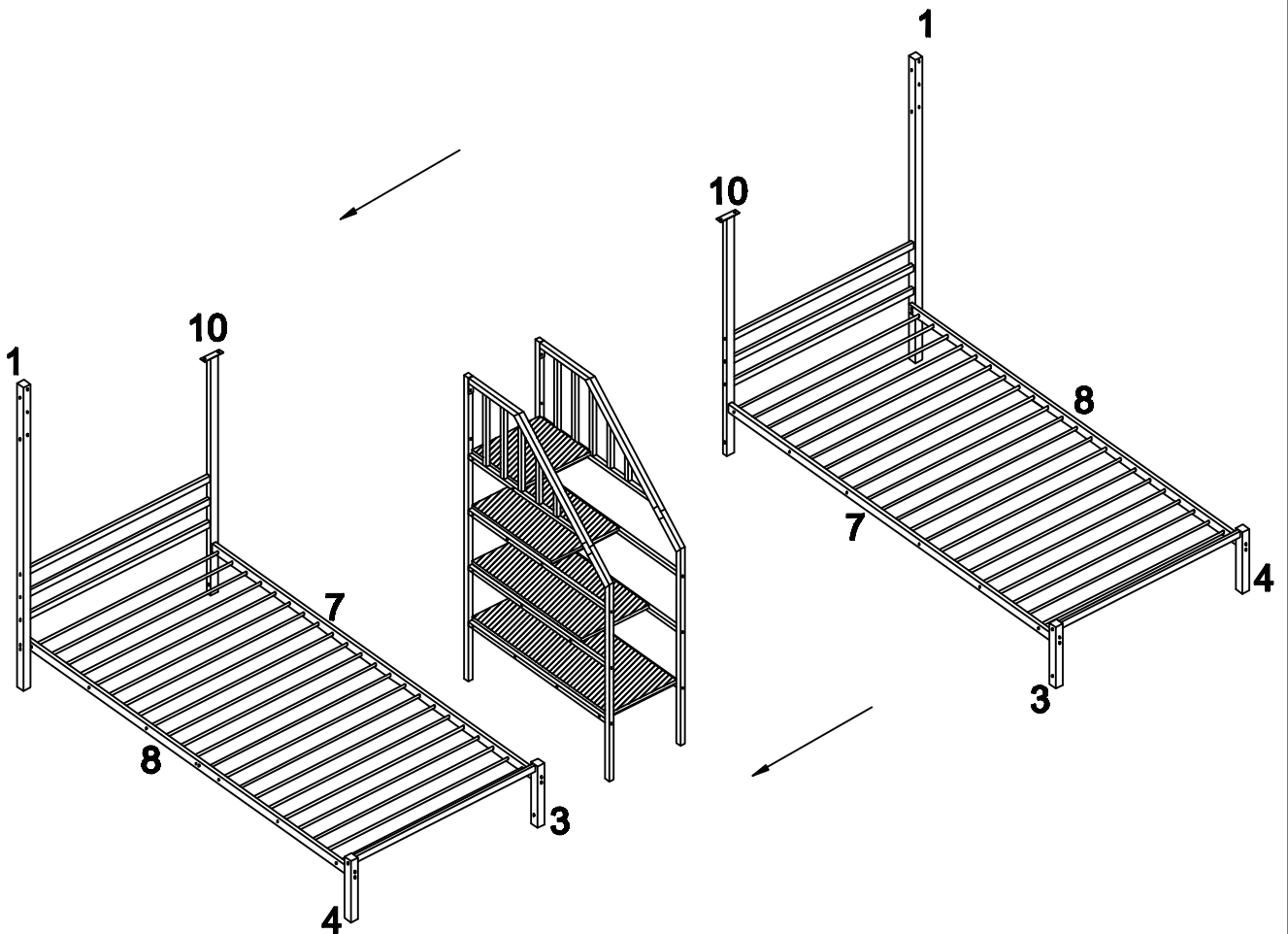


9

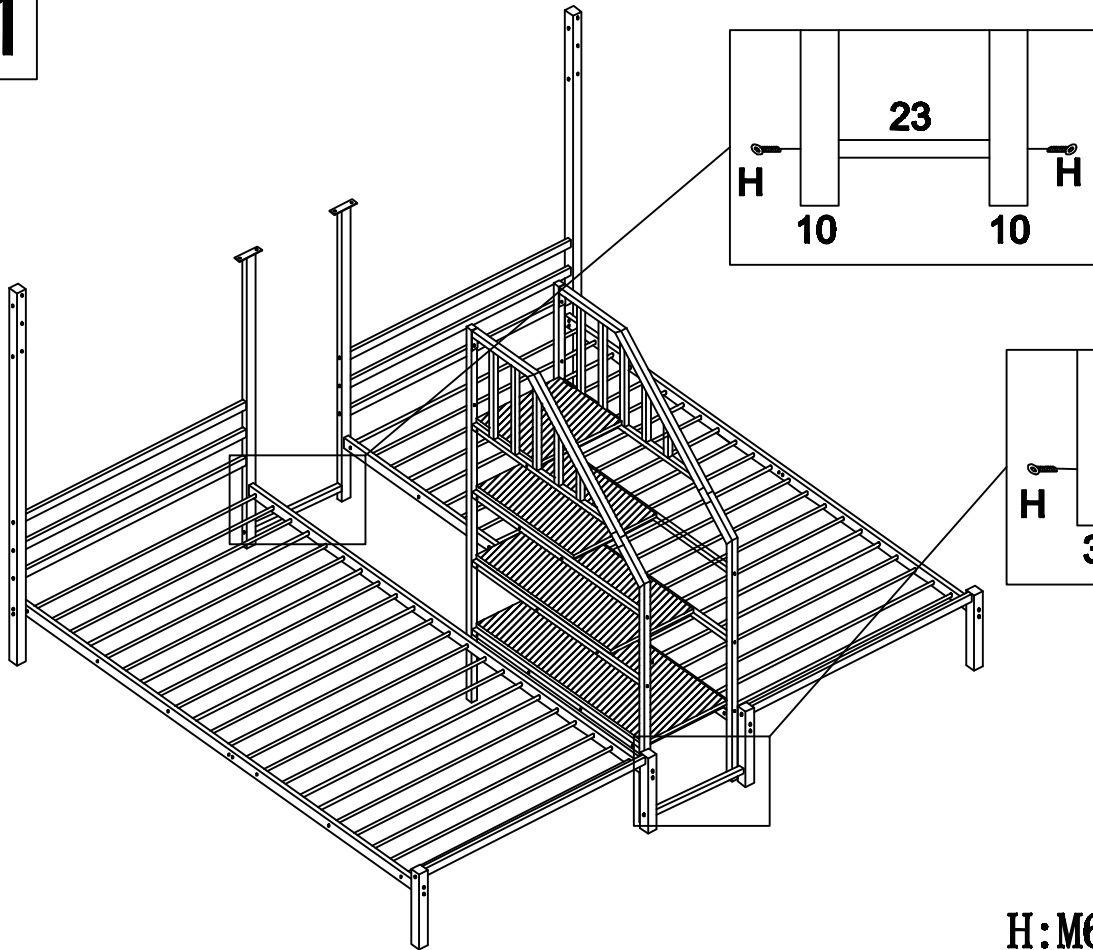


C:M6*30mm 24pcs

10

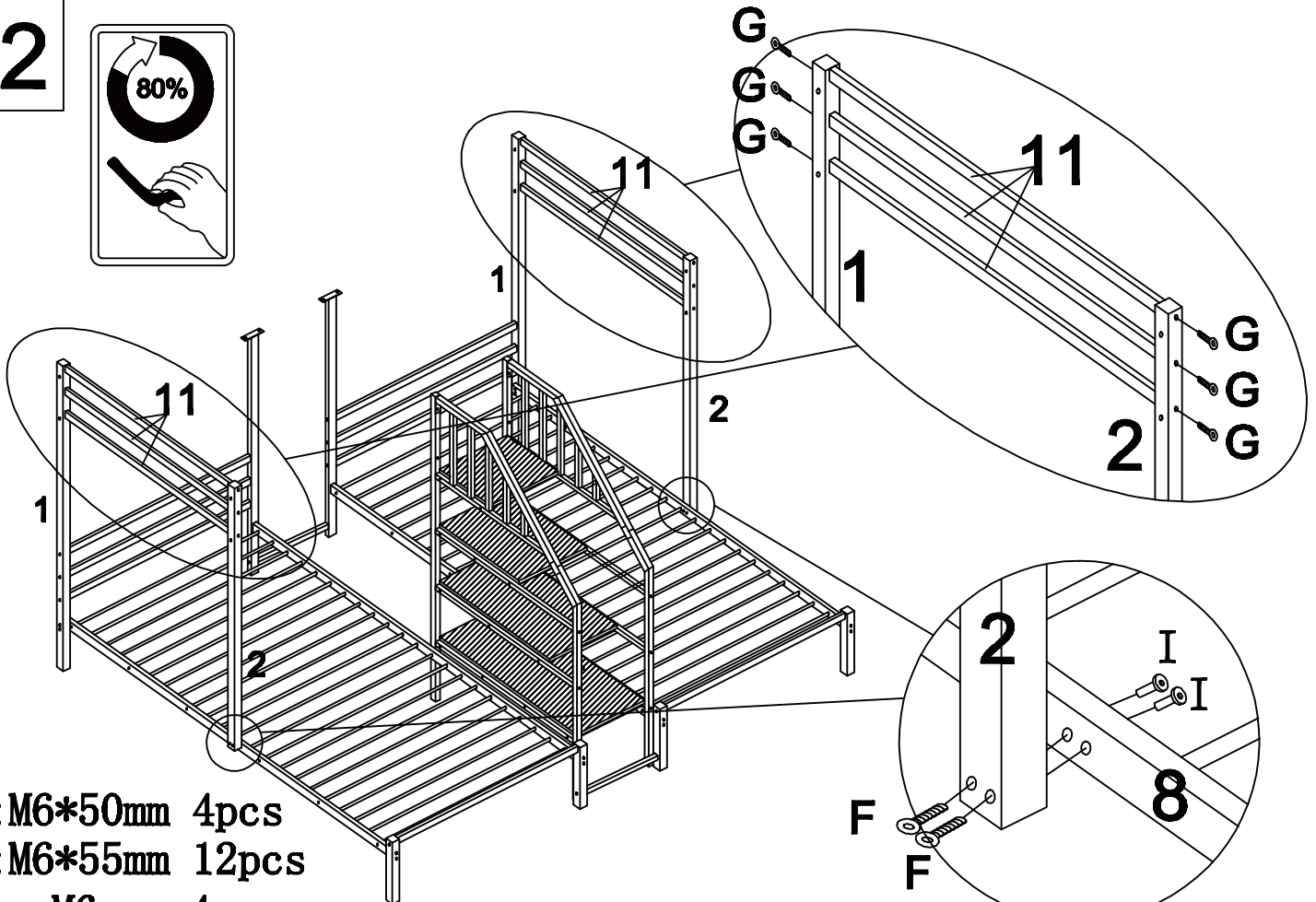
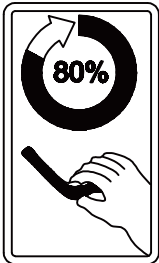


11



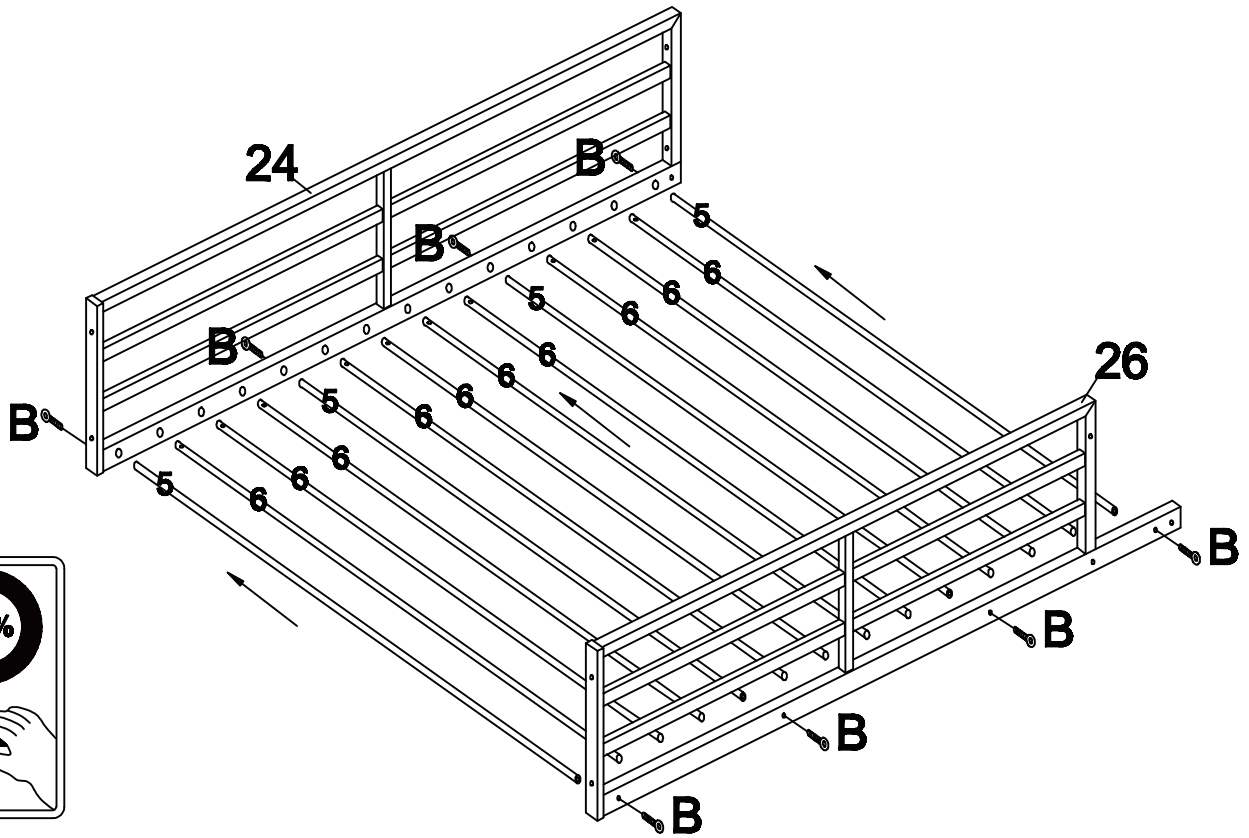
H: M6*60mm 4pcs

12



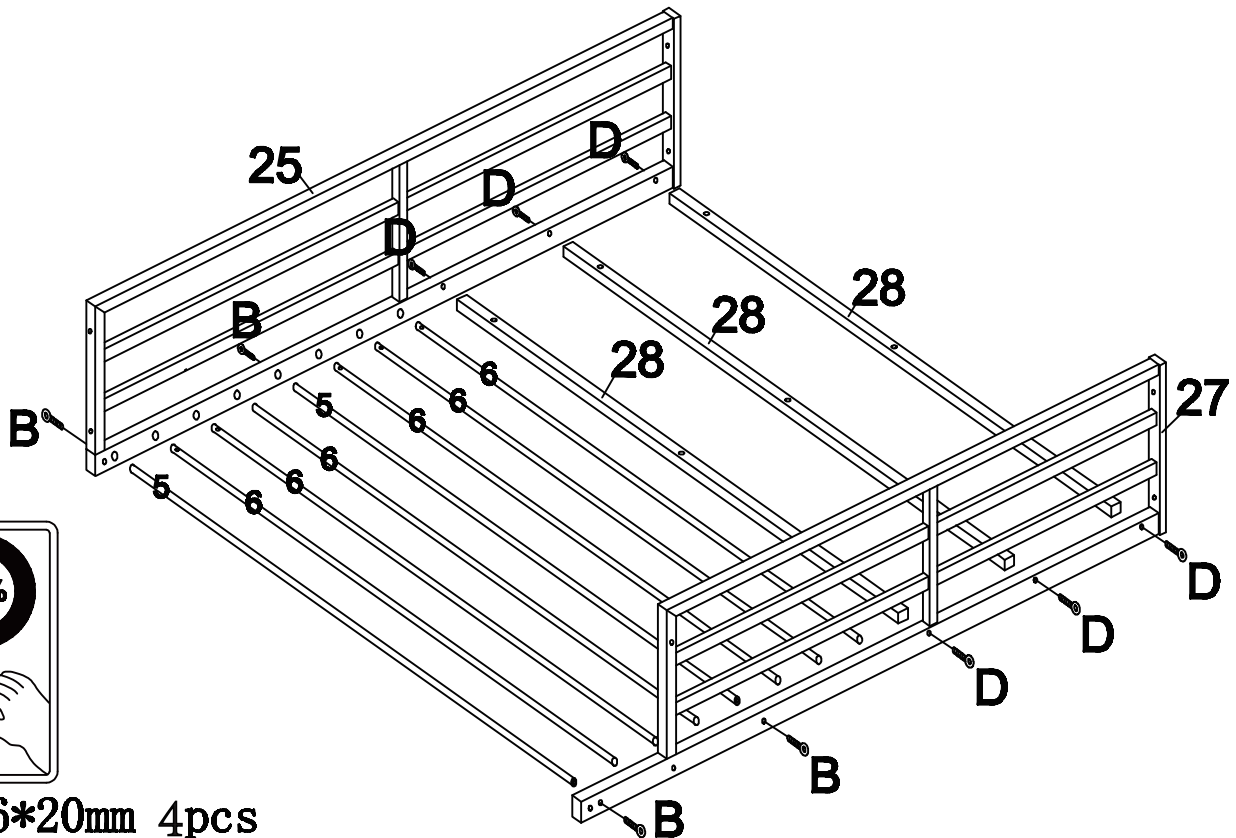
F: M6*50mm 4pcs
 G: M6*55mm 12pcs
 I: M6 4pcs

13



B: M6*20mm 8pcs

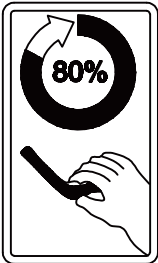
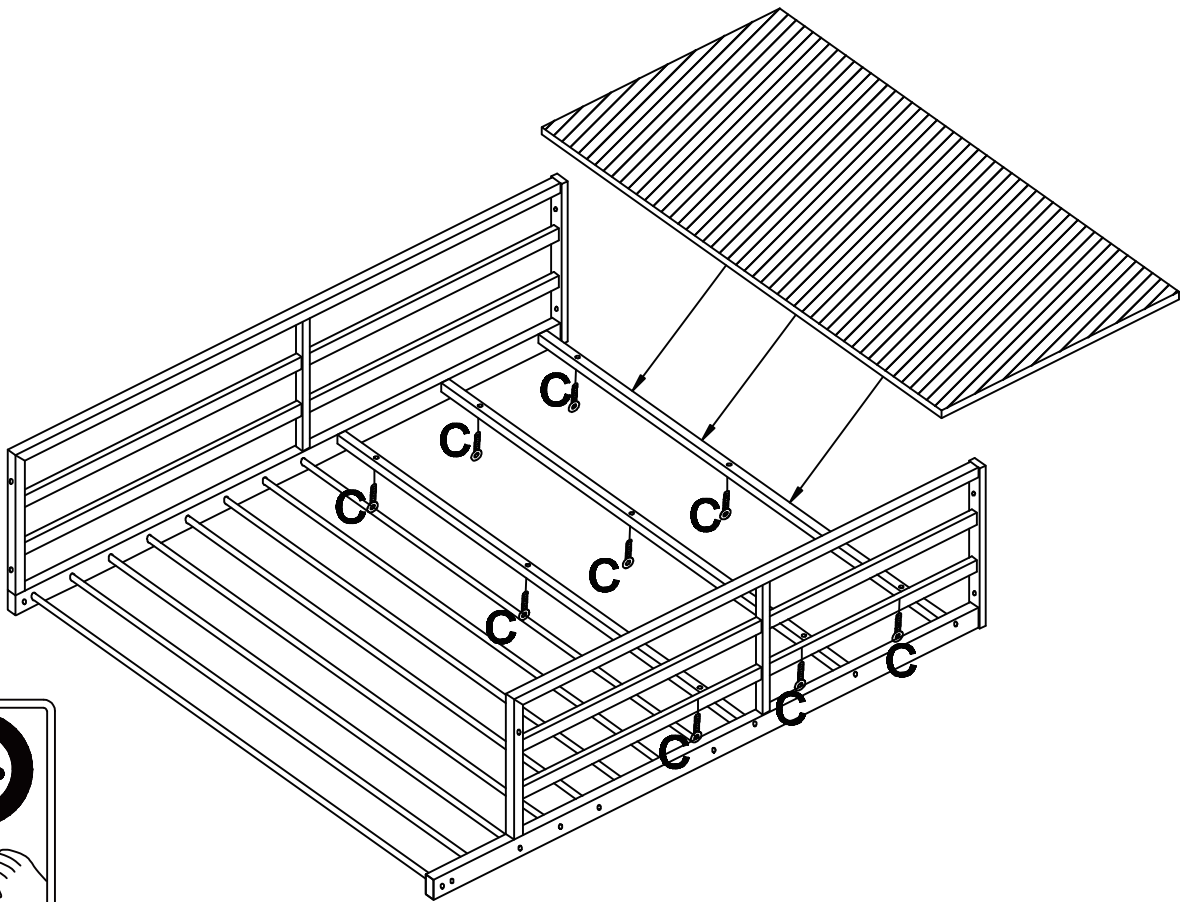
14



B: M6*20mm 4pcs

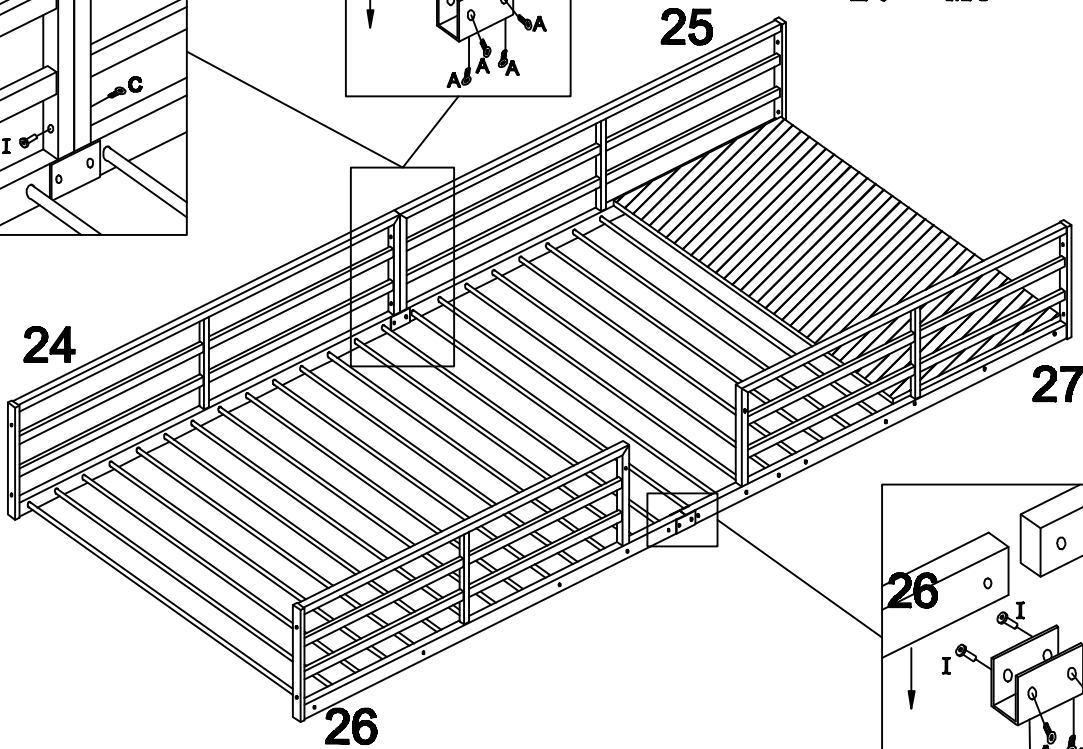
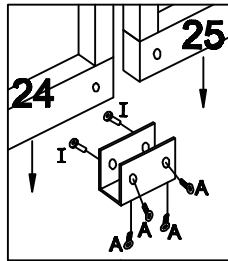
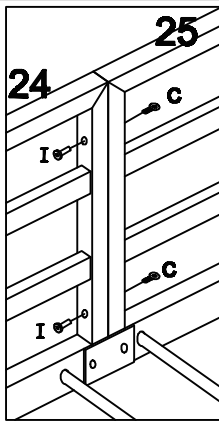
D: M6*40mm 6pcs

15



C: M6*30mm 9pcs

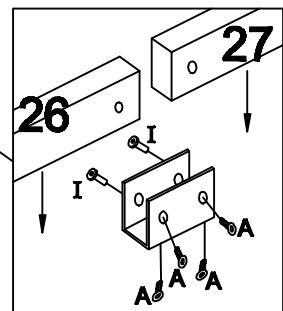
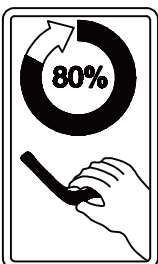
16

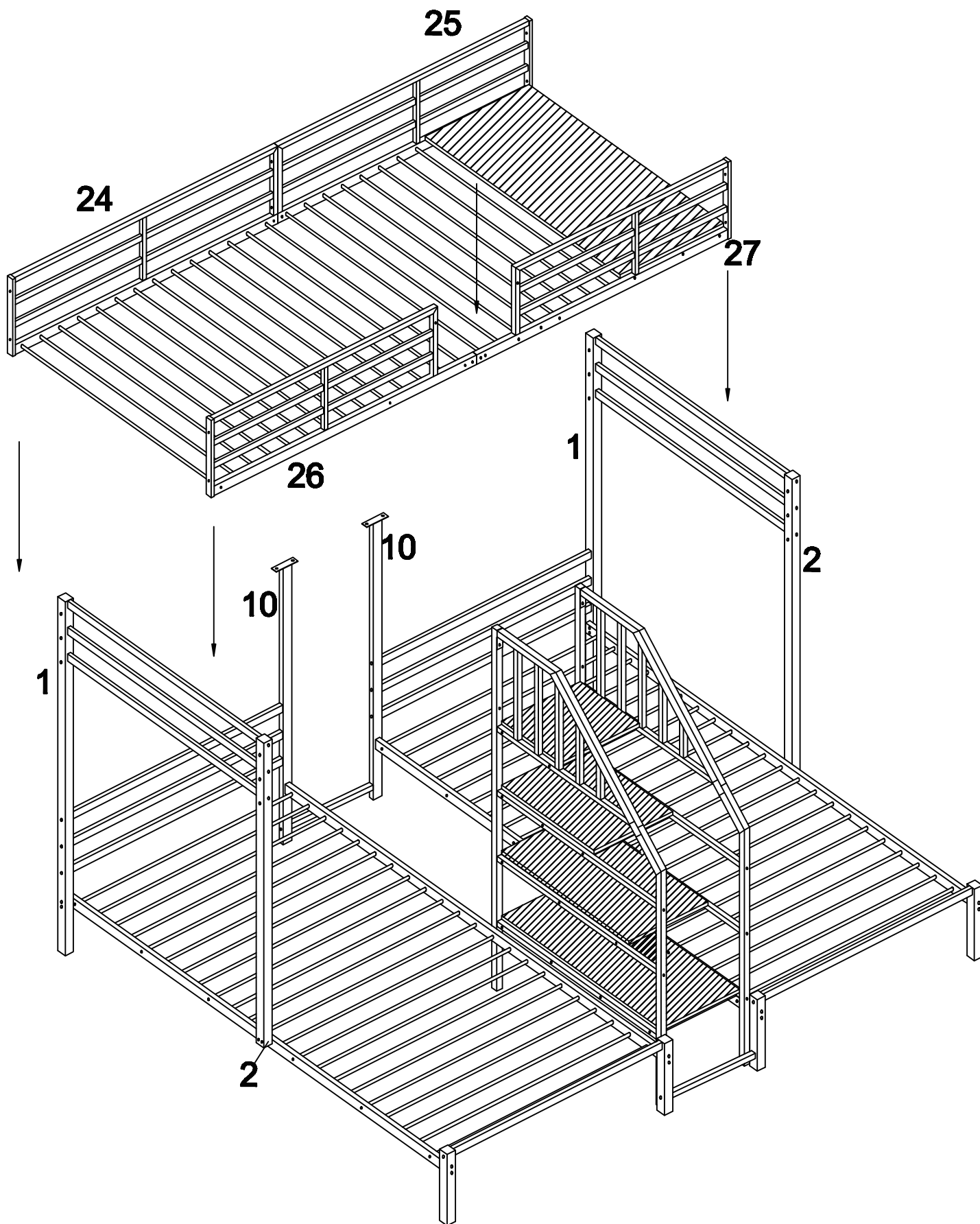


A: M6*15mm 8pcs

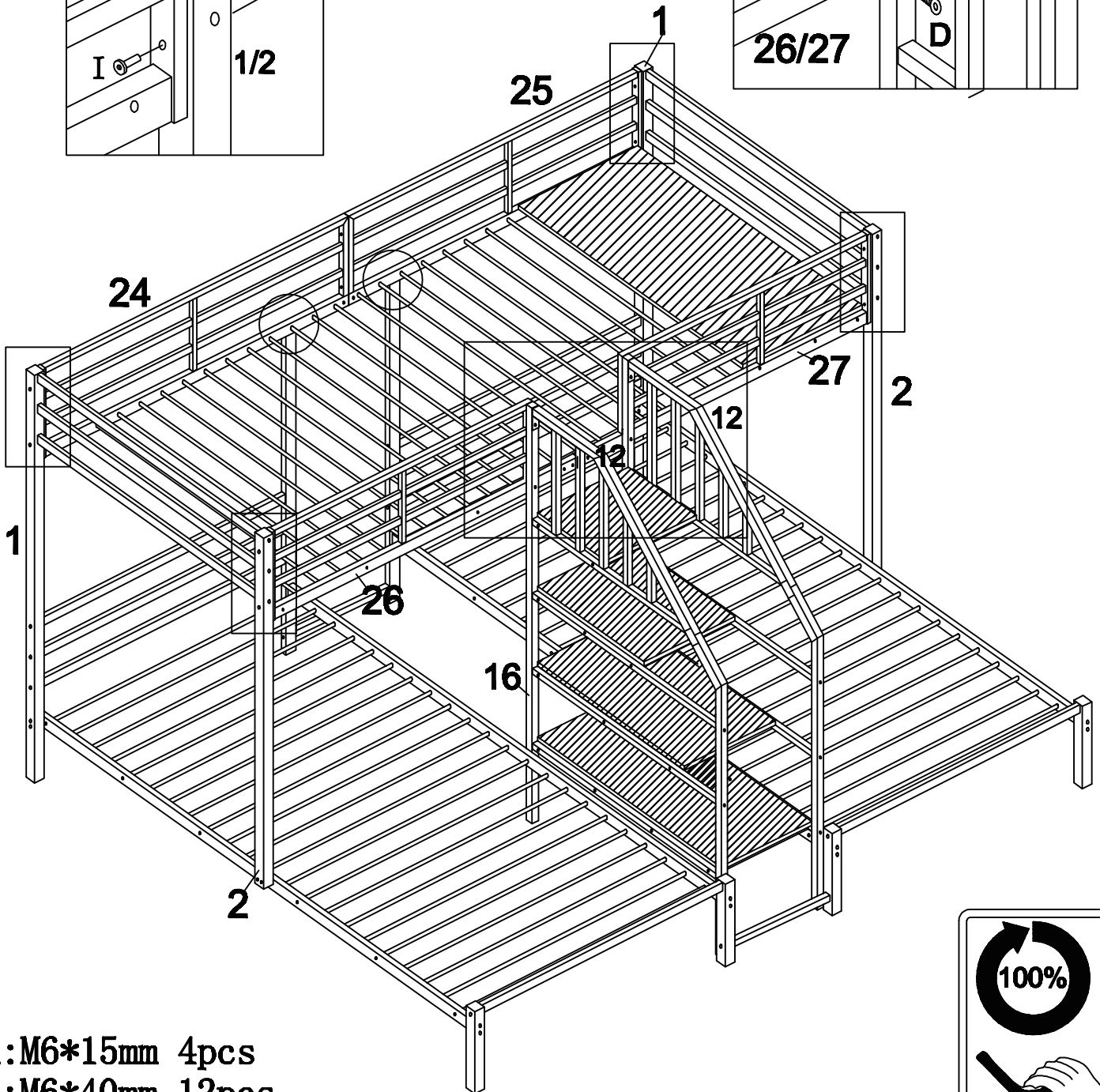
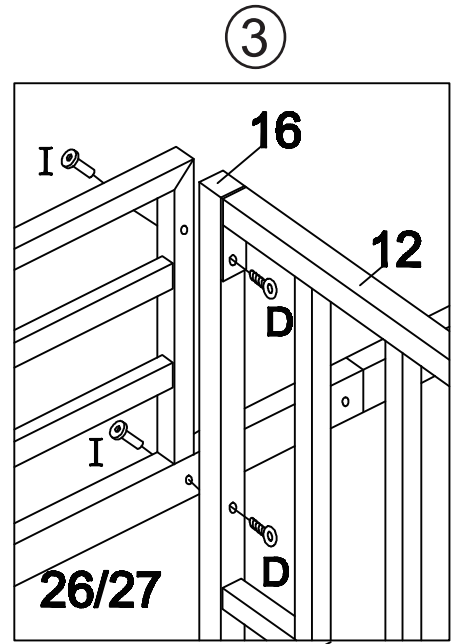
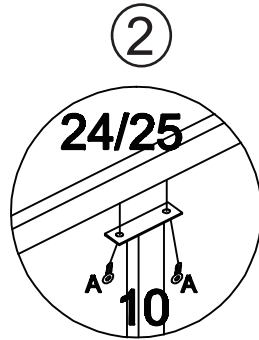
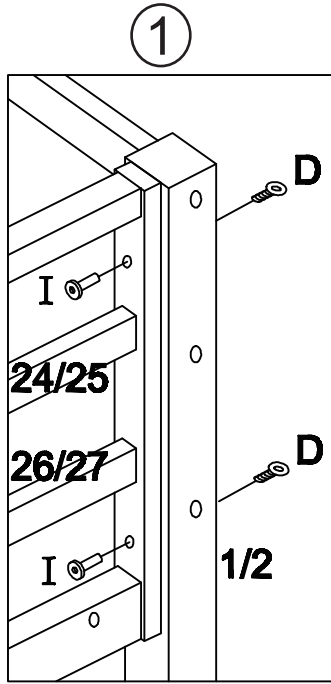
C: M6*30mm 2pcs

I: M6 6pcs





18



A: M6*15mm 4pcs
D: M6*40mm 12pcs
I: M6 12pcs

