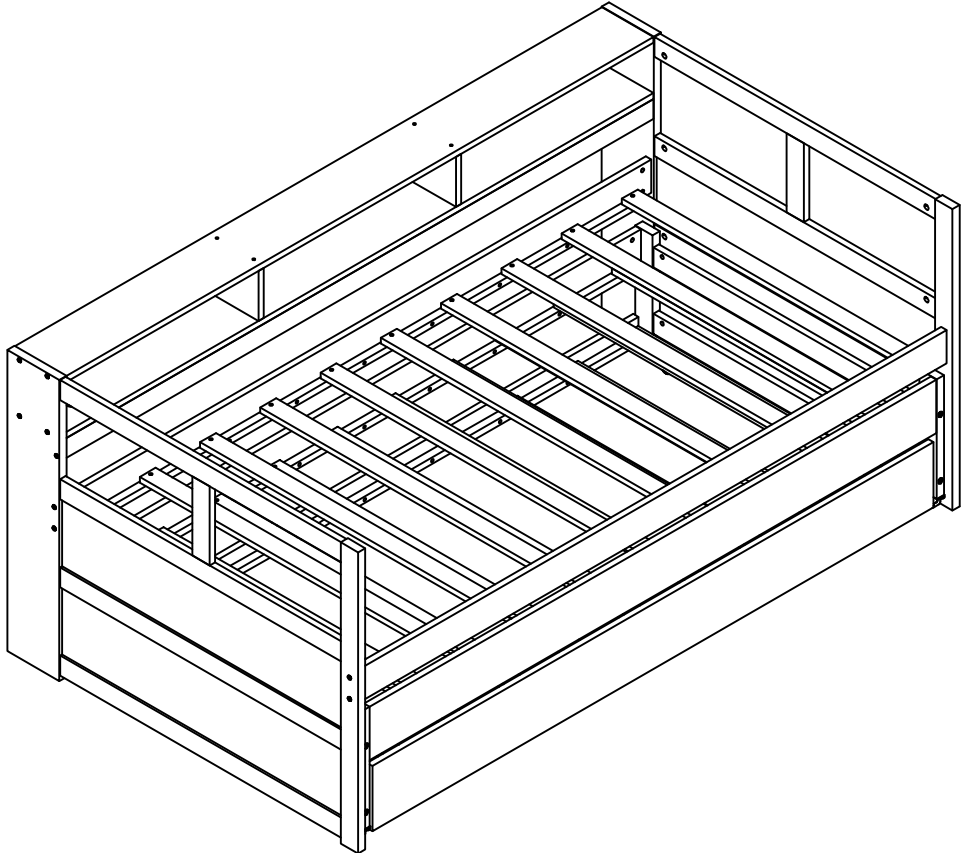


ASSEMBLY INSTRUCTION

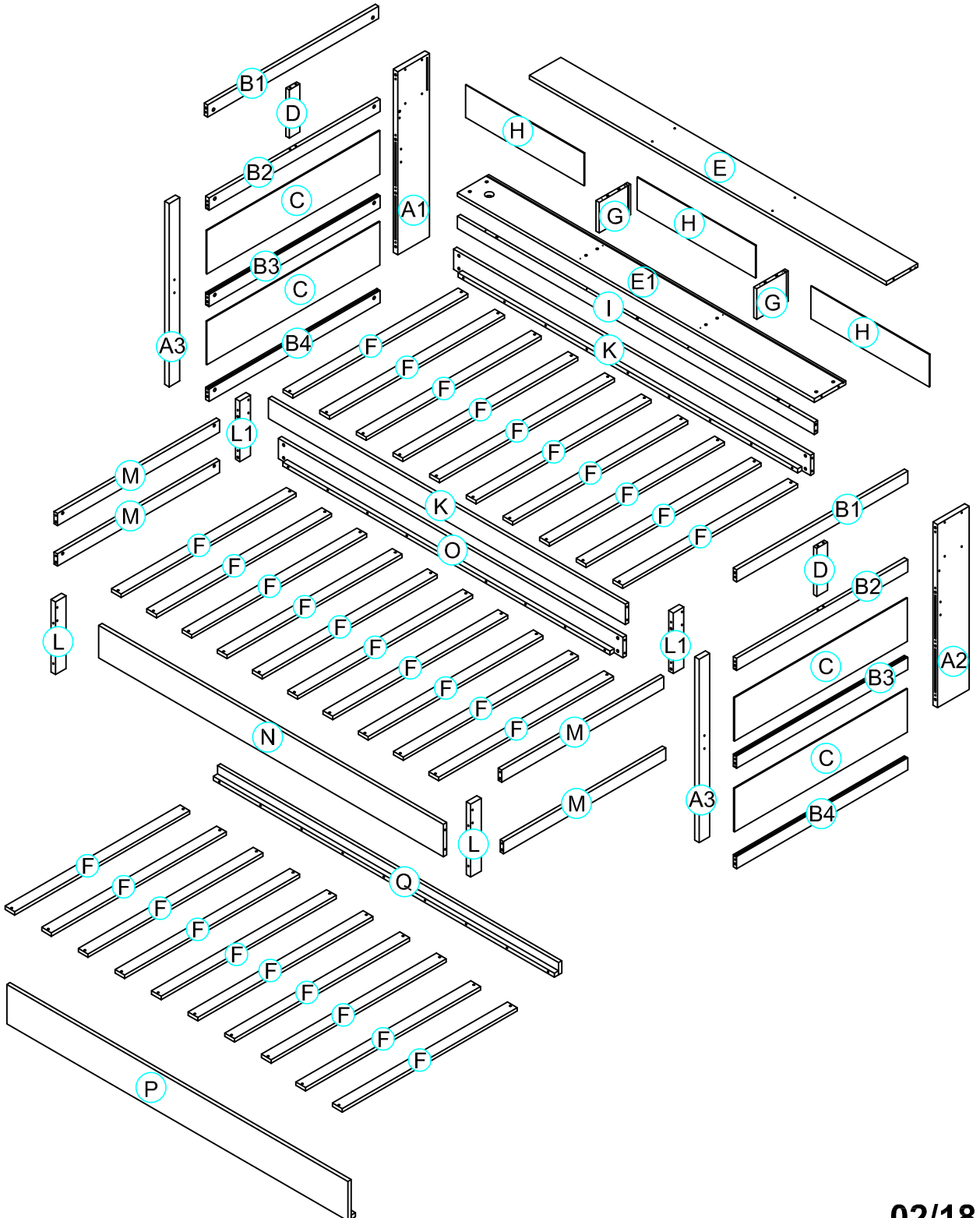
SKU CODE: (WF300524-WF300525)



! SAFETY WARNINGS !

1. This bed is designed for use TWIN XL Mattress 80 inch Long 39 inch Wide and 75 inch Long 39 inch Wide.
2. Always use the recommended size mattresses or mattress supports, or both, to help prevent the likelihood of entrapment or falls.
3. Do not allow horseplay on or under the bed and prohibit jumping on the bed
4. Do not use substitute parts. Contact the manufacturer or dealer for replacement parts.
5. Keep these instructions for future reference

ASSEMBLY INSTRUCTION



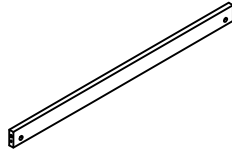
Part List (WF300524)

A3



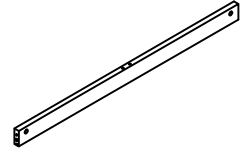
Headboard - 2pcs

B1



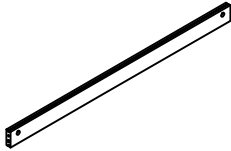
Cross Bar - 2pcs

B2



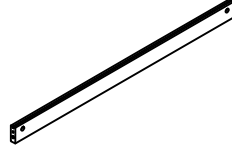
Cross Bar - 2pcs

B3



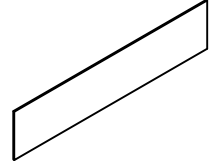
Cross Bar - 2pcs

B4



Cross Bar - 2pcs

C



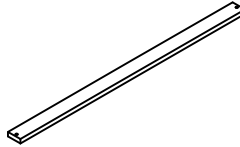
Head Panels - 4pcs

D



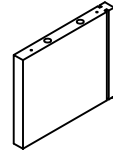
Vertical Bar - 2pcs

F



Slats - 30pcs

G



Vertical Panels - 2pcs

L



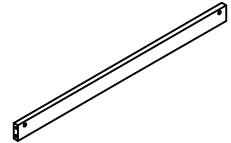
Trundle - Font Foot - 2pcs

L1





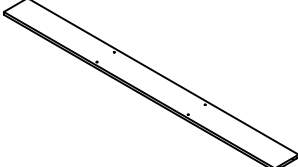
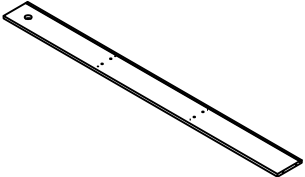
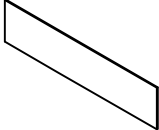
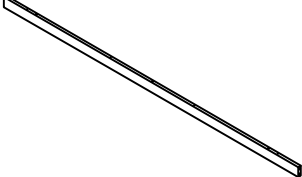
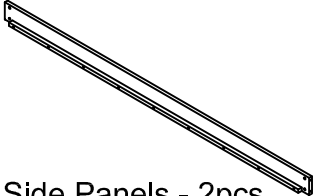
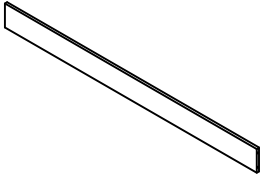
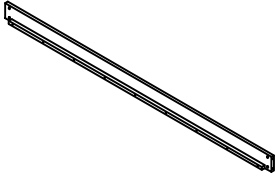
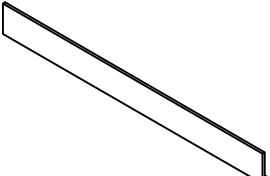

Trundle - Back Foot - 2pcs

M

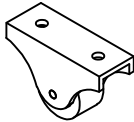
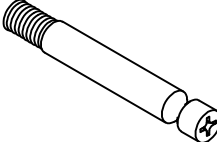
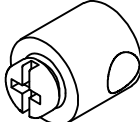
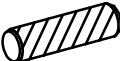




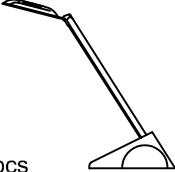







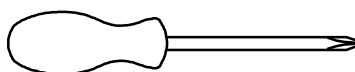
Cross Bar - 4pcs

Part List (WF300525)

<p>A1</p>  <p>Headboard - 1pcs</p>	<p>A2</p>  <p>Headboard - 1pcs</p>	<p>E</p>  <p>Horizontal panels - 1pcs</p>
<p>E1</p>  <p>Horizontal Panels - 1pcs</p>	<p>H</p>  <p>Back Panels - 3pcs</p>	<p>I</p>  <p>Cross Bar - 1pcs</p>
<p>K</p>  <p>Side Panels - 2pcs</p>	<p>N</p>  <p>Trundle - Side Panels - 1pcs</p>	<p>O</p>  <p>Trundle - Side Panels - 1pcs</p>
<p>P</p>  <p>Trundle panels - 1pcs</p>	<p>Q</p>  <p>Trundle panels - 1pcs</p>	

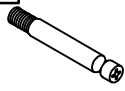
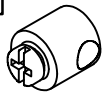
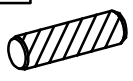
Hardware List (WF300524)

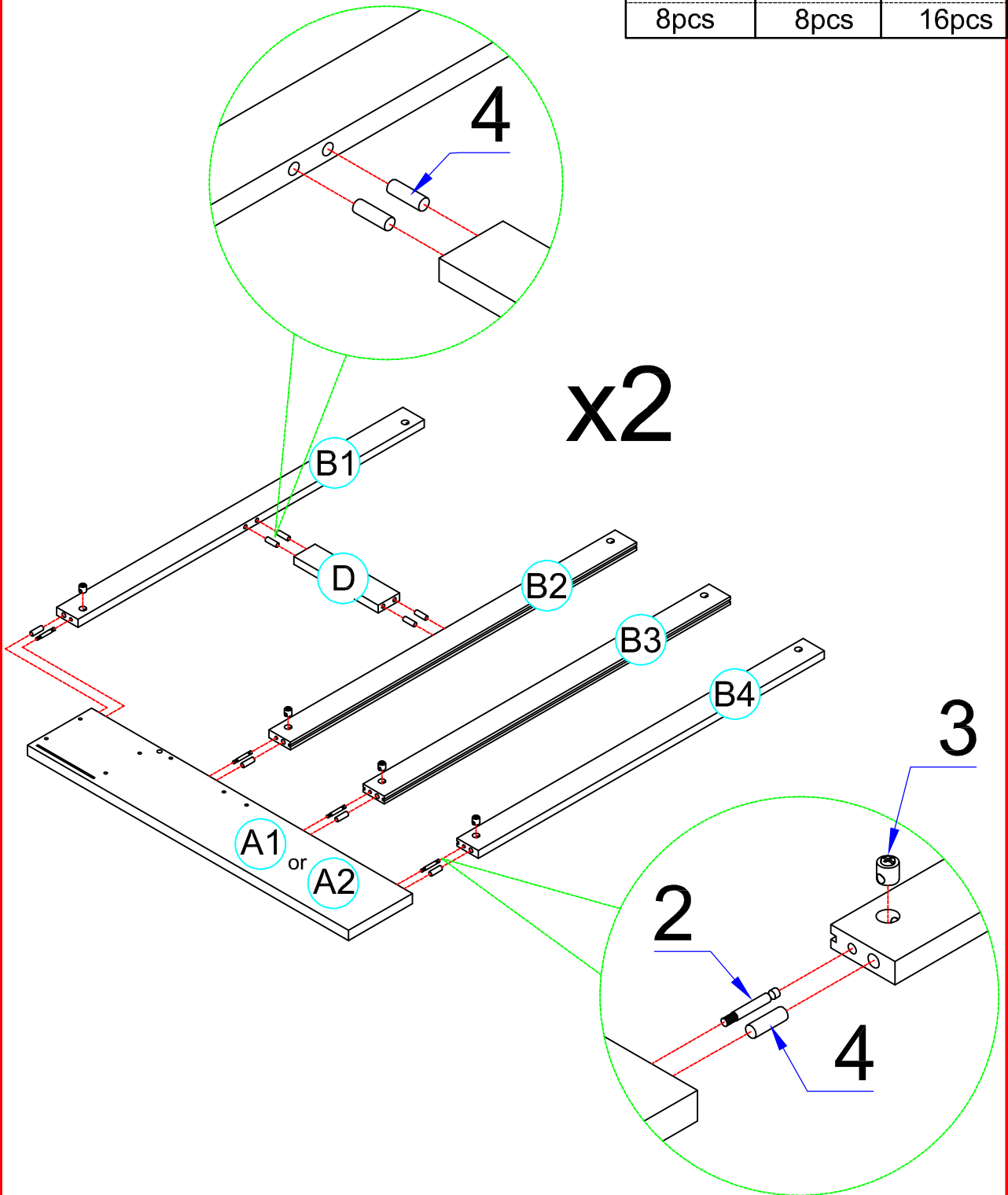
<p>1</p>  <p>Wheels 8pcs</p>	<p>2</p>  <p>Link - 1 : 16 Pcs</p>	<p>3</p>  <p>Link - 2 : 16 Pcs</p>
<p>4</p>  <p>Ø10 x 30 mm Wood dowel 45pcs</p>	<p>5</p>  <p>Ø1/4" x 100mm Hex-Head bolts 8pcs</p>	<p>6</p>  <p>Ø1/4" x 60mm Hex-Head bolts 26pcs</p>
<p>7</p>  <p>Allen Key 1pcs</p>	<p>8</p>  <p>USB Power Socket 1pcs</p>	<p>9</p>  <p>Lamp 1pcs</p>
<p>10</p>  <p>M4 x 15 mm Wood Screws 28pcs</p>	<p>11</p>  <p>M4 x 30 mm Wood Screws 68pcs</p>	<p>12</p>  <p>M4 x 50 mm Wood Screws 4pcs</p>
<p>13</p>  <p>Ø11.5 x 15 mm Horizontal-Hole bolts 34pcs</p>	<p>14</p>  <p>Steel Bracket 3pcs</p>	



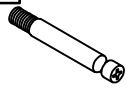
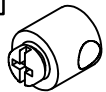
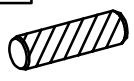
Assembly Tools Required (Not Included)

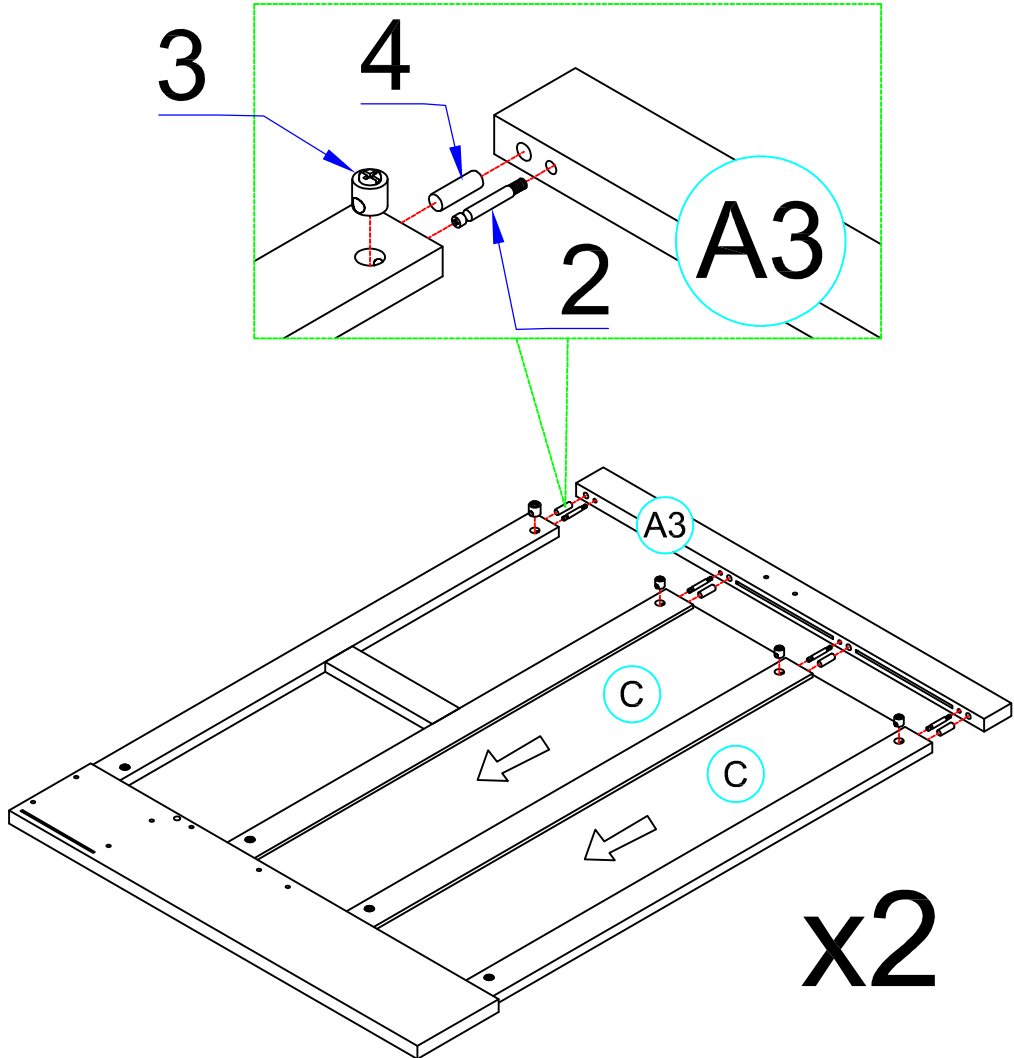
STEP 1: Following below illustration.

2	3	4
		
8pcs	8pcs	16pcs

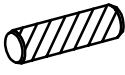
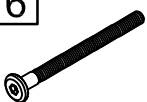



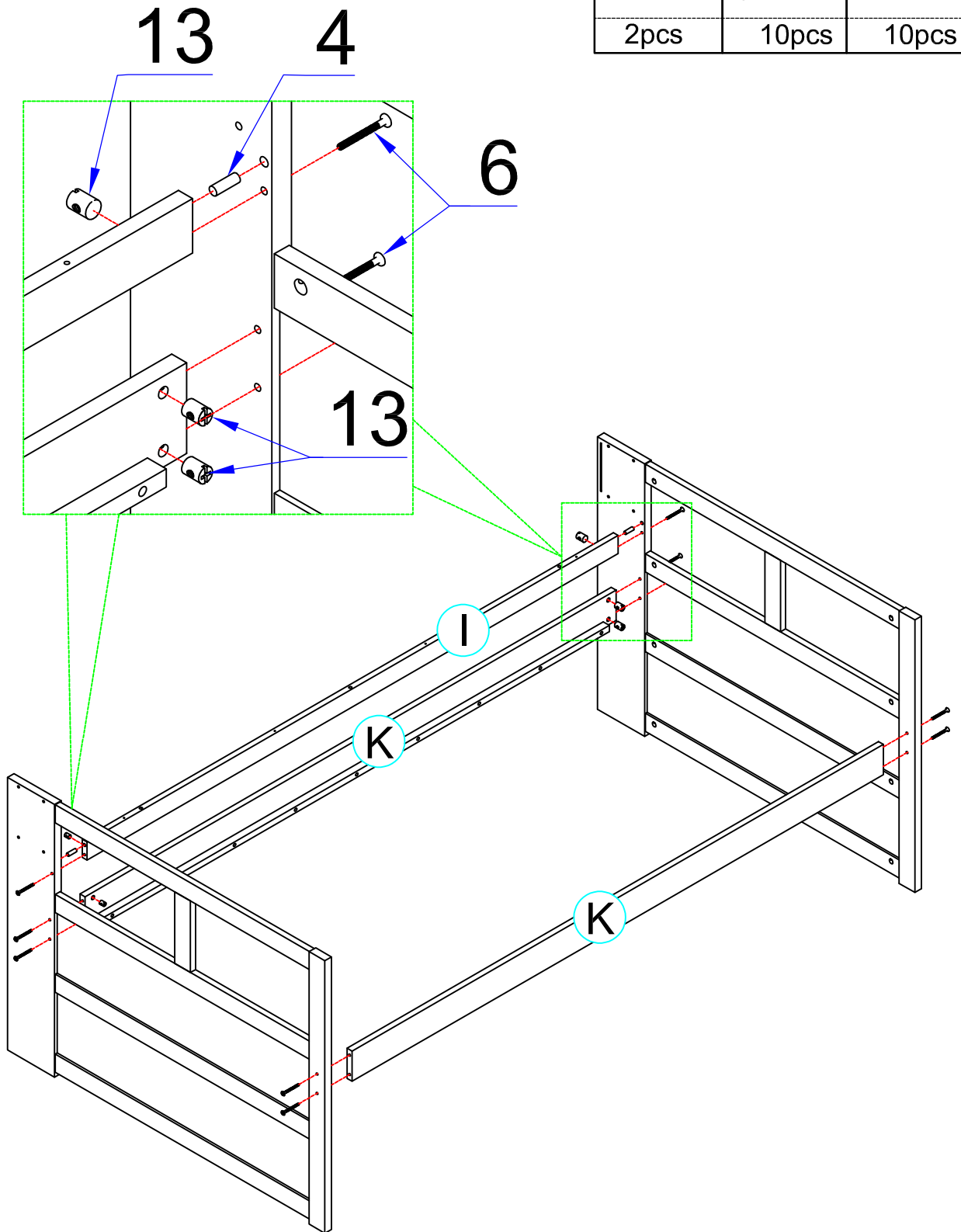
STEP 2: Following below illustration.

2	3	4
		
8pcs	8pcs	8pcs

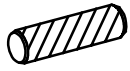



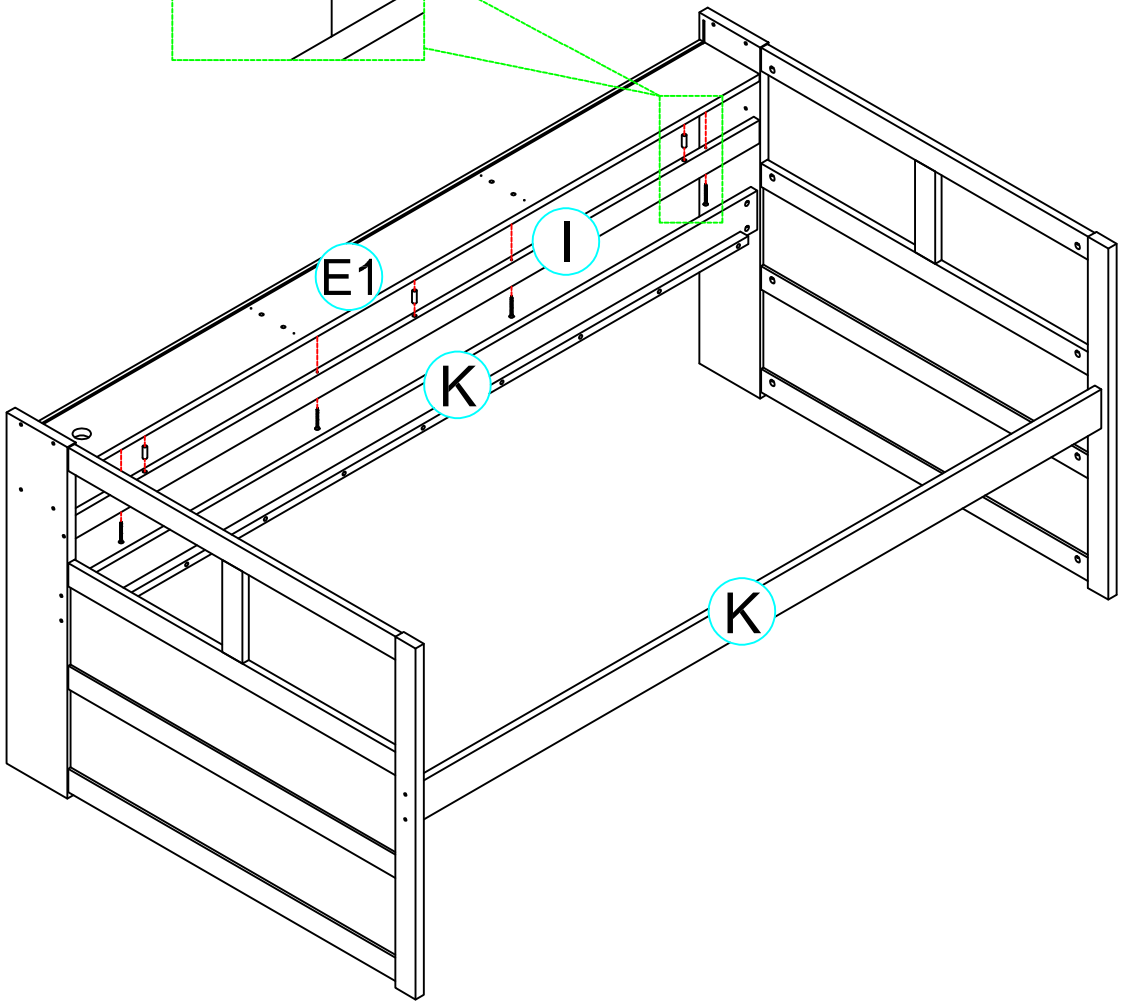
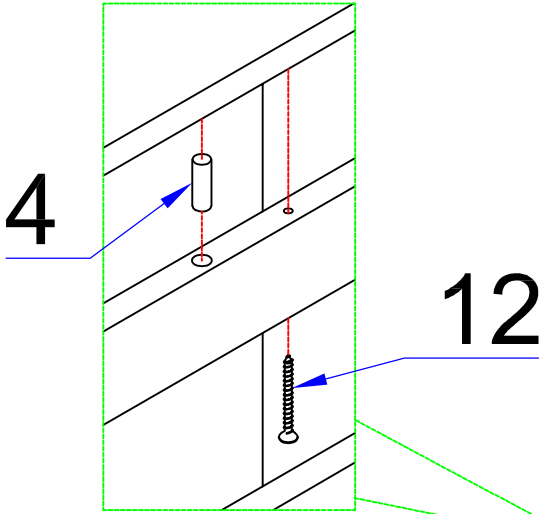
STEP 3: Following below illustration.

4	6	13
		
2pcs	10pcs	10pcs


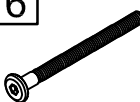



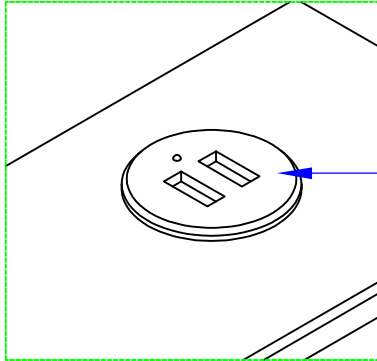
STEP 4: Following below illustration.

4	12
	
3pcs	4pcs



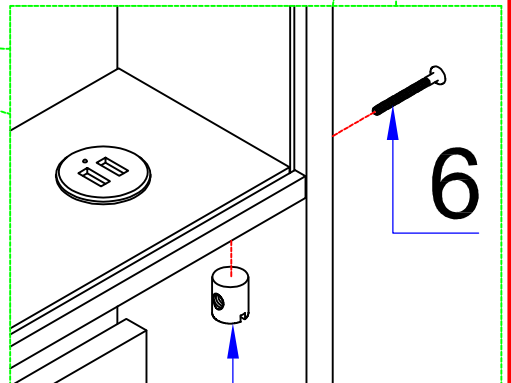
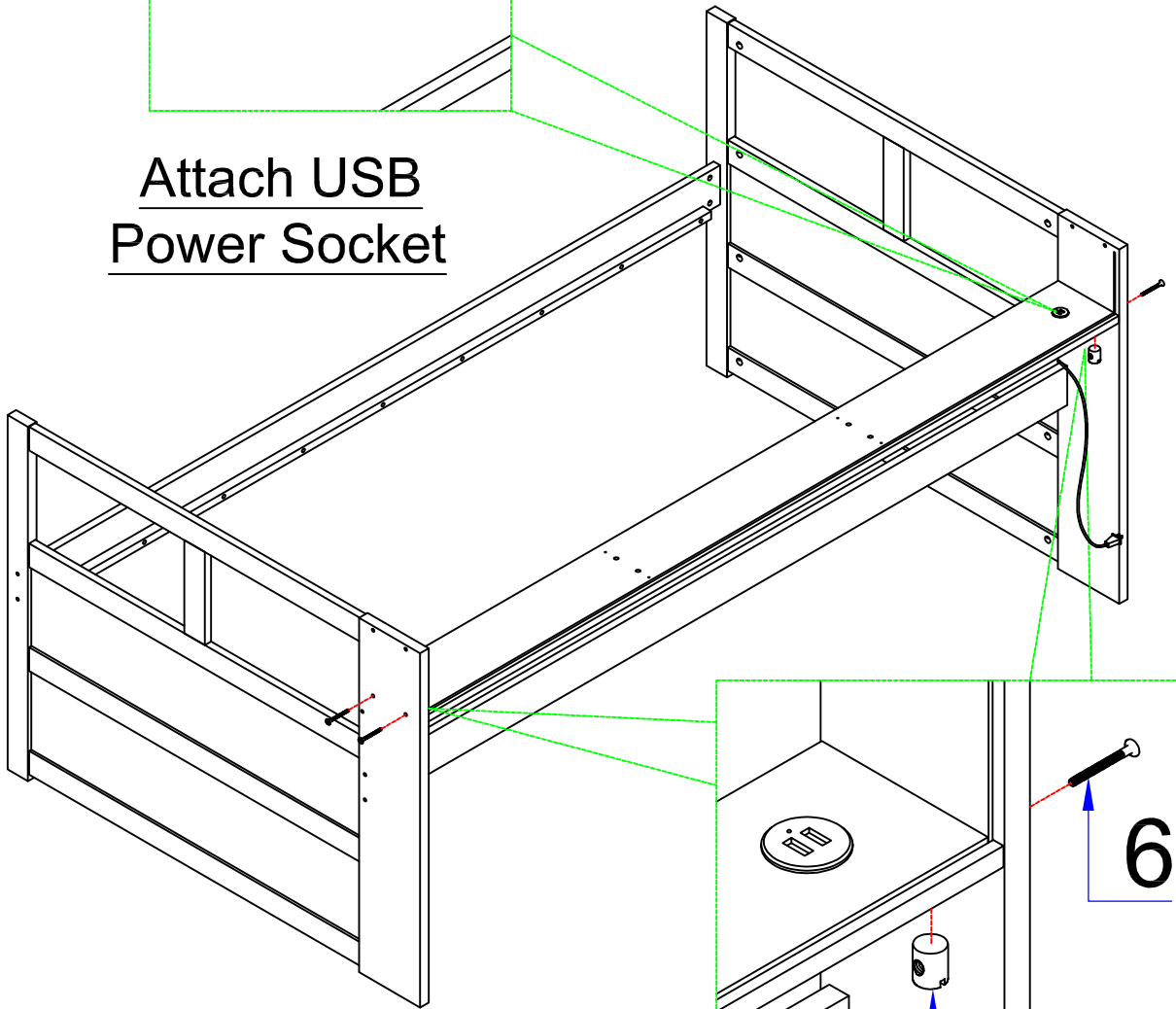
STEP 5: Following below illustration.

8 	6 	13 
1pcs	4pcs	4pcs



8

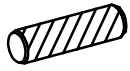

Attach USB
Power Socket

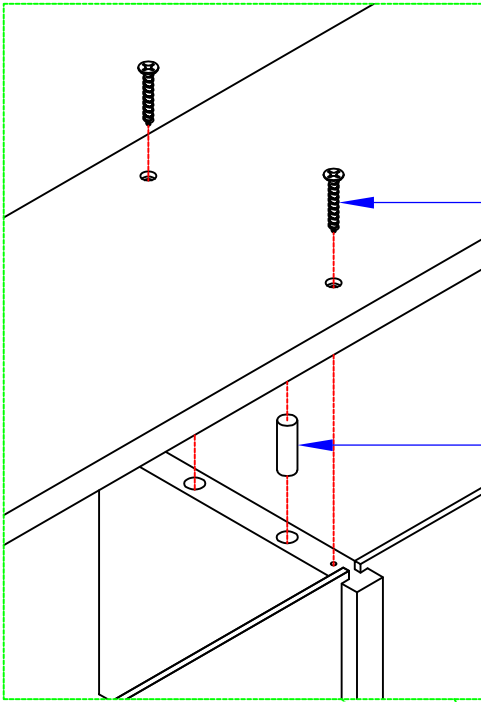


6

13

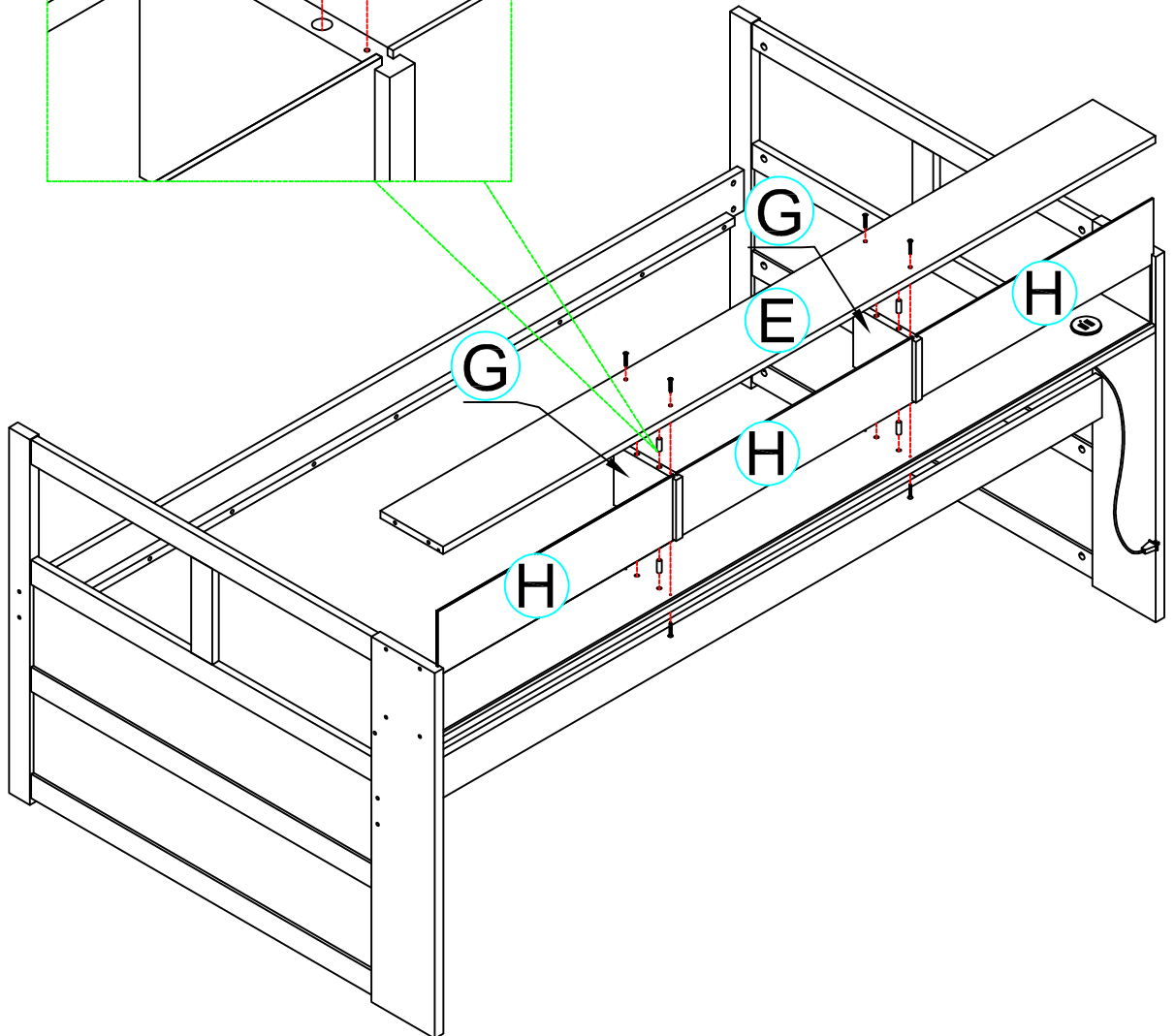
STEP 6: Following below illustration.

4	11
	
8pcs	8pcs

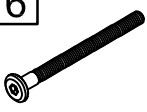



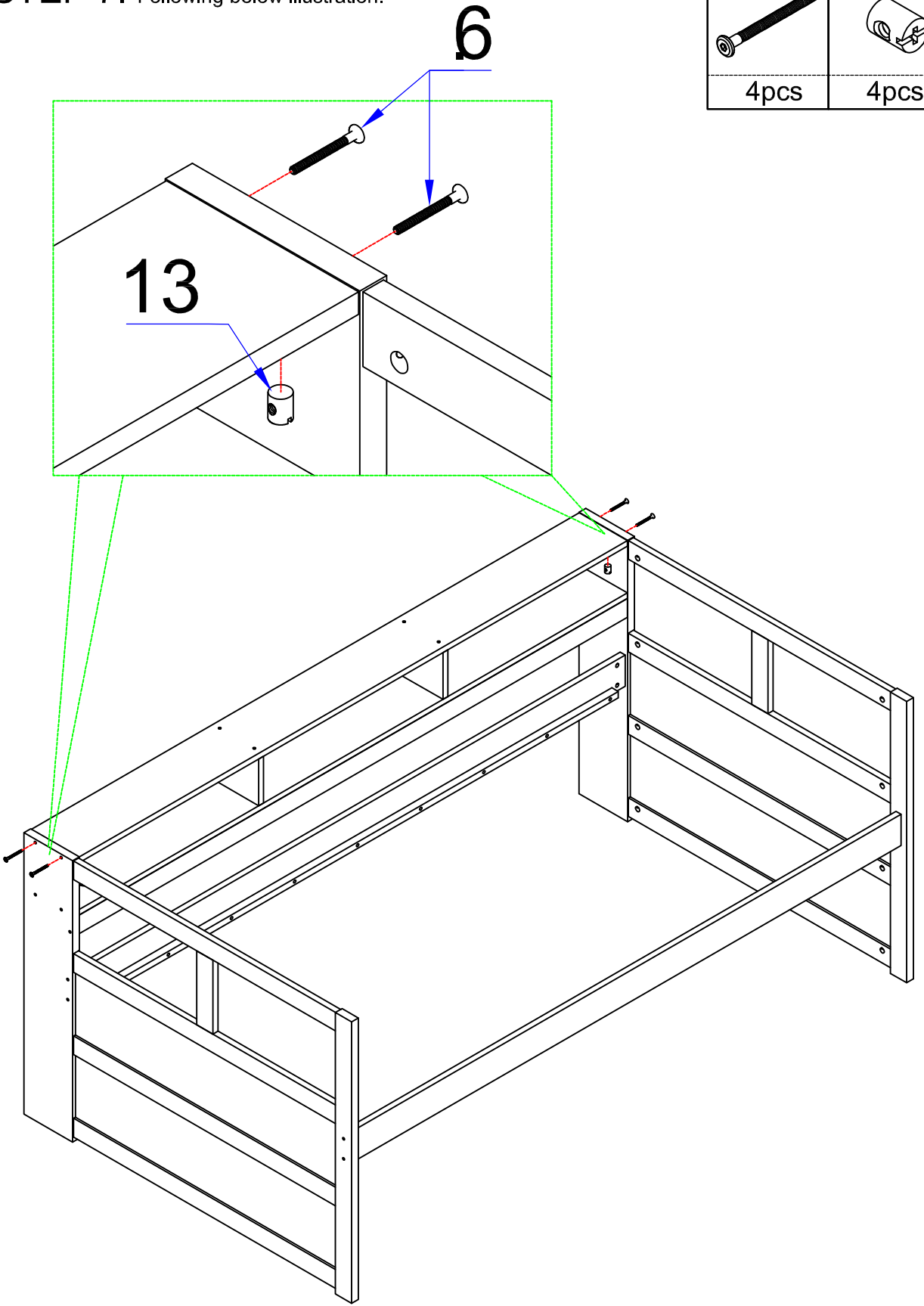
11

4




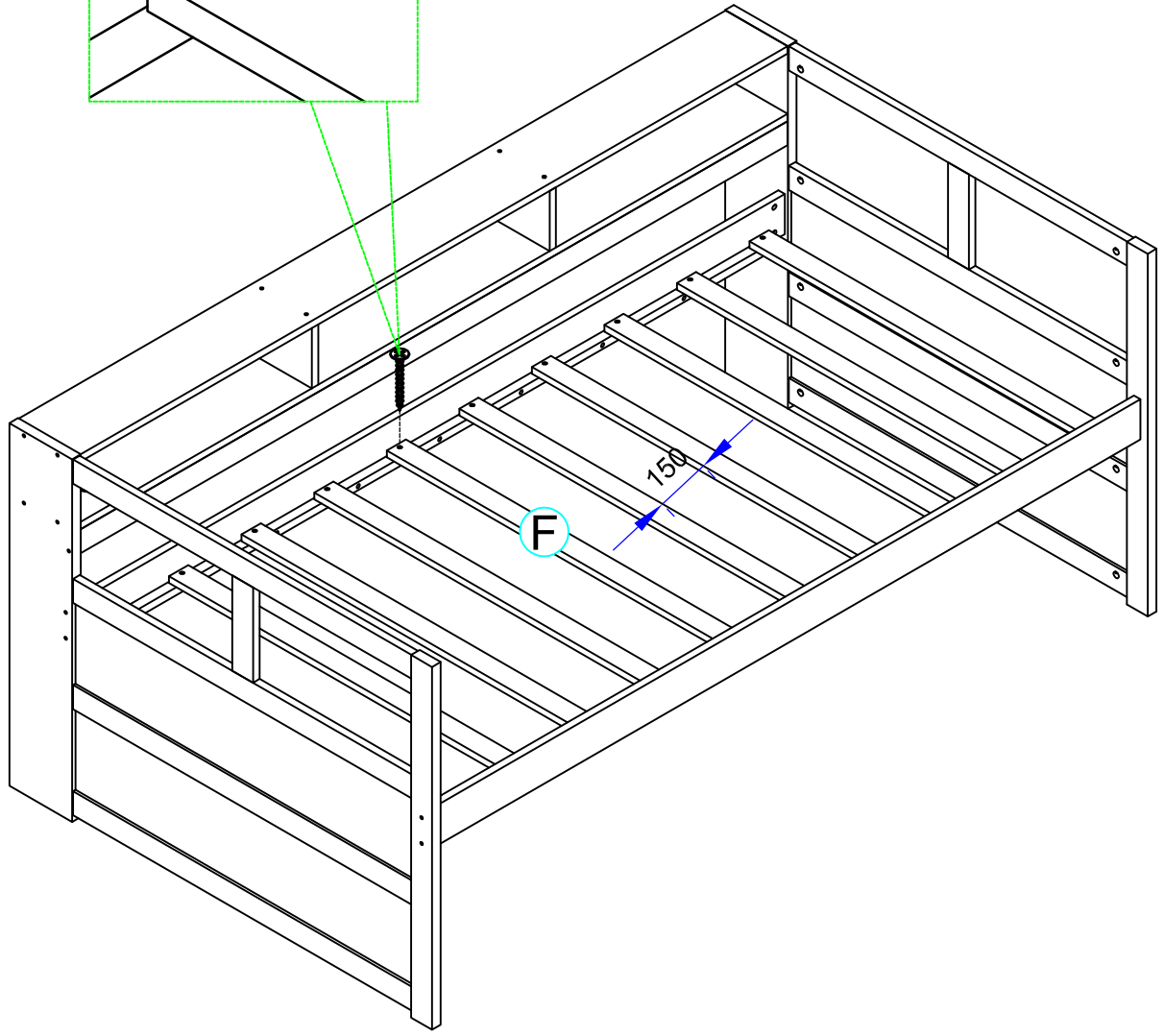
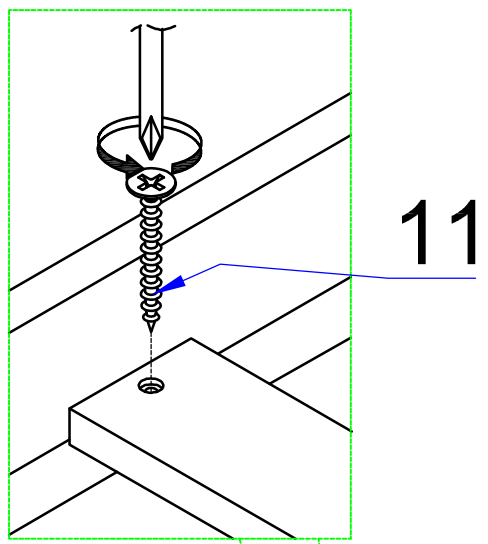
STEP 7: Following below illustration.

6 	13 
4pcs	4pcs

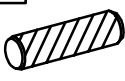
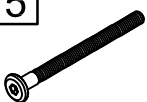



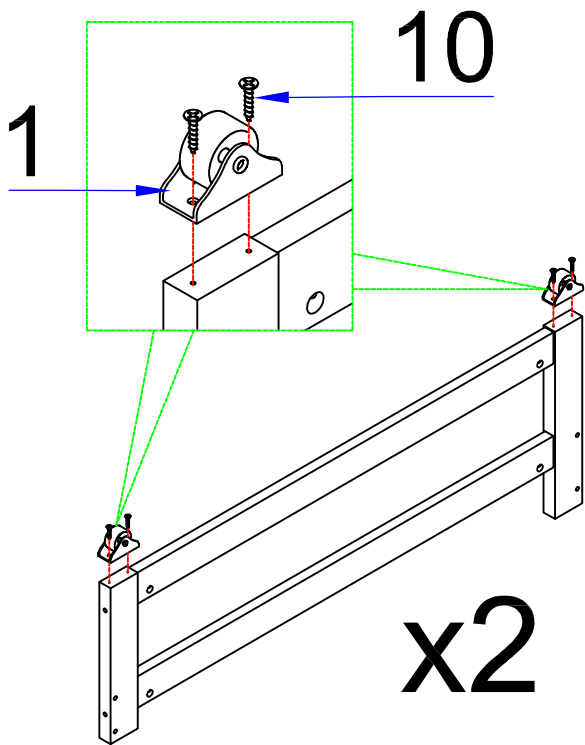
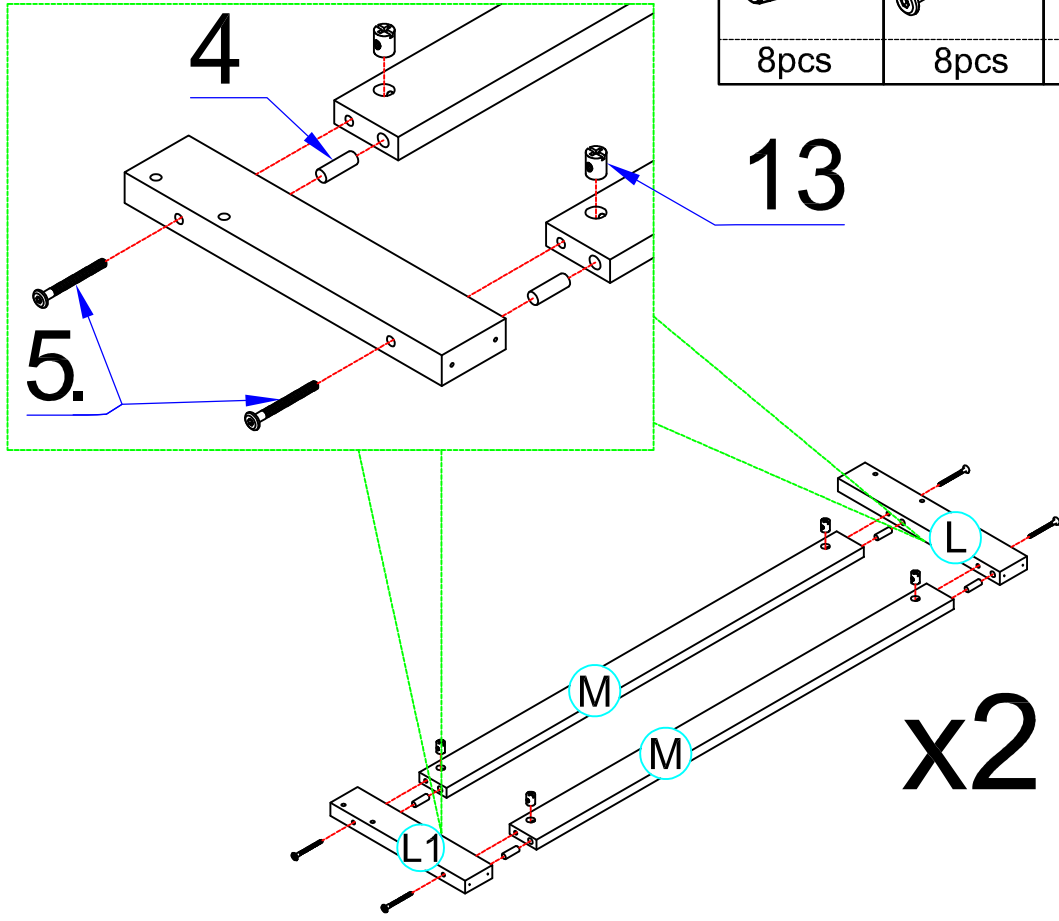
STEP 8: Following below illustration.

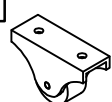

11	
20pcs	



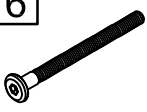

STEP 9: Following below illustration.

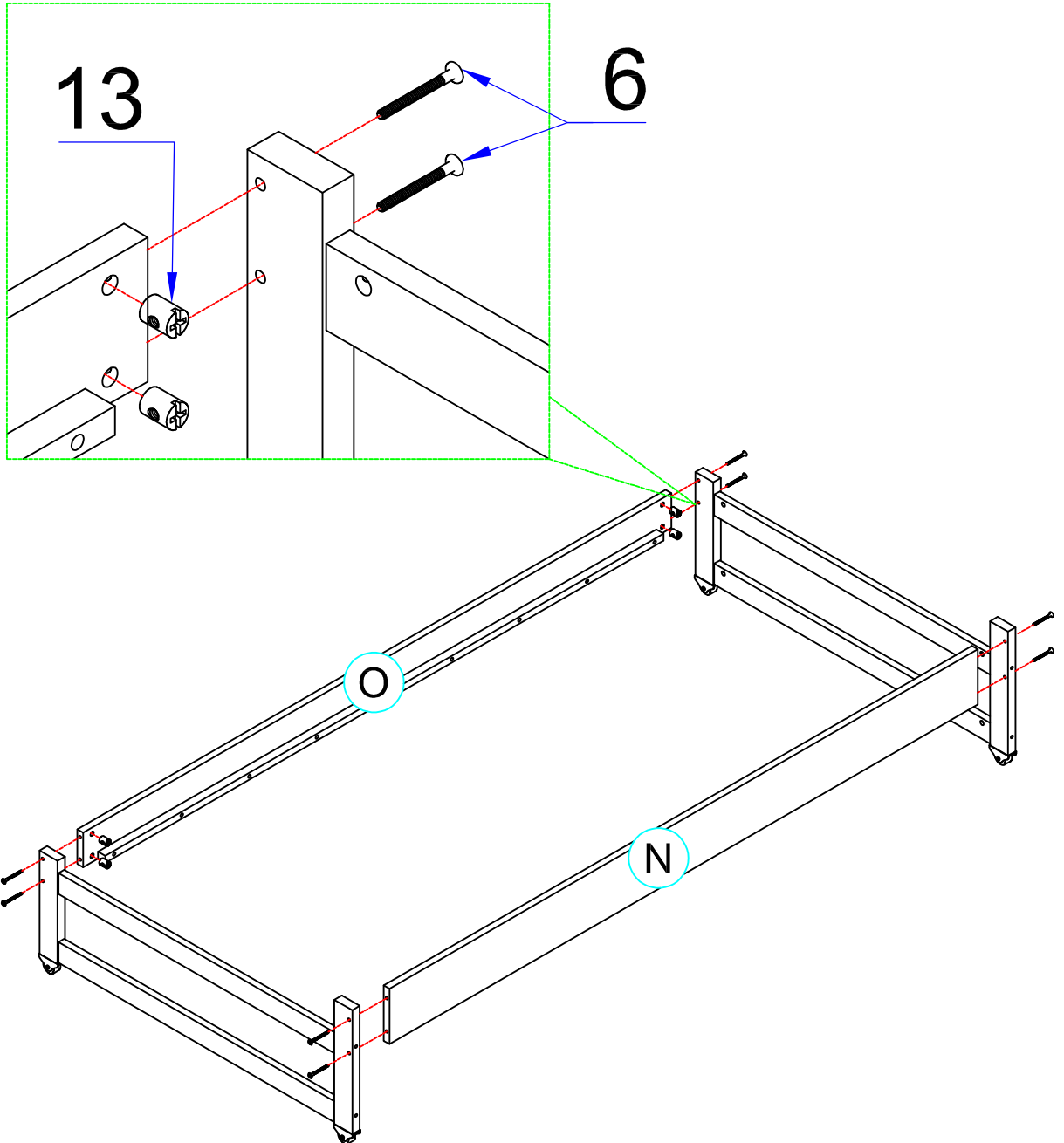
4	5	13
		
8pcs	8pcs	8pcs




1	10
	
4pcs	8pcs

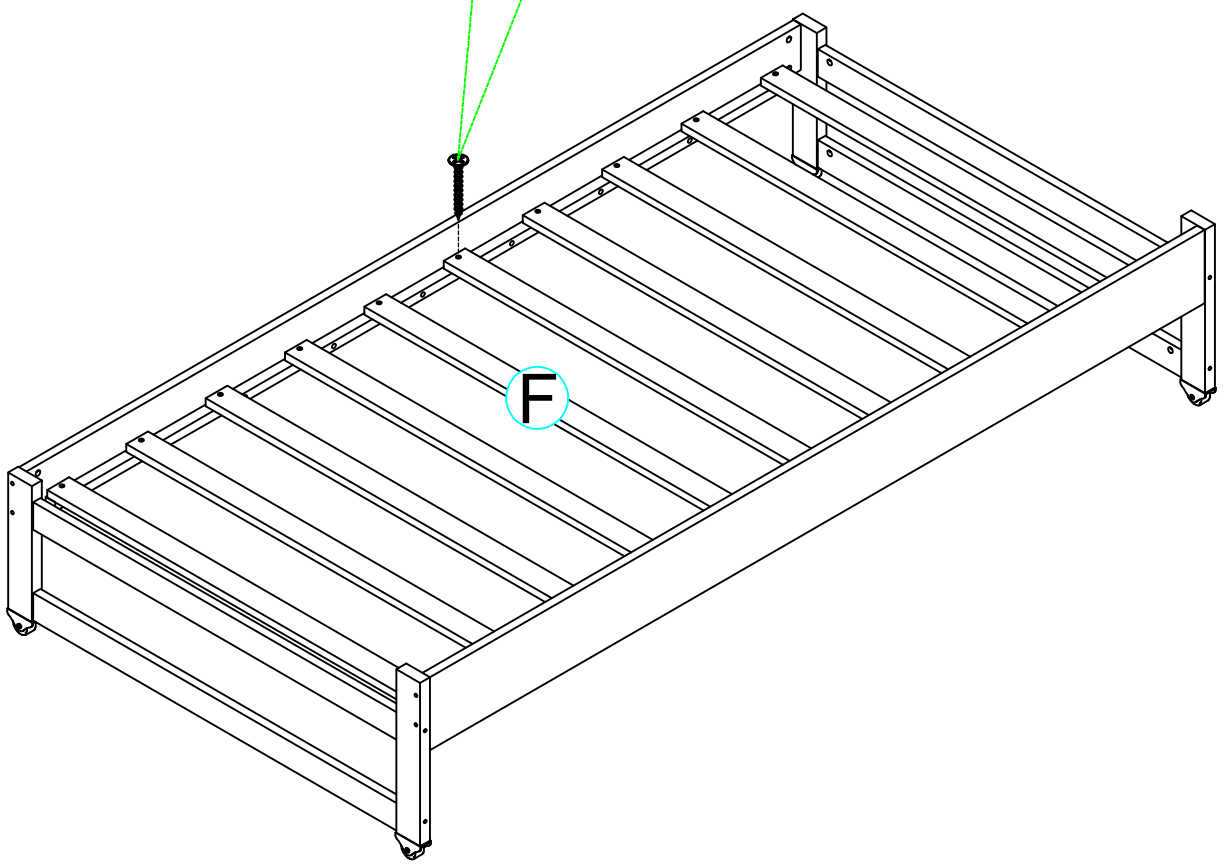
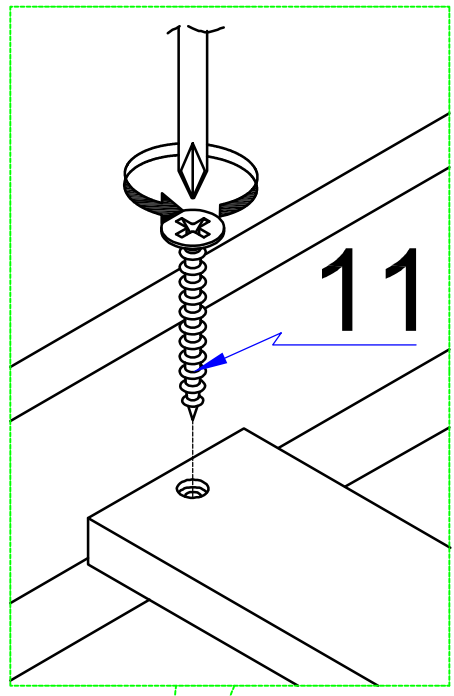
STEP 10: Following below illustration.

6		13	
8pcs		8pcs	

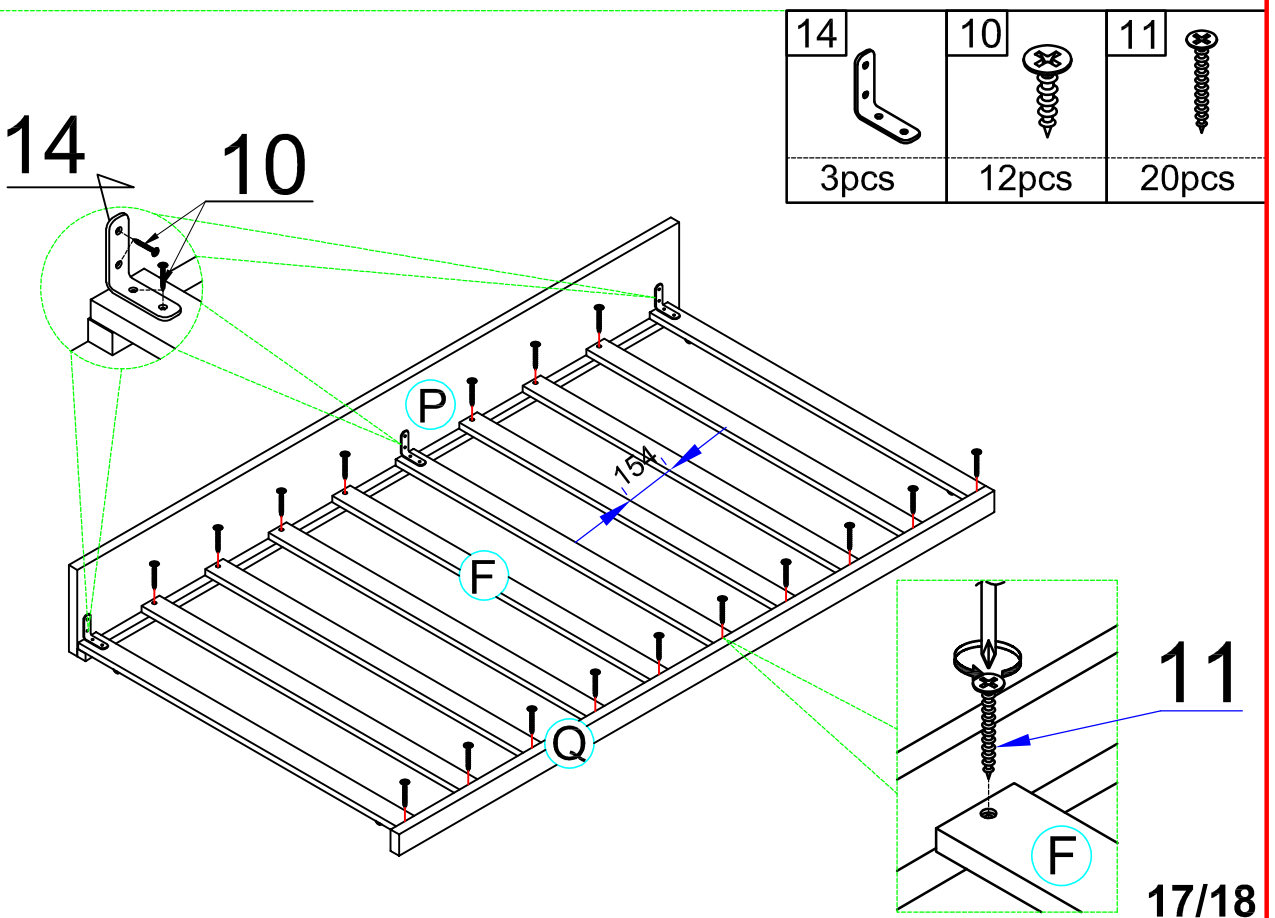
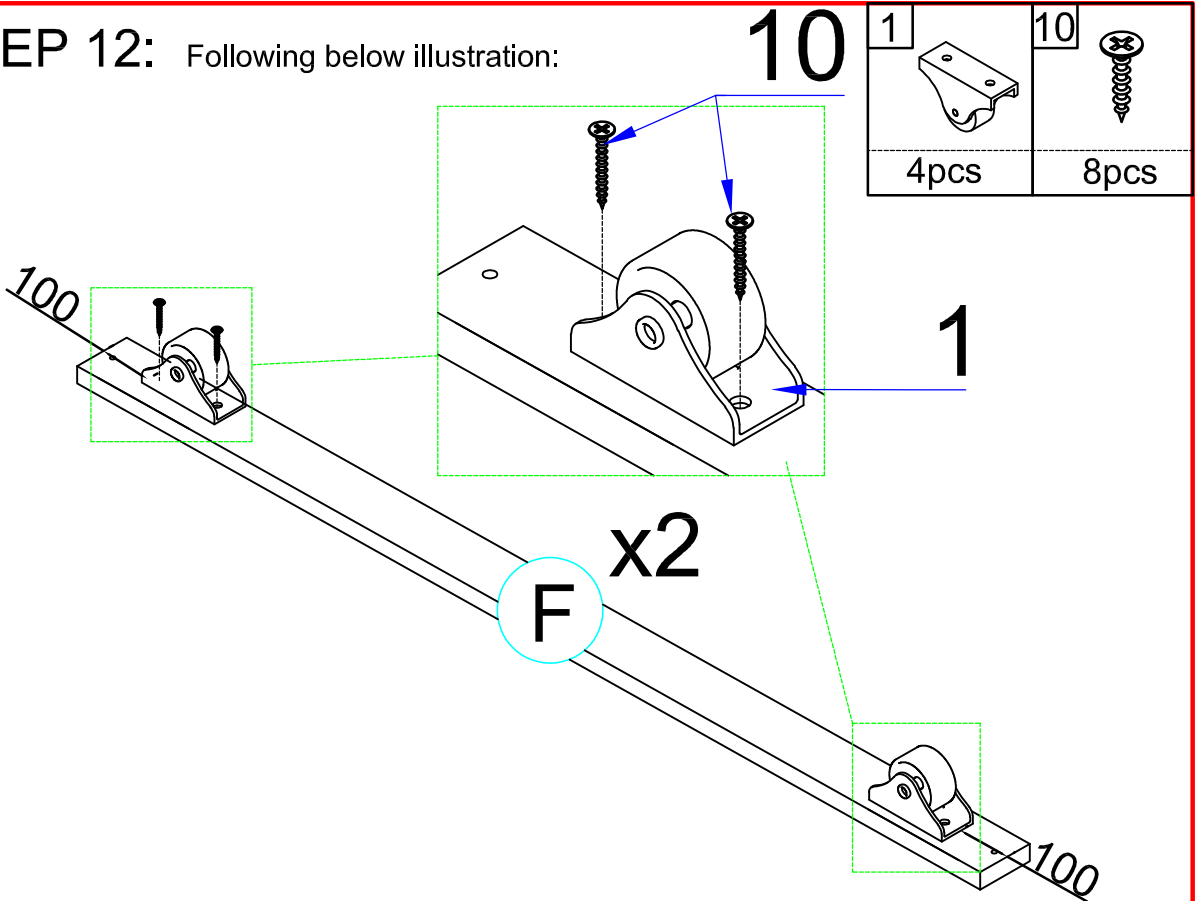


STEP 11: Following below illustration.

11	
20pcs	



STEP 12: Following below illustration:



FINISH

