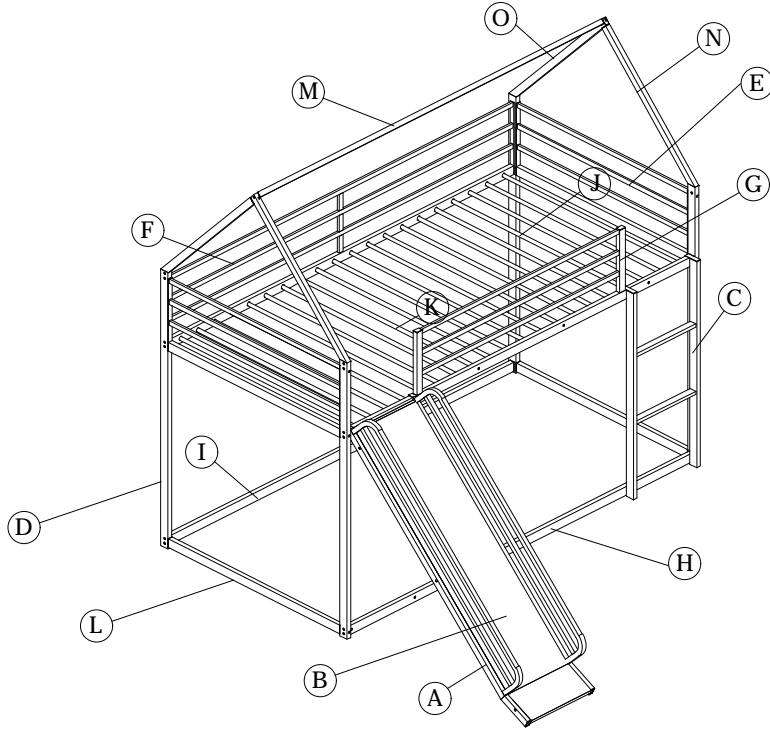
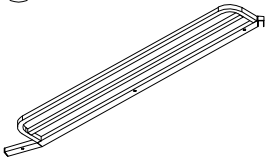
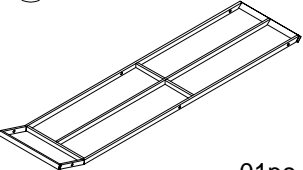
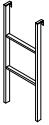

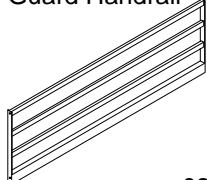
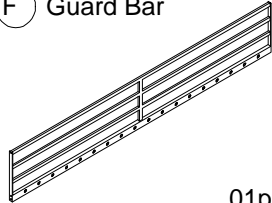
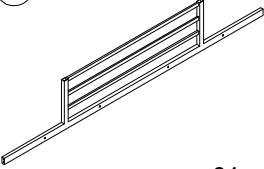



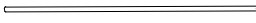






TWIN HOUSE BUNK BED WITH SLIDE ASSEMBLY INSTRUCTIONS

ITEM: WF283081AAB/WF283081AAK

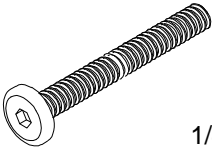
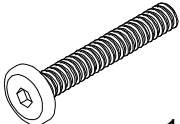
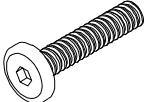
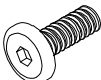




PART LIST WF283081AAB/WF283081AAK

| | | | |
|--|---|--|---|
| <p>(A) Slides Guard</p>  <p style="text-align: right;">02pcs</p> | <p>(B) Slide Frame</p>  <p style="text-align: right;">01pc</p> | <p>(C) Stair</p>  <p style="text-align: right;">01pc</p> | <p>(D) Legs</p>  <p style="text-align: right;">04pcs</p> |
| <p>(E) Guard Handrail</p>  <p style="text-align: right;">02pcs</p> | <p>(F) Guard Bar</p>  <p style="text-align: right;">01pc</p> | <p>(G) Guard Bar</p>  <p style="text-align: right;">01pc</p> | <p>(H) Hip Brace</p>  <p style="text-align: right;">01pc</p> |
| <p>(I) Hip Brace</p>  <p style="text-align: right;">01pc</p> | <p>(J) Slats</p>  <p style="text-align: right;">16pcs</p> | <p>(K) Slats</p>  <p style="text-align: right;">04pcs</p> | <p>(L) Hip Brace</p>  <p style="text-align: right;">02pcs</p> |
| <p>(M) Upper Bar</p>  <p style="text-align: right;">01pc</p> | <p>(N) Cross Ballast Bar</p>  <p style="text-align: right;">02pcs</p> | <p>(O) Cross Ballast Bar</p>  <p style="text-align: right;">02pcs</p> | |

**TWIN HOUSE BUNK BED WITH SLIDE
ASSEMBLY INSTRUCTIONS
ITEM: WF283081AAB/WF283081AAK**

HARDWARE LIST WF283081AAB/WF283081AAK

| | | | |
|---|--|--|---|
| <p>① Bolts</p>  <p>1/4*55 12 pcs</p> | <p>② Bolts</p>  <p>1/4*40 02 pcs</p> | <p>③ Bolts</p>  <p>1/4*32 28 pcs</p> | <p>④ Bolts</p>  <p>1/4*18 16 pcs</p> |
| <p>⑤ Allen Key</p>  <p>4*59 01 pcs</p> | <p>⑥ Washer</p>  <p>Ø6*Ø16 58 pcs</p> | | |

IMPORTANT SAFETY NOTICE: READ CAREFULLY BEFORE BEGINNING ASSEMBLY!

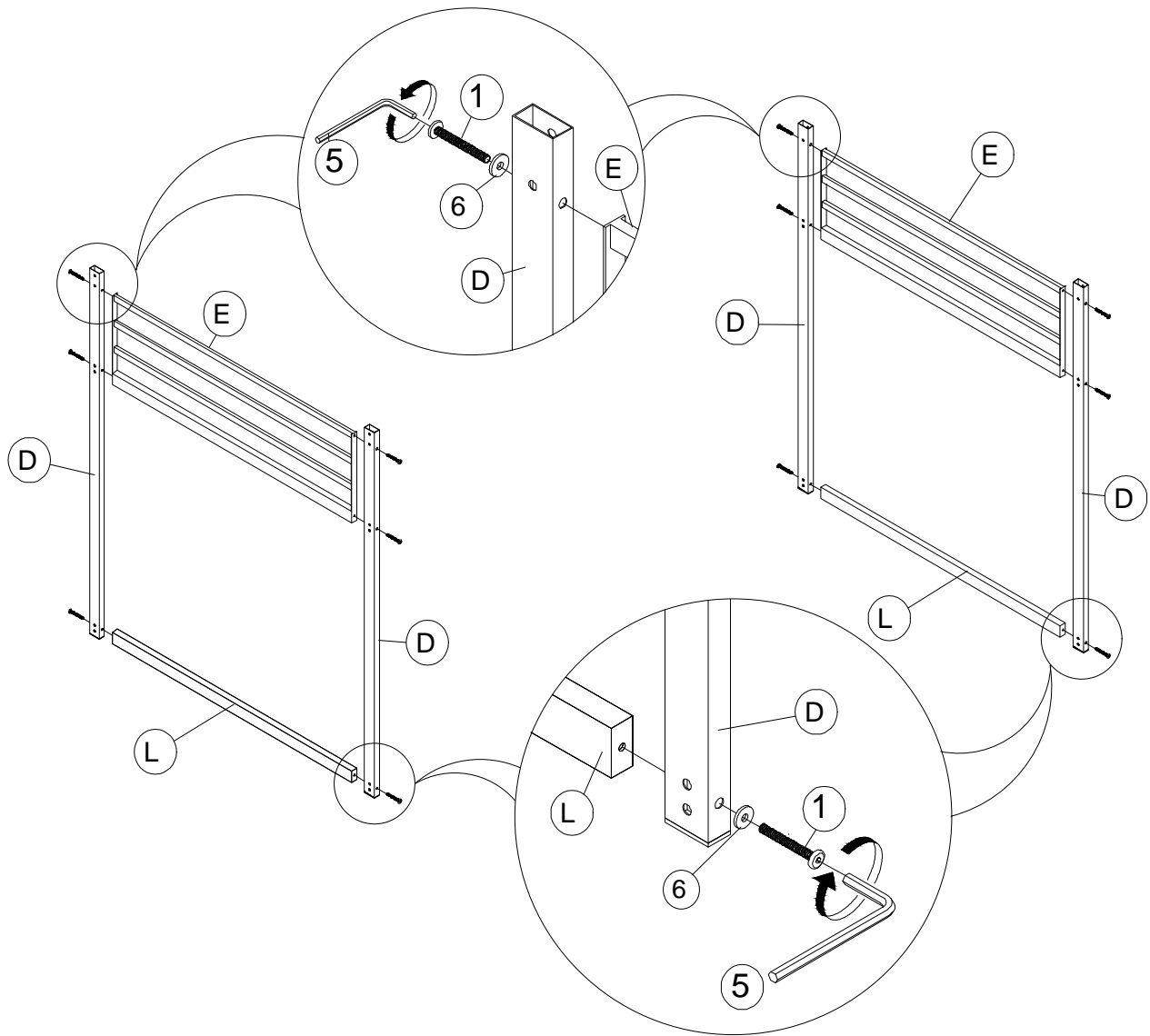
- ⚠ Follow the information on the warnings appearing on the upper bunk end structure and on the carton. Do not remove warning label from the bed.
- ⚠ Always use the recommended size mattresses or mattress supports, or both, to help prevent the likelihood of entrapment or falls.
Recommend size of mattress: LENGTH: 74"-75" WIDTH: 38.5" THICKNESS: 6"MAX
- ⚠ Surface of mattress must be at least 5 in. (127mm) below the upper edge of guardrails.
- ⚠ Do not allow children under 6 years of age to use the upper bunk.
- ⚠ Periodically check and ensure that the guardrail, ladder, and other components are in their proper position, free from damage, and that all connectors are tight.
- ⚠ Do not allow horseplay on or under the bed and prohibit jumping on the bed.
- ⚠ Always use the ladder for entering and leaving the upper bunk.
- ⚠ Do not use substitute parts. Contact the manufacturer or dealer for replacement parts.
- ⚠ Use of a night light may provide added safety precaution for a child using the upper bunk.
- ⚠ Always use guardrails on both long sides of the upper bunk. If the bunk bed will be placed next to the wall, the guardrail that runs the full length of the bed should be placed against the wall to prevent entrapment between the bed and wall.
- ⚠ The use of water or sleep flotation mattress is prohibited.
- ⚠ **STRANGULATION HAZARD** - Never attach or hang items to any part of the bunk bed that are not designed for use with the bed; for example, but not limited to, hooks, belts and jump ropes.
- ⚠ Keep these instructions for future reference.



TWIN HOUSE BUNK BED WITH SLIDE

ASSEMBLY INSTRUCTIONS

ITEM: WF283081AAB/WF283081AAK

STEP 1



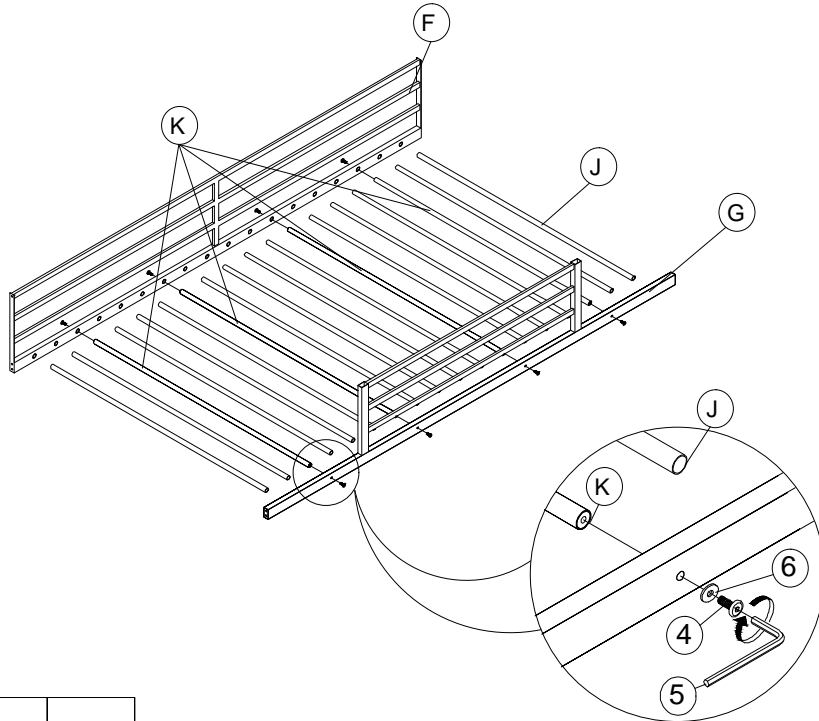
| | | | |
|---|---|--------|--------|
| 6 |  | Ø6*Ø16 | 12 pcs |
| 1 |  | 1/4*55 | 12 pcs |

TWIN HOUSE BUNK BED WITH SLIDE

ASSEMBLY INSTRUCTIONS

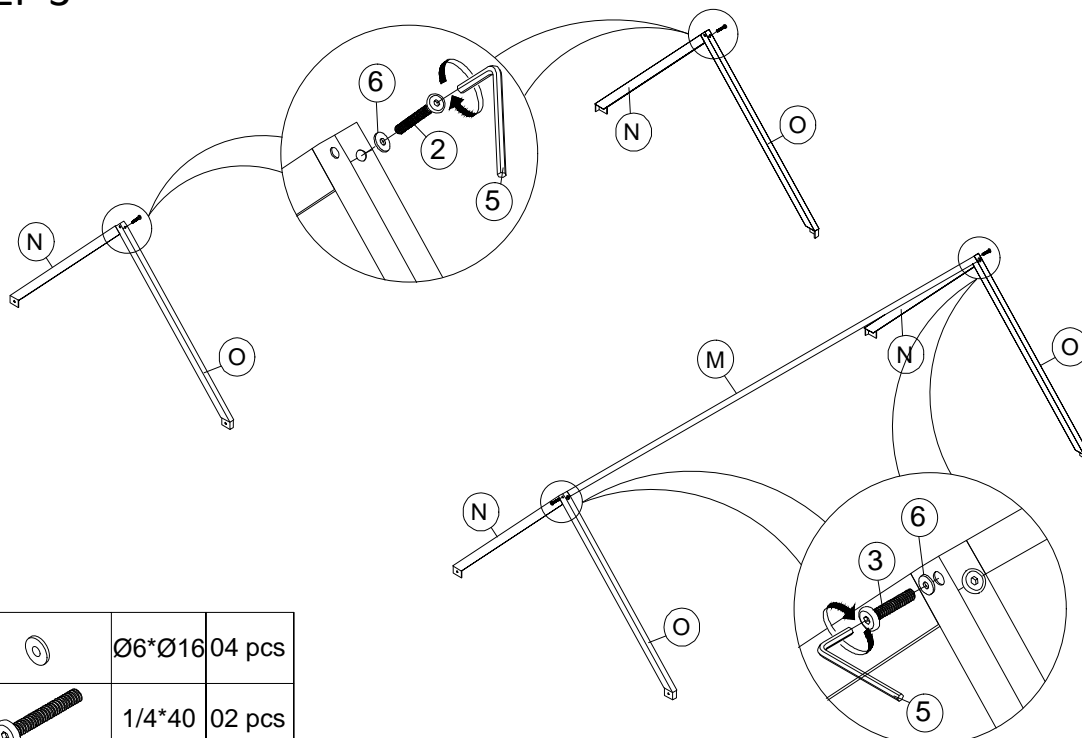
ITEM: WF283081AAB/WF283081AAK

STEP 2



| | | | |
|---|--|--------|--------|
| 6 | | Ø6*Ø16 | 08 pcs |
| 4 | | 1/4*18 | 08 pcs |

STEP 3

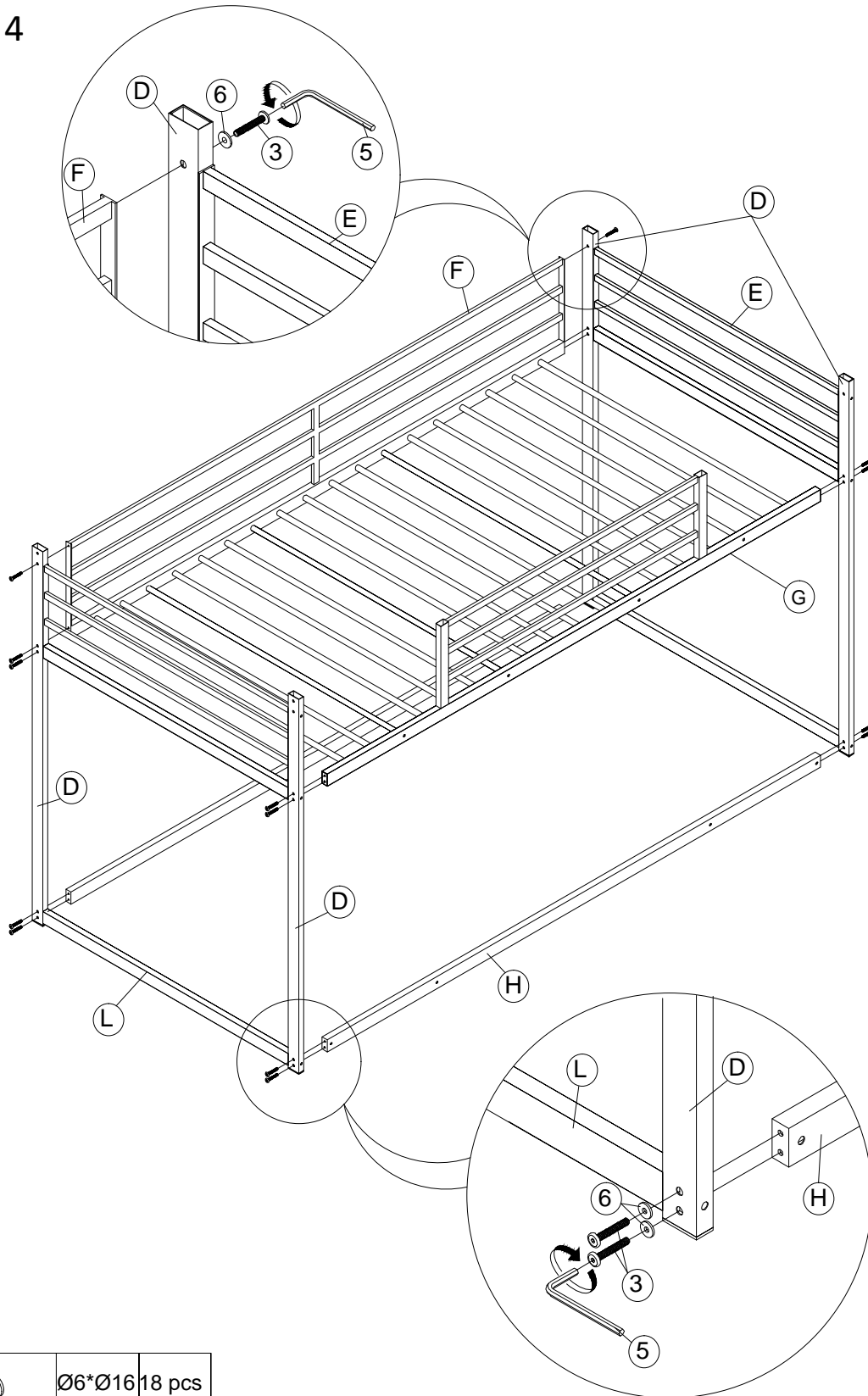




| | | | |
|---|--|--------|--------|
| 6 | | Ø6*Ø16 | 04 pcs |
| 2 | | 1/4*40 | 02 pcs |
| 3 | | 1/4*32 | 02 pcs |

TWIN HOUSE BUNK BED WITH SLIDE ASSEMBLY INSTRUCTIONS

ITEM: WF283081AAB/WF283081AAK

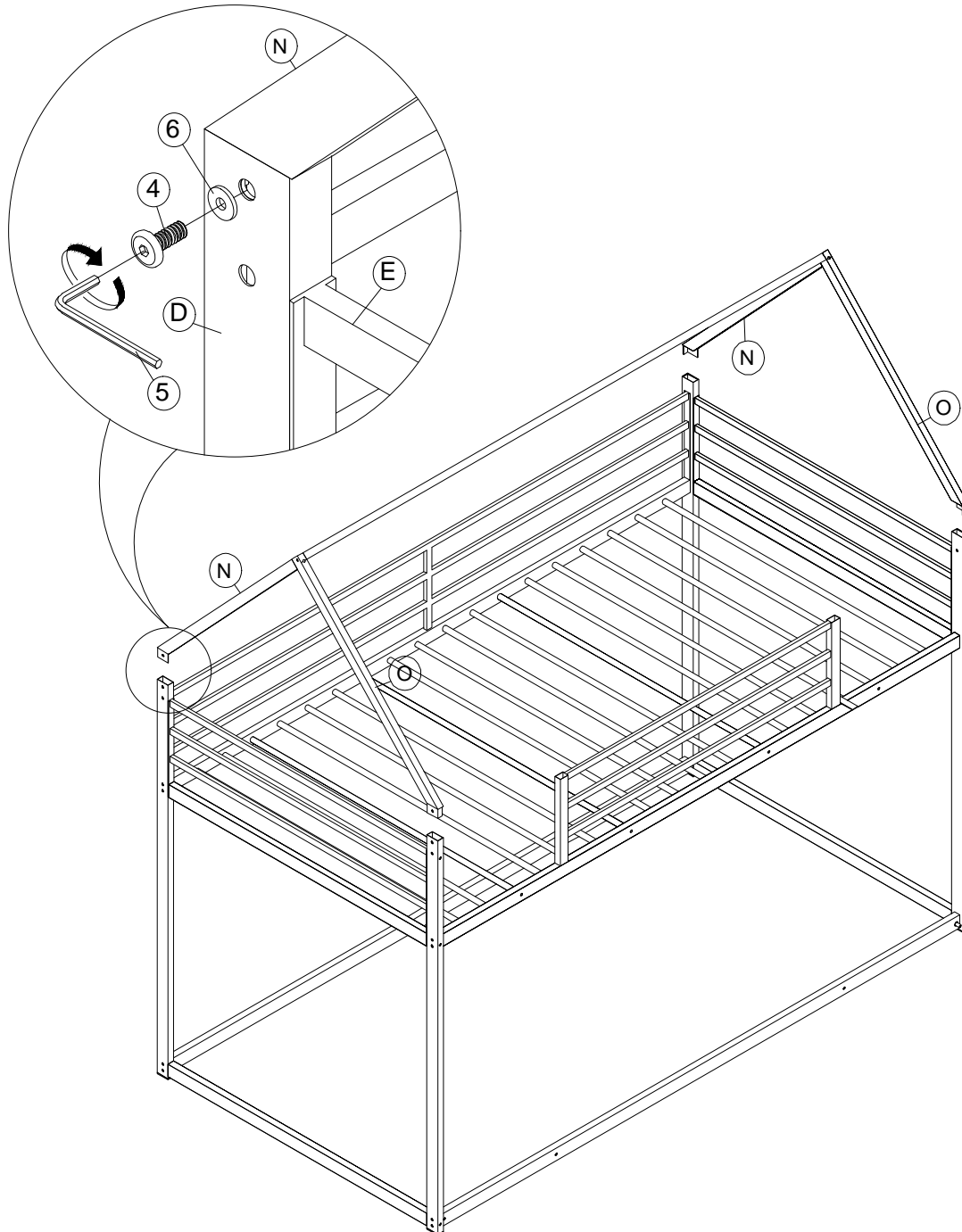
STEP 4





| | | | |
|---|---|--------|--------|
| 6 |  | Ø6*Ø16 | 18 pcs |
| 3 |  | 1/4*32 | 18 pcs |

TWIN HOUSE BUNK BED WITH SLIDE
ASSEMBLY INSTRUCTIONS
ITEM: WF283081AAB/WF283081AAK

STEP 5



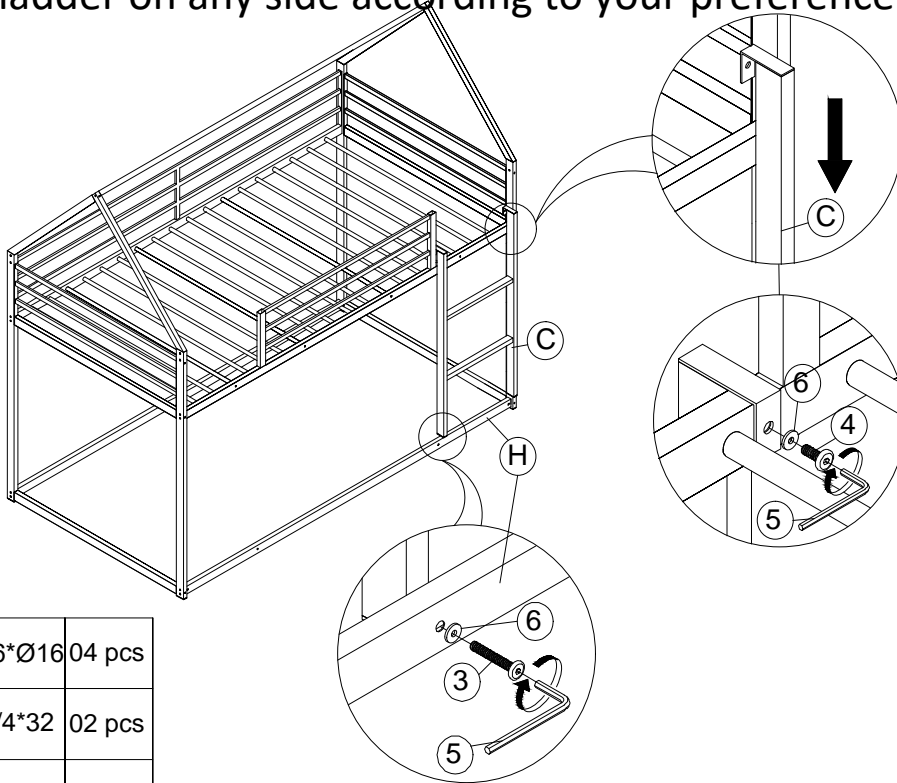
| | | | |
|---|---|--------|--------|
| 6 |  | Ø6*Ø16 | 04 pcs |
| 4 |  | 1/4*18 | 04 pcs |




TWIN HOUSE BUNK BED WITH SLIDE ASSEMBLY INSTRUCTIONS

ITEM: WF283081AAB/WF283081AAK

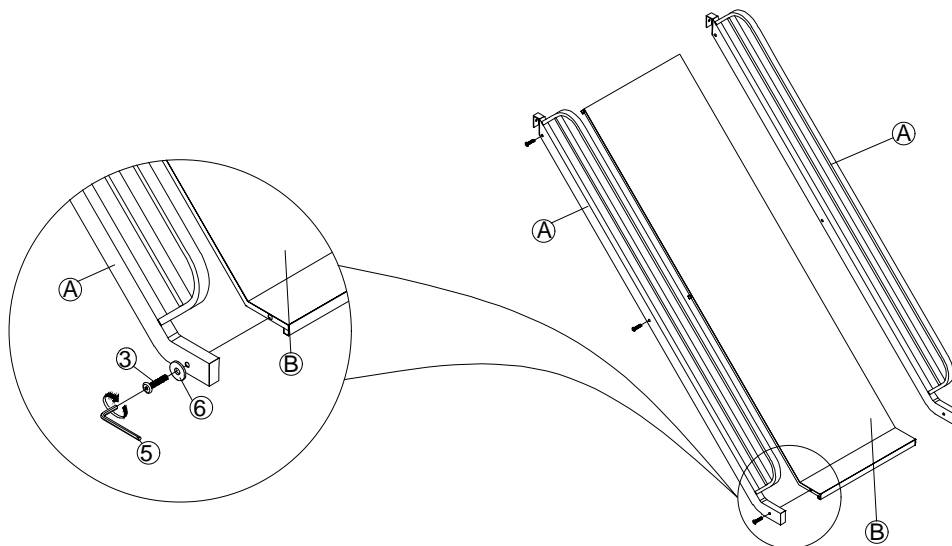
STEP 6



Install the ladder on any side according to your preference



| | | | |
|---|---|--------|--------|
| 6 |  | Ø6*Ø16 | 04 pcs |
| 3 |  | 1/4*32 | 02 pcs |
| 4 |  | 1/4*18 | 02 pcs |

STEP 7

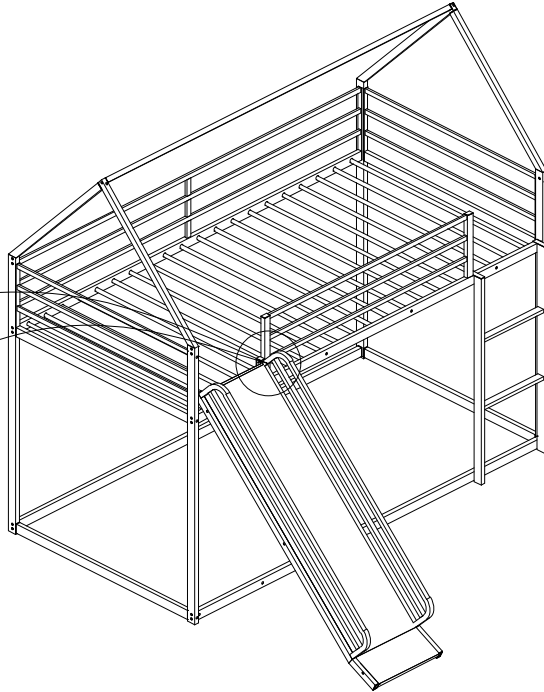
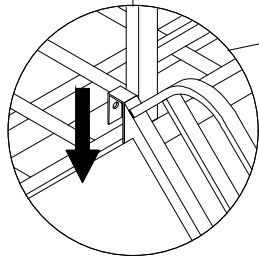
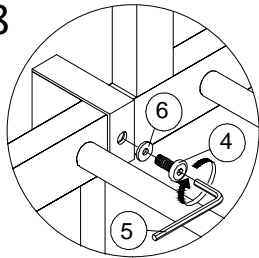




| | | | |
|---|---|--------|--------|
| 6 |  | Ø6*Ø16 | 06 pcs |
| 3 |  | 1/4*32 | 06 pcs |

TWIN HOUSE BUNK BED WITH SLIDE ASSEMBLY INSTRUCTIONS

ITEM: WF283081AAB/WF283081AAK

STEP 8



| | | | |
|---|---|--------|--------|
| 6 |  | Ø6*Ø16 | 02 pcs |
| 4 |  | 1/4*18 | 02 pcs |

COMPLETE

