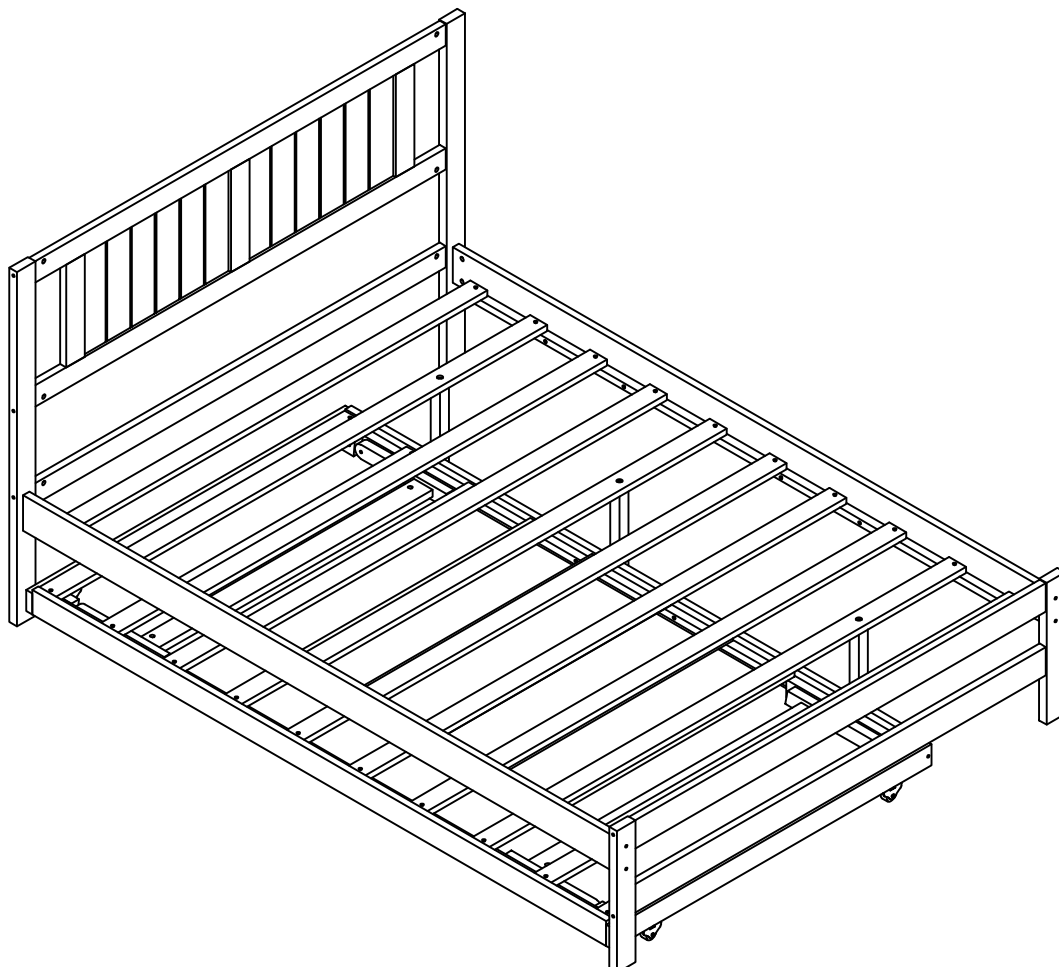


ASSEMBLY INSTRUCTION

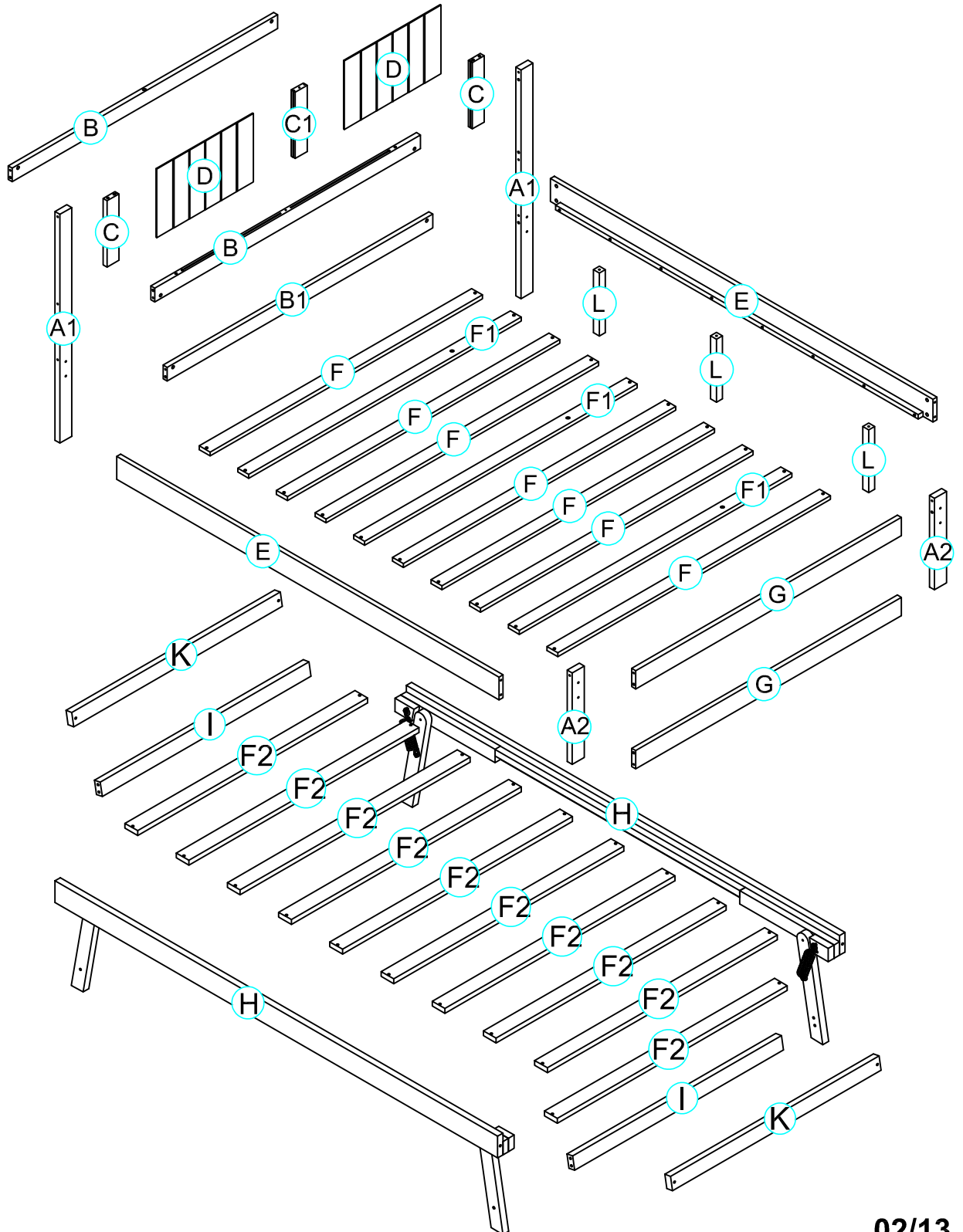
SKU CODE: (WF299727)





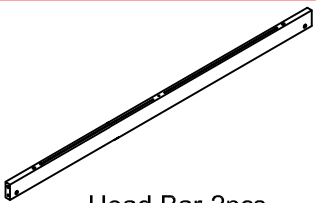
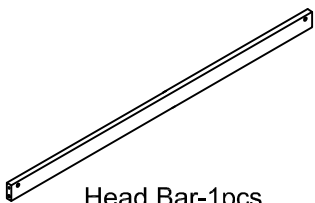

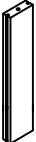
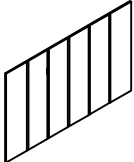
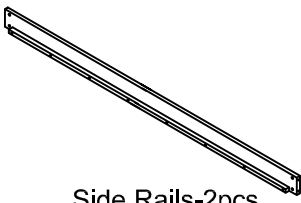
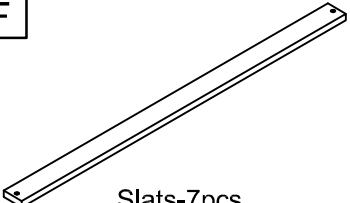
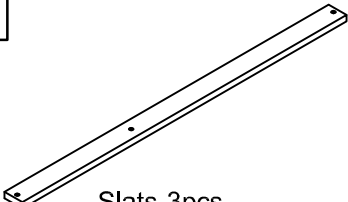
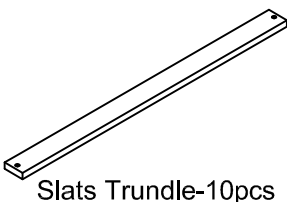
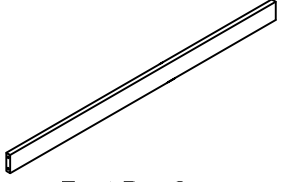
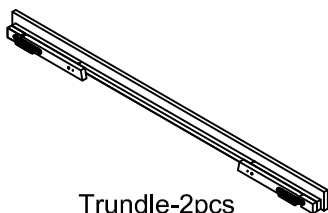
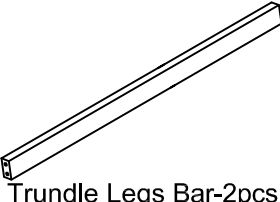
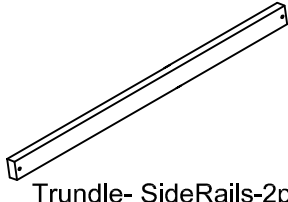

! SAFETY WARNINGS !

1. This bed is designed for use FULL Mattress 75 inch Long 54 inch Wide and 75 inch Long 39 inch Wide.
2. Always use the recommended size mattresses or mattress supports, or both, to help prevent the likelihood of entrapment or falls.
3. Do not allow horseplay on or under the bed and prohibit jumping on the bed
4. Do not use substitute parts. Contact the manufacturer or dealer for replacement parts.
5. Keep these instructions for future reference





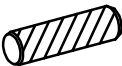
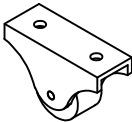




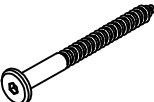
ASSEMBLY INSTRUCTION

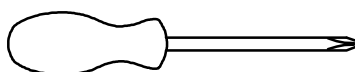


Part List (WF299727)

<p>A1</p>  <p>HeadBoard-2pcs</p>	<p>A2</p>  <p>FootBoard-2pcs</p>	<p>B</p>  <p>Head Bar-2pcs</p>
<p>B1</p>  <p>Head Bar-1pcs</p>	<p>C</p>  <p>Vertical Bar-2pcs</p>	<p>C1</p>  <p>Vertical Bar-1pcs</p>
<p>D</p>  <p>Head Panels-2pcs</p>	<p>E</p>  <p>Side Rails-2pcs</p>	<p>F</p>  <p>Slats-7pcs</p>
<p>F1</p>  <p>Slats-3pcs</p>	<p>F2</p>  <p>Slats Trundle-10pcs</p>	<p>G</p>  <p>Foot Bar-2pcs</p>
<p>H</p>  <p>Trundle-2pcs</p>	<p>I</p>  <p>Trundle Legs Bar-2pcs</p>	<p>K</p>  <p>Trundle- SideRails-2pcs</p>
<p>L</p>  <p>Support Legs-3pcs</p>		

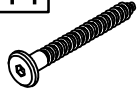
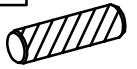
Hardware List (WF299727)

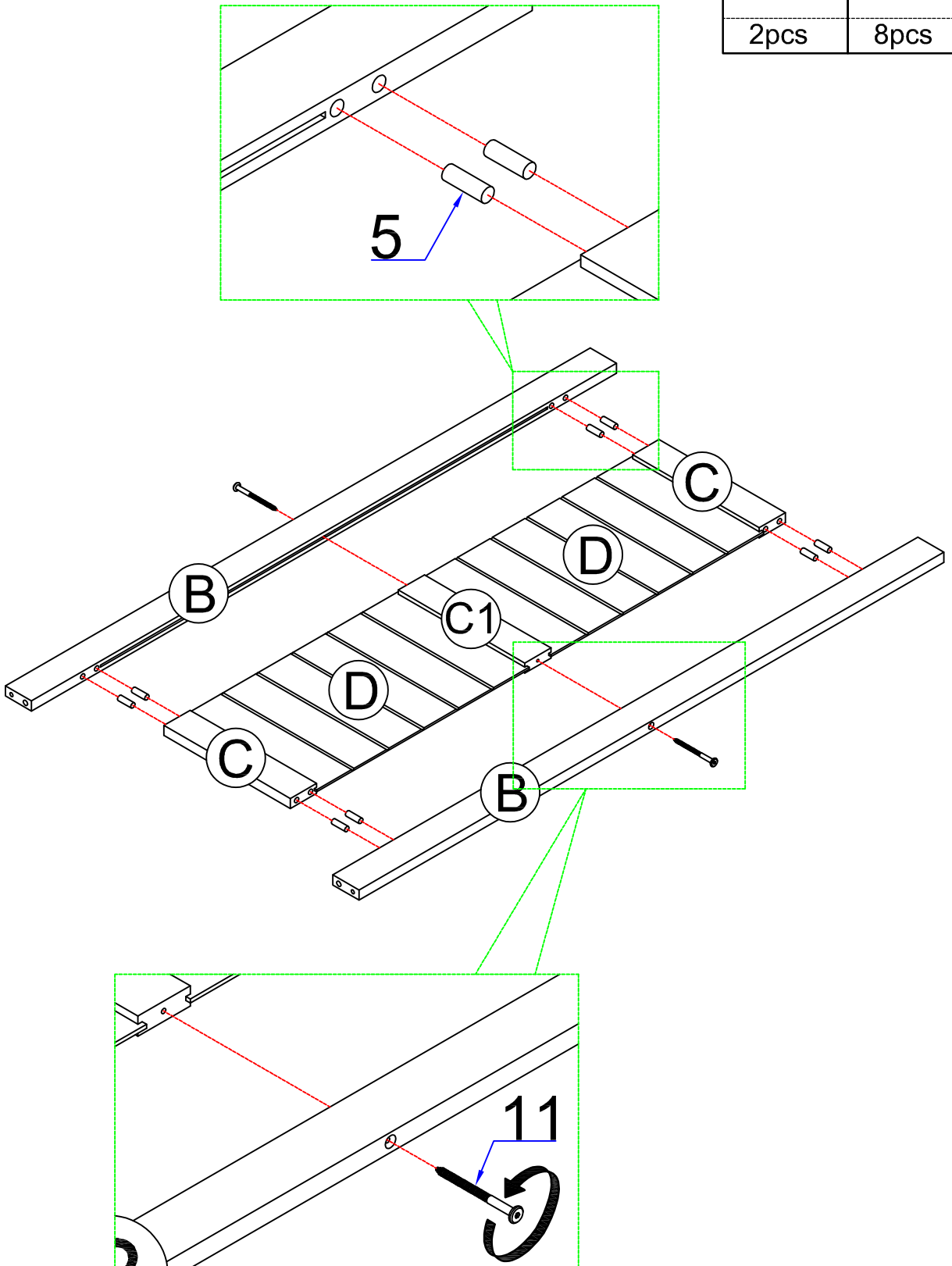
<p>1</p>  <p>Ø1/4" x 100mm Hex-Head bolts 10pcs</p>	<p>2</p>  <p>Ø11.5 x 15 mm Horizontal-Hole bolts 22pcs</p>	<p>3</p>  <p>Ø1/4" x 50 mm Wood Screws 4pcs</p>
<p>4</p>  <p>M4 x 30 mm Wood Screws 40pcs</p>	<p>5</p>  <p>Ø10 x 30 mm Wood dowel 22pcs</p>	<p>6</p>  <p>Wheels 4pcs</p>
<p>7</p>  <p>Allen Key 1pcs</p>	<p>8</p>  <p>Ø1/4" x 25mm Hex-Head bolts 3pcs</p>	<p>9</p>  <p>M4 x 20 mm Wood Screws 8pcs</p>
<p>10</p>  <p>Ø1/4" x 60mm Hex-Head bolts 12pcs</p>	<p>11</p>  <p>Ø1/4" x 90 mm Wood Screws 2pcs</p>	





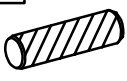
Assembly Tools Required (Not Included)

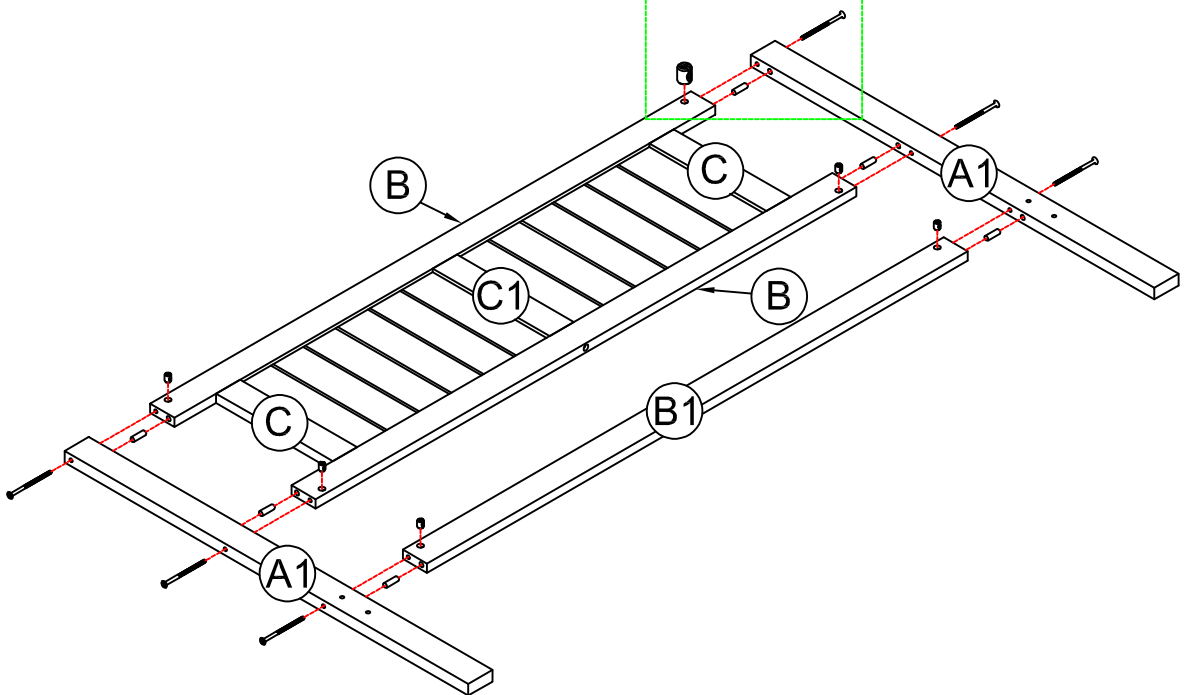
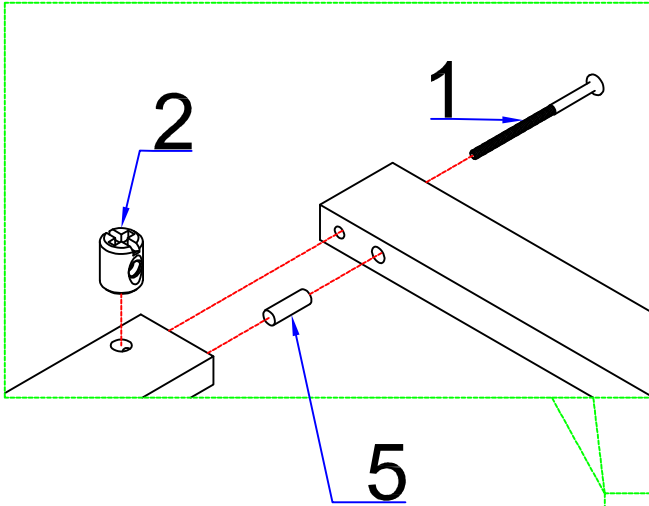
STEP 1: Following below illustration

11		5	
2pcs		8pcs	



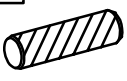


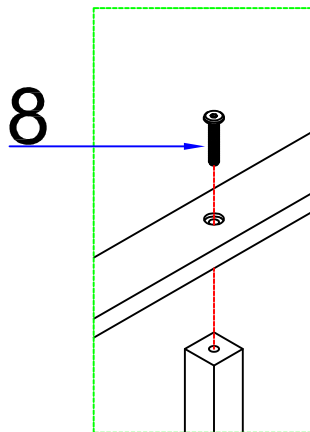
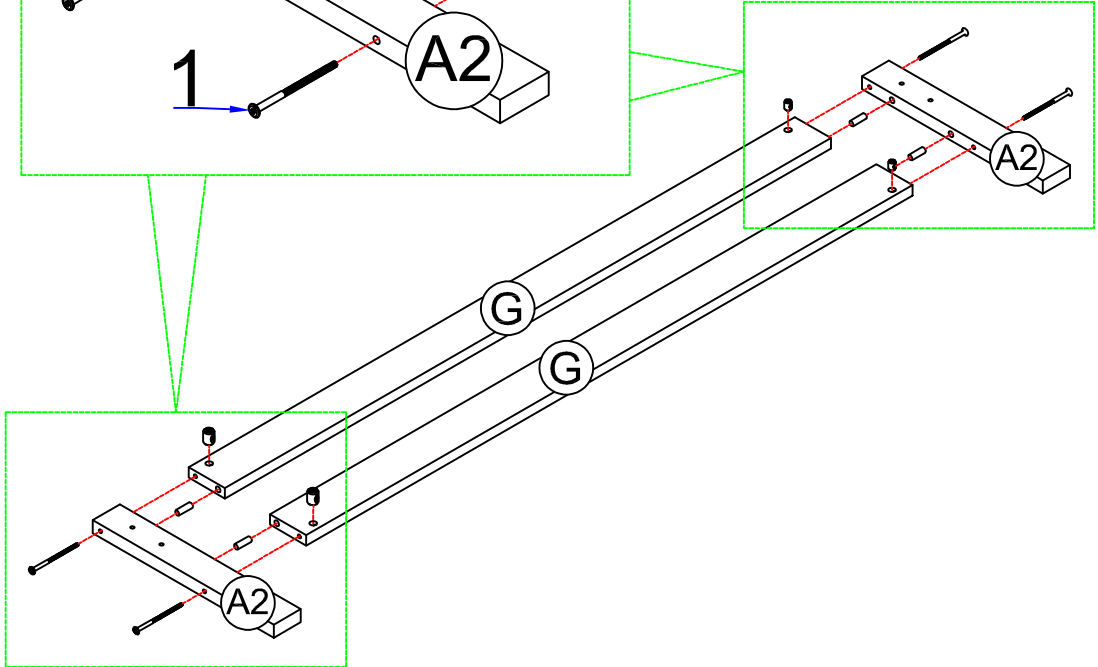
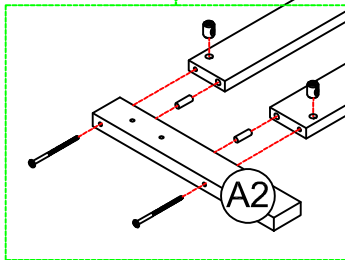
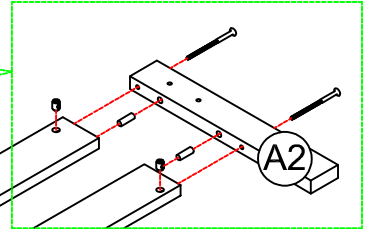
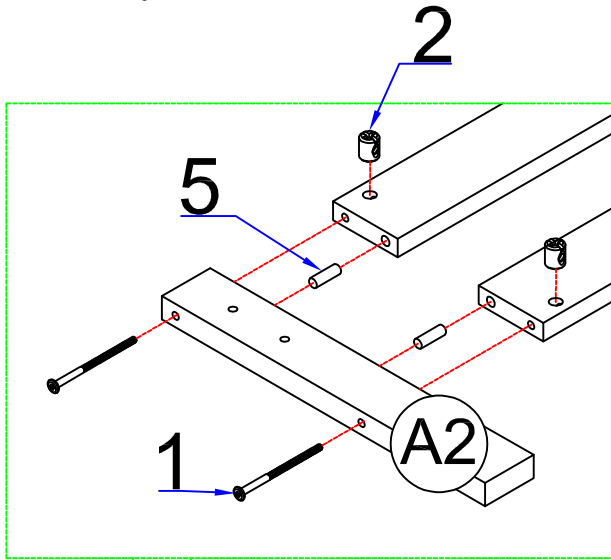
STEP 2: Following below illustration


1		2		5	
6pcs		6pcs		6pcs	

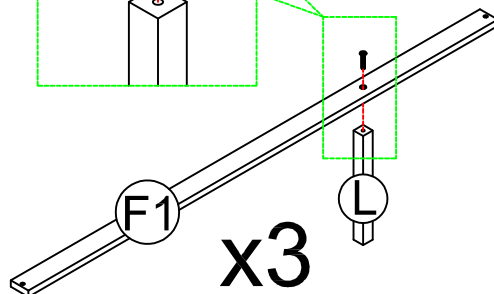


STEP 3: Following below illustration:



1		2		5	
4pcs		4pcs		4pcs	



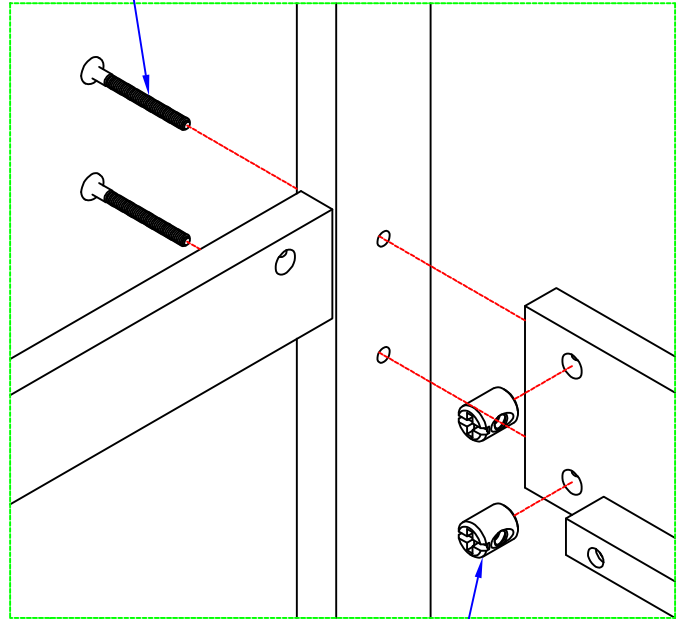
8	
3pcs	



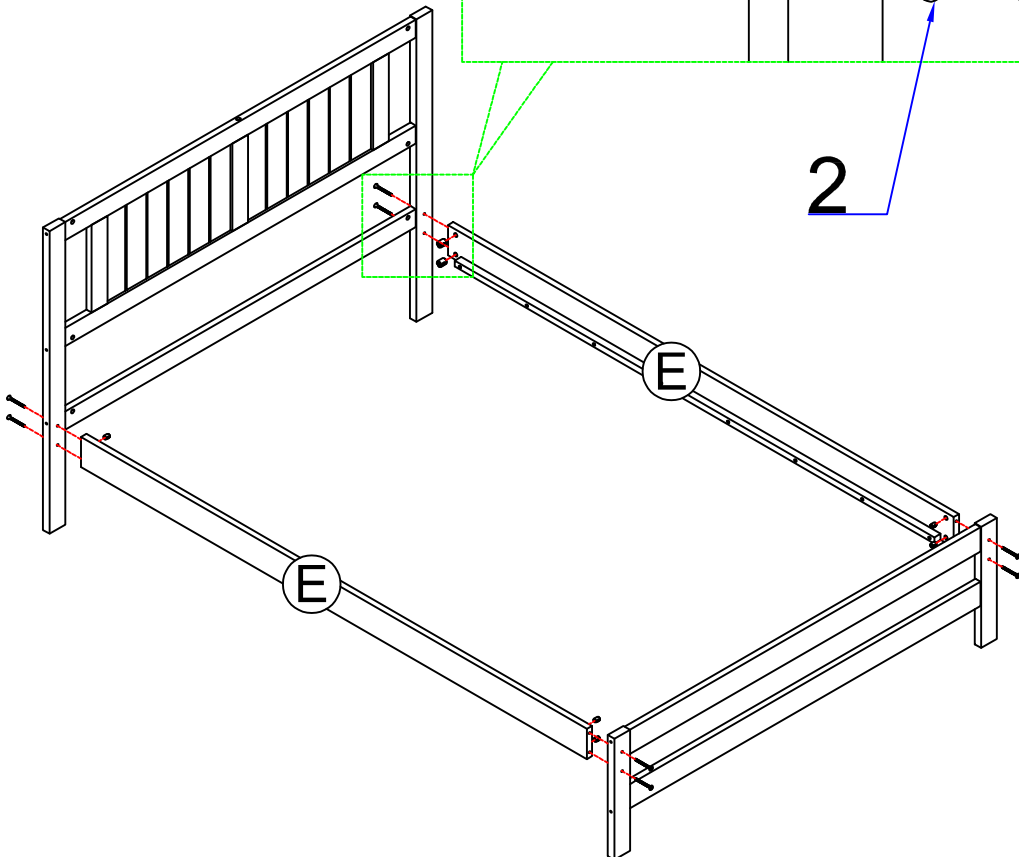
STEP 4: Following below illustration

10	2
	
8pcs	8pcs


10

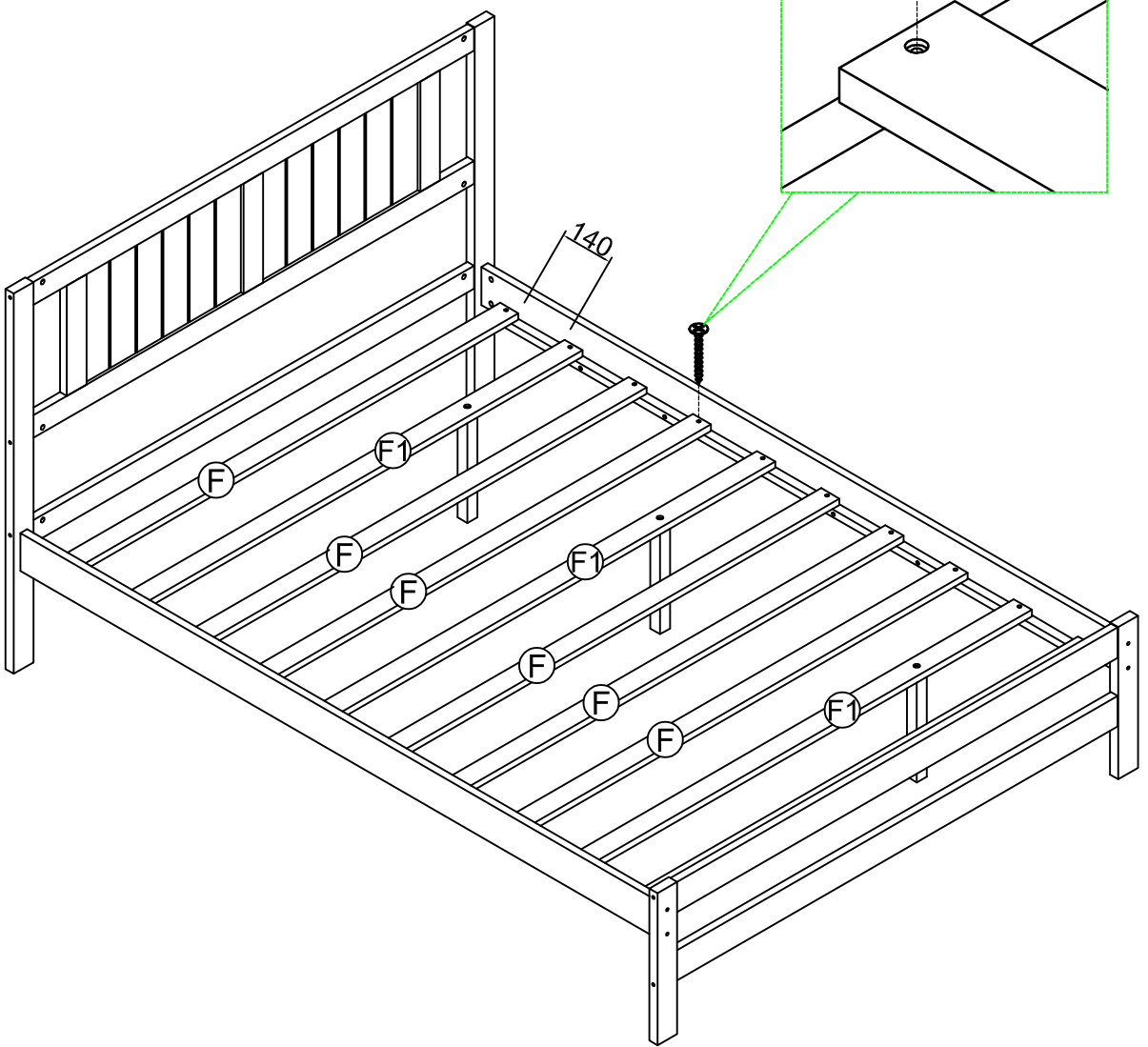
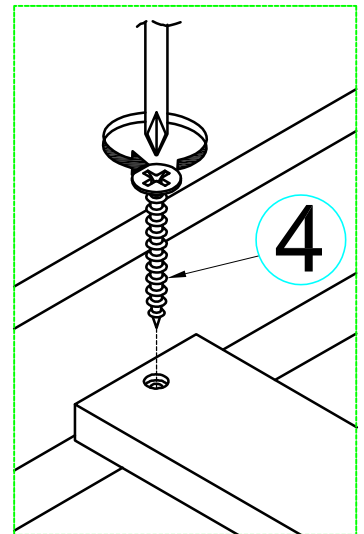


2





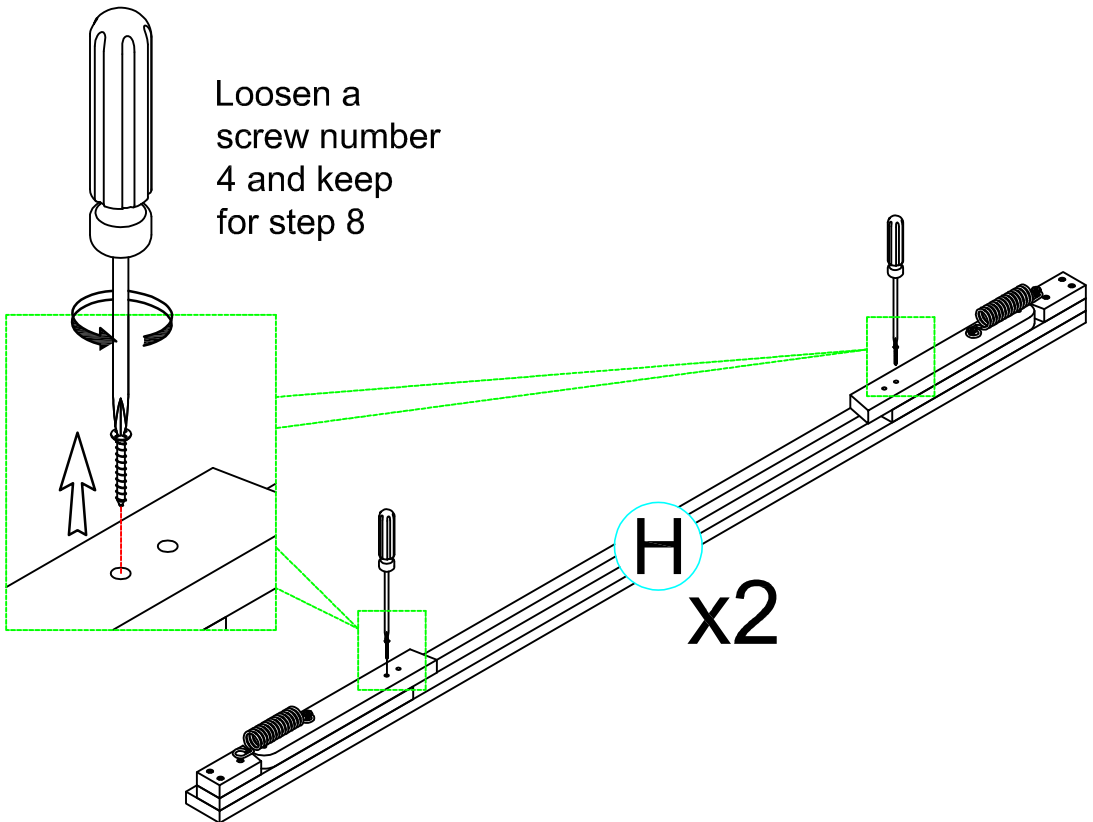
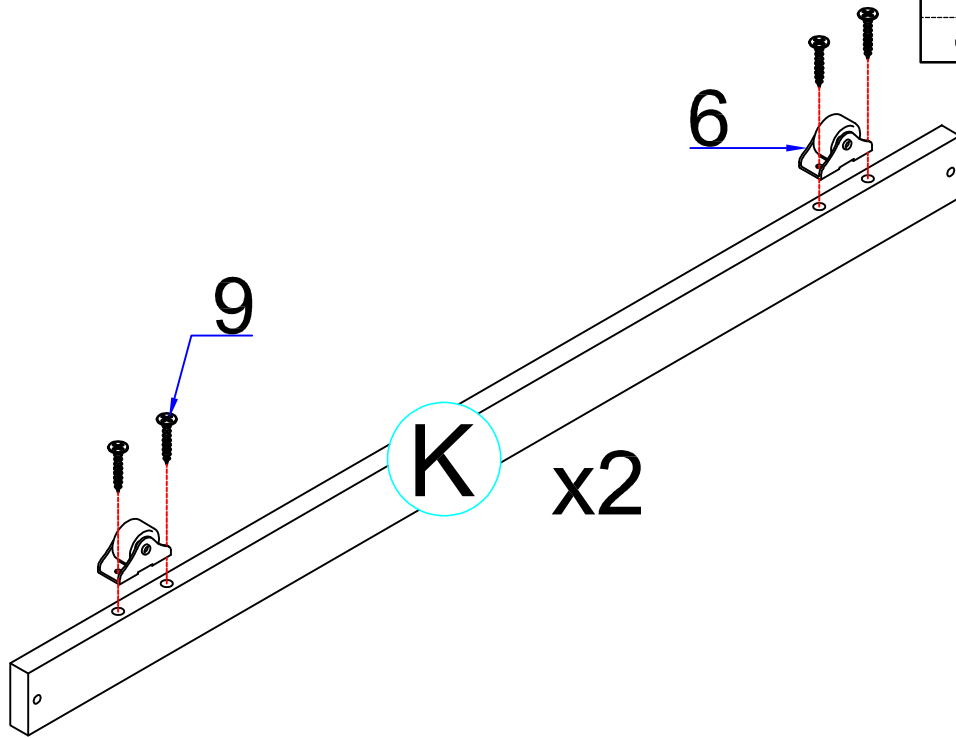
STEP 5: Following below illustration:

4

20pcs


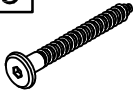




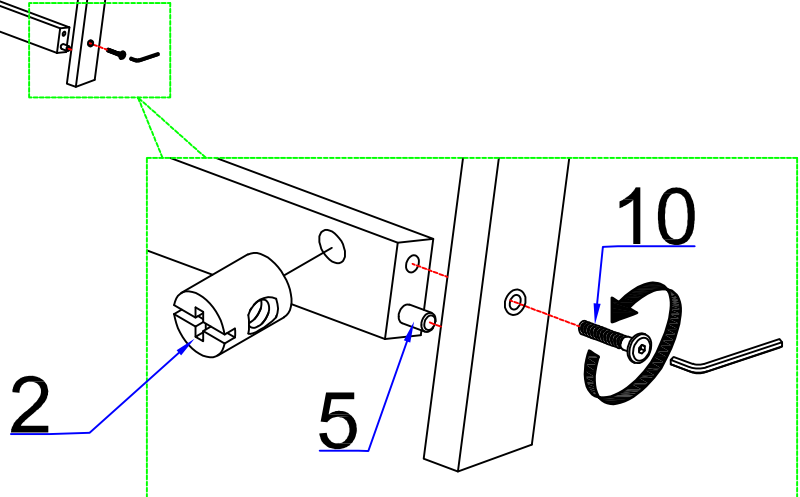
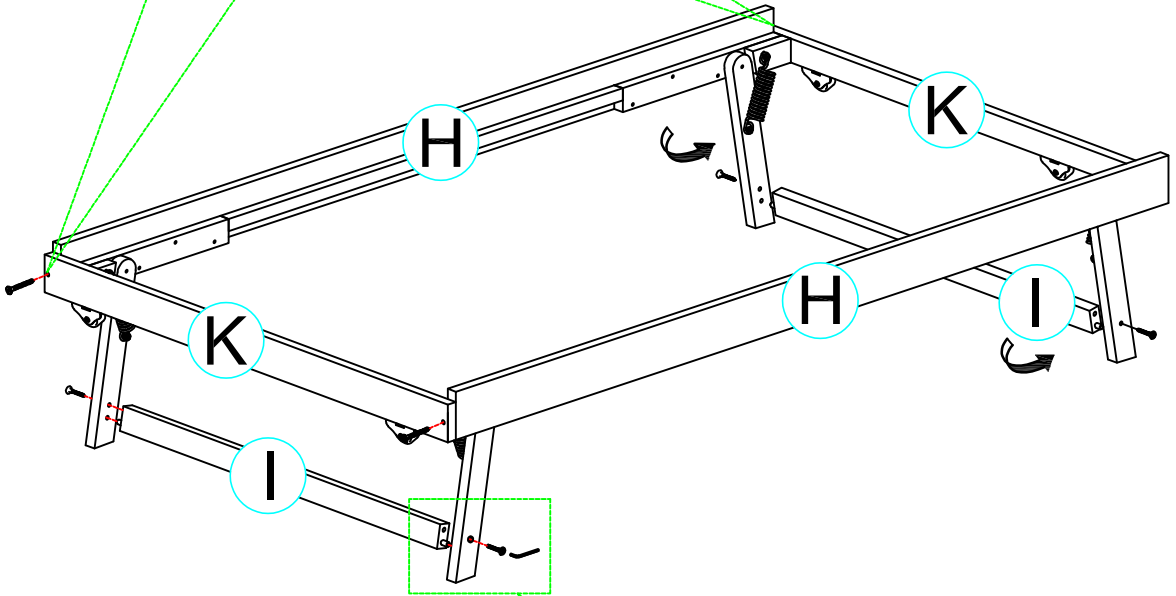
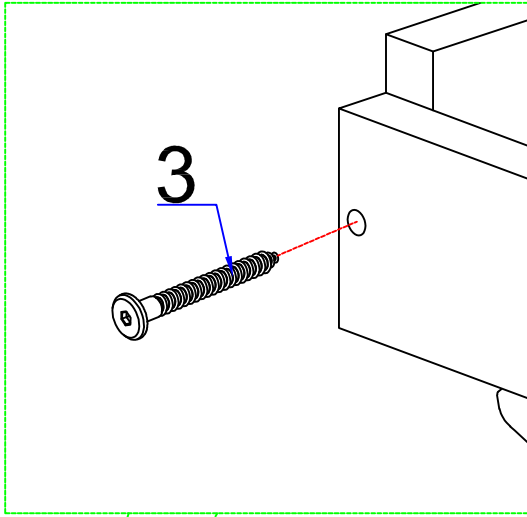
STEP 6: Following below illustration:

9		6	
8pcs		4pcs	



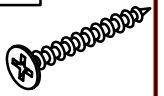
STEP 7: Following below illustration:

2	3	10	5
			
4pcs	4pcs	4pcs	4pcs

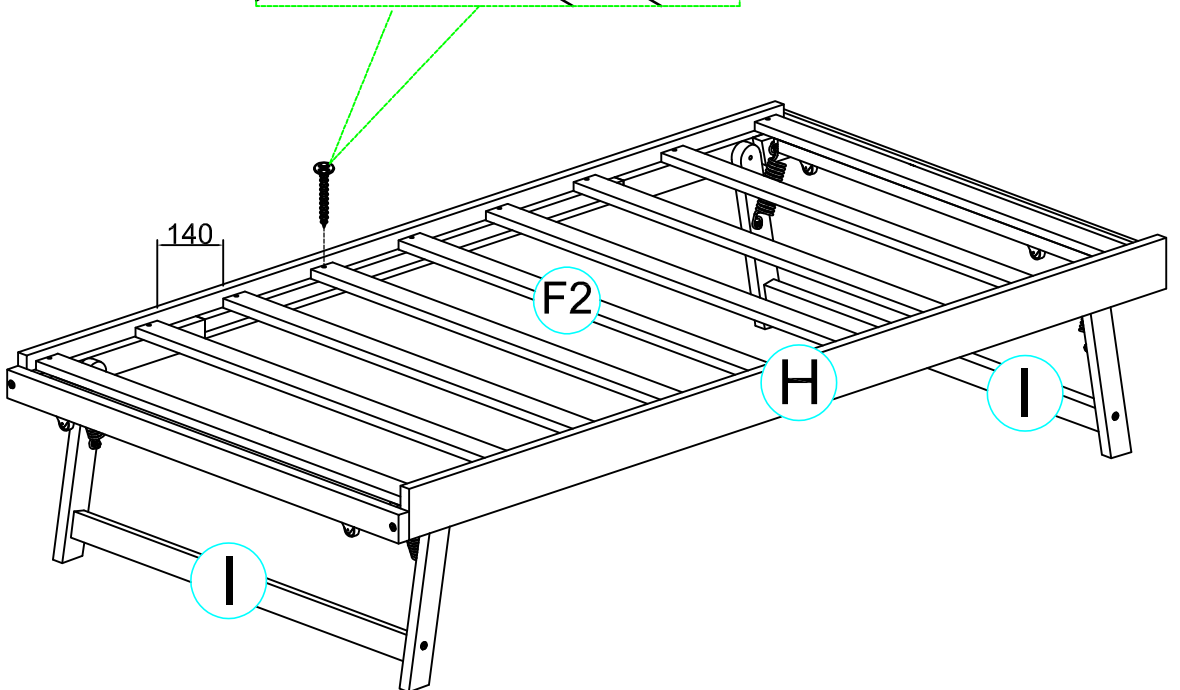
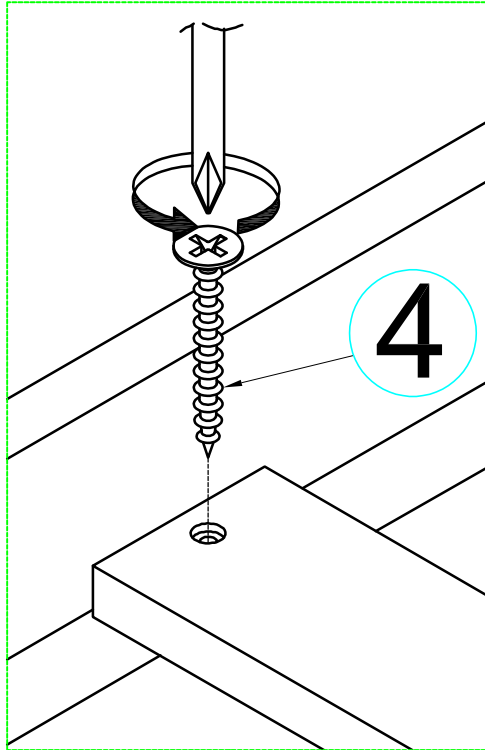


STEP 8: Following below illustration:

4



20pcs



FINISH

