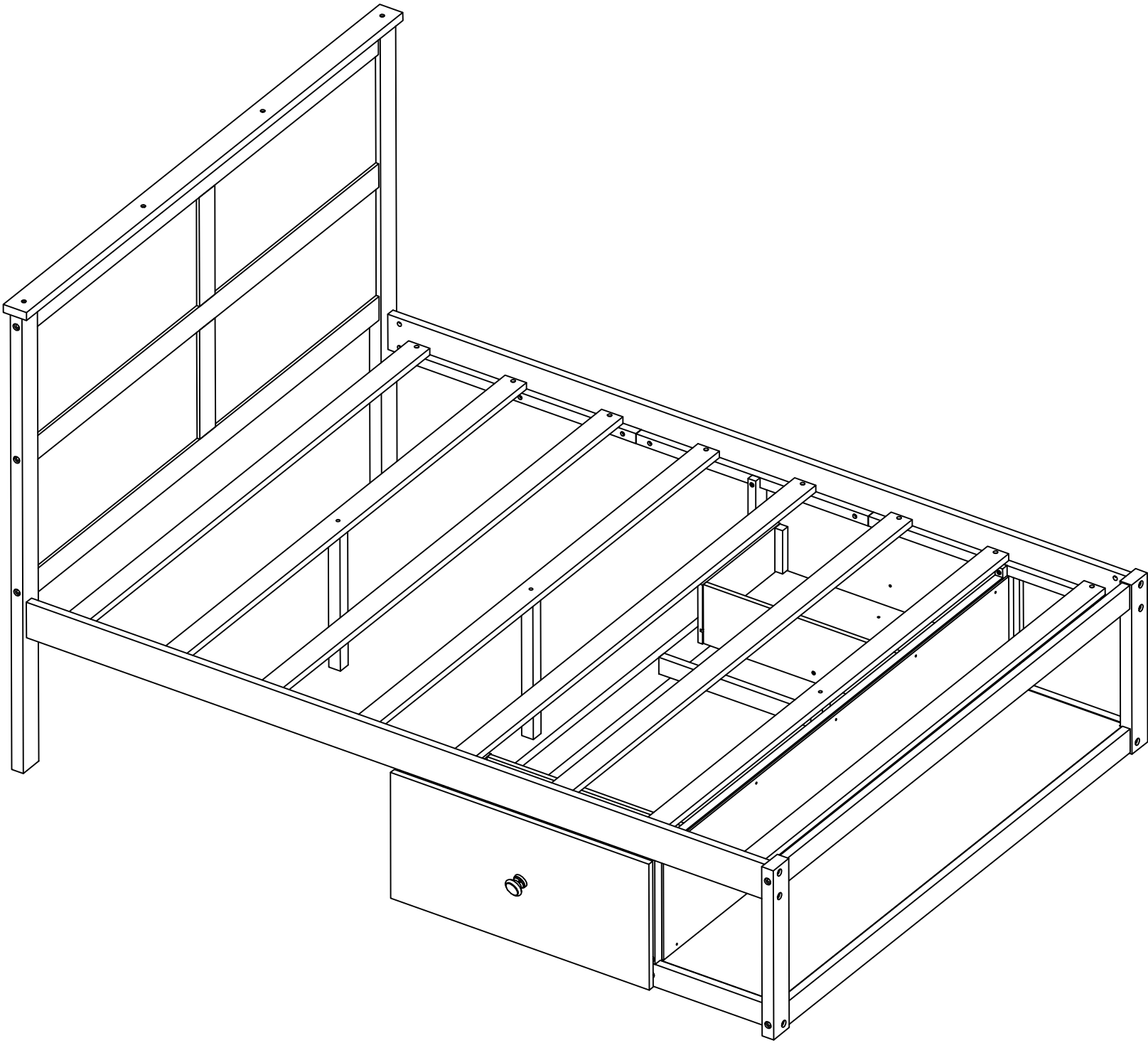
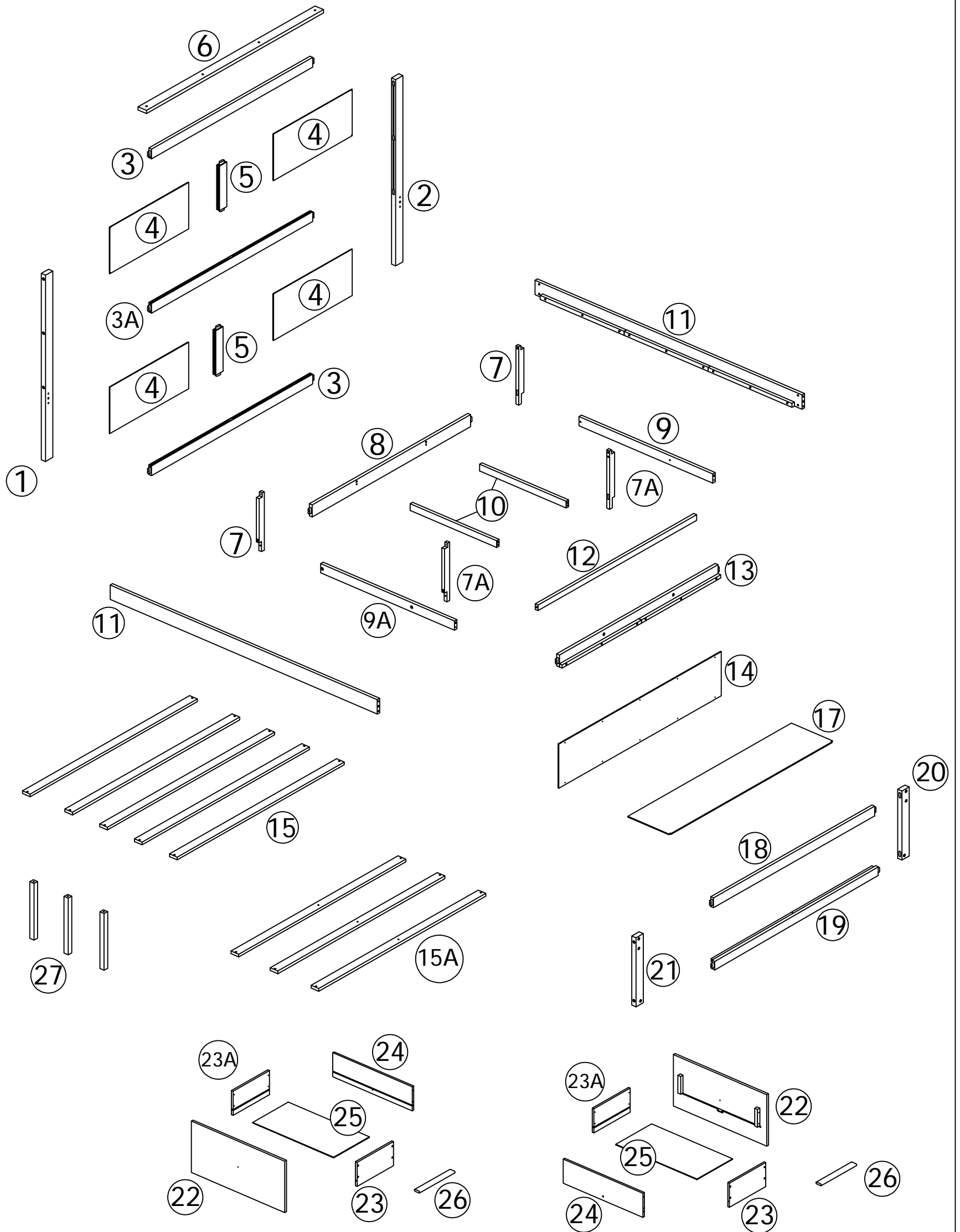


ASSEMBLY INSTRUCTIONS

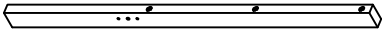
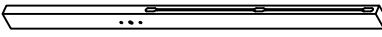


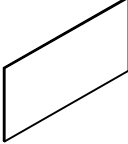

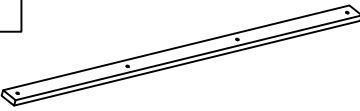
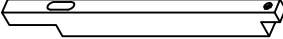
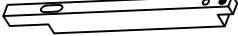
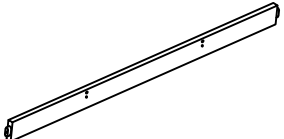
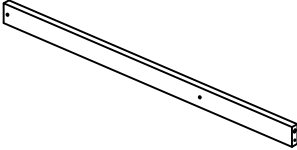
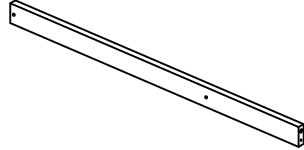
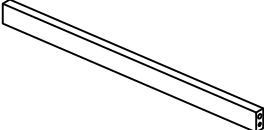



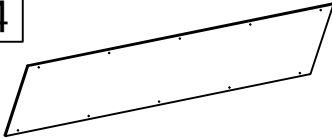
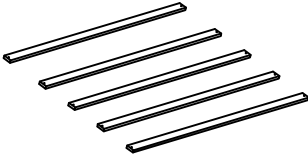
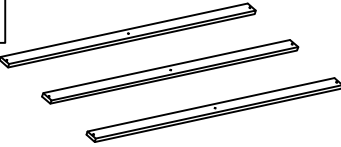
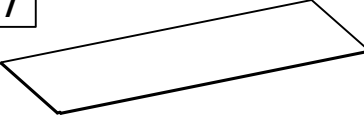
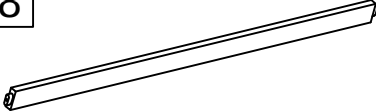
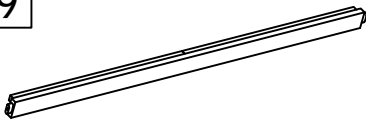
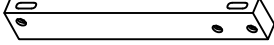
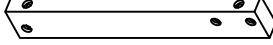
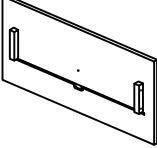
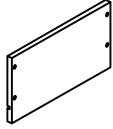
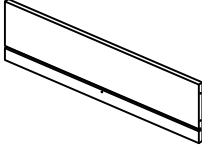
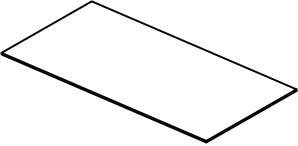
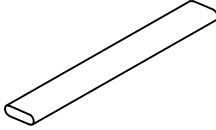
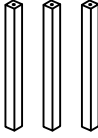
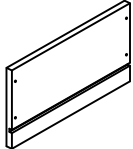


WF297174

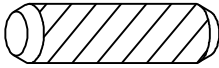
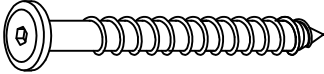
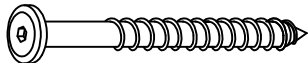




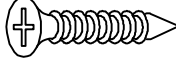



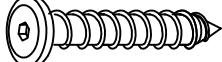
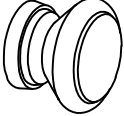
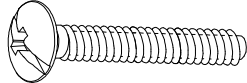
Detail View



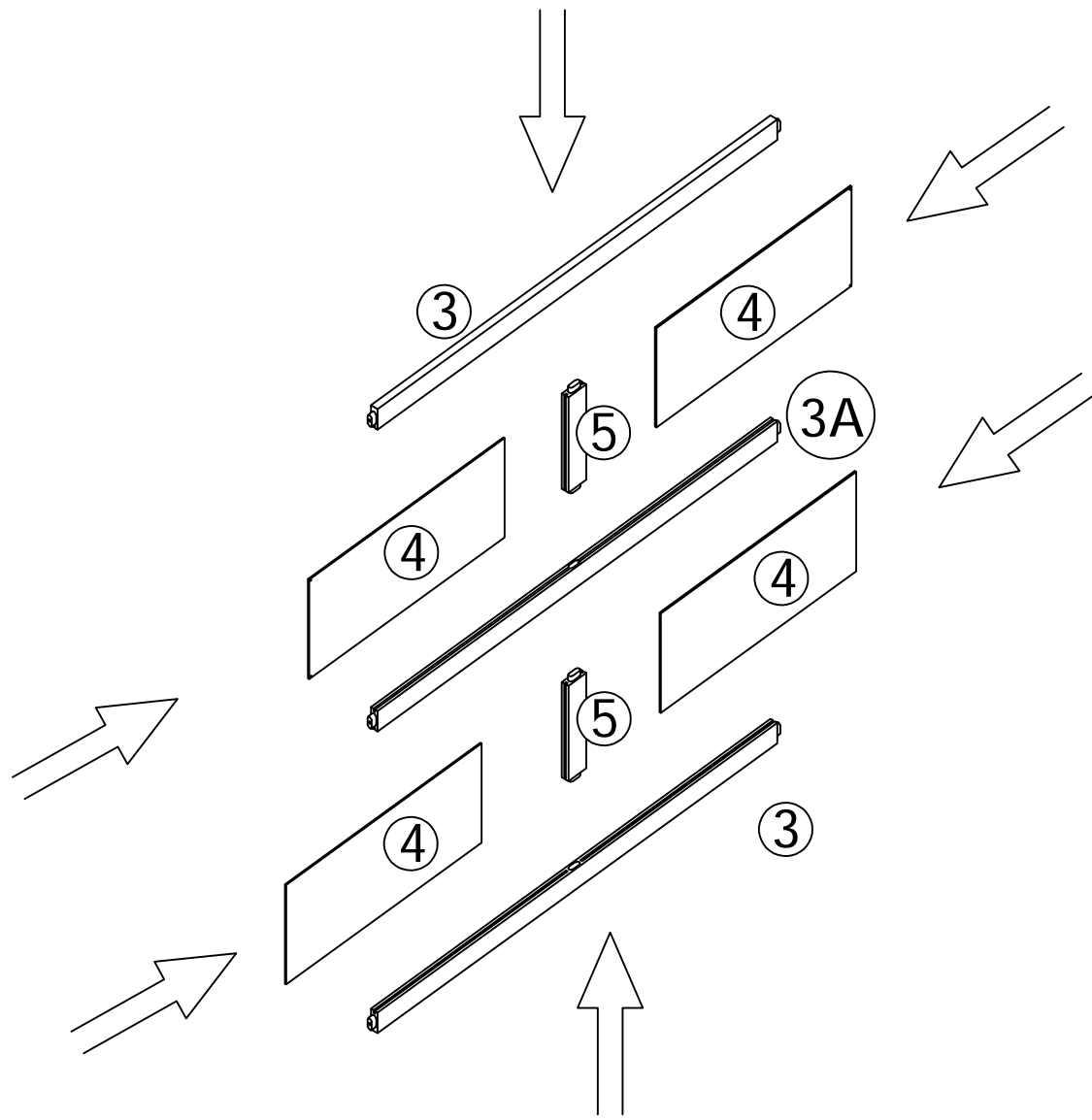
Part List : WF297174

1		2		3	
	Long legs (left) - 1pc		Long legs (right) - 1pc		Crossbar - 2pcs
3A		4		5	
	Mid crossbar - 1pc		Panel - 4pcs		Short quiz - 2pcs
6		7		7A	
	Upper beam - 1pc		Right Shoulder brace - 2pcs		Left Shoulder brace - 2pcs
8		9		9A	
	Crossbar - 1pc		Right Crossbar - 1pc		Left Crossbar - 1pc
10		11		12	
	Short crossbar - 2pcs		Bed shoulder - 2pcs		Crossbar - 1pc
13		14		15	
	Plank support beams - 1pc		Panel - 1pc		Slats - 5pcs
15A		17		18	
	3 hole slats - 3pcs		Panel - 1pc		Crossbar - 1pc
19		20		21	
	Plank support beams - 1pc		Short legs (right) - 1pc		Short legs (left) - 1pc
22		23		24	
	Drawer side - 2pcs		Drawstring right hip - 2pcs		Back drawer - 2pcs
25		26		27	
	Bottom of drawer - 2pcs		Bottom support - 2pcs		Extra leg - 3pcs
23A					
	Drawstring left hip - 2pcs				

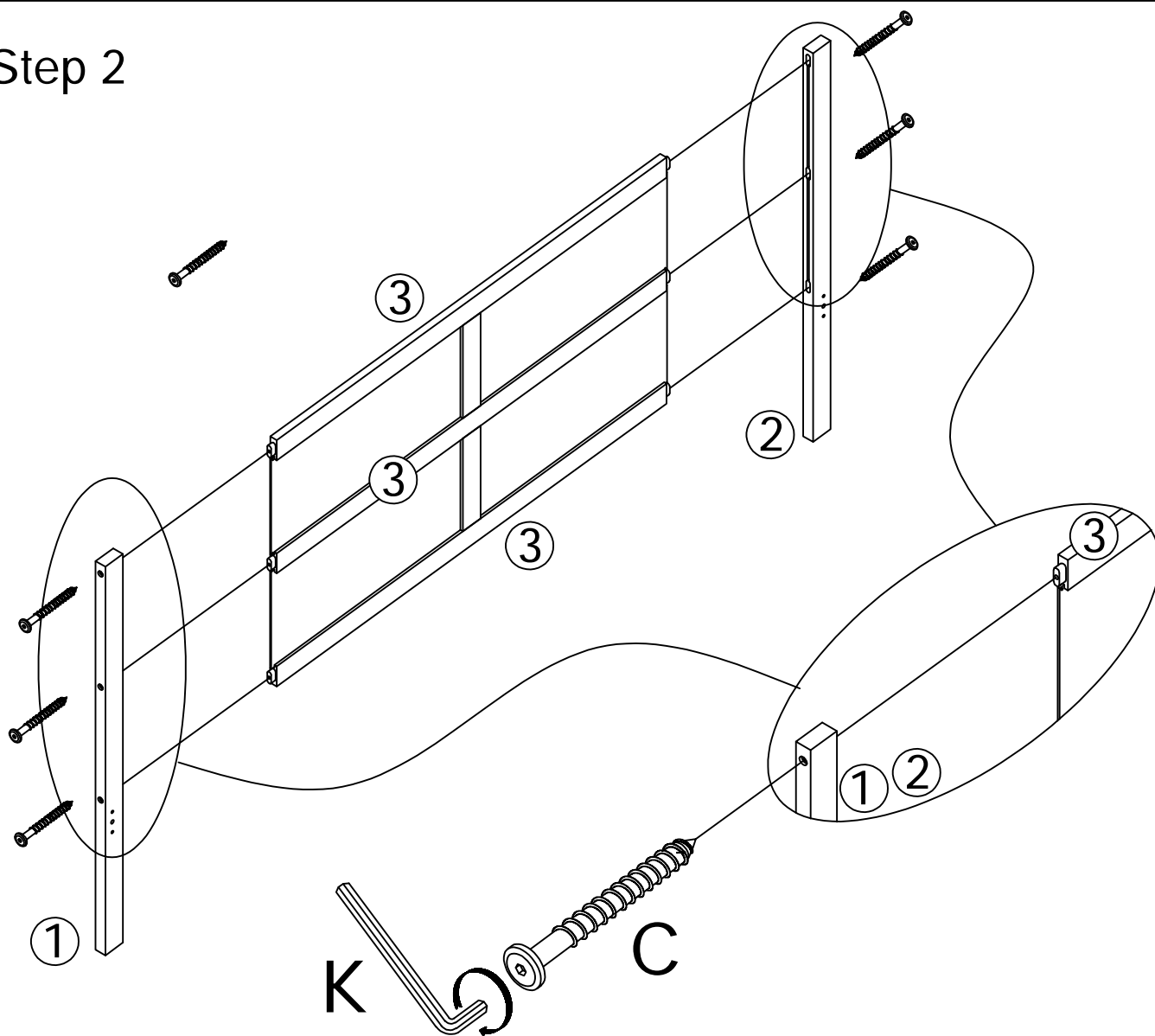
Hardware List : WF297174

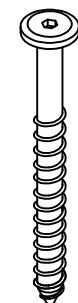
<p>A</p>  <p>Ø10*40mm</p> <p>Wood dowel (12pcs)</p>	<p>B</p>  <p>Ø6*60mm</p> <p>Hex-Head screw (6pcs)</p>	<p>C</p>  <p>Ø6*80mm</p> <p>Hex-Head screw (10pcs)</p>
<p>D</p>  <p>Ø1/4"*80mm</p> <p>Hex-Head bolt (8pcs)</p>	<p>E</p>  <p>Ø1/4"*9.5*12mm</p> <p>Horizontal-Hole bolt (8pcs)</p>	<p>F</p>  <p>#4*30mm</p> <p>Screw (38pcs)</p>
<p>K</p>  <p>K4mm</p> <p>Allen key (1pc)</p>	<p>H</p>  <p>#3.5*15mm</p> <p>Screw (17pcs)</p>	<p>J</p>  <p>Ø1/4"*30mm</p> <p>Hex-Head bolt (3pcs)</p>
<p>M</p>  <p>Ø6*40mm</p> <p>Hex-Head screw (4pcs)</p>	<p>I</p>  <p>#4*40mm</p> <p>Screw (4pcs)</p>	<p>N</p>  <p>Ø6*30mm</p> <p>Hex-Head screw (4pcs)</p>
<p>L</p>  <p>Wood Handle Ø30 mm -2pcs</p>	<p>T</p>  <p>Philip-Head bolt Ø5/32" x 25mm(2pcs)</p>	

Step 1

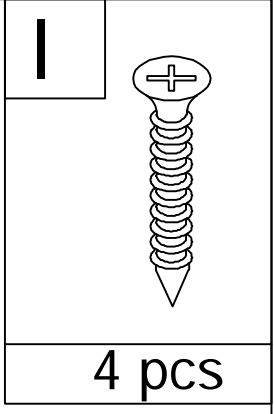
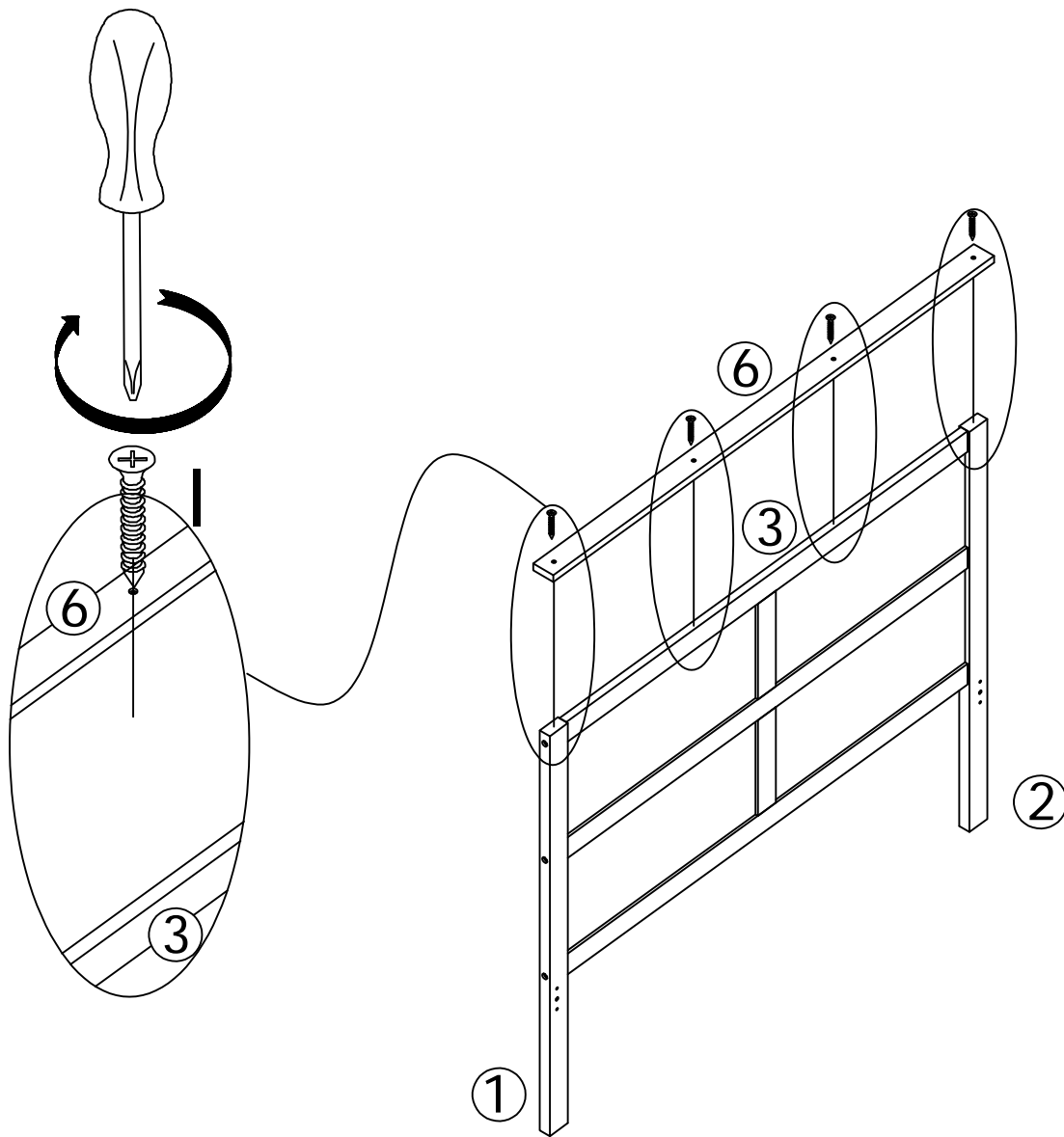


Step 2

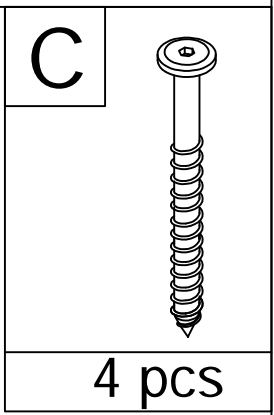
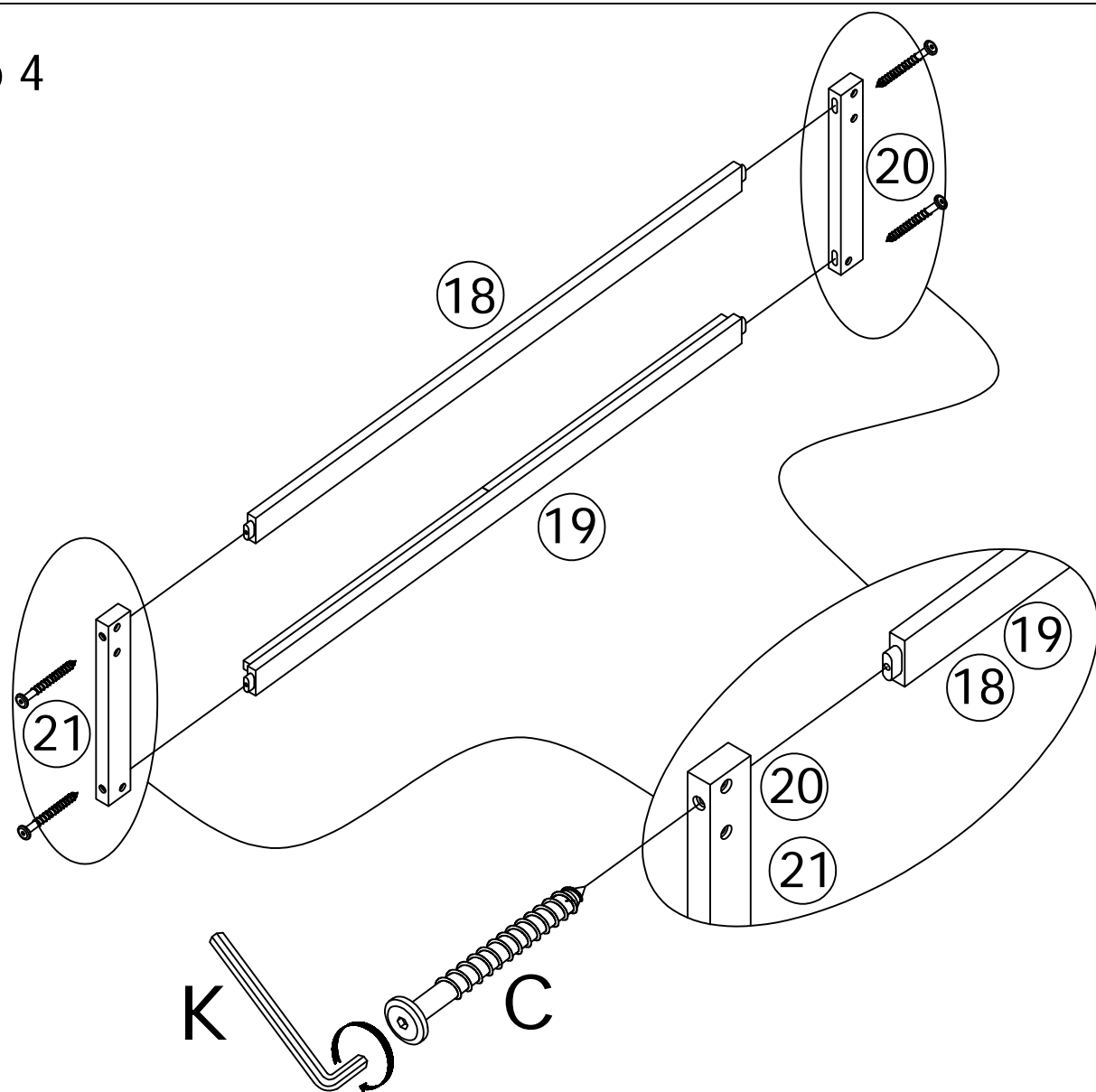


C	
6 pcs	

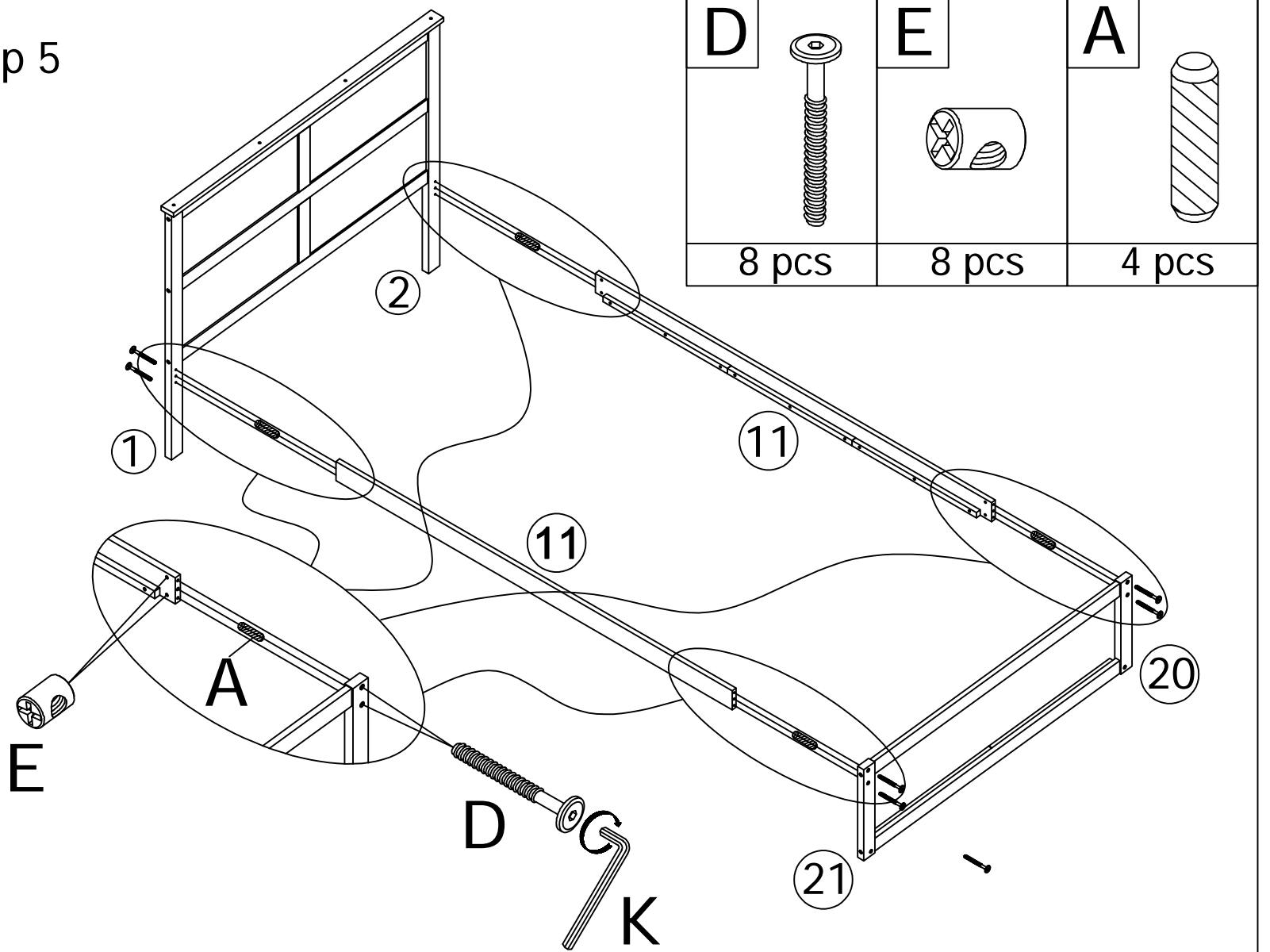
Step 3



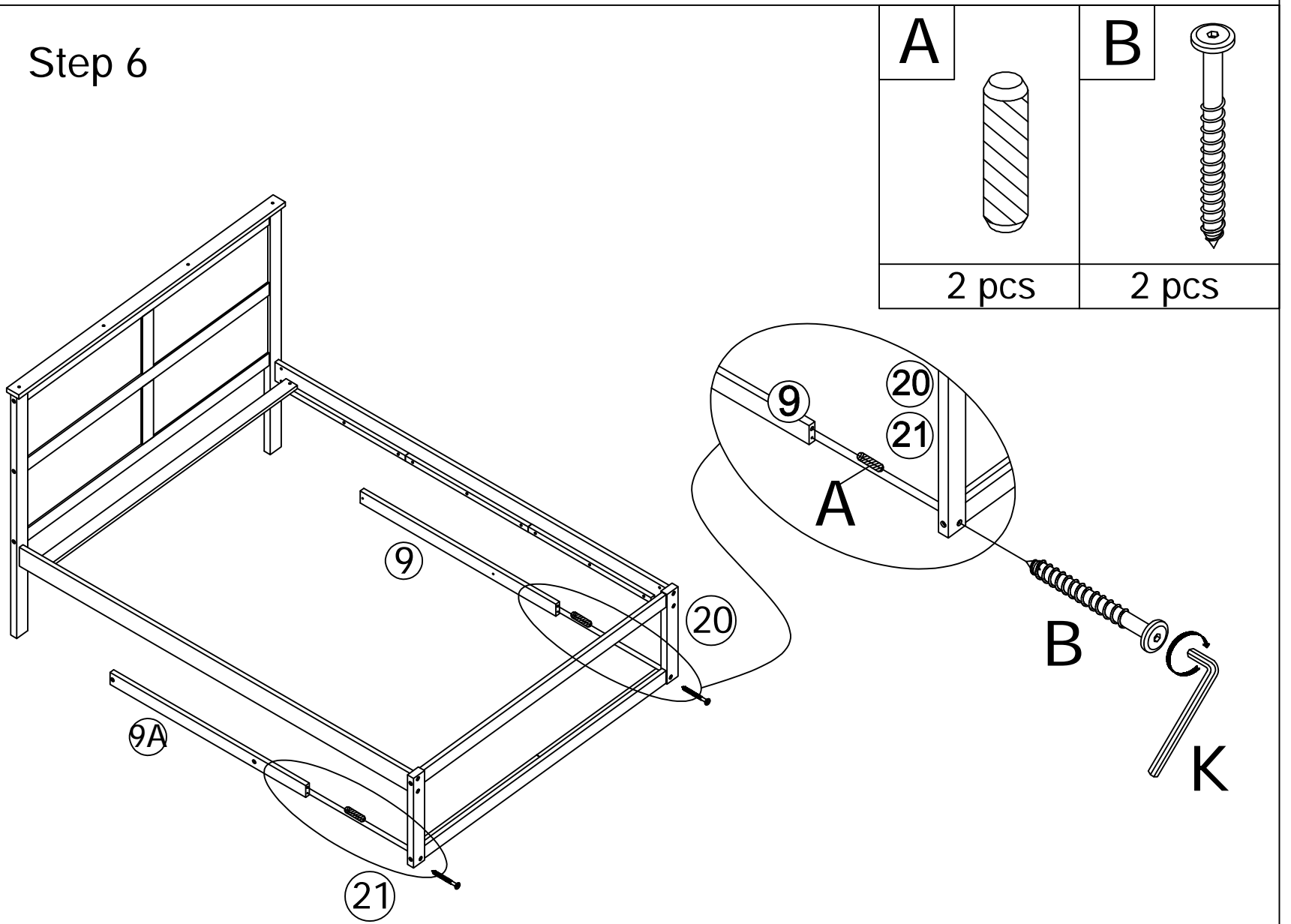
Step 4



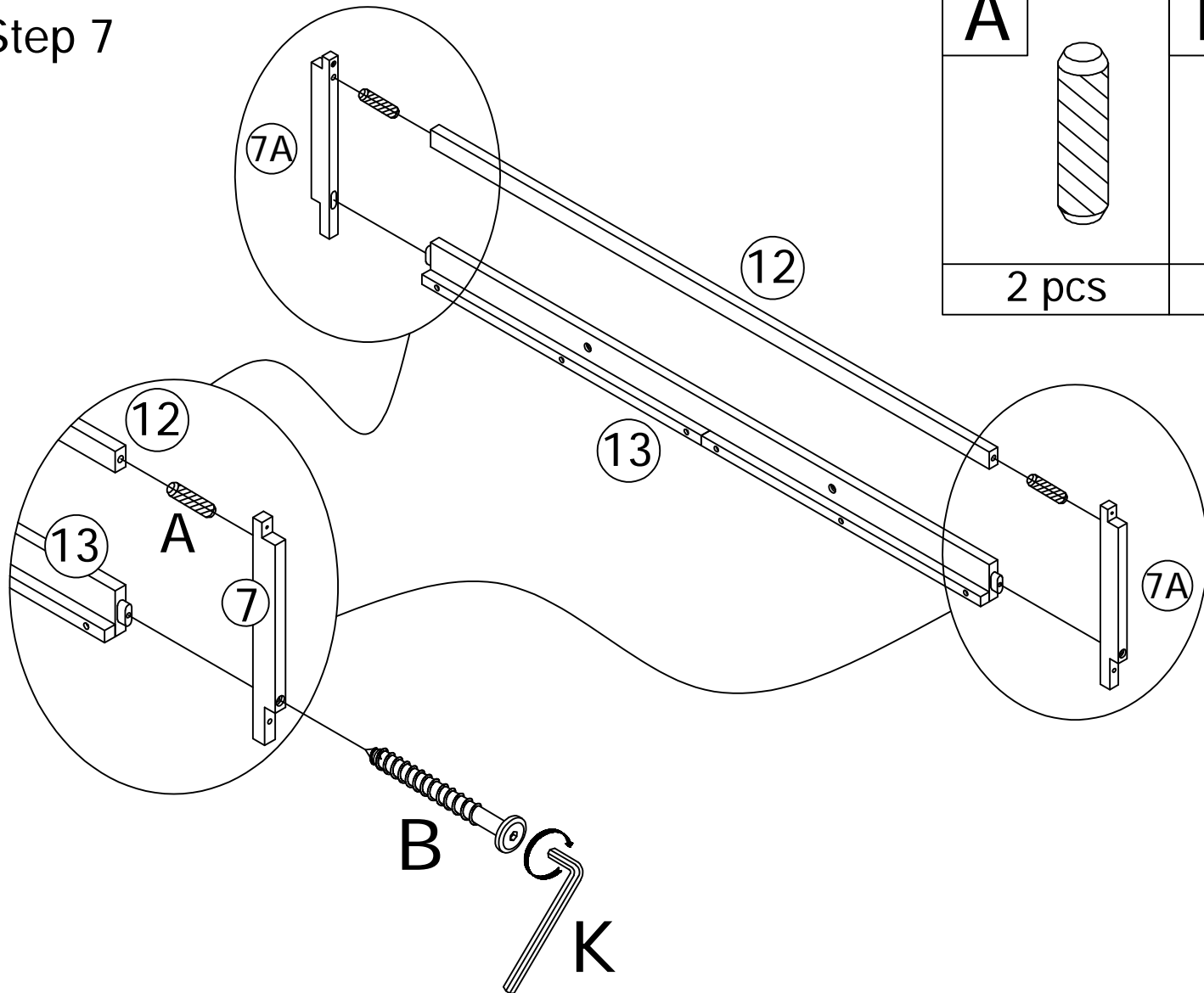
Step 5



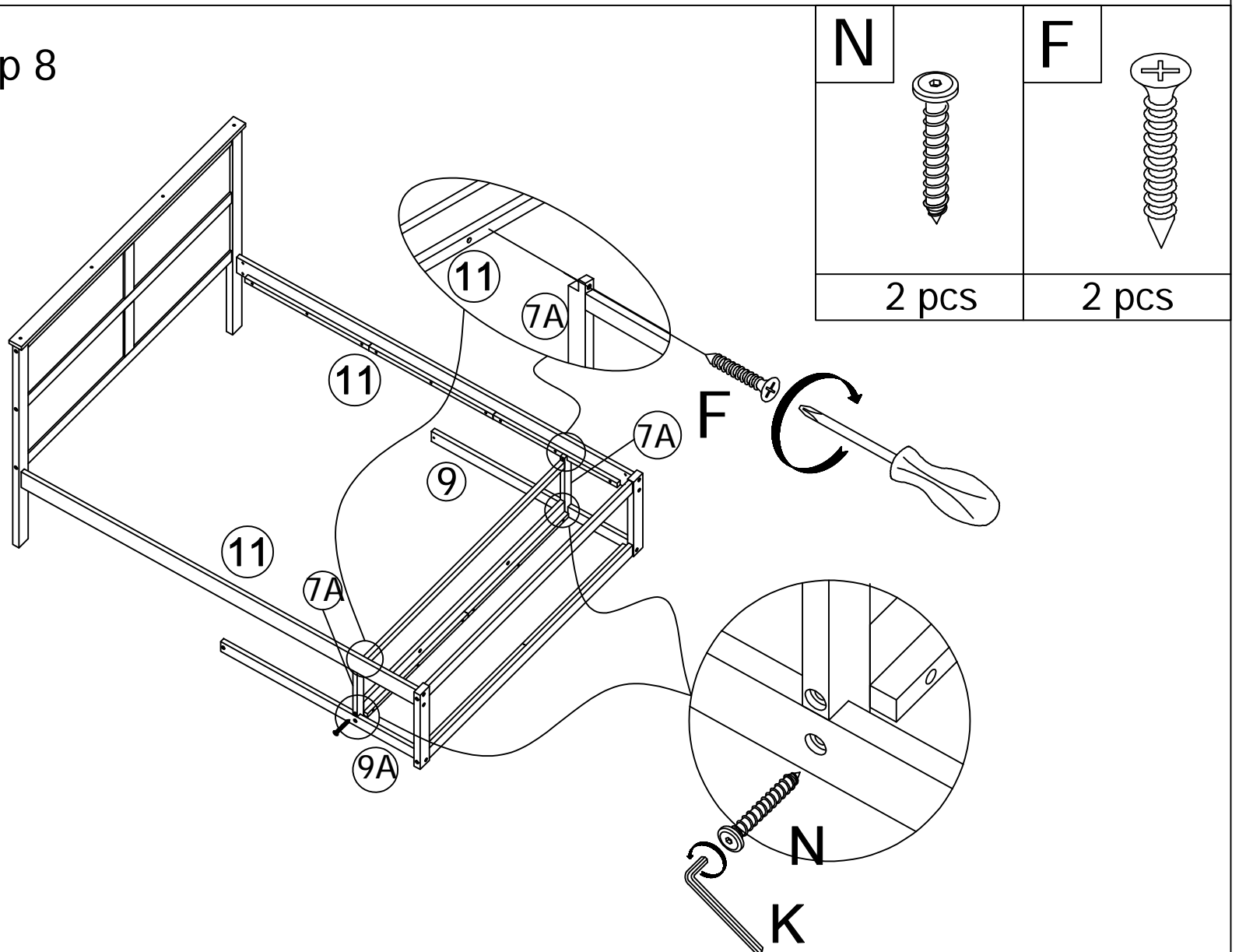
Step 6



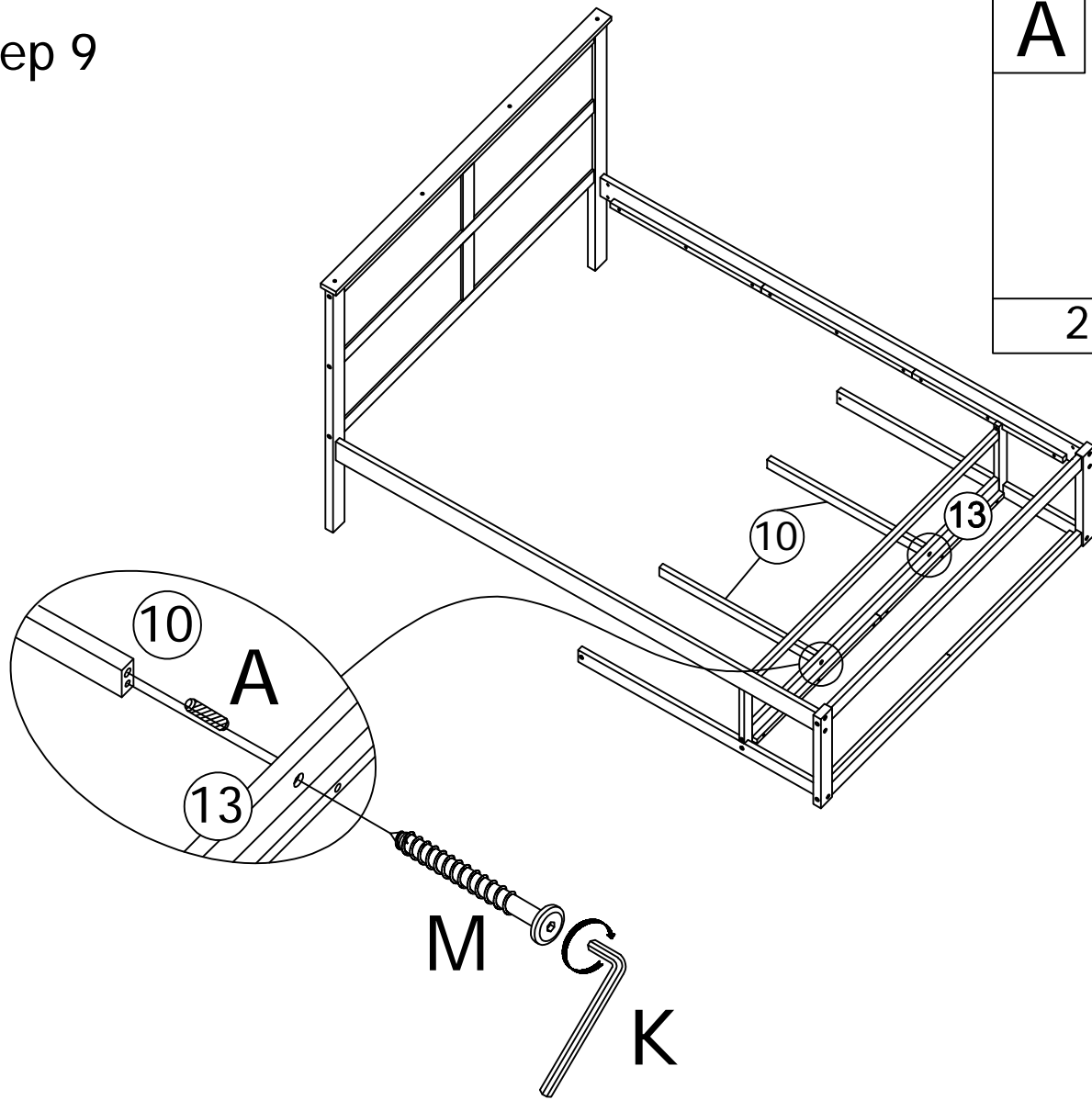
Step 7

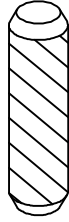
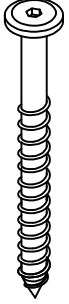


Step 8

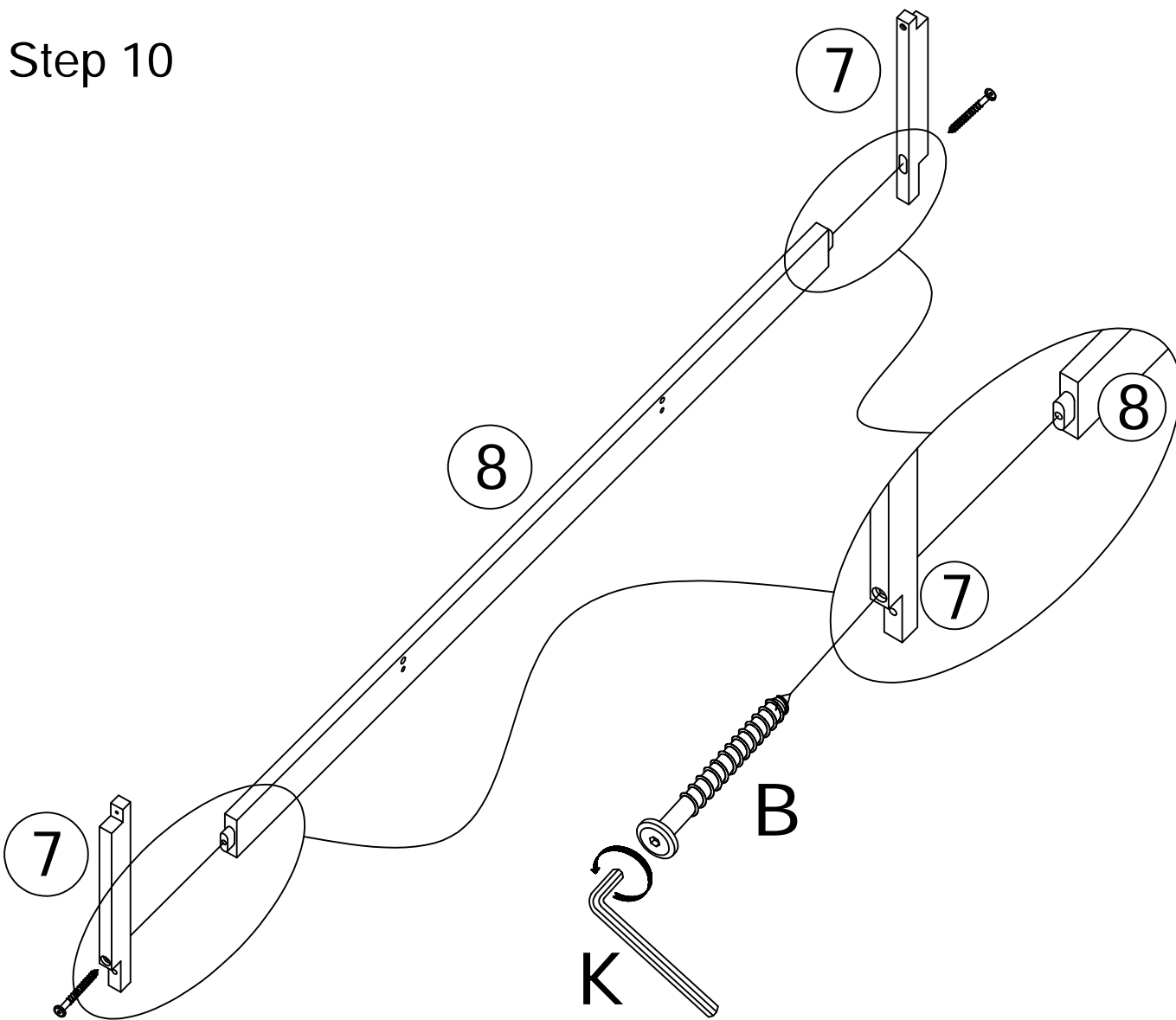


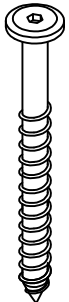
Step 9



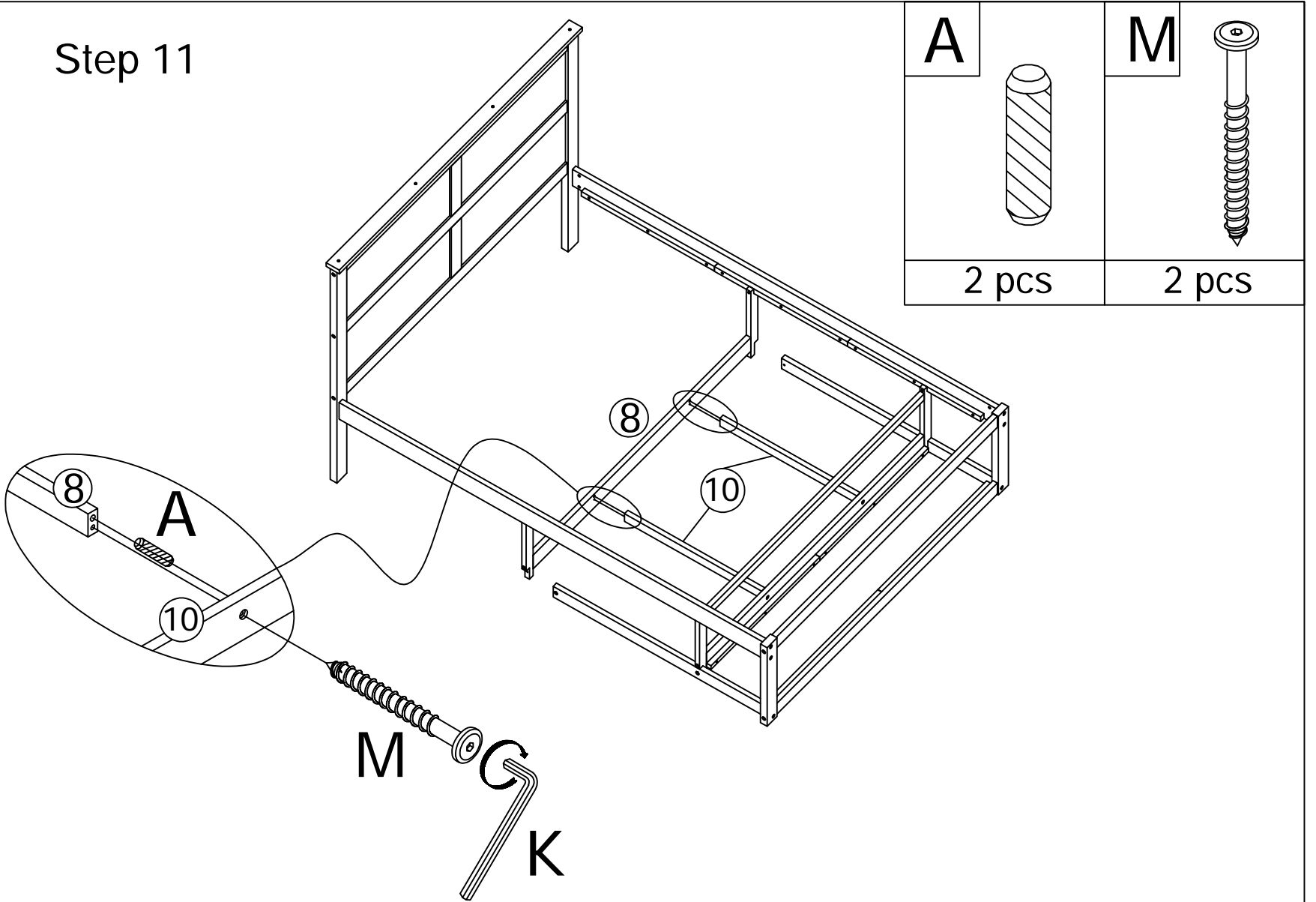
A		M	
2 pcs		2 pcs	

Step 10

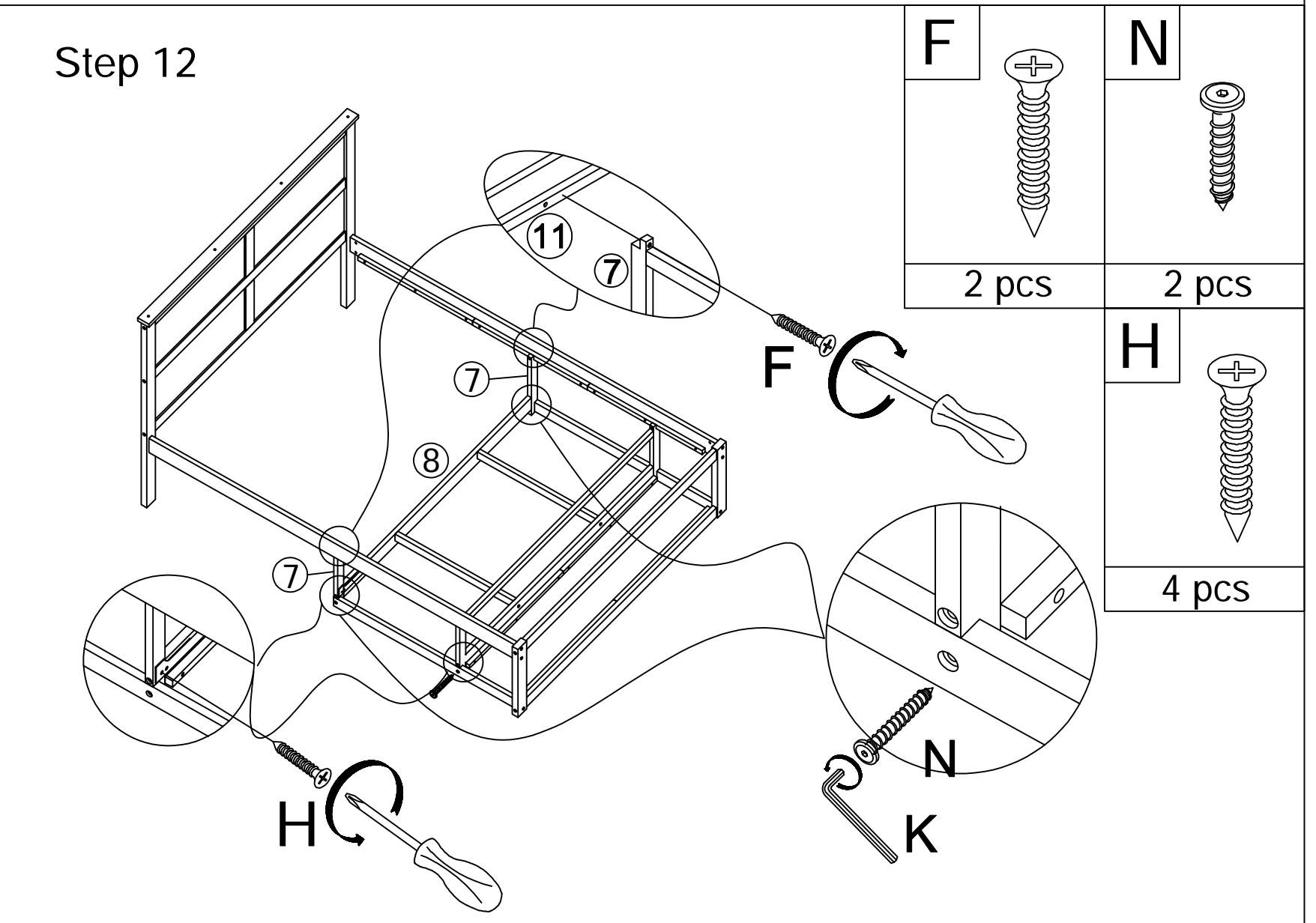


B	
2 pcs	

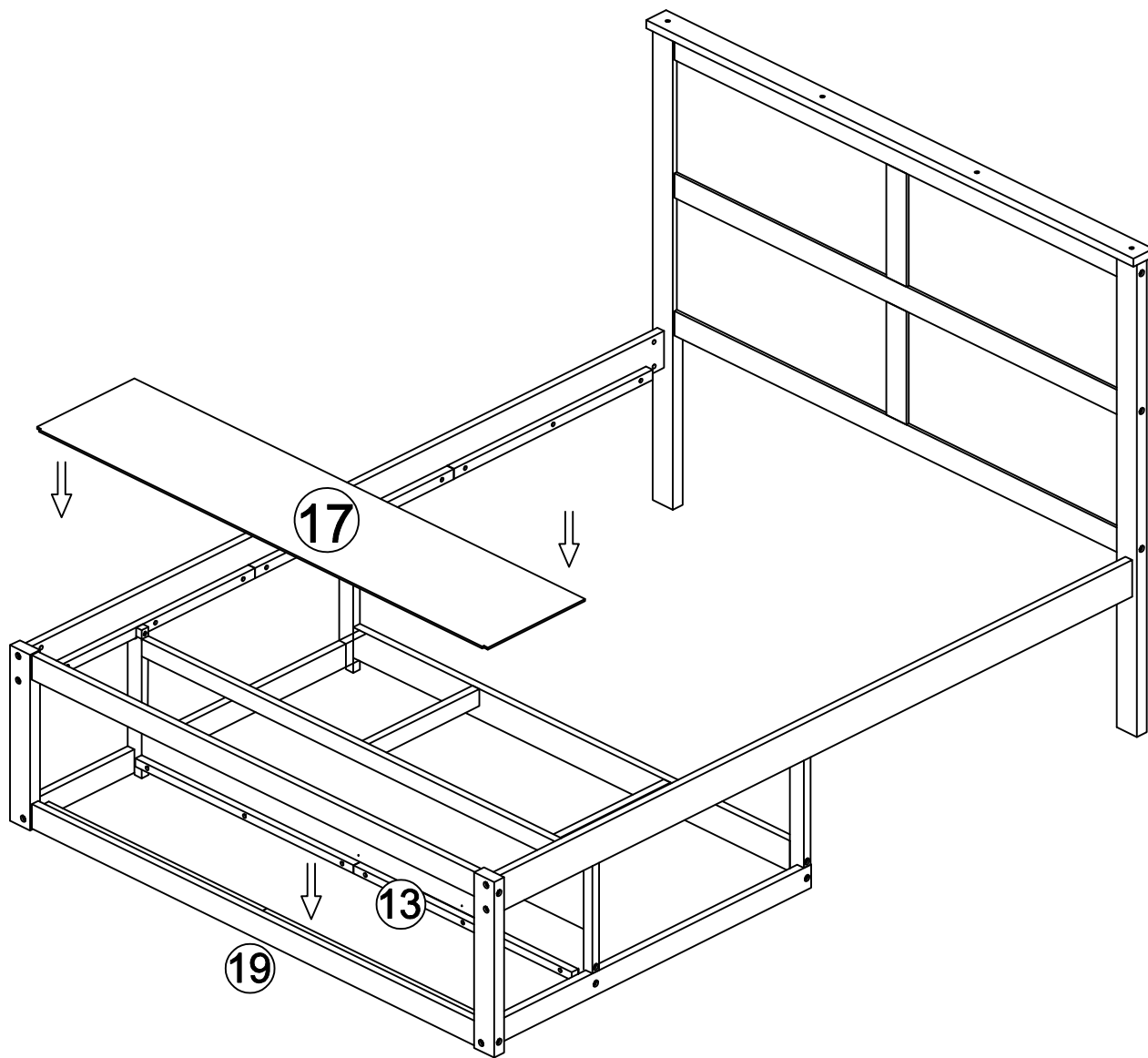
Step 11



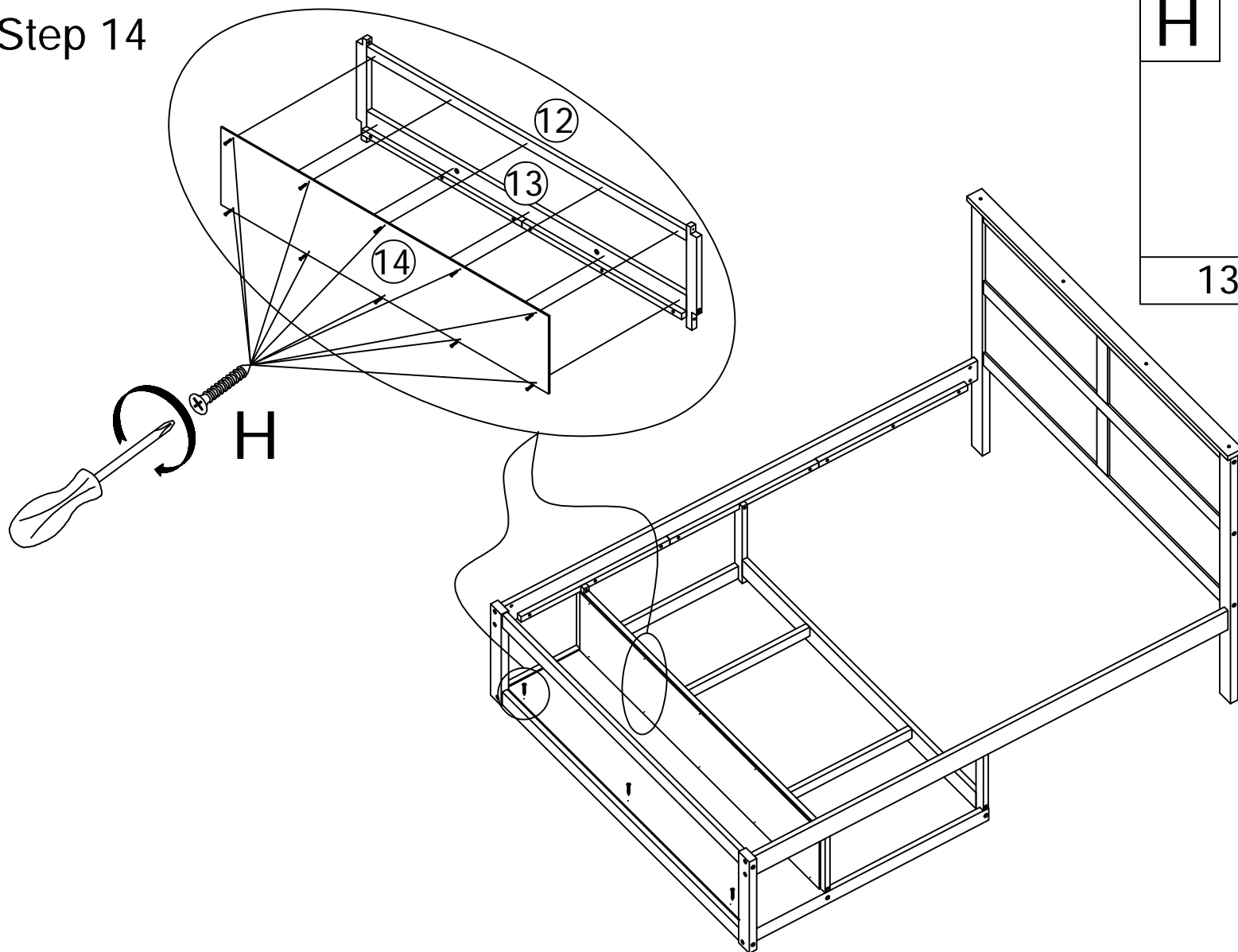
Step 12

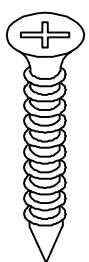


Step 13

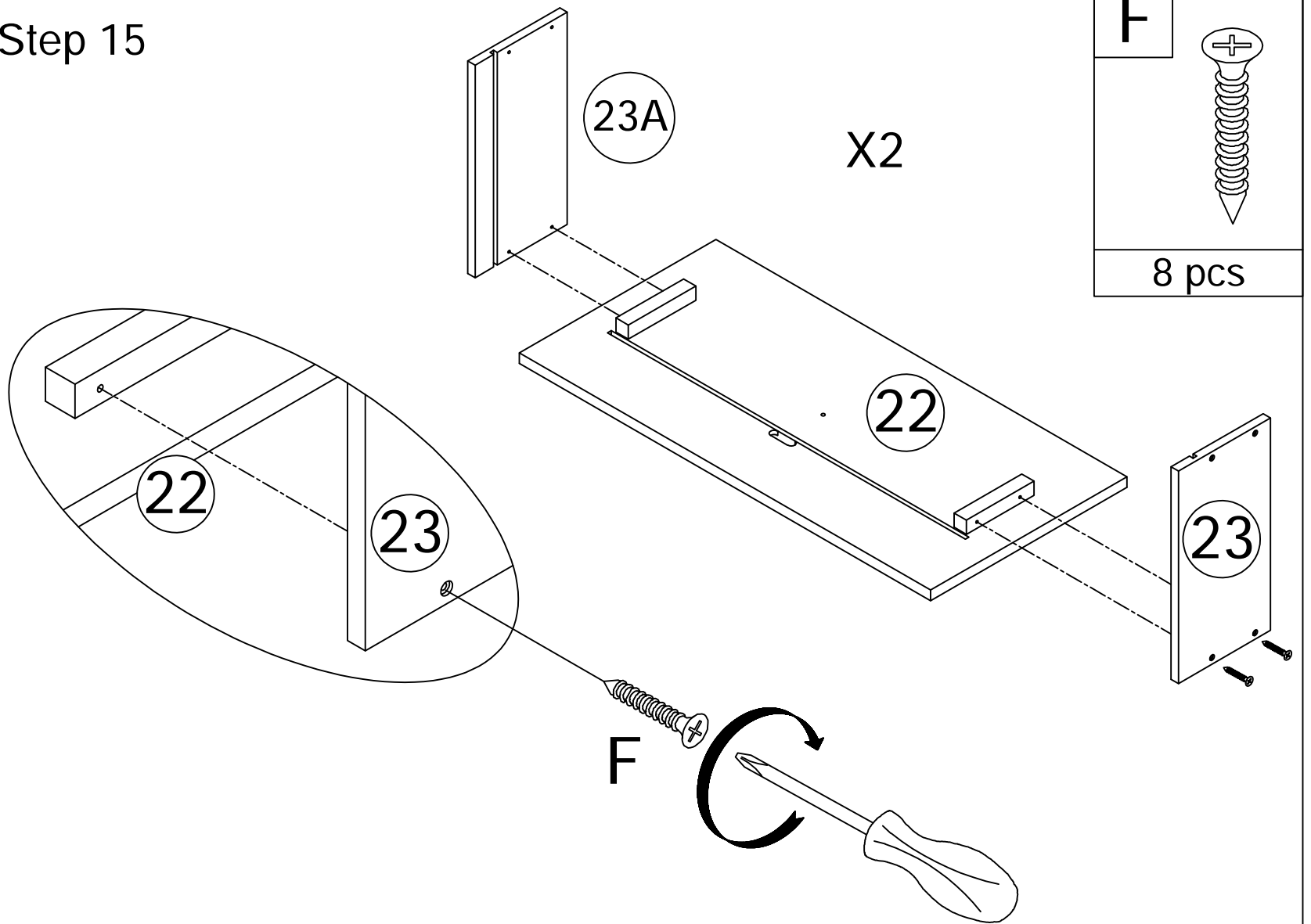


Step 14

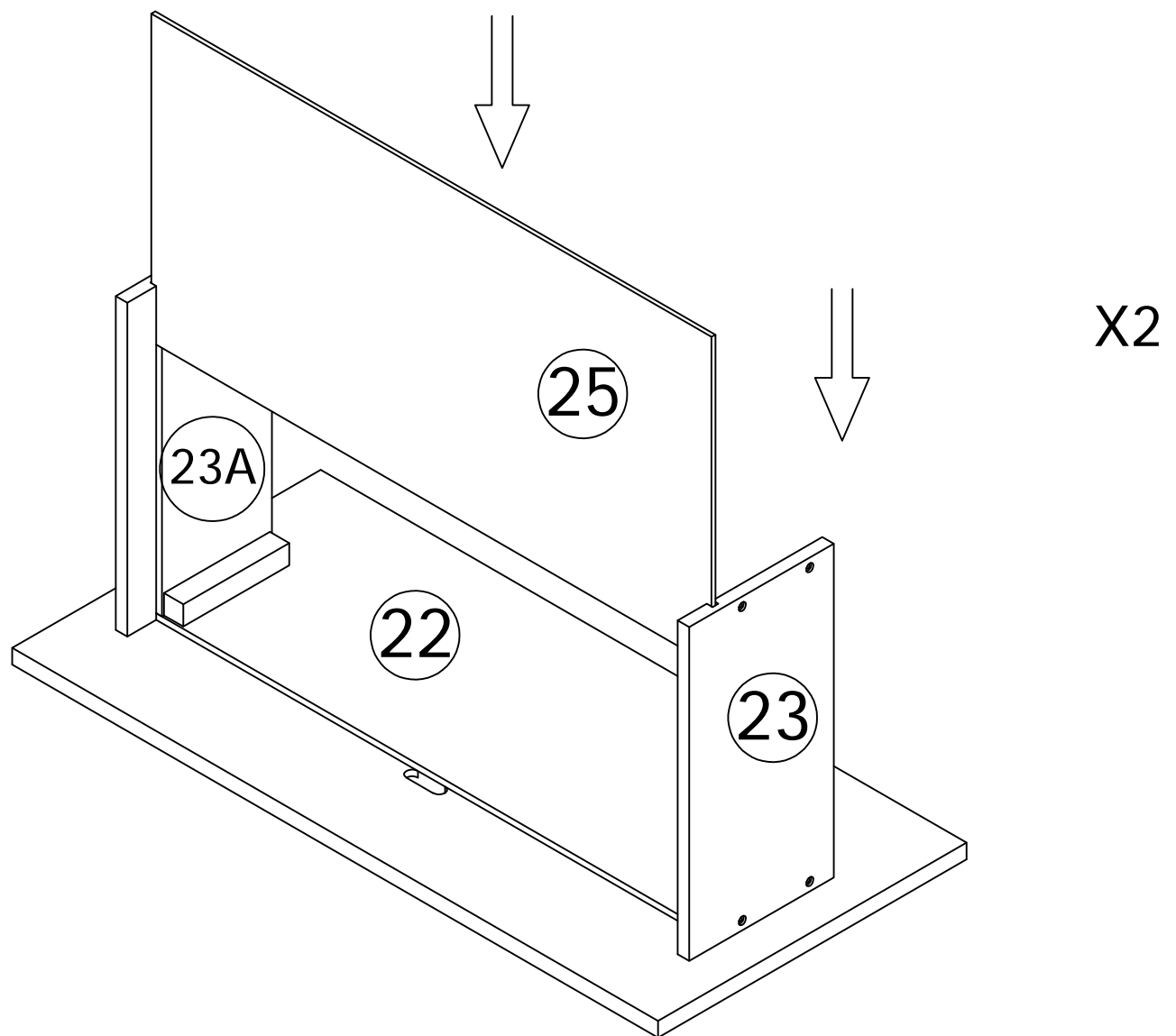


H	
13 pcs	

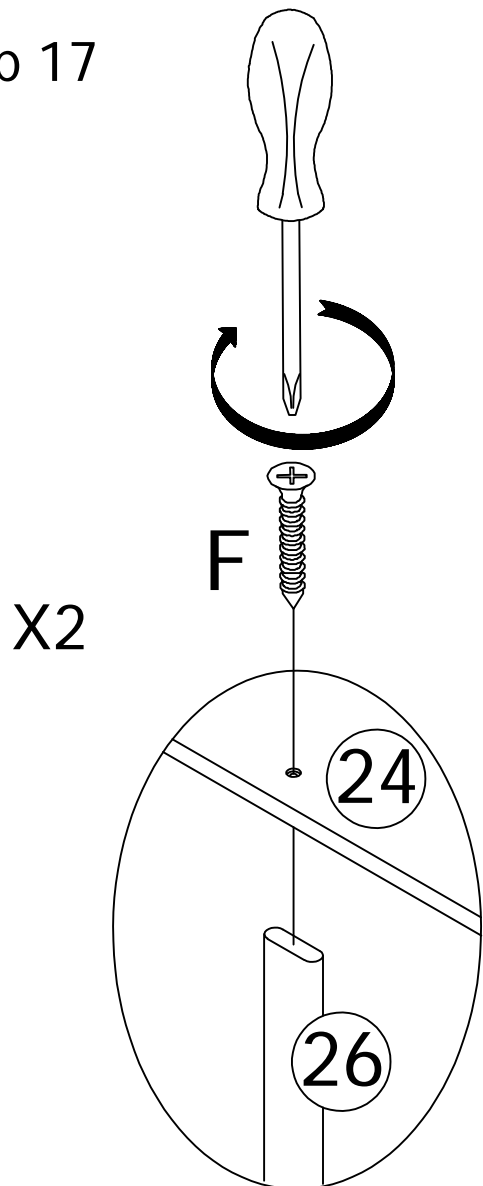
Step 15



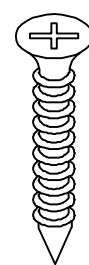
Step 16



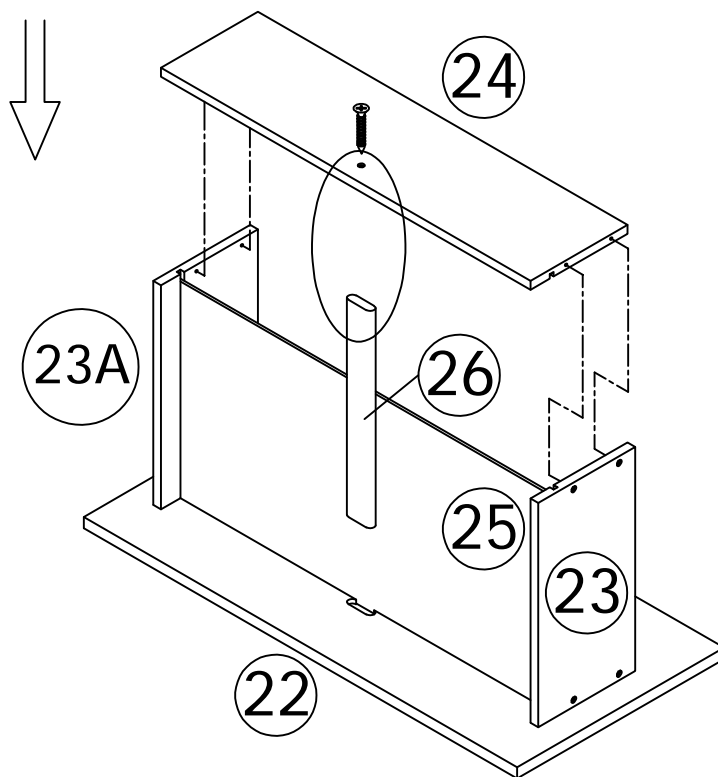
Step 17



F

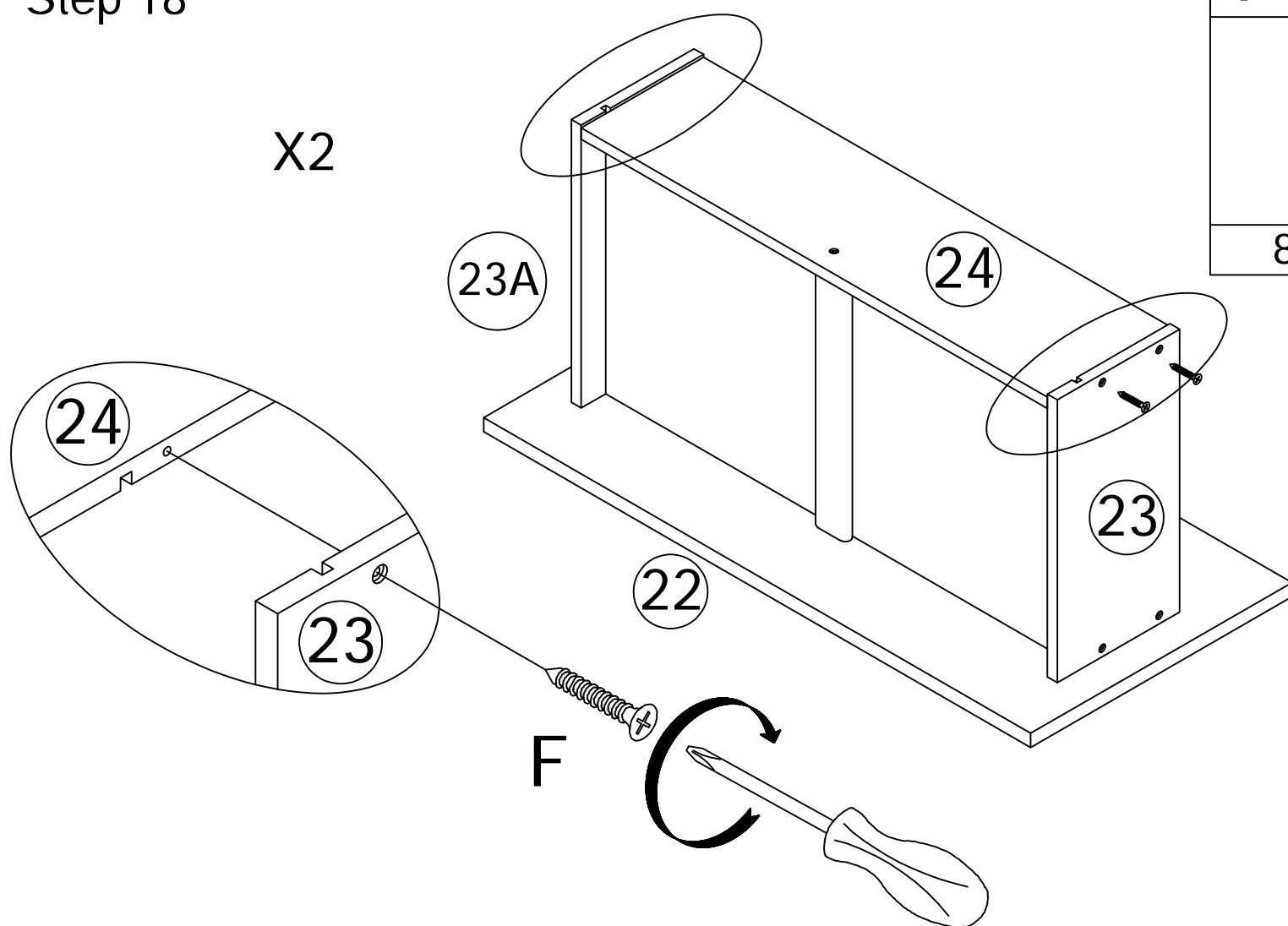


2 pcs

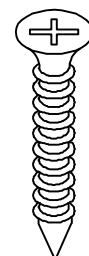


Step 18

X2

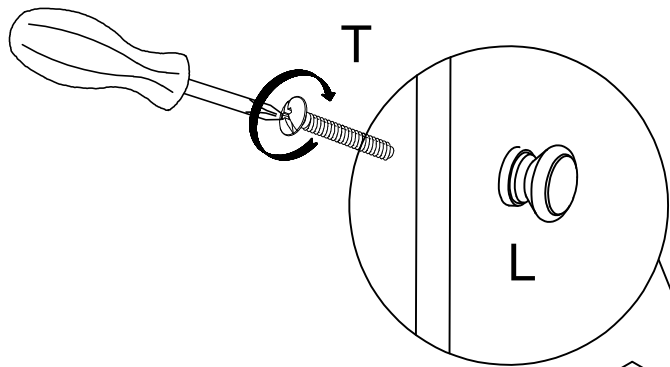


F



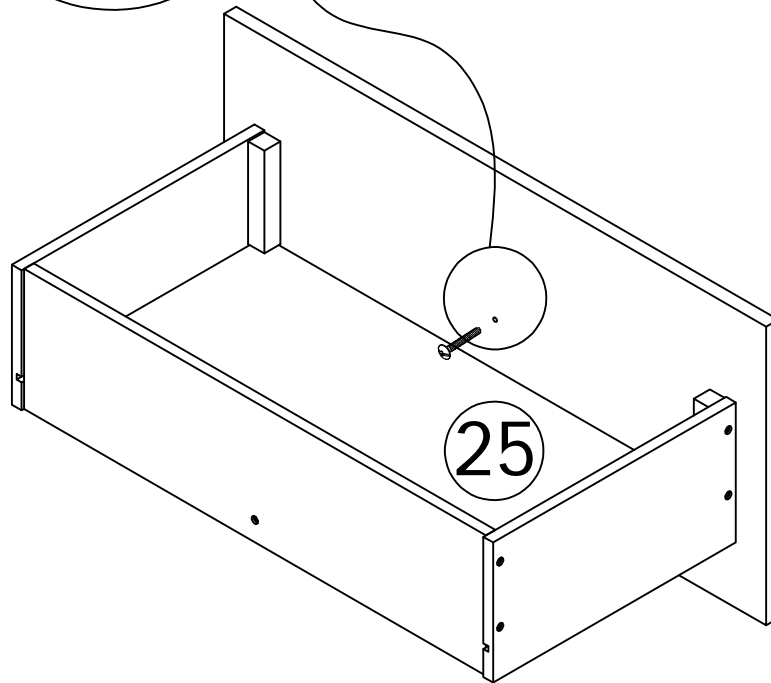
8 pcs

Step 19

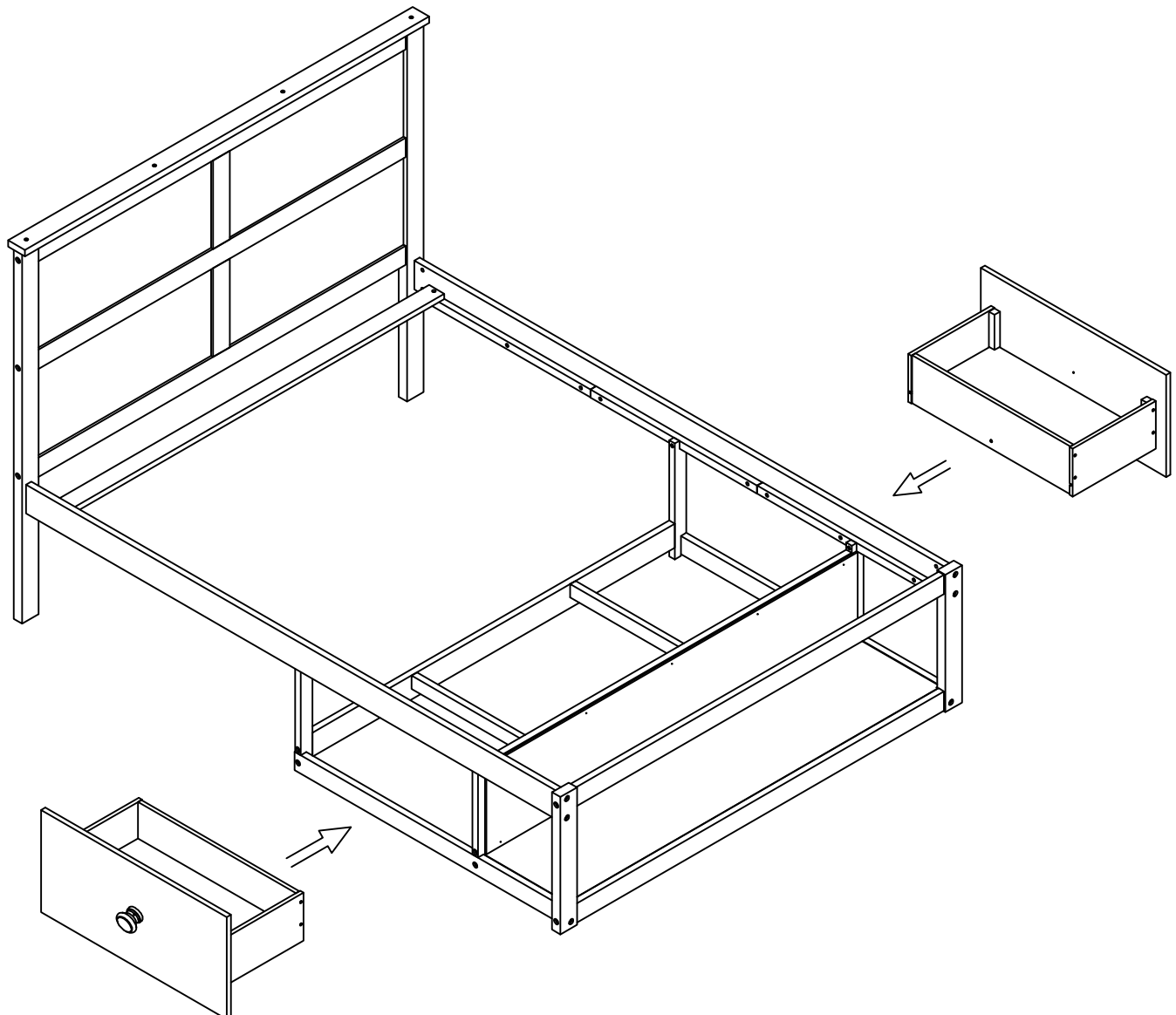


L	T
2 pcs	2 pcs

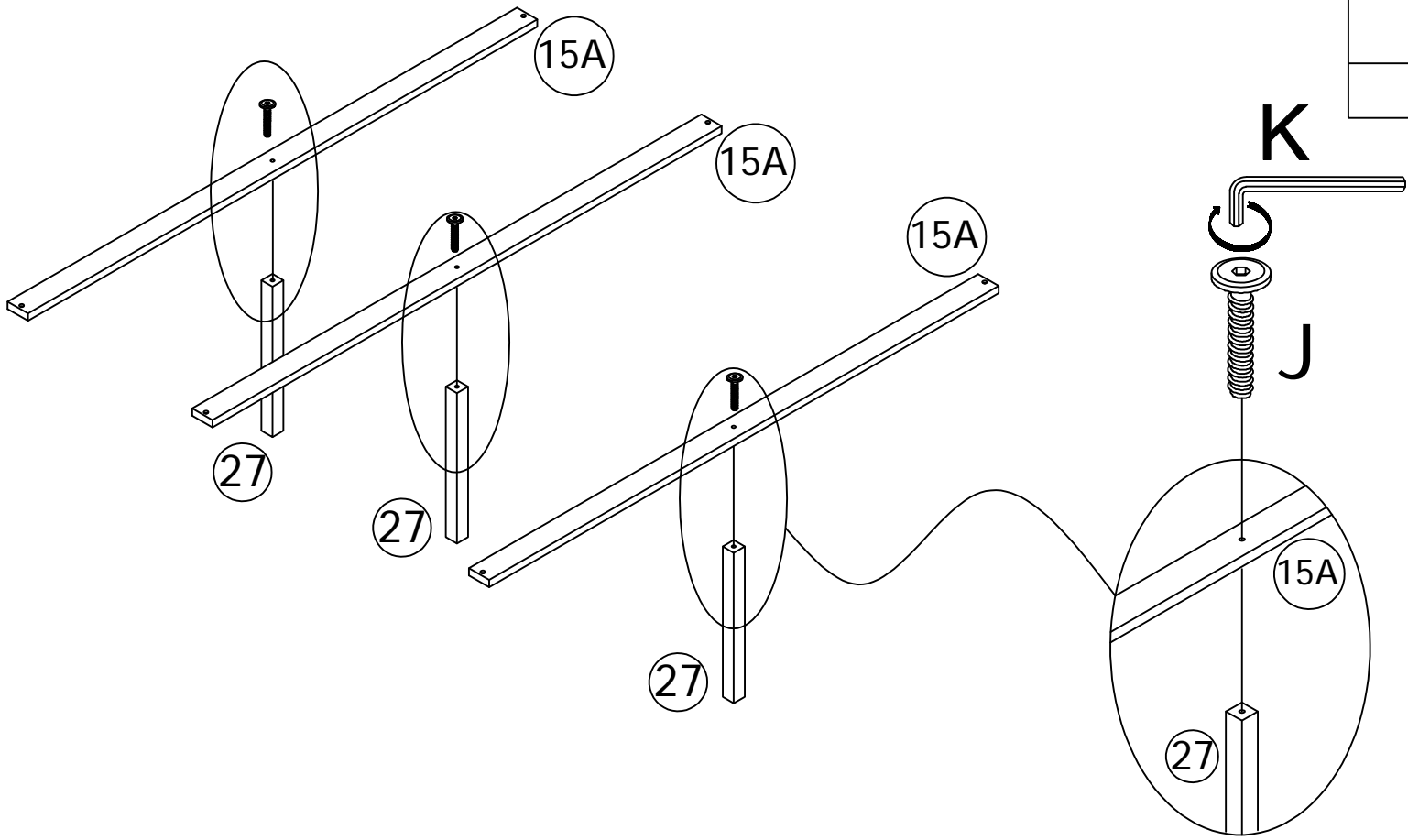
X2

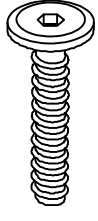


Step 20

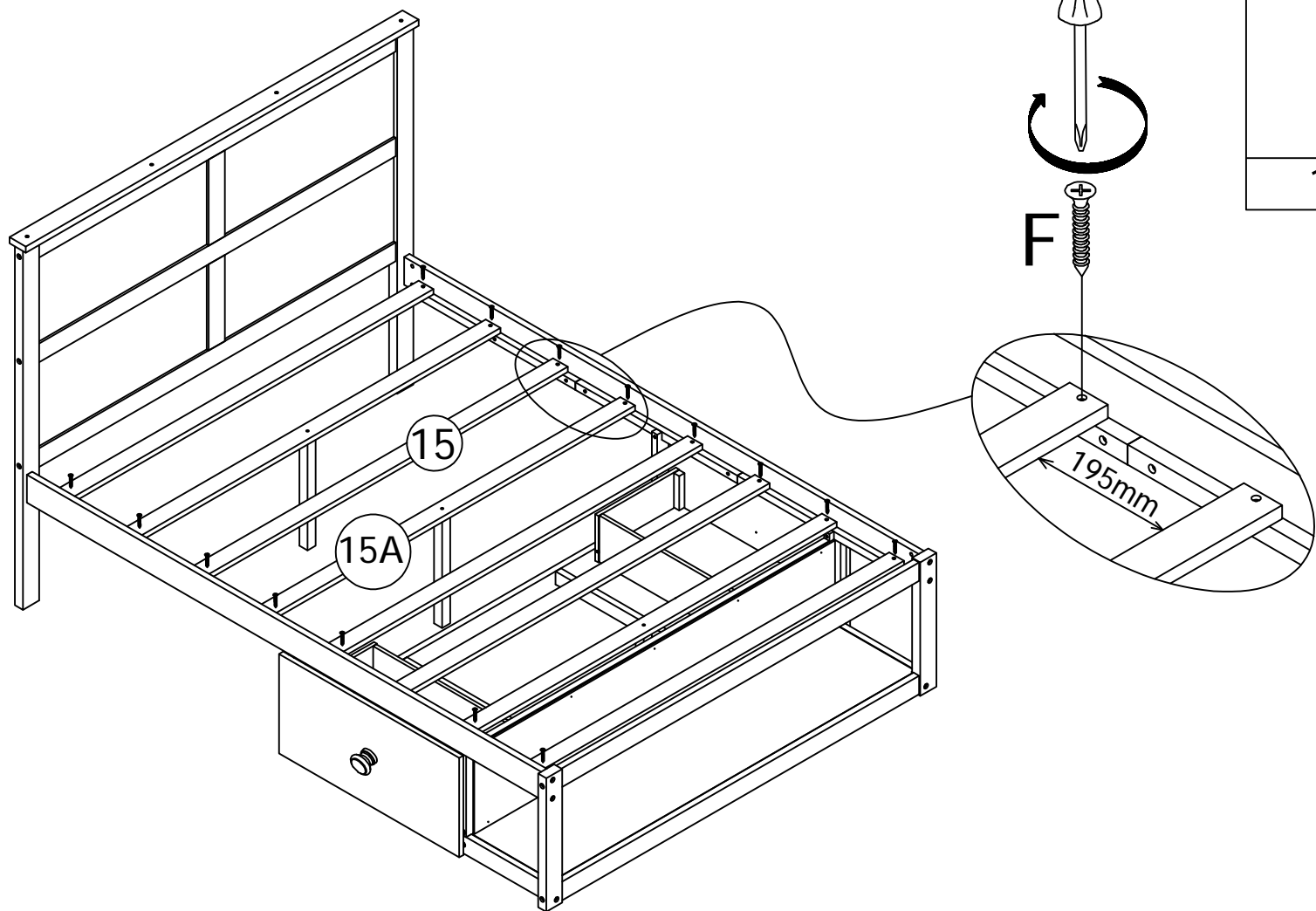


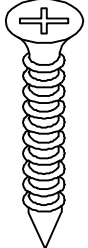
Step 21



J

3 pcs

Step 22



F

16 pcs

COMPLETED

