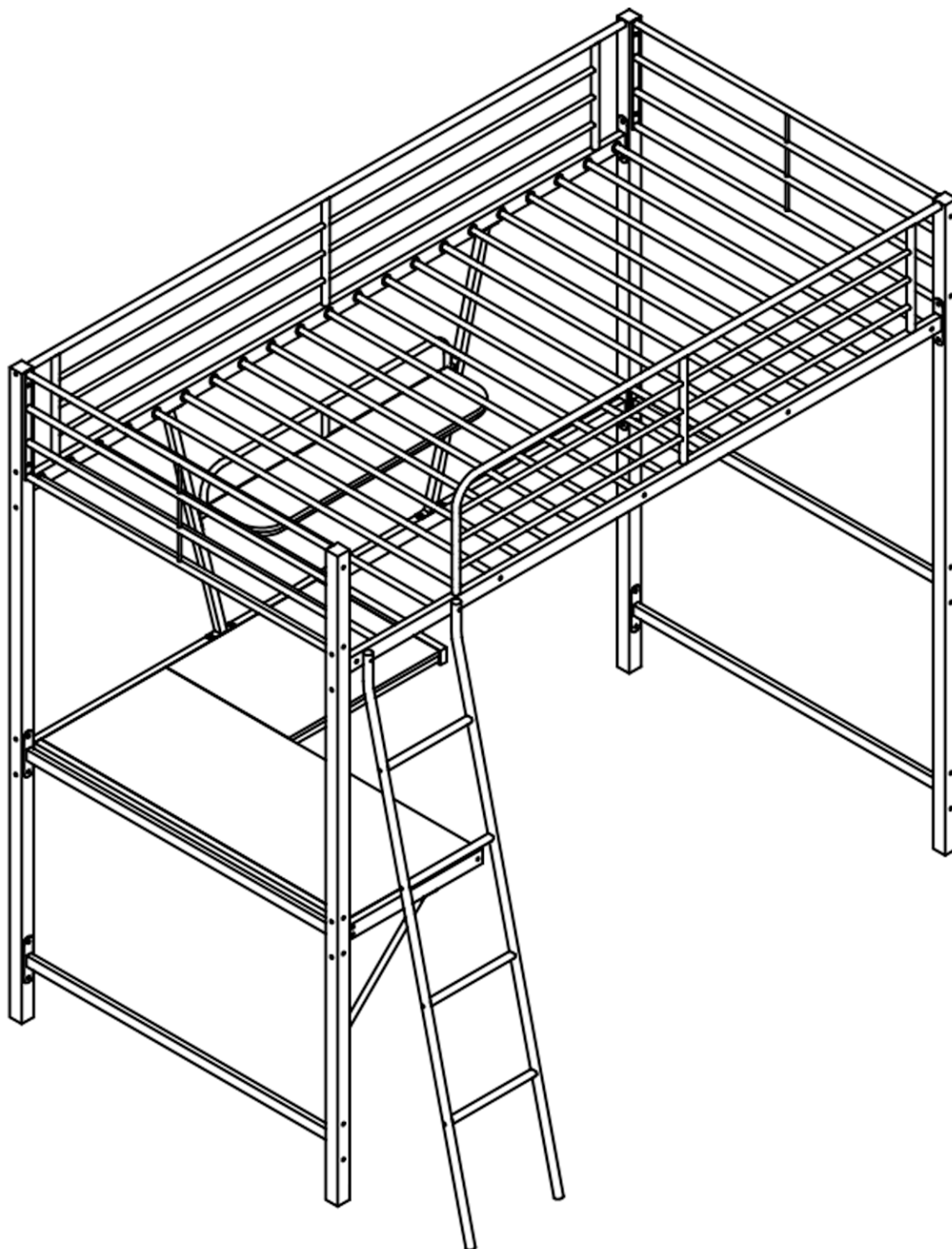


ASSEMBLY INSTRUCTIONS

LOFT BED



WF295285 + WF300483

SAFETY WARNINGS AND GENERAL NOTES

1. Follow the information on the warnings on the bunk bed end structure and on the carton. Do not remove the warning label from the bed.
2. Always use the recommended size mattress on mattress support, or both, to help prevent the likelihood of entrapment or falls.
3. Do not allow children under 6 years of age to use the upper bunk.
4. Periodically check and ensure the guardrail, ladder and other components are in their proper position, free from damage, and all connectors are tight.
5. Do not allow horseplay on or under beds.
6. Always prohibit jumping on the bed.
7. Prohibit more than one person on upper bunk.
8. Always use the ladder for entering and leaving the upper bunk.
9. Do not use substitute parts. Contact the manufacturer or dealer for replacement parts.
10. Use of a night-tight may provide added safety precaution for a child using the upper bunk.
11. Always use guardrails on both long sides of the upper bunk.
12. If the bunk bed will be placed next to a wall, the guardrail that runs the full length of the bed should be placed against the wall to prevent entrapment between the bed and the wall. The use of water or sleep flotation mattresses is prohibited.
13. **STRANGULATION HAZARD**-Never attach or hang items to any part of the bunk bed that are not designed for use with the bed.
14. Keep these instructions for future reference.
15. We recommend assembling your bunk bed on the shipping carton to protect your floor or carpet.
16. Be certain all staples are out of the box before beginning assembly on the shipping carton.
17. **USE ONLY MATTRESSES WHICH ARE AS THE TABLE BELOW ON UPPER BUNK.**

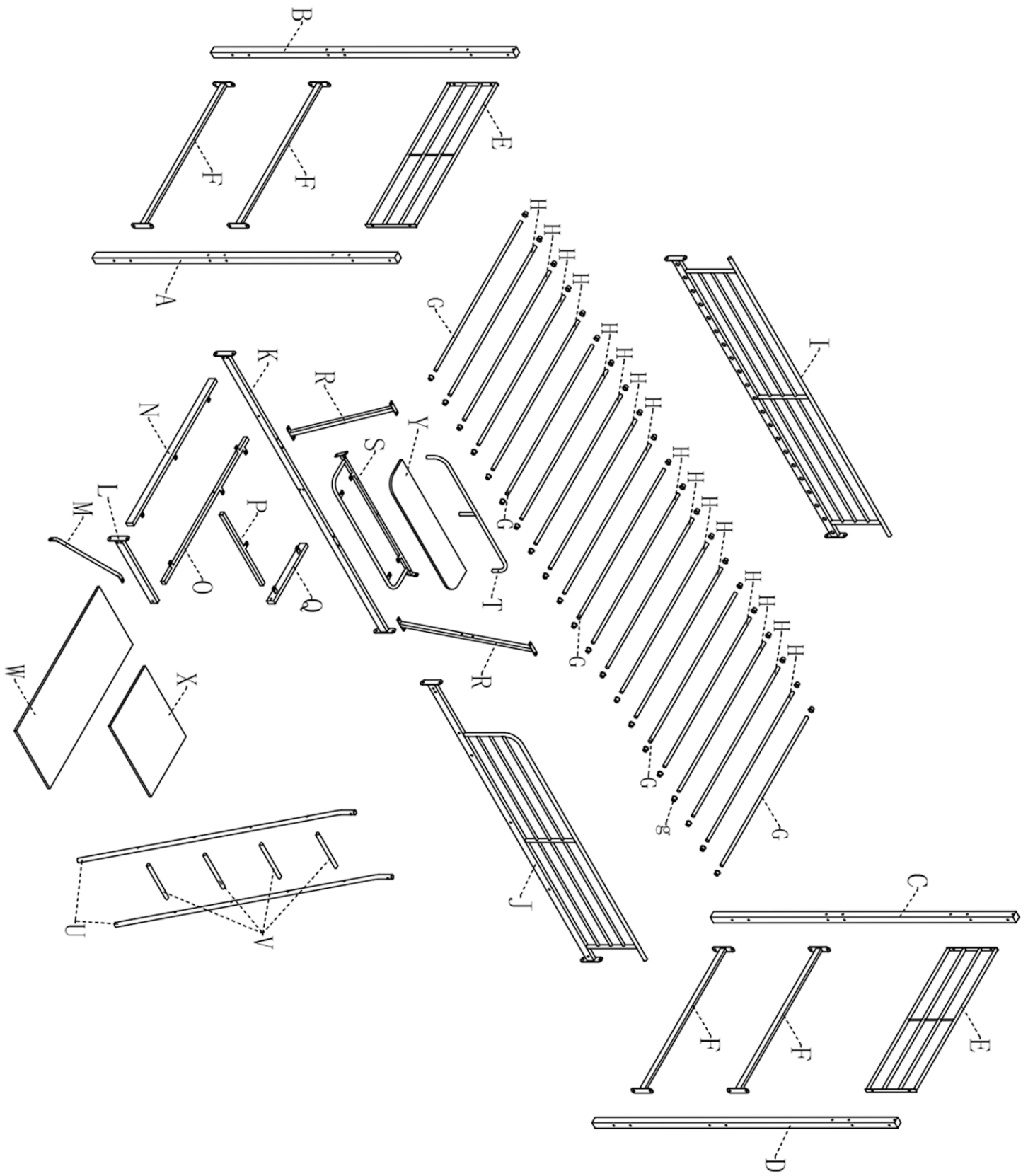
Up bed(bunk bed and tribed included)

Bed type	Length	Width	Thickness
Twin Standard	74" – 75"	38.5"	6"





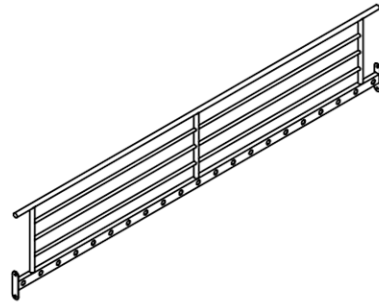
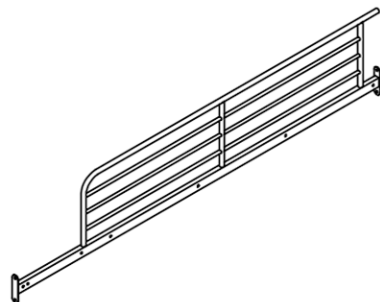
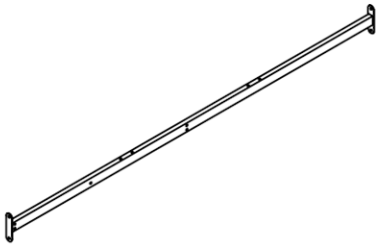


18. **SURFACE OF MATTRESS MUST BE AT LEAST 5" (127MM) BELOW THE UPPER EDGE OF GUARDRAILS.**

19. Replacement Parts:










Replacement Parts, including additional guardrails, may be obtained from any of our (GIGACLOUD TECHNOLOGY (USA) INC) dealers.

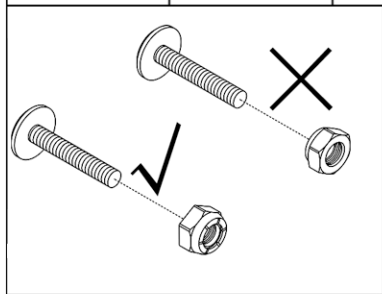


Parts List — WF300483

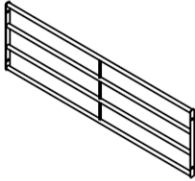
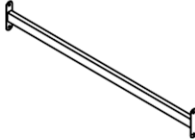


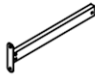


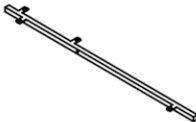



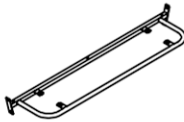
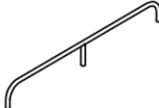

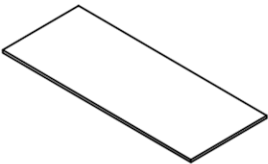
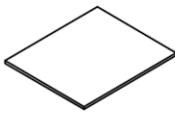
A	B	C	D	I		J
						
1PC	1PC	1PC	1PC	1PC		1PC
K			U	Y		
						
1PC			2PCS	1PC		

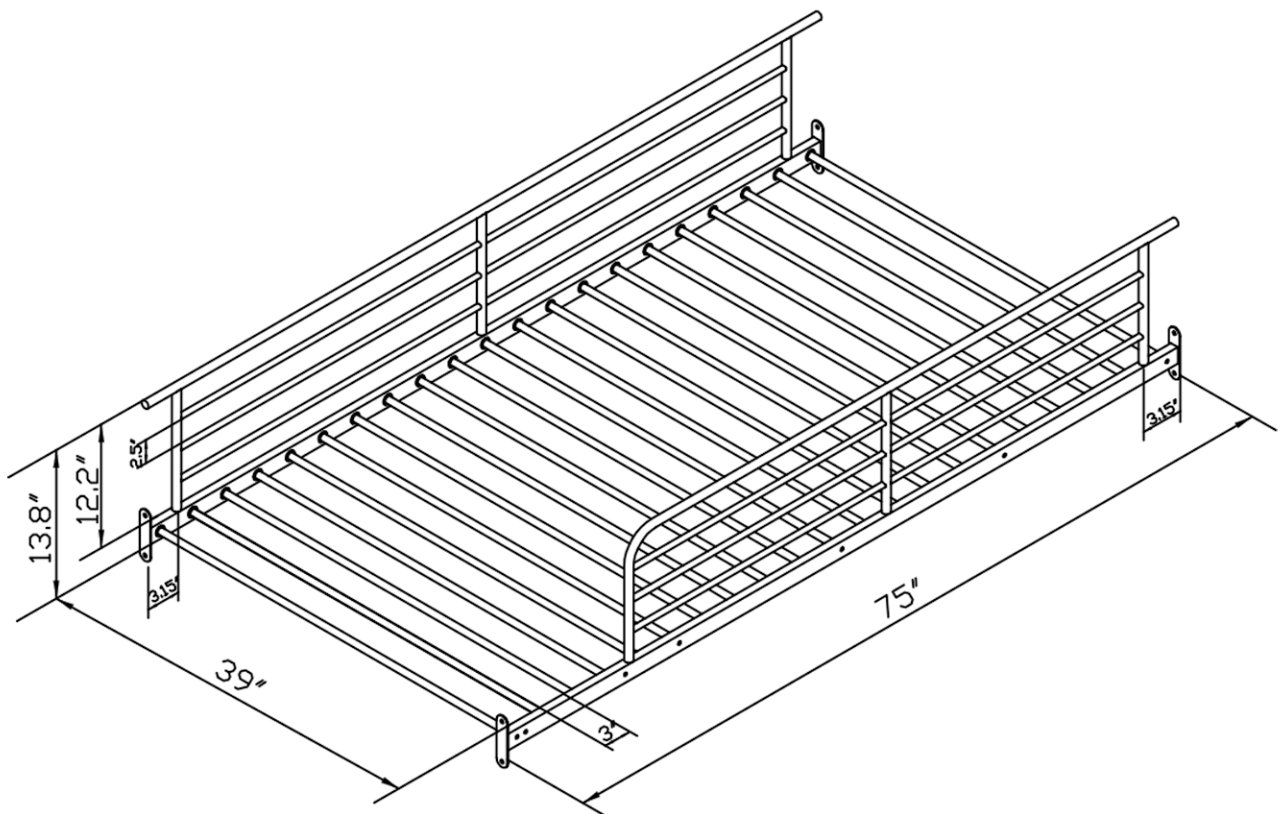
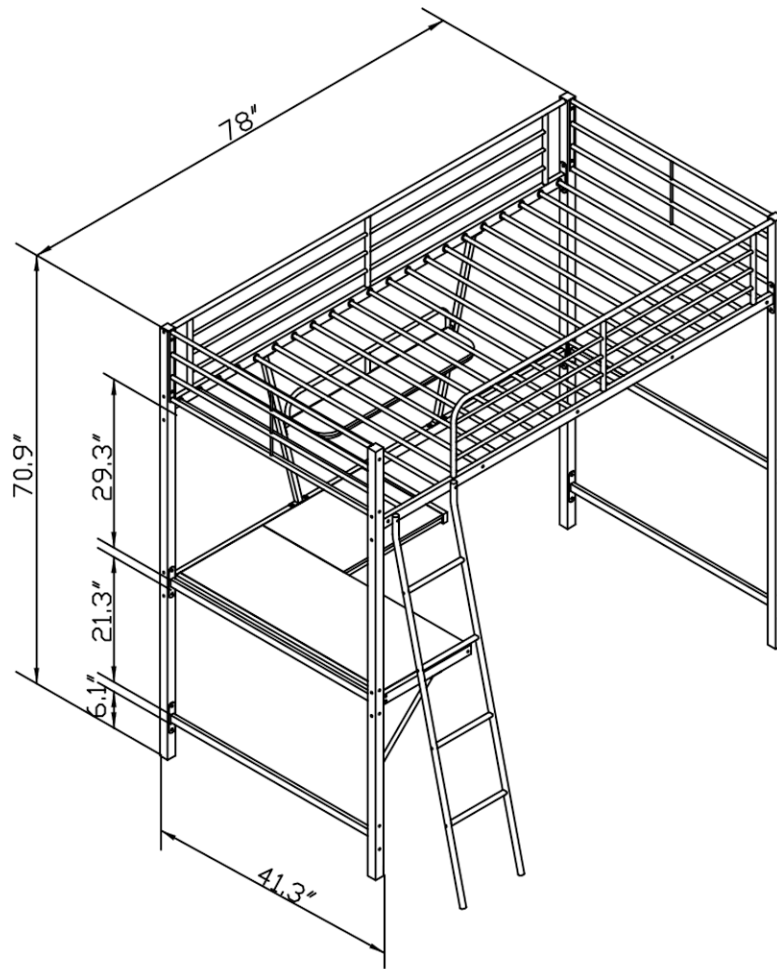
Hardware List

①	②	③	④	⑤	⑥	⑦	⑧	⑨
								
1/4*50 41PCS	1/4*35 23PCS	1/4*19 24PCS	M6*10 14PCS	38PCS	38PCS	42PCS	2PCS	2PCS

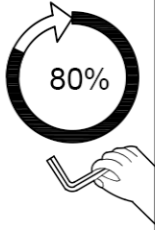
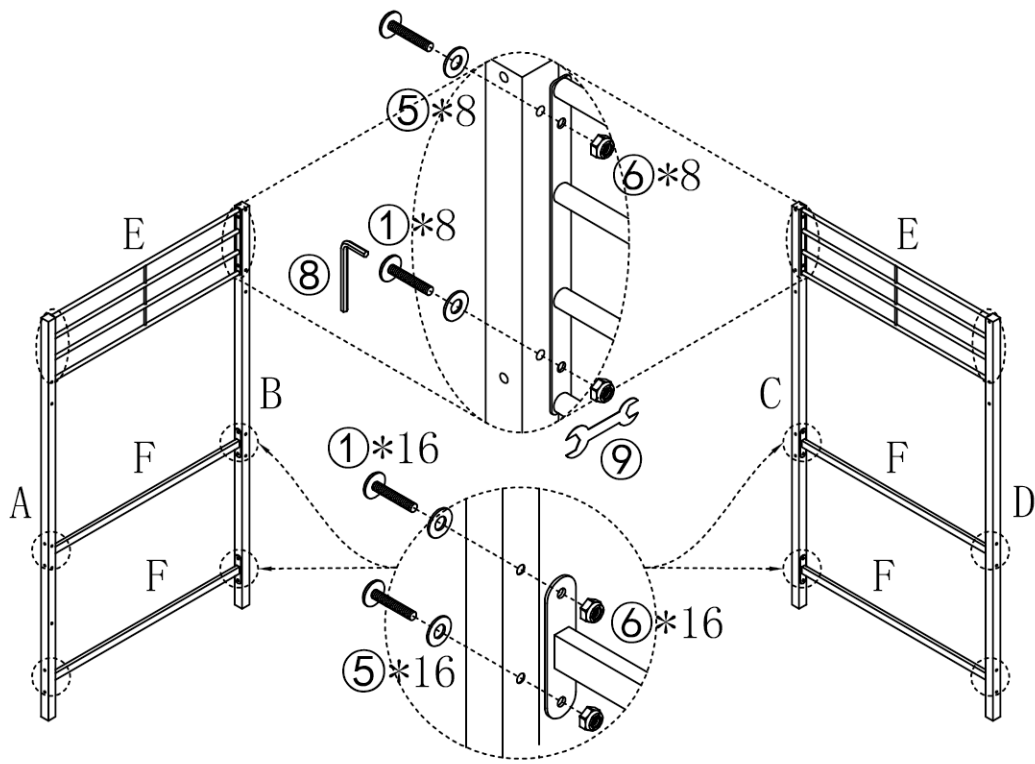


Parts List — WF295285

E	F	G	H	L	M		
 <p data-bbox="154 629 231 664">2PCS</p>	 <p data-bbox="449 629 526 664">4PCS</p>	 <p data-bbox="731 629 808 664">5PCS</p>	 <p data-bbox="1016 629 1093 664">16PCS</p>	 <p data-bbox="1267 629 1329 664">1PC</p>	 <p data-bbox="1416 629 1478 664">1PC</p>		
N	O	P	Q	R	S	T	V
 <p data-bbox="135 1159 197 1194">1PC</p>	 <p data-bbox="361 1159 423 1194">1PC</p>	 <p data-bbox="560 1159 622 1194">1PC</p>	 <p data-bbox="709 1159 771 1194">1PC</p>	 <p data-bbox="833 1159 910 1194">2PCS</p>	 <p data-bbox="1019 1159 1081 1194">1PC</p>	 <p data-bbox="1239 1159 1301 1194">1PC</p>	 <p data-bbox="1409 1159 1486 1194">4PCS</p>
W		X					
 <p data-bbox="175 1692 237 1726">1PC</p>		 <p data-bbox="454 1692 515 1726">1PC</p>					



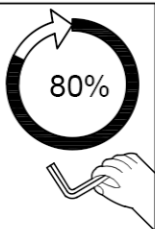
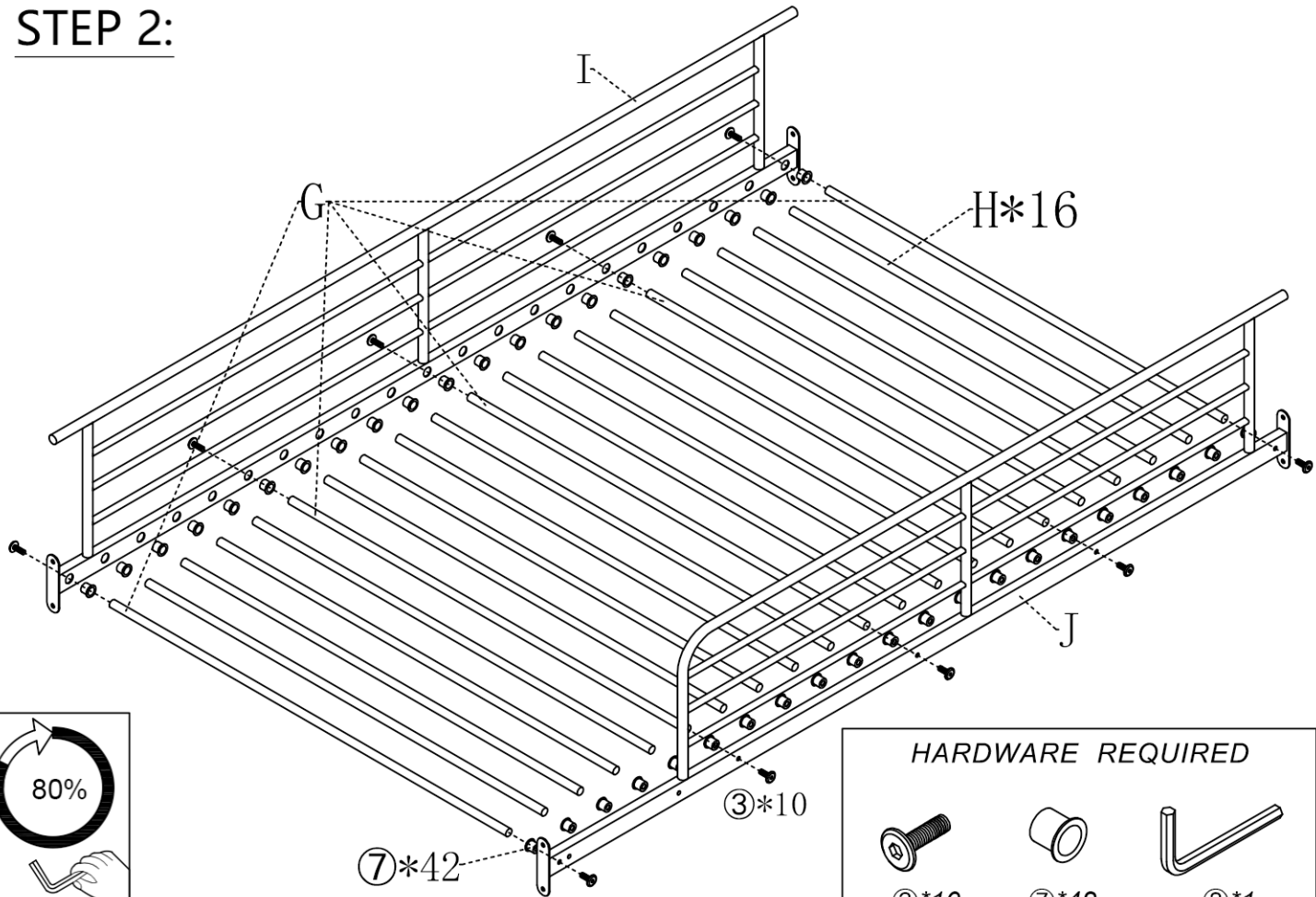
STEP 1:



HARDWARE REQUIRED

①*24	⑤*24	⑥*24	⑧*1	⑨*1

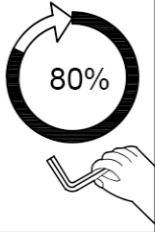
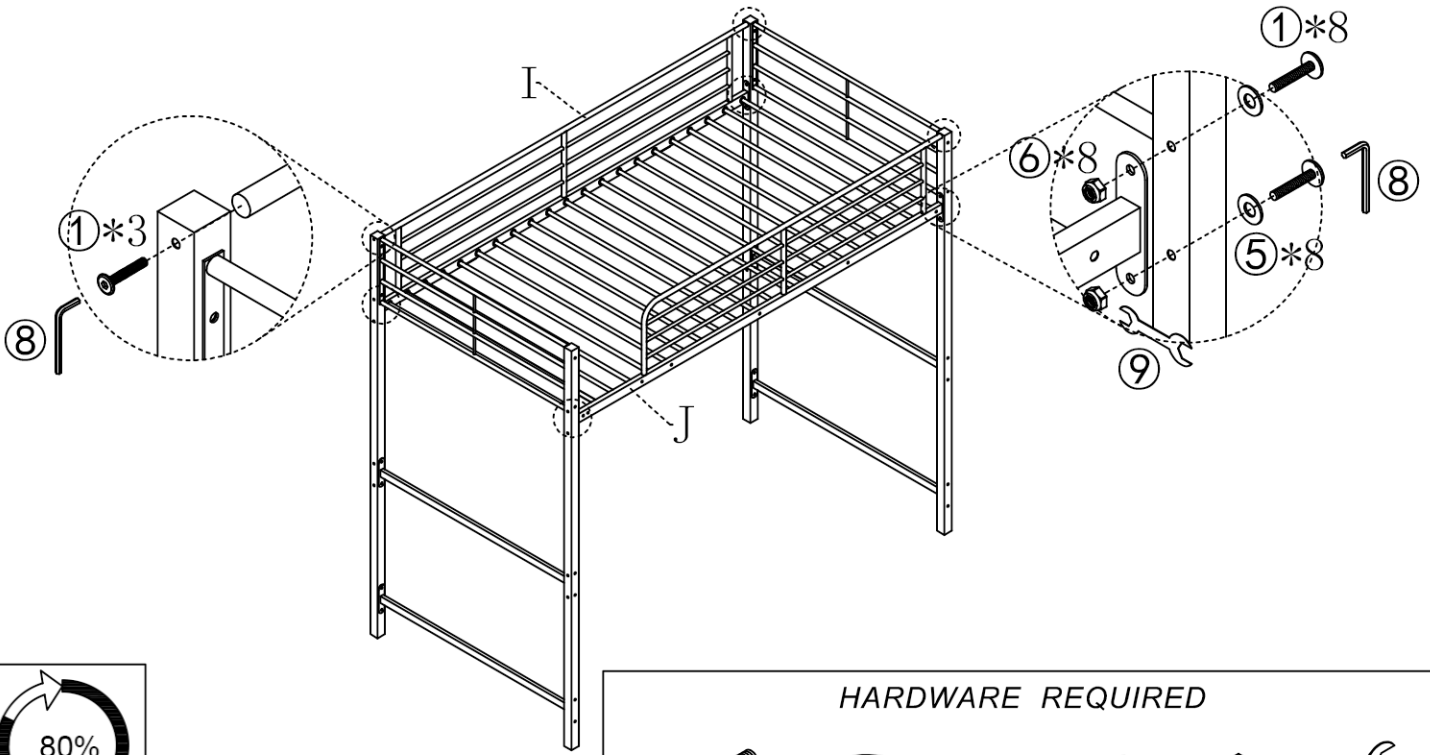
STEP 2:








HARDWARE REQUIRED

③*10	⑦*42	⑧*1

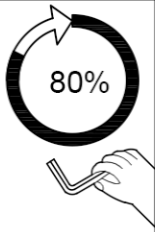
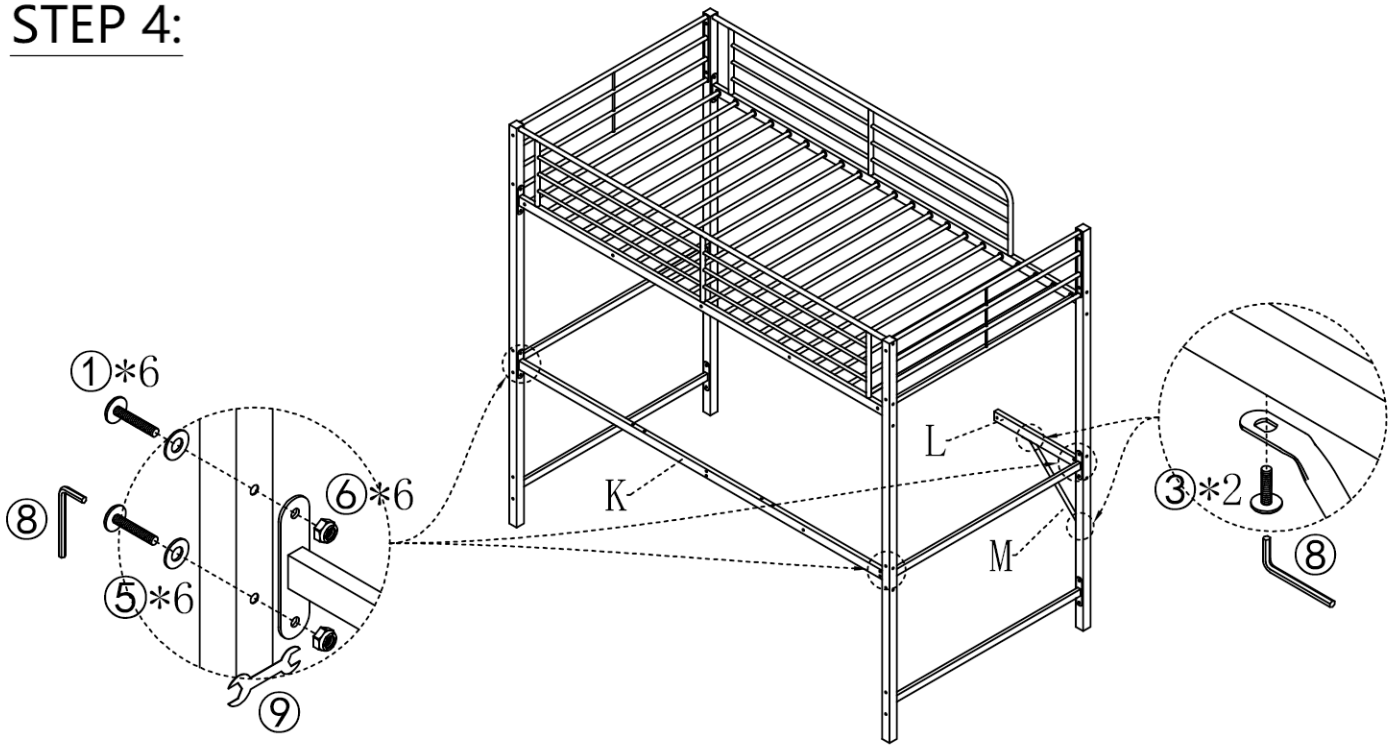
STEP 3:









HARDWARE REQUIRED

				
①*11	⑤*8	⑥*8	⑧*1	⑨*1

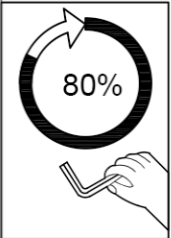
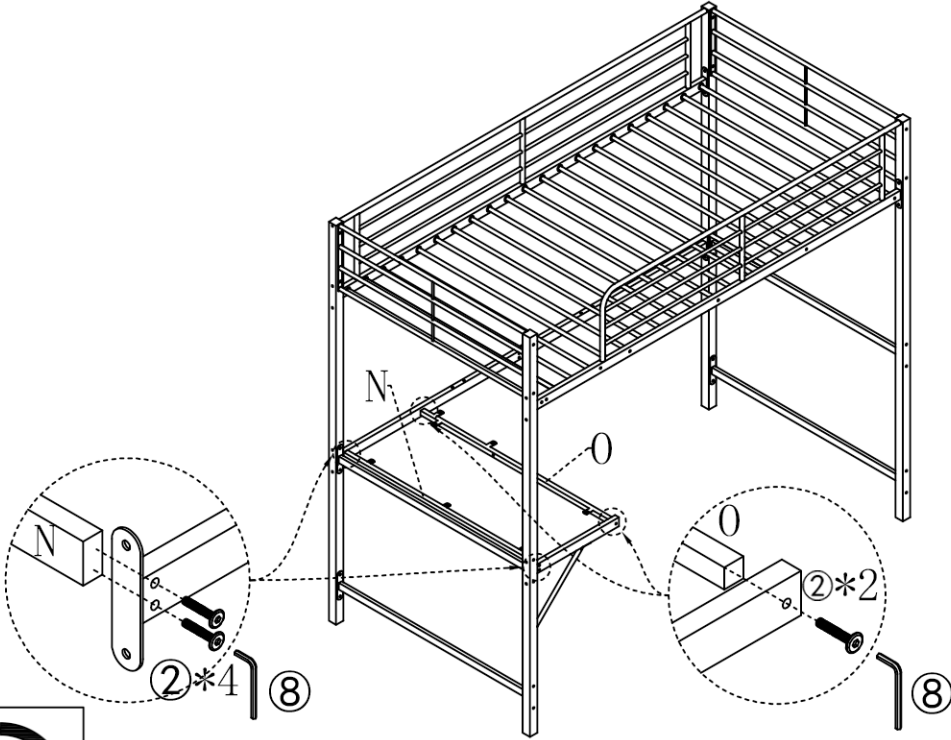
STEP 4:





HARDWARE REQUIRED

					
①*6	③*2	⑤*6	⑥*6	⑧*1	⑨*1

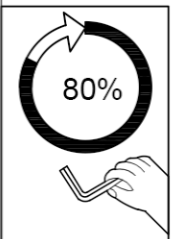
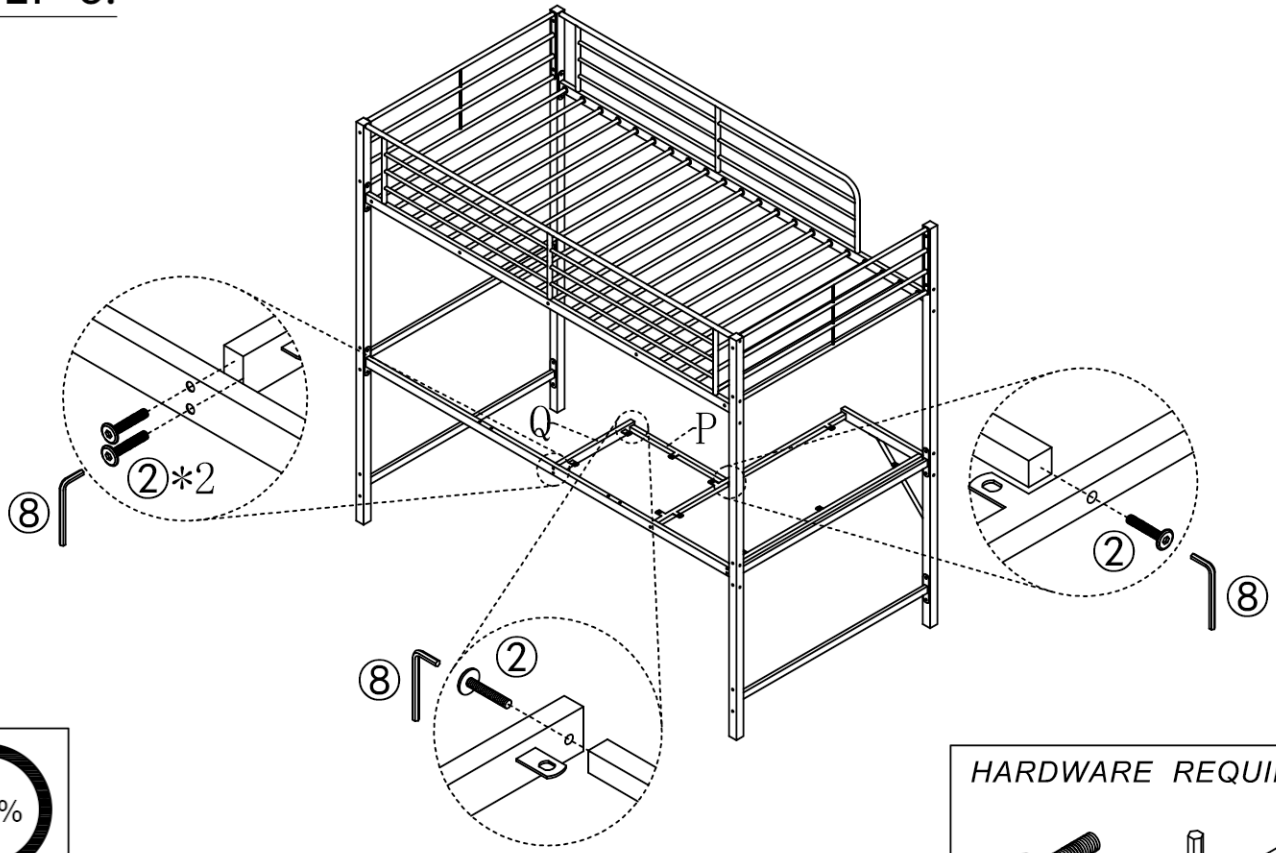
STEP 5:





HARDWARE REQUIRED

	
②*6	⑧*1

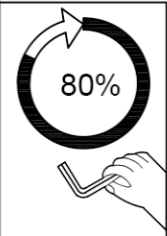
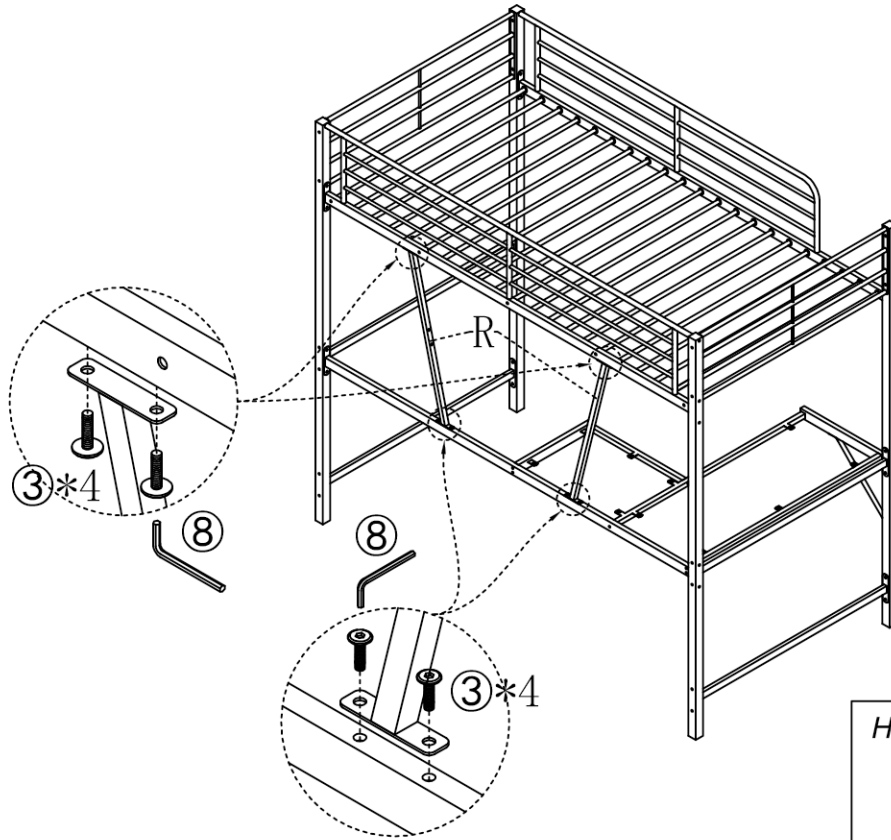
STEP 6:



HARDWARE REQUIRED

	
②*4	⑧*1

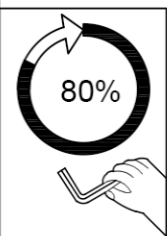
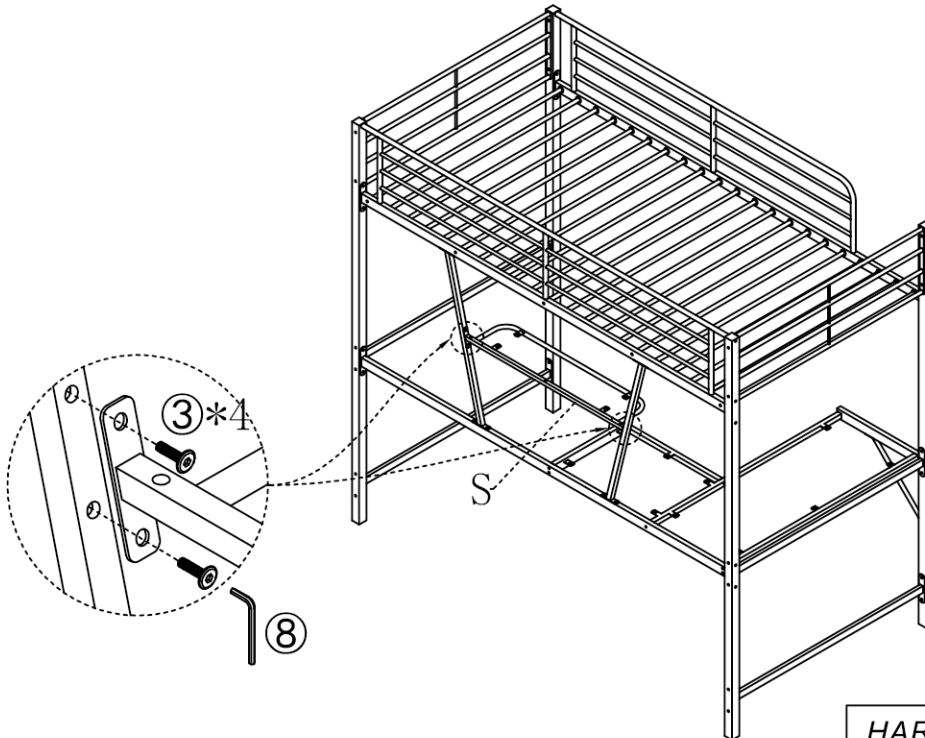
STEP 7:



HARDWARE REQUIRED

③*8 ⑧*1

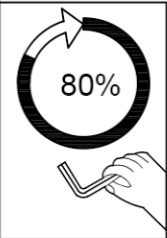
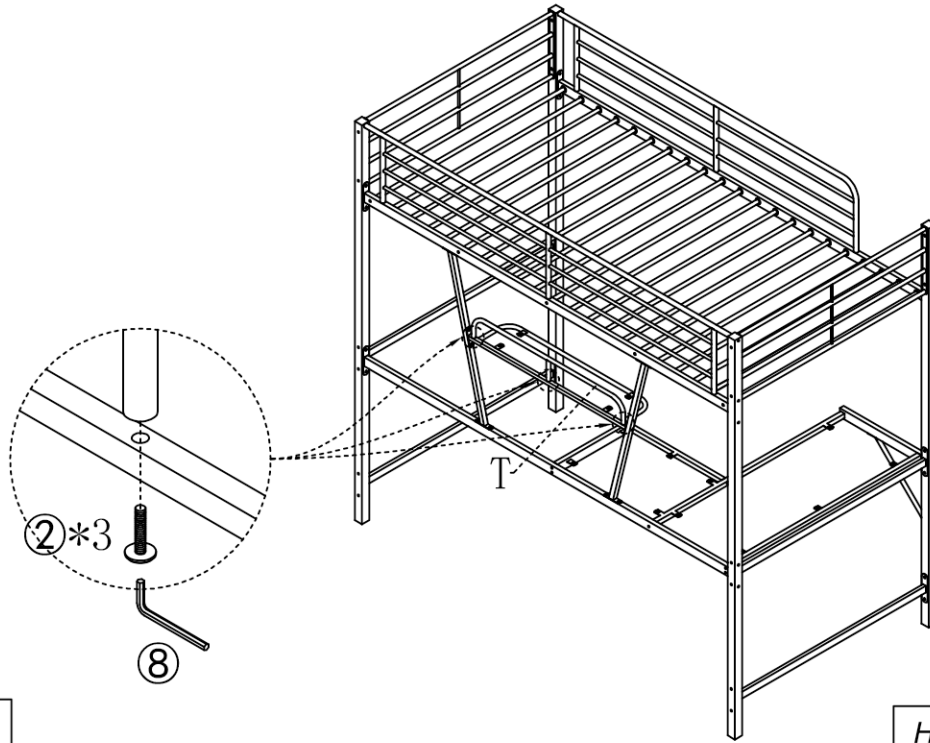
STEP 8:



HARDWARE REQUIRED

③*4 ⑧*1

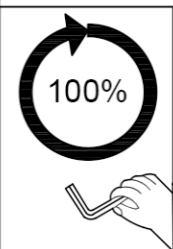
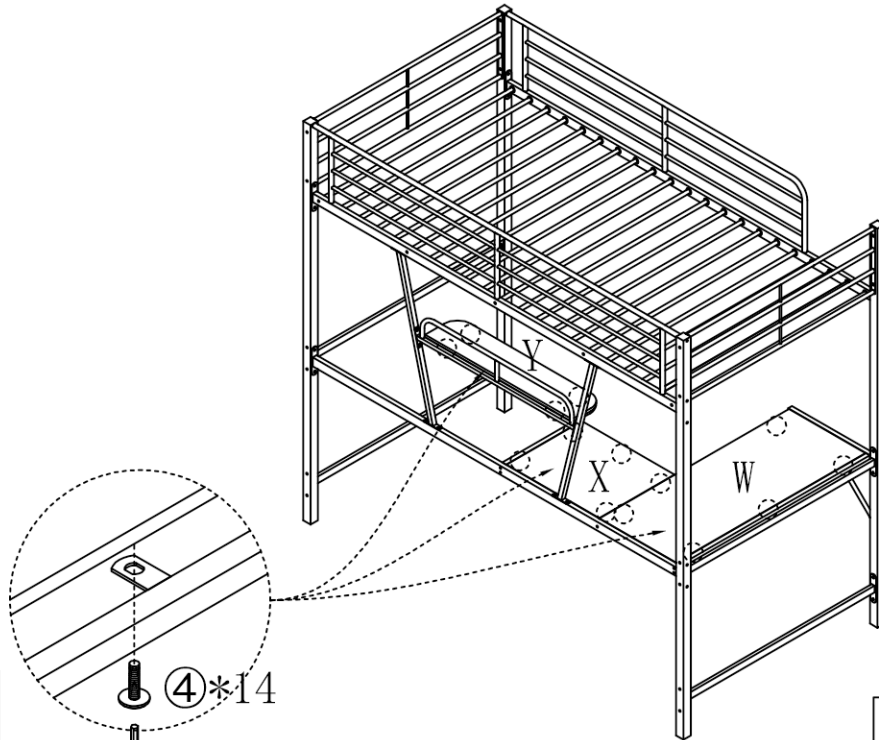
STEP 9:



HARDWARE REQUIRED

②*3 ⑧*1

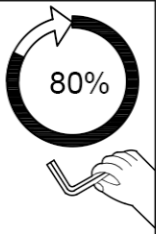
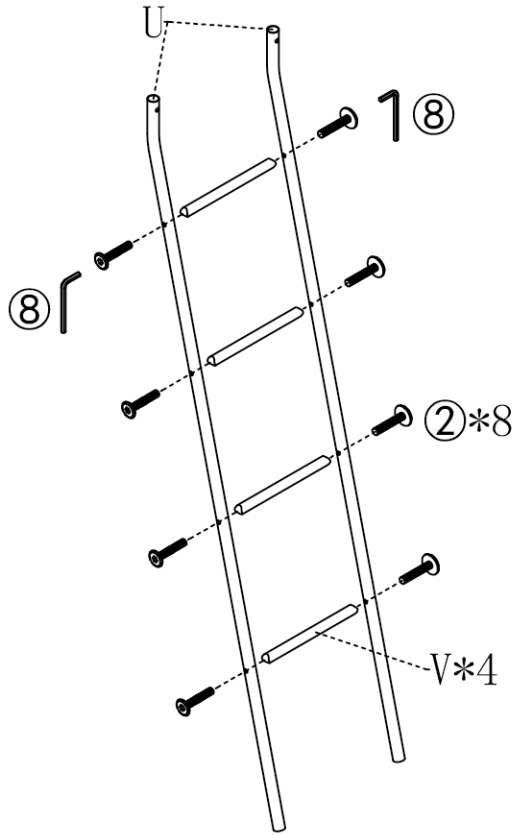
STEP 10:





HARDWARE REQUIRED

④*14 ⑧*1

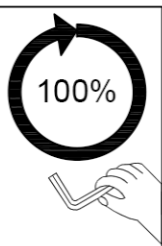
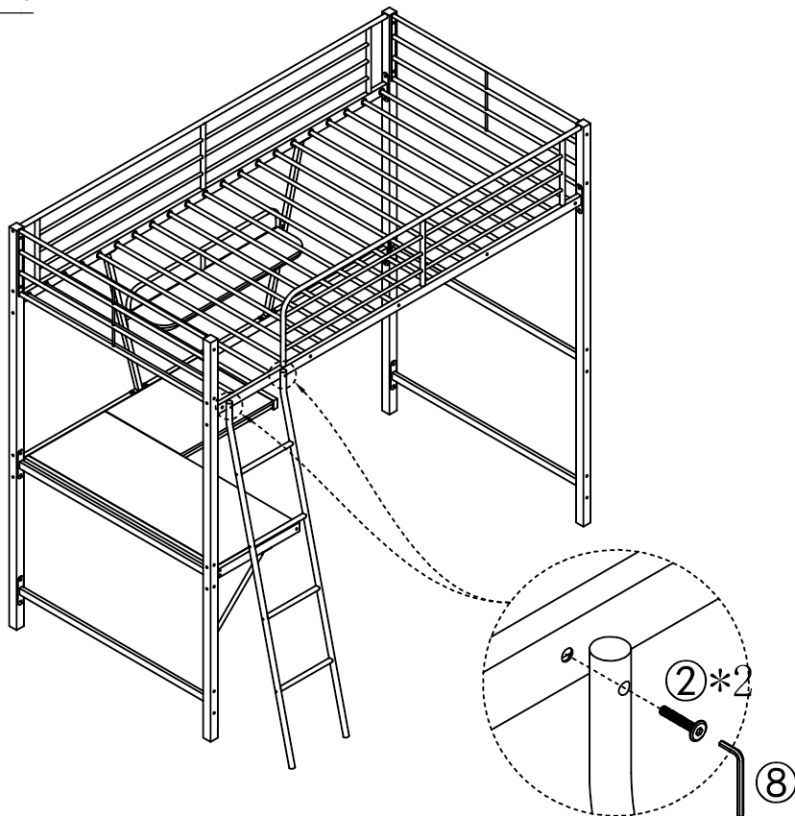
STEP 11:





HARDWARE REQUIRED

	
②*8	⑧*1

STEP 12:



HARDWARE REQUIRED

	
②*2	⑧*1

STEP 13:

