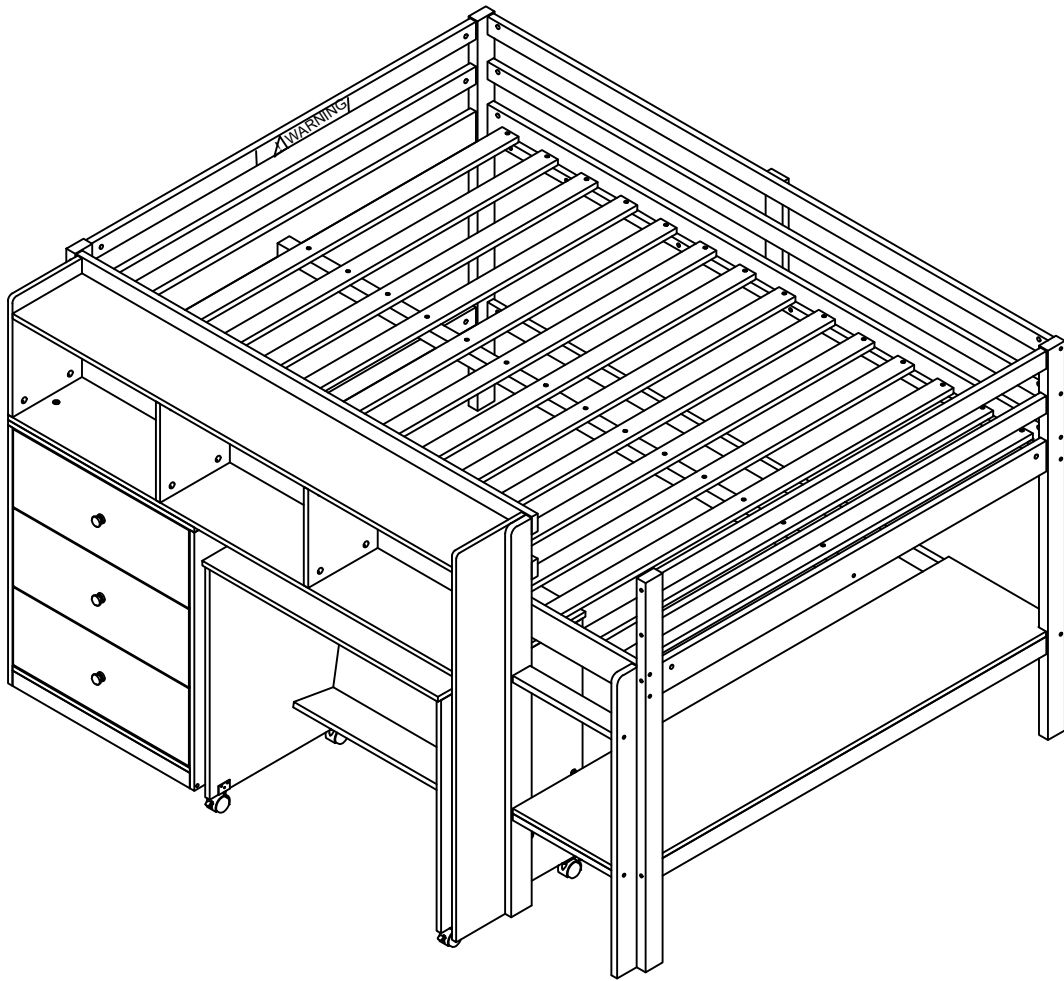


ASSEMBLY INSTRUCTIONS
**FULL SIZE LOFT BED WITH TALBE,
DRAWERS AND BOOKSHELVES**



WF298343/WF298344

ASSEMBLY INSTRUCTIONS



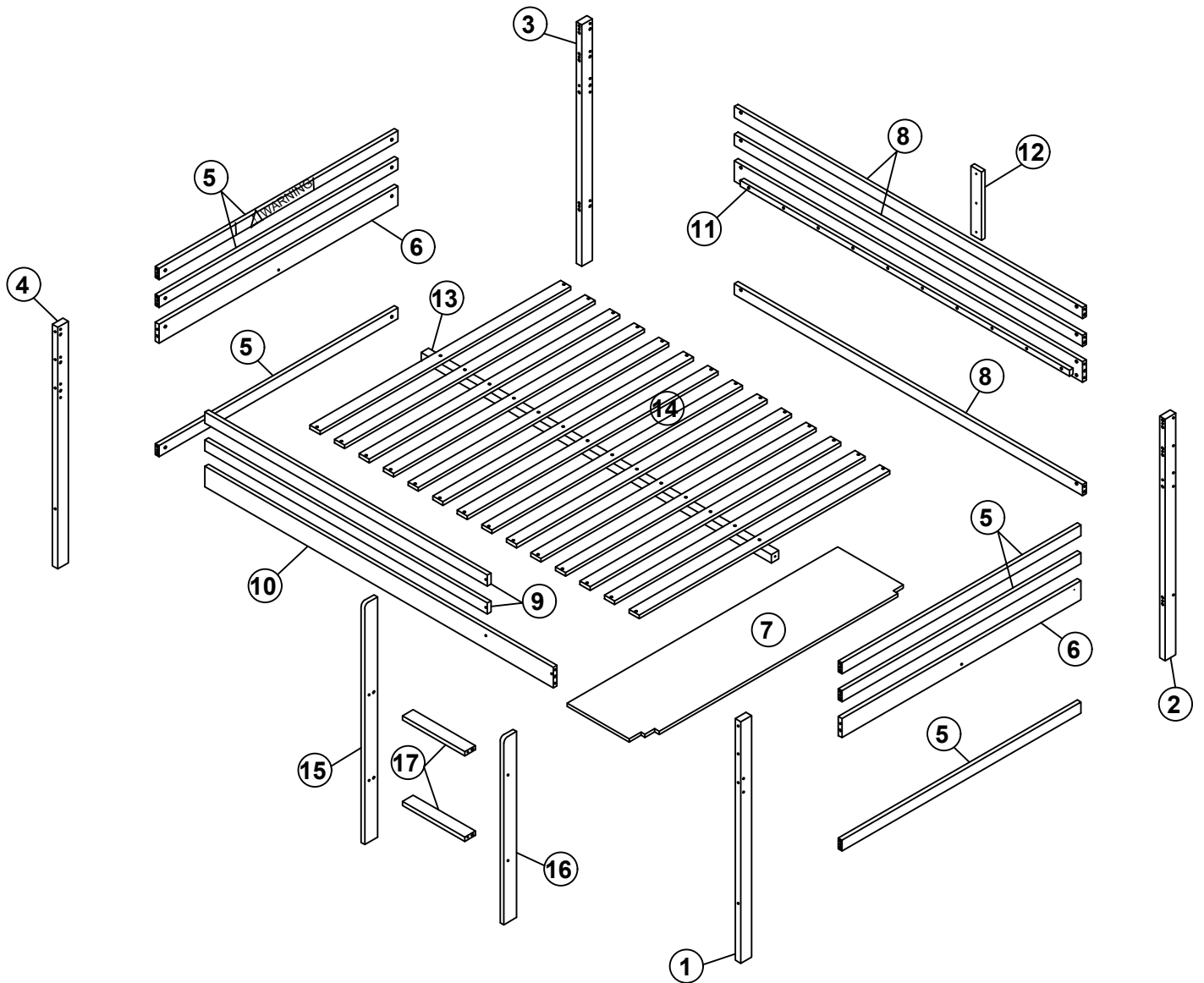
SAFETY WARNINGS



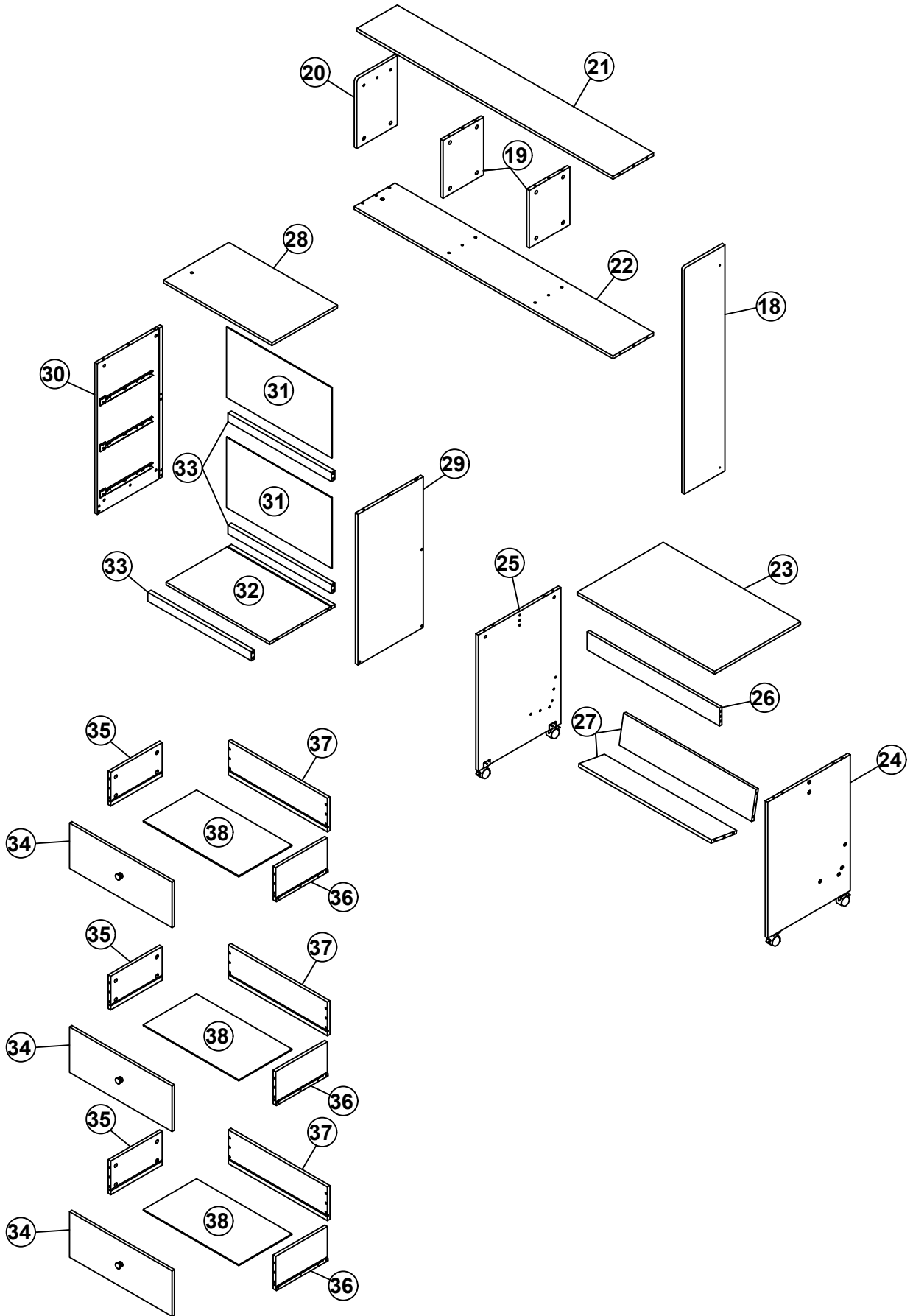
1. This bed is designed for use only mattress (es) meeting the following specifications on the upper bunk :
Upper bunk (bunk bed and tribed included)

Bed Type	Length	Width	Thickness
Full Standard	74" - 75"	53" - 54"	6" max
2. Replacement parts, including additional guardrails, maybe obtained from any of our (GIGACLOUD TECHNOLOGY (USA) INC. 18961 ARENTH AVENUE CITY OF INDUSTRY, CA, 91748) dealers
3. Follow the information on the warnings appearing on the upper bunk bed end structure and on the carton. Do not remove warning label from bed.
4. Always use the recommended size mattresses or mattress supports, or both, to help prevent the likelihood of entrapment or falls.
5. Surface of mattress must be at least 5" (127mm) below the upper edge of guardrails.
6. Do not allow children under 6 years of age to use the upper bunk.
7. Periodically check and ensure that the guardrail, ladder, and other components are in their proper position, free from damage, and that all connectors are tight.
8. Do not allow horseplay on or under the bed and prohibit jumping on the bed.
9. Always use the ladder for entering and leaving the upper bunk.
10. Do not use substitute part. Contact the manufacture or dealer for replacement part.
11. Use of a night light may provide added safety precaution for a child using the upper bunk.
12. Always use guardrails on both long sides of the upper bunk. If the bunk bed will be placed next to the wall, the guardrail that runs the full length of the bed should be placed against the wall to prevent entrapment between the bed and wall.
13. The use of water or sleep flotation mattresses is prohibited.
14. STRANGULATION HAZARD - Never attach or hang items to any part of the bunk bed that are not designed for use with the bed; for example, but not limited to, hook, belts and jump ropes.
15. Keep these instruction for future reference.
16. Prohibit more than one person on upper bunk
17. We recommend assembling your bunk bed on the shipping carton to protect your floor or carpet.
18. Be certain all staples are out of the box before beginning assembly on the shipping carton.

ASSEMBLY INSTRUCTIONS



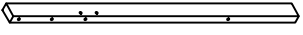
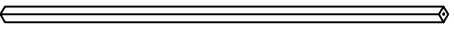
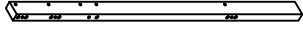
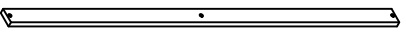
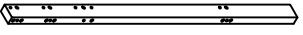

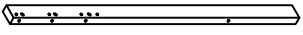
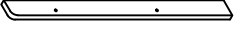

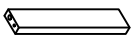
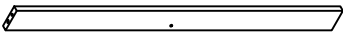

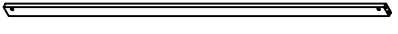



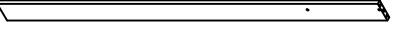

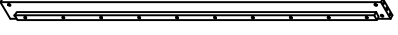

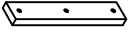
ASSEMBLY INSTRUCTIONS



ASSEMBLY INSTRUCTIONS

PARTS LIST

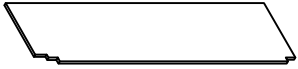



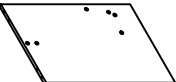
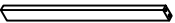
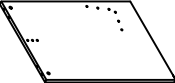
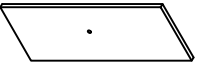

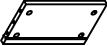
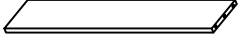






W298343

1	 Right front leg	1pc	13	 Center rail	1pc
2	 Right back leg	1pc	14	 Slats	14pcs
3	 Left back leg	1pc	15	 Ladder leg	1pc
4	 Left front leg	1pc	16	 Ladder leg	1pc
5	 Headboard panels	6pcs	17	 Ladder steps	2pcs
6	 Headboard panels	2pcs	18	 Side panel (Bookshelf)	1pc
8	 Back guard rails	3pcs	19	 Center panel (Bookshelf)	2pcs
9	 Front guard rails	2pcs	20	 Side panel (Bookshelf)	1pc
10	 Side rails	1pc	21	 Top panel (Bookshelf)	1pc
11	 Side rails	1pc	22	 Shelf panel (Bookshelf)	1pc
12	 Back guard rails support	1pc			

ASSEMBLY INSTRUCTIONS


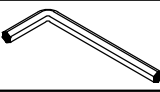
















PARTS LIST

W298344

7	Shelf board 	1pc	31	Back panel (Drawers) 	2pcs
23	Top panel (Table) 	1pc	32	Bottom panel (Drawers) 	1pc
24	Side panel (Table) 	1pc	33	Cross bar (Drawers) 	3pcs
25	Side panel (Table) 	1pc	34	Drawer front panels (Drawers) 	3pcs
26	Center panel (Table) 	1pc	35	Drawer side panels (Drawers) 	3pcs
27	Support panel (Table) 	2pcs	36	Drawer side panels (Drawers) 	3pcs
28	Top panel (Drawers) 	1pc	37	Drawer back panels (Drawers) 	3pcs
29	Side panel (Drawers) 	1pc	38	Drawer bottom panel (Drawers) 	3pcs
30	Side panel (Drawers) 	1pc			

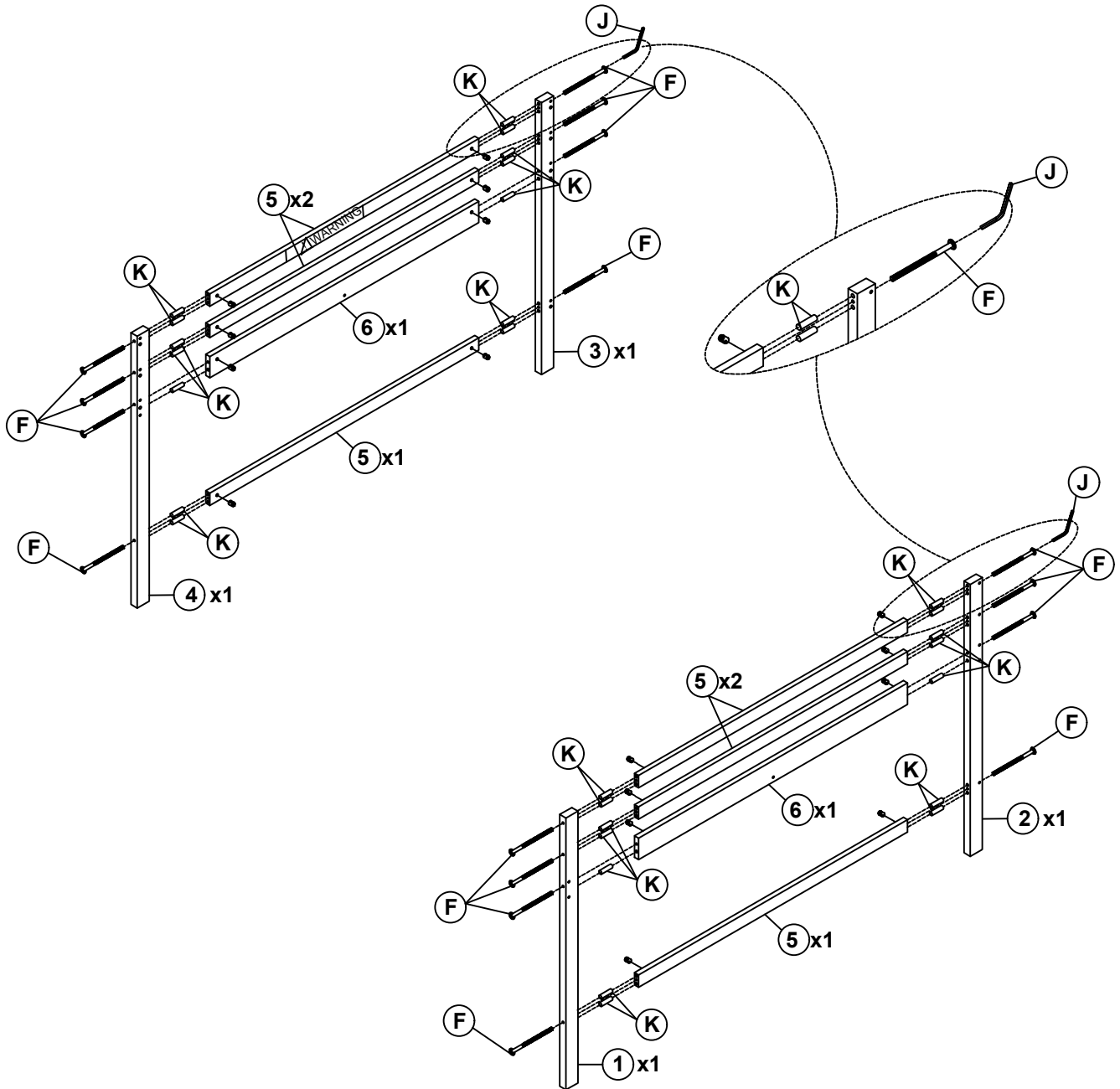
ASSEMBLY INSTRUCTIONS




HARDWARE LIST (WF298343)

A	Ø4x30		45PCS		J	4x58		1PC
B	Ø4x20		2PCS		K	Ø10x40		44PCS
C	Ø4x15		8PCS		L	Ø8x30		40PCS
D	Ø3.5x12		12PCS		M	15x15x2		4PCS
E	6.5x60		16PCS		N	Ø 6.5x35		52PCS
F	1/4x110		16PCS		O	Ø15x12		52PCS
G	1/4x75		16PCS		P	Ø4x30		3PCS
H	1/4x60		12PCS		Q	Ø28x27		3PCS
I	1/4x20		1PC		R			4PCS
						Phillip head screw Not include		

ASSEMBLY INSTRUCTIONS

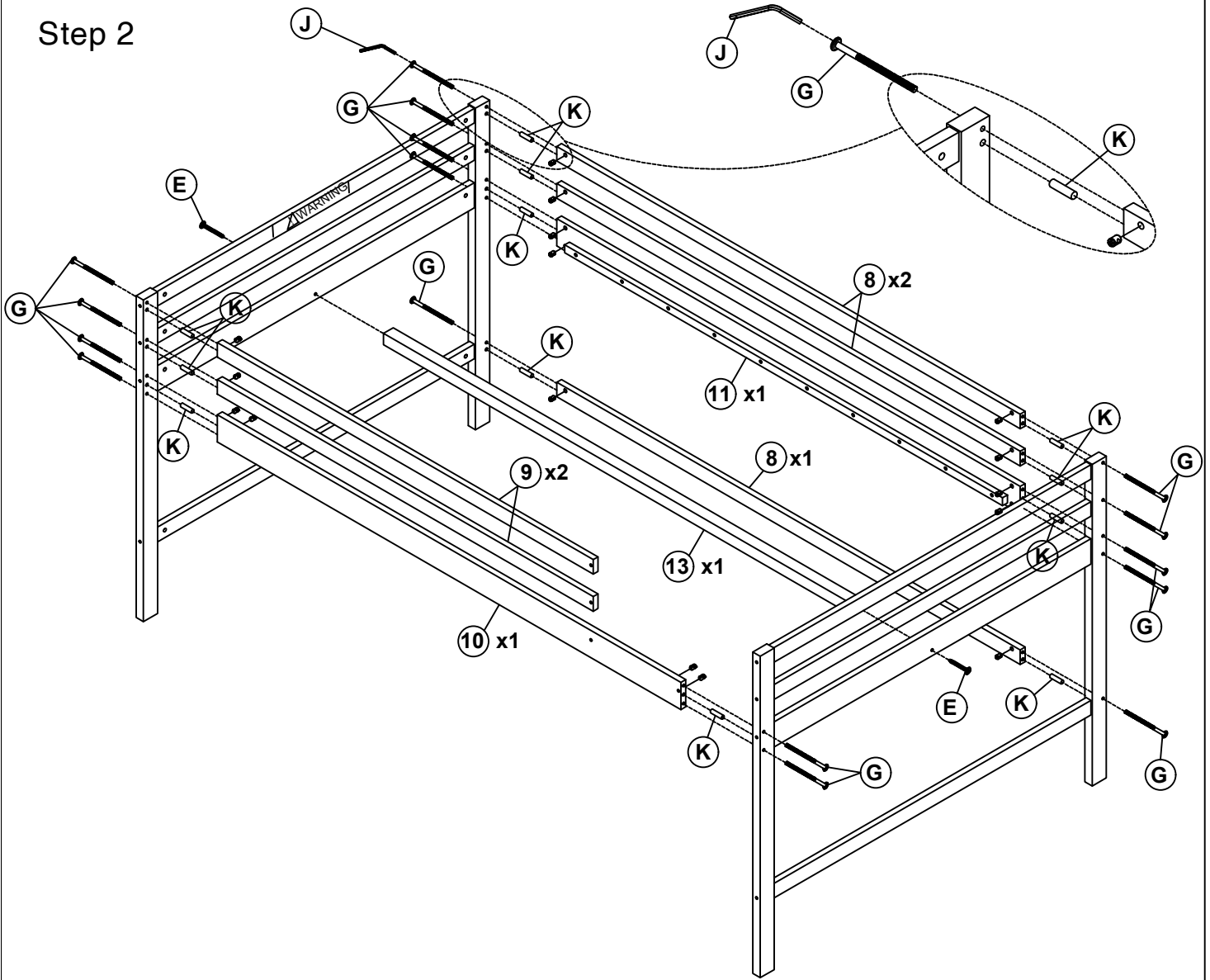
Step 1







F	1/4x110 	16PCS	J	4x58		1PC
			K	Ø10x40		28PCS

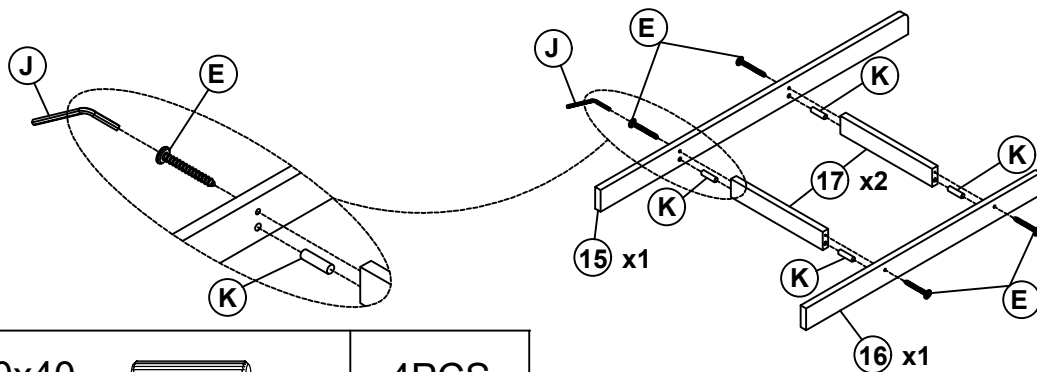
ASSEMBLY INSTRUCTIONS




Step 2



G	1/4x75		16PCS	J	4x58		1PC
E	6.5x60		2PCS	K	Ø10x40		12PCS

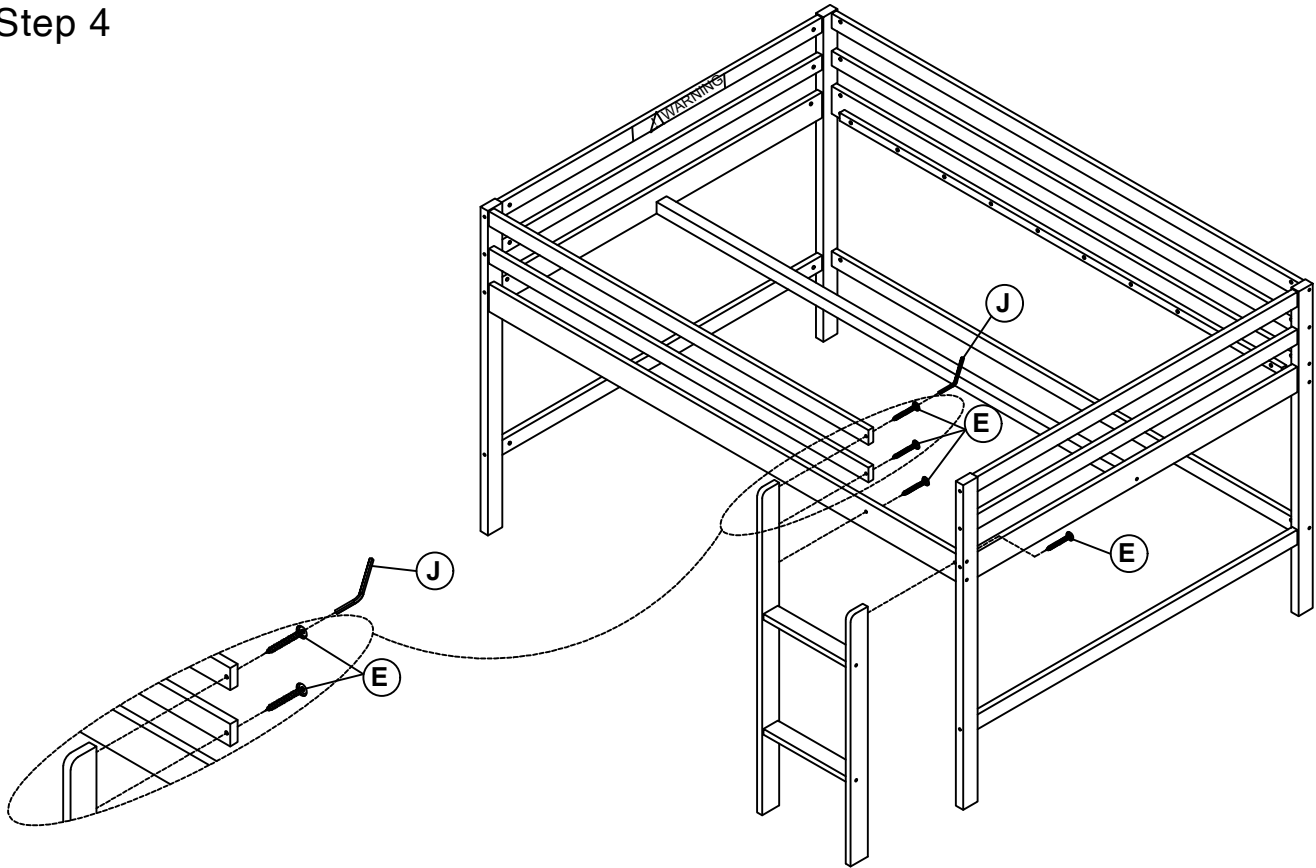
Step 3





K	Ø10x40		4PCS	J	4x58		1PC
E	6.5x60		4PCS				

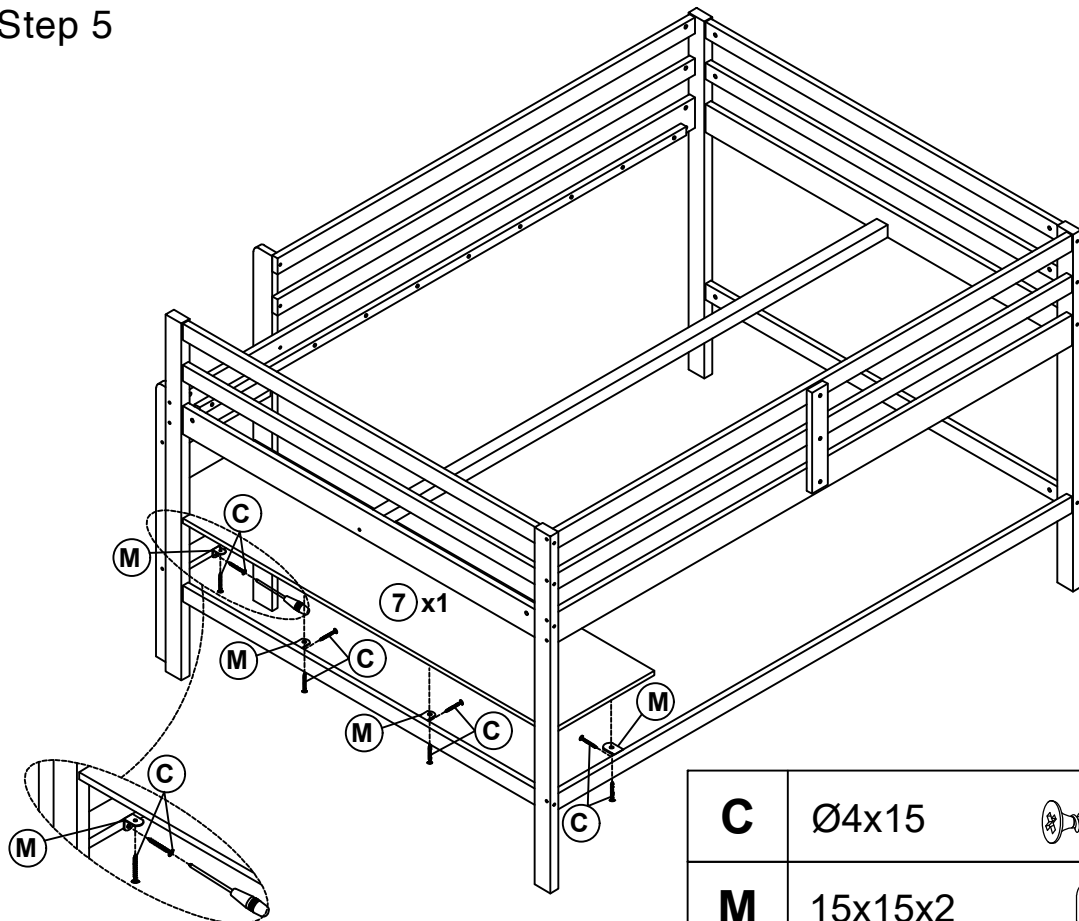
ASSEMBLY INSTRUCTIONS



Step 4



E	6.5x60		4PCS	J	4x58		1PC
----------	--------	---	------	----------	------	---	-----

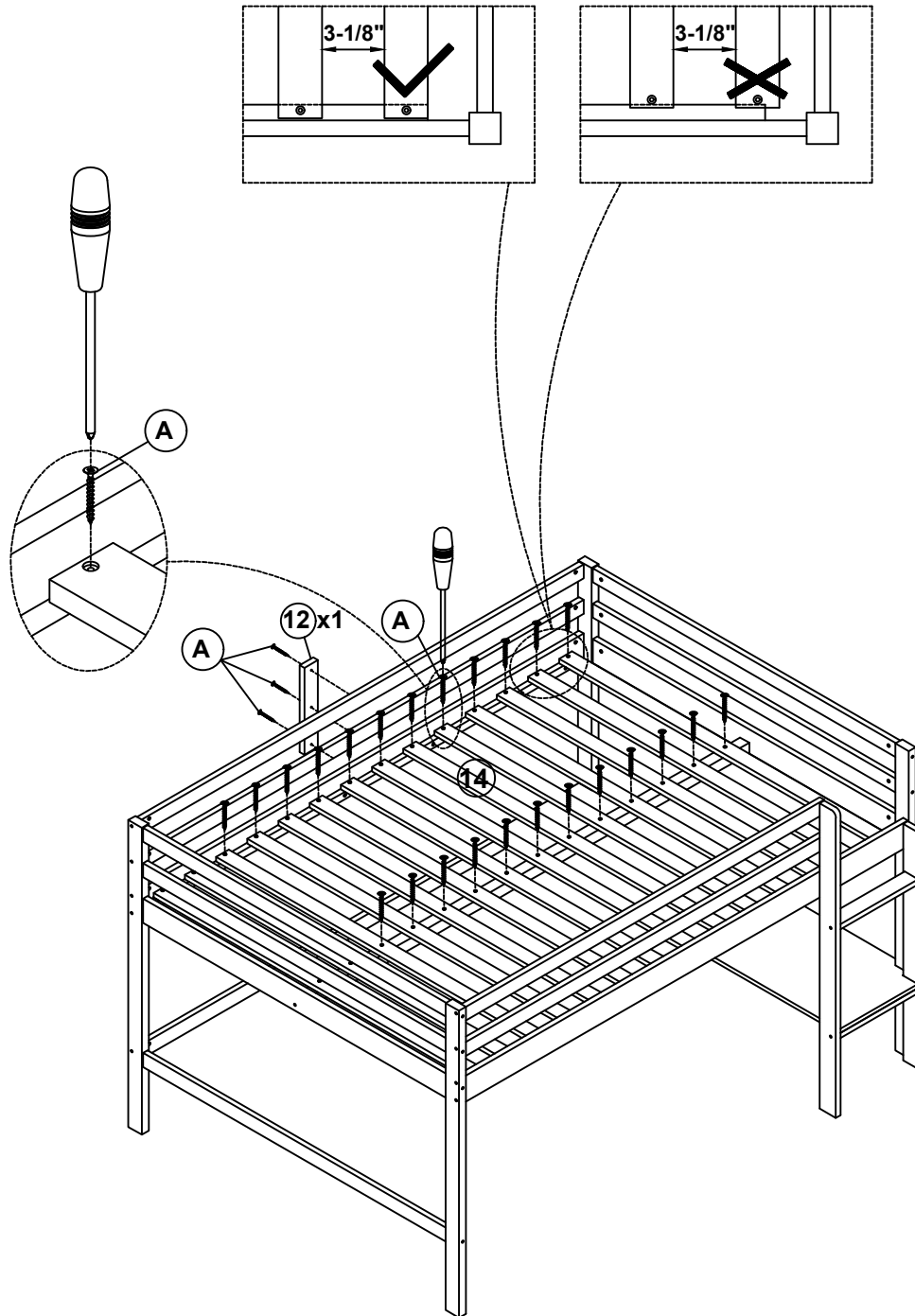
Step 5



C	Ø4x15		8PCS
M	15x15x2		4PCS

ASSEMBLY INSTRUCTIONS

Step 6 First attach 2pcs part 14 to the front and end of the frame between headboard. Then attach the remaining part 14 equidistantly between headboard



Note : Do not lock the screws of the bed slats to the outermost edge of the bed slats, you need to leave a certain space at the edges, otherwise it will cause the board to break

A

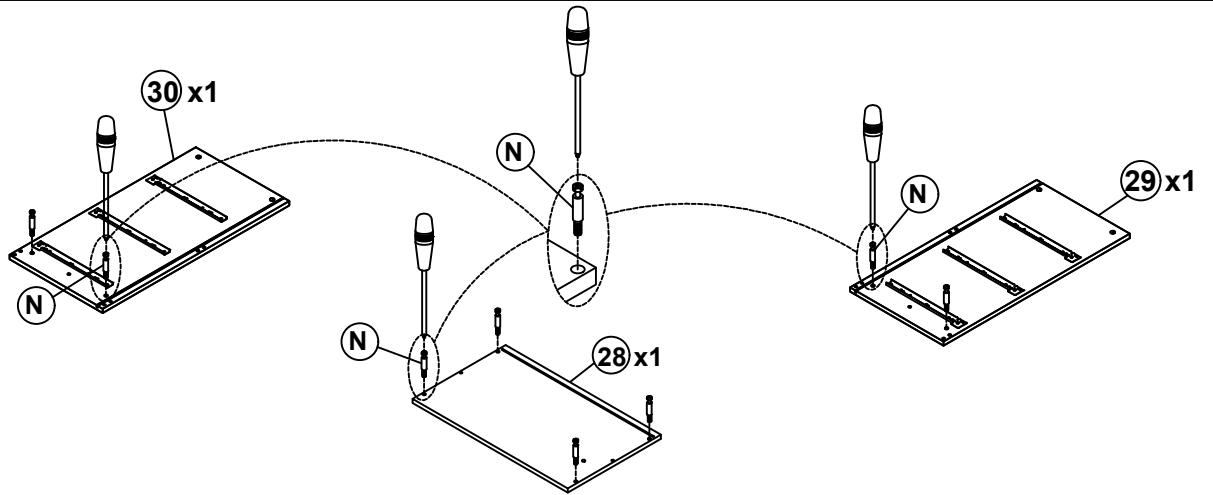
Ø4x30



45PCS

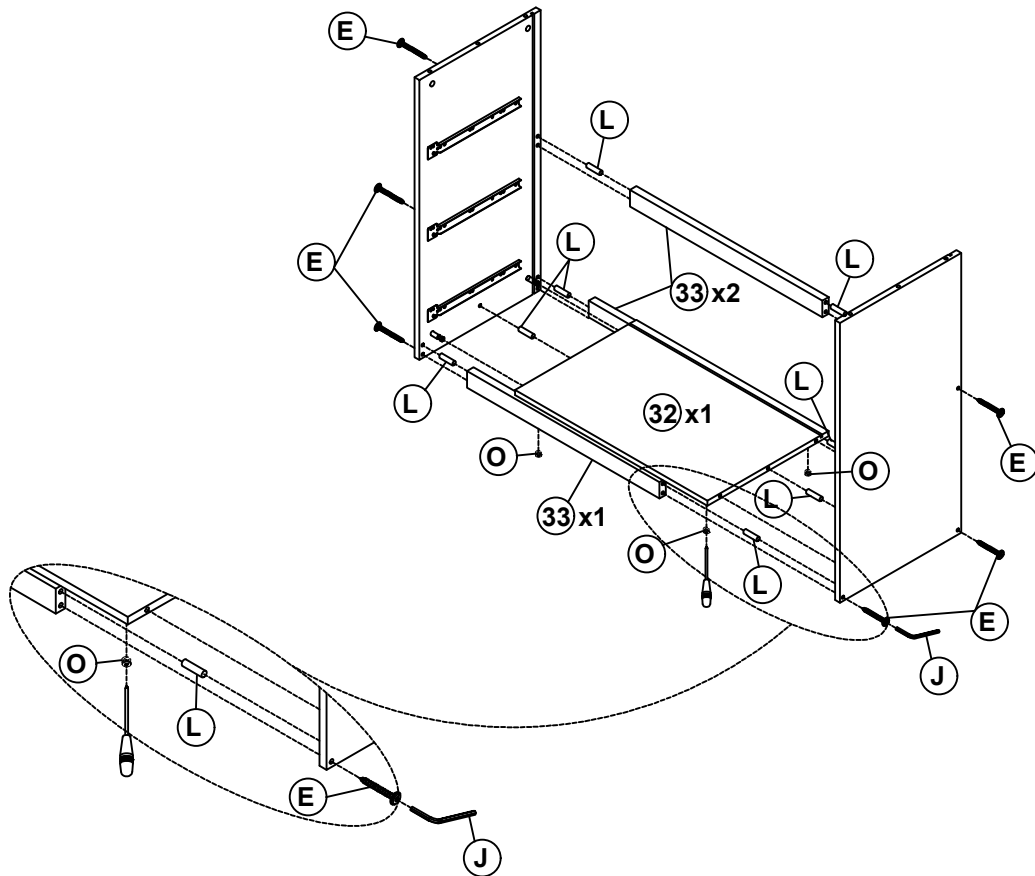
ASSEMBLY INSTRUCTIONS

Step 7



N	Ø 6.5x35		8PCS
----------	----------	---	------


Step 8



O	Ø15x12		4PCS
----------	--------	---	------

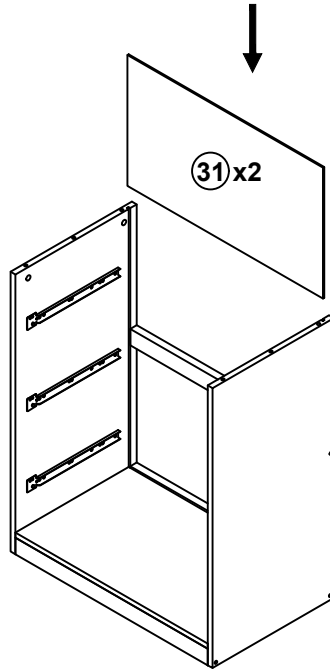
L	Ø8x30		8PCS
----------	-------	---	------

E	6.5x60		6PCS
----------	--------	---	------

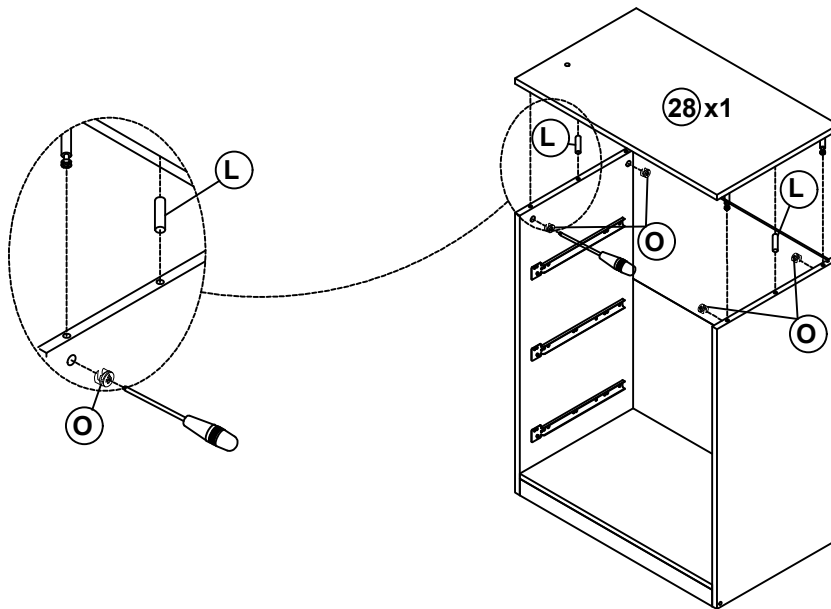
J	4x58		1PC
----------	------	---	-----

ASSEMBLY INSTRUCTIONS

Step 9



Step 10



L

Ø8x30



2PCS

O

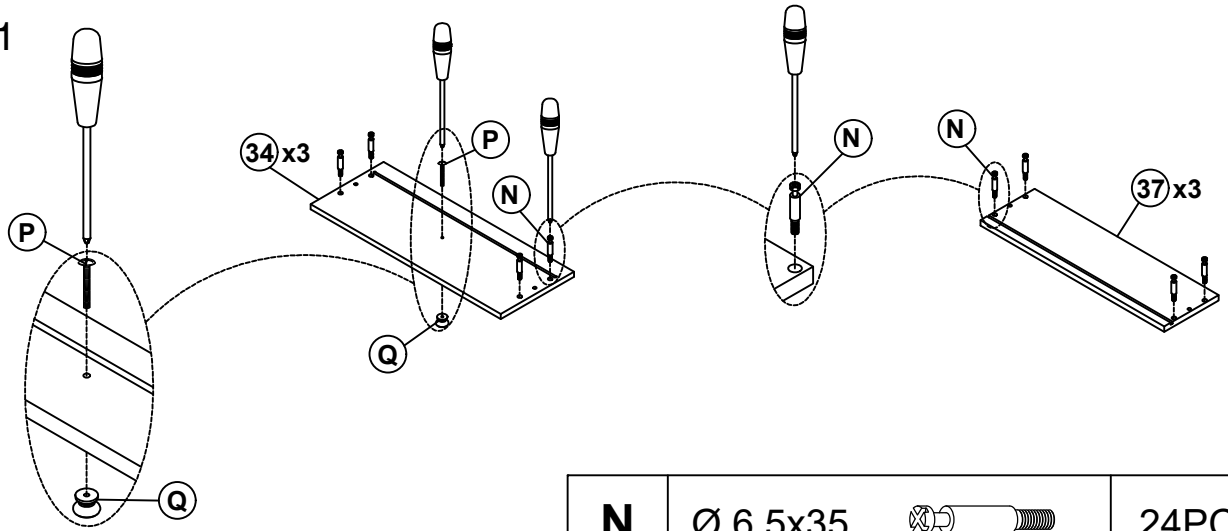
Ø15x12

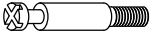




4PCS

ASSEMBLY INSTRUCTIONS

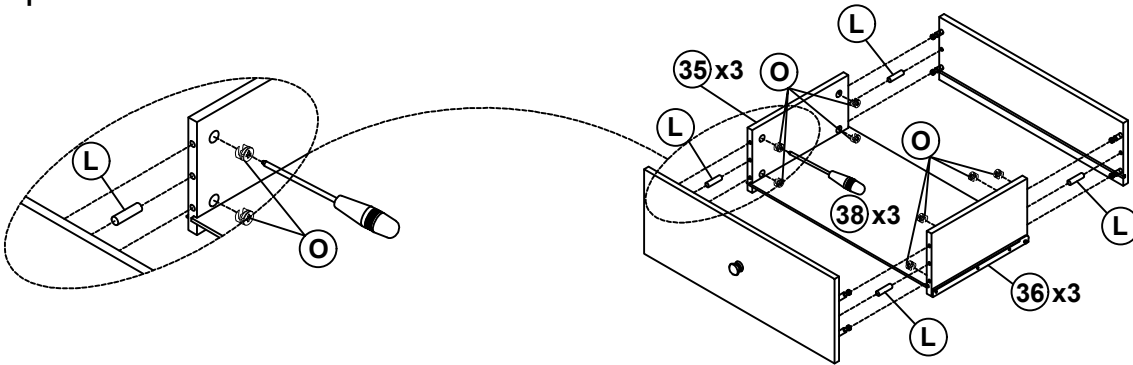
Step 11






N	Ø 6.5x35		24PCS
Q	Ø28x27		3PCS

P	Ø4x30		3PCS
----------	-------	---	------

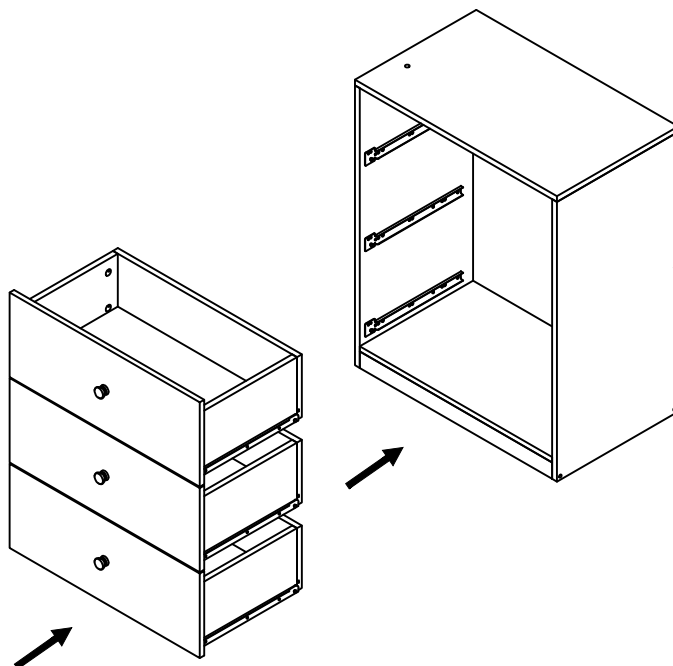
Step 12



O	Ø15x12		24PCS
L	Ø8x30		12PCS

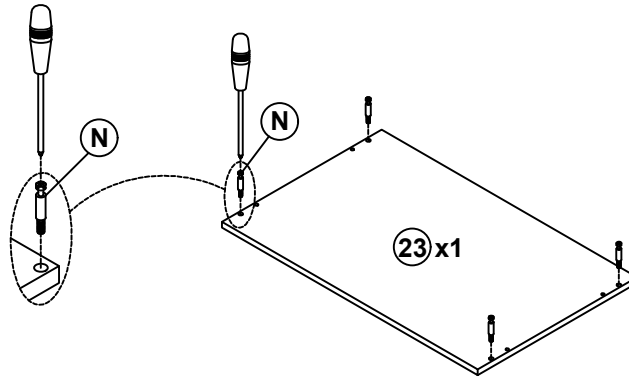
O	Ø15x12		24PCS
----------	--------	---	-------

Step 13



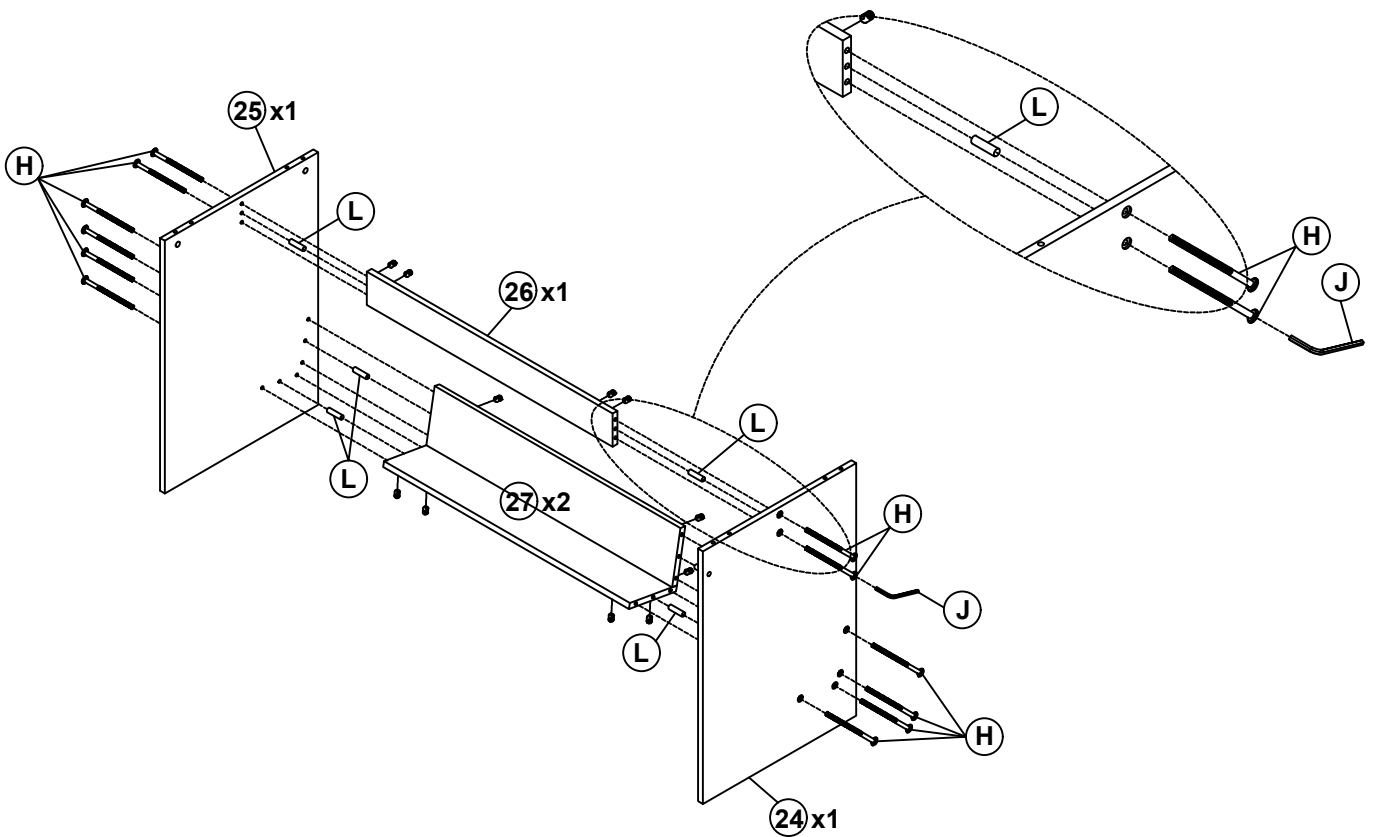
ASSEMBLY INSTRUCTIONS

Step 14





N	Ø 6.5x35		4PCS
----------	----------	---	------

Step 15



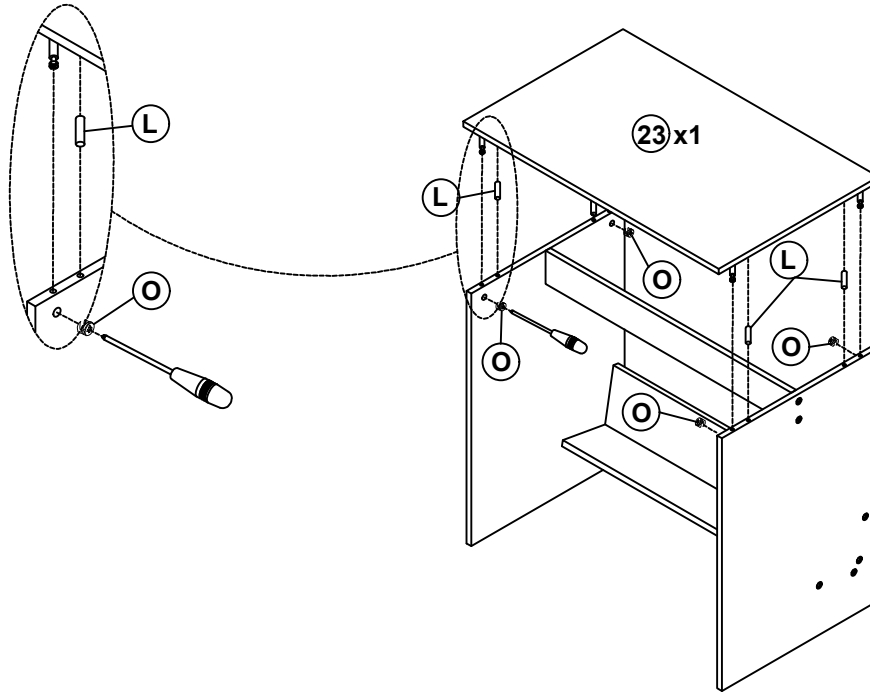
L	Ø8x30		6PCS
----------	-------	---	------



H	1/4x60		12PCS
----------	--------	---	-------

J	4x58		1PC
----------	------	---	-----

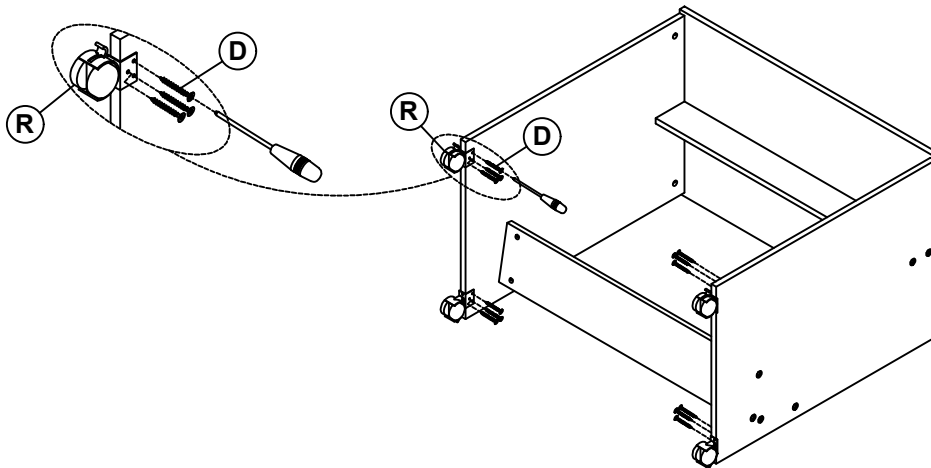
ASSEMBLY INSTRUCTIONS



Step 16



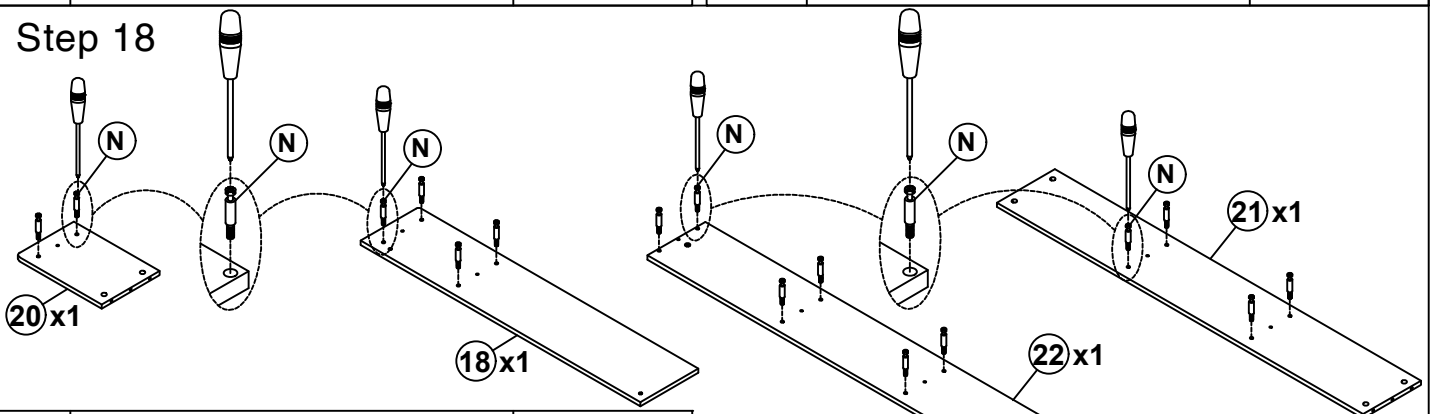
O	Ø15x12		4PCS	L	Ø8x30		4PCS
----------	--------	---	------	----------	-------	---	------

Step 17



D	Ø3.5x12		12PCS	R		4PCS
----------	---------	---	-------	----------	---	------

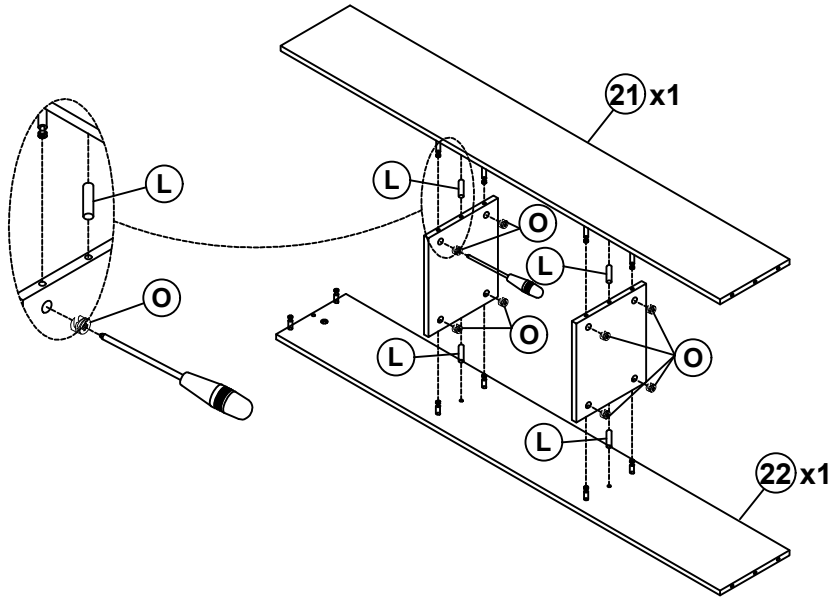
Step 18



N	Ø 6.5x35		16PCS
----------	----------	---	-------

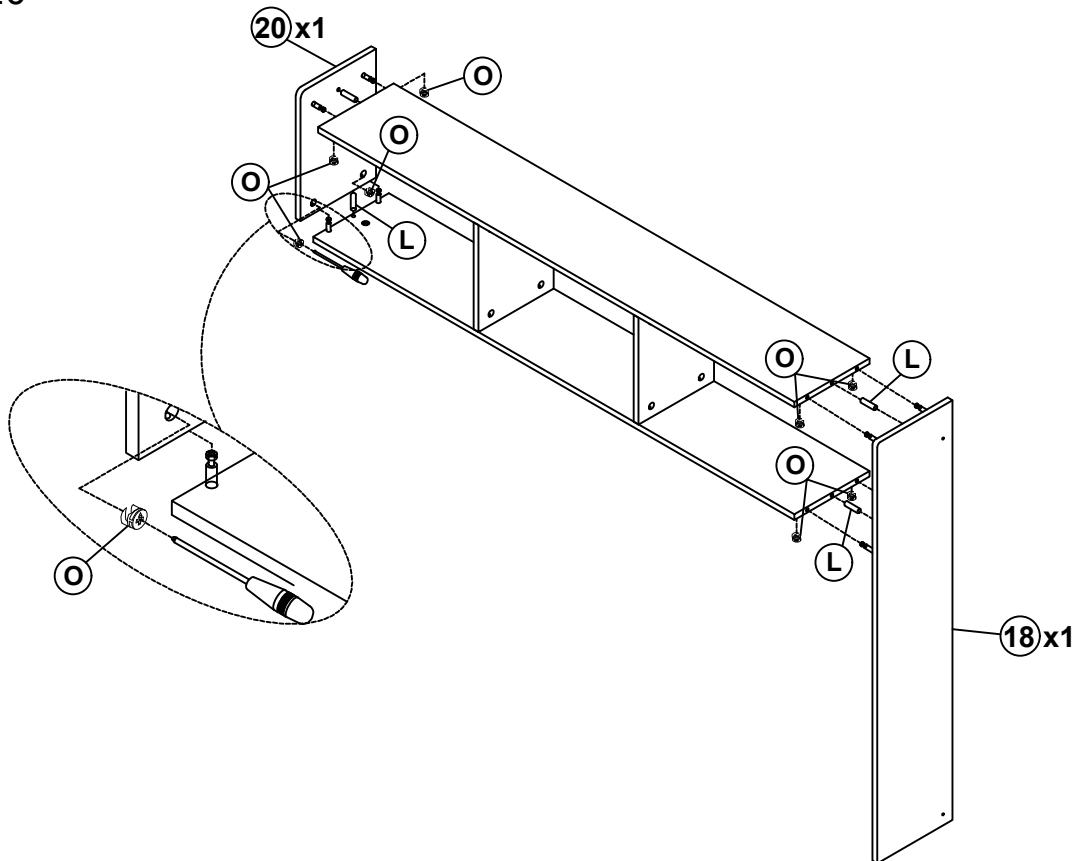
ASSEMBLY INSTRUCTIONS



Step 19



O	Ø15x12		8PCS	L	Ø8x30		4PCS
----------	--------	---	------	----------	-------	---	------

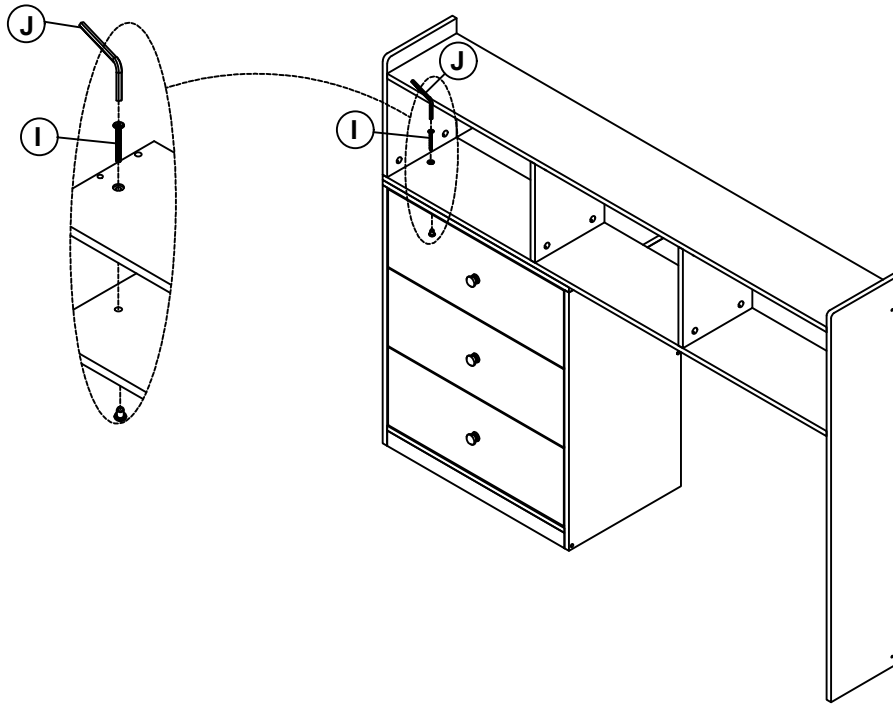
Step 20



O	Ø15x12		8PCS	L	Ø8x30		4PCS
----------	--------	---	------	----------	-------	---	------

ASSEMBLY INSTRUCTIONS

Step 21

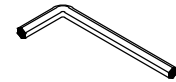


I 1/4x20



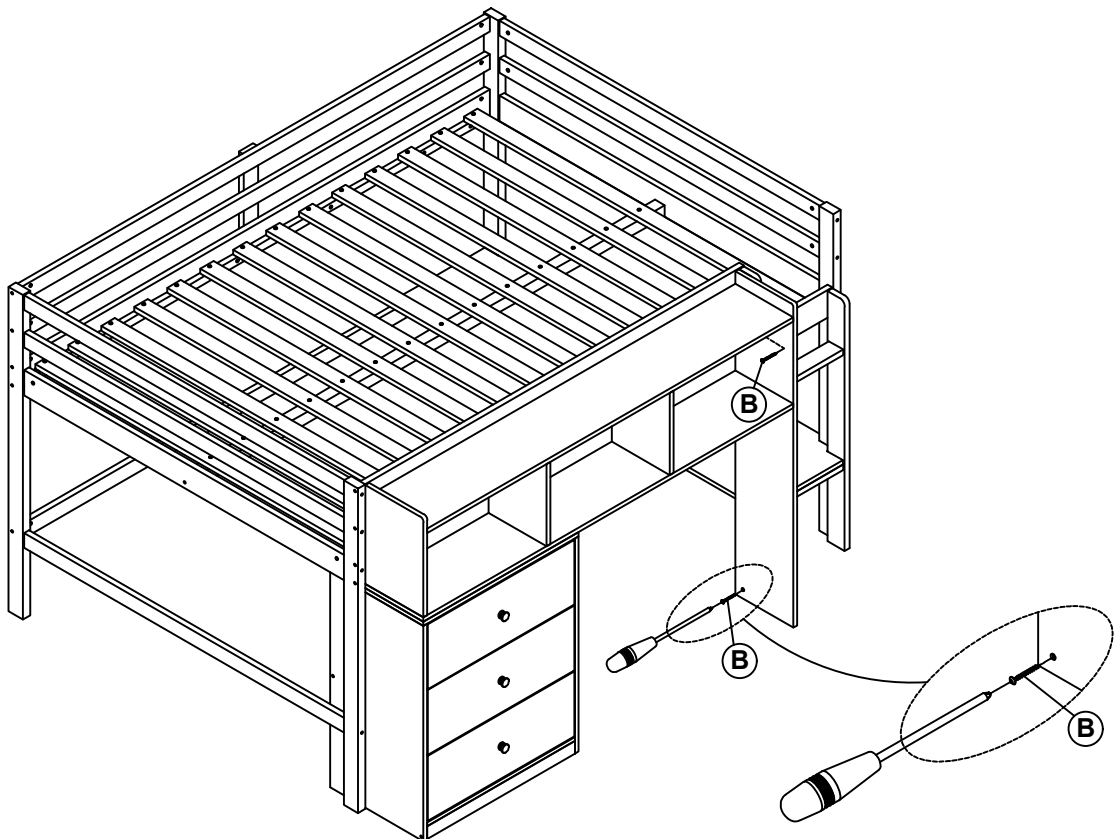
1PC

J 4x58



1PC

Step 22



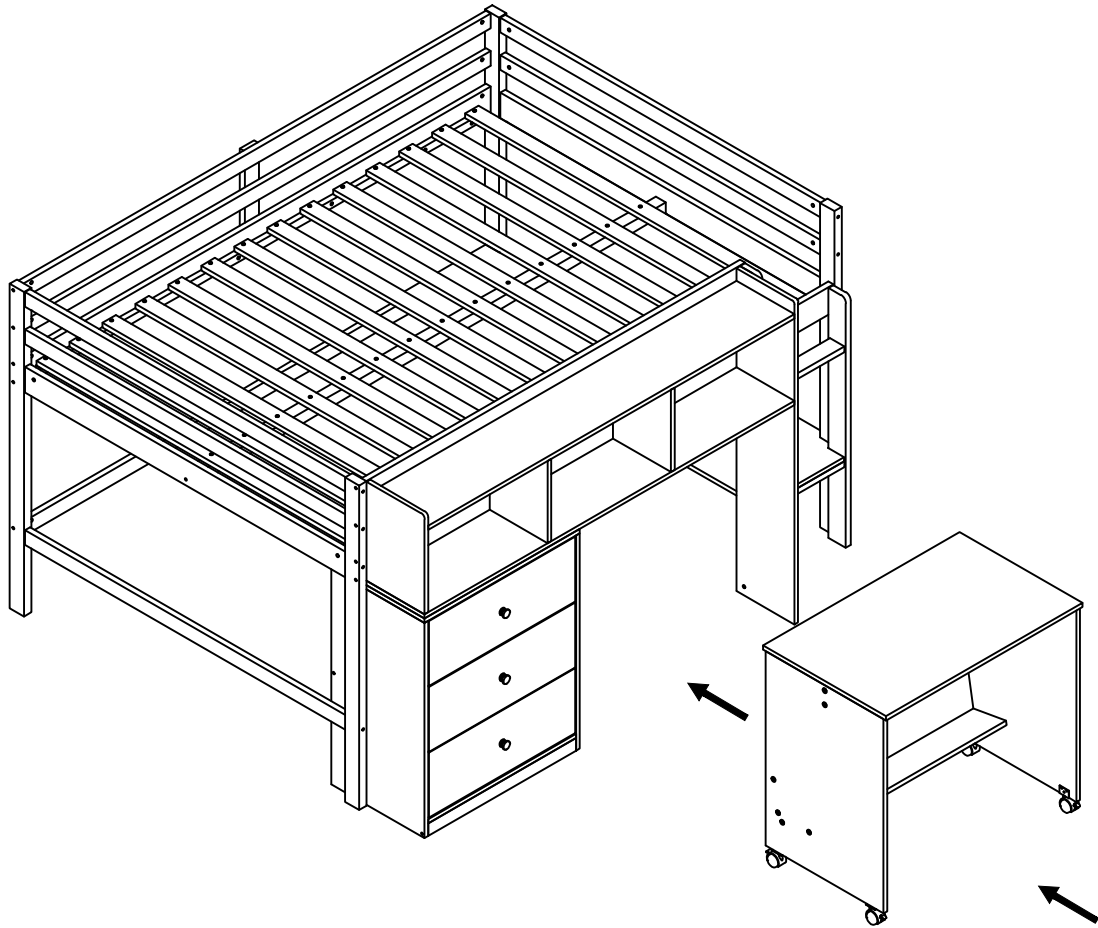
B Ø4x20



2PCS

ASSEMBLY INSTRUCTIONS

Step 23



ASSEMBLY INSTRUCTIONS

Step 24

