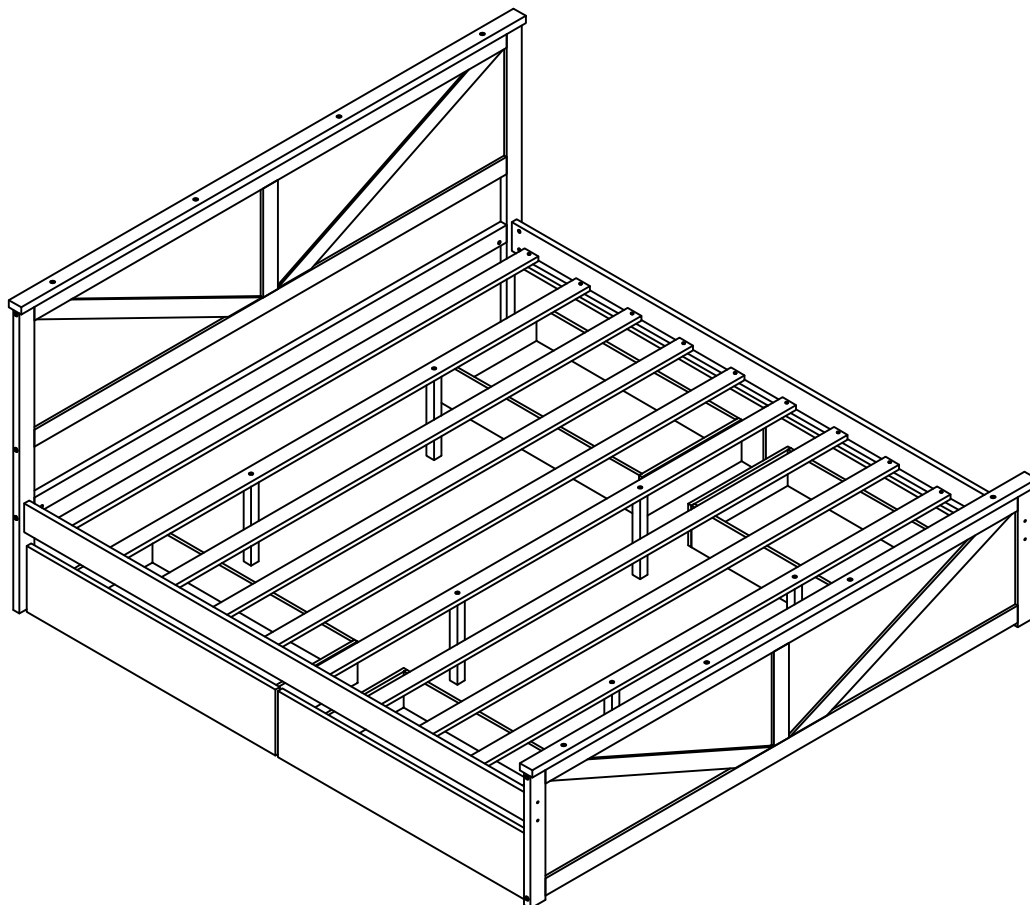


ASSEMBLY INSTRUCTION

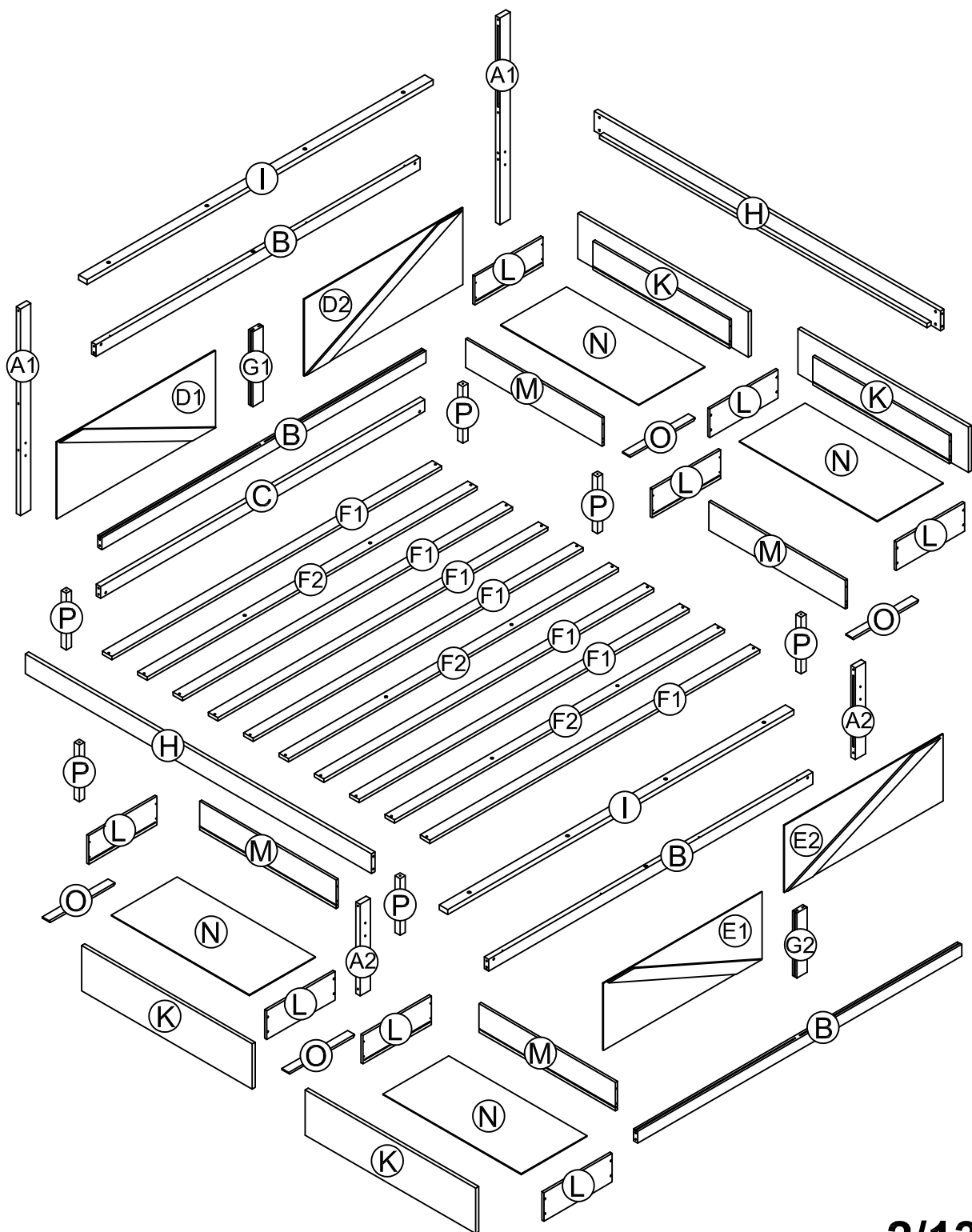
SKU CODE: (WF295529-WF295530)



! SAFETY WARNINGS !

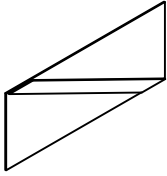
1. This bed is designed for use Queen Mattress 80 inch Long and 76 inch Wide
2. Always use the recommended size mattresses or mattress supports, or both, to help prevent the likelihood of entrapment or falls.
3. Do not allow horseplay on or under the bed and prohibit jumping on the bed
4. Do not use substitute parts. Contact the manufacturer or dealer for replacement parts.
5. Keep these instructions for future reference

ASSEMBLY INSTRUCTION



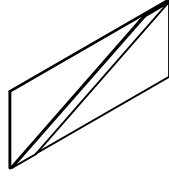
Part List (WF295529)

D1



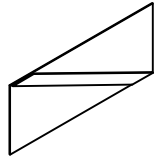
Font Panels Right- 1pcs

D2



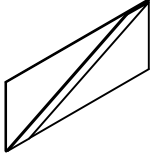
Font Panels Left - 1pcs

E1



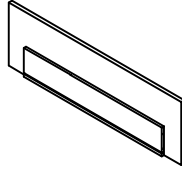
Back Panels Right - 1pcs

E2



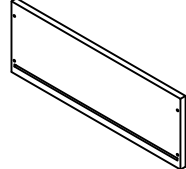
Back Panels Left - 1pcs

K



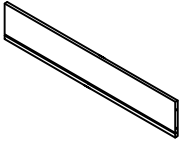
Drawers - Front Panels - 4pcs

L



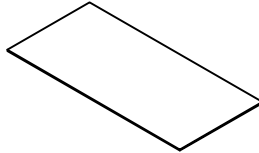
Drawers - Side Panels - 8pcs

M



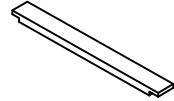
Drawers - Back Panels - 4pcs

N



Drawers - Bottom Panels - 4pcs

O

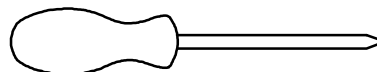


Drawers - Support Bottom - 4pcs

P



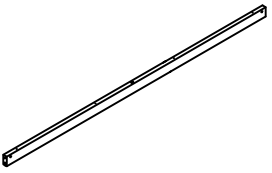
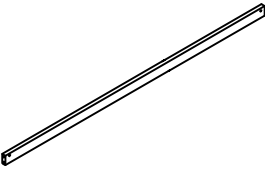
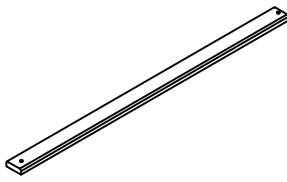
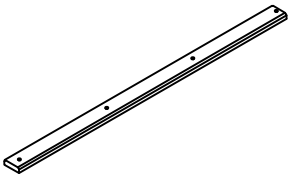


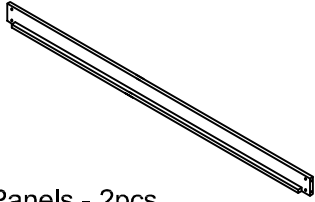
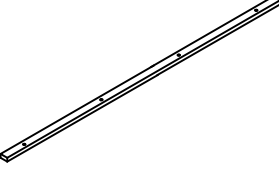


Support Leg - 6pcs

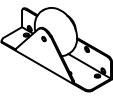



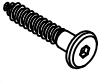









Assembly Tools Required (Not Included)




Part List (WF295530)

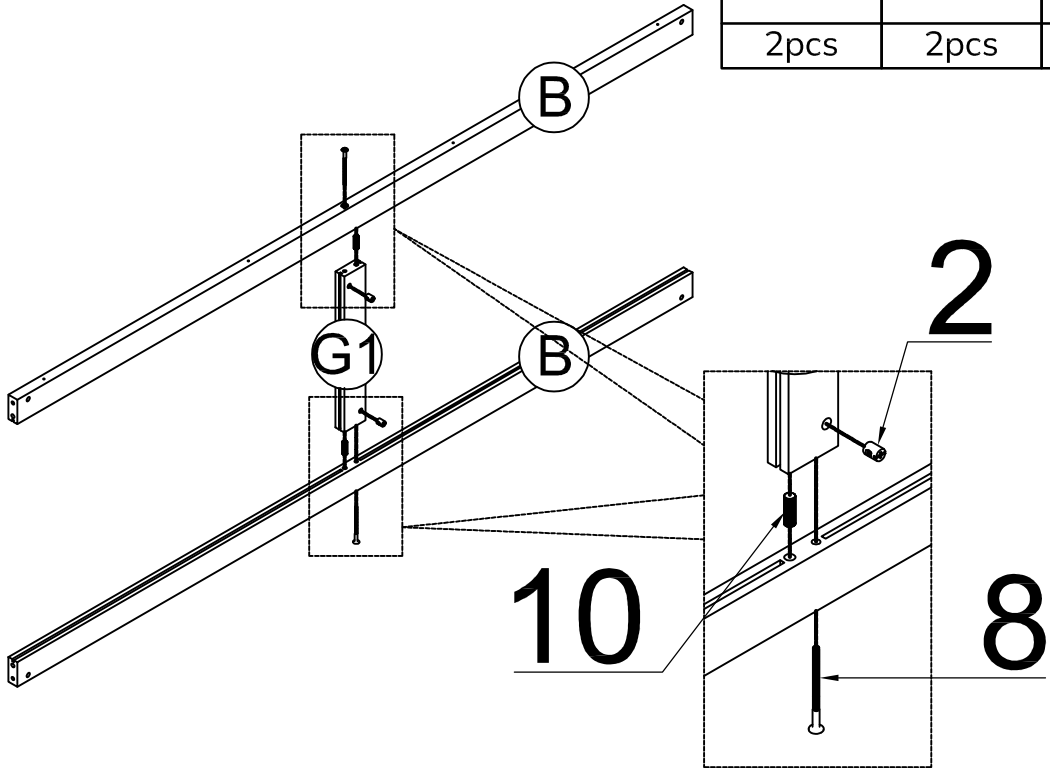
<p>A1</p>  <p>Font Legs - 2pcs</p>	<p>A2</p>  <p>Back Legs - 2pcs</p>	<p>B</p>  <p>Horizontal Bars - 4pcs</p>
<p>C</p>  <p>Horizontal Bars - 1pcs</p>	<p>F1</p>  <p>Slats - 7pcs</p>	<p>F2</p>  <p>Slats Mount Leg- 3pcs</p>
<p>G1</p>  <p>Vertical Bar - 1pcs</p>	<p>G2</p>  <p>Vertical Bar - 1pcs</p>	<p>H</p>  <p>Side Panels - 2pcs</p>
<p>I</p>  <p>Horizontal Bars - 2pcs</p>		

Hardware List (WF295530)

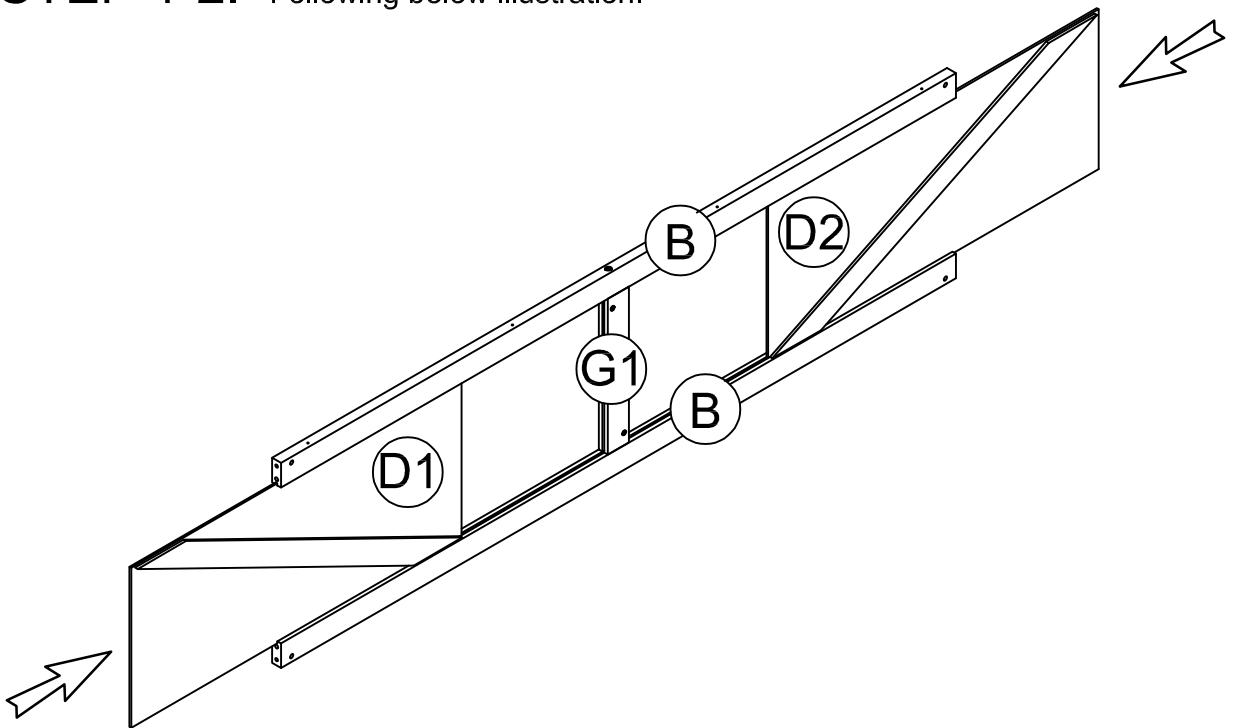
<p>1</p>  <p>Wheels 16pcs</p>	<p>2</p>  <p>Ø11.5 x 15 mm Horizontal-Hole bolts-22</p>	<p>3</p>  <p>M4 x 15 mm Wood Screws 40pcs</p>
<p>4</p>  <p>M4 x 30 mm Wood Screws 52pcs</p>	<p>5</p>  <p>Ø1/4"x40 mm Wood Screws 8pcs</p>	<p>6</p>  <p>Ø1/4" x 25 mm Hex-Head bolts 6pcs</p>
<p>7</p>  <p>Ø1/4" 60mm Hex-Head bolts 8pcs</p>	<p>8</p>  <p>Ø1/4" 90mm Hex-Head bolts 4pcs</p>	<p>9</p>  <p>Ø1/4" 100mm Hex-Head bolts 10pcs</p>
<p>10</p>  <p>Ø10 x 30 mm Wood dowel 14pcs</p>	<p>11</p>  <p>Allen Key 1pcs</p>	<p>12</p>  <p>Plastic Drawer Stopper 8 pcs</p>

STEP 1-1: Following below illustration:




2 	8 	10 
2pcs	2pcs	2pcs

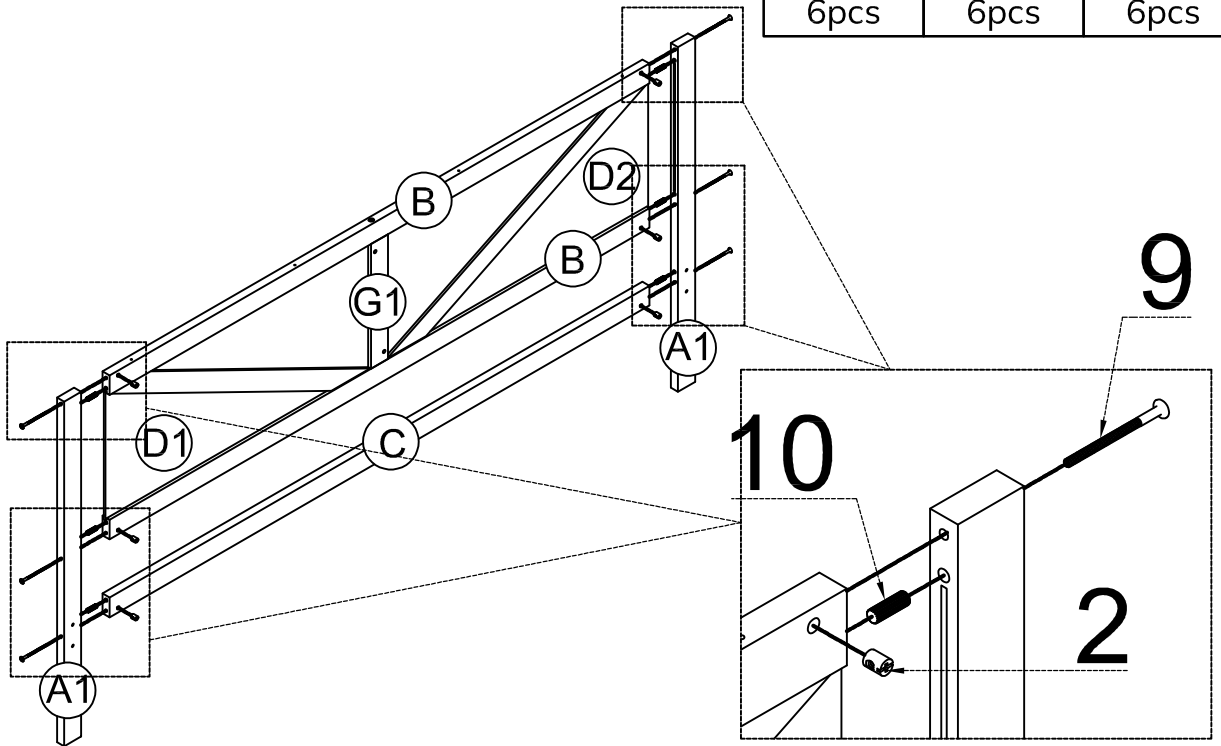


STEP 1-2: Following below illustration:




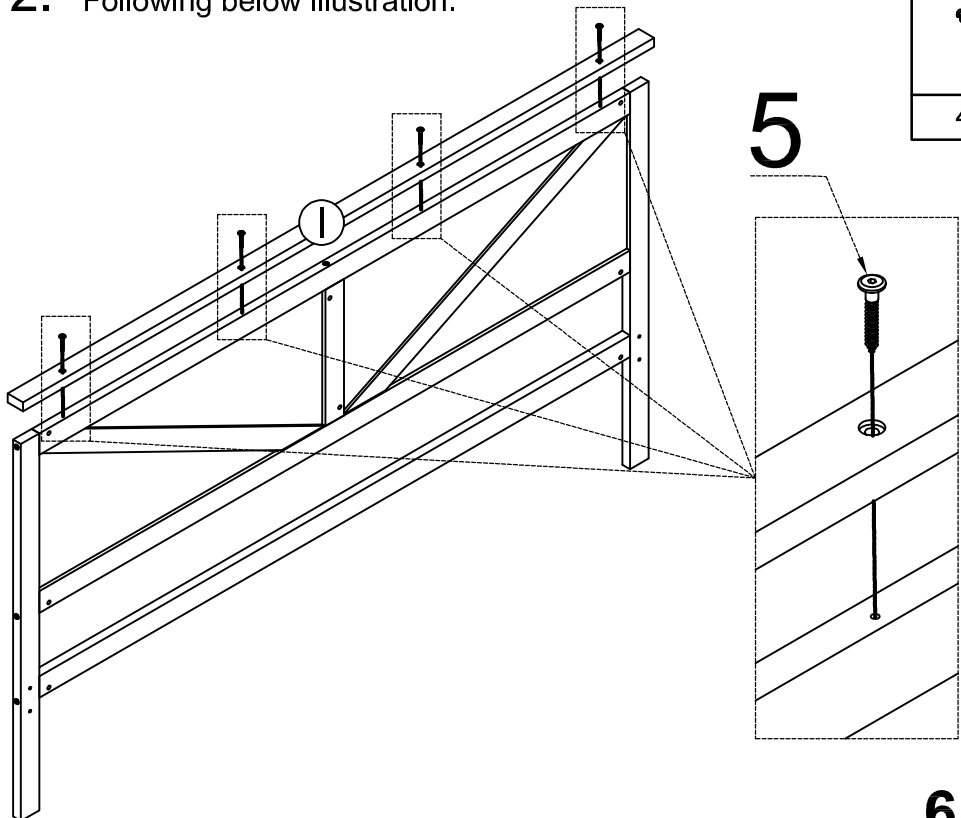
STEP 2-1: Following below illustration:

2 	9 	10 
6pcs	6pcs	6pcs






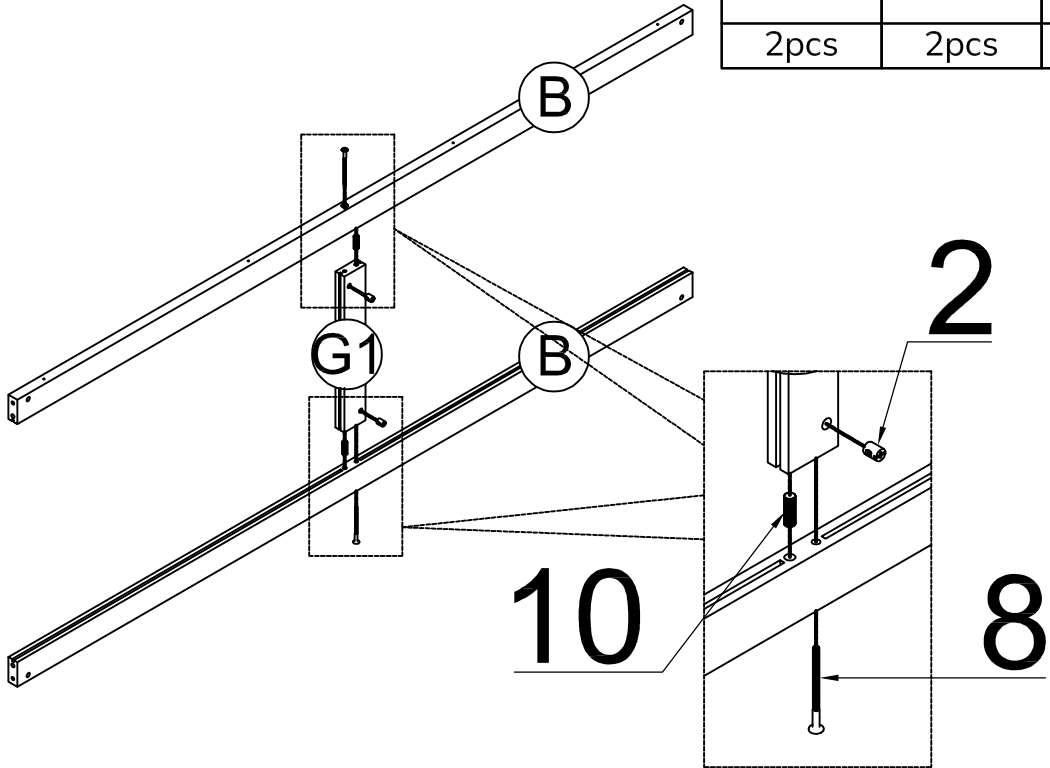
STEP 2-2: Following below illustration:

5 
4pcs

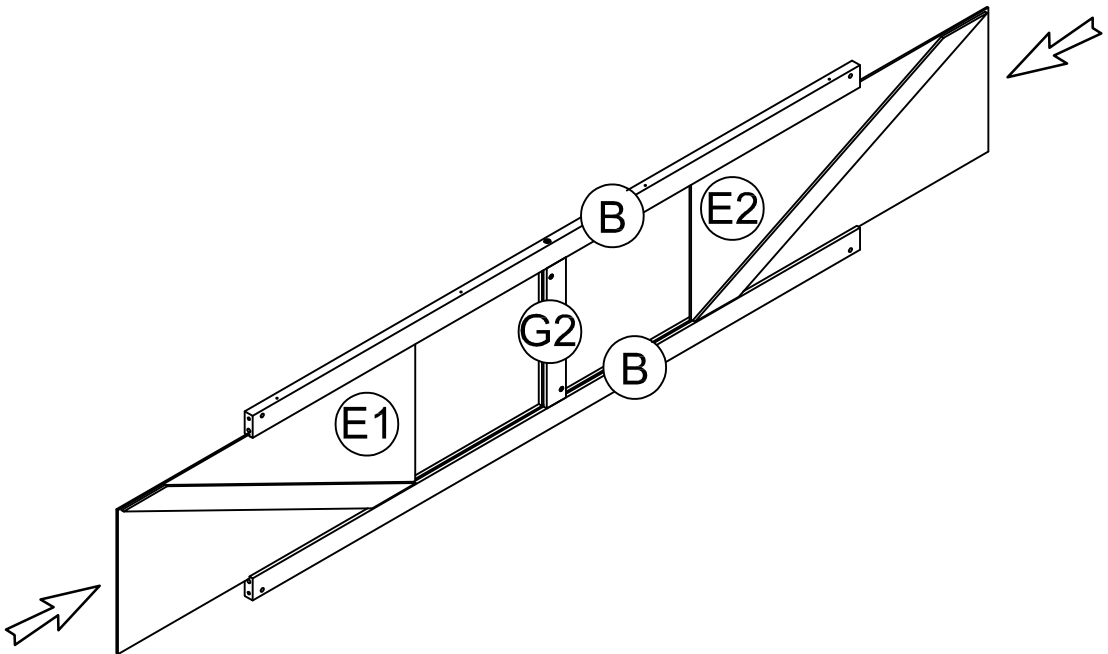


STEP 3-1: Following below illustration:




2 	8 	10 
2pcs	2pcs	2pcs

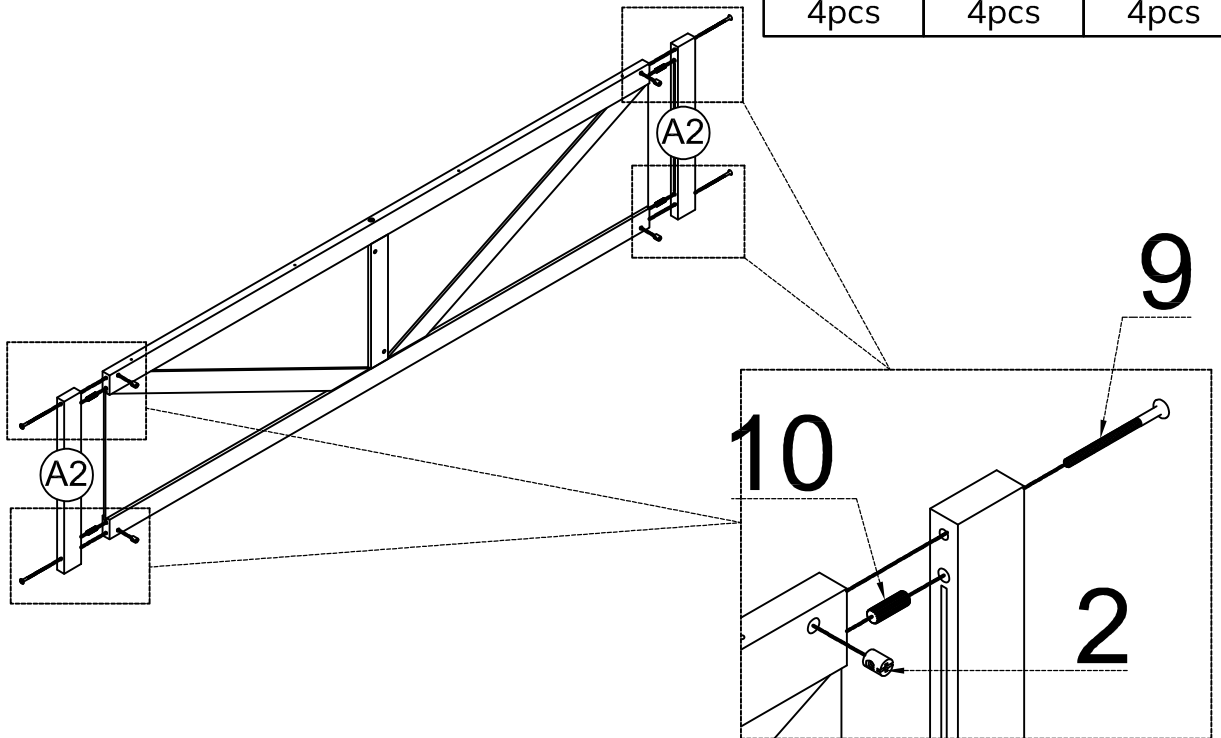


STEP 3-2: Following below illustration:




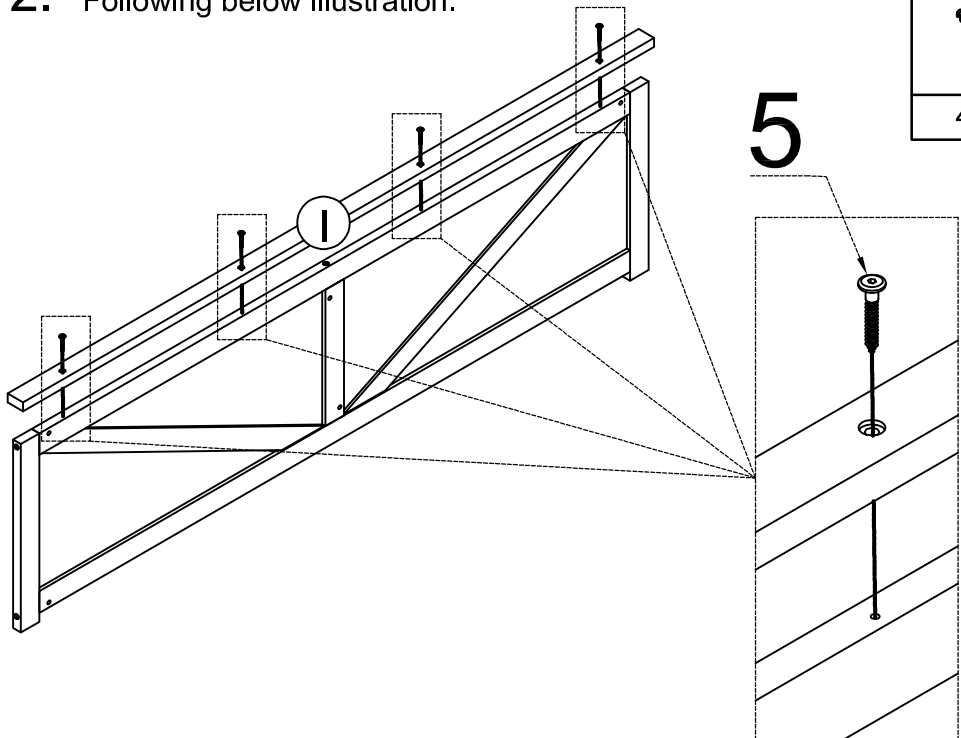
STEP 4-1: Following below illustration:

2 	9 	10 
4pcs	4pcs	4pcs

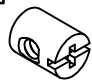



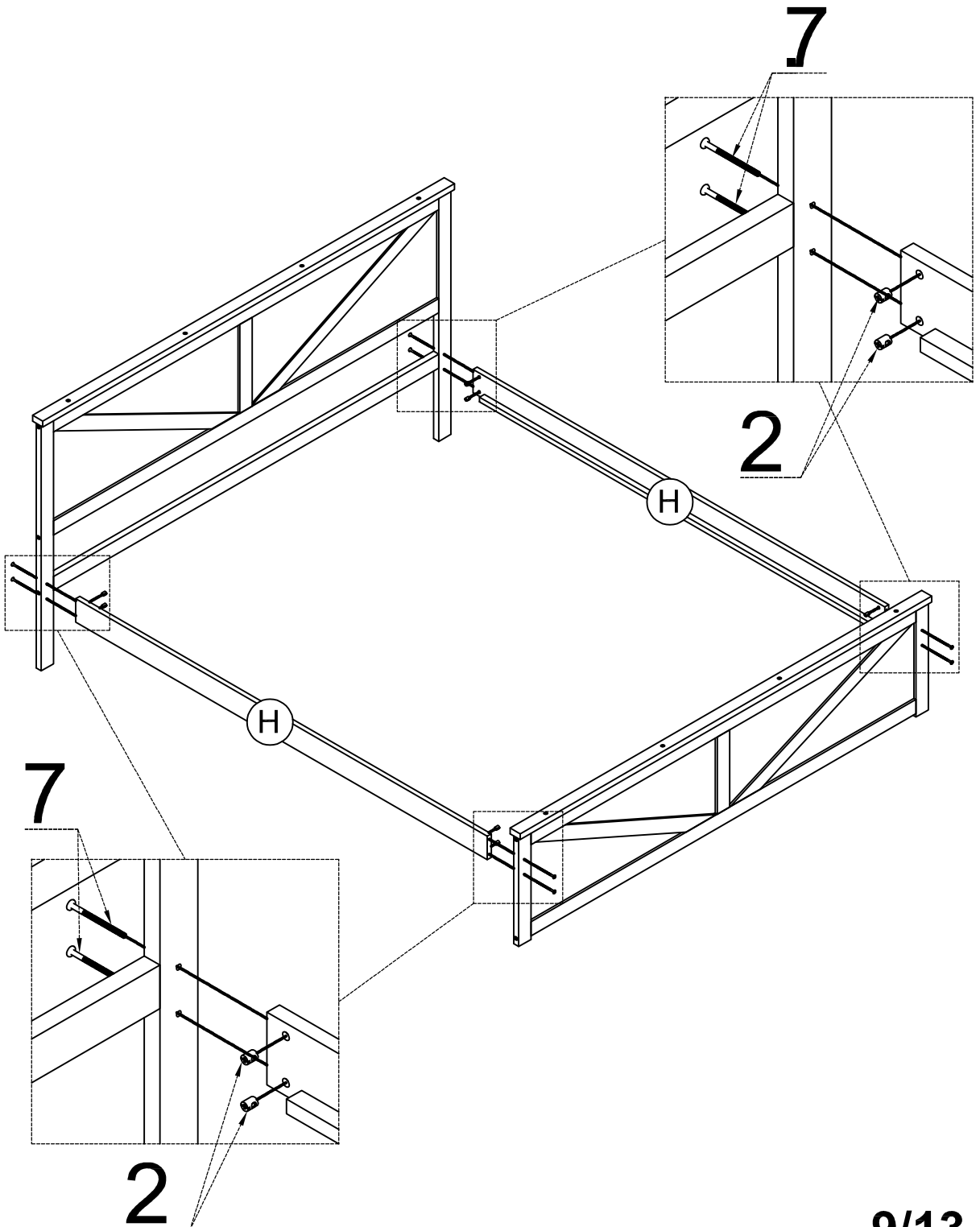
STEP 4-2: Following below illustration:

5 
4pcs

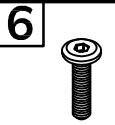
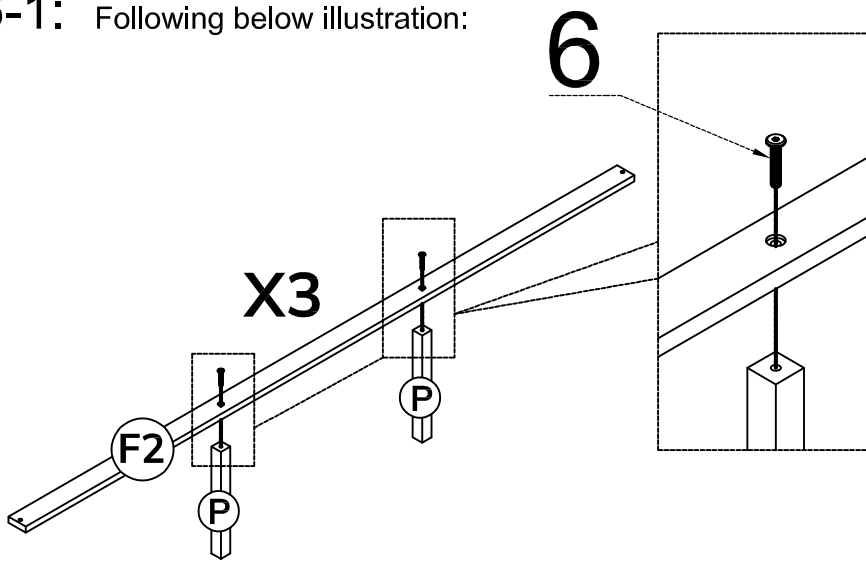


STEP 5: Following below illustration:

2 	7 
8pcs	8pcs

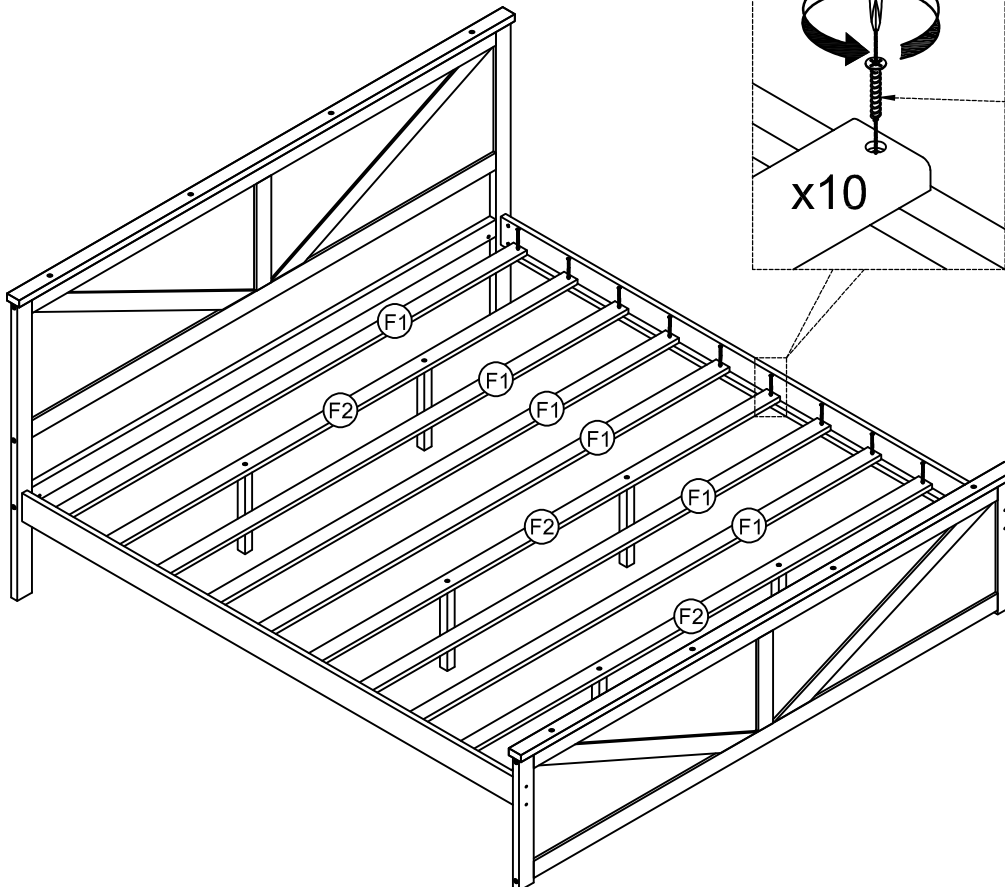


STEP 6-1: Following below illustration:



6pcs

STEP 6-2: Following below illustration:



20pcs

4

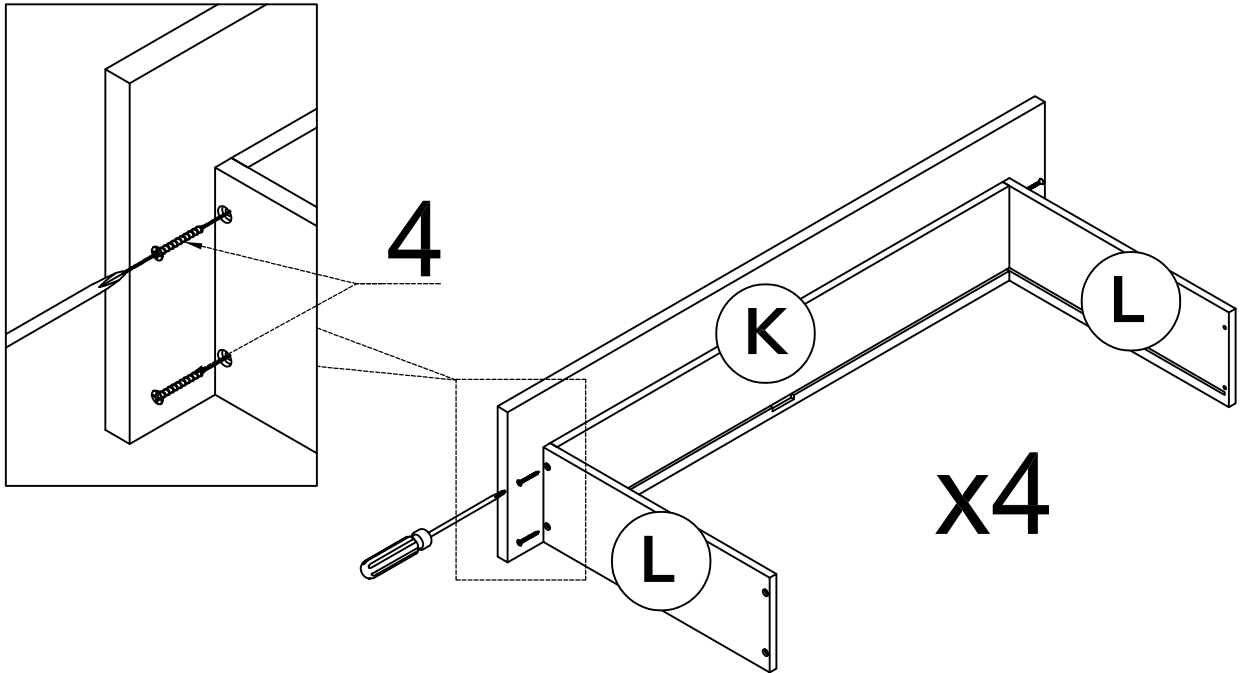
x10

STEP 7-1: Following below illustration:

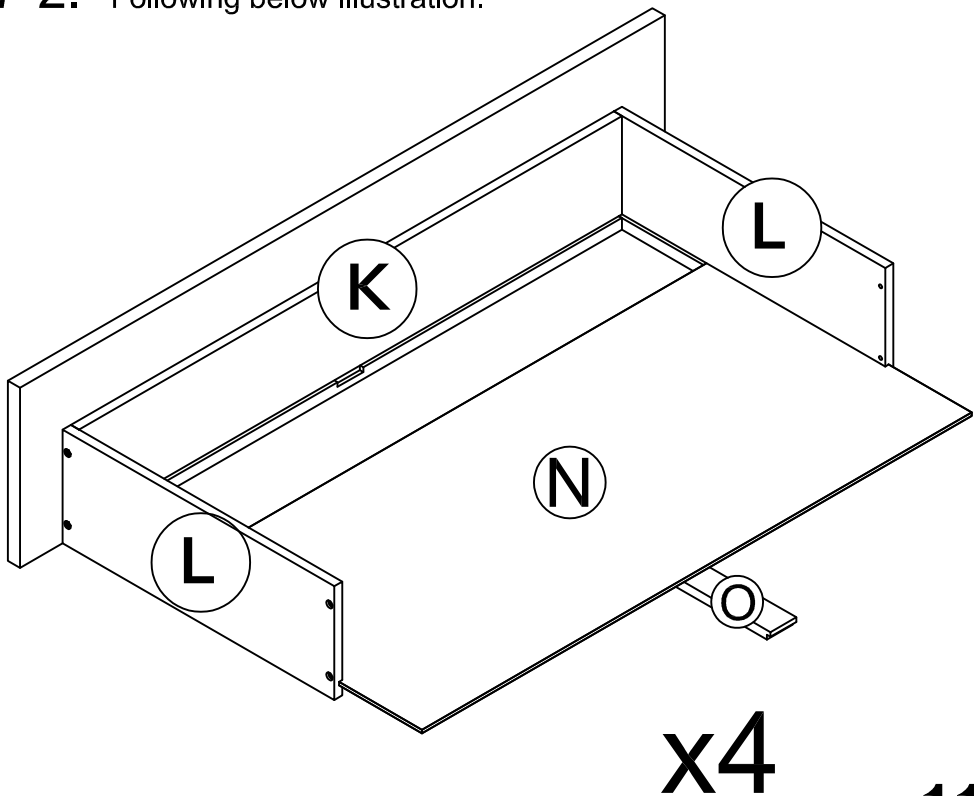
4



16pcs




STEP 7-2: Following below illustration:

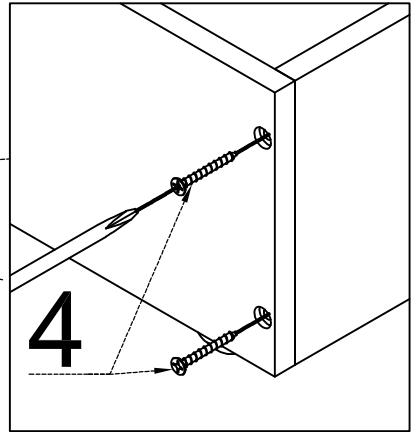
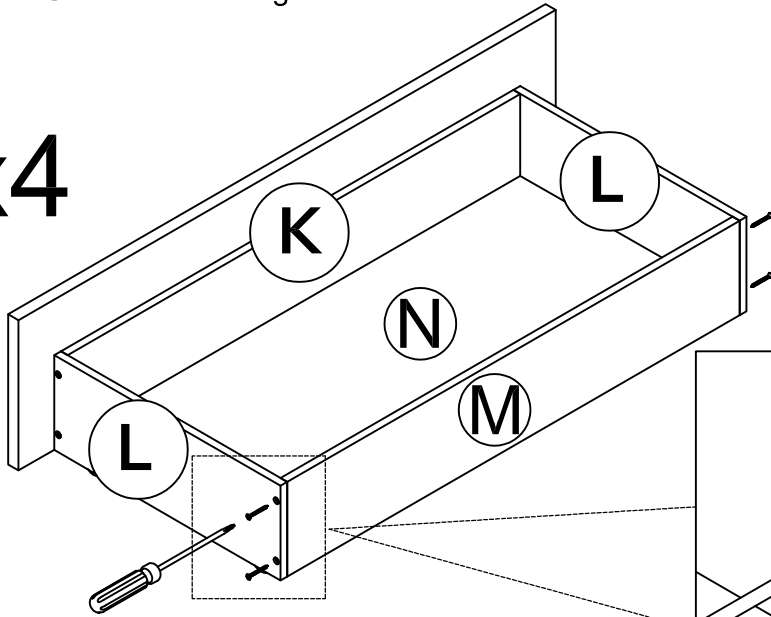


11/13



STEP 8-1: Following below illustration:

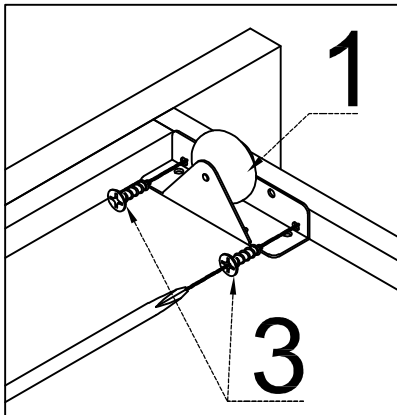
4	
16pcs	

x4

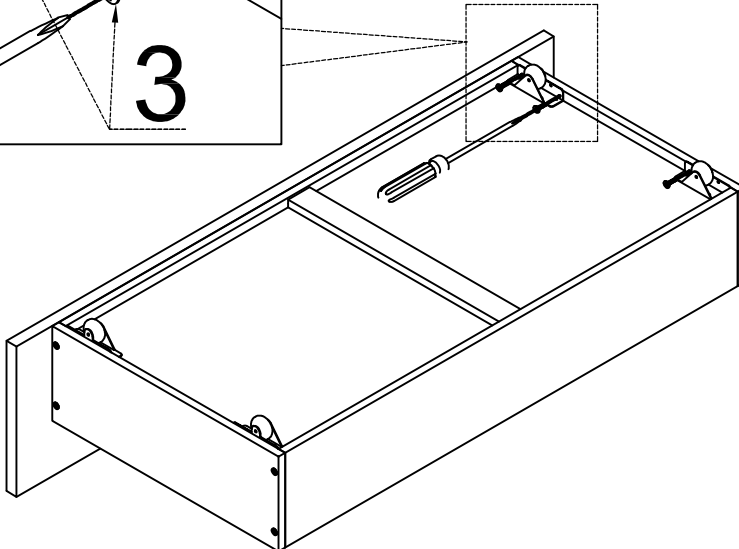


STEP 8-2: Following below illustration:

1		3	
16pcs		32pcs	



x4



12

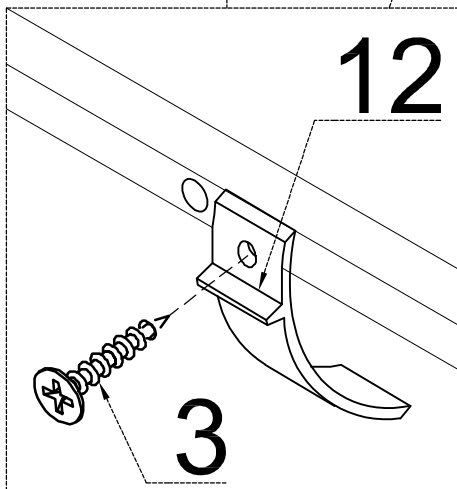
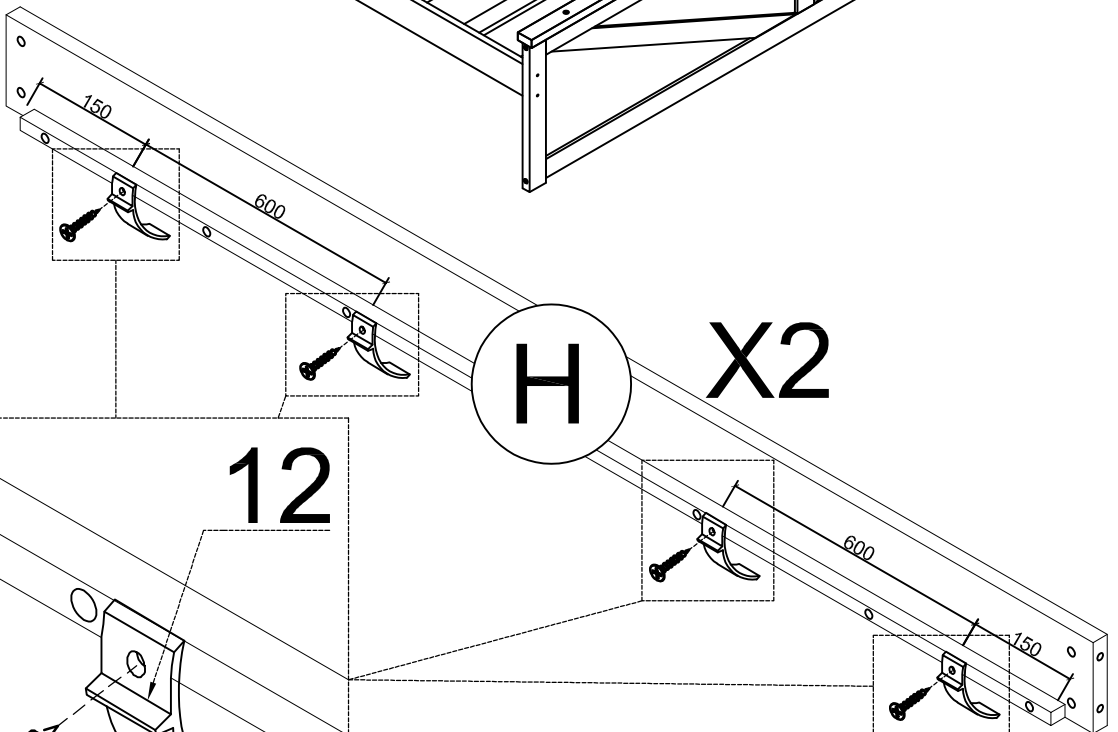
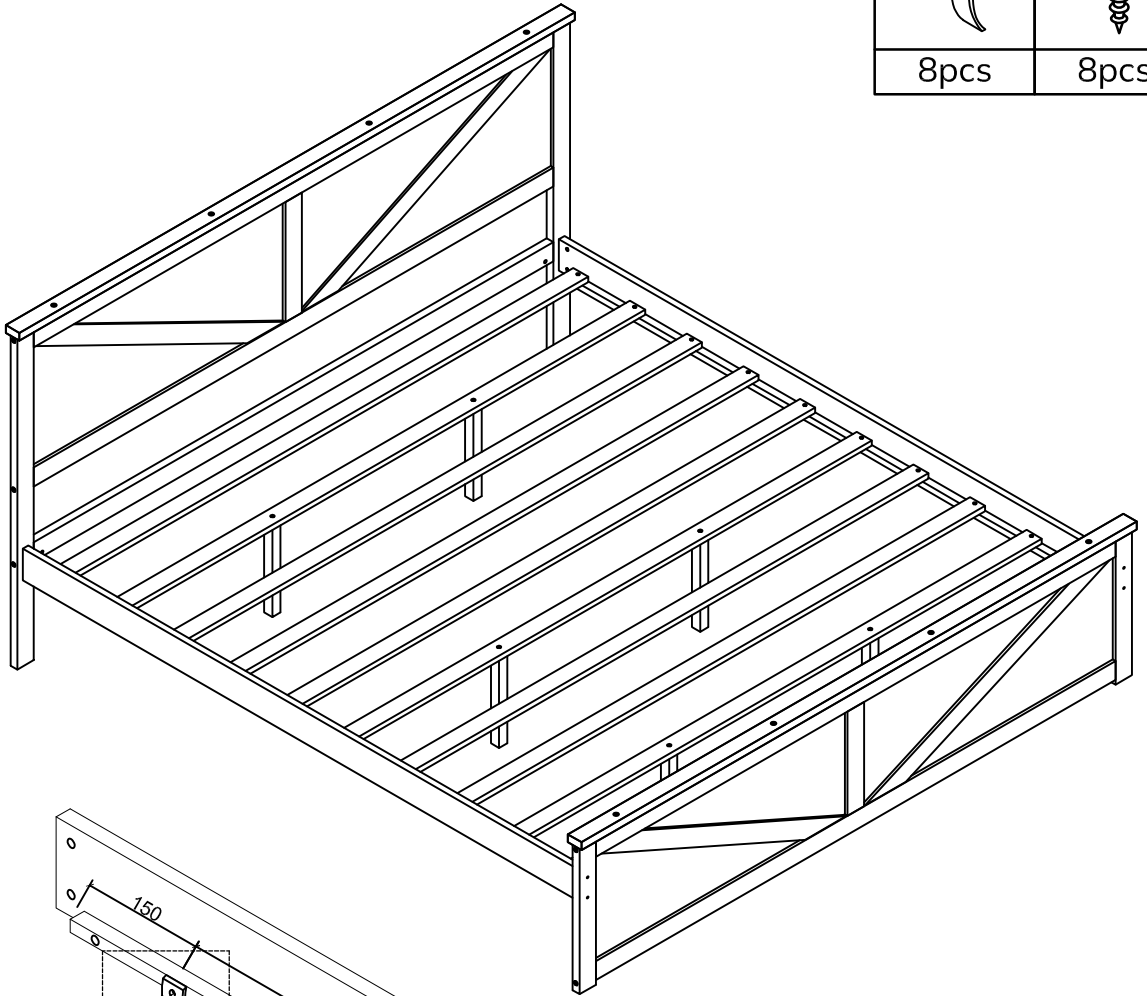


8pcs

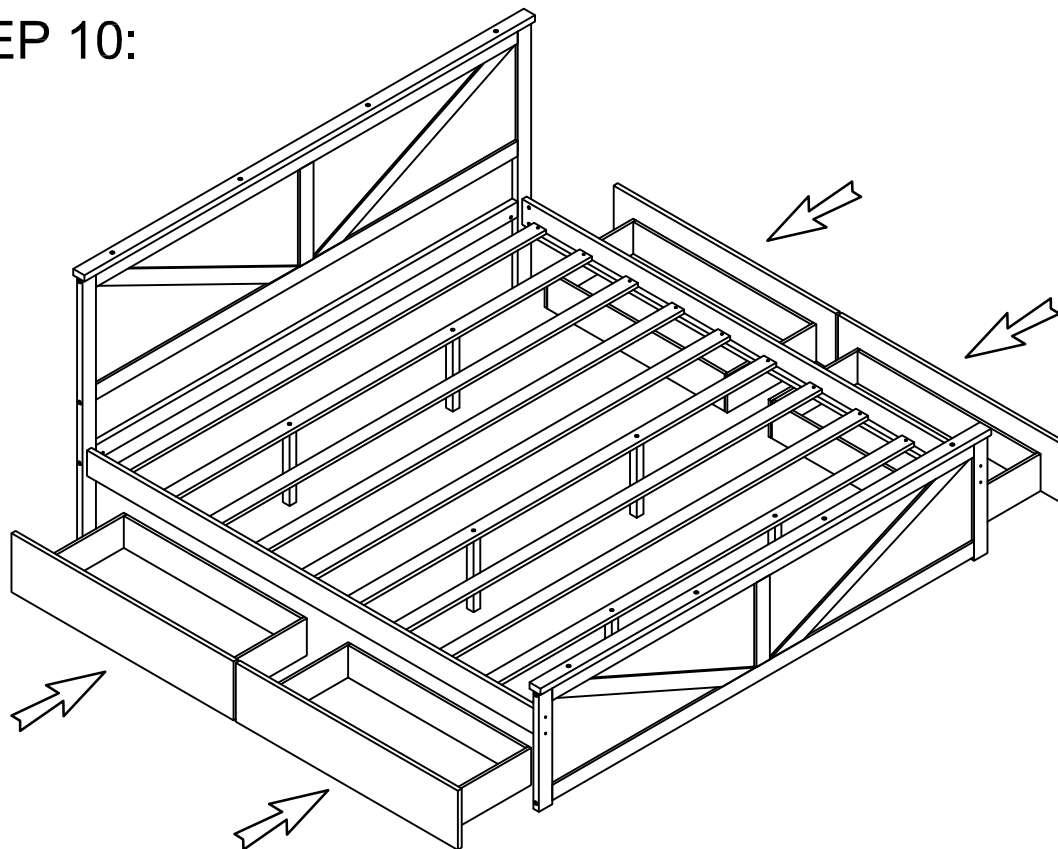
3



8pcs



STEP 10:



FINISH

