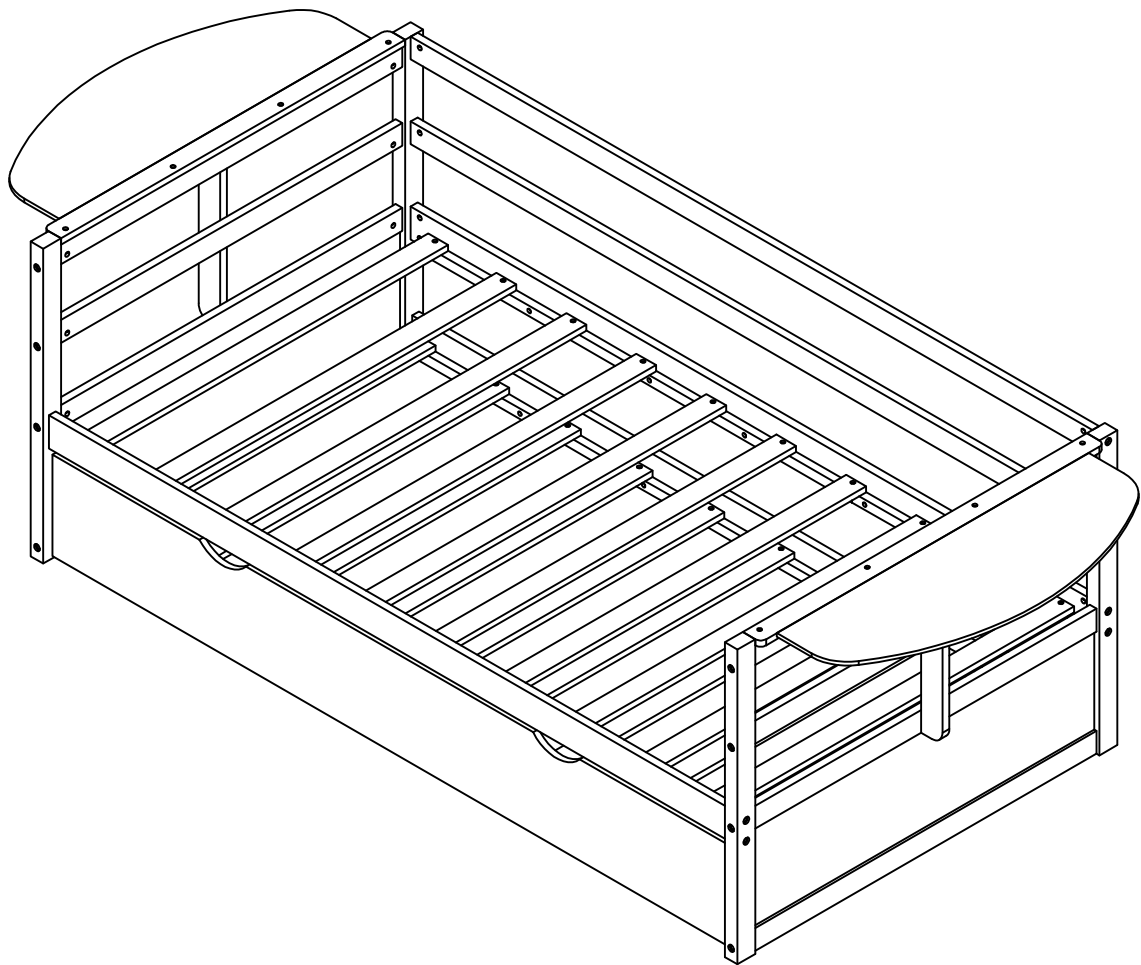
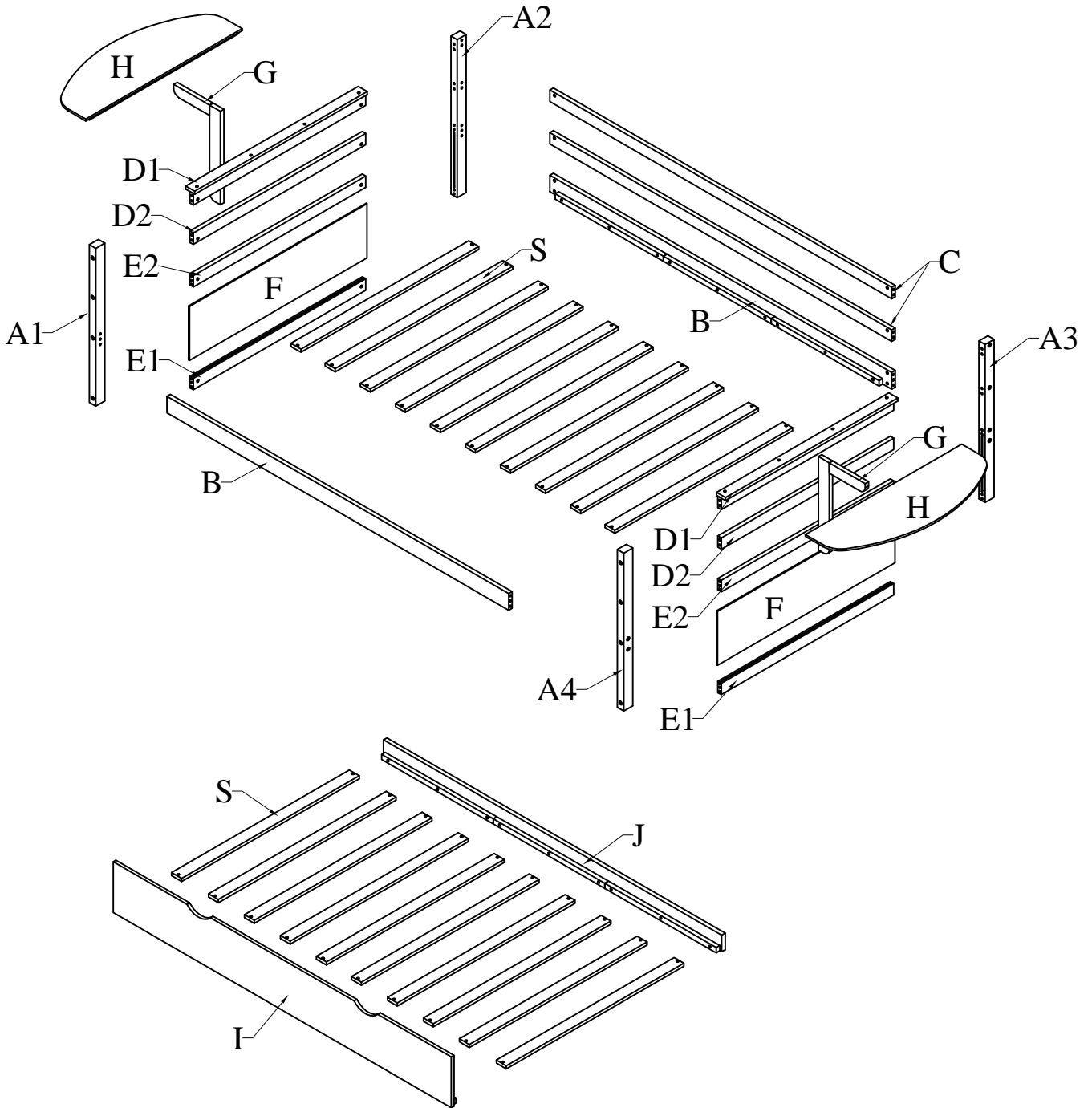


ASSEMBLY INSTRUCTIONS

ITEM CODE: WF296485



DETAIL VIEW



BOX: WF296485

A1



Front leg - left (1pc)

A2



Back leg - left (1pc)

A3



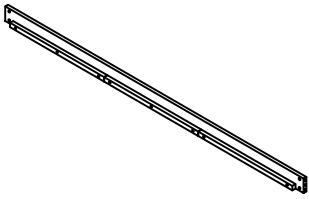
Back leg - right (1pc)

A4



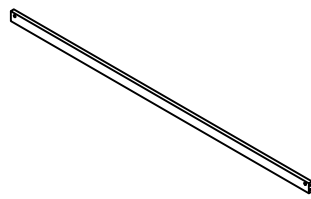
Front leg - right (1pc)

B



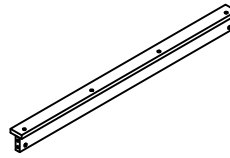
Side rail (2pcs)

C



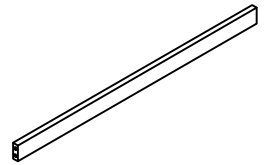
Guardrail (2pcs)

D1



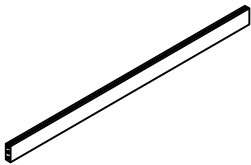
Horizontal rail - top (2pcs)

D2



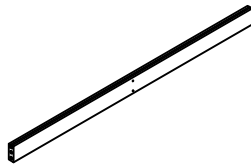
Horizontal rail - middle (2pcs)

E1



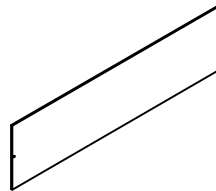
Horizontal rail - middle (2pcs)

E2



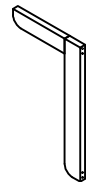
Horizontal rail - bottom (2pcs)

F



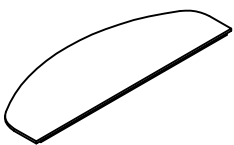
Side panel - (2pcs)

G



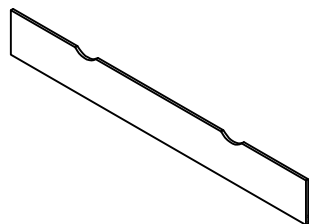
Support top table (2pcs)

H



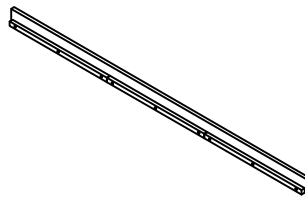
Top table - (2pcs)

I



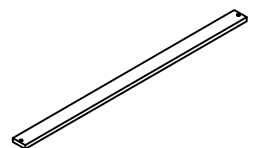
Front - trundle (1pc)

J



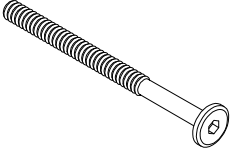
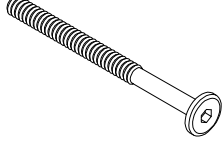

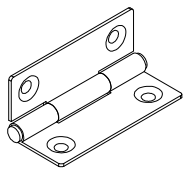
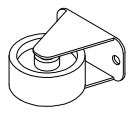



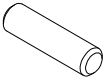
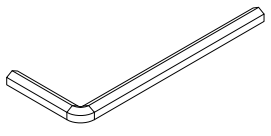
Back - trundle (1pc)

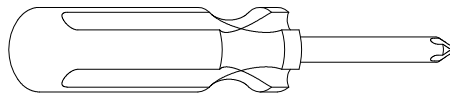
S



Slats (20pcs)

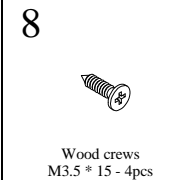
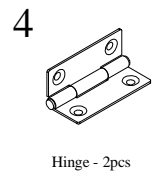
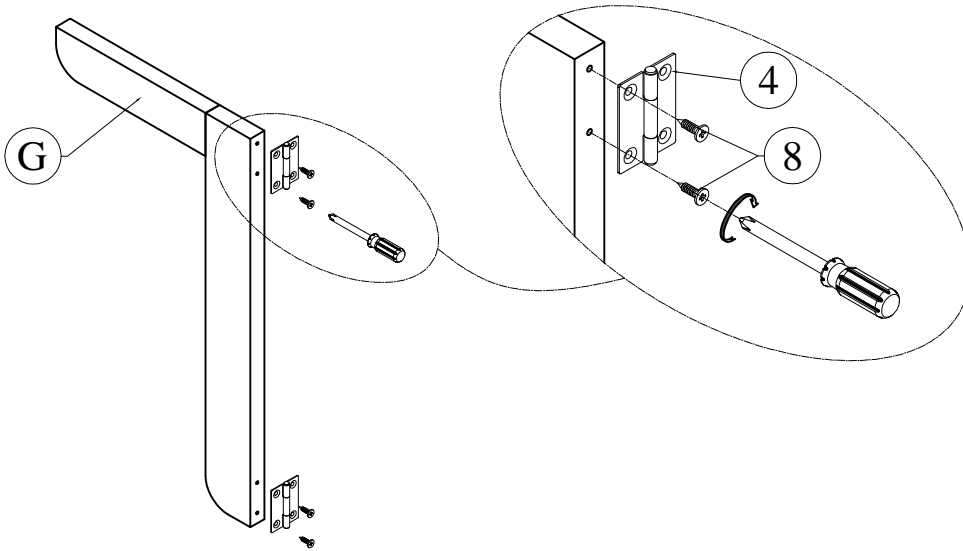
HARDWARE LIST: WF296485

<p>1</p>  <p>Hex - Head bolts Ø1/4" * 90 - 16pcs</p>	<p>2</p>  <p>Hex - Head bolts Ø1/4" * 80 - 12pcs</p>	<p>3</p>  <p>Horizontal - Hold bolts Ø1/4" - 28pcs</p>	<p>4</p>  <p>Hinge - 8pcs</p>
<p>5</p>  <p>Wheel - 4pcs</p>	<p>6</p>  <p>L Metal - 4pcs</p>	<p>7</p>  <p>Wood crews M4 * 25 - 40pcs</p>	<p>8</p>  <p>Wood crews M3.5 * 15 - 48pcs</p>
<p>9</p>  <p>Wood dowel Ø8 * 30 - 24pcs</p>	<p>10</p>  <p>Allen key K4 - 1pc</p>		

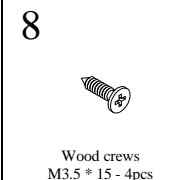
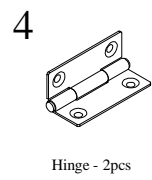
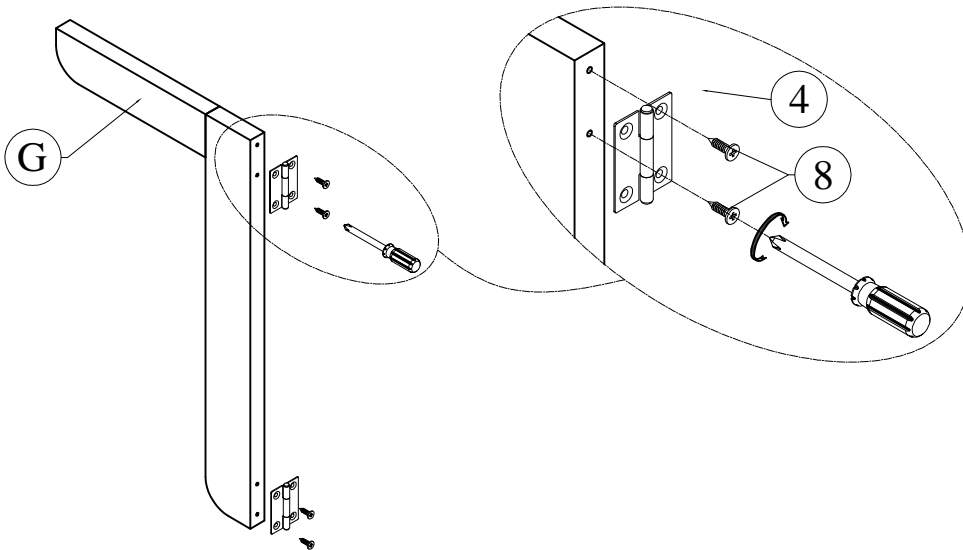


Assembly Tools Required (Not Included)

STEP 1

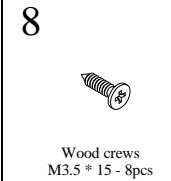
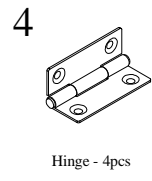
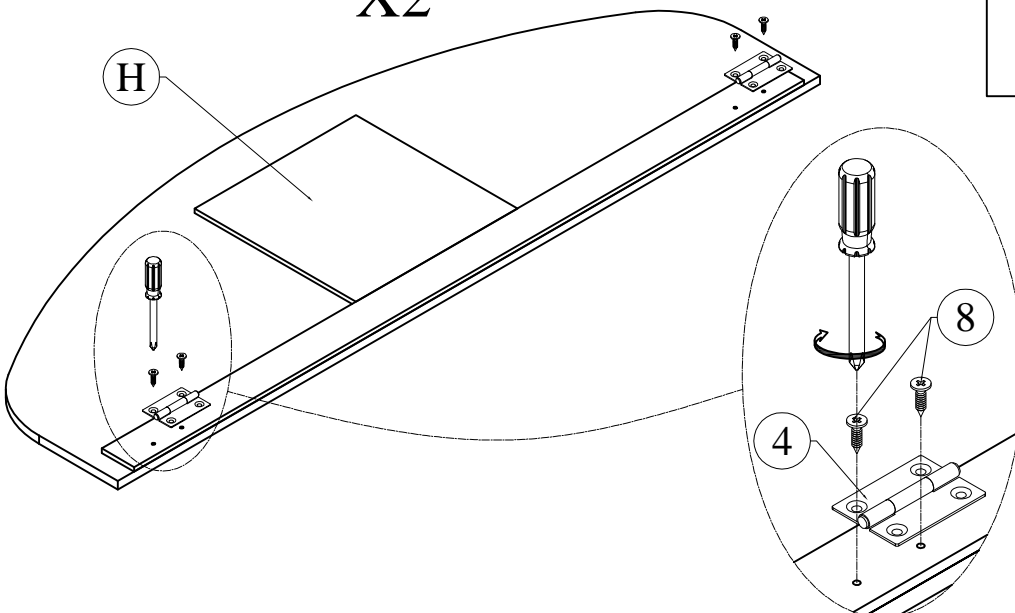


STEP 2

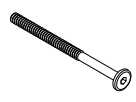




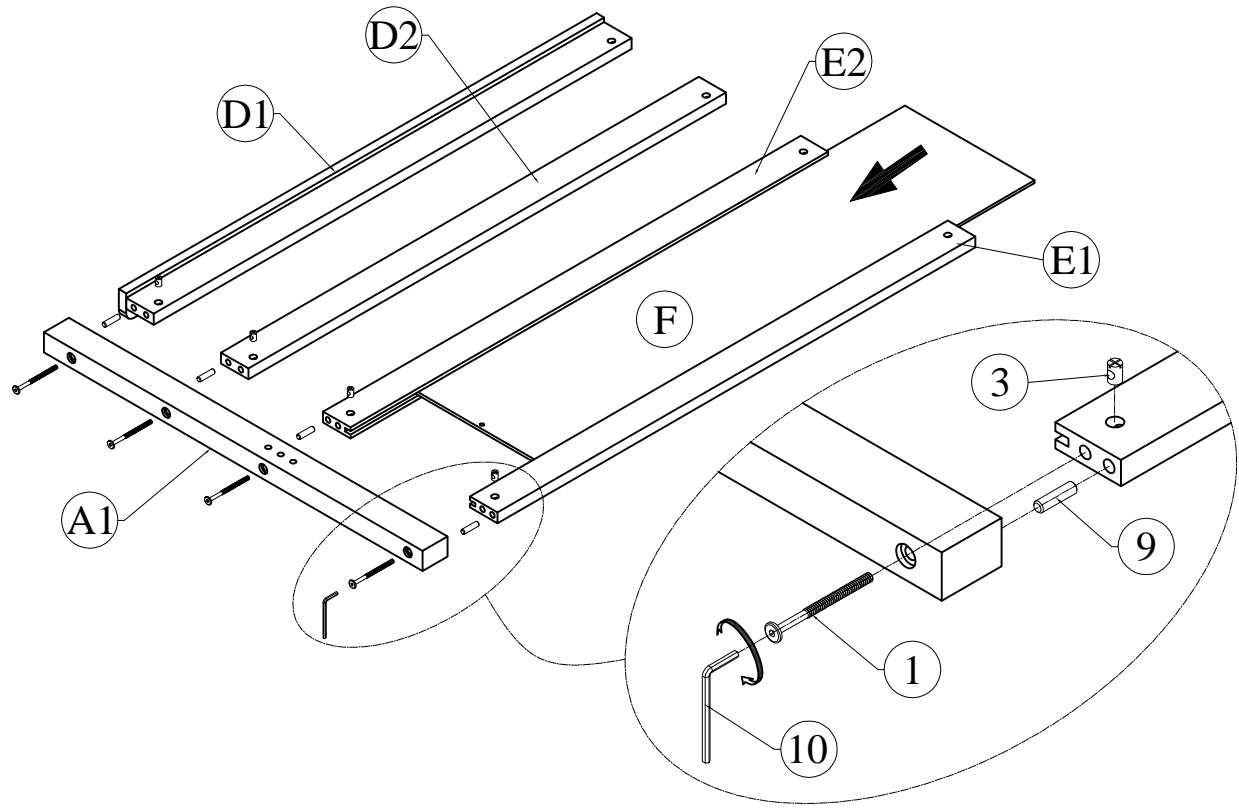
STEP 3

X2

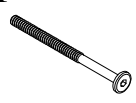




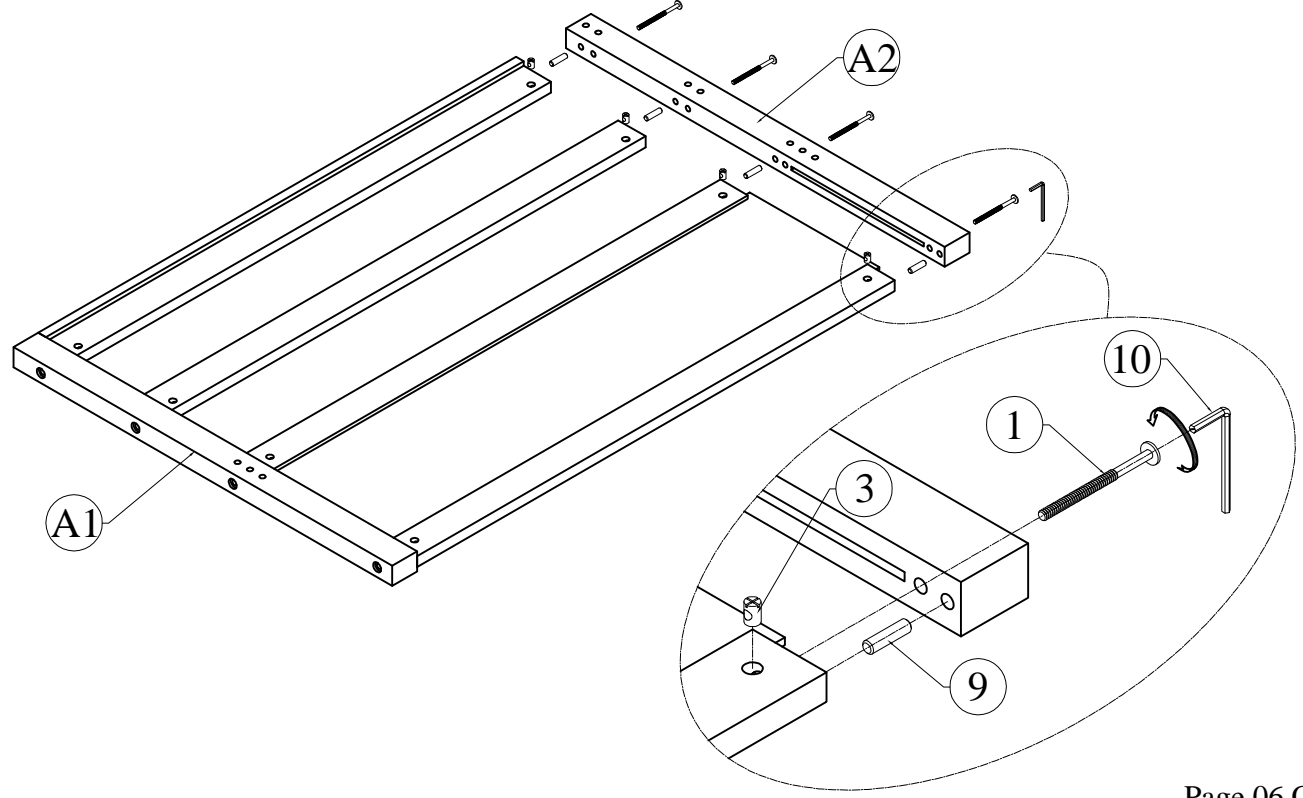
STEP 4

<p>1</p>  <p>Hex - Head bolts Ø1/4" * 90- 4pcs</p>	<p>3</p>  <p>Horizontal - Hold bolts Ø1/4" - 4pcs</p>	<p>9</p>  <p>Wood dowel Ø8 * 30 - 4pcs</p>
--	--	---






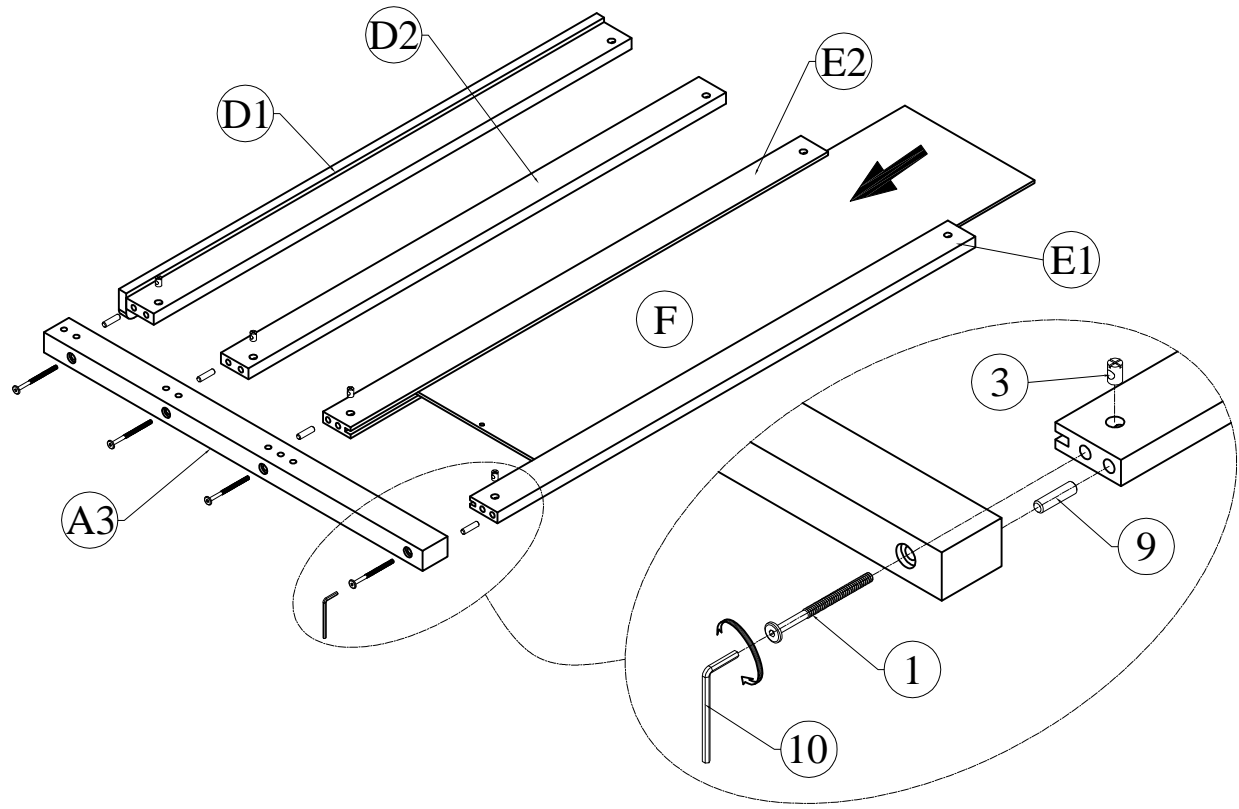
STEP 5

<p>1</p>  <p>Hex - Head bolts Ø1/4" * 90- 4pcs</p>	<p>3</p>  <p>Horizontal - Hold bolts Ø1/4" - 4pcs</p>	<p>9</p>  <p>Wood dowel Ø8 * 30 - 4pcs</p>
--	--	---

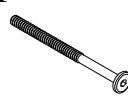




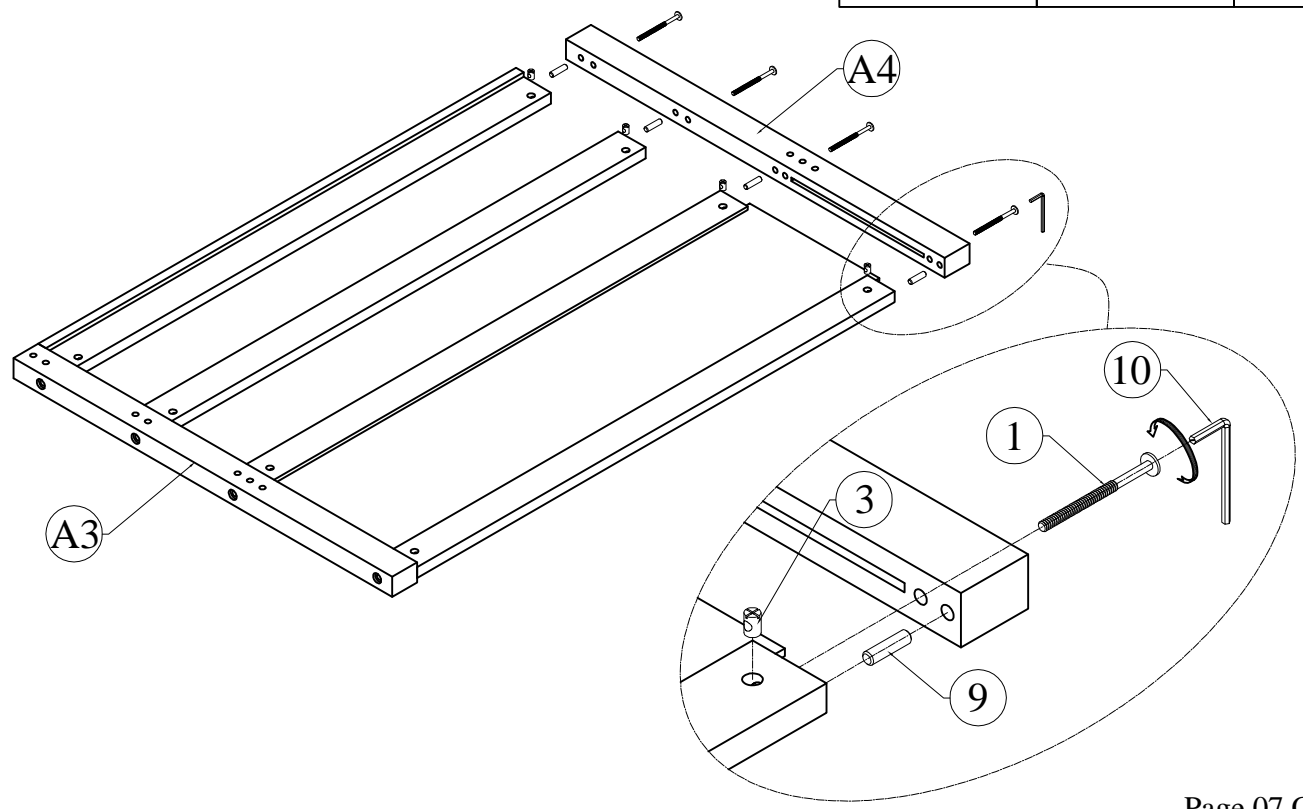
STEP 6

<p>1</p>  <p>Hex - Head bolts Ø1/4" * 90- 4pcs</p>	<p>3</p>  <p>Horizontal - Hold bolts Ø1/4" - 4pcs</p>	<p>9</p>  <p>Wood dowel Ø8 * 30 - 4pcs</p>
--	--	---



STEP 7

<p>1</p>  <p>Hex - Head bolts Ø1/4" * 90- 4pcs</p>	<p>3</p>  <p>Horizontal - Hold bolts Ø1/4" - 4pcs</p>	<p>9</p>  <p>Wood dowel Ø8 * 30 - 4pcs</p>
--	--	---

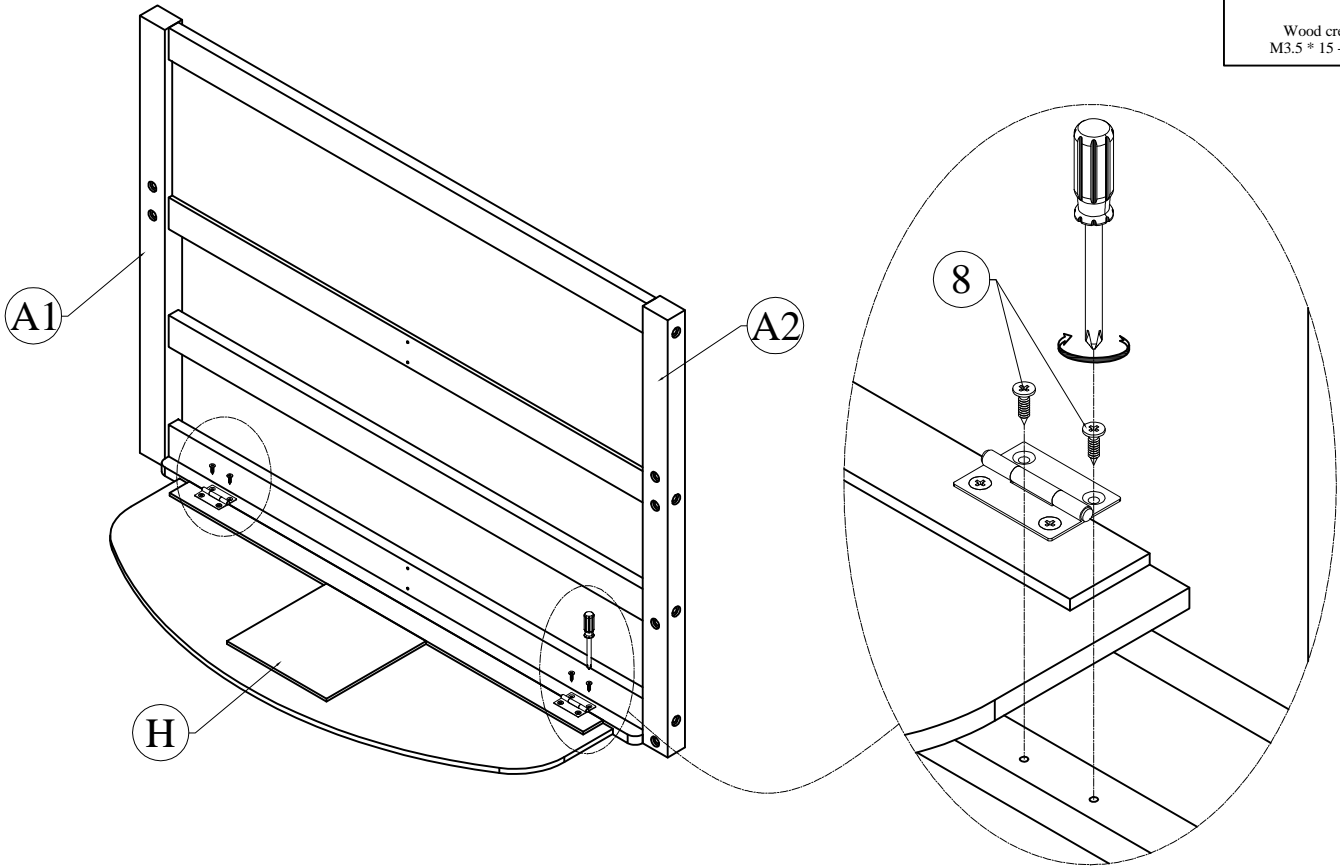


STEP 8

8



Wood crews
M3.5 * 15 - 4pcs

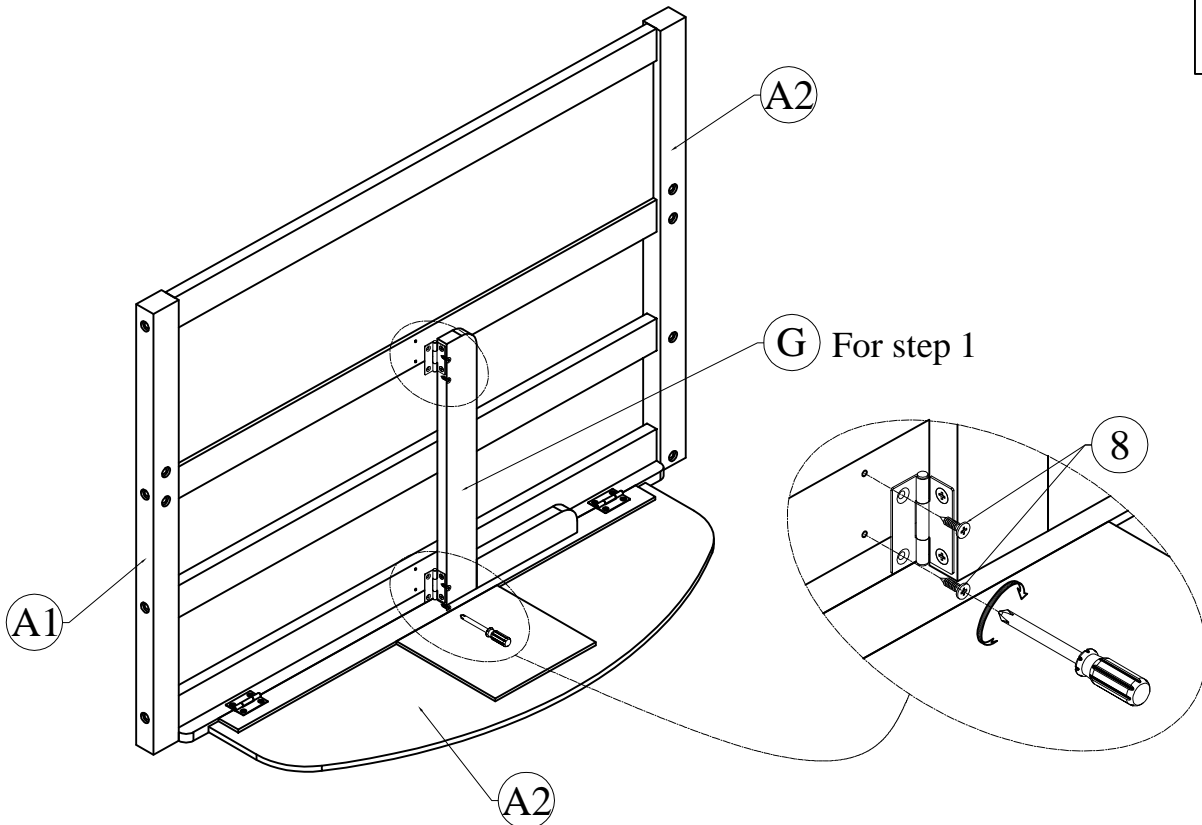


STEP 9

8



Wood crews
M3.5 * 15 - 4pcs

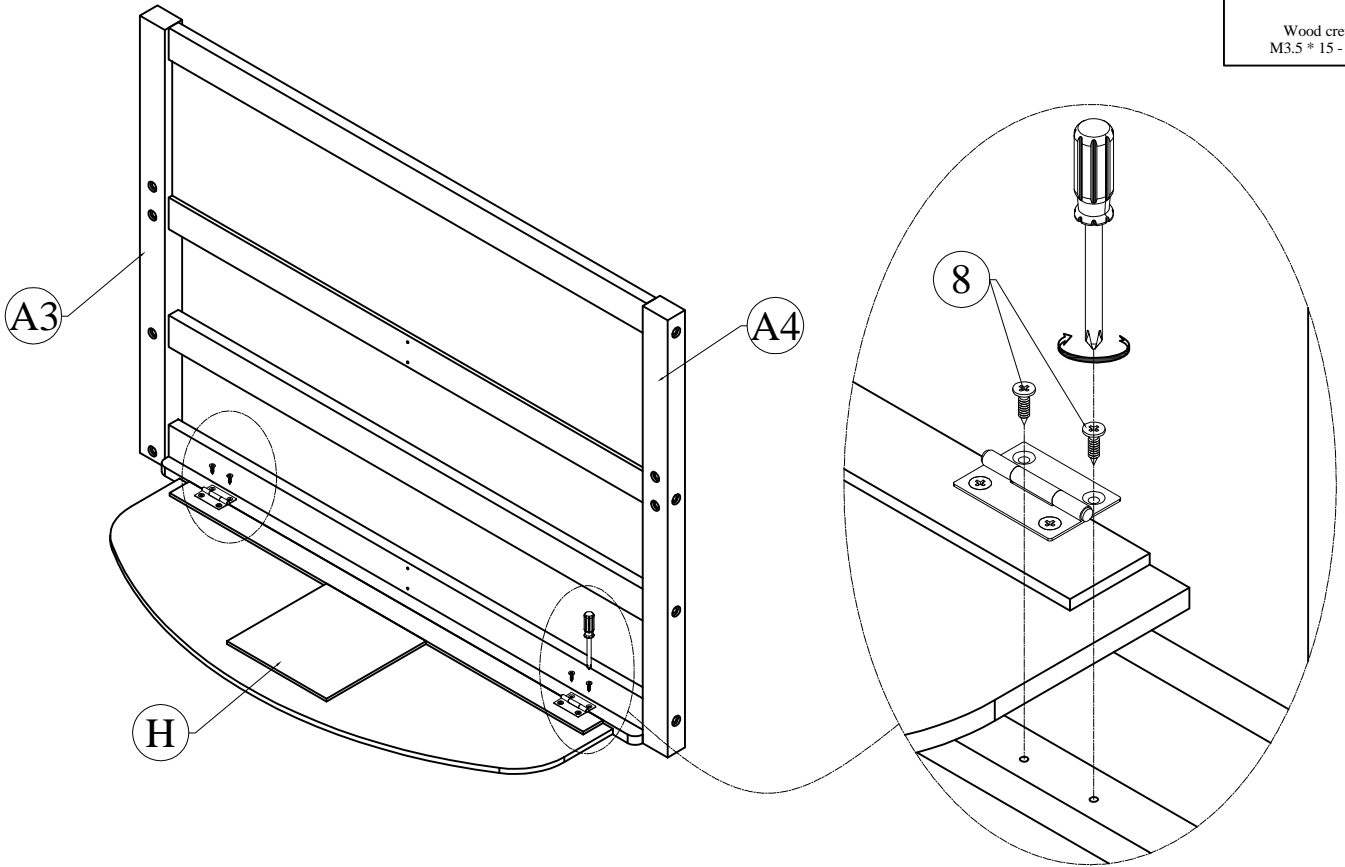


STEP 10

8



Wood crews
M3.5 * 15 - 4pcs

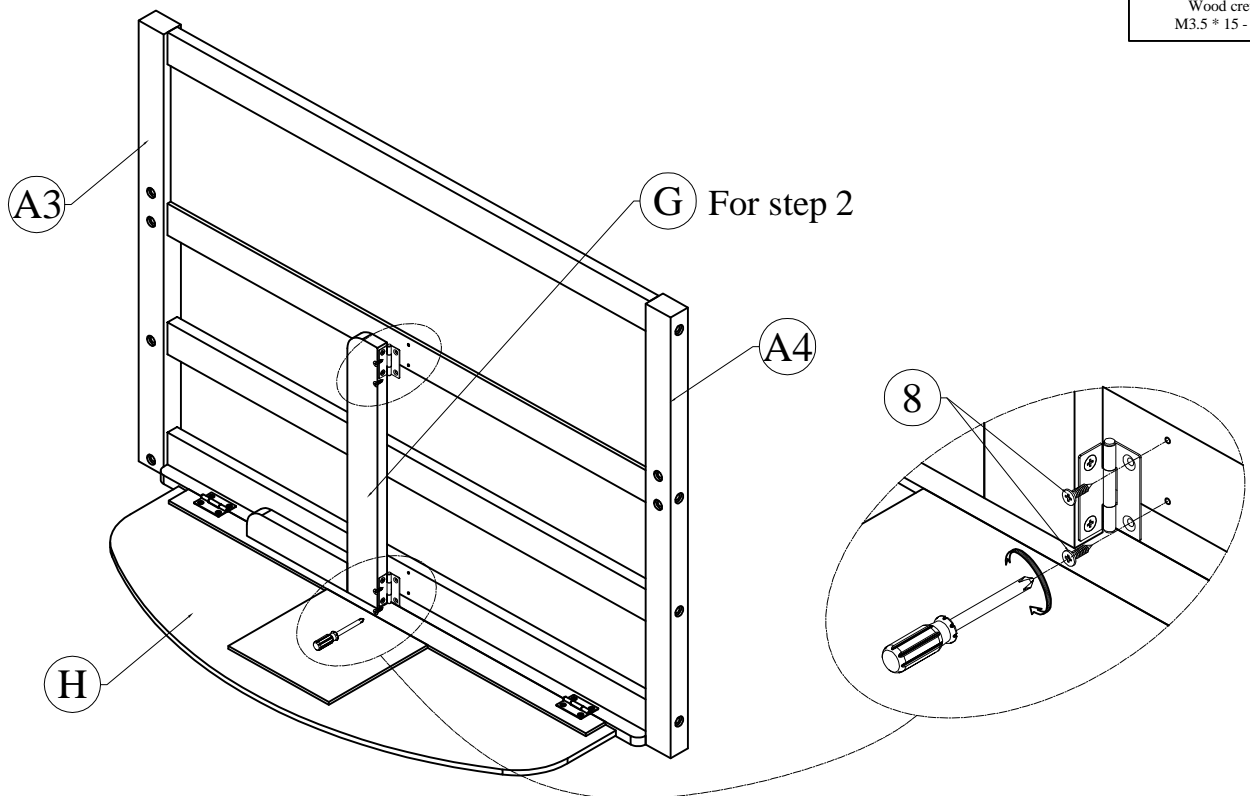


STEP 11

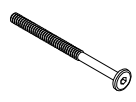

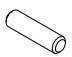
8

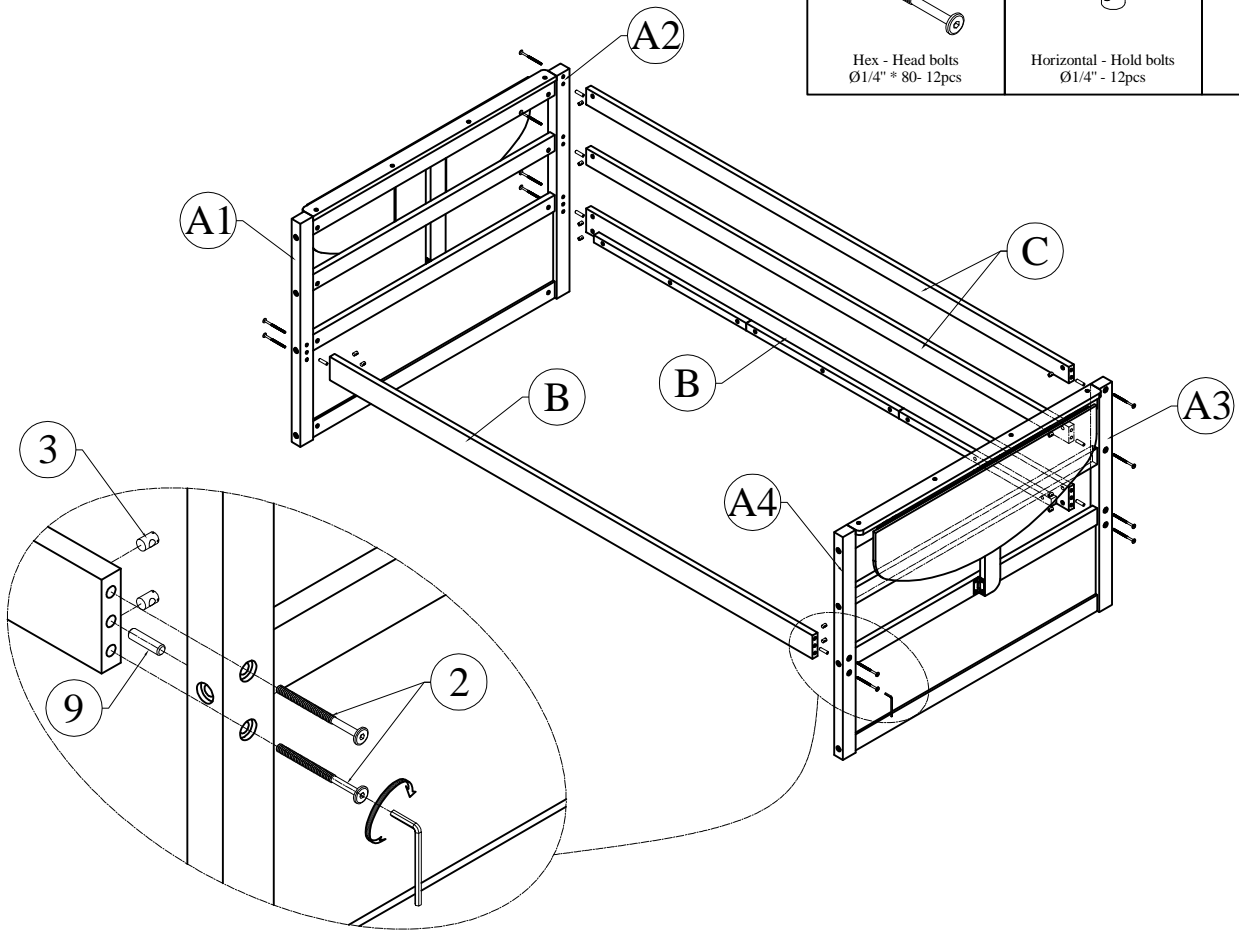


Wood crews
M3.5 * 15 - 4pcs




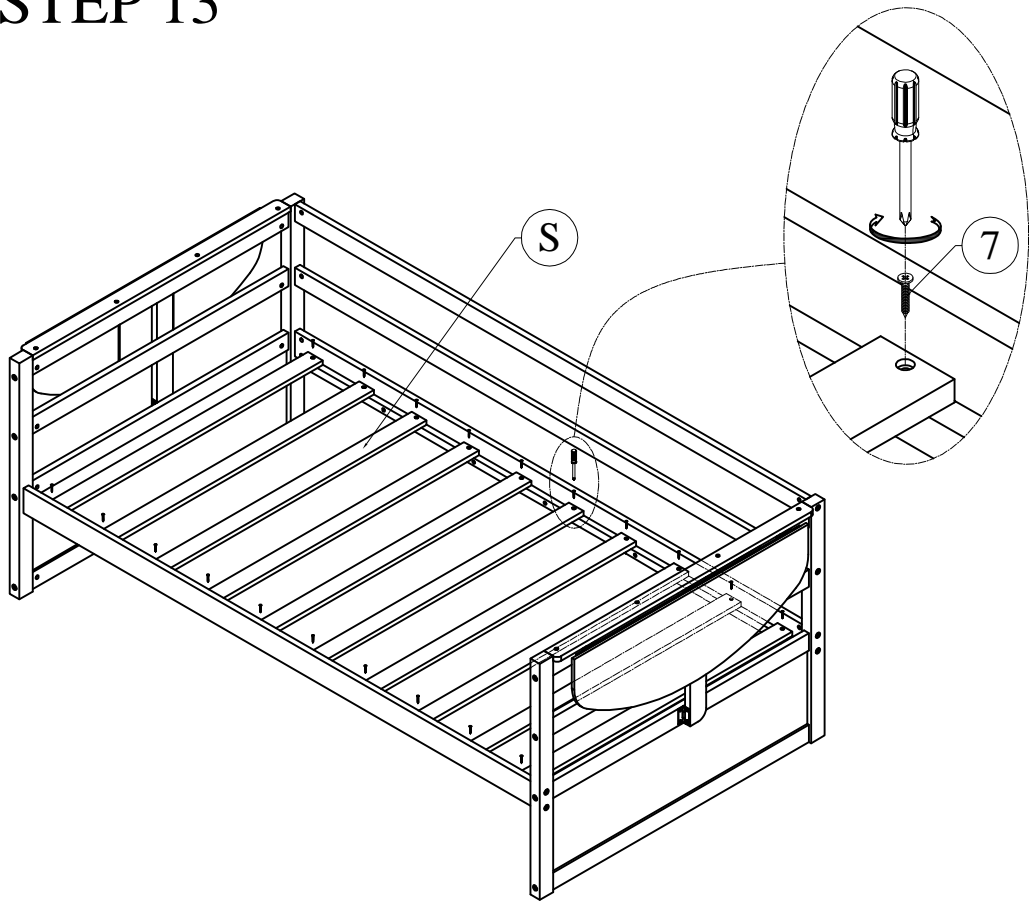
STEP 12

<p>2</p>  <p>Hex - Head bolts Ø1/4" * 80- 12pcs</p>	<p>3</p>  <p>Horizontal - Hold bolts Ø1/4" - 12pcs</p>	<p>9</p>  <p>Wood dowel Ø8 * 30 - 8pcs</p>
---	---	---



STEP 13

<p>7</p>  <p>Wood crews M4 * 25 - 20pcs</p>
--

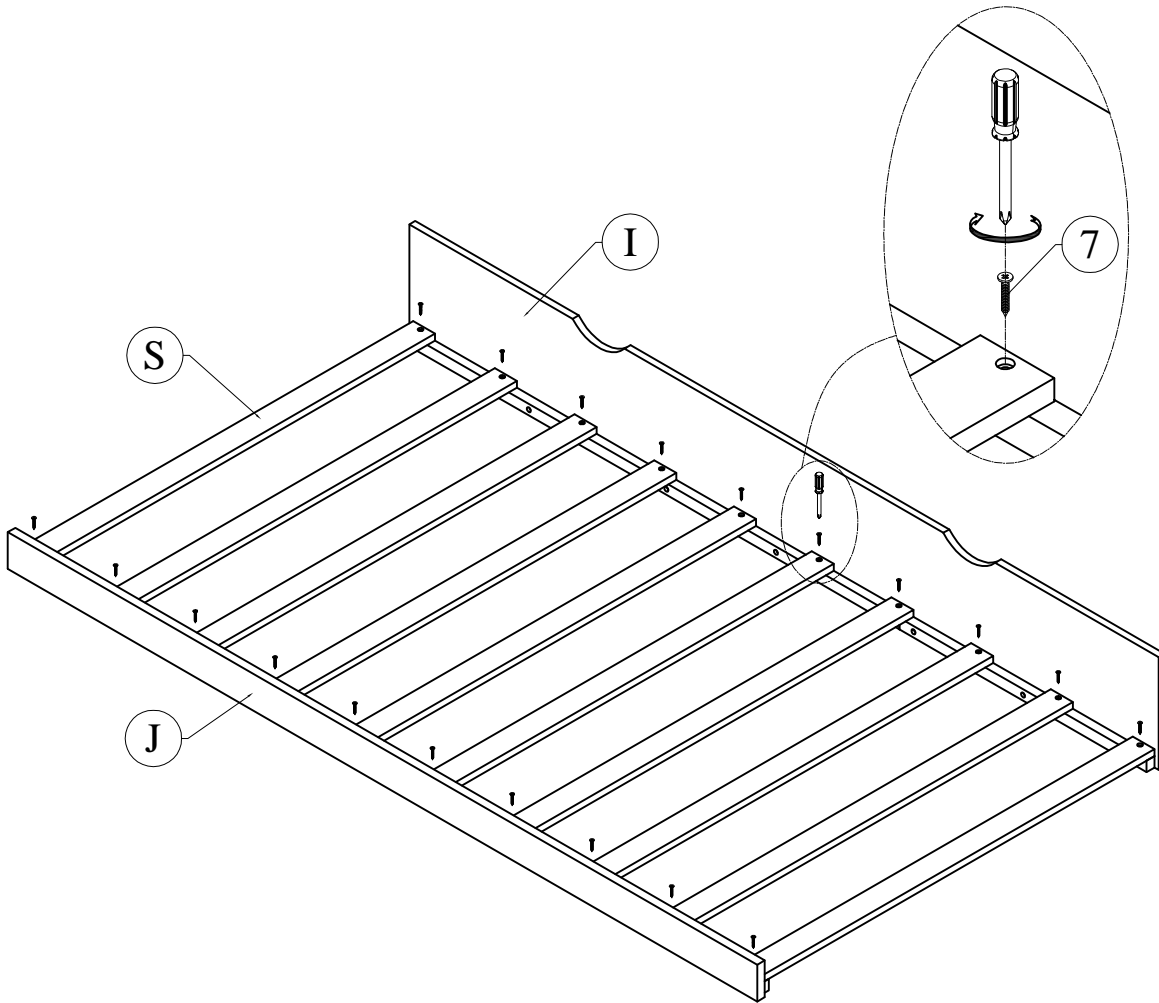


STEP 14

7



Wood crews
M4 * 25 - 20pcs



STEP 15

6

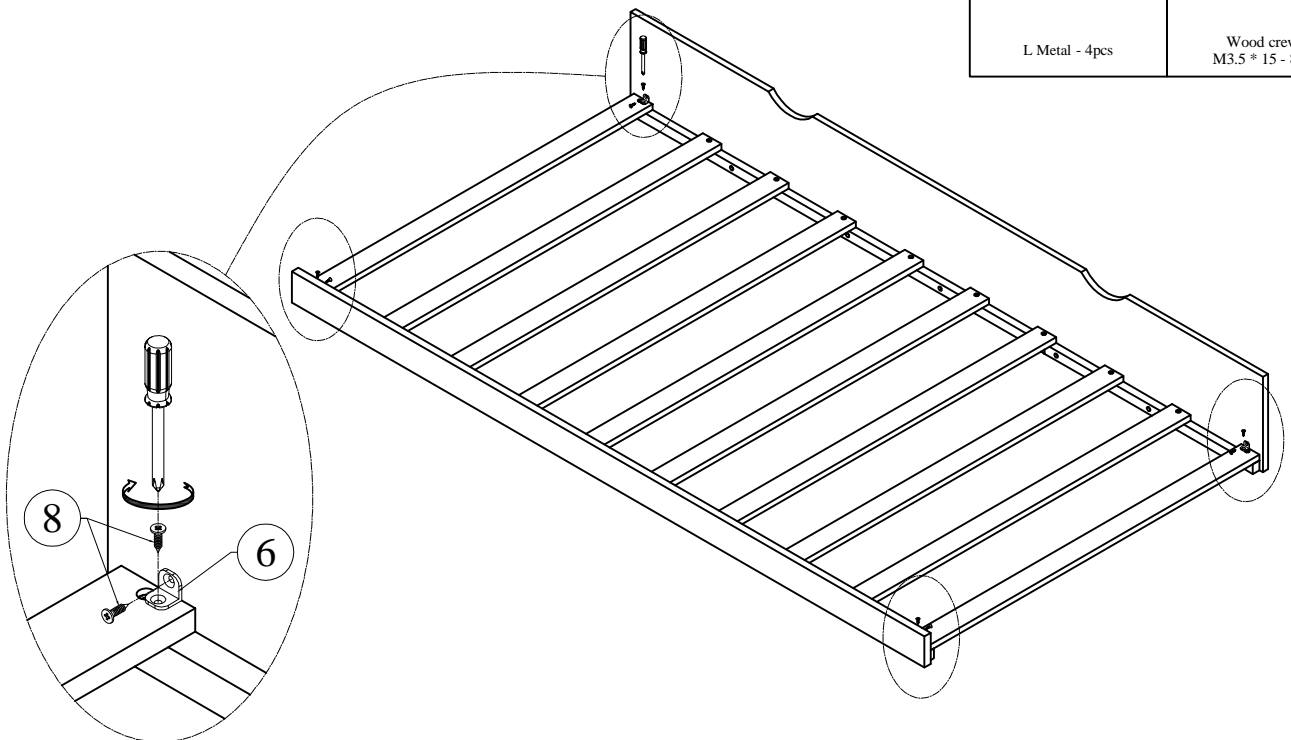


L Metal - 4pcs

8



Wood crews
M3.5 * 15 - 8pcs



STEP 16

5

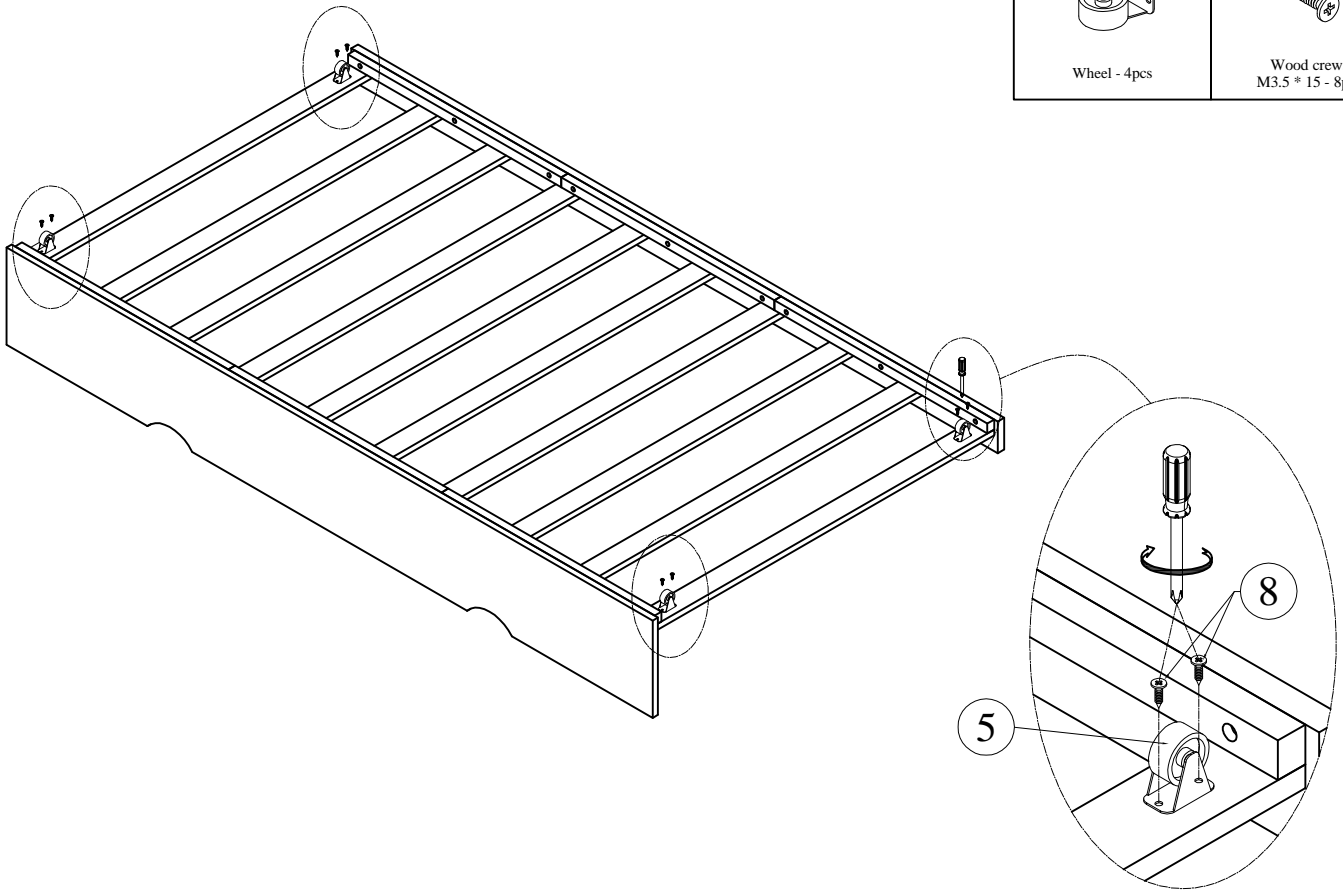


Wheel - 4pcs

8

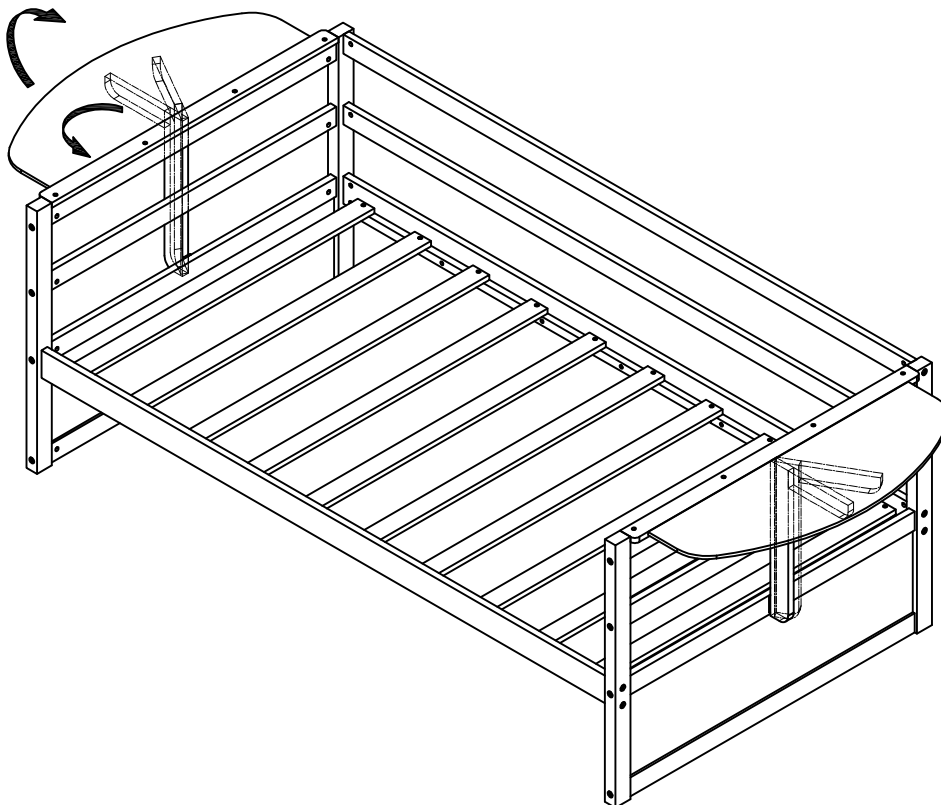


Wood crews
M3.5 * 15 - 8pcs

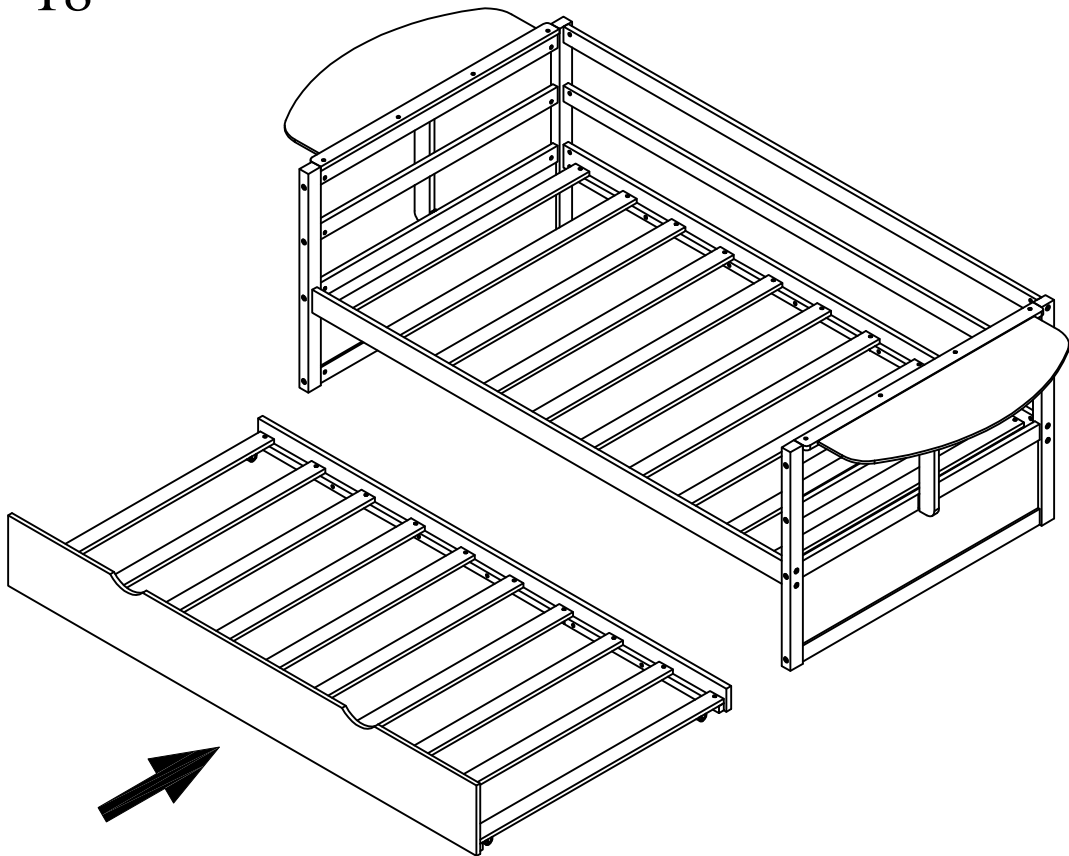


STEP 17

Lift the table top up, after that pull the support bar until it is perpendicular with the side frame



STEP 18



COMPLETED

