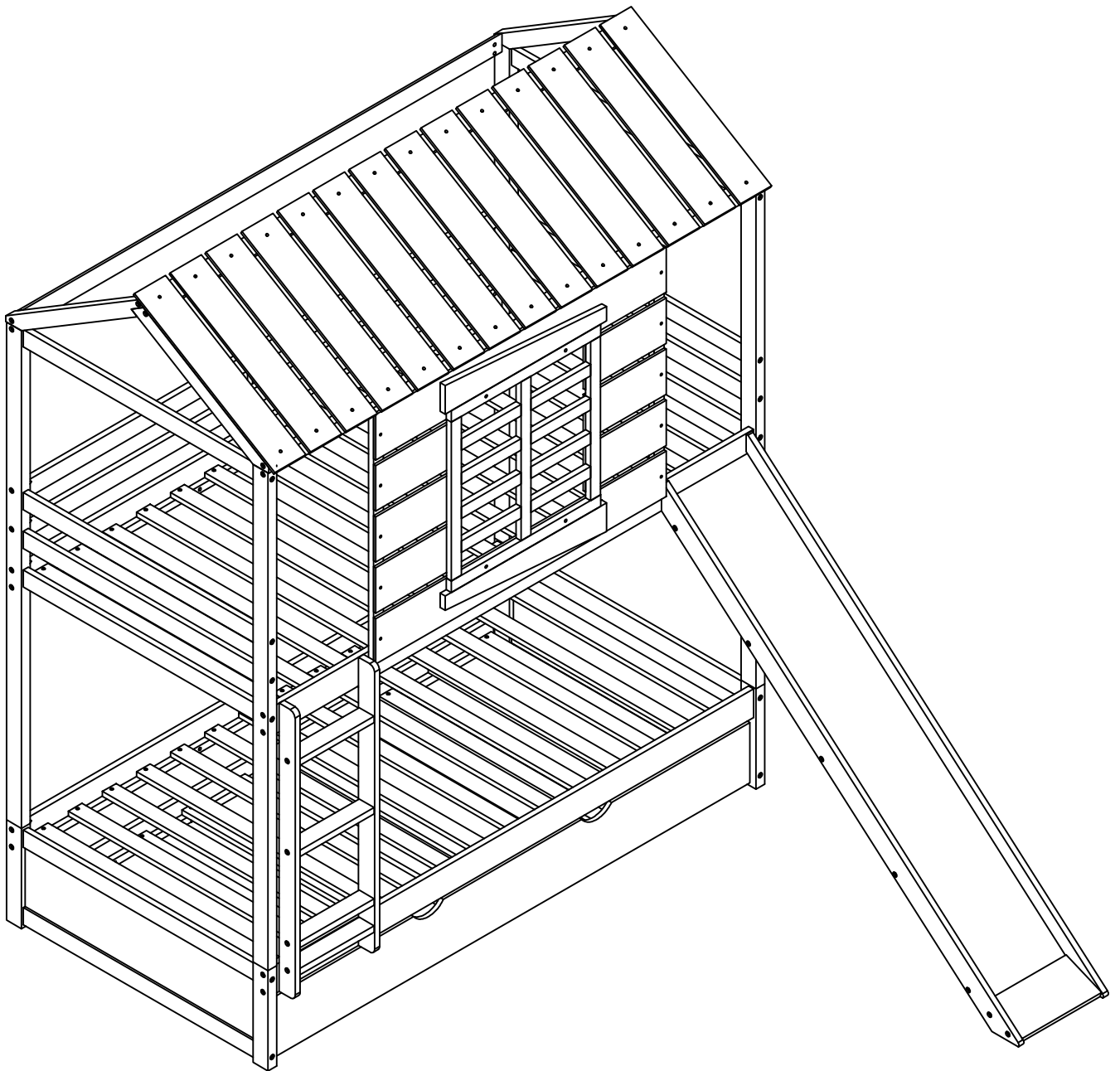


ASSEMBLY INSTRUCTIONS

TWIN HOUSE BED WITH SLIDE



WF295707/WF295709

SAFETY WARNINGS

1. This bed is designed for use only mattress(es) meeting the following specifications on the upper bunk, and lower bunk:

Upper bunk

Bed Type	Length	Width	Thickness
Twin Standard	74" - 75"	38 1/2"	6"

Lower bunk

Bed Type	Length	Width	Thickness
Twin Standard	74" - 75"	38 1/2"	6"

2. Replacement parts, including additional guardrails, may be obtained from any of our GIGACLOUD TECHNOLOGY (USA) INC.
3. Follow the information on the warnings appearing on the upper bunk bed end structure and on the carton. Do not remove warning label from bed.
4. Always use the recommended size mattresses or mattress supports, or both, to help prevent the likelihood of entrapment or falls.
5. Surface of the mattress must be at least 5 in. (127 mm) below the upper edge of guardrails.
6. Do not allow children under 6 years of age to use the upper bunk.
7. Periodically check and ensure that the guardrail, ladder, and other components are in their proper position, free from damage, and that all connectors are tight.
8. Do not allow horseplay on or under the bed and prohibit jumping on the bed
9. Always use the ladder for entering and leaving the upper bunk.
10. Do not use substitute parts. Contact the manufacturer or dealer for replacement parts.
11. Use of a night light may provided added safety precaution for a child using the upper bunk.
12. Always use guardrails on both long sides of the upper bunk. If the bunk bed will be placed next to the wall, the guardrail that runs the full length of the bed should be placed against the wall to prevent entrapment between the bed and wall.
13. The use of water or sleep flotation mattresses is prohibited.
14. STRANGULATION HAZARD – Never attach or hang items to any part of the bunk bed that are not designed for use with the bed; for example, but not limited to, hook, belts and jump ropes.
15. Keep these instructions for future reference
16. We recommend assembling your bunk bed on a shipping carton to protect your floor or carpet
17. Be certain all staples are out of the box before beginning assembly on the shipping carton
18. Prohibit more than one person on upper bunk

1. **At the beginning :**
Tighten all hardware.

Check metal parts for rust. If found, sand and repaint using a non-lead-based paint meeting the requirements of 16 CFR 1303.

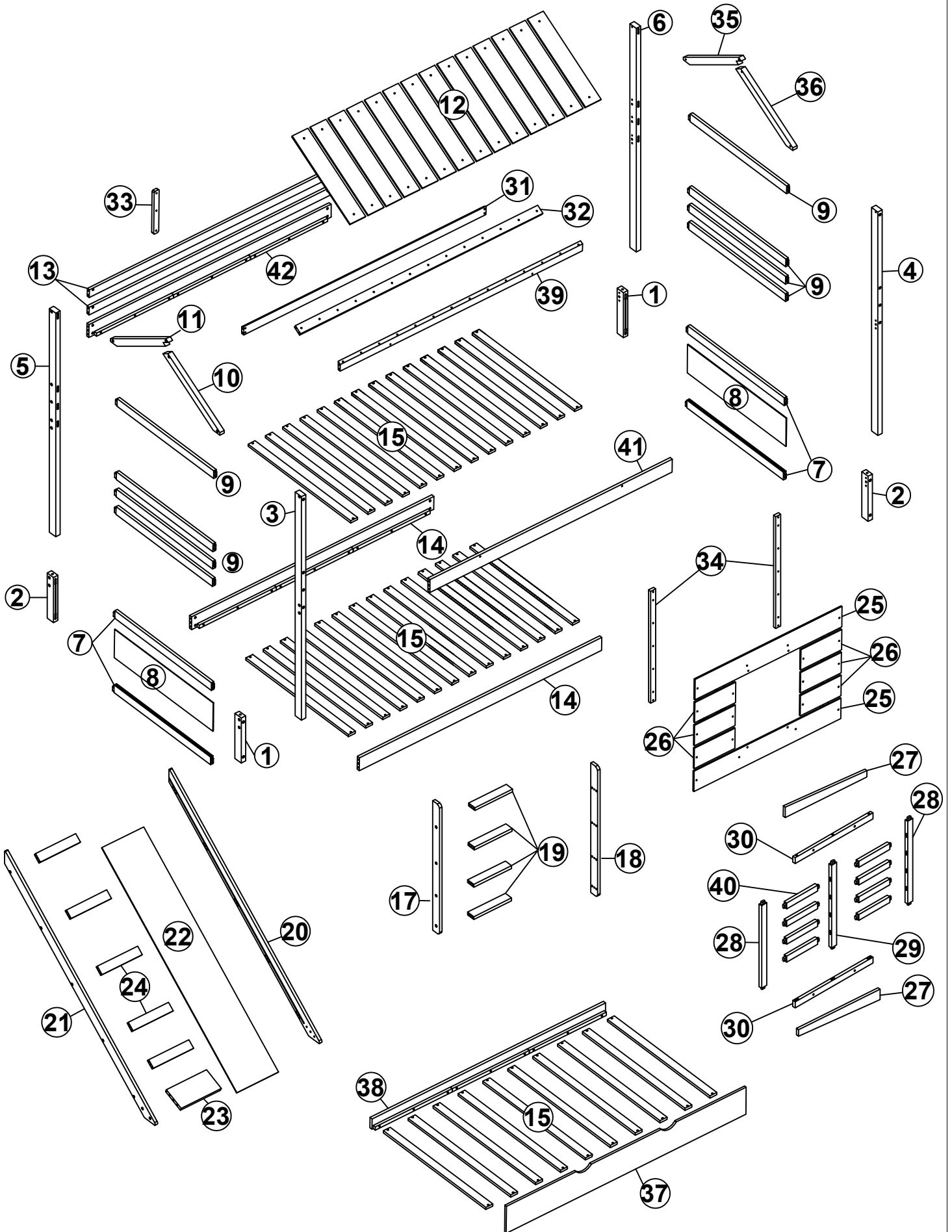
Check all wood members for deterioration and splinters. Sand down splinters and replace deteriorating wood members.

Rake and check depth of loose fill protective surfacing materials to prevent compaction and to maintain appropriate depth. Replace as necessary.
2. **Twice a month**

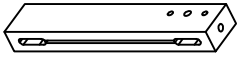
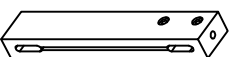

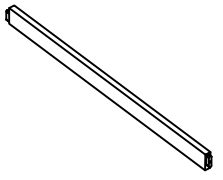



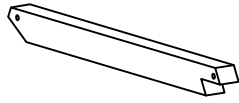

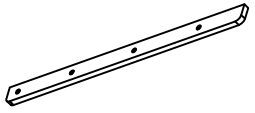
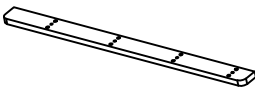
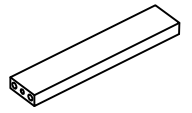

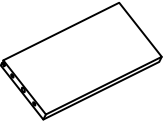
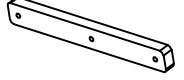
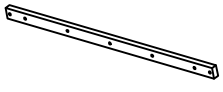
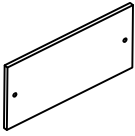

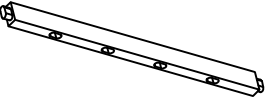
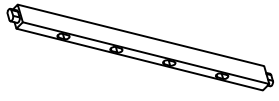
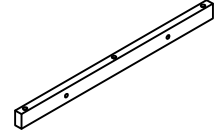
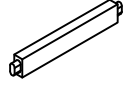
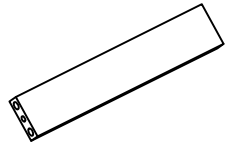
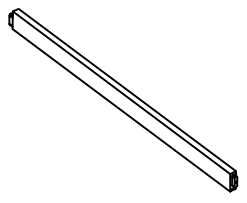
Tighten all hardware.

Rake and check depth of loose fill protective surfacing materials to prevent compaction and to maintain appropriate depth. Replace as necessary.
3. **Owners shall be responsible for maintaining the legibility of the warning labels.**
4. **Disposal Instructions-There shall be instructions advising the owner to disassemble and dispose of the playground equipment in such a way that no unreasonable hazards will exist at the time the playground equipment is discarded.**
5. **The instructions shall also include the information found in Section 4 of the United States Consumer Product Safety Commission's (USCPSC) Outdoor Home Playground Safety Handbook or specific surfacing guidelines for the product consistent with the USCPSC Handbook. A copy of this section may be found in Appendix X2.**
6. **Observing the following statements and warnings reduces the likelihood of serious or fatal injury.**
7. **Specifying the number and weight of occupants that may safely use the equipment singly or simultaneously,**
8. **Recommending on-site adult supervision for children of all ages,**
9. **Warning the owner to instruct children not to use the equipment in a manner other than intended,**
10. **Warning the owner to instruct children not to get off equipment while it is in motion,**
11. **Warning the owner not to allow children to wear inappropriate items, such as but not limited to, loose fitting clothing, hood and neck drawstrings, scarves, cord-connected items, capes and ponchos. These items can cause death by strangulation.**
12. **Warning the owner to instruct children not to climb when the equipment is wet.**
13. **Warning the owner to instruct children not to attach items to the playground equipment that are not specifically designed for use with the equipment, such as, but not limited to, jump ropes, clothesline, pet leashes, cables and chain as they may cause a strangulation hazard**
14. **Warning the owner to instruct children to remove their bike or other sports helmet before playing on the playground equipment.**
15. **Warning the owner to dress children with well-fitting and full foot enclosing footwear. Examples of inappropriate footwear are clogs, flip flops, and sandals.**
16. **Place the equipment on level ground, not less than 6 ft (1.8 m) from any structure or obstruction such as a fence, garage, house, overhanging branches, laundry lines, or electrical wires**
17. **Do not install home playground equipment over concrete, asphalt, packed earth, grass, carpet, or any other hard surface. A fall onto a hard surface can result in serious injury or death to the equipment user**
18. **To prevent serious injury, cautionary statements shall be included which warn that children must not use the equipment until properly installed.**

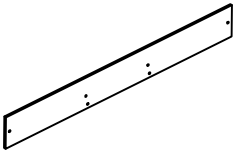
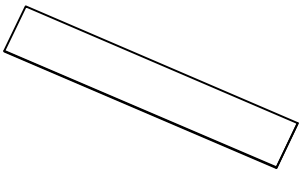
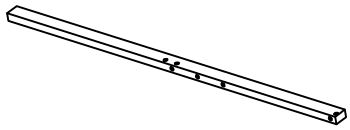
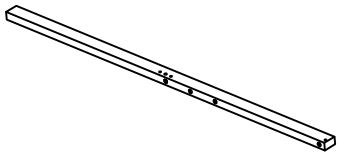
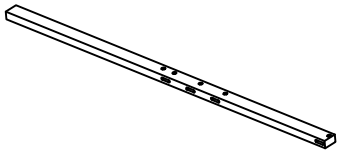
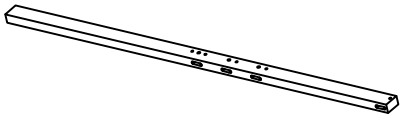
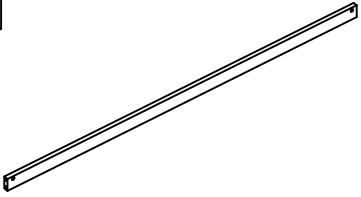

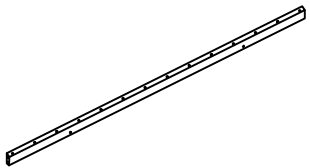
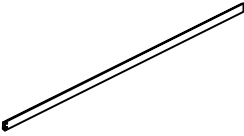
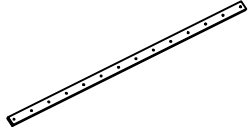
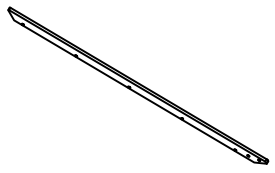

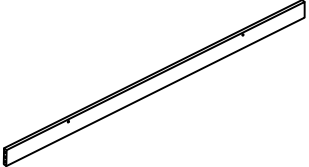
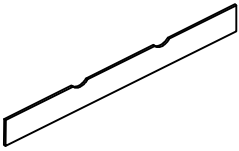
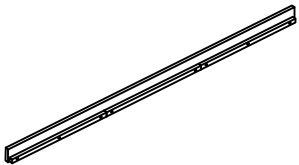
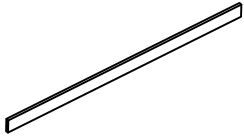
Detail View




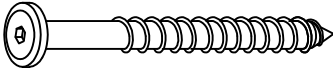
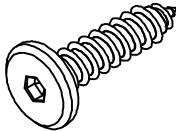

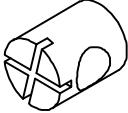
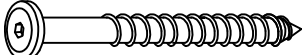

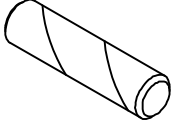
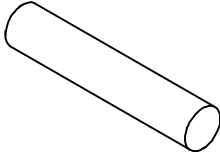
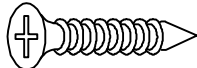
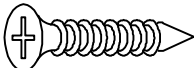
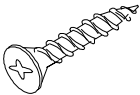
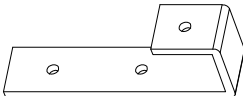
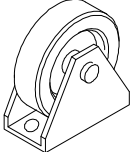
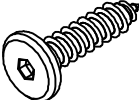
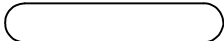


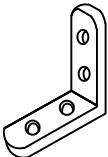
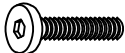
PART LISTS : WF295707

<p>1</p>  <p>Lower leg (L/R) - (2pcs)</p>	<p>2</p>  <p>Lower leg (L/R) - (2pcs)</p>	<p>8</p>  <p>Panel - (2pcs)</p>
<p>9</p>  <p>Upper hip bar (L/R) - (8pcs)</p>	<p>10</p>  <p>Roof bar (front) - (1pc)</p>	<p>11</p>  <p>Roof bar (rear) - (1pc)</p>
<p>36</p>  <p>Roof bar (front) - (1pc)</p>	<p>35</p>  <p>Roof bar (rear) - (1pc)</p>	<p>12</p>  <p>Roof board - (14pcs)</p>
<p>17</p>  <p>Left foot of stairs - (1pc)</p>	<p>18</p>  <p>Right foot of stairs - (1pc)</p>	<p>19</p>  <p>Sliding stairs - (4pcs)</p>
<p>15</p>  <p>Slats - (38pcs)</p>	<p>23</p>  <p>Avoid slipping - (1pc)</p>	<p>33</p>  <p>Beam brace - (1pc)</p>
<p>34</p>  <p>Door brace - (2pcs)</p>	<p>26</p>  <p>Small plank - (6pcs)</p>	<p>27</p>  <p>Decorative bar - (2pcs)</p>
<p>28</p>  <p>Hip brace - (2pcs)</p>	<p>29</p>  <p>Crossbar (rear) - (1pc)</p>	<p>30</p>  <p>Horizontal bar (T/B) - (2pcs)</p>
<p>40</p>  <p>Crossbar (front) - (8pcs)</p>	<p>24</p>  <p>Sliding stairs - (5pcs)</p>	<p>7</p>  <p>Grooved crossbar - (4pcs)</p>

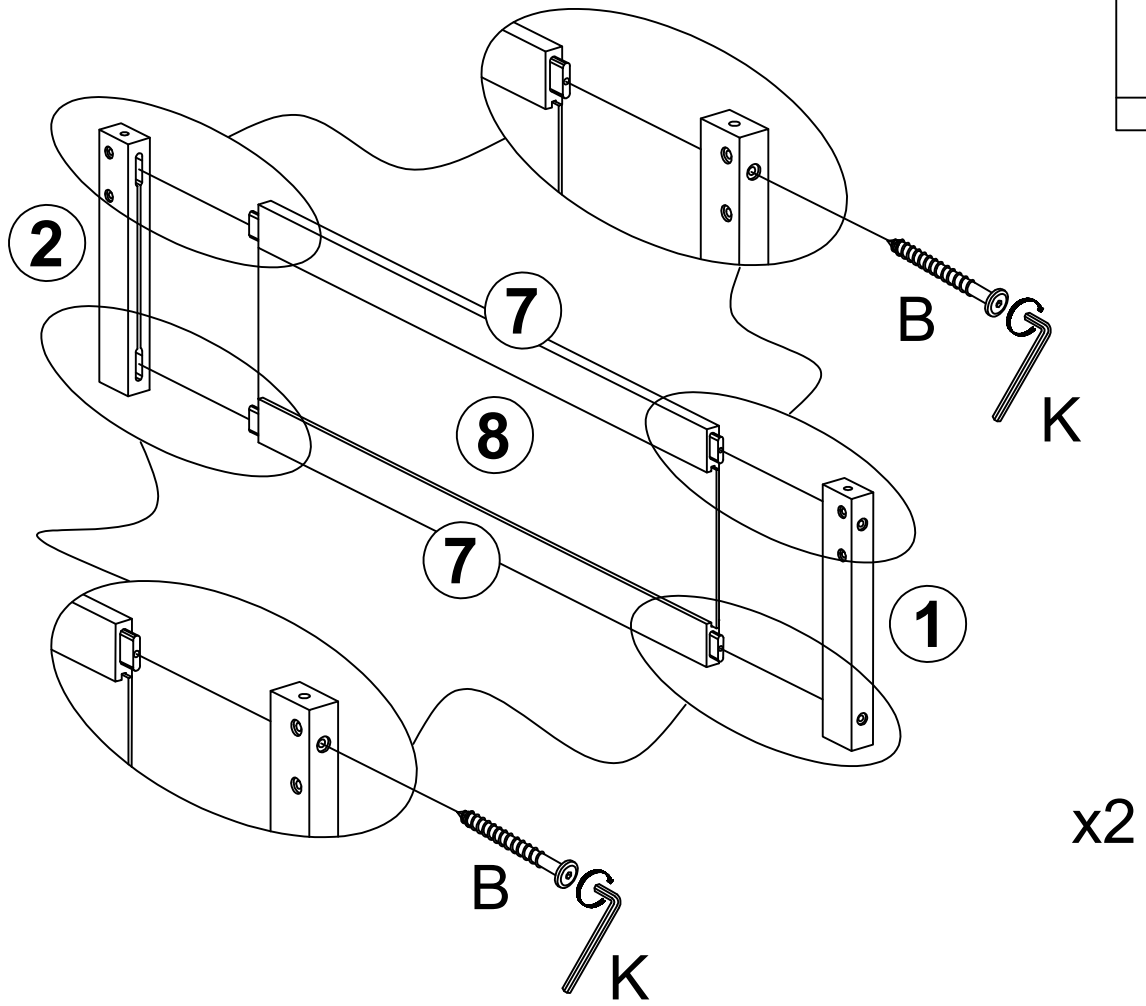
PART LISTS : WF295709

<p>25</p>  <p>Upper plank - (2pcs)</p>	<p>22</p>  <p>Long panel - (1pc)</p>	<p>3</p>  <p>Upper leg (left) - (1pc)</p>
<p>4</p>  <p>Upper leg (right) - (1pc)</p>	<p>5</p>  <p>Upper leg (back) - (1pc)</p>	<p>6</p>  <p>Upper leg (front) - (1pc)</p>
<p>13</p>  <p>Upper crossbar - (2pcs)</p>	<p>20</p>  <p>Foot of stairs (left) - (1pcs)</p>	<p>39</p>  <p>Upper crossbar (front) - (1pcs)</p>
<p>31</p>  <p>Upper crossbar (rear) - (1pcs)</p>	<p>32</p>  <p>Top crossbar - (1pc)</p>	<p>21</p>  <p>Foot of stairs (right) - (1pc)</p>
<p>42</p>  <p>Upper bed shoulder (back) - (1pcs)</p>	<p>41</p>  <p>Upper bed shoulder (front) - (1pc)</p>	<p>37</p>  <p>Drawer front - (1pc)</p>
<p>38</p>  <p>Drawer shoulder - (1pcs)</p>	<p>14</p>  <p>Lower bed shoulder (F/B)- (2pcs)</p>	

HARDWARE LISTS : WF295709

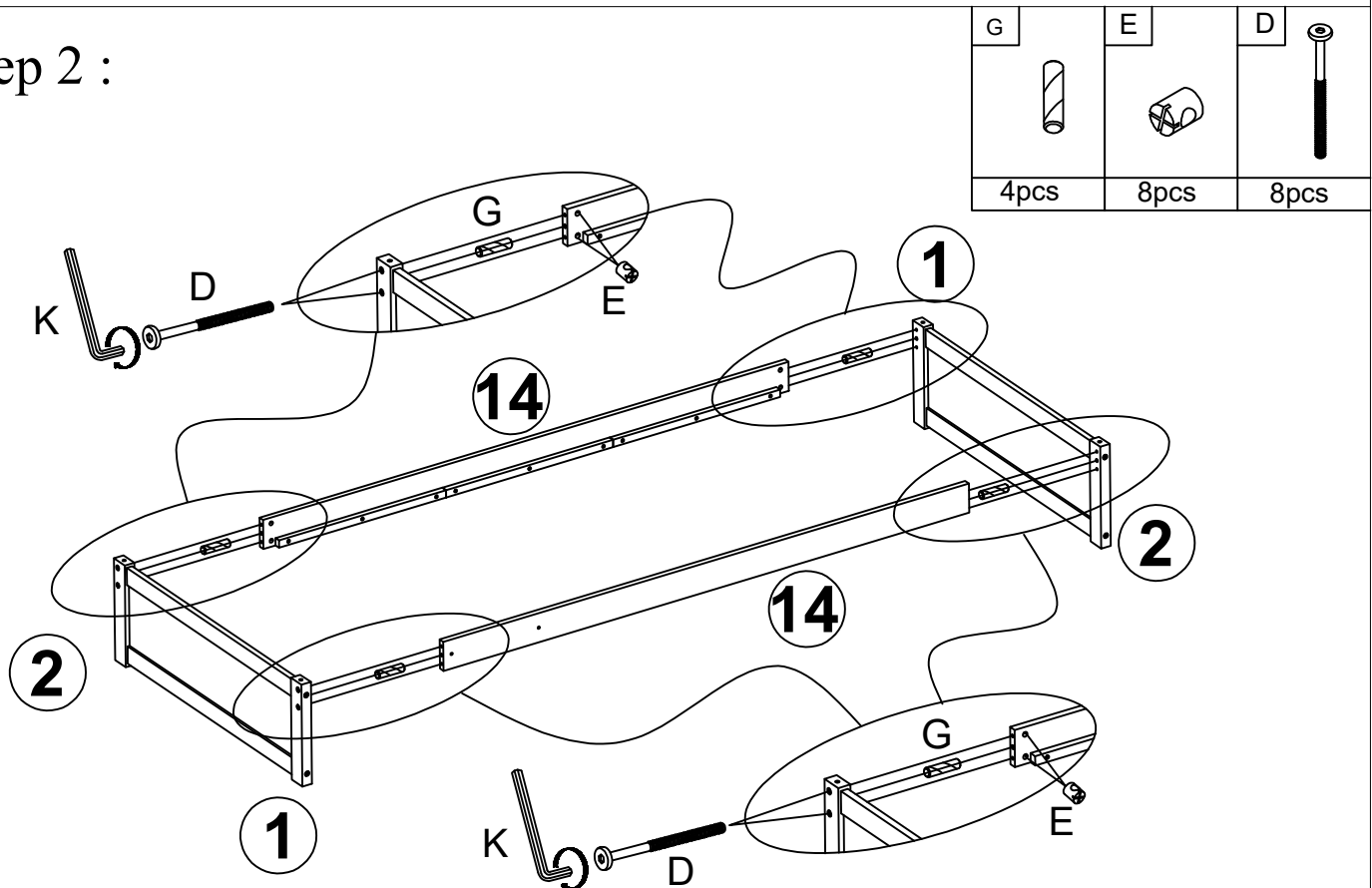
<p>A</p>  <p>Hex-Head bolt: Ø1/4**25mm - (4pcs)</p>	<p>B</p>  <p>Hex-Head bolt: Ø6**85mm - (24pcs)</p>	<p>C</p>  <p>Hex-Head bolt: Ø6**30mm - (3pcs)</p>
<p>D</p>  <p>Hex-Head bolt: Ø1/4**80mm - (32pcs)</p>	<p>E</p>  <p>Hole bolt: Ø1/4**13 - (32pcs)</p>	<p>F</p>  <p>Hex-Head bolt: Ø6**50mm - (22pcs)</p>
<p>K</p>  <p>Allen key - (1pc)</p>	<p>G</p>  <p>Wood dower: Ø10*30 - (50pcs)</p>	<p>H</p>  <p>Metal dower: Ø10*90mm - (4pcs)</p>
<p>J</p>  <p>Screw: Ø4*30mm (82pcs)</p>	<p>N</p>  <p>Screw: Ø4*20mm - (18pcs)</p>	<p>M</p>  <p>Screw: Ø4*15mm - (20pcs)</p>
<p>U</p>  <p>Hook: (6pcs)</p>	<p>T</p>  <p>Wheels: Ø32 - (4pcs)</p>	<p>R</p>  <p>Hex-Head bolt: Ø6**25mm - (48pcs)</p>
<p>Z</p>  <p>Foam stick : 90*17*2mm (6pcs)</p>	<p>O</p>  <p>Ø1/4" Nut (8pcs)</p>	<p>Q</p>  <p>Feathers warped Ø1.5*10mm- (14pcs)</p>
<p>W</p>  <p>Pass L : 60*20*2mm (3pcs)</p>	<p>I</p>  <p>Hex-Head bolt: Ø1/4**15mm - (4pcs)</p>	

Step 1 :



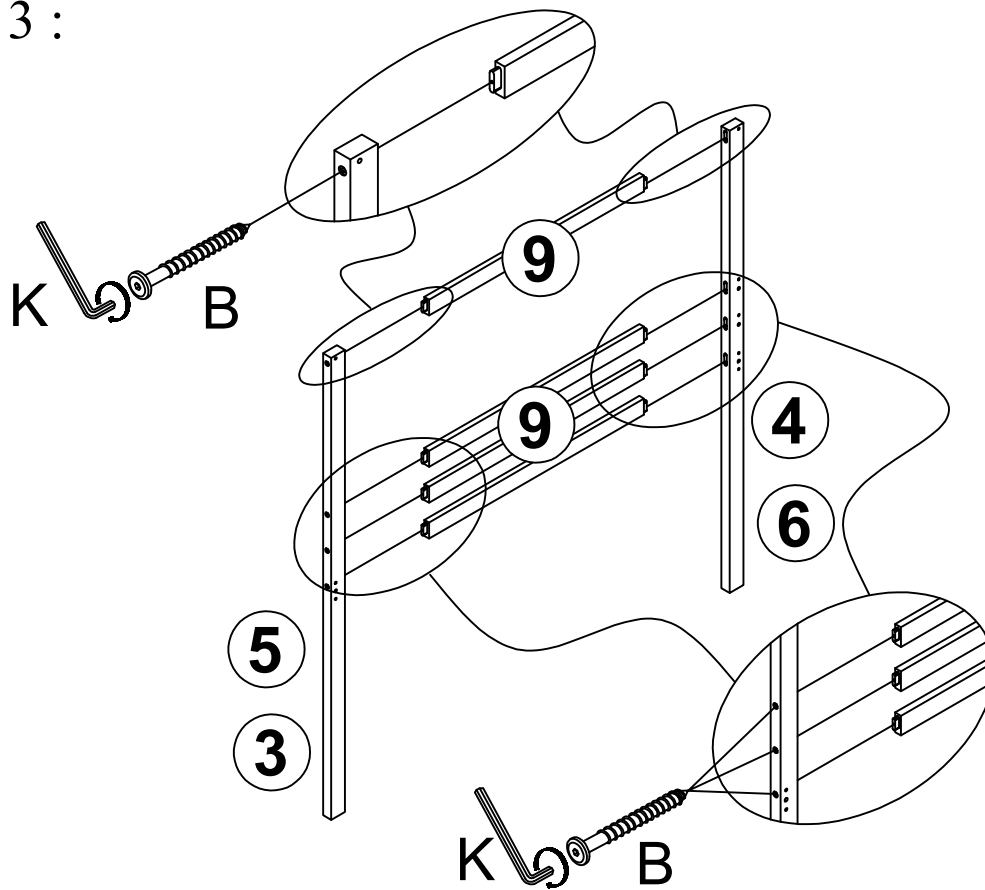
B	
8pcs	

Step 2 :



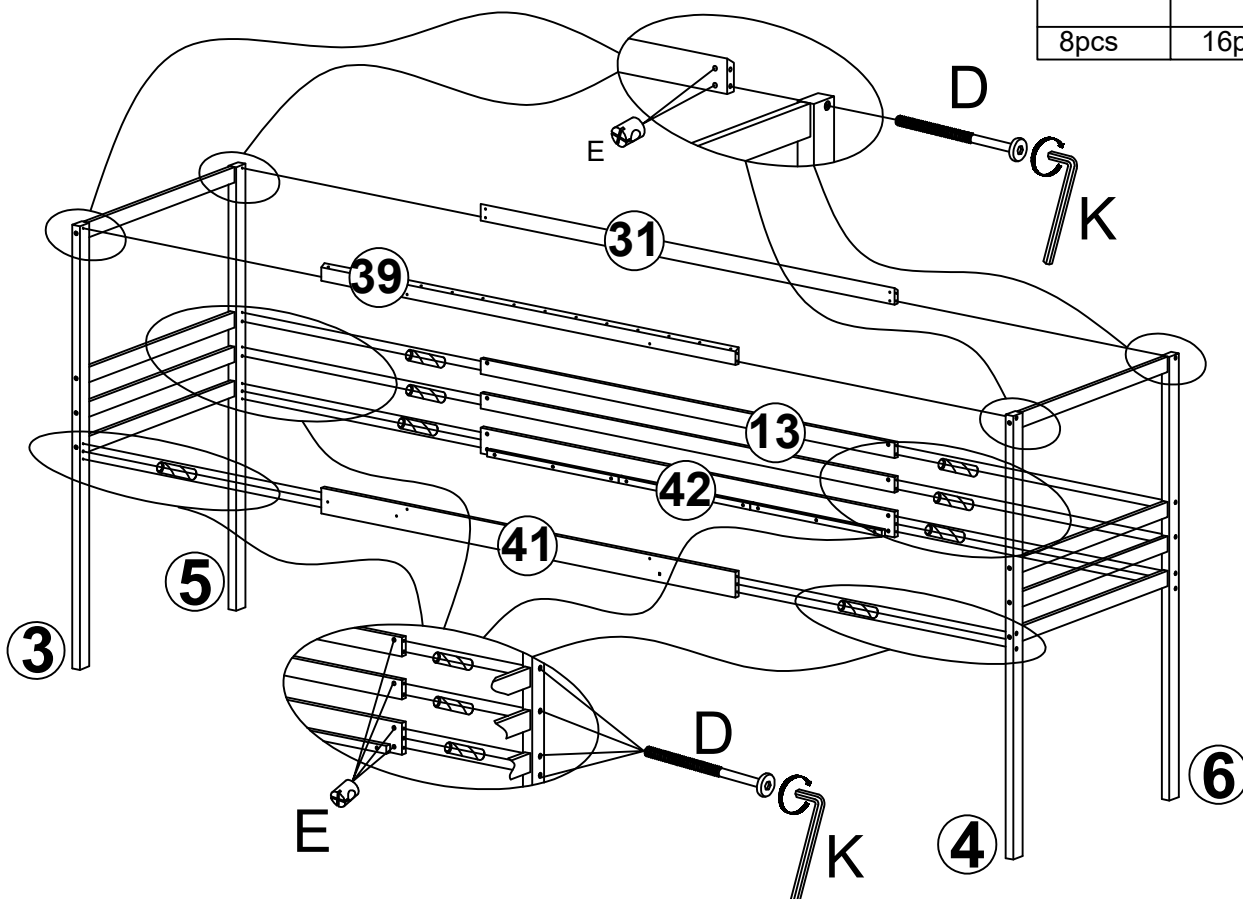
G		E		D	
4pcs		8pcs		8pcs	

Step 3 :



B	
16pcs	

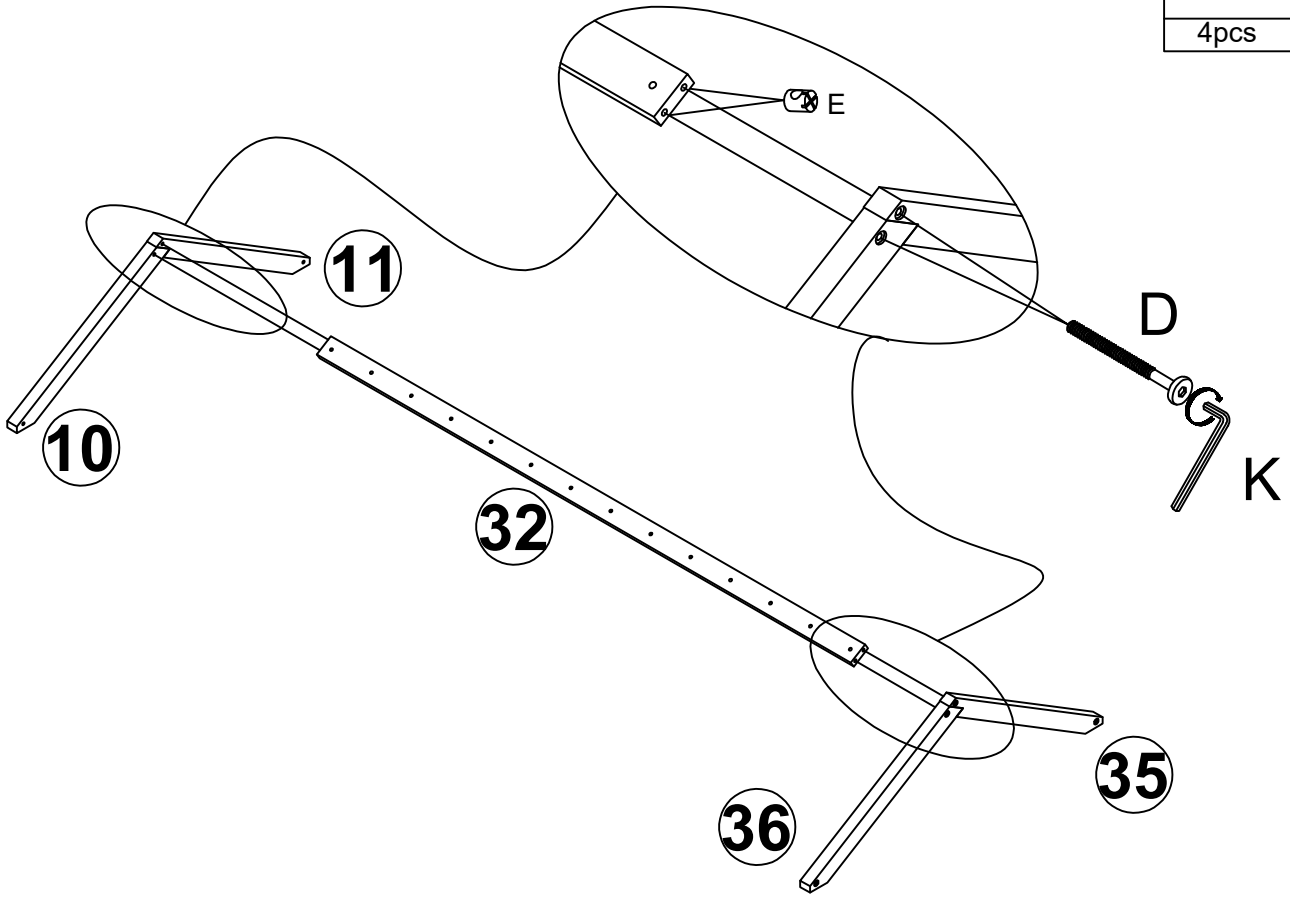
Step 4 :



G	E	D	
8pcs	16pcs	16pcs	

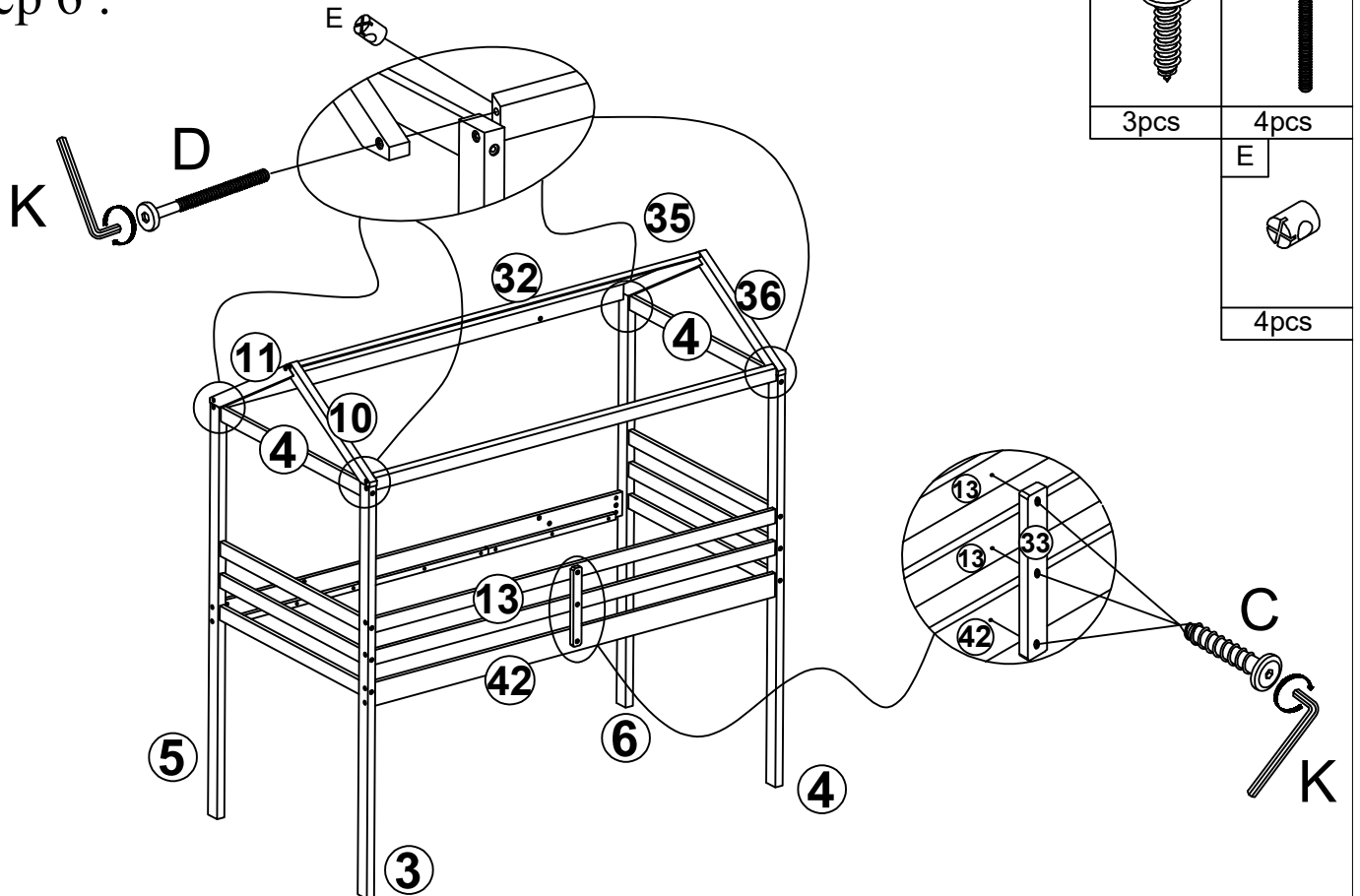
Step 5 :

E	D
4pcs	4pcs

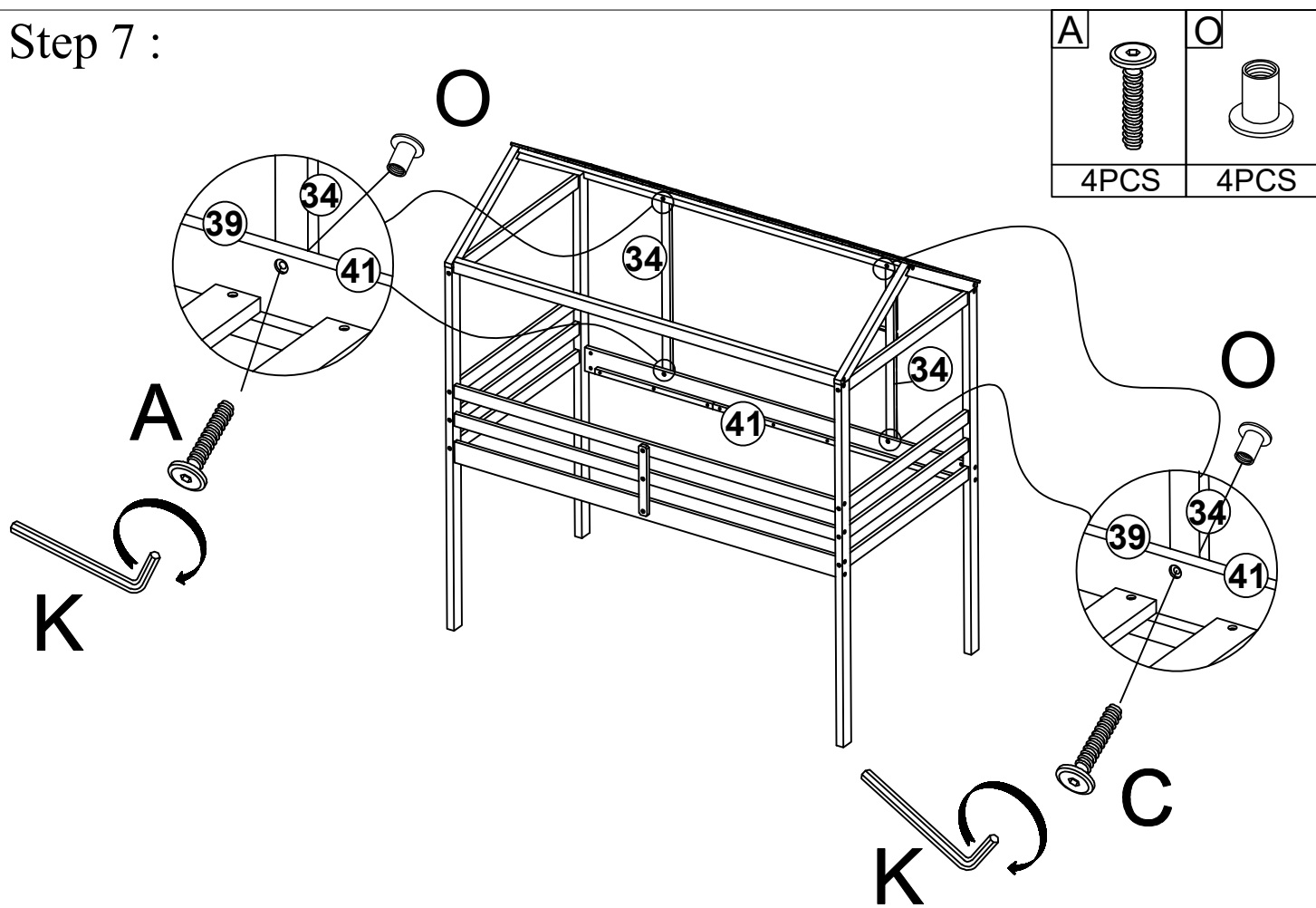


Step 6 :

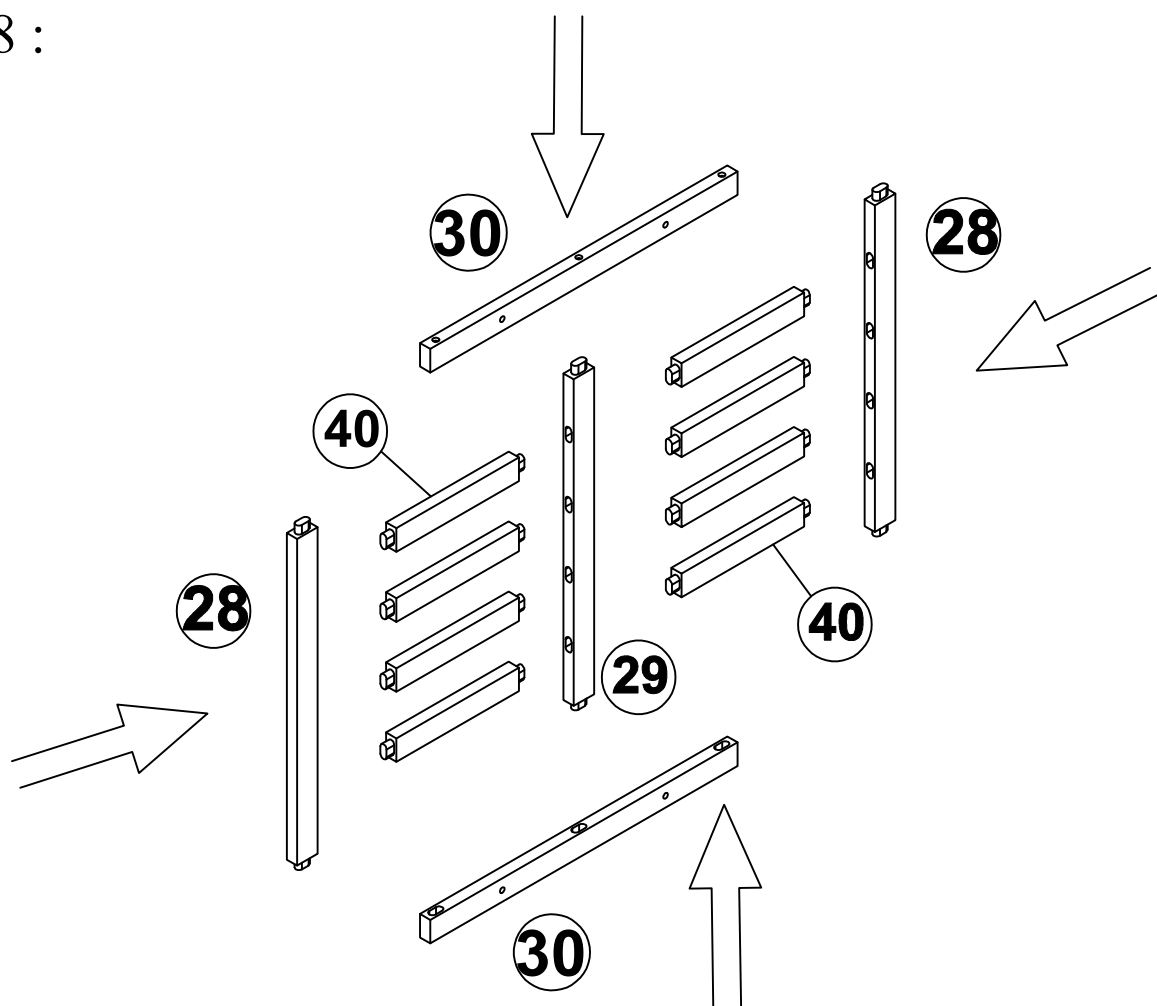
C	D
3pcs	4pcs
E	
4pcs	



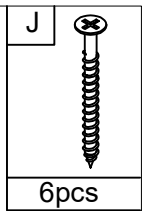
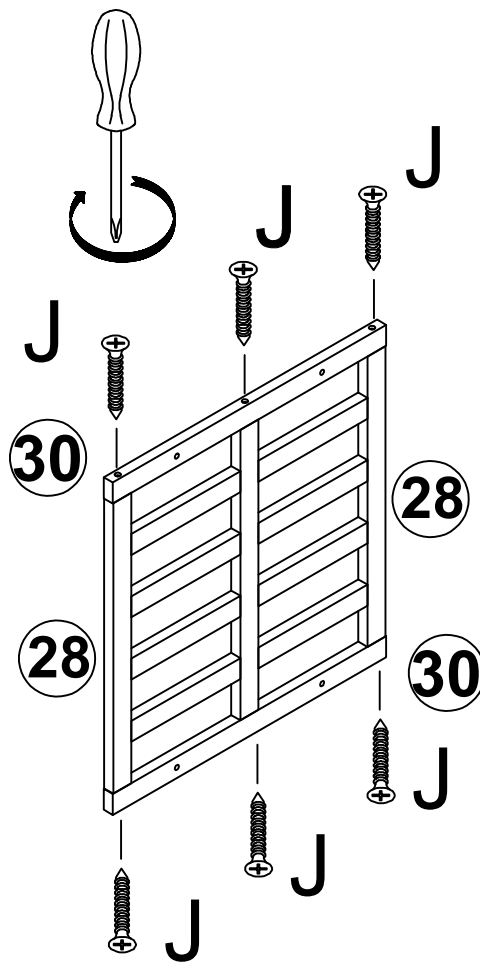
Step 7 :



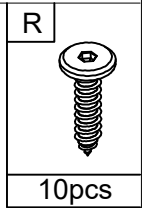
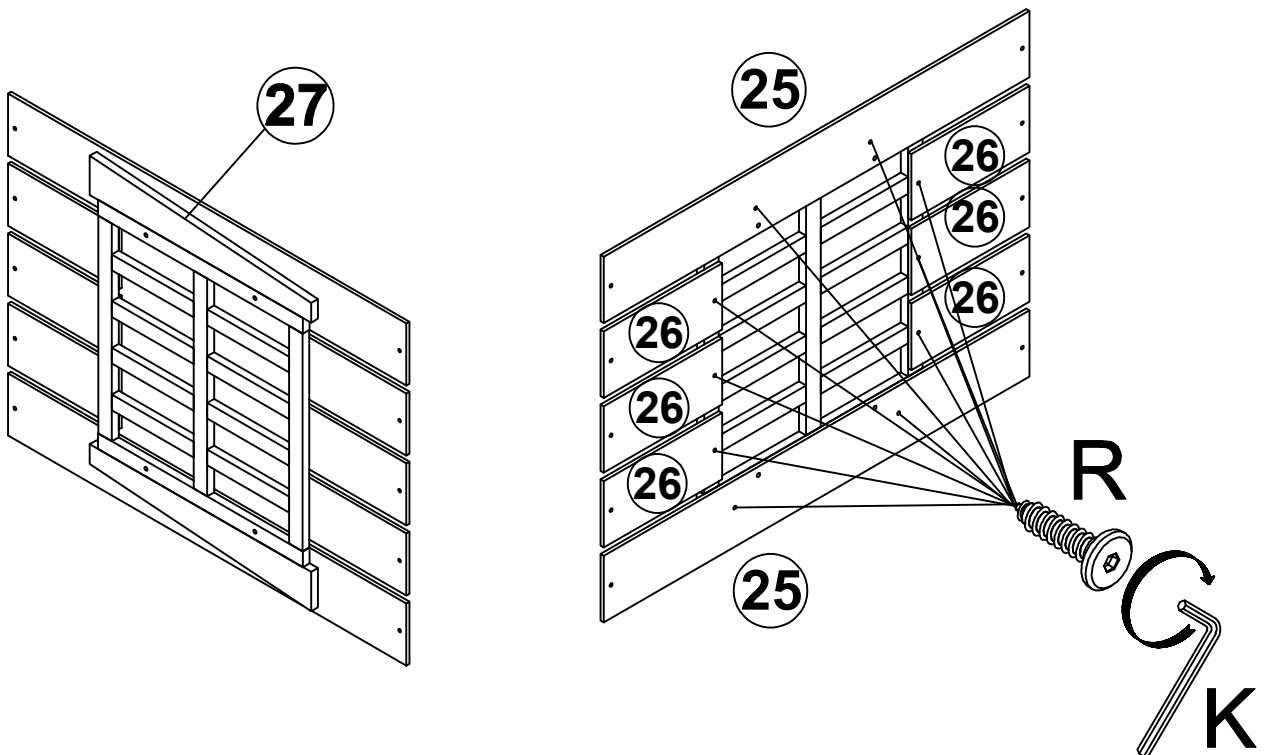
Step 8 :




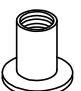
Step 9 :

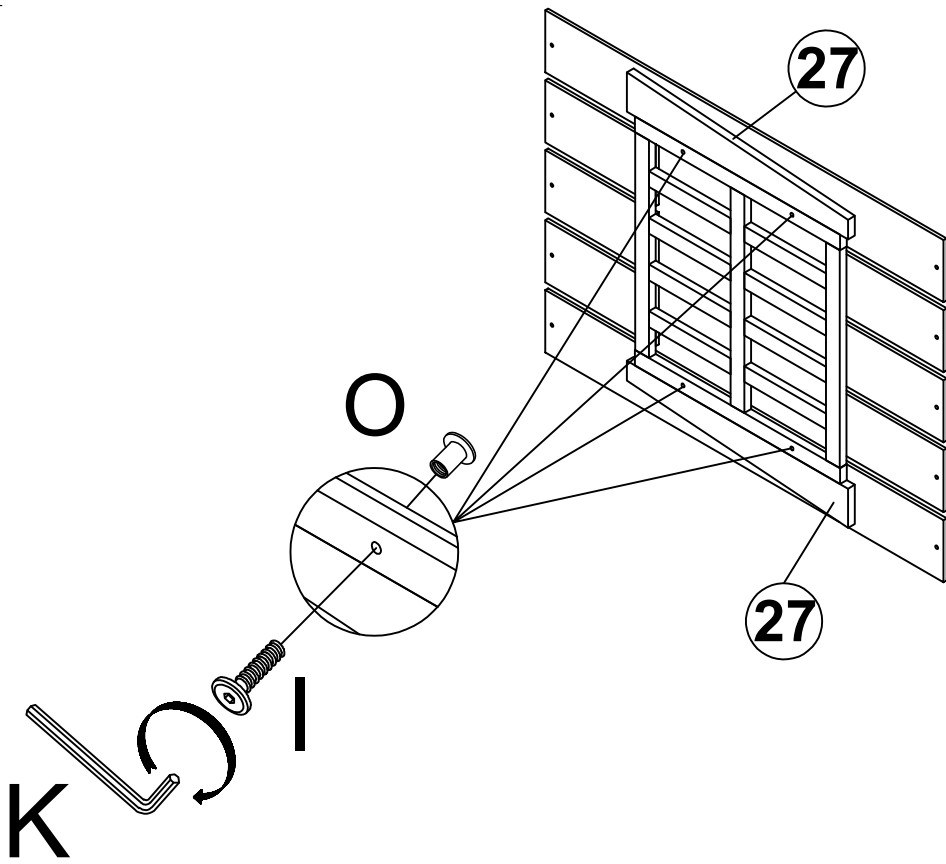


Step 10 :




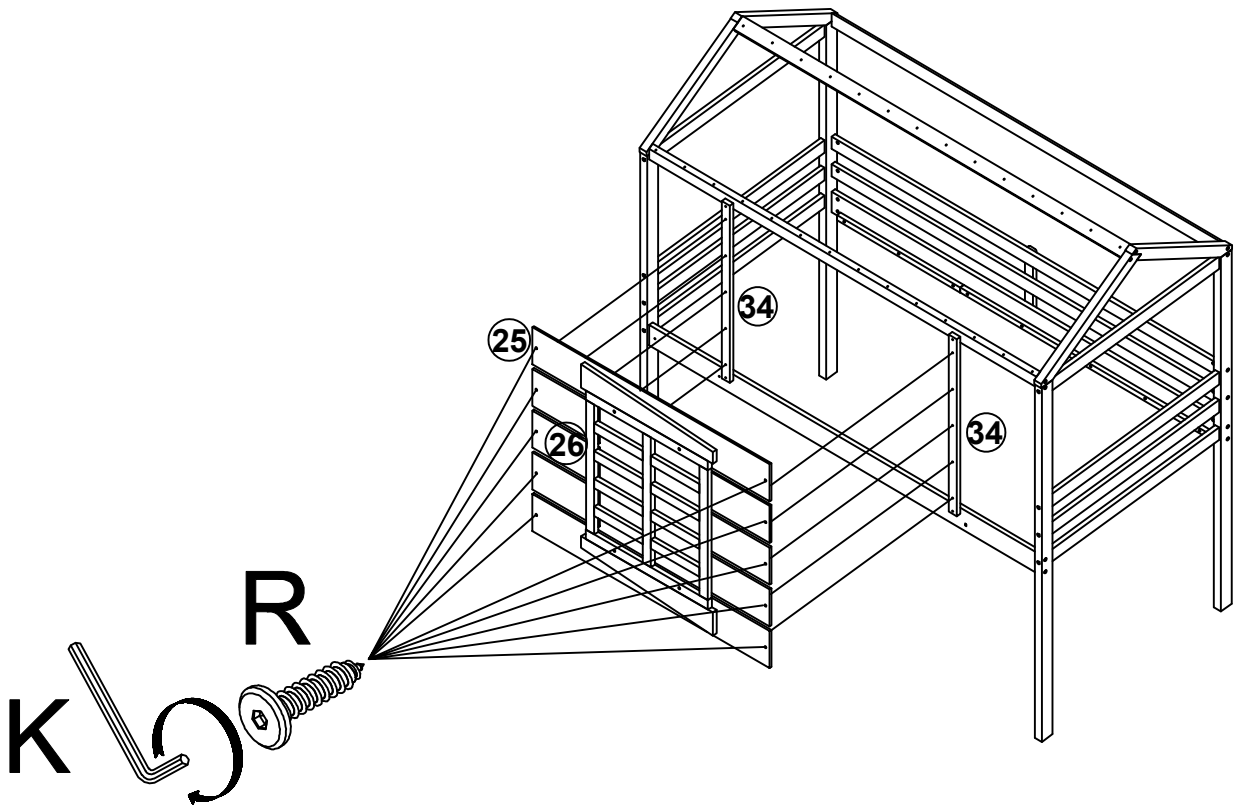
Step 11 :

I		O	
4PCS		4PCS	



Step 12 :

R	
10pcs	

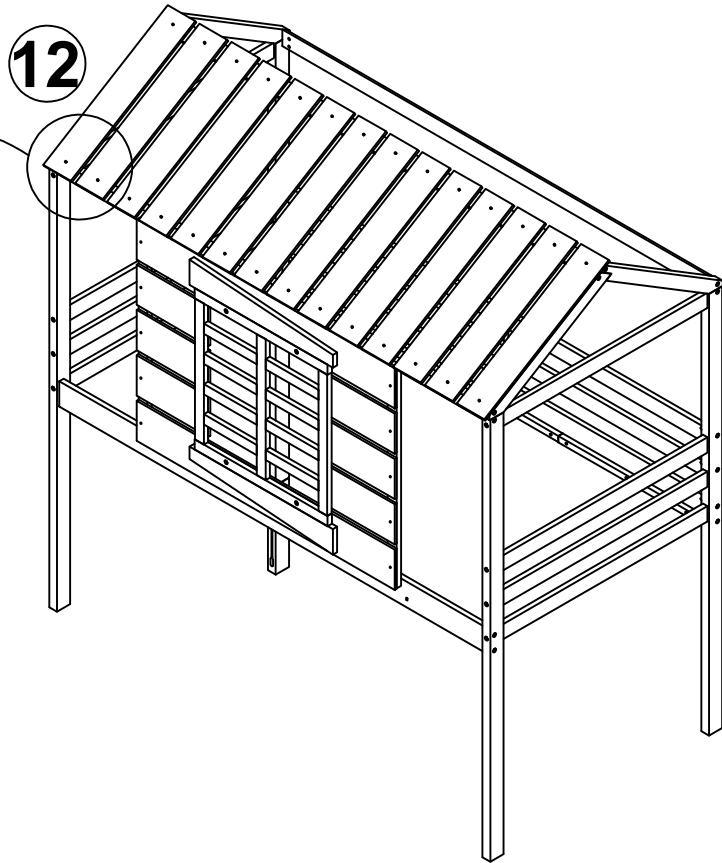
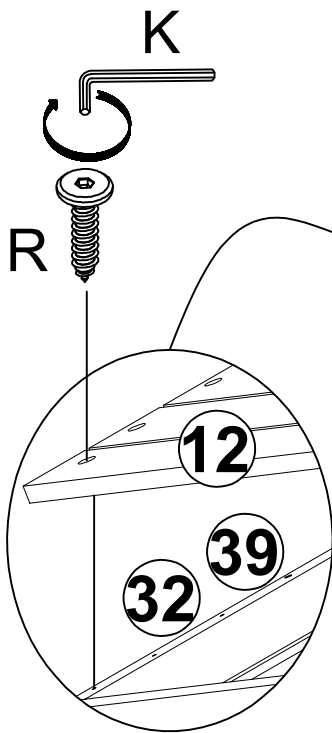


Step 13 :

R



28pcs

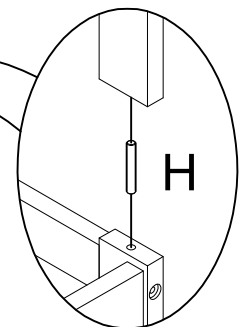
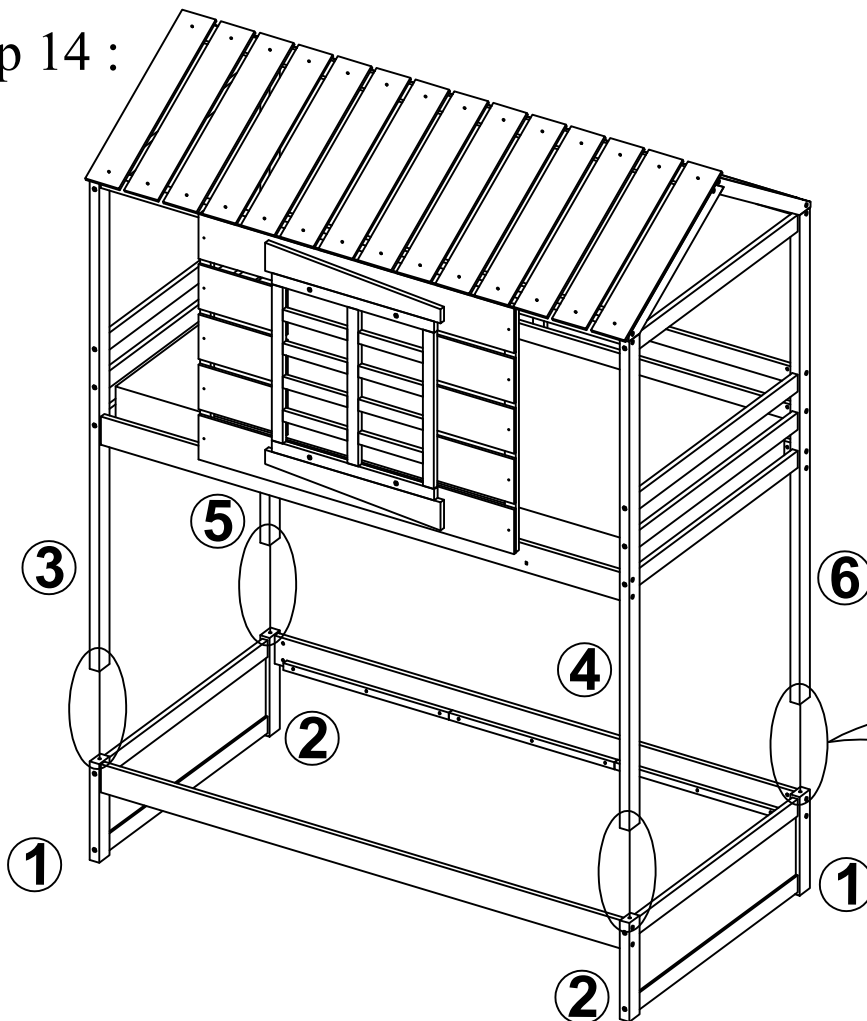


Step 14 :


H



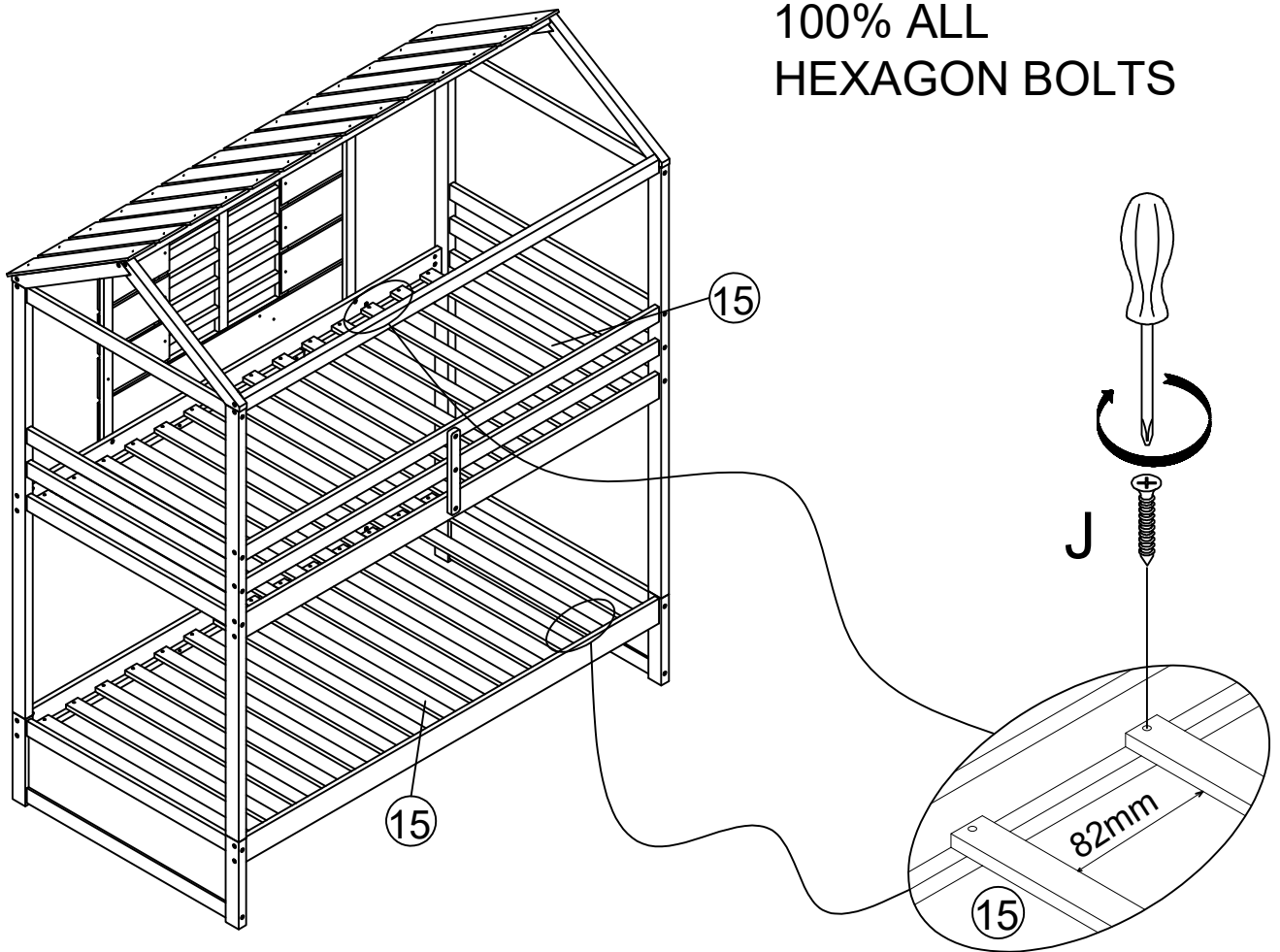
4pcs



Step 15 :

J

56pcs



STEP 3: TIGHTEN
100% ALL
HEXAGON BOLTS

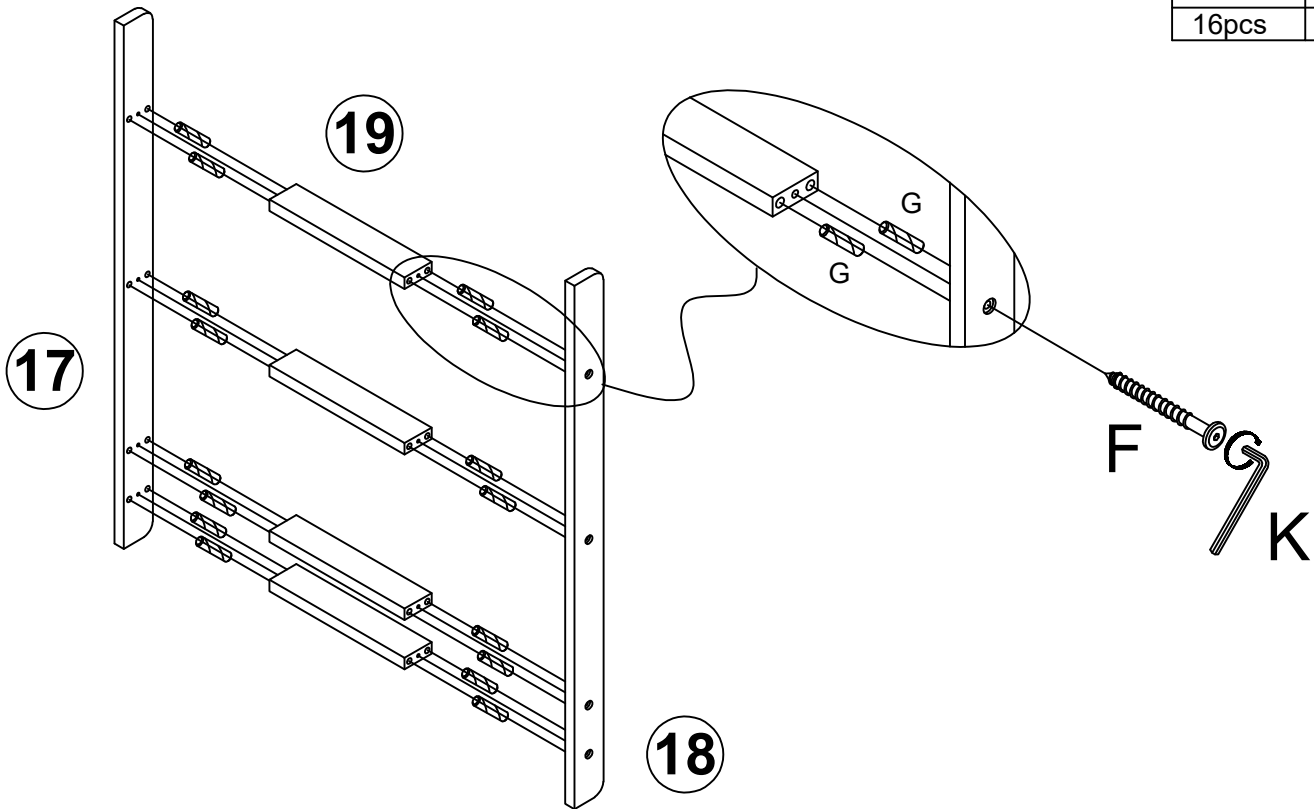


STEP 1: PULL SIDE
RAIL CLOSE
TOGETHER
ENOUGH TO FIT
THE SLATS



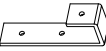
STEP 2: SCREW
ALL SLATS

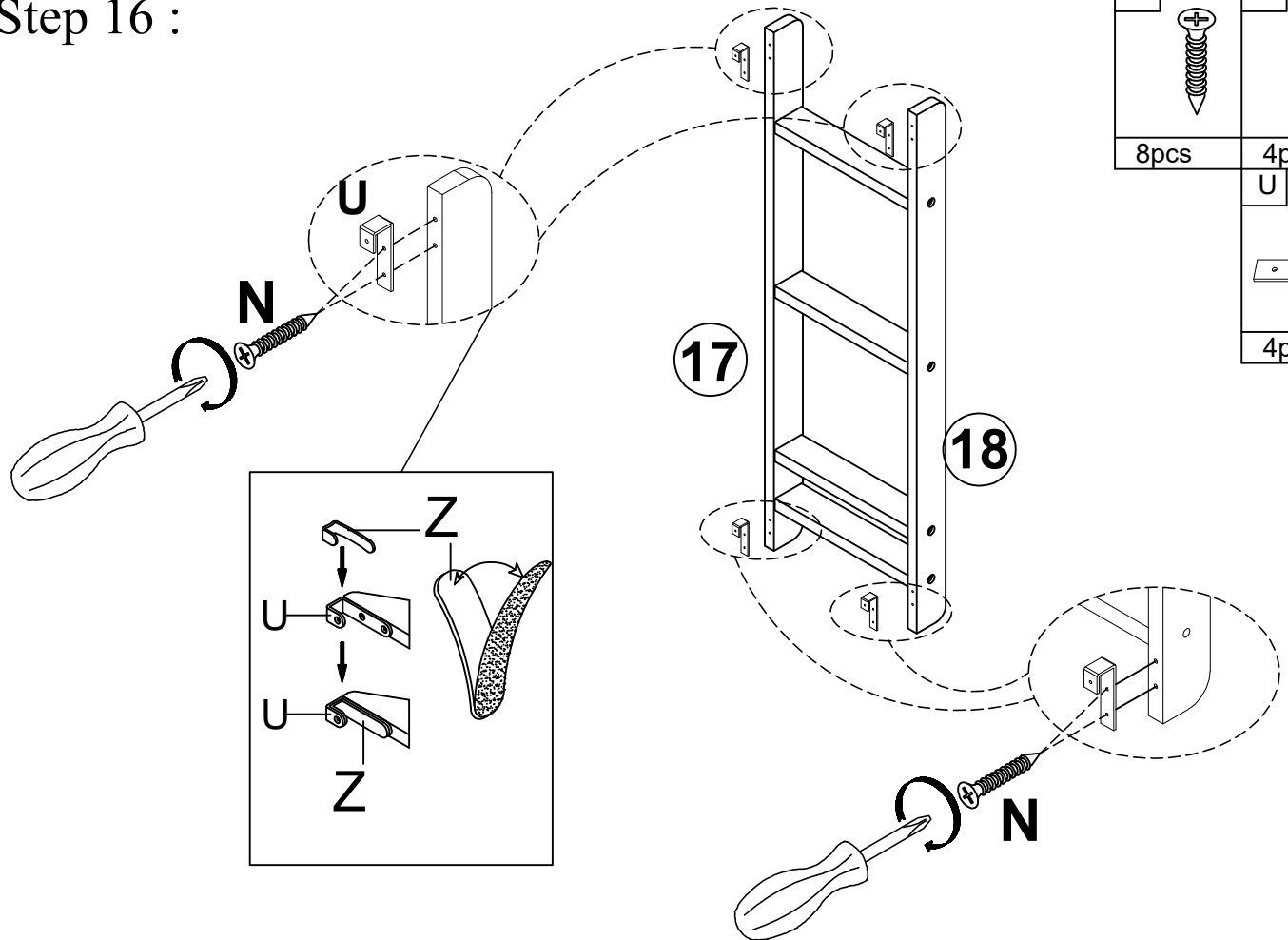
Step 15 :

G		F	
	16pcs		8pcs



Step 16 :

N		Z	
	8pcs		4pcs
		U	
			4pcs

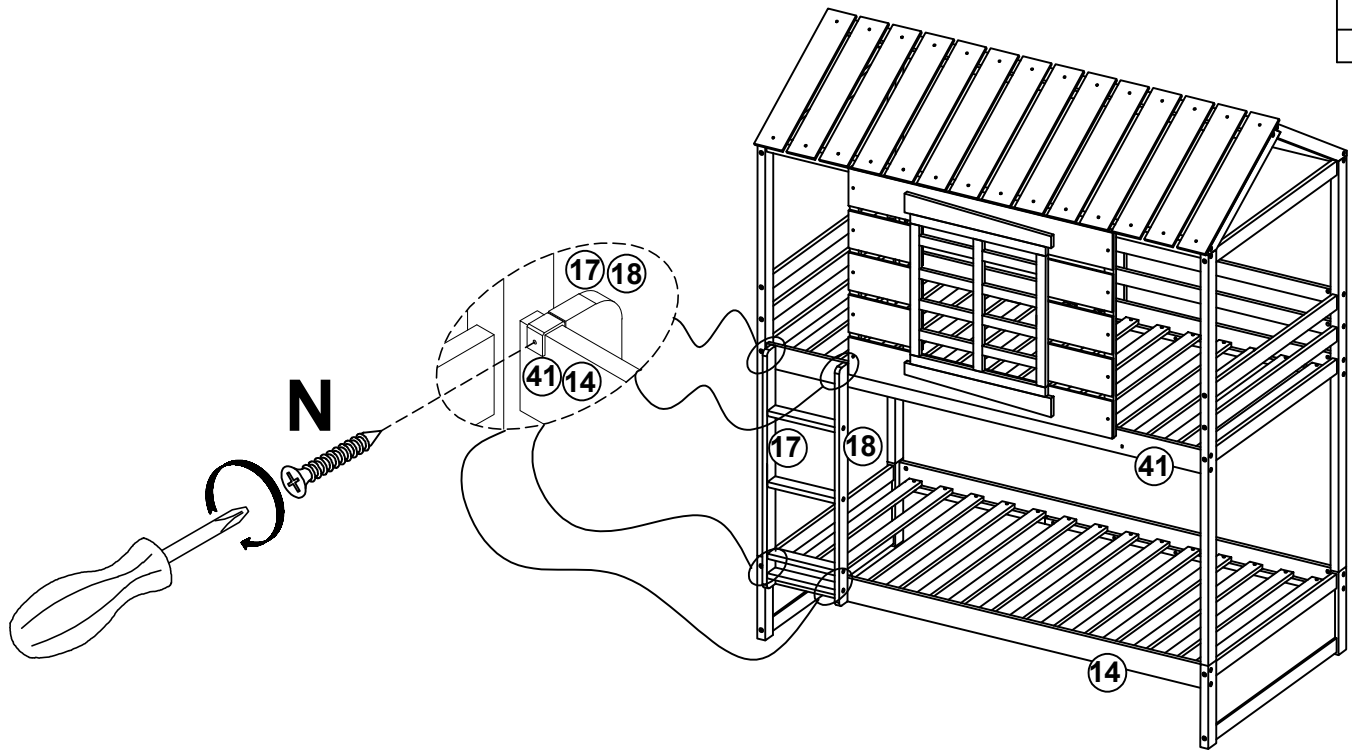


Step 17 :

N



4pcs

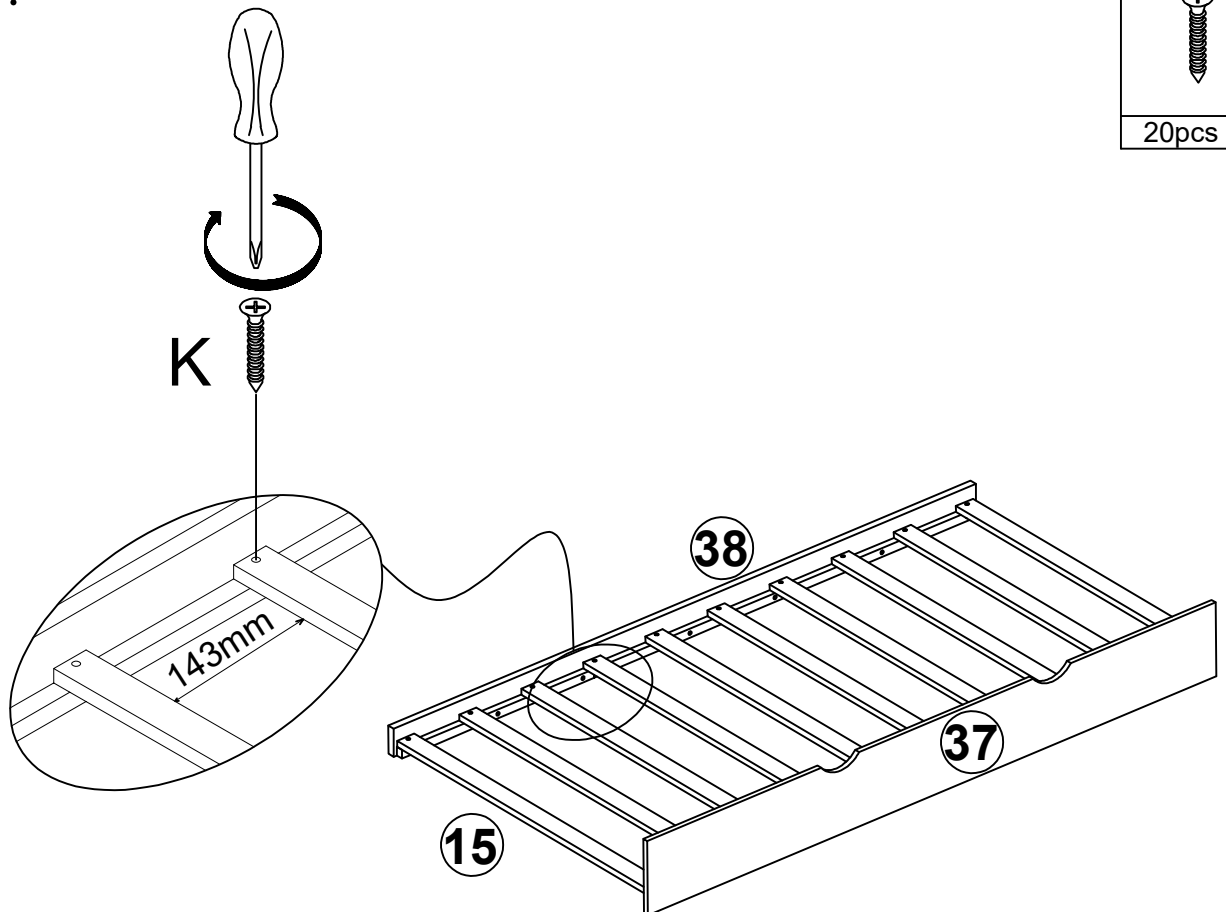


Step 18 :




J

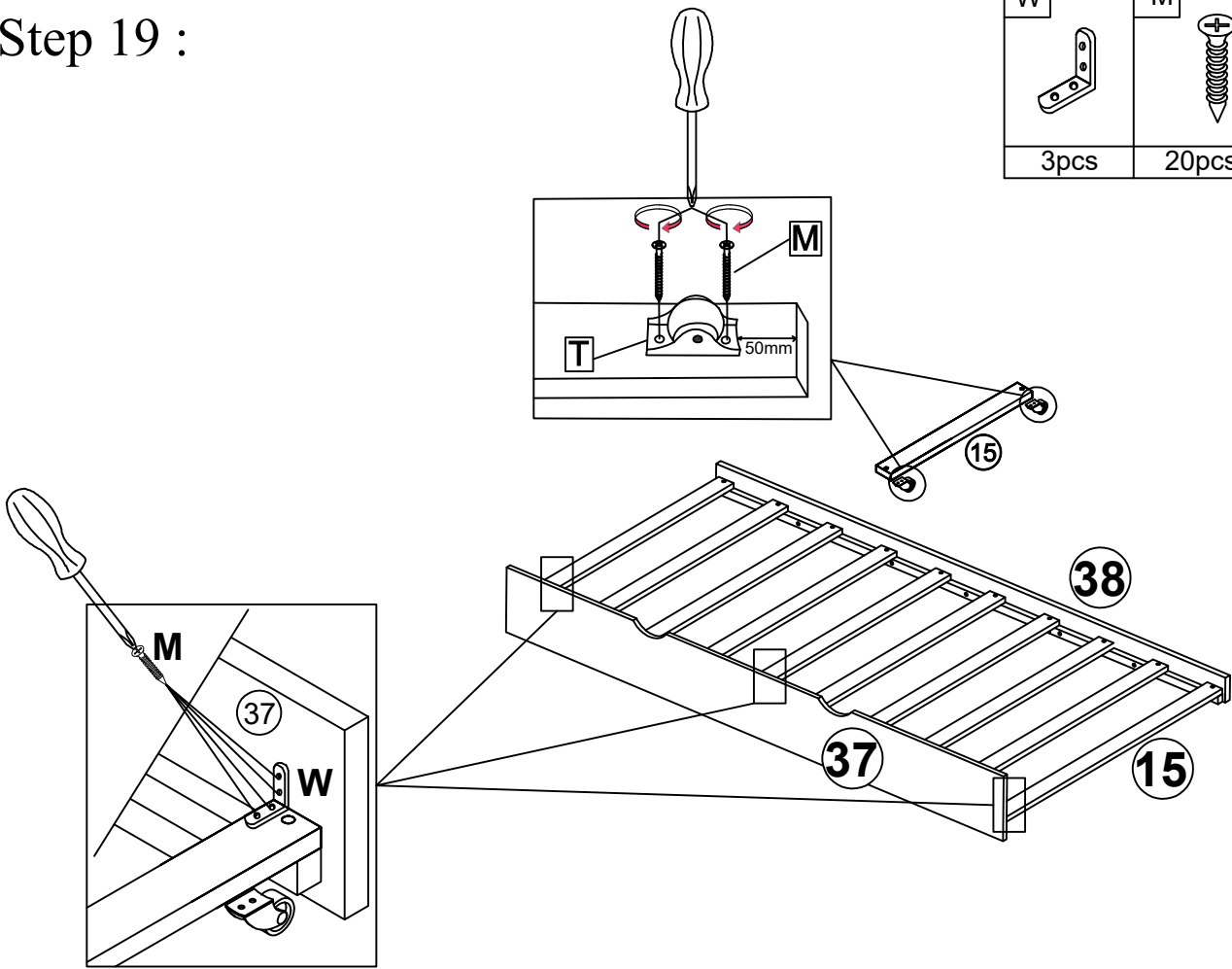


20pcs

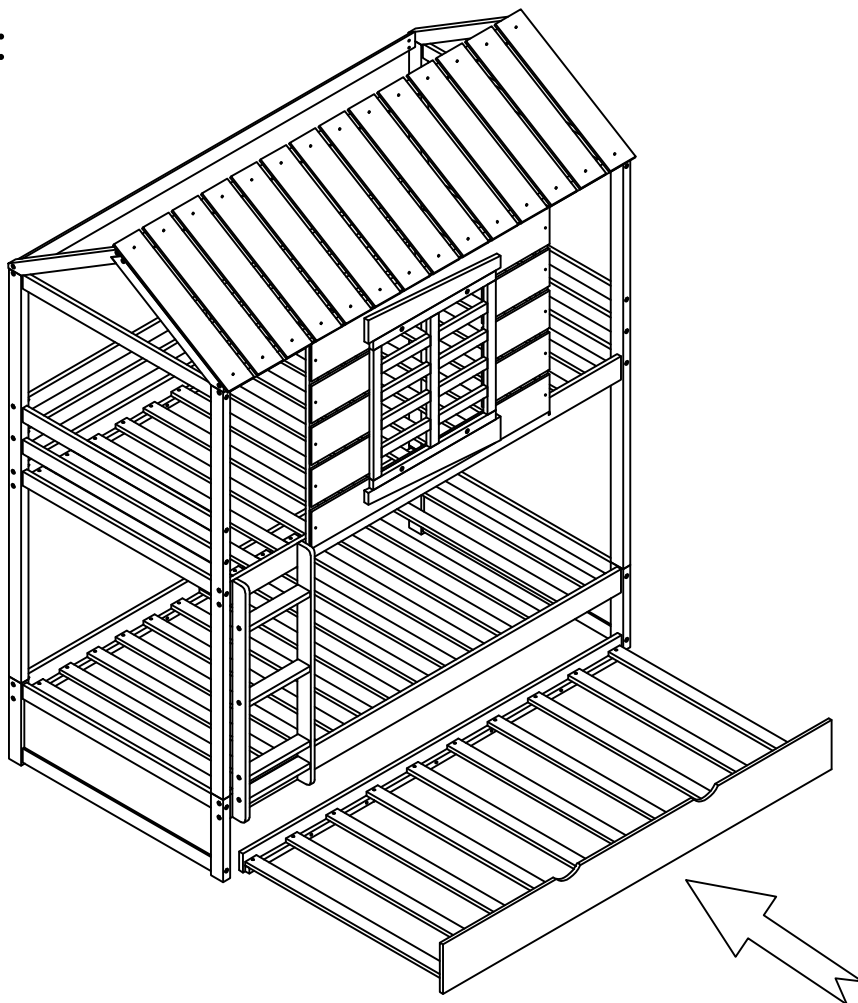


Step 19 :

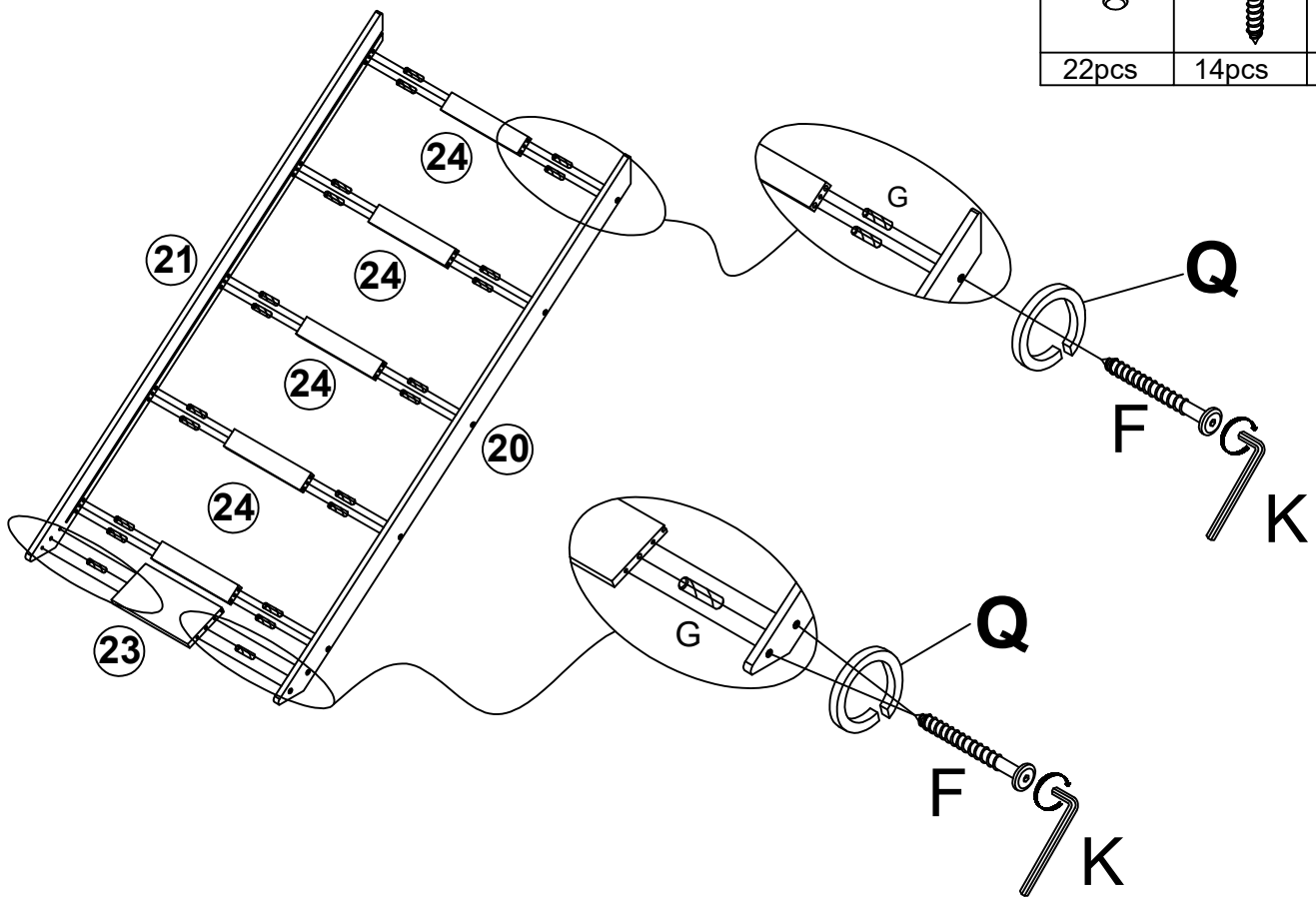
W	M	T
		
3pcs	20pcs	4pcs



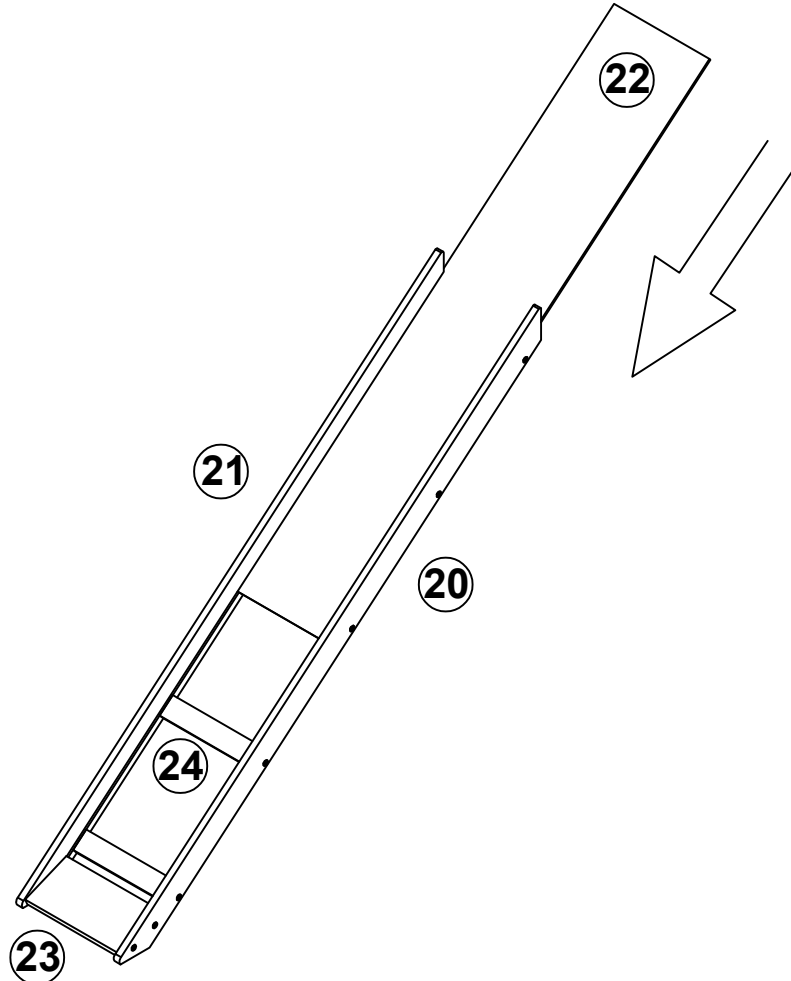
Step 20 :



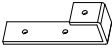


Step 21 :

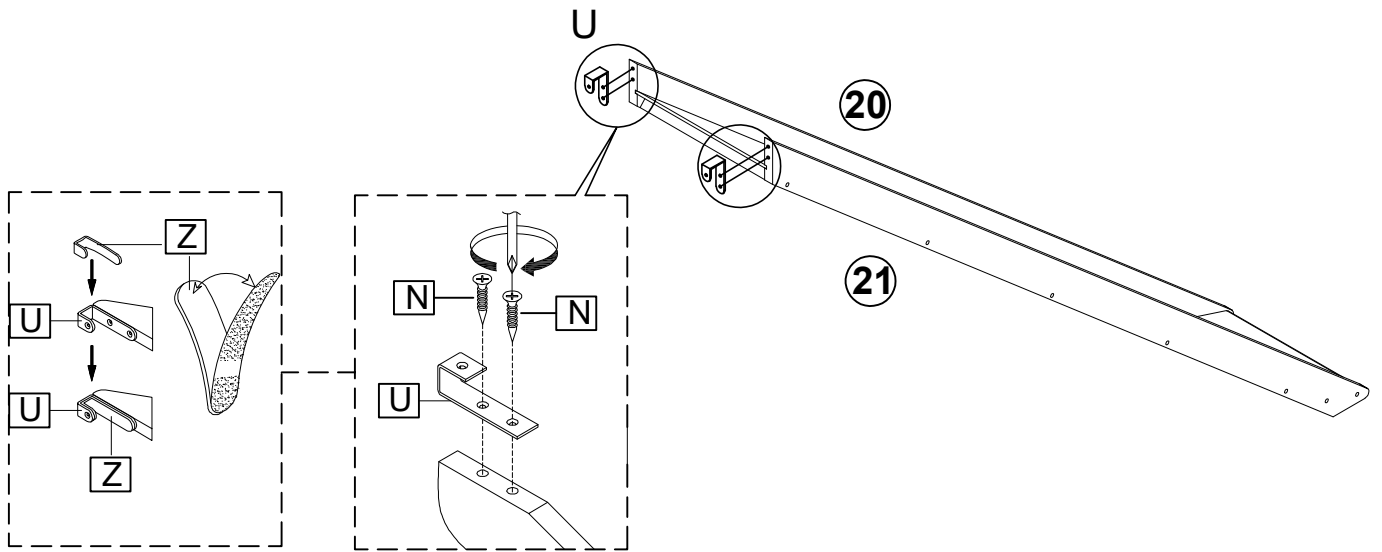


Step 22 :




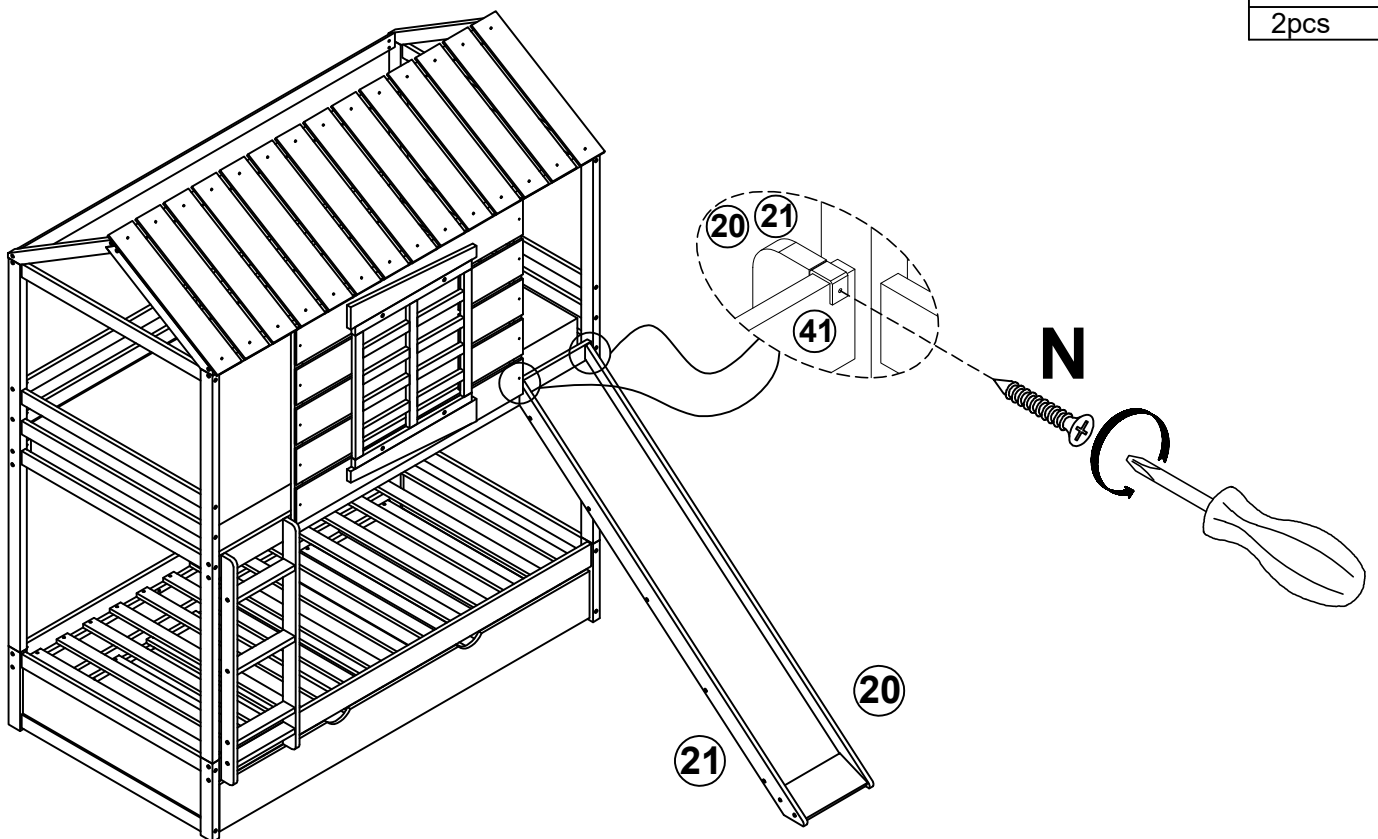
Step 23 :

U	N	Z
		
2pcs	4pcs	2pcs



Step 24 :

N

2pcs



Completed

