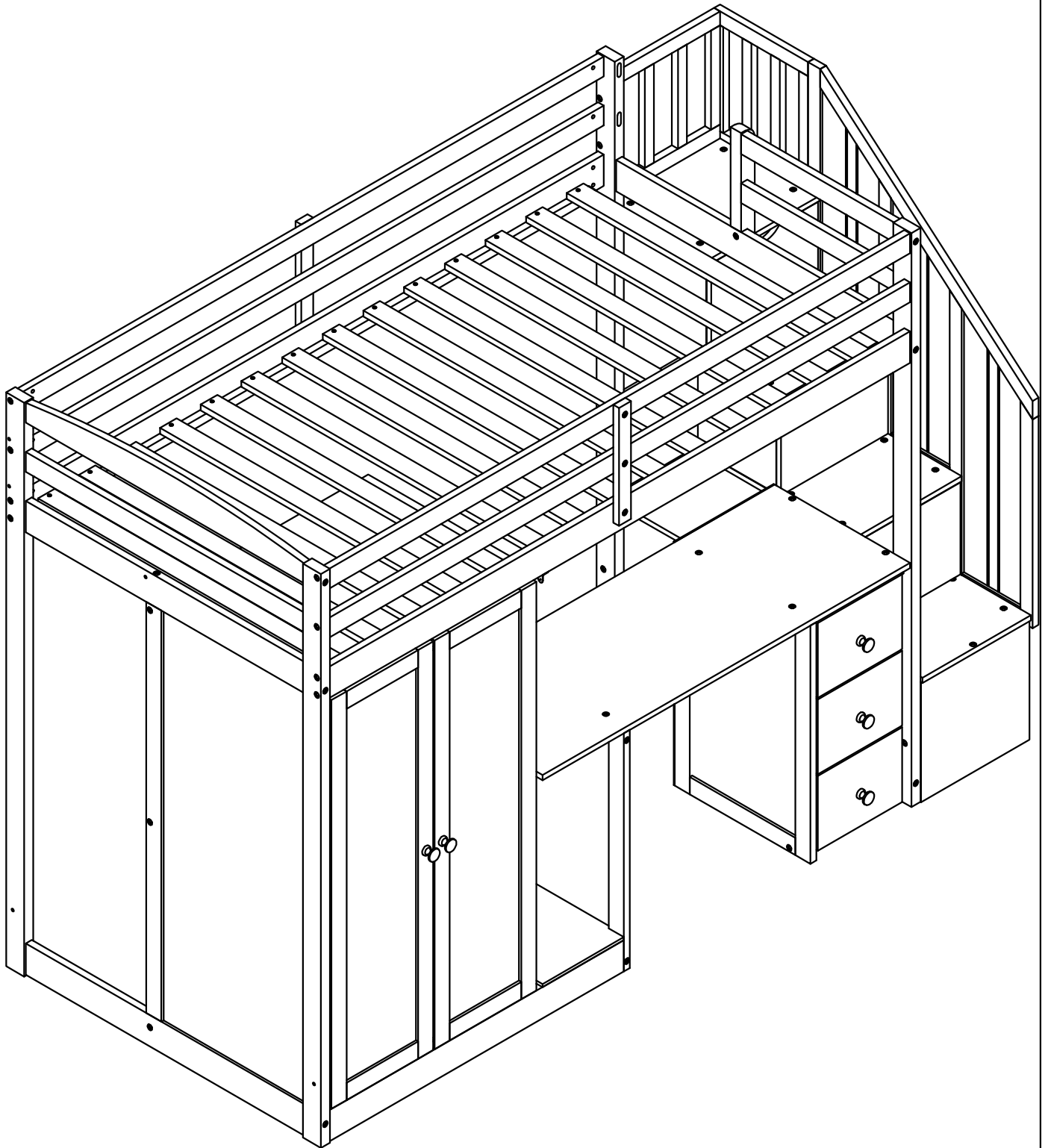


ASSEMBLY INSTRUCTION

SKU CODE: (WF295701-WF295702-WF295703)

This set is included 3 boxes if don't receive full 3 boxes please contact our customer service team



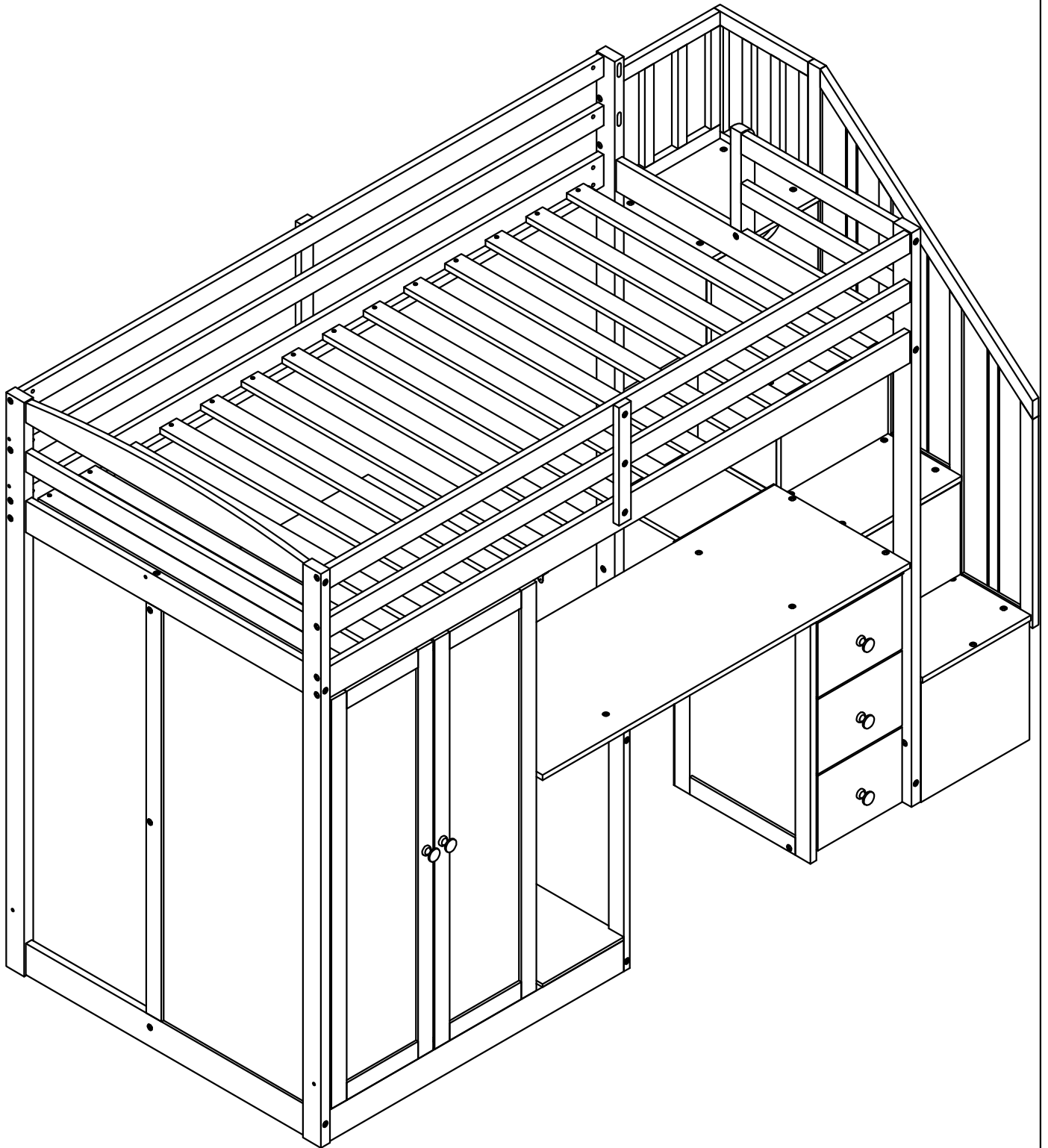
! SAFETY WARNINGS !

1. This bed is designed for use only mattress (es) meeting the following specifications on the upper bunk, and lower bunk

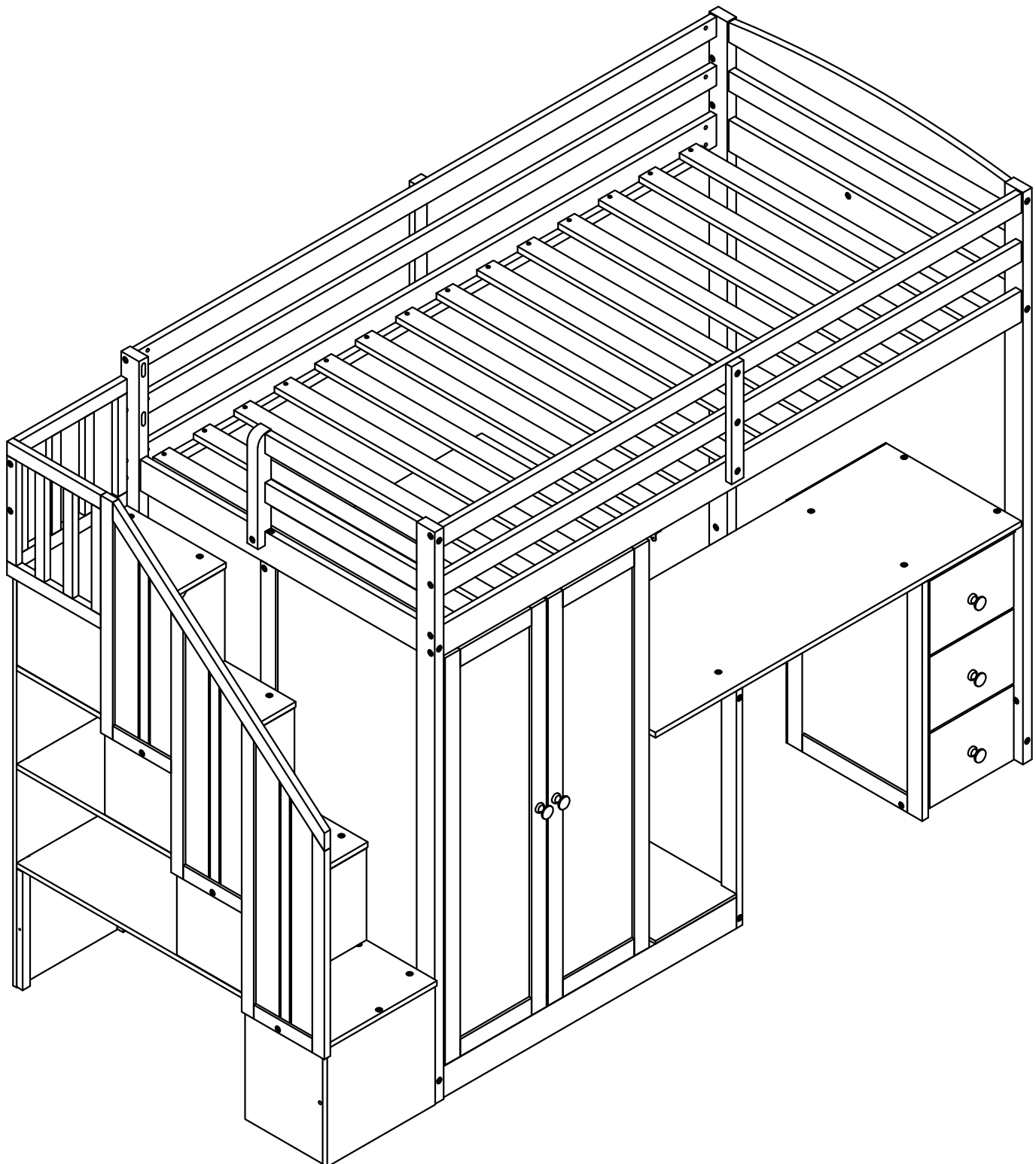
Upper bed Bed Type	Length	Width	Thickness
<i>Twin Standard</i>	<i>74" - 75"</i>	<i>38 1/2"</i>	<i>6" max</i>

2. Replacement parts, including additional guardrails, maybe obtained from any of our (GIGACLOUD TECHNOLOGY (USA) INC. 18961 ARENTH AVENUE CITY OF INDUSTRY, CA, 91748) dealers
3. Follow the information on the warnings appearing on the upper bunk bed end structure and on the carton. Do not remove warning label from bed
4. Always use the recommended size mattresses or mattress supports, or both, to help prevent the likelihood of entrapment or falls.
5. Surface of mattress must be at least 5" (127mm) below the upper edge of guardrails
6. Do not allow children under 6 years of age to use the upper bunk.
7. Periodically check and ensure that the guardrail, ladder, and other components are in their proper position, free from damage, and that all connectors are tight.
8. Do not allow horseplay on or under the bed and prohibit jumping on the bed.
9. Always use the ladder for entering and leaving the upper bunkAlways use the ladder for entering and leaving the upper bunk.
10. Do not use substitute part. Contact the manufacture or dealer for replacement part
11. Use of a night light may provide added safety precaution for a child using the upper bunk..
12. Always use guardrails on both long sides of the upper bunk. If the bunk bed will be placed next to the wall, the guardrail that runs the full length of the bed should be placed against the wall to prevent entrapment between the bed and wall.
13. The use of water or sleep flotation mattresses is prohibited
14. STRANGULATION HAZARD - Never attach or hang items to any part of the bunk bed that are not designed for use with the bed; for example, but not limited to, hook, belts and jump ropes
15. Keep these instruction for future reference
16. Prohibit more than one person on upper bunk
17. We recommend assembling your bunk bed on the shipping carton to protect your floor or carpet
18. Be certain all staples are out of the box before beginning assembly on the shipping carton.

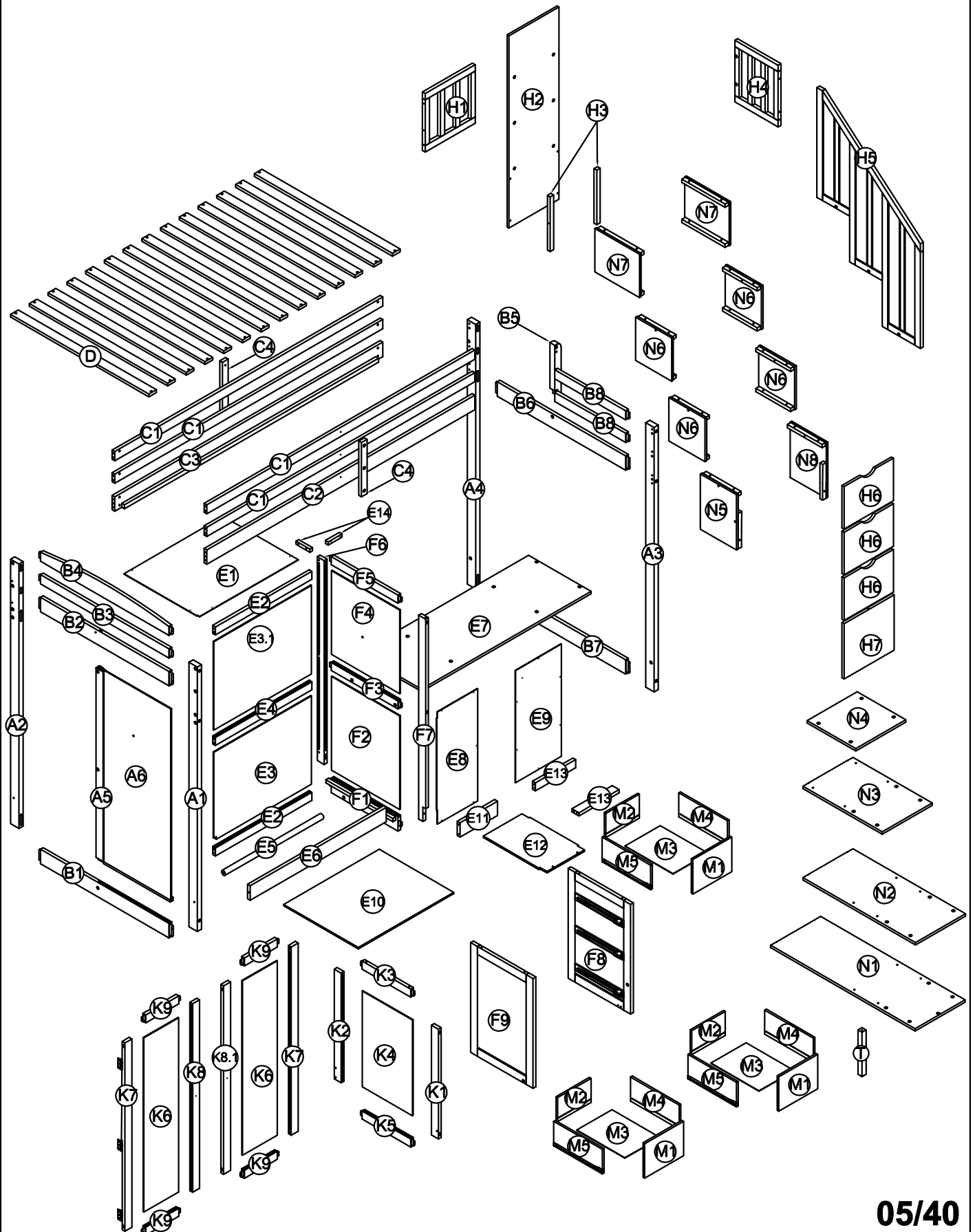
OPTION 1: STAIR IN RIGHT






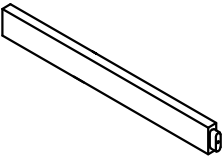
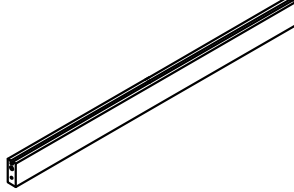
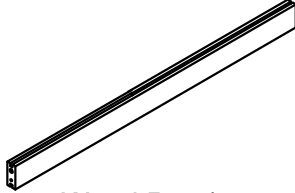
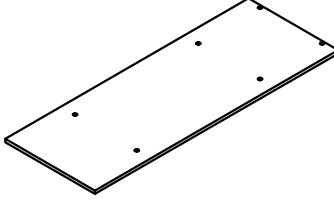
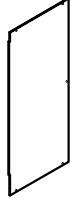
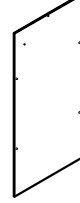
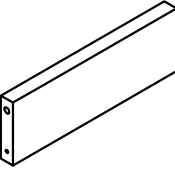
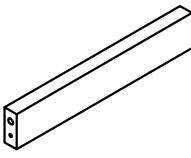
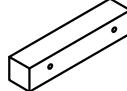

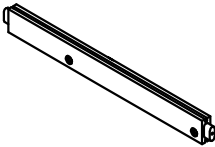
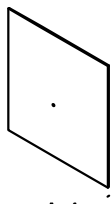
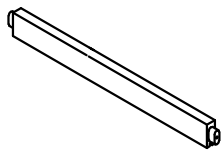





OPTION 2: STAIR IN LEFT



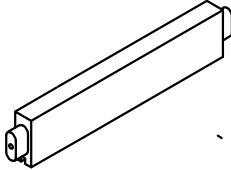
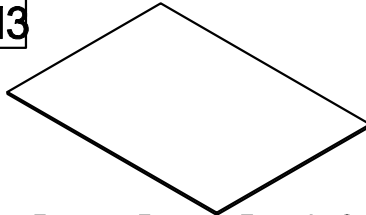
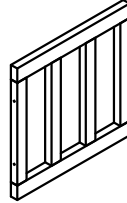
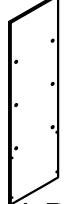



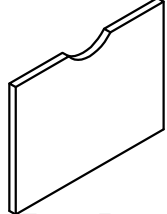
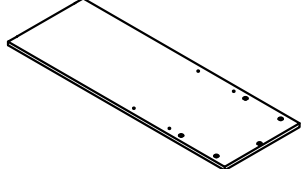
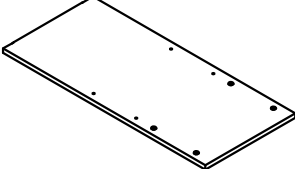
ASSEMBLY INSTRUCTION







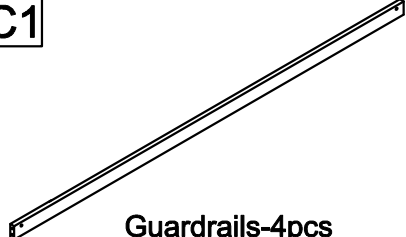
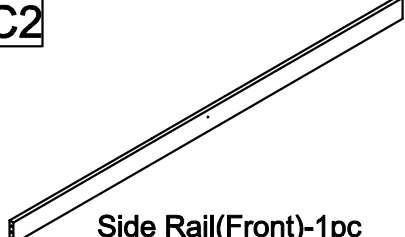
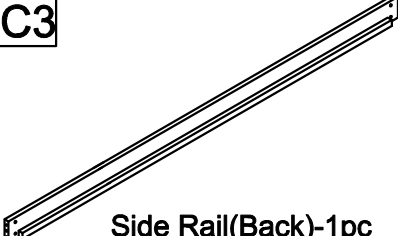


Part List(Box 1-WF295701)

<p>A5</p>  <p>Wood Bar-1pc</p>	<p>A6</p>  <p>Panel-1pc</p>	<p>B5</p>  <p>Rail-1pc</p>
<p>B8</p>  <p>Wood Bars-2pcs</p>	<p>E2</p>  <p>Wood Bars-2pcs</p>	<p>E4</p>  <p>Wood Bar-1pc</p>
<p>E7</p>  <p>Table Top Panel-1pc</p>	<p>E8</p>  <p>Back Panel-1pc</p>	<p>E9</p>  <p>Back Panel-1pc</p>
<p>E11</p>  <p>Wood Bar-1pc</p>	<p>E13</p>  <p>Wood Bars-2pcs</p>	<p>E14</p>  <p>Clients-2pcs</p>
<p>F1</p>  <p>Wood Bar-1pc</p>	<p>F3</p>  <p>Wood Bar-1pc</p>	<p>F4</p>  <p>Panel-1pc</p>
<p>F5</p>  <p>Wood Bar-1pc</p>	<p>F6</p>  <p>Wood Bar-1pc</p>	<p>F7</p>  <p>Wood Bar-1pc</p>
<p>K6</p>  <p>Door-Panels-2pcs</p>	<p>K8</p>  <p>Door-Wood Bar-1pc</p>	<p>K8.1</p>  <p>Door-Wood Bar-1pc</p>

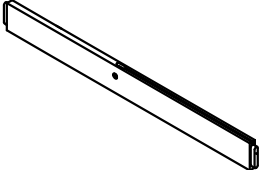
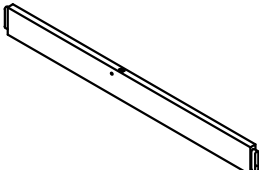
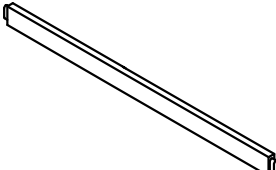
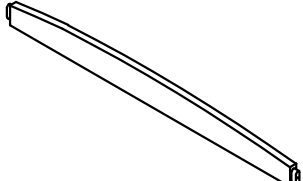
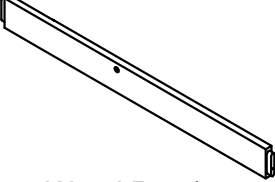

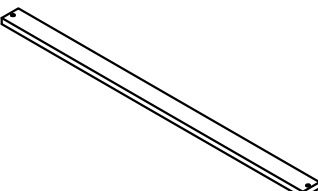
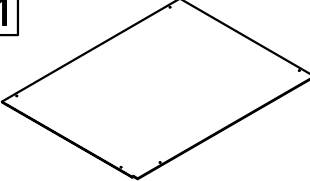
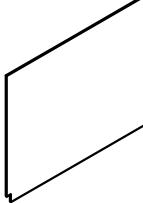
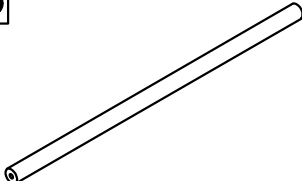
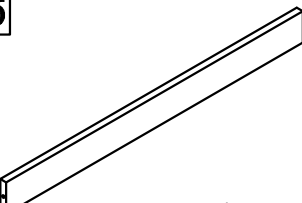
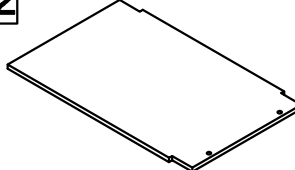
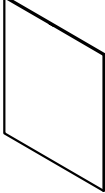
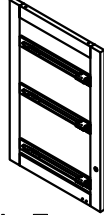
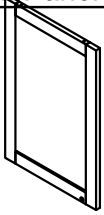


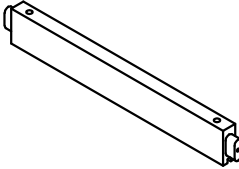

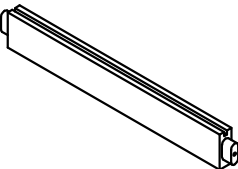
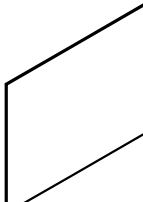
Part List(Box 1-WF295701)

<p>K9</p>  <p>Door-Wood Bars-4pcs</p>	<p>M3</p>  <p>Drawer-Bottom Panels-3pcs</p>	<p>H1</p>  <p>Stair-Back Frame-1pc</p>
<p>H2</p>  <p>Stair-Back Panel-1pc</p>	<p>H3</p>  <p>Stair-Clients-2pcs</p>	<p>H4</p>  <p>Stair-Side Frame-1pc</p>
<p>H5</p>  <p>Stair-Side Frame-1pc</p>	<p>H6</p>  <p>Stair-Front Panels-3pcs</p>	<p>N1</p>  <p>Stair-Panle-1pc</p>
<p>N2</p>  <p>Stair-Panle-1pc</p>		

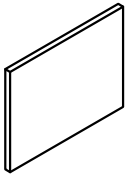
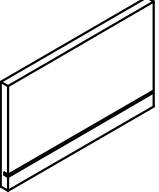
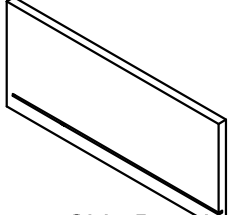
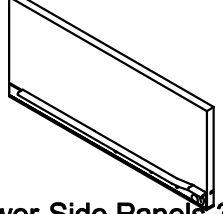
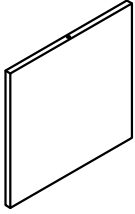
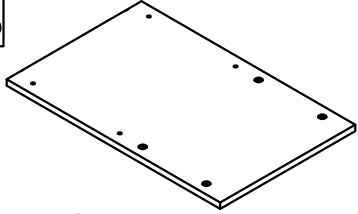
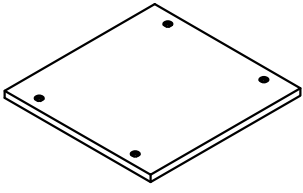
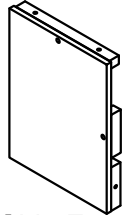
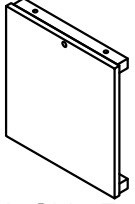
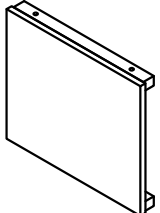
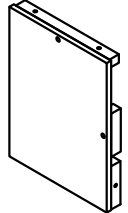

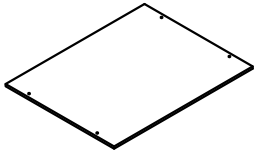
Part List & Hardware List(Box 2-WF295702)

A1  Leg-1pc	A2  Leg-1pc	A3  Leg-1pc
A4  Leg-1pc	C1  Guardrails-4pcs	C2  Side Rail(Front)-1pc
C3  Side Rail(Back)-1pc	C4  Rails-2pcs	K7  Door-Wood Bars-2pcs

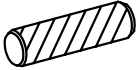





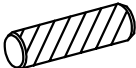


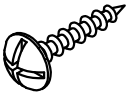


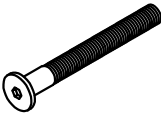

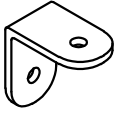


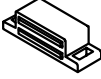
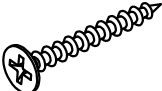

Part List(Box 3-WF295703)

<p>B1</p>  <p>Wood Bar-1pc</p>	<p>B2</p>  <p>Wood Bar-1pc</p>	<p>B3</p>  <p>Wood Bar-1pc</p>
<p>B4</p>  <p>Wood Bar-1pc</p>	<p>B6</p>  <p>Wood Bar-1pc</p>	<p>B7</p>  <p>Wood Bar-1pc</p>
<p>D</p>  <p>Slats-14pcs</p>	<p>E1</p>  <p>Top Panel-1pc</p>	<p>E3</p>  <p>Panels-1pc</p>
<p>E5</p>  <p>Wood Bar-1pc</p>	<p>E6</p>  <p>Wood Bar-1pc</p>	<p>E12</p>  <p>Bottom Panel-1pc</p>
<p>F2</p>  <p>Panel-1pc</p>	<p>F8</p>  <p>Side Frame-1pc</p>	<p>F9</p>  <p>Side Frame-1pc</p>
<p>K1</p>  <p>Wood Bar-1pc</p>	<p>K2</p>  <p>Wood Bar-1pc</p>	<p>K3</p>  <p>Wood Bar-1pc</p>
<p>K4</p>  <p>Panel-1pc</p>	<p>K5</p>  <p>Wood Bar-1pc</p>	<p>E3.1</p>  <p>Panels-1pc</p>

Part List(Box 3-WF295703)

<p>M1</p>  <p>Drawer-Front Panels-3pcs</p>	<p>M2</p>  <p>Drawer-Back Panels-3pcs</p>	<p>M4</p>  <p>Drawer-Side Panels-3pcs</p>
<p>M5</p>  <p>Drawer-Side Panels-3pcs</p>	<p>H7</p>  <p>Stair-Front Panel-1pc</p>	<p>N3</p>  <p>Stair-Panle-1pc</p>
<p>N4</p>  <p>Stair-Panle-1pc</p>	<p>N5</p>  <p>Stair-Side Frame-1pc</p>	<p>N6</p>  <p>Stair-Side Frames-4pcs</p>
<p>N7</p>  <p>Stair-Side Frames-2pcs</p>	<p>N8</p>  <p>Stair-Side Frame-1pc</p>	<p>T</p>  <p>Center Leg-1pc</p>
<p>E10</p>  <p>Bottom Panel-1pc</p>		

Hardware List(Box 2-WF295702)

<p>1</p>  <p>Ø10 x 40 mm Wood dowel 14pcs</p>	<p>2</p>  <p>Screws 1/4" x60 22pcs</p>	<p>3</p>  <p>Screws 1/4" x100 2pcs</p>
<p>4</p>  <p>Screws 1/4" x80 12pcs</p>	<p>5</p>  <p>Ø1/4" x 35 mm Hex-Head bolts 1pc</p>	<p>6</p>  <p>Ø1/4" x 15 mm Canopy head through -1pc</p>
<p>7</p>  <p>Ø8 x 30 mm Wood dowel 14pcs</p>	<p>8</p>  <p>Screws 1/4" x50 20pcs</p>	<p>9</p>  <p>M4 x 20 mm Wood Screws 4pcs</p>
<p>10</p>  <p>M4 x 15 mm Wood Screws 36pcs</p>	<p>11</p>  <p>M4 x 30 mm Wood Screws 60pcs</p>	<p>12</p>  <p>Screws 1/4" x30 48pcs</p>
<p>13</p>  <p>Ø1/4" x 80 mm Hex-Head bolts 16pcs</p>	<p>14</p>  <p>Ø1/4" x 13 mm Horizontal-Hole bolts 24pcs</p>	<p>15</p>  <p>Steel Bracket 1pc</p>
<p>16</p>  <p>Allen Key 1pc</p>	<p>17</p>  <p>Ø1/6" x 25 mm Hex-Head bolts 5pcs</p>	<p>18</p>  <p>Door Catches 45x17x13 10pcs</p>
<p>19</p>  <p>M3 x 12 mm Wood Screws 36pcs</p>	<p>20</p>  <p>Ø1/4" x 25 mm Hex-Head bolts 3pcs</p>	

22



Handle Wood
5pcs

23

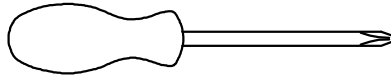


Ø1/4" x 60 mm
Hex-Head bolts 8pcs

24



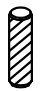

Screws 1/4" x40
2pcs

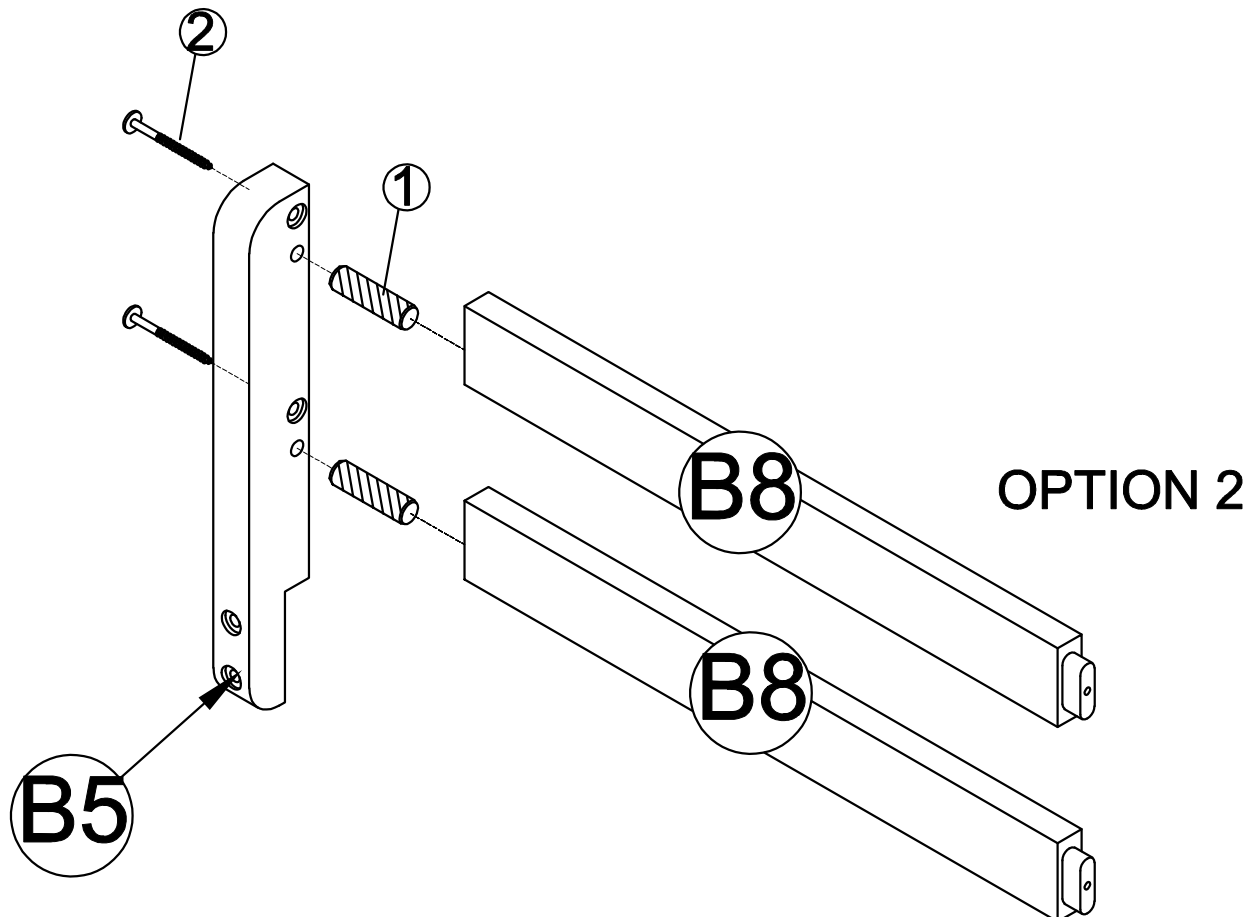
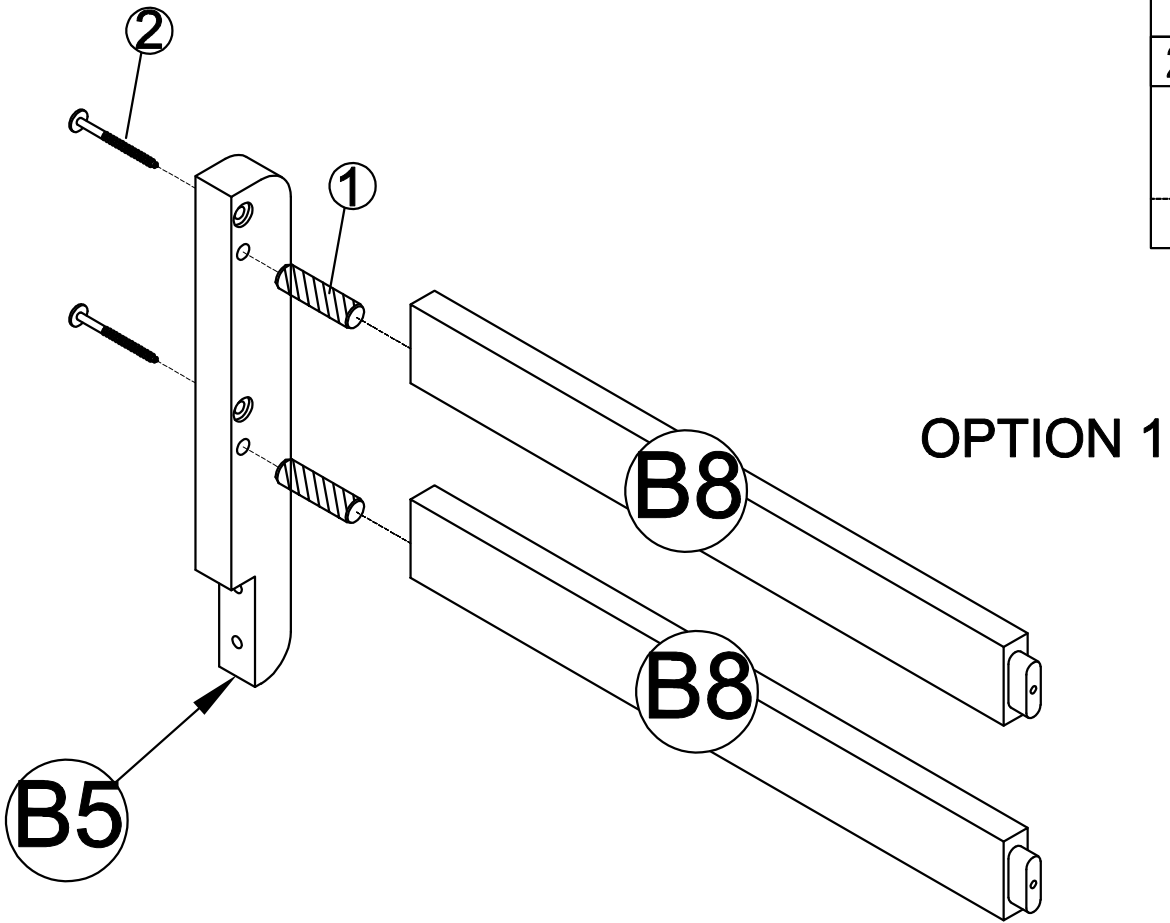


Assembly Tools Required (Not Included)

STEP 1: Following below illustration:

-Using hardware #2 and Dowel 1 connect B5 Rail with B8(x2) Wood Bars



1	
	2pcs
2	
	2pcs

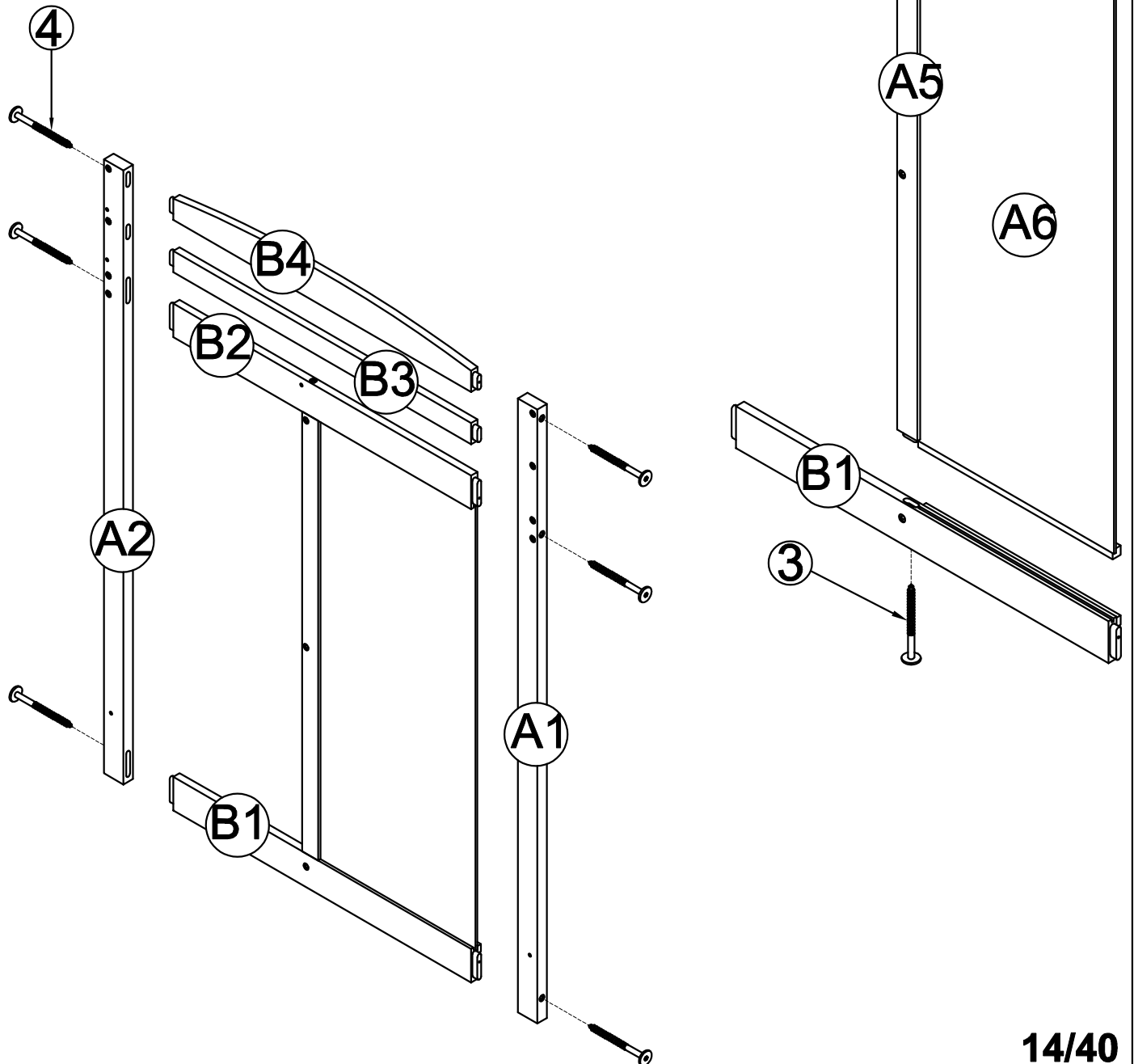


STEP 2 (OPTION 1): Following below illustration:.

2.1: Using hardware #3 connect A5 Wood Bar and A6 Panel with B1, B2 Wood Bars

2.2: Using hardware #4 connect A1, A2 Legs with B3, B4 Wood Bars and Frame (completed on step 2.1, step 1)

4	3
	
6pcs	2pcs



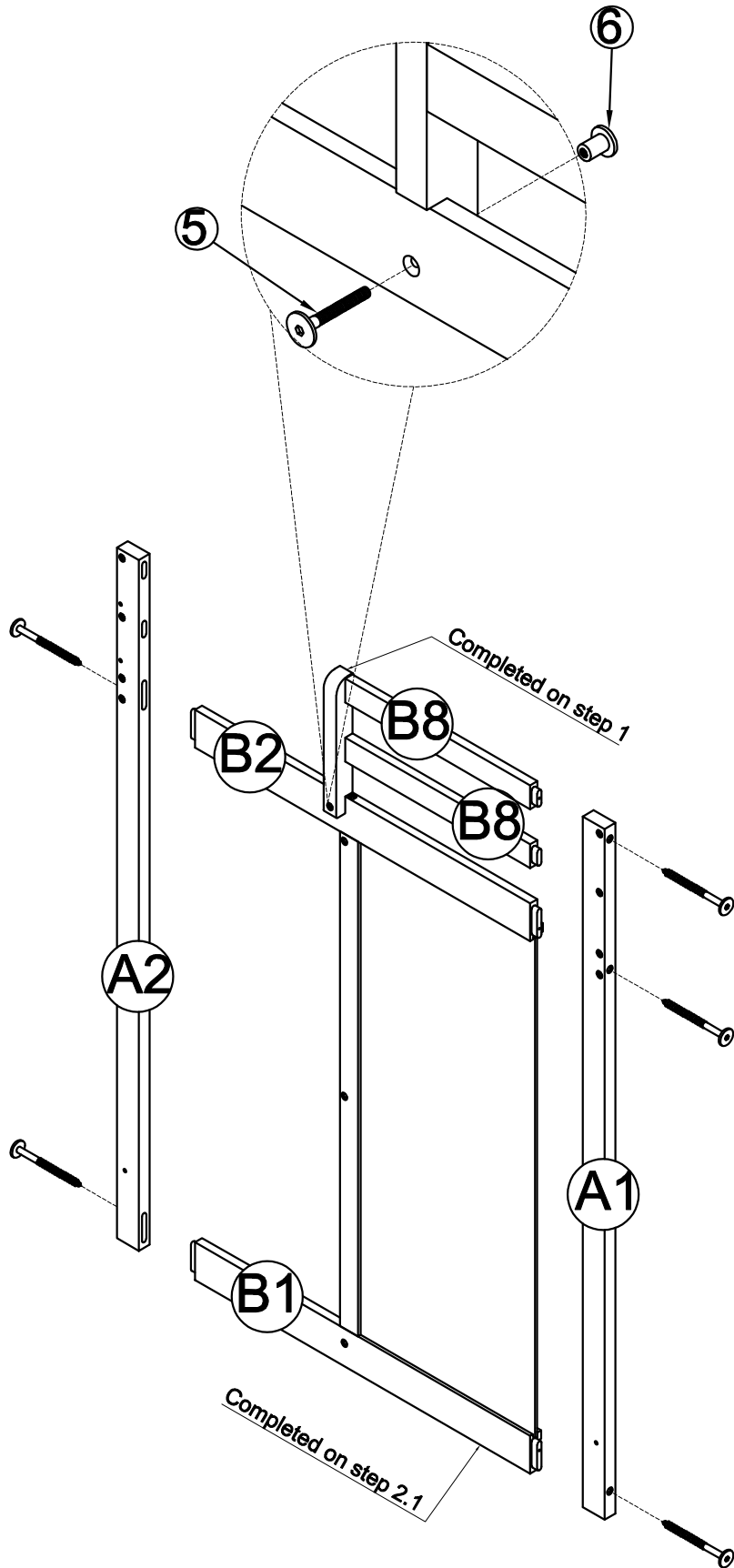
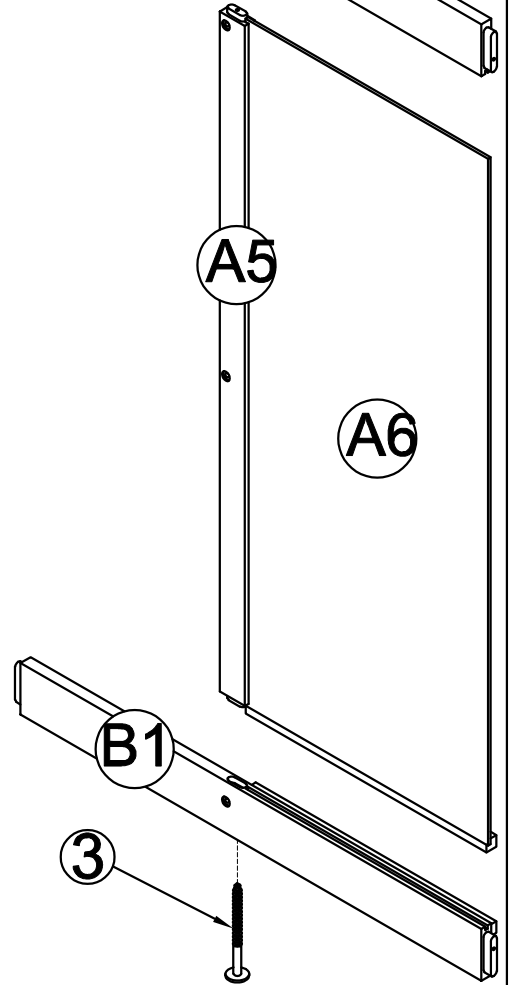
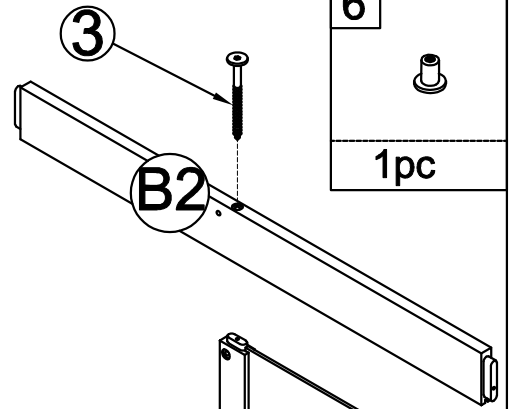
STEP 2 (OPTION 2):

Following below illustration:

- 2.1: Using hardware #3 connect A5 Wood Bar and A6 Panel with B1, B2 Wood Bars
- 2.2: Using hardware #4, #5, #6 connect A1, A2 Legs with Frame (completed on step 2.1)

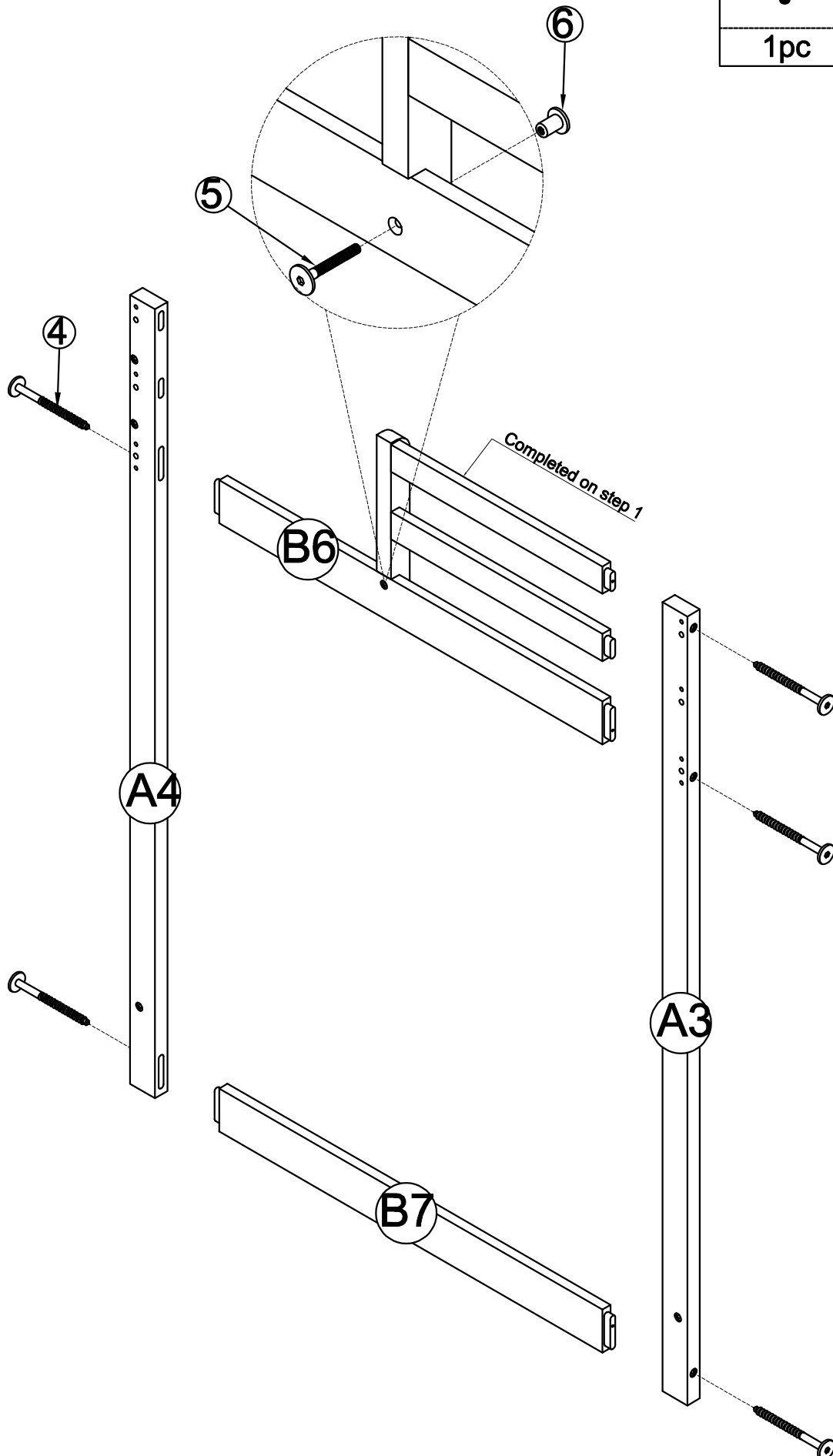
5	4	3
1pc	5pcs	2pcs




6
1pc



STEP 3 (OPTION 1): Following below illustration:

-Using hardware #4,#5,#6 connect A3,A4 Legs with B6,B7 Wood Bars and Frame(completed on step 1)



5		4	
	1pc		5pcs
		6	
			1pc

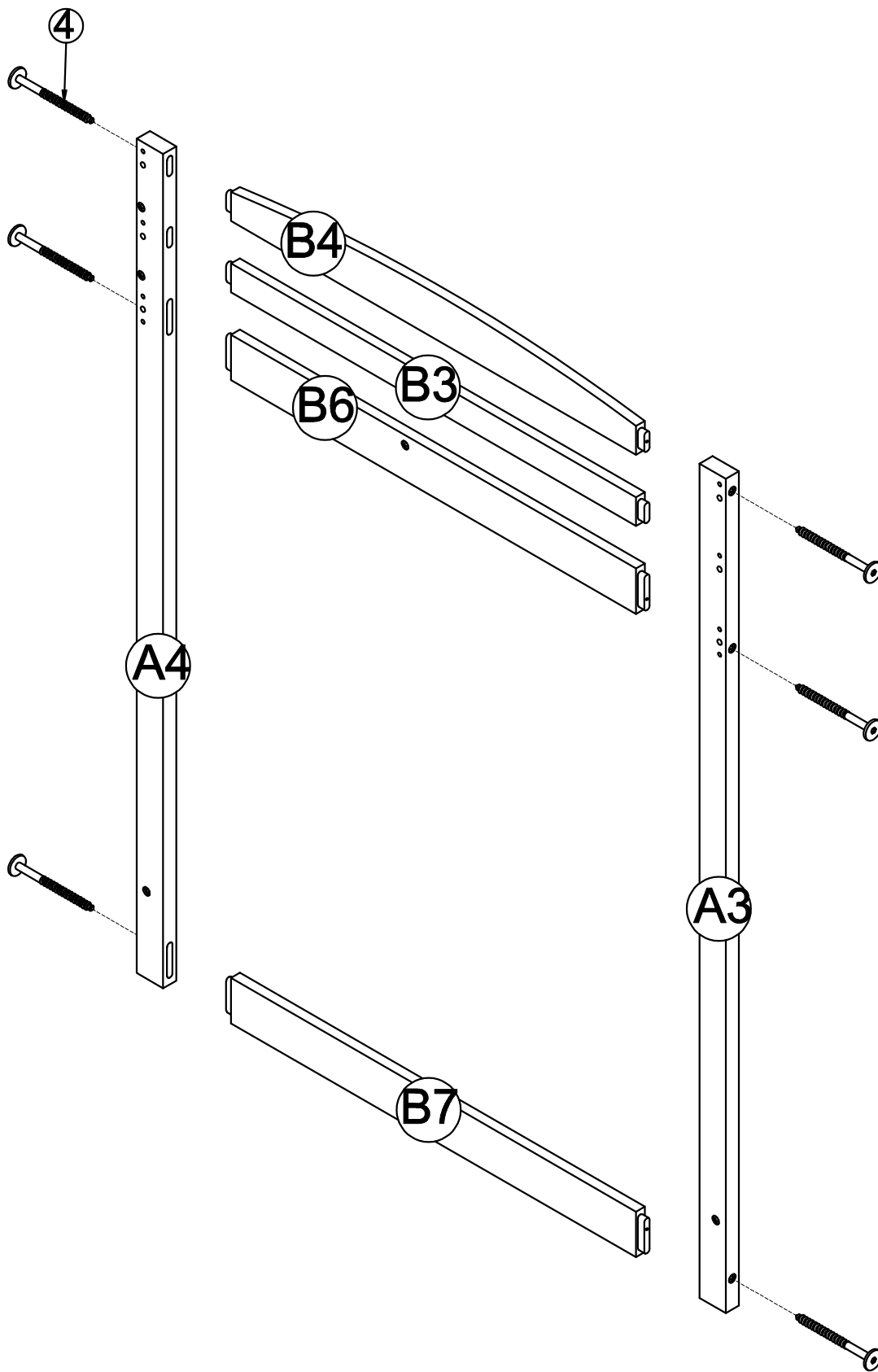
STEP 3 (OPTION 2): Following below illustration:

-Using hardware #4 connect A3,A4 Legs with B3,B4,B6,B7 Wood Bars

4



6pcs

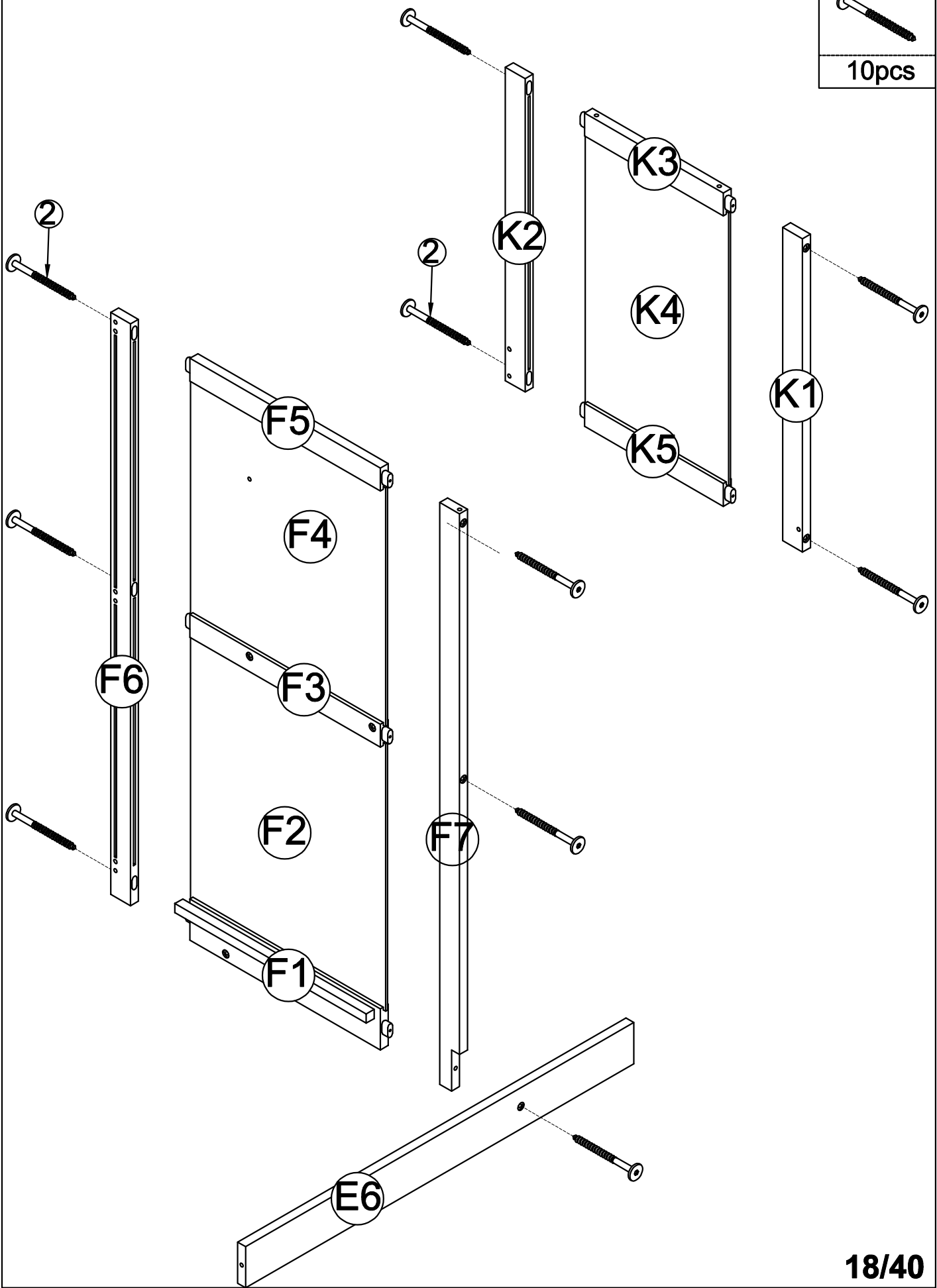


STEP 4-1 : Following below illustration..

2


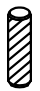


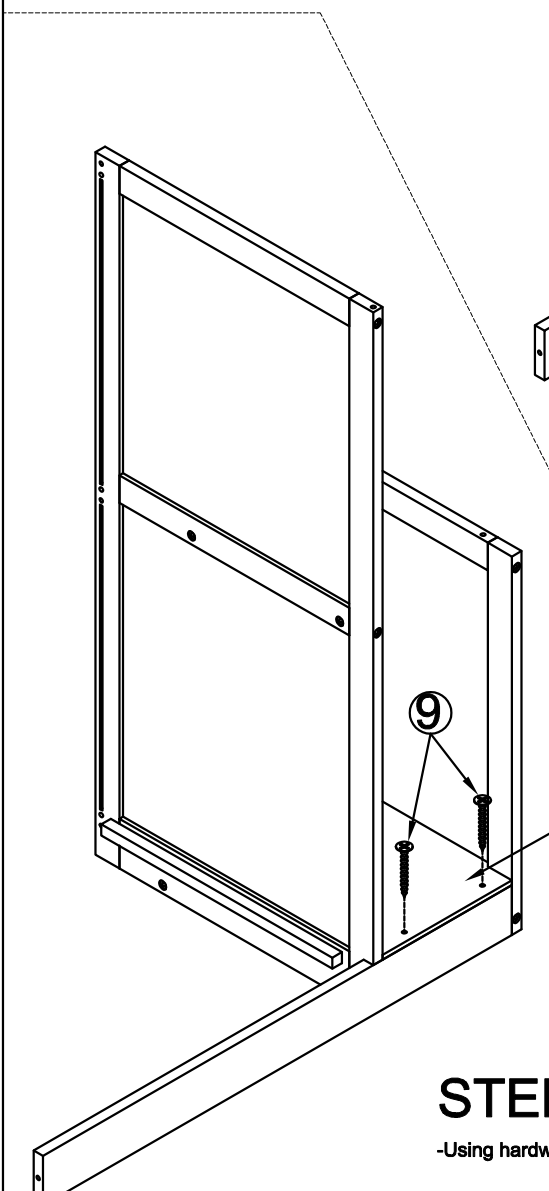
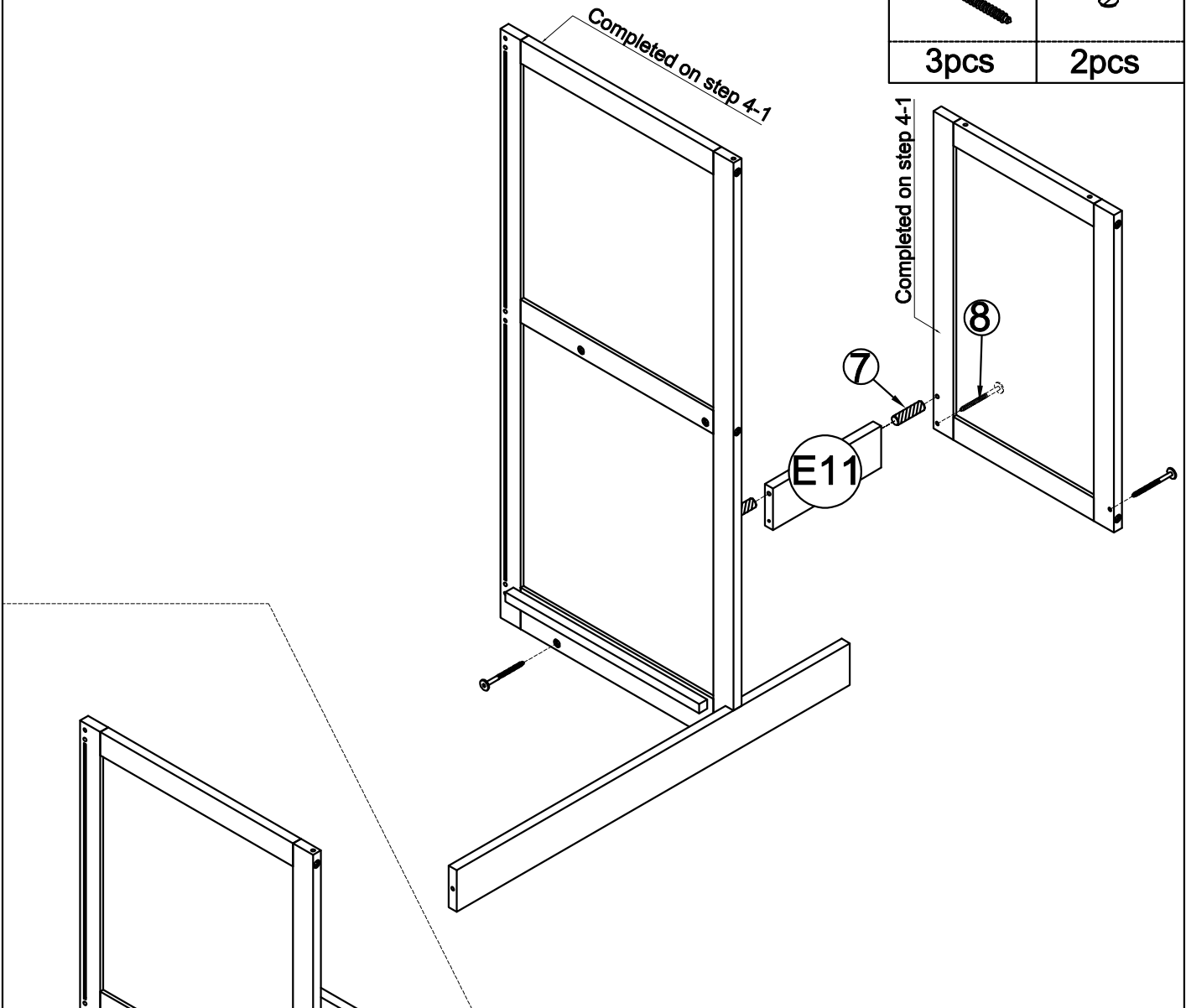
10pcs




STEP 4-2 : Following below illustration:

-Using hardware #8 and Dowel 7 connect Frame(completed on step 4-1) with E11 Wood Bar

8	7
	
3pcs	2pcs



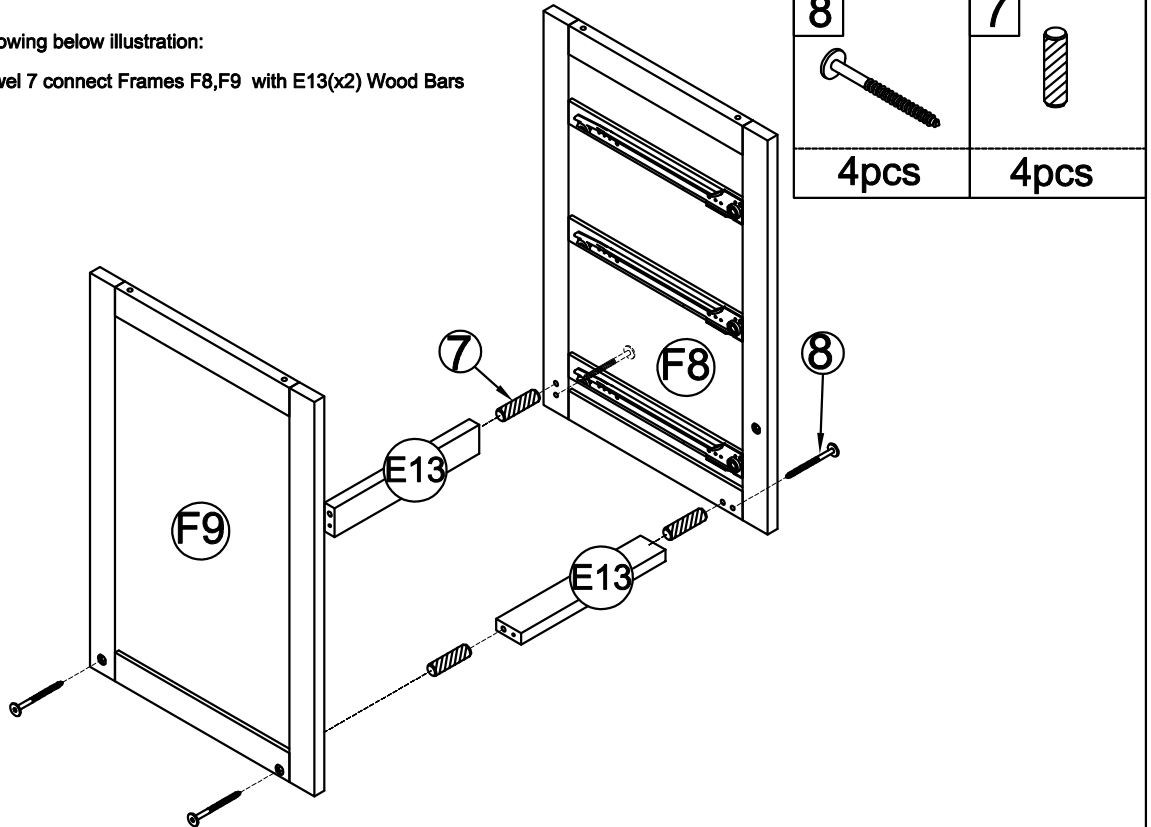
9	
2pcs	

STEP 4-3 : Following below illustration:

-Using hardware #9 connect Frame(completed on step 4-2) with E12 Panel

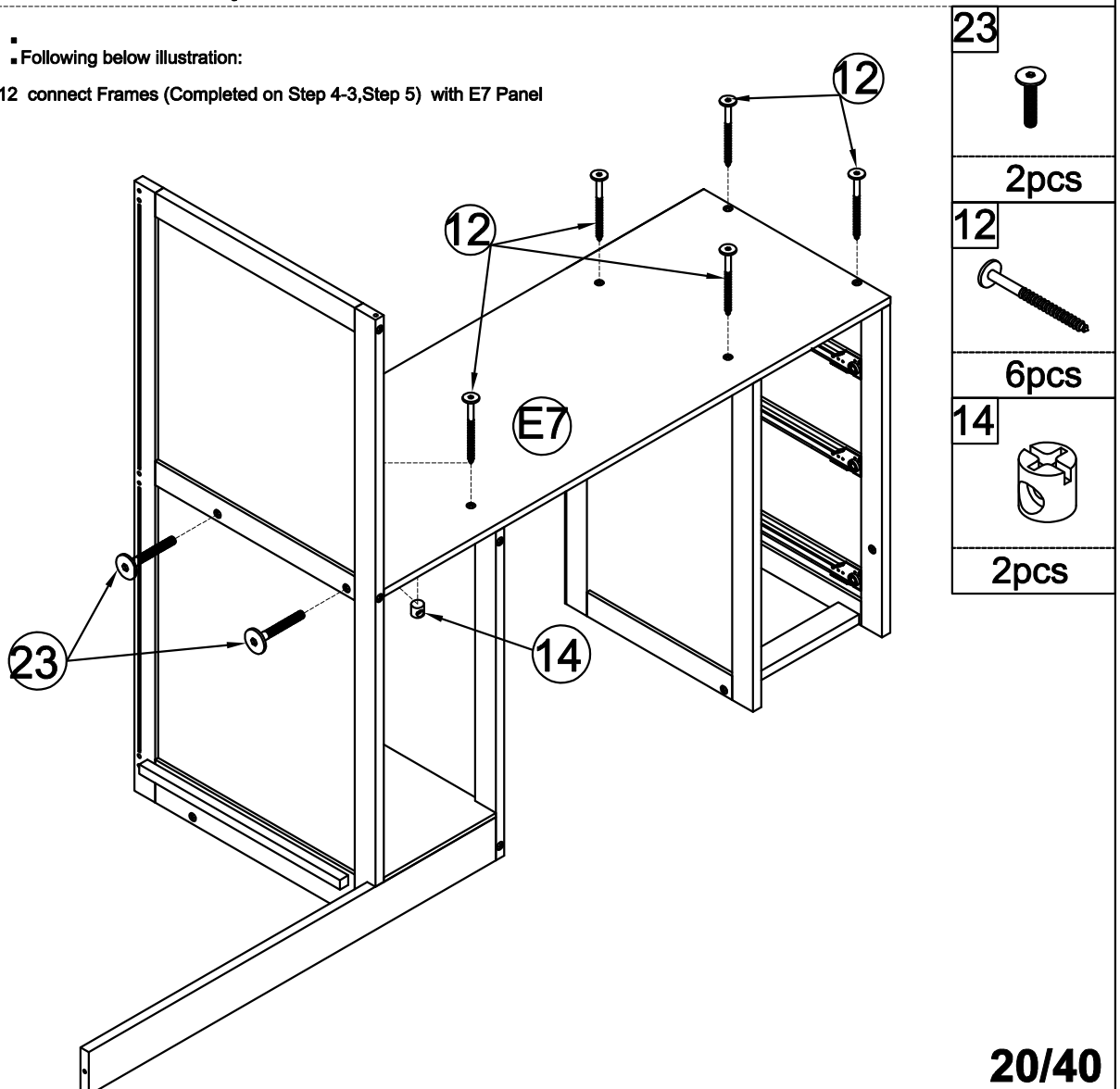
STEP 5 : Following below illustration:

-Using hardware #8 and Dowel 7 connect Frames F8,F9 with E13(x2) Wood Bars



STEP 6 : Following below illustration:

-Using hardware #5,#12 connect Frames (Completed on Step 4-3, Step 5) with E7 Panel



STEP 7

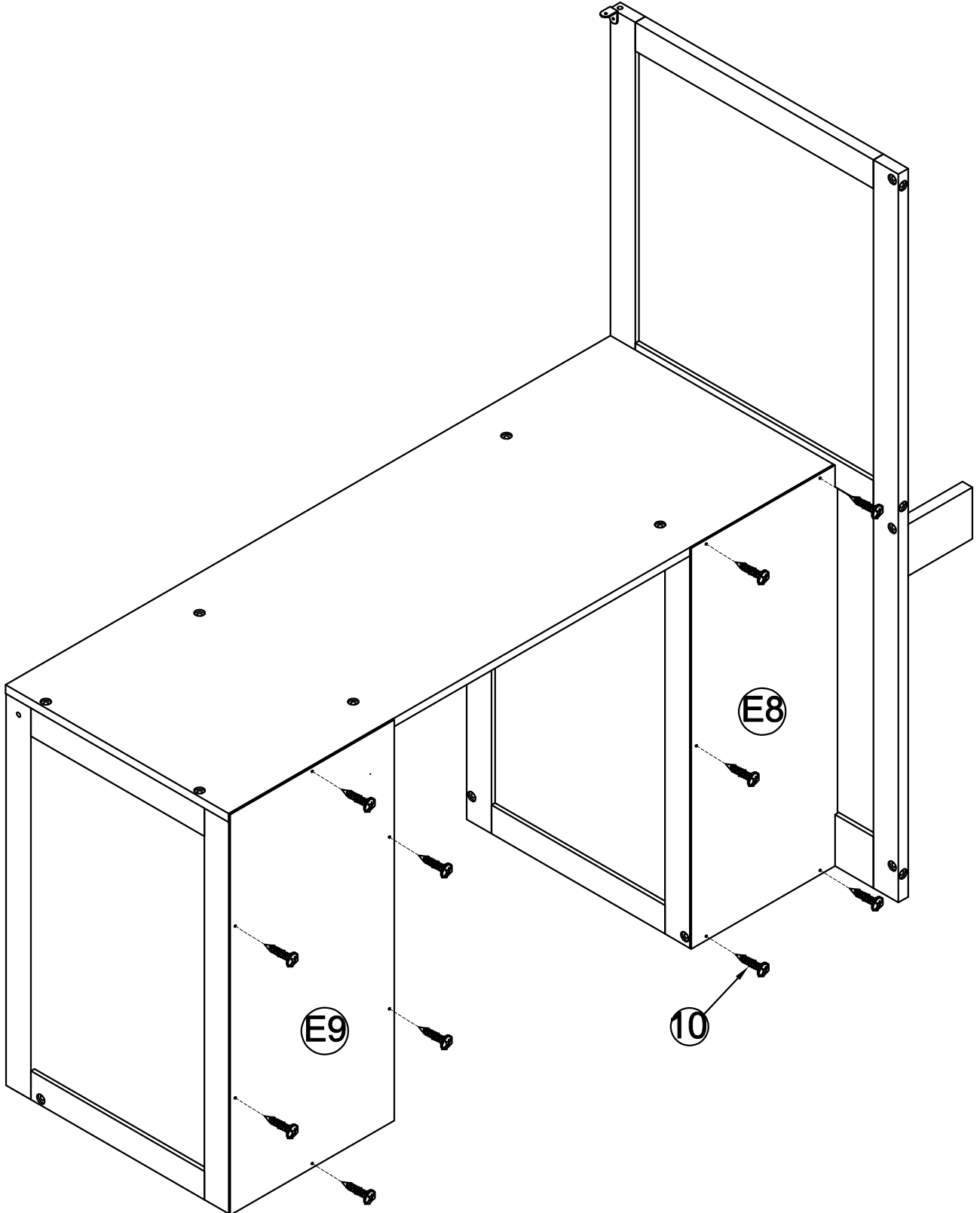
Following below illustration:

-Using hardware #10 connect Frames (Completed on Step 6) with E8,E9 Panels

10



11pcs



STEP 7

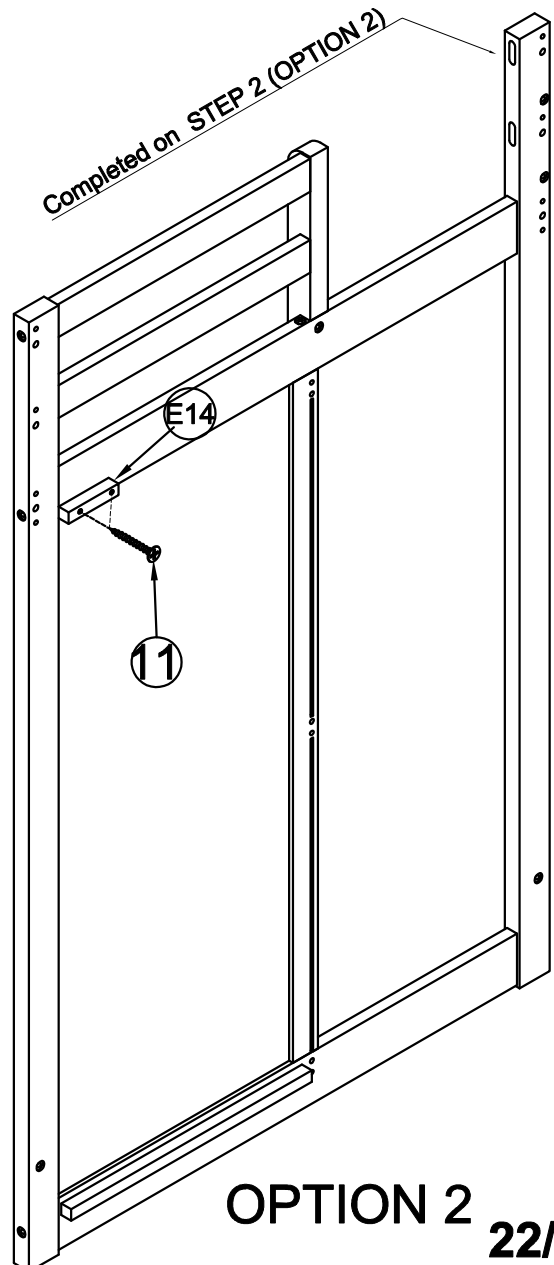
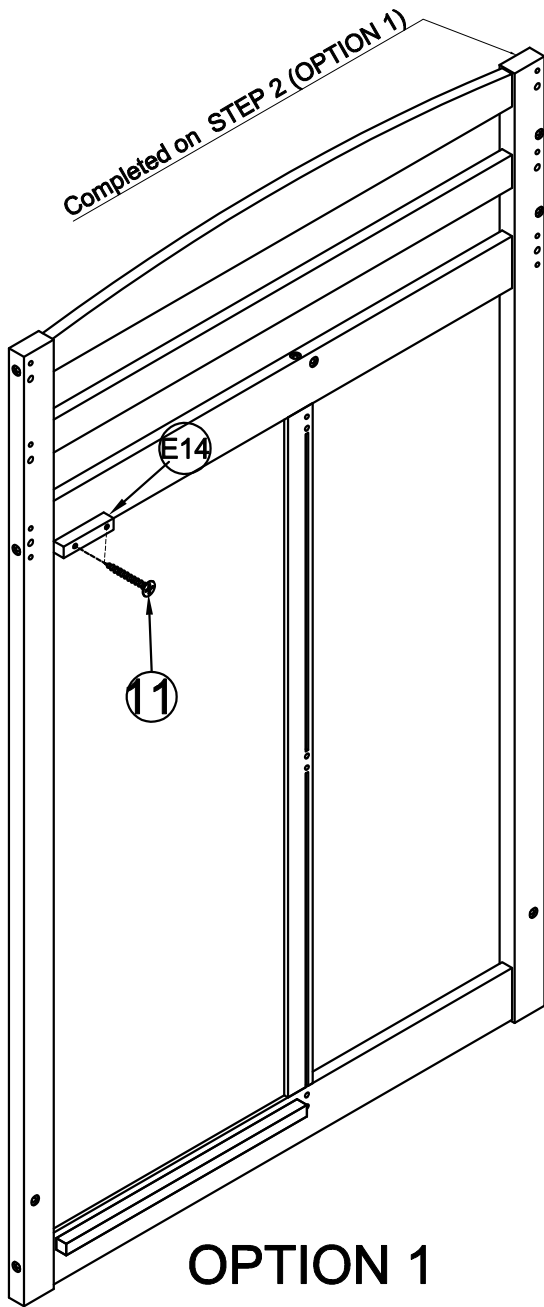
Following below illustration:

-Using hardware #10 connect Frames (Completed on Step 6) with E8,E9 Panels

11

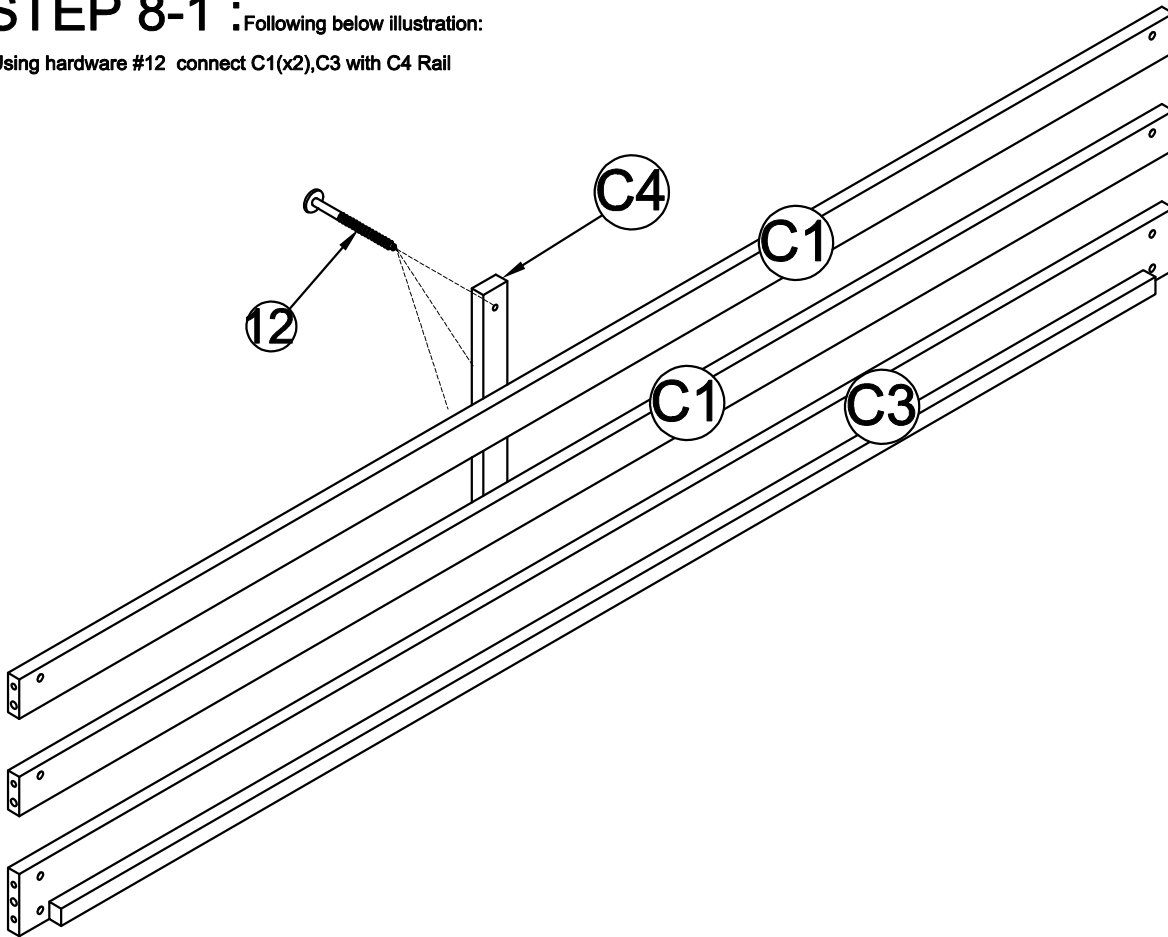


2pcs



STEP 8-1 : Following below illustration:

-Using hardware #12 connect C1(x2),C3 with C4 Rail



12

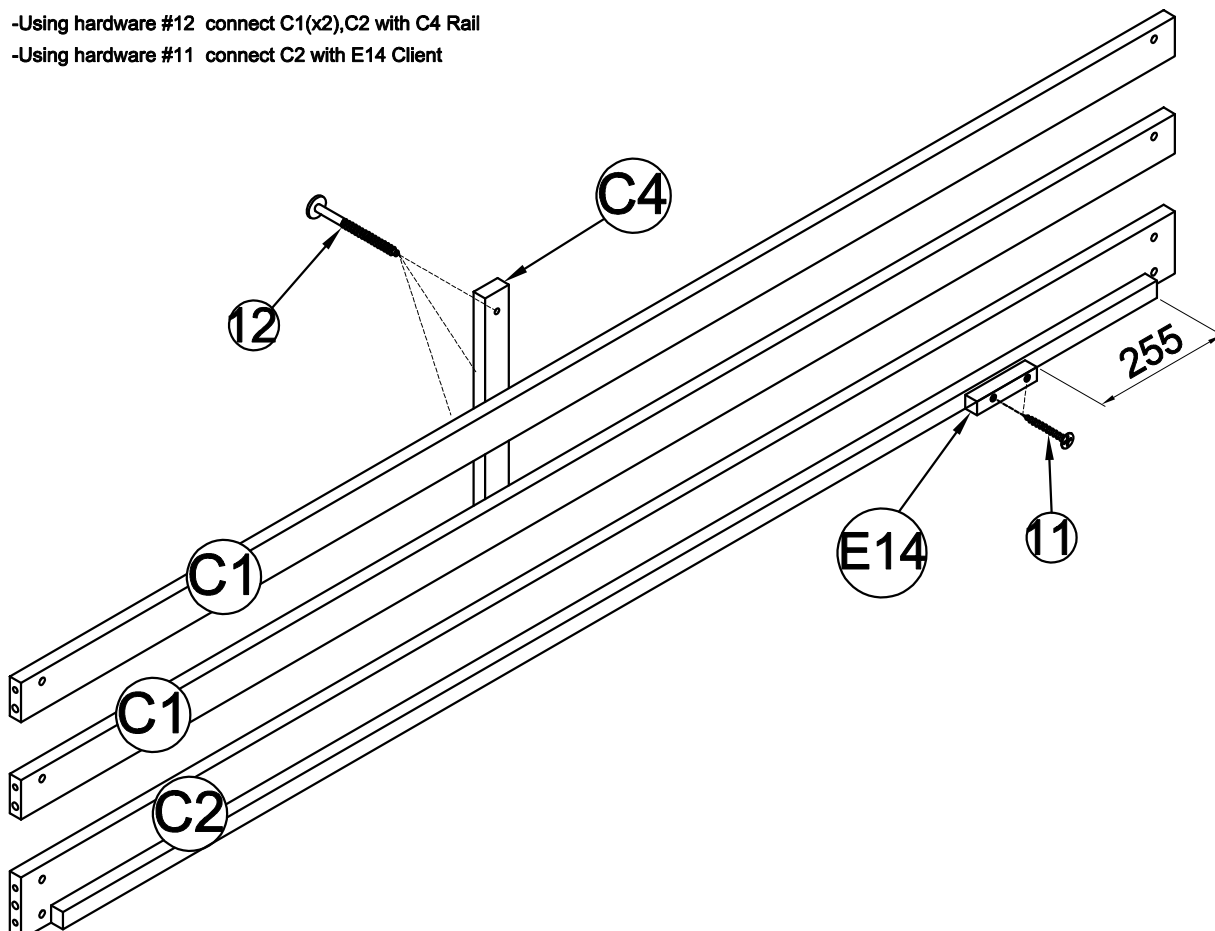


3pcs

STEP 8-2 : Following below illustration:

-Using hardware #12 connect C1(x2),C2 with C4 Rail

-Using hardware #11 connect C2 with E14 Client

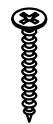


12



3pcs

11


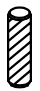



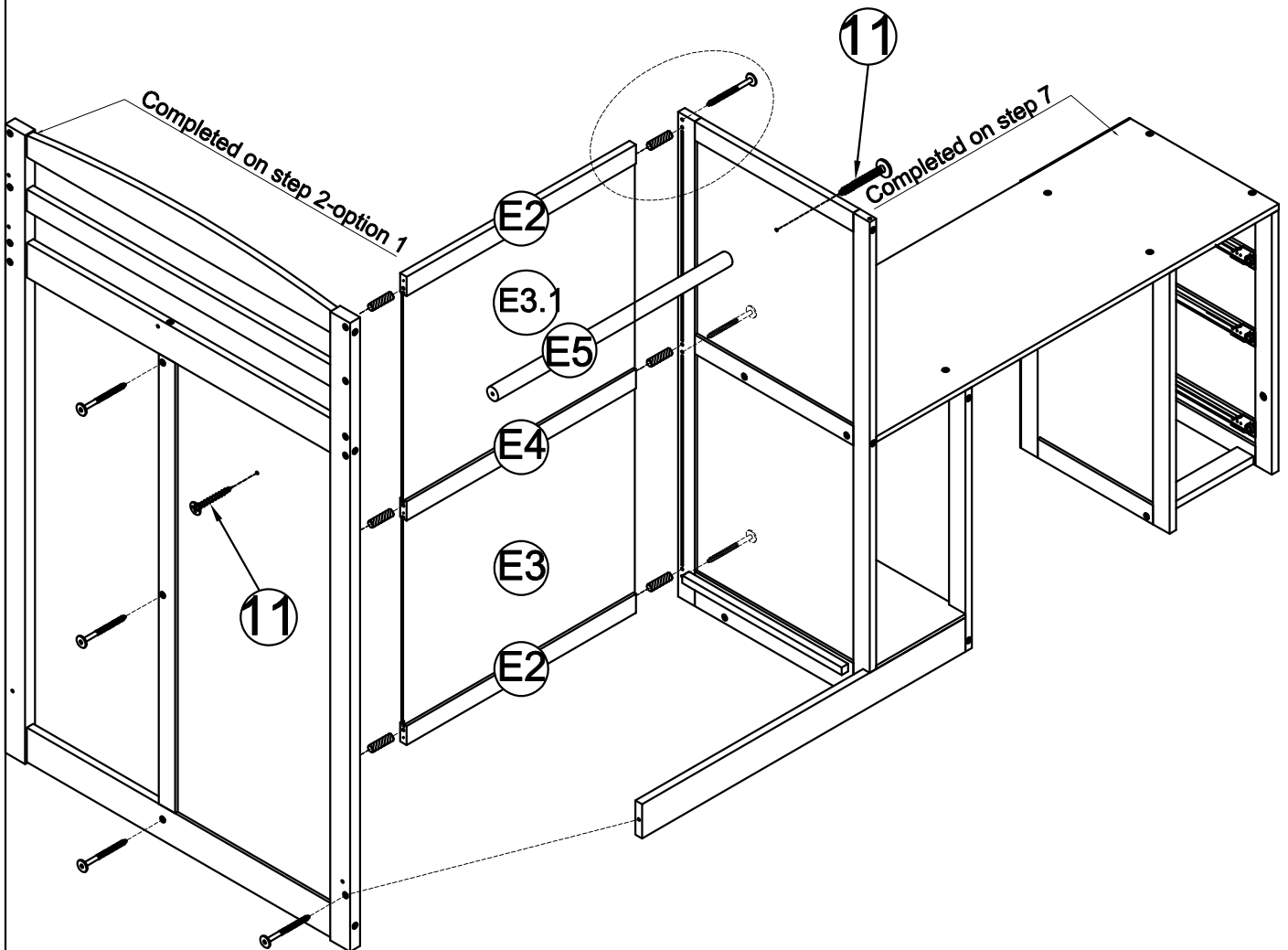
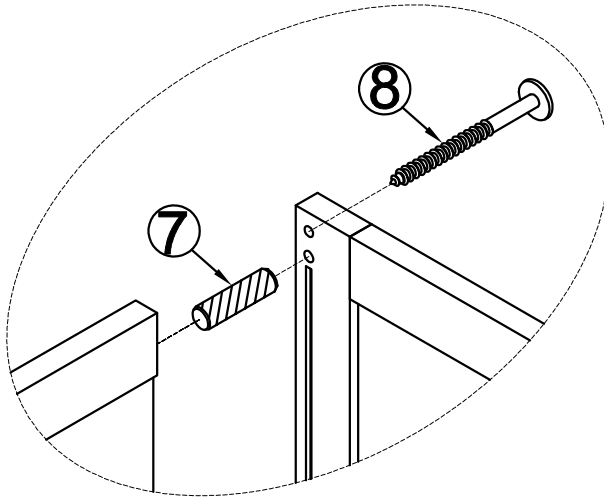
2pcs

STEP 9

Following below illustration:

-Using hardware #8,#11 and Dowel 7 connect Frames(completed on step 2,step 7)with E2(x2),E4,E5 Wood Bars and E3,E3.1 Panels

8	7
	
7pcs	6pcs
	11
	
	2pcs


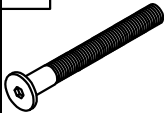






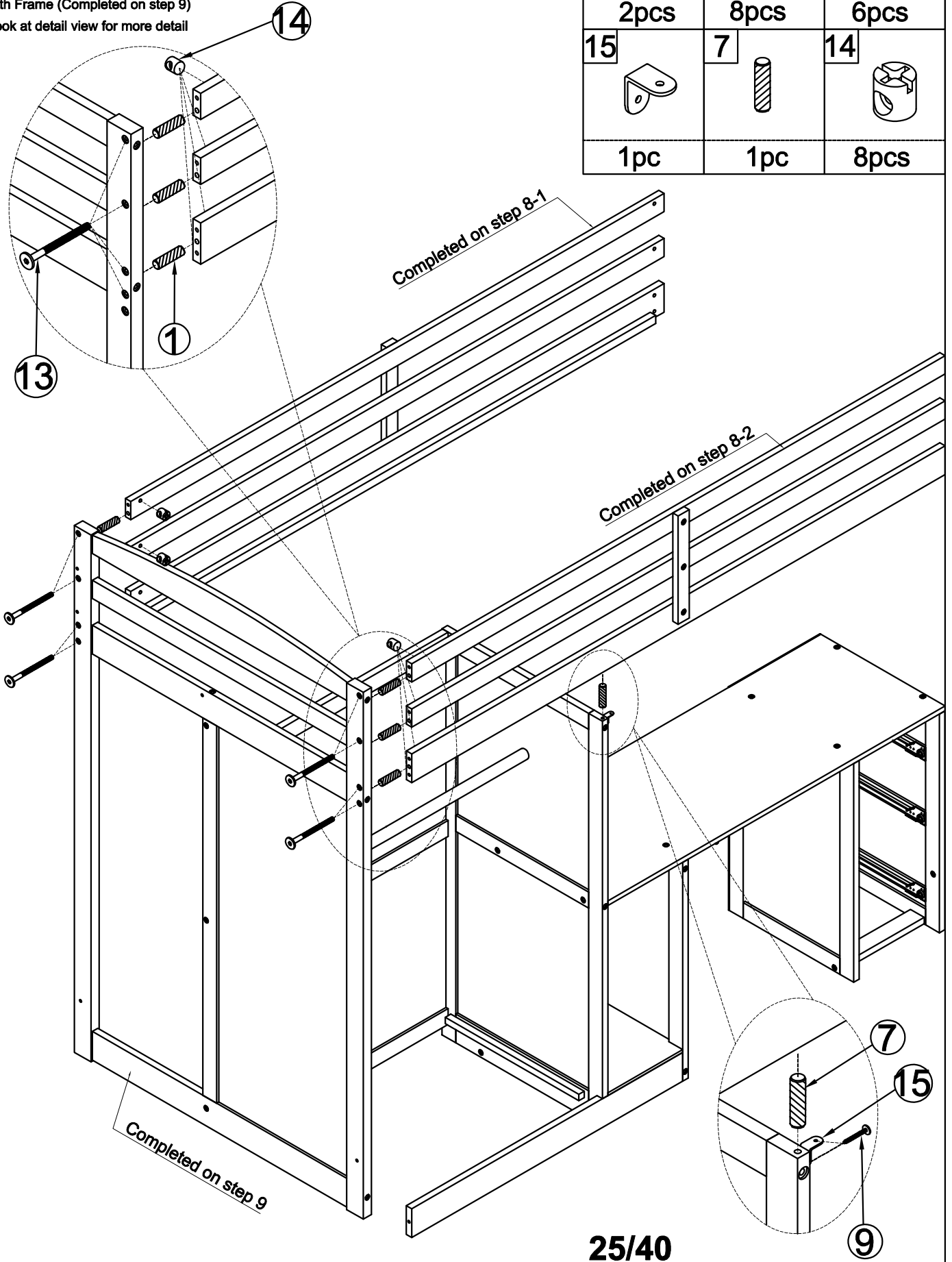
STEP 10: Following below illustration:

-Using hardware #9, #15 and dowel #7 to Assembly Frame (Completed on step 8-2) with Frame (Completed on step 9)

-Using hardware #13, #14 and dowel #1 to Assembly Frames (Completed on step 8-1, Step 8-2) with Frame (Completed on step 9)


-Look at detail view for more detail

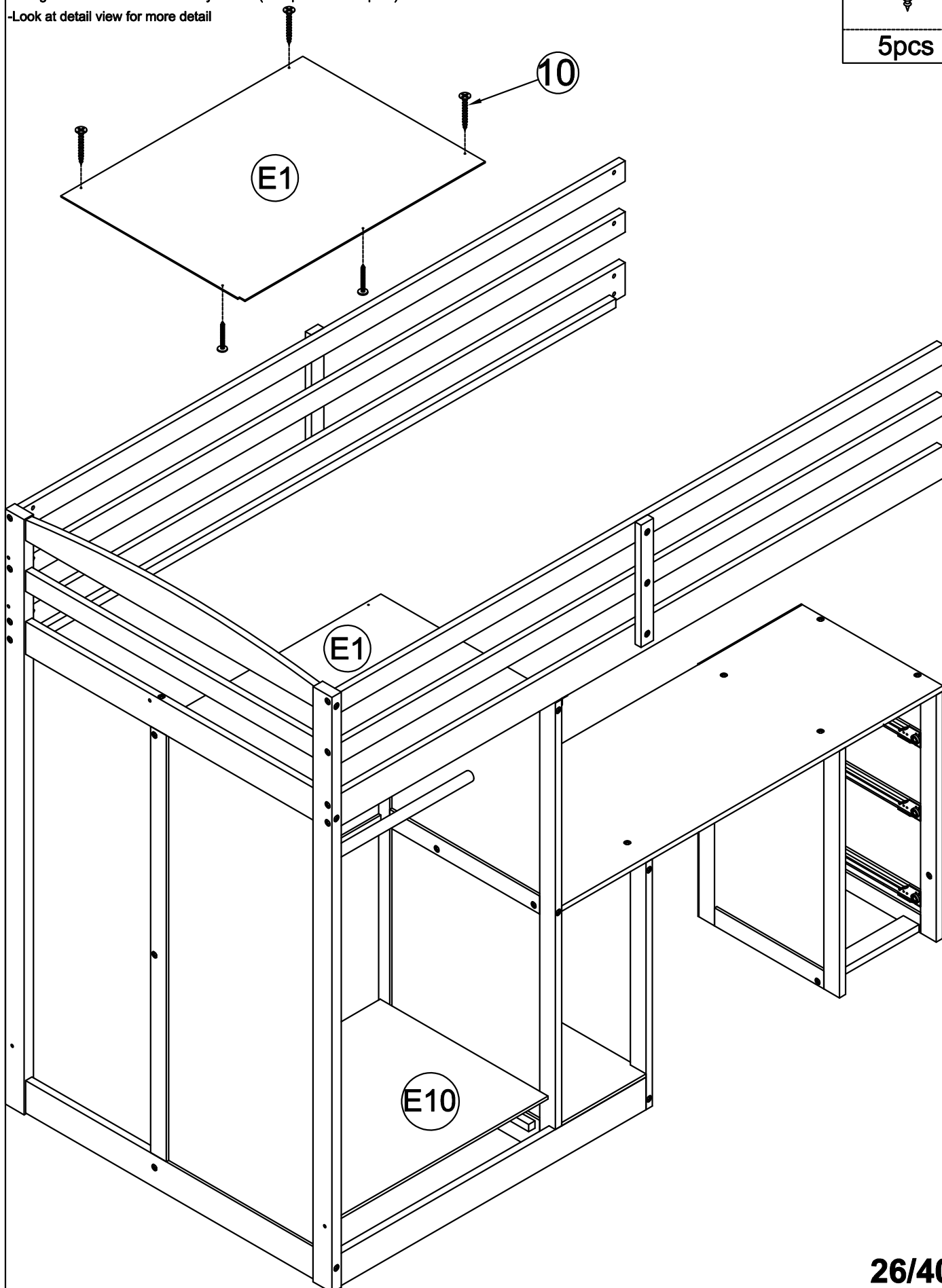
9		13		1	
	2pcs		8pcs		6pcs
15		7		14	
	1pc		1pc		8pcs



STEP 11: Following below illustration:

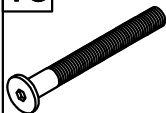


- Put Panel E10 into it position
- Using hardward #10 to Assembly Frame (Completed on step 10) with E1 Panel
- Look at detail view for more detail

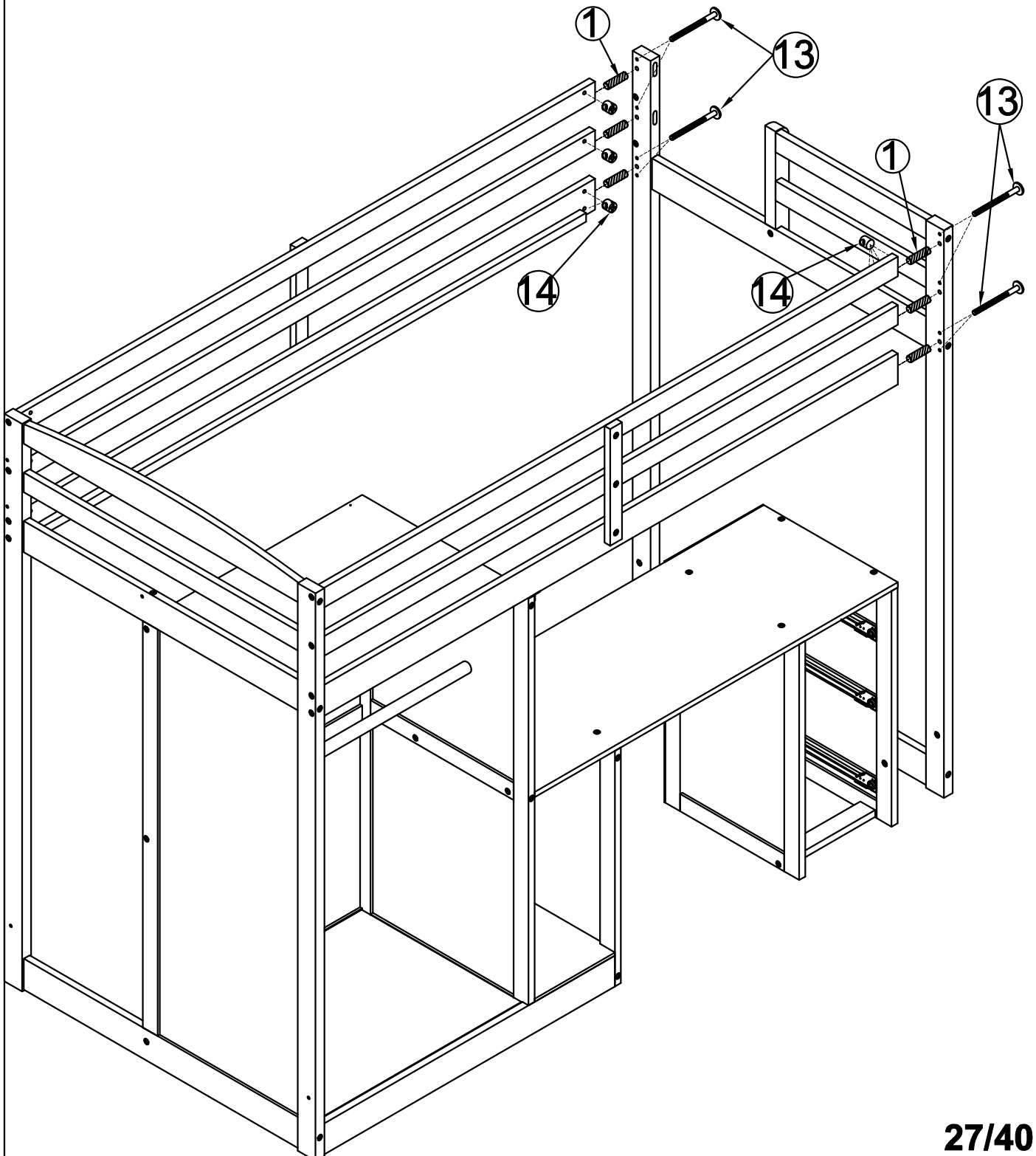
10	
5pcs	



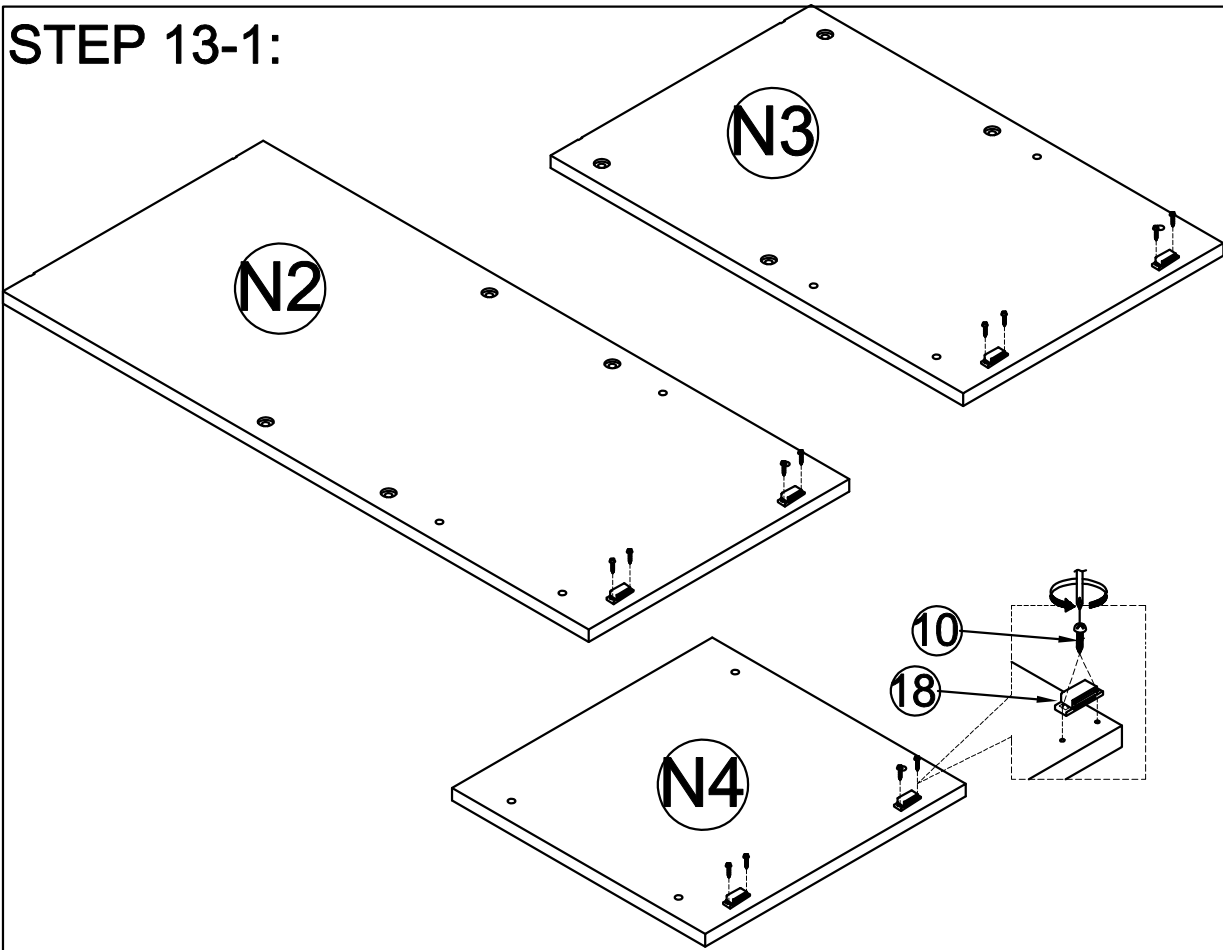
STEP 12: Following below illustration:

-Using hardward #13, #14 and dowel #1 to Assembly Frames (Completed on step 3) with Frame(Completed on step 11)
-Look at detail view for more detail

13		1	
8pcs		6pcs	
		14	
		8pcs	



STEP 13-1:



18



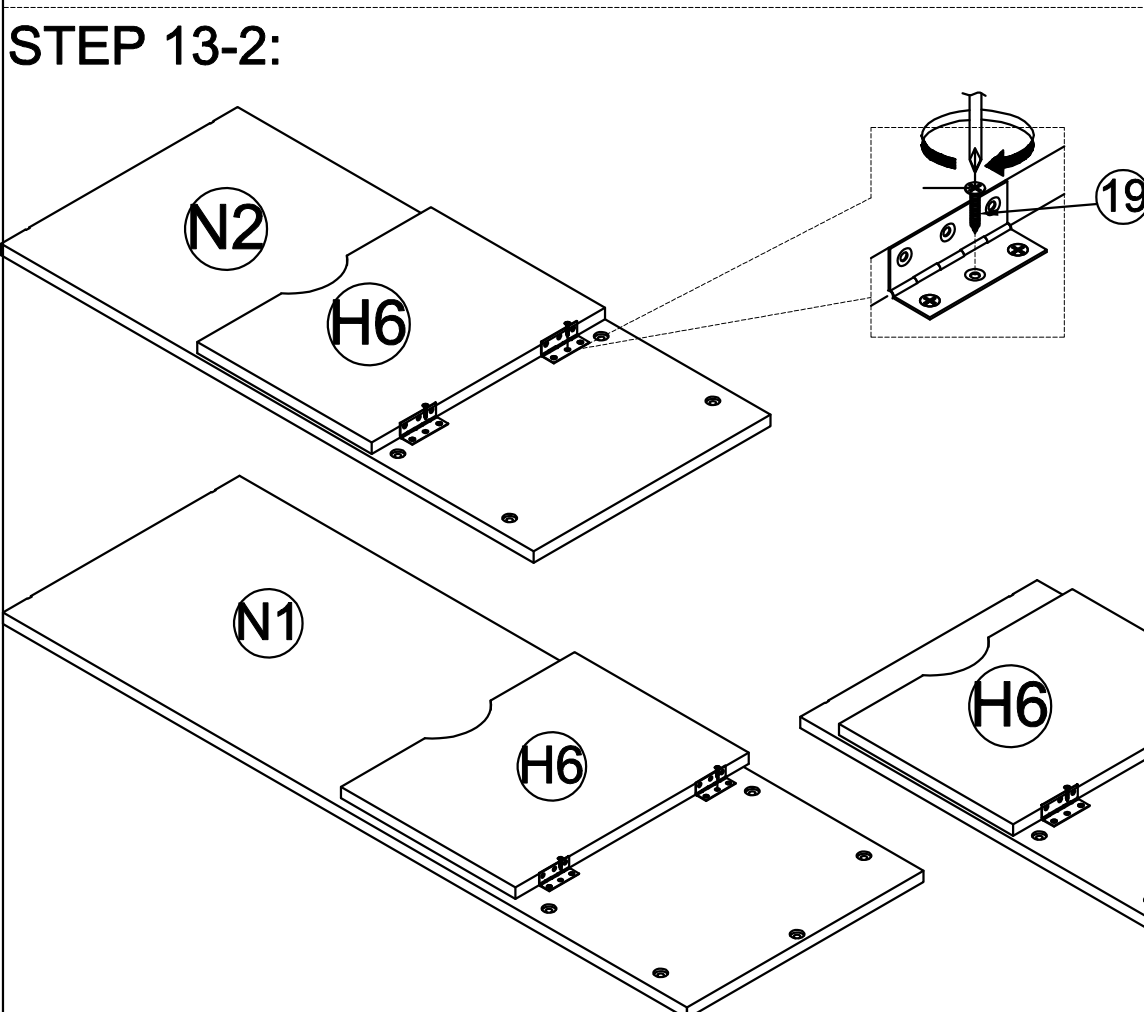
6pcs

10



12pcs

STEP 13-2:

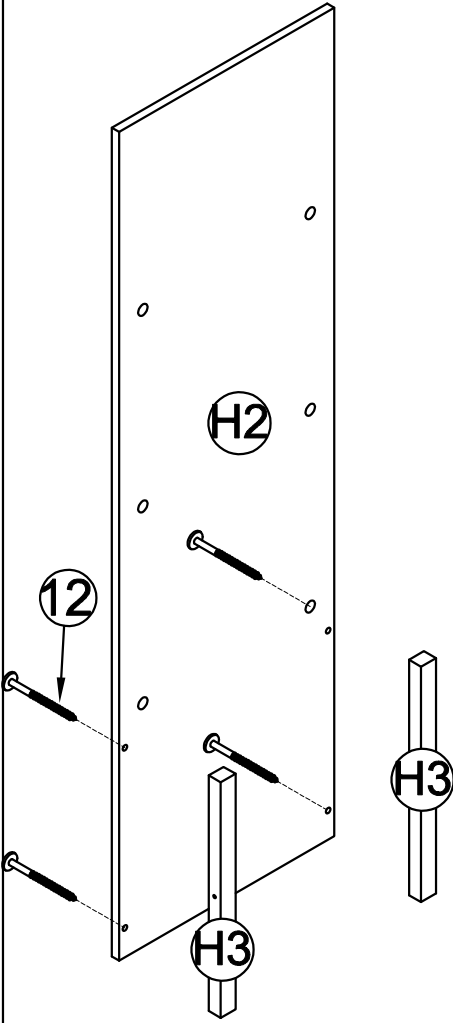


19



18pcs

STEP 13-3:

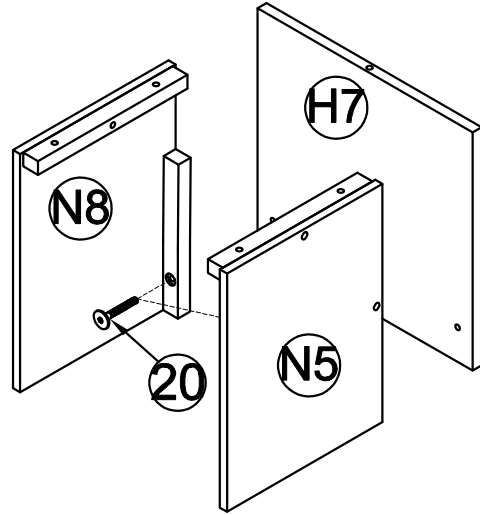


12



4pcs

STEP 13-4:

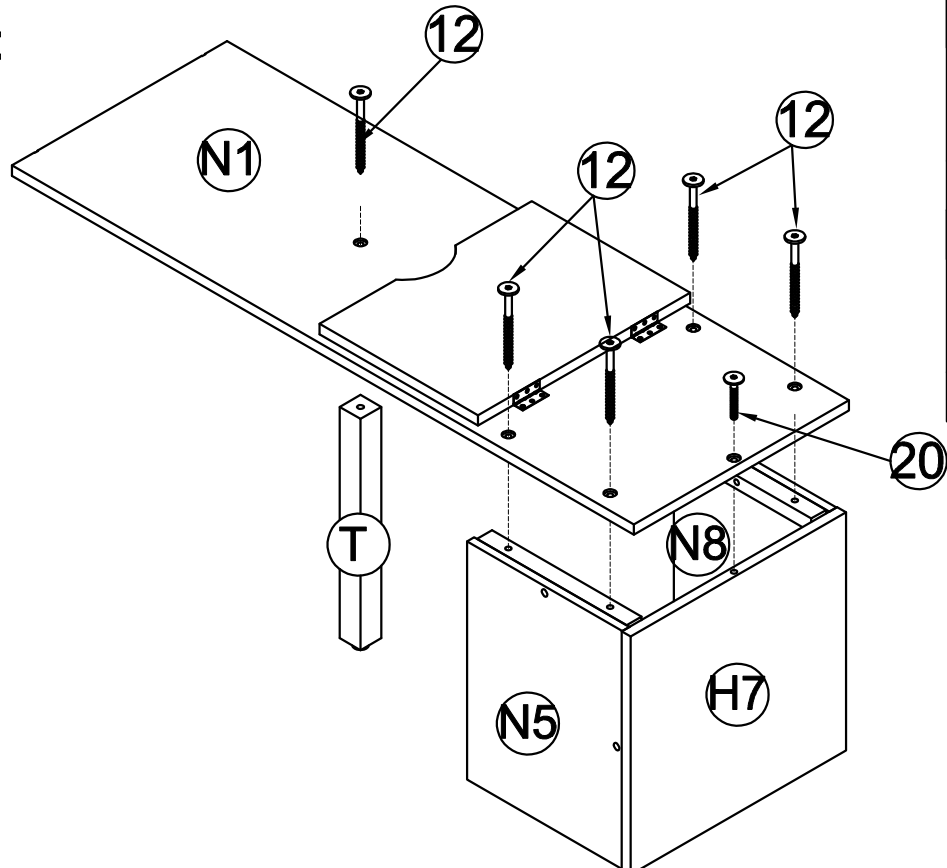


20



2pcs

STEP 13-5:



20



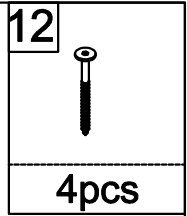
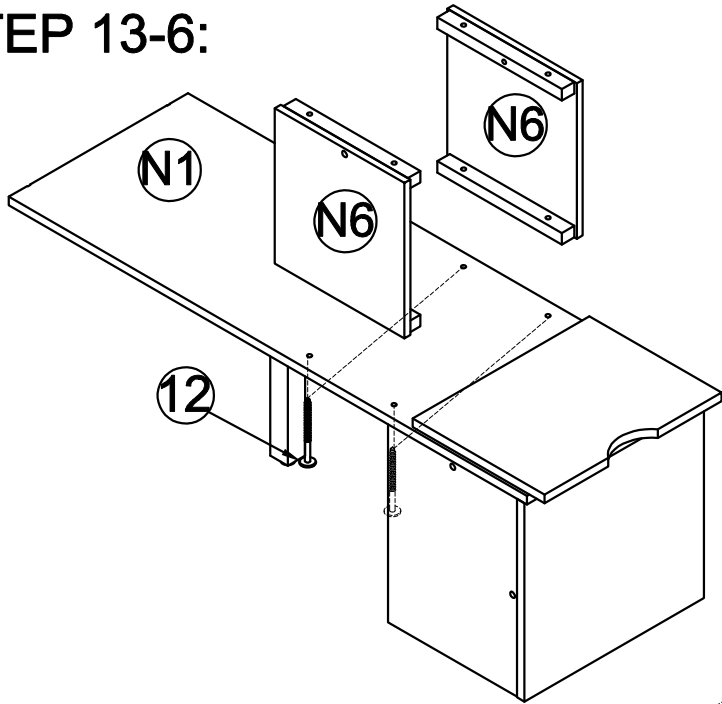
1pc

12

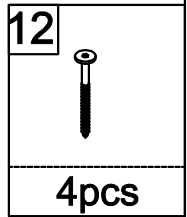
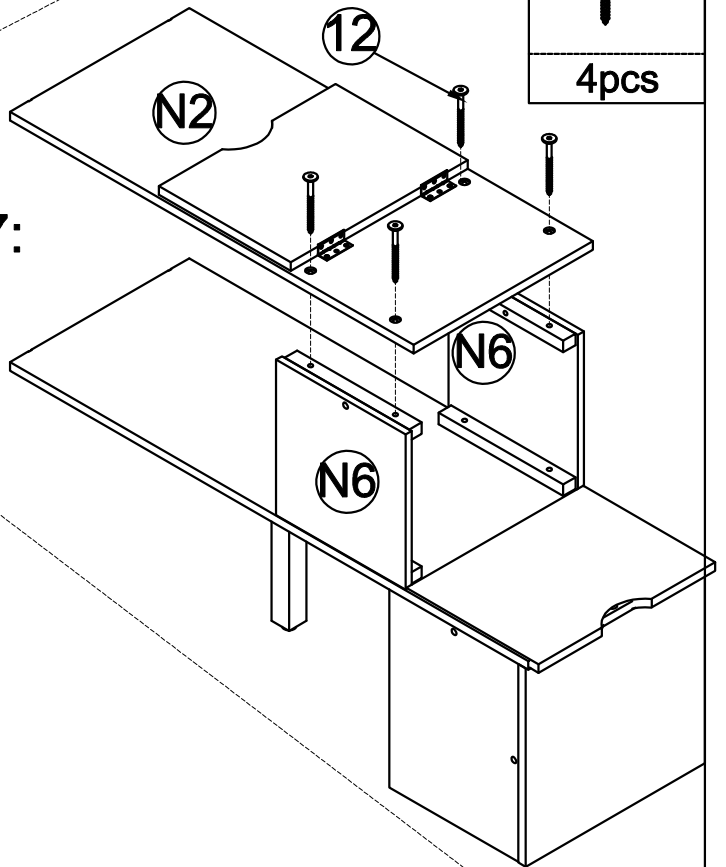


5pcs

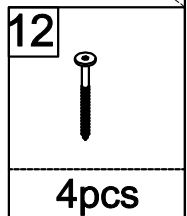
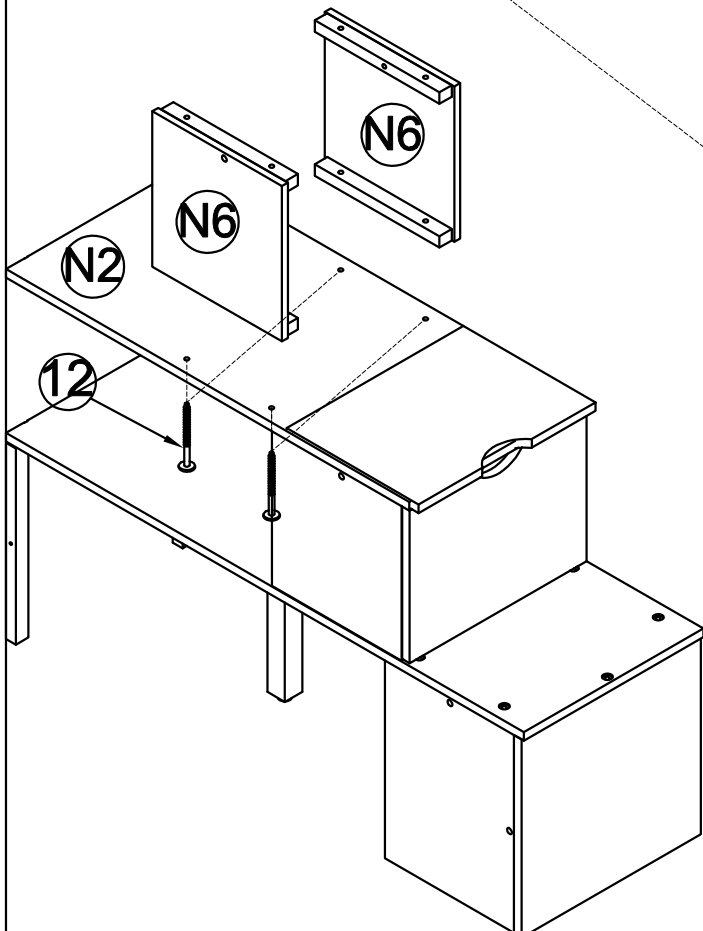
STEP 13-6:



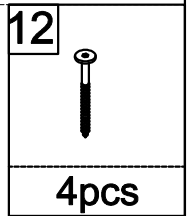
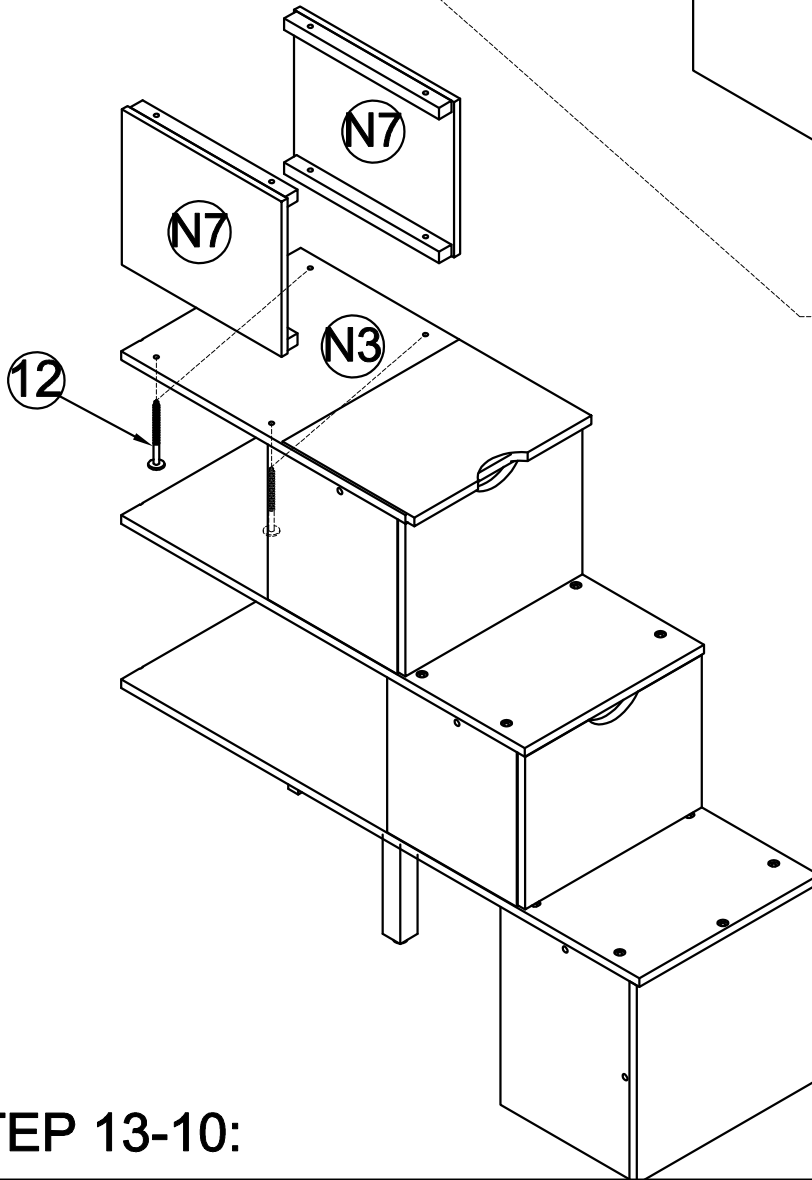
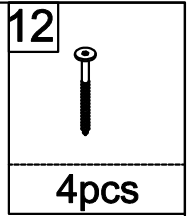
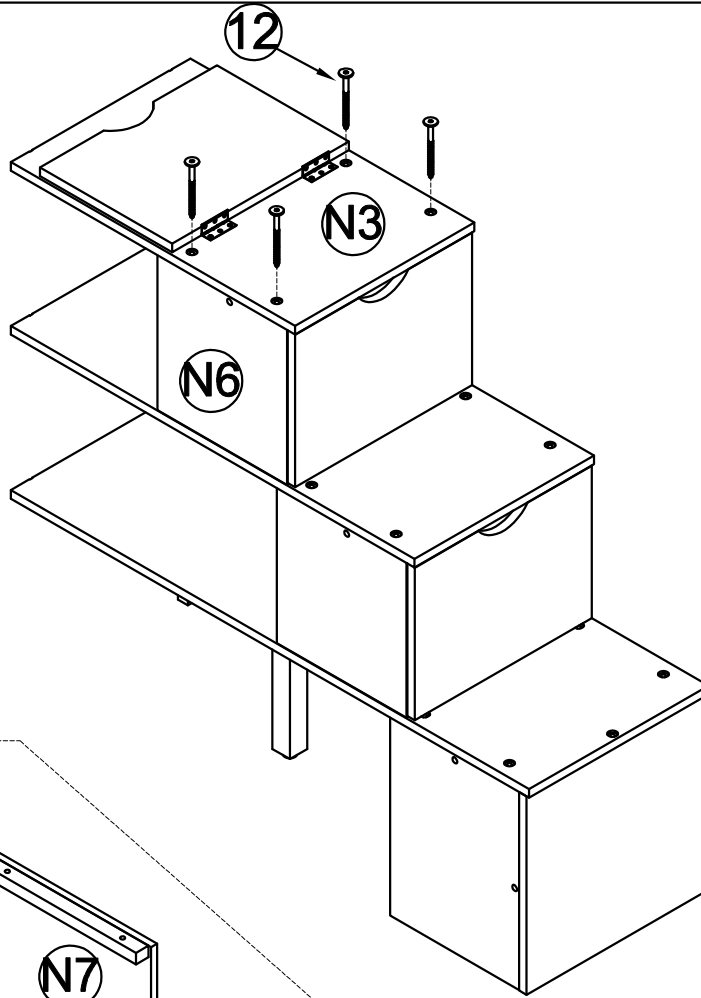
STEP 13-7:



STEP 13-8:

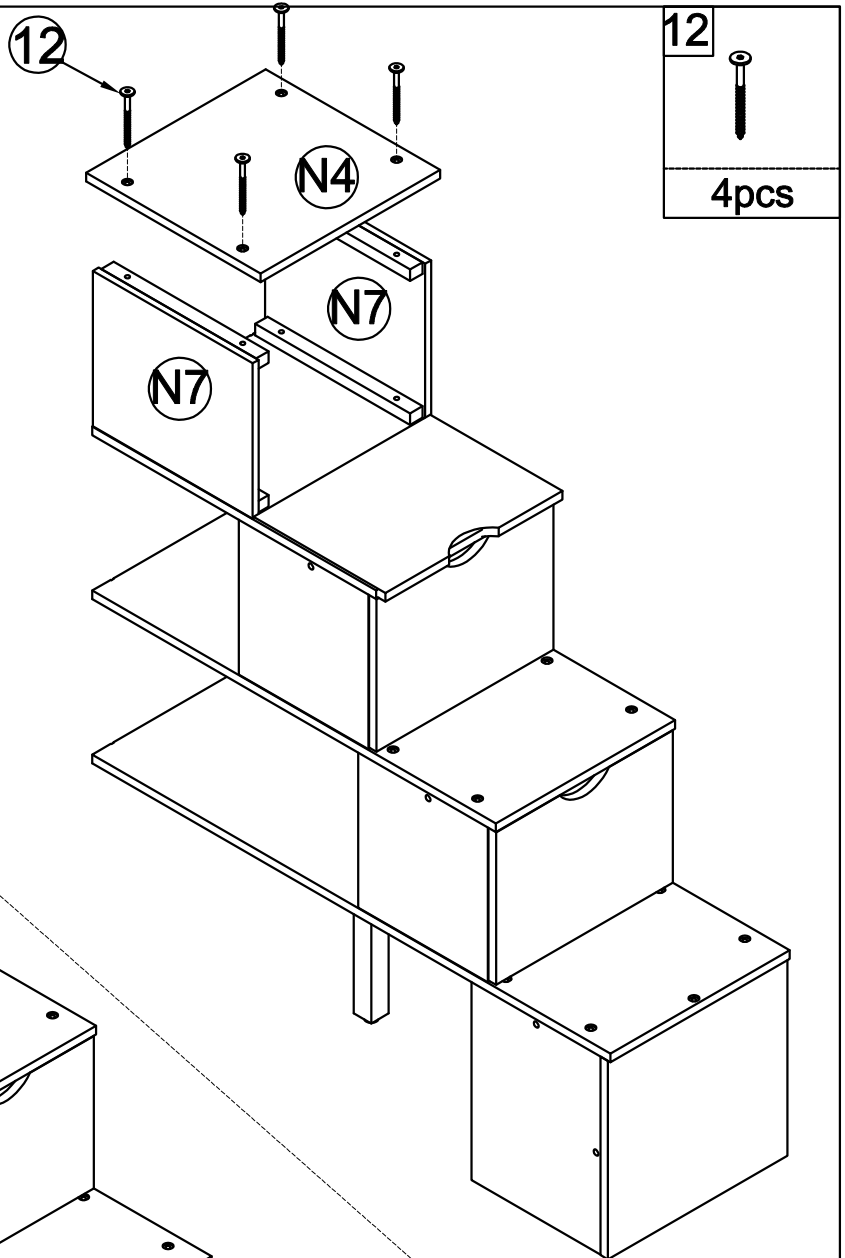


STEP 13-9:

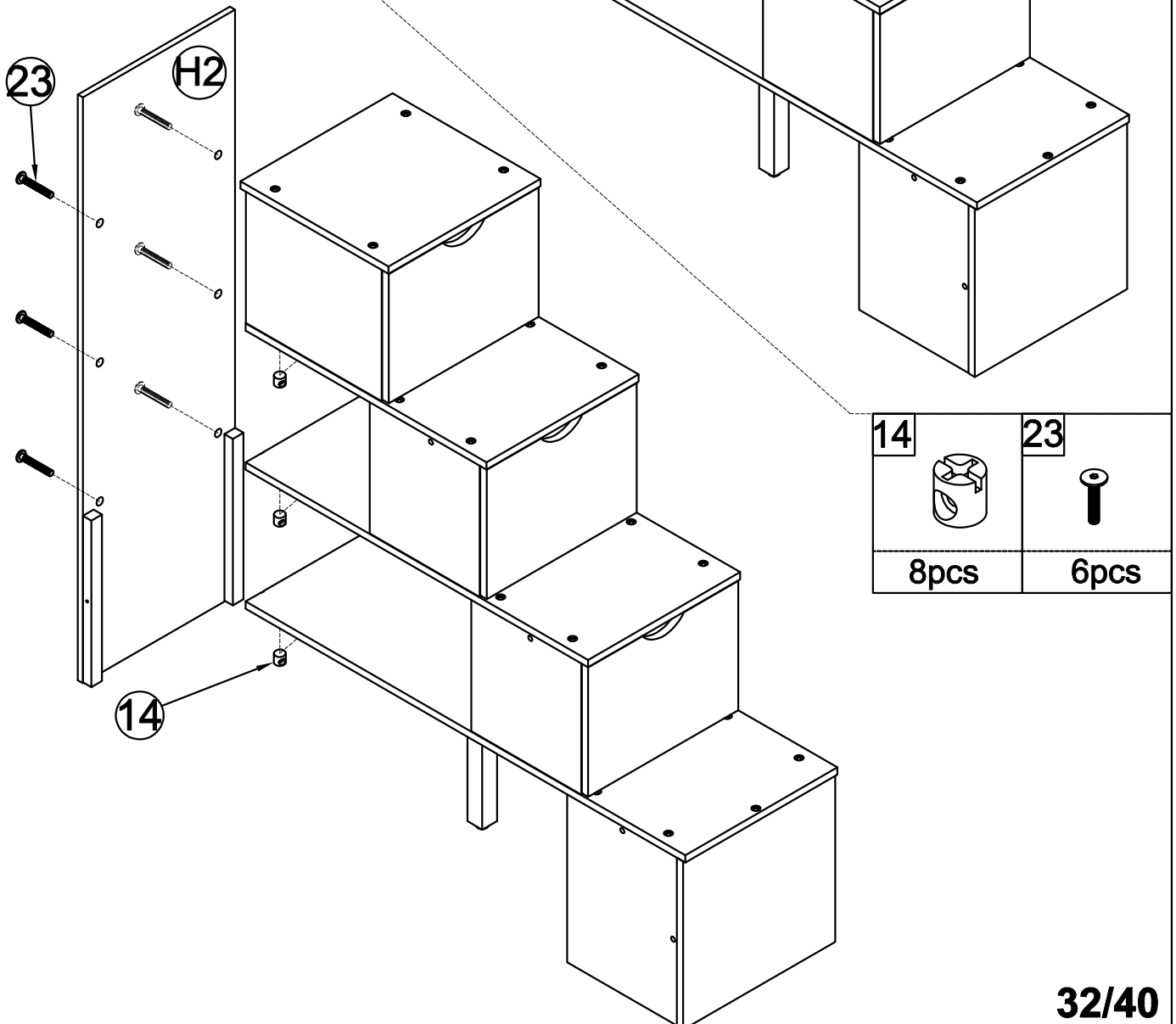


STEP 13-10:

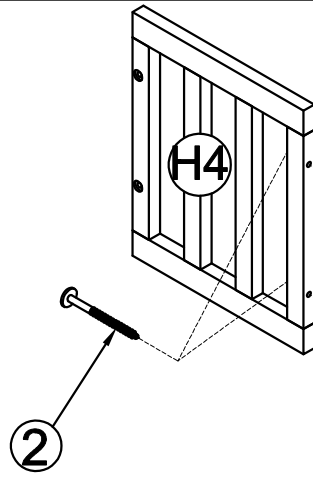
STEP 13-11:



STEP 13-12:



STEP 13-13:

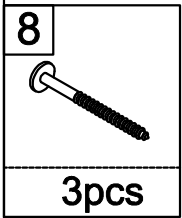


2



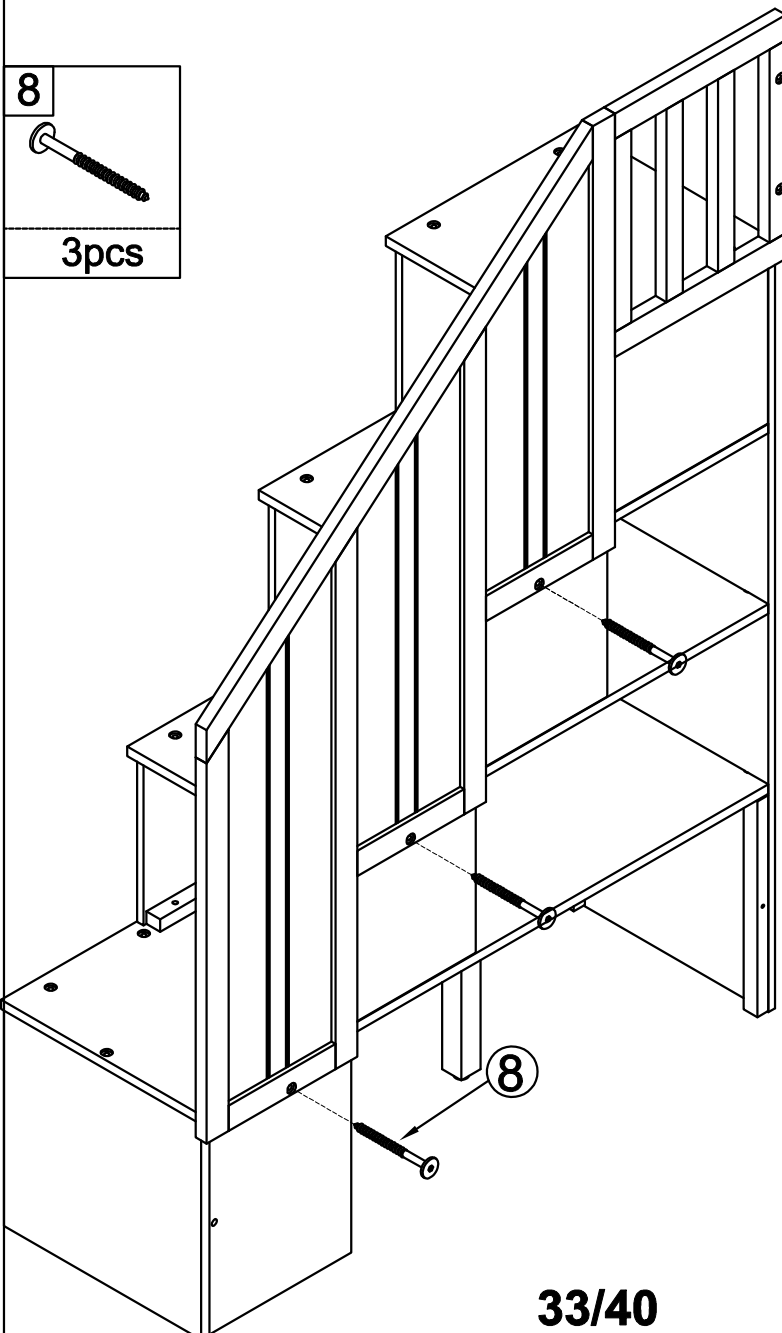
2pcs

STEP 13-14:



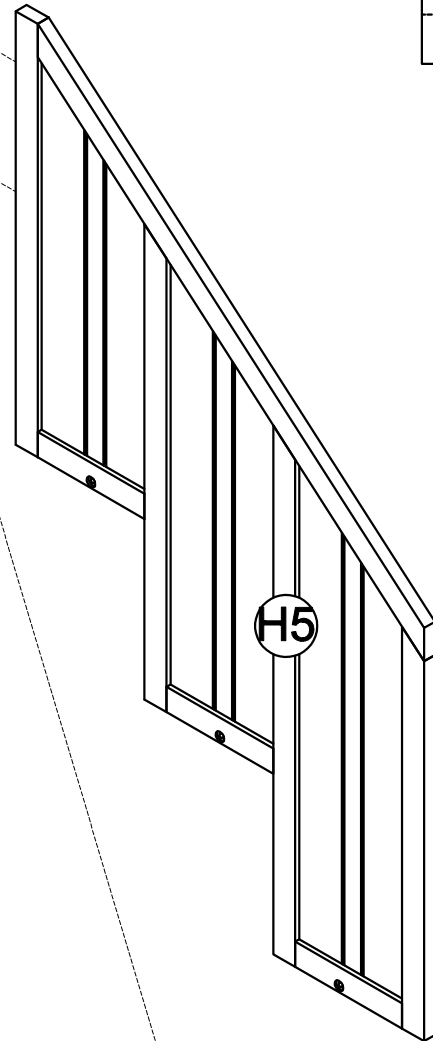
8

3pcs



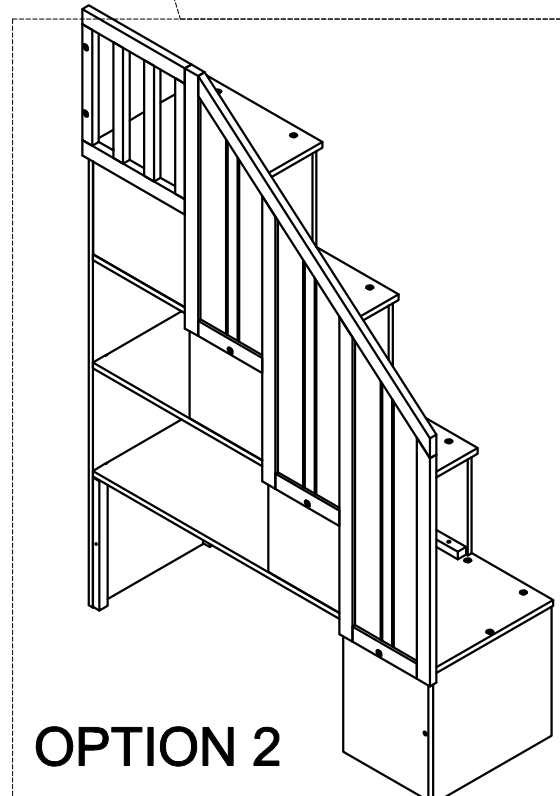
8

33/40



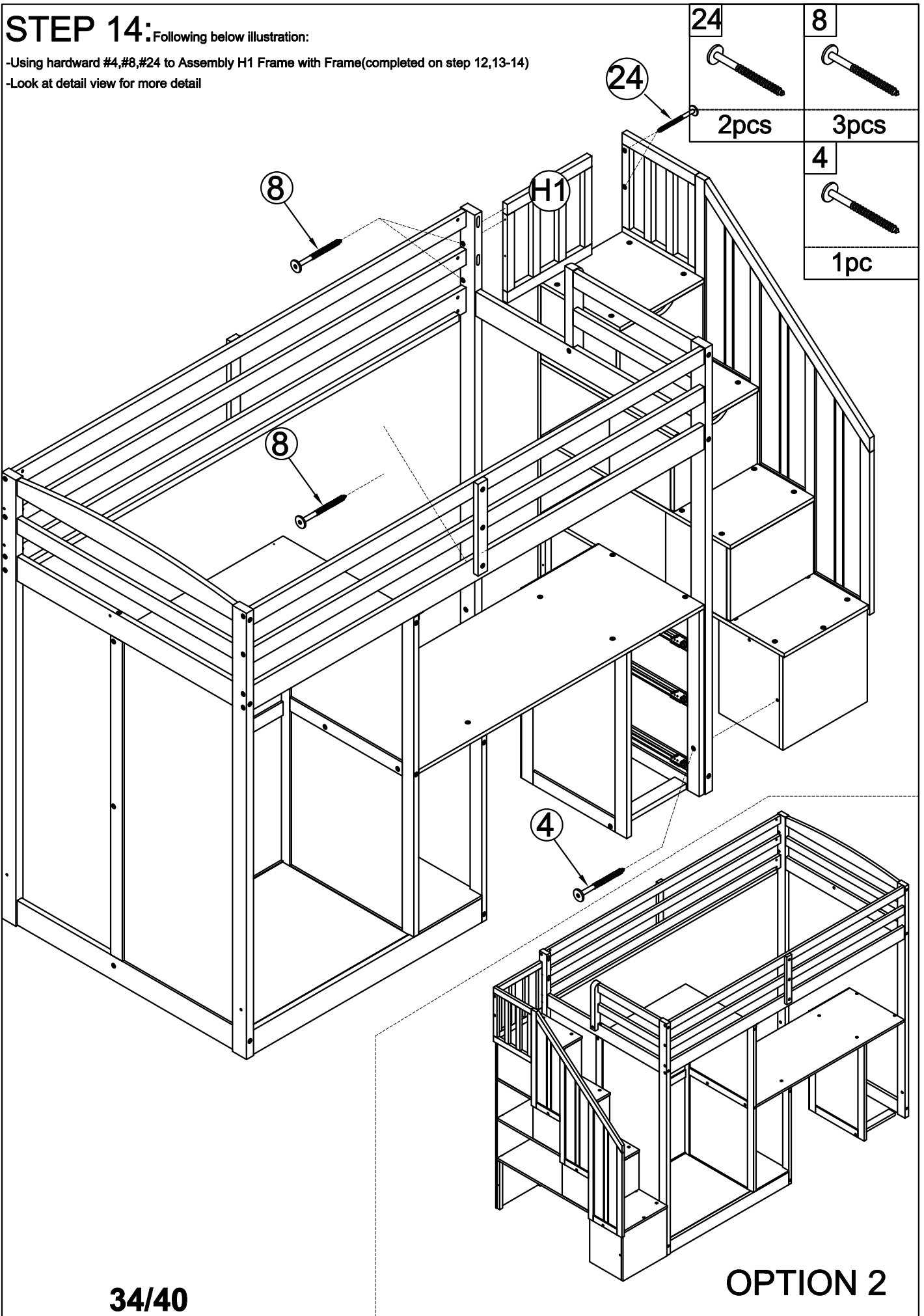
H5

OPTION 2



STEP 14: Following below illustration:

- Using hardware #4, #8, #24 to Assembly H1 Frame with Frame (completed on step 12, 13-14)
- Look at detail view for more detail



STEP 15:

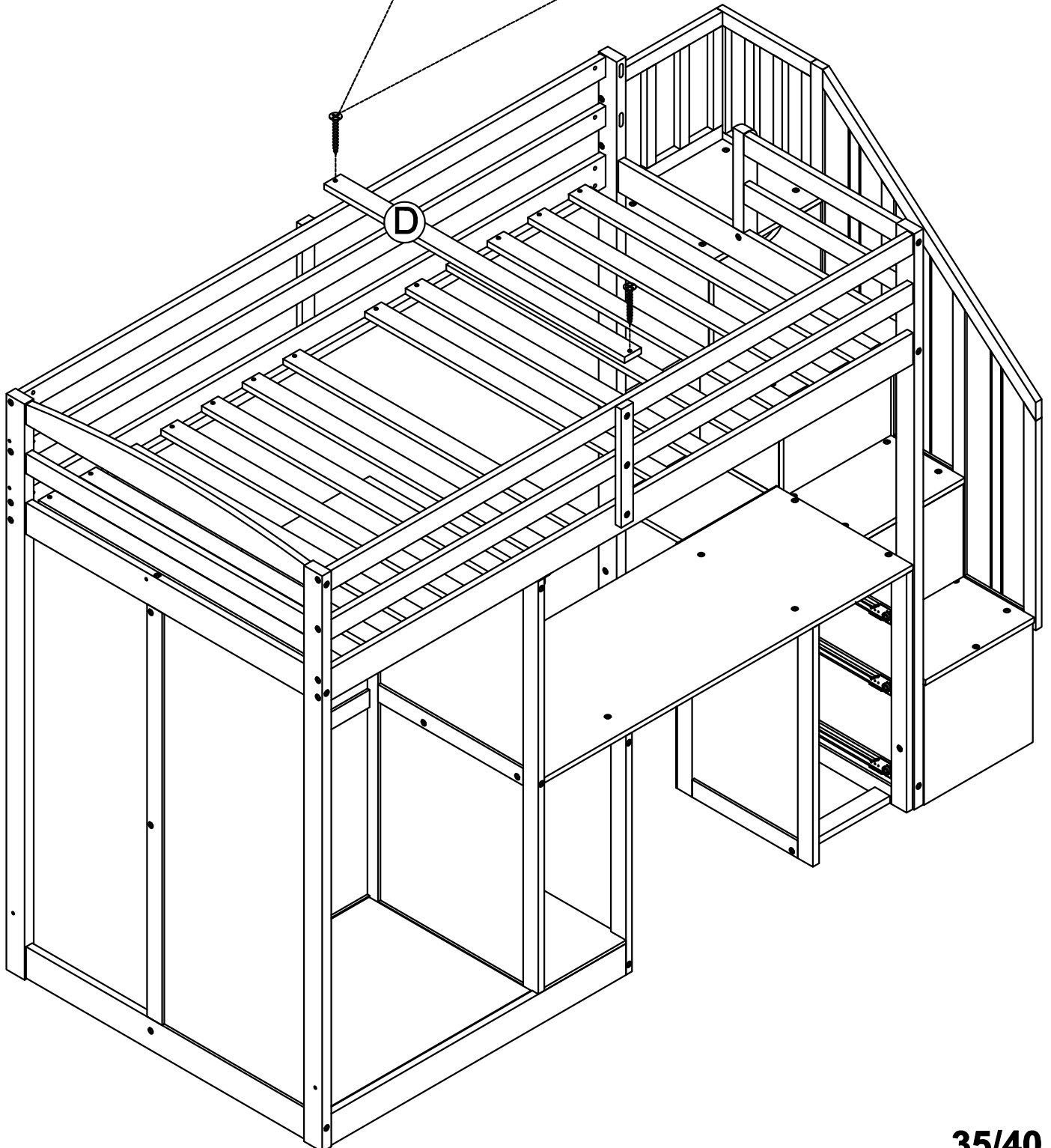
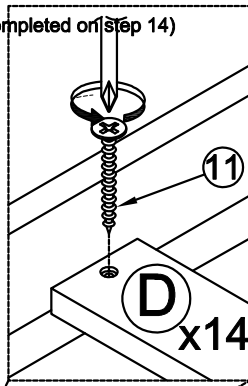
Following below illustration:

- Using hardward #11 to Assembly 14 Slats D with Frame(completed on Step 14)
- Look at detail view for more detail

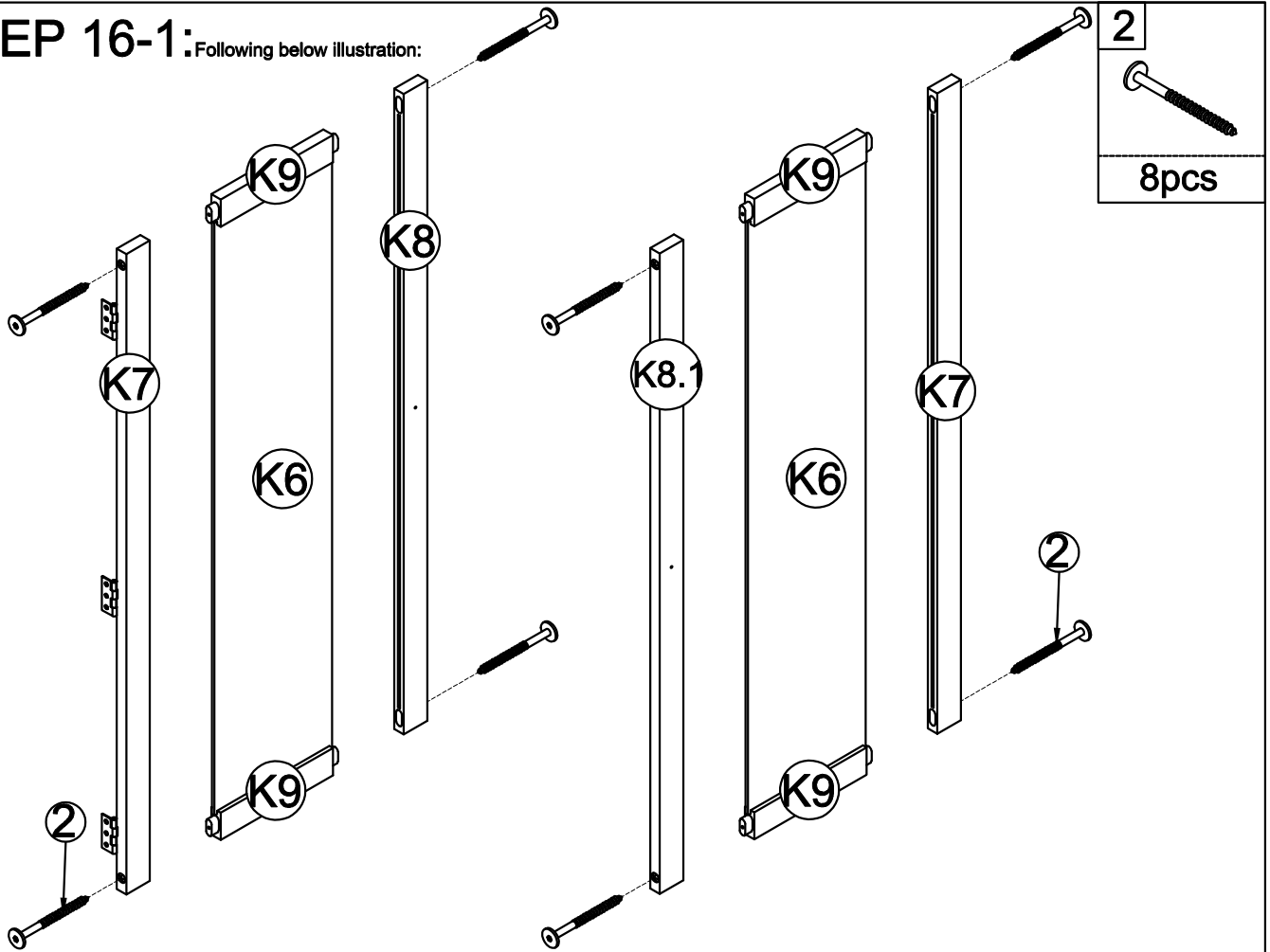
11



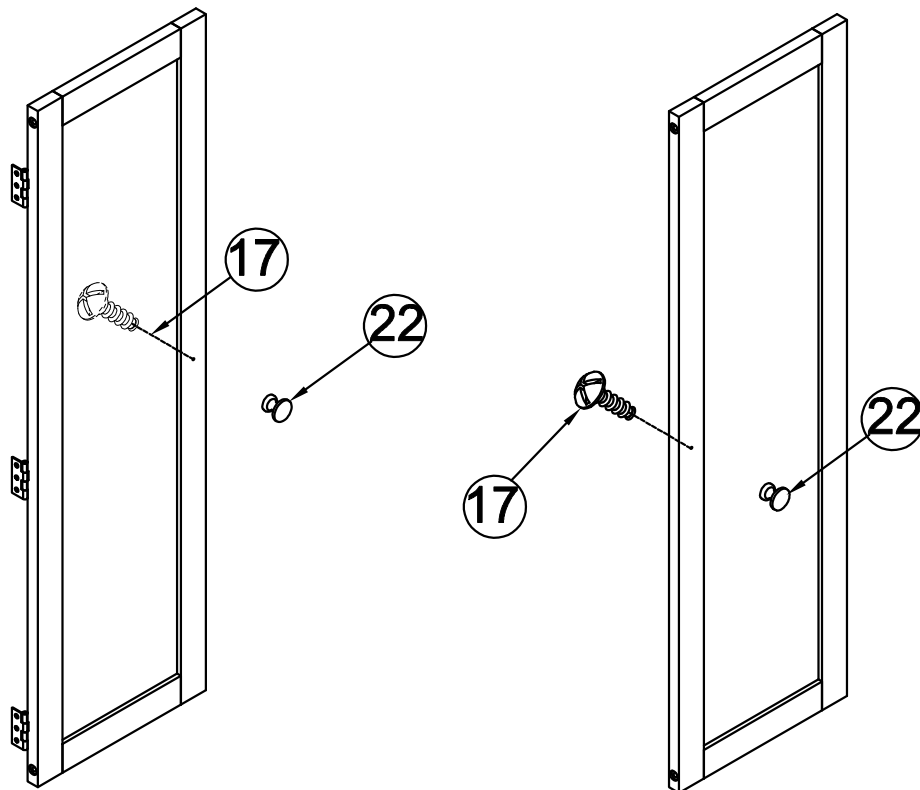
28pcs





STEP 16-1: Following below illustration:

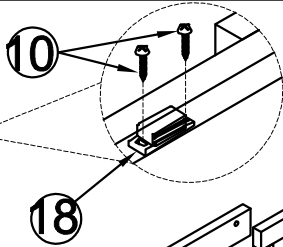
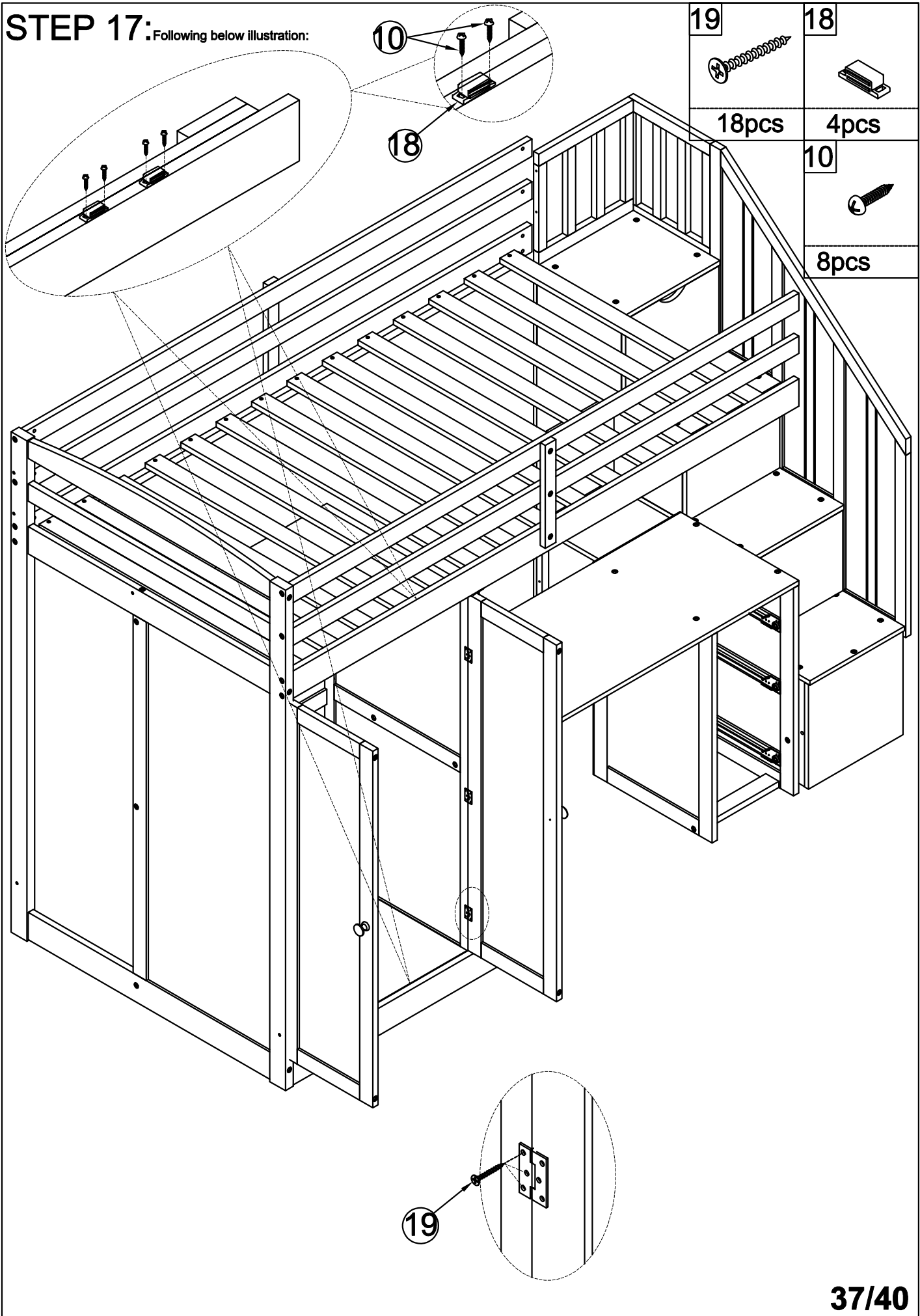


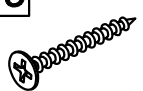


STEP 16-2: Following below illustration:

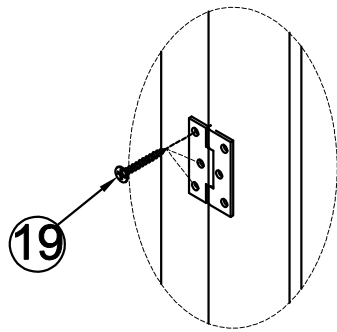


22	17
	
2pcs	2pcs



STEP 17: Following below illustration:

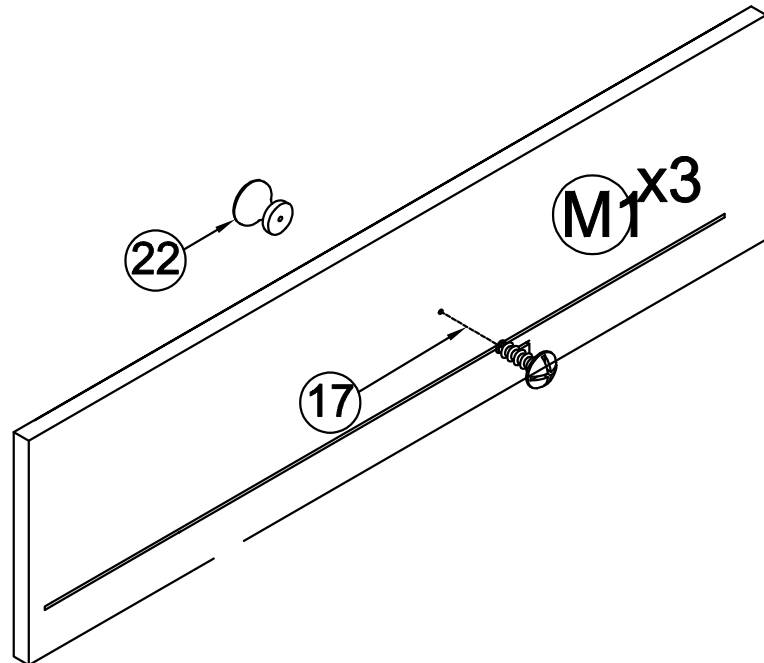


19		18	
	18pcs		4pcs
		10	
			8pcs

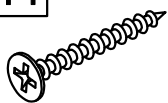


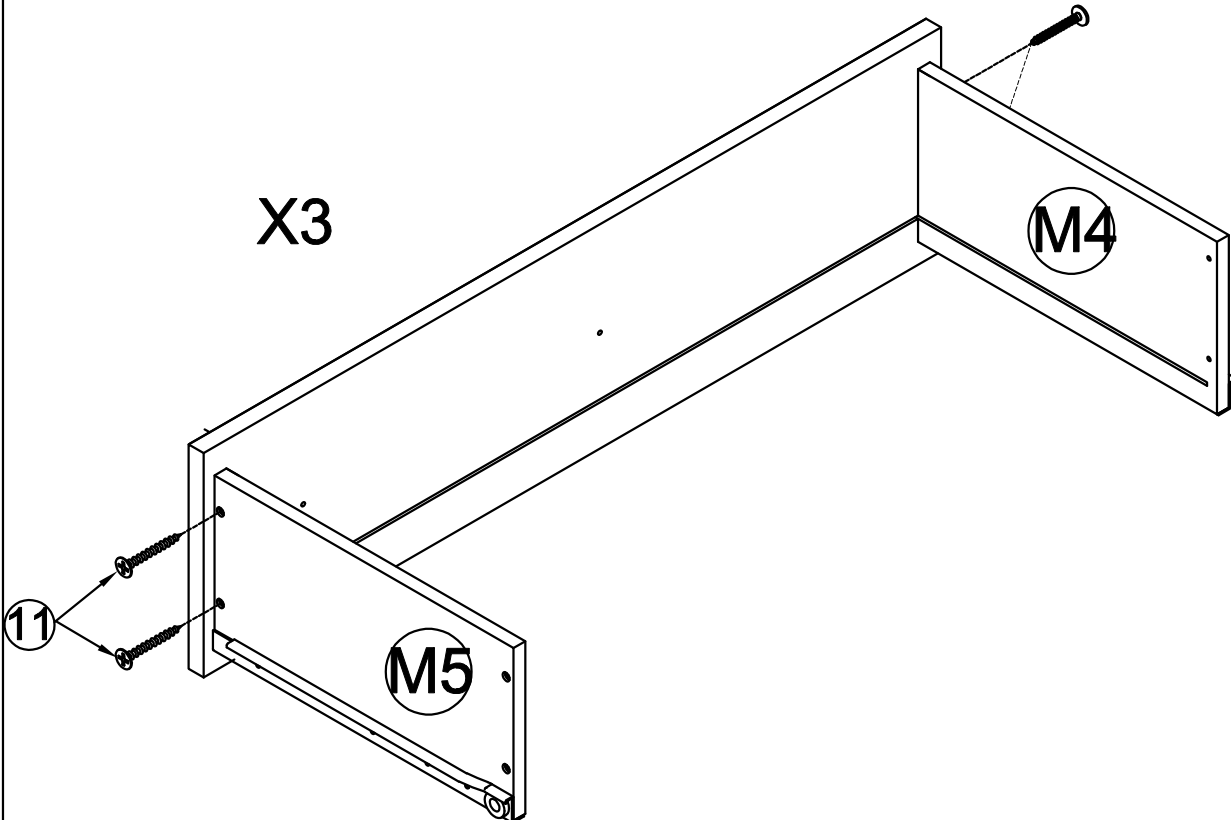
STEP 18-1:ASSEMBLY DRAWER

22	17
	
3pcs	3pcs



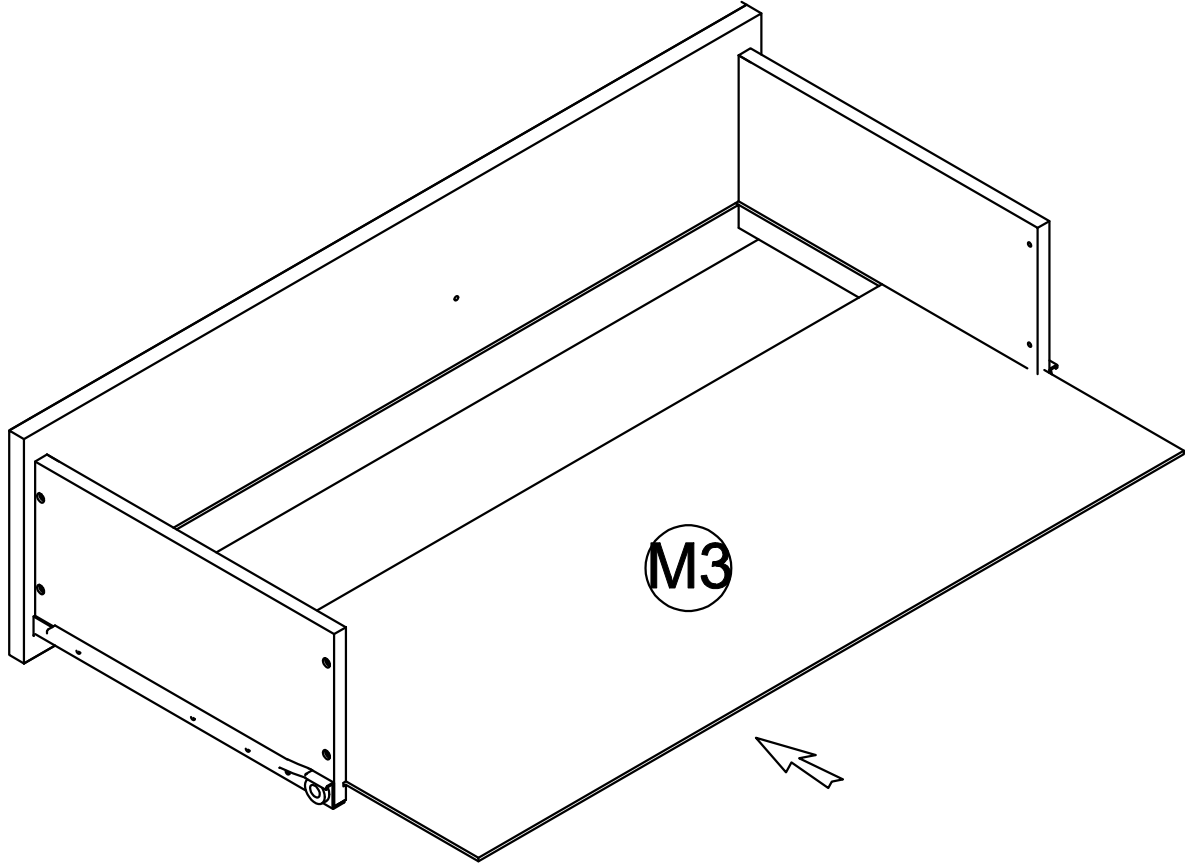
STEP 18-2:ASSEMBLY DRAWER

11

4x3pcs



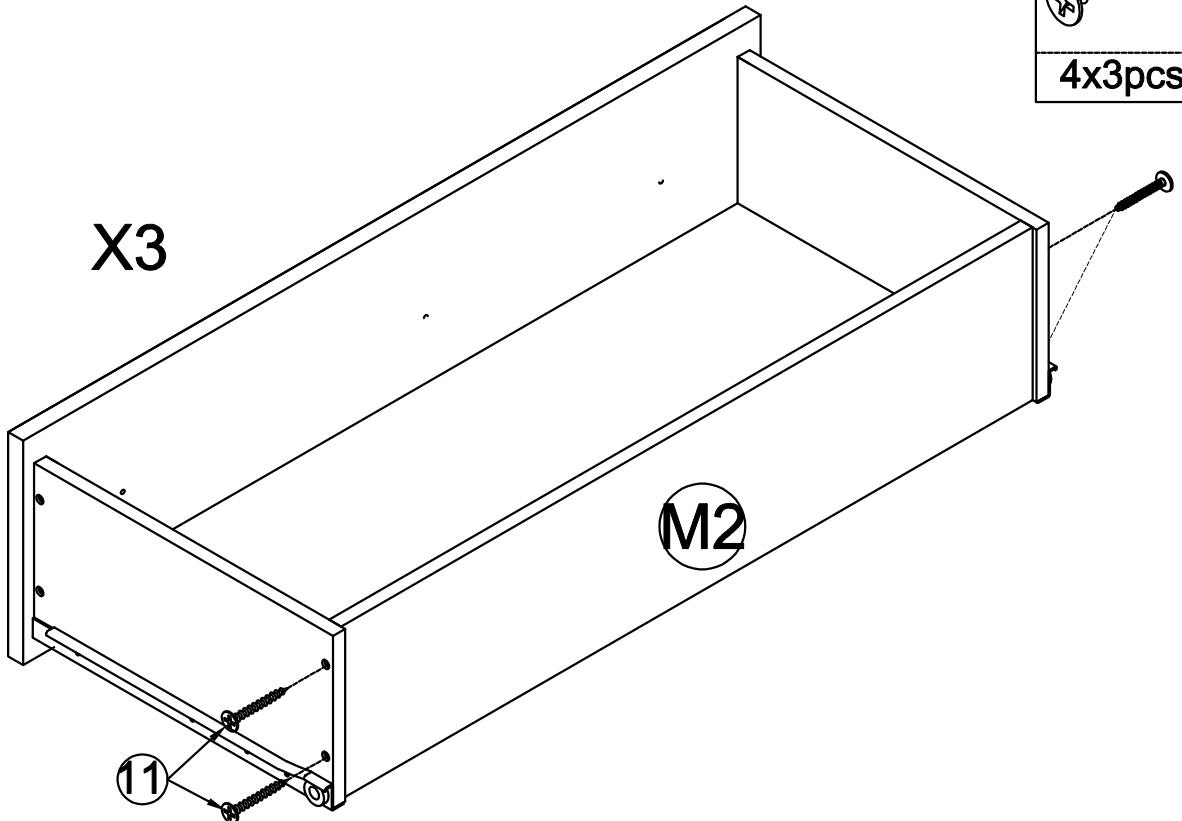
STEP 18-3:ASSEMBLY DRAWER

X3

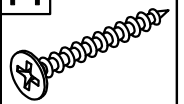


STEP 18-4:ASSEMBLY DRAWER

X3



11



4x3pcs

STEP 19: CONGRARULATION. YOU HAVE COMPLETED THE BED.

Push 3 Drawer into it position

