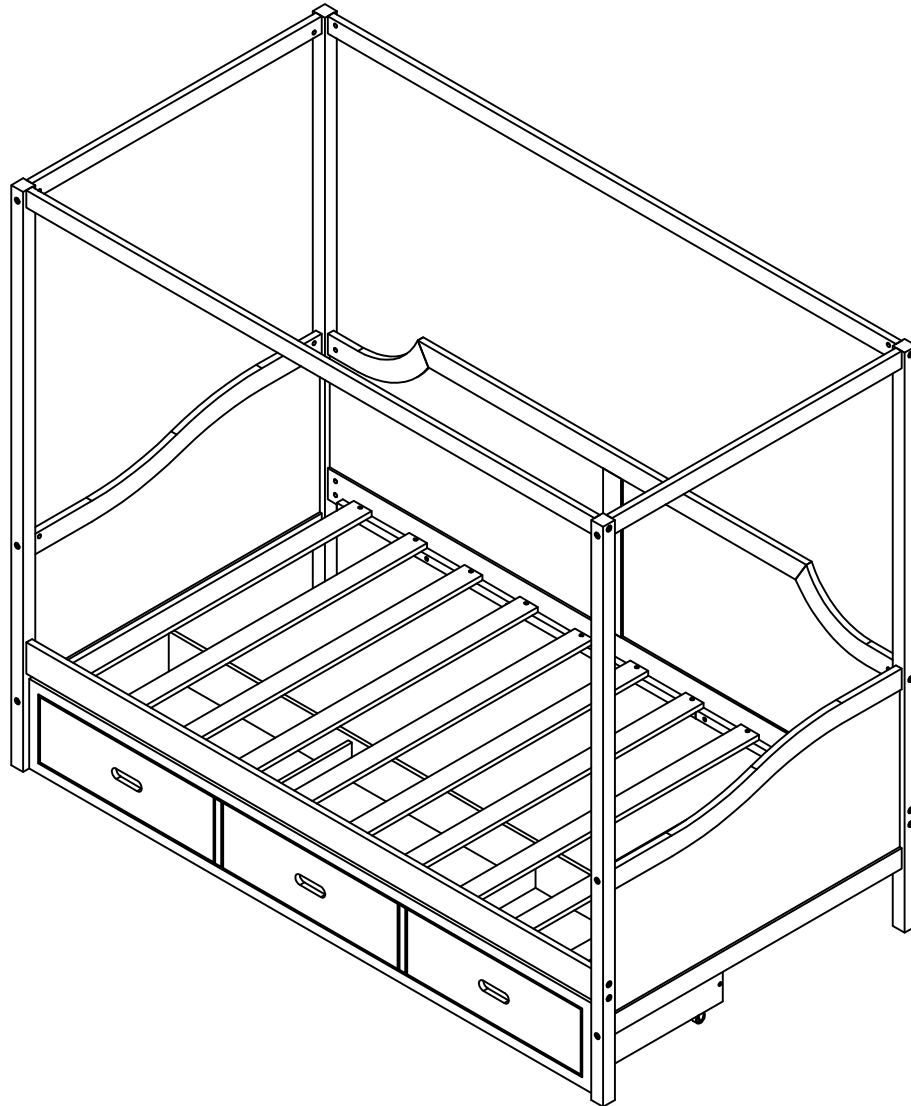
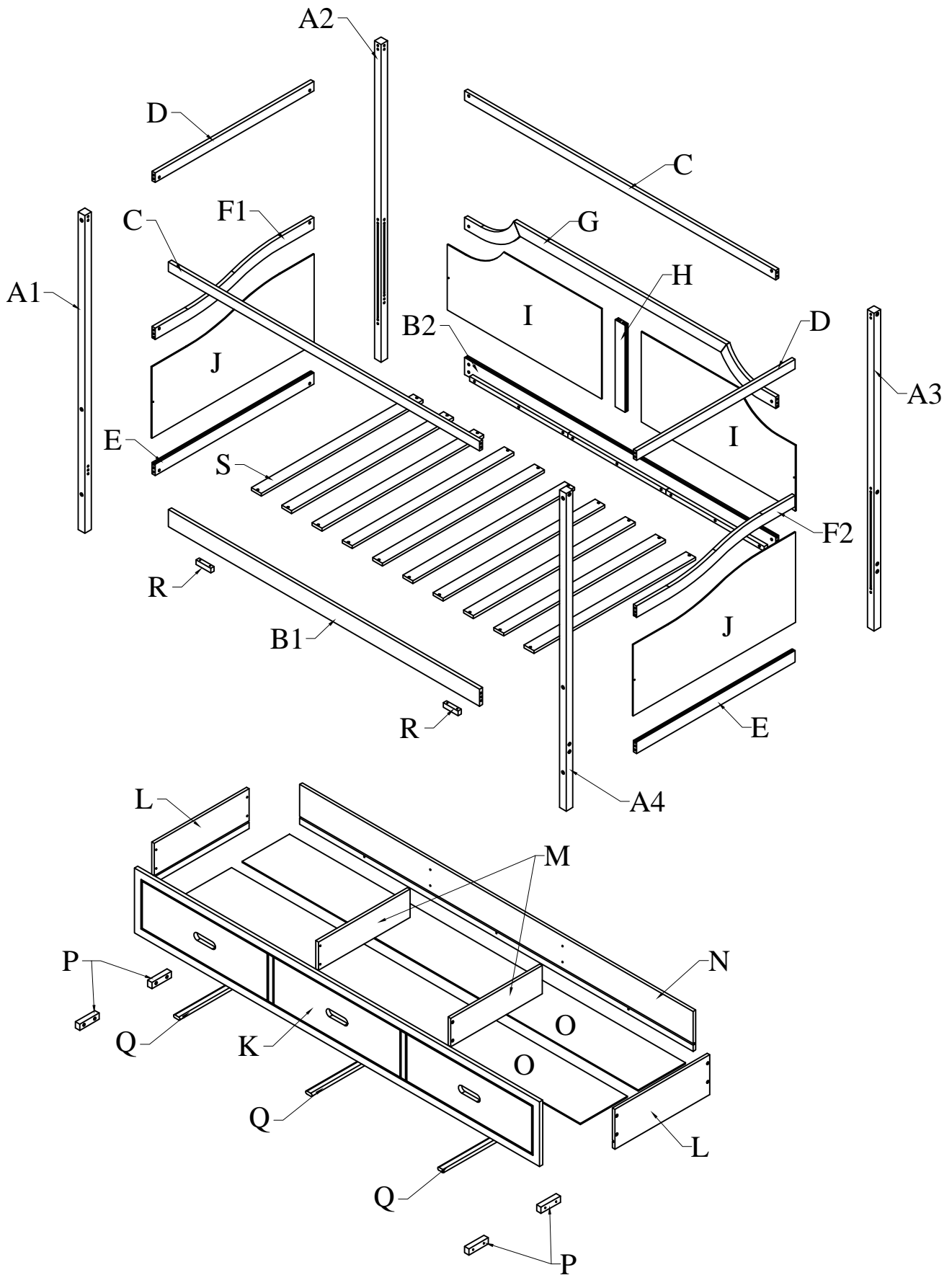


ASSEMBLY INSTRUCTIONS





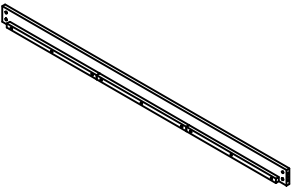
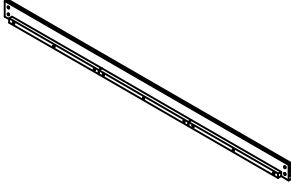
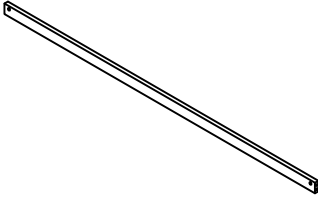
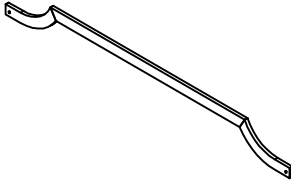
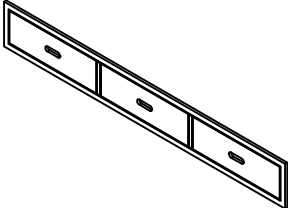
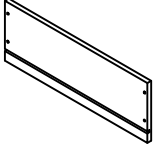
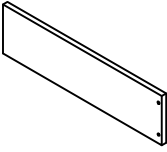
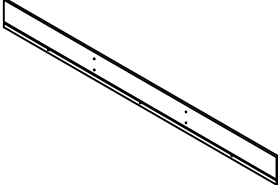
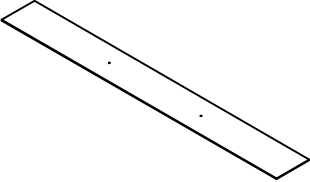

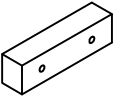
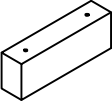
ITEM CODE: WF294338 / WF294339



DETAIL VIEW

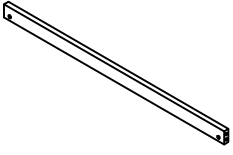


BOX 1: WF294338

<p>A1</p>  <p>Front leg - left (1pc)</p>	<p>A2</p>  <p>Back leg - left (1pc)</p>	<p>A3</p>  <p>Back leg - right (1pc)</p>	<p>A4</p>  <p>Front leg - right (1pc)</p>
<p>B1</p>  <p>Front side rail (1pc)</p>	<p>B2</p>  <p>Back side rail (1pc)</p>	<p>C</p>  <p>Guardrail - front & back (2pcs)</p>	<p>G</p>  <p>Middle back rail (1pc)</p>
<p>K</p>  <p>Front drawer (1pc)</p>	<p>L</p>  <p>Side drawer (2pcs)</p>	<p>M</p>  <p>Partition drawer (2pcs)</p>	<p>N</p>  <p>Back drawer (1pc)</p>
<p>O</p>  <p>Bottom drawer (2pcs)</p>	<p>Q</p>  <p>Support bottom drawer (4pcs)</p>	<p>P</p>  <p>Support drawer (4pcs)</p>	<p>R</p>  <p>Support rail (2pcs)</p>

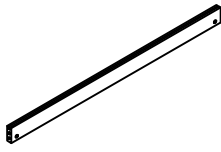
BOX 2: WF294339

D



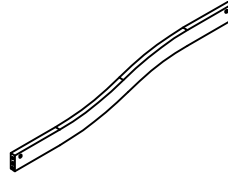
Guardrail - left & right (2pcs)

E



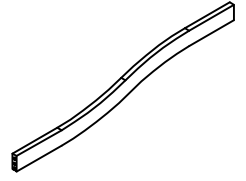
Side rail - bottom (2pcs)

F1



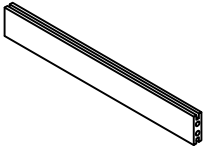
Middle side rail - left (1pc)

F2



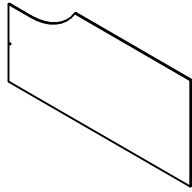
Middle side rail - right (1pc)

H



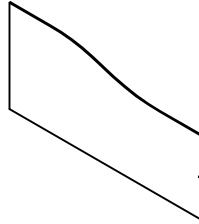
Vertical back rail (1pc)

I



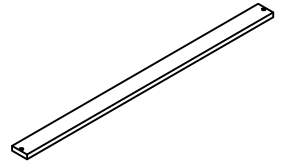
Back panel (2pcs)

J



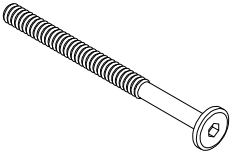
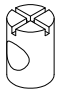
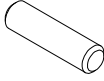
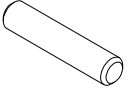
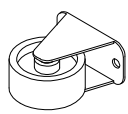
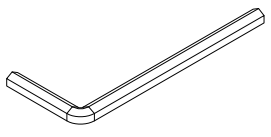
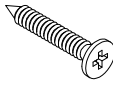

Side panel (2pcs)

S



Slats (10pcs)

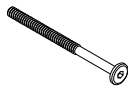

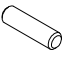
HARDWARE LIST: WF294338

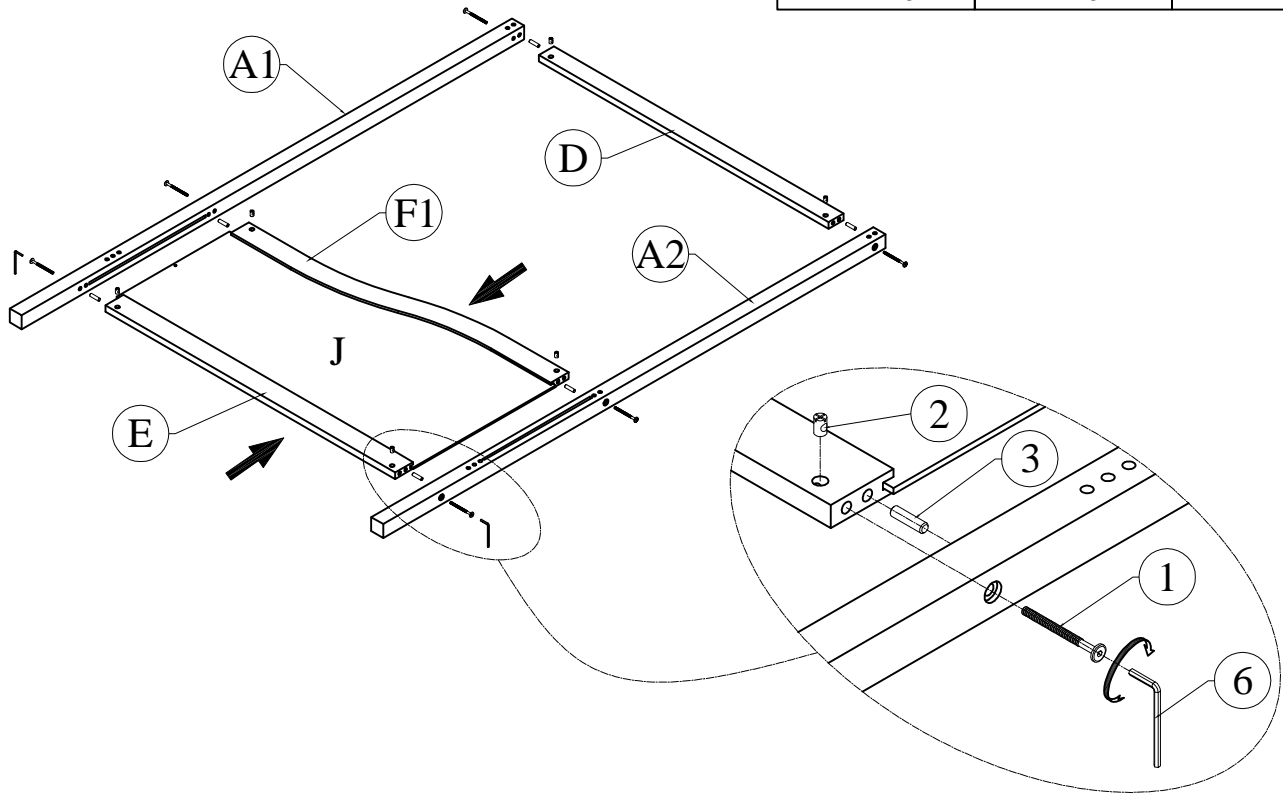
<p>1</p>  <p>Hex - Head bolts Ø1/4" * 80 - 26pcs</p>	<p>2</p>  <p>Horizontal - Hold bolts Ø1/4" - 26pcs</p>	<p>3</p>  <p>Wood dowel Ø8 * 30 - 22pcs</p>	<p>4</p>  <p>Wood dowel Ø8 * 40 - 4pcs</p>
<p>5</p>  <p>Wheel 4pcs</p>	<p>6</p>  <p>Allen key K4 - 1pc</p>	<p>7</p>  <p>Wood crews M4 * 25 - 55pcs</p>	<p>8</p>  <p>Wood crews M3.5 * 15 - 42pcs</p>





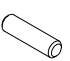
Assembly Tools Required (Not Included)

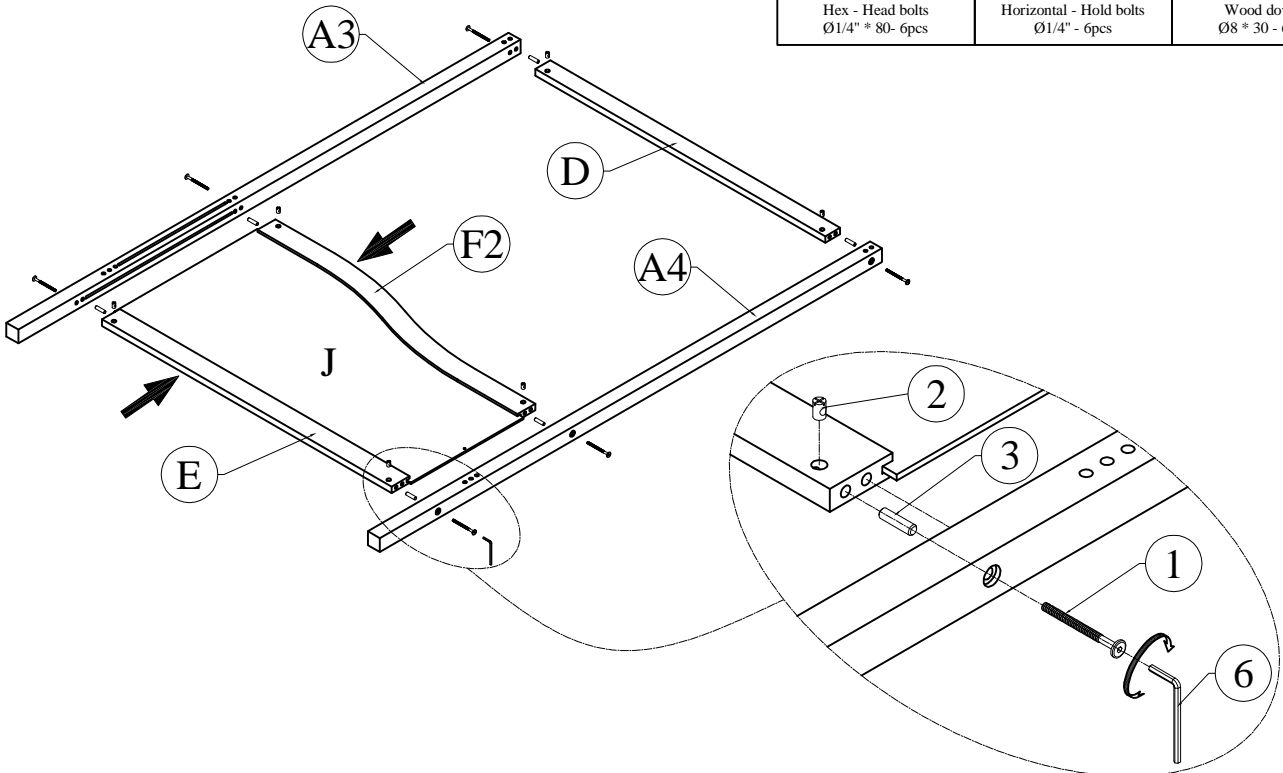
STEP 1

<p>1</p>  <p>Hex - Head bolts Ø1/4" * 80- 6pcs</p>	<p>2</p>  <p>Horizontal - Hold bolts Ø1/4" - 6pcs</p>	<p>3</p>  <p>Wood dowel Ø8 * 30 - 6pcs</p>
--	--	---

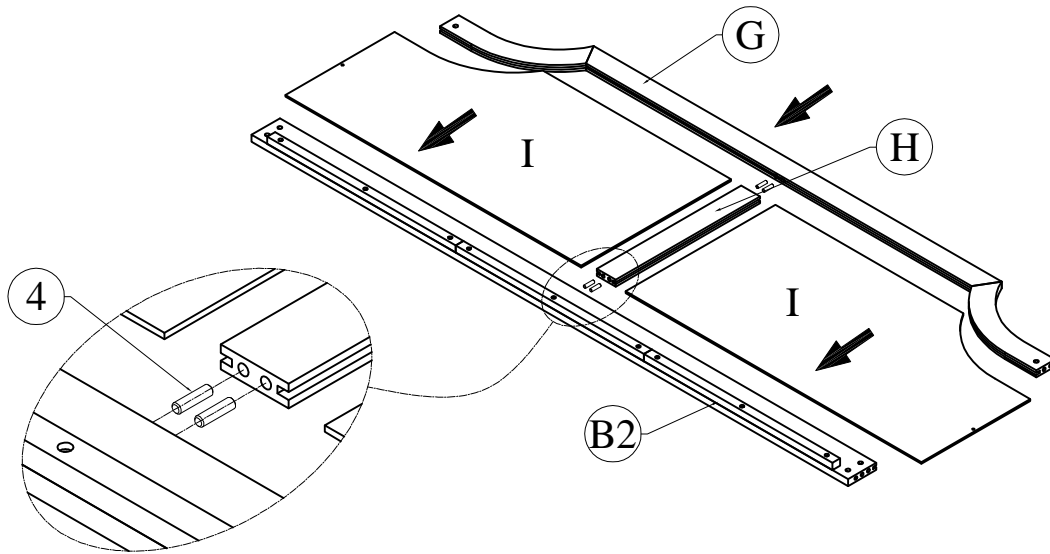


STEP 2

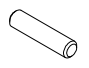
<p>1</p>  <p>Hex - Head bolts Ø1/4" * 80- 6pcs</p>	<p>2</p>  <p>Horizontal - Hold bolts Ø1/4" - 6pcs</p>	<p>3</p>  <p>Wood dowel Ø8 * 30 - 6pcs</p>
--	--	---



STEP 3

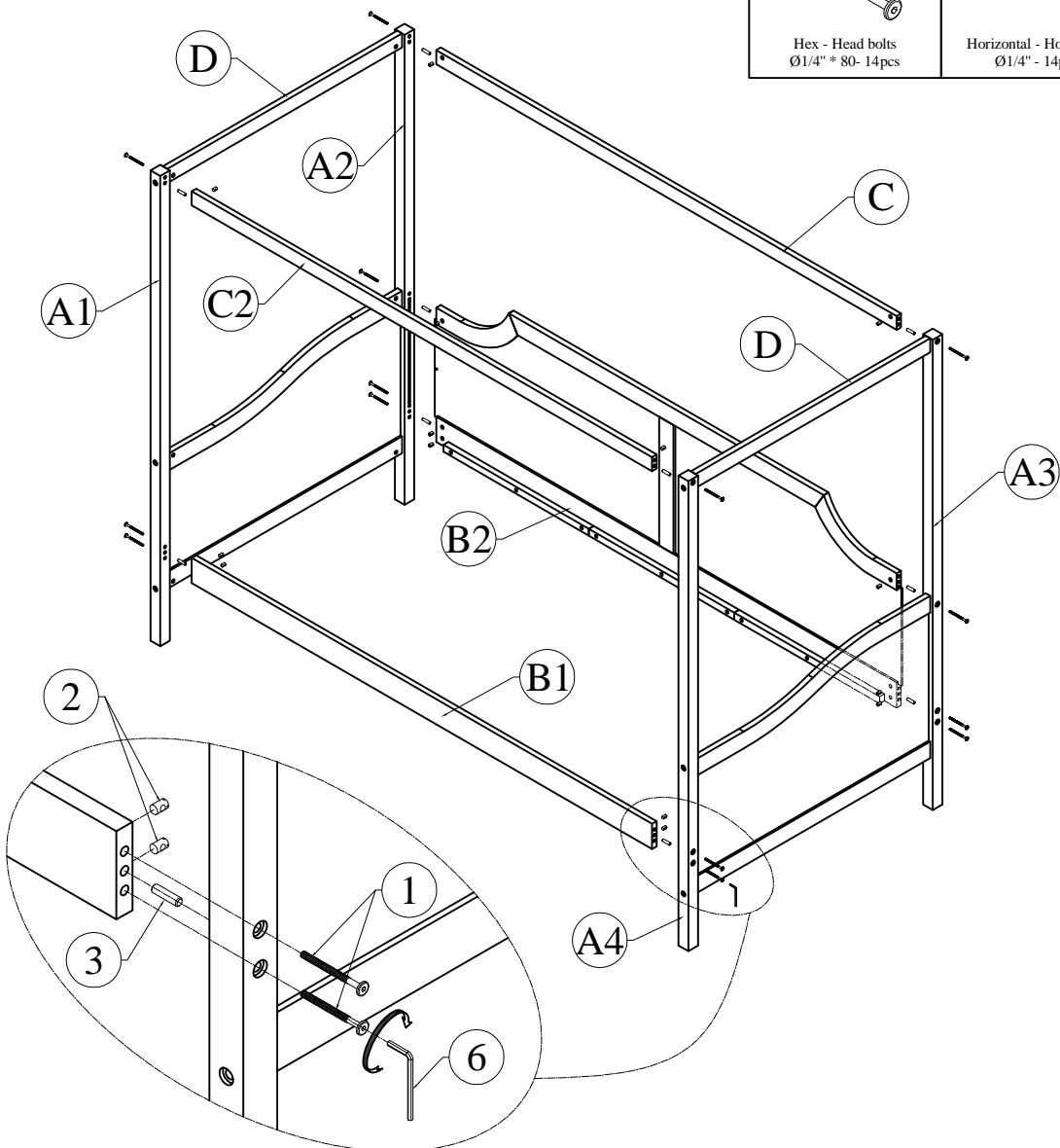




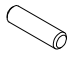
4



Wood dowel
Ø8 * 40 - 4pcs

STEP 4



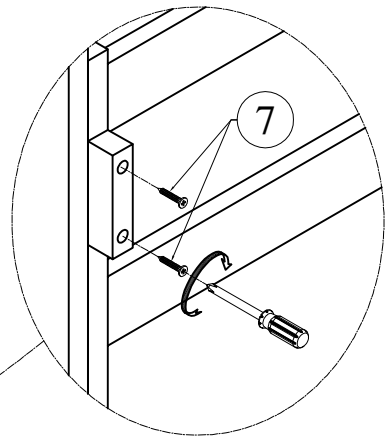
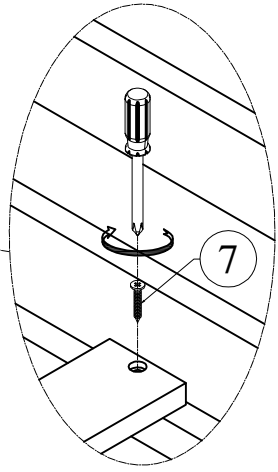
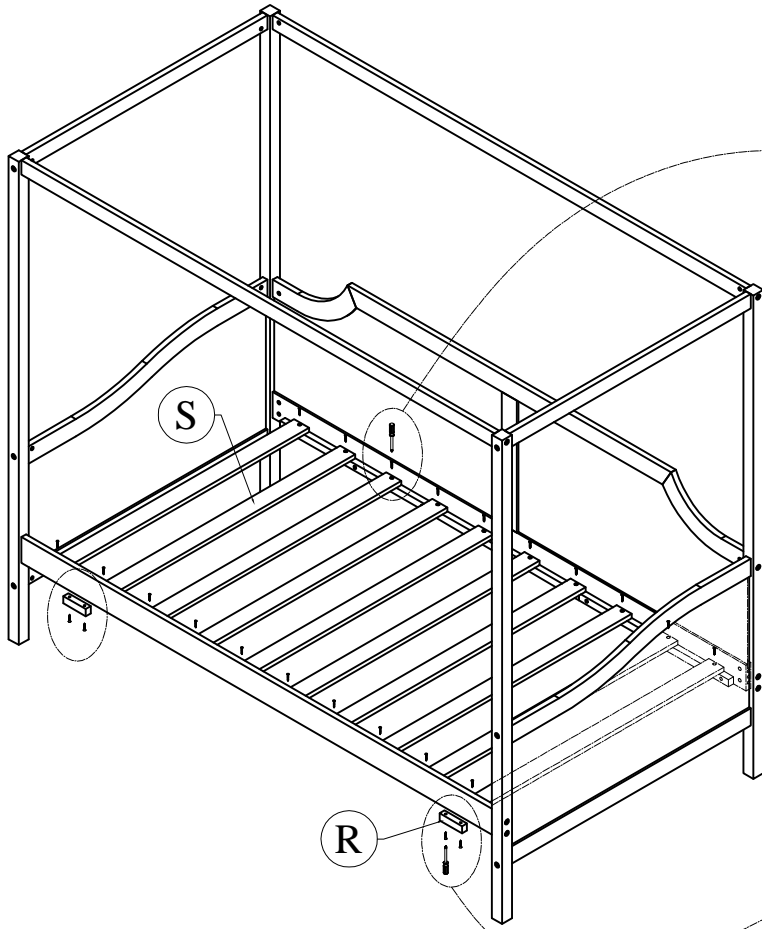
<p>1</p>  <p>Hex - Head bolts Ø1/4" * 80- 14pcs</p>	<p>2</p>  <p>Horizontal - Hold bolts Ø1/4" - 14pcs</p>	<p>3</p>  <p>Wood dowel Ø8 * 30 - 10pcs</p>
---	---	--

STEP 5

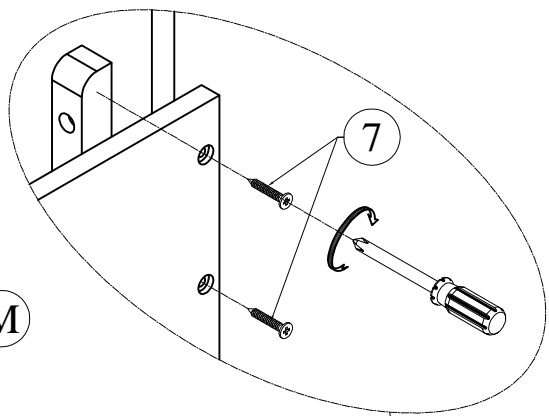
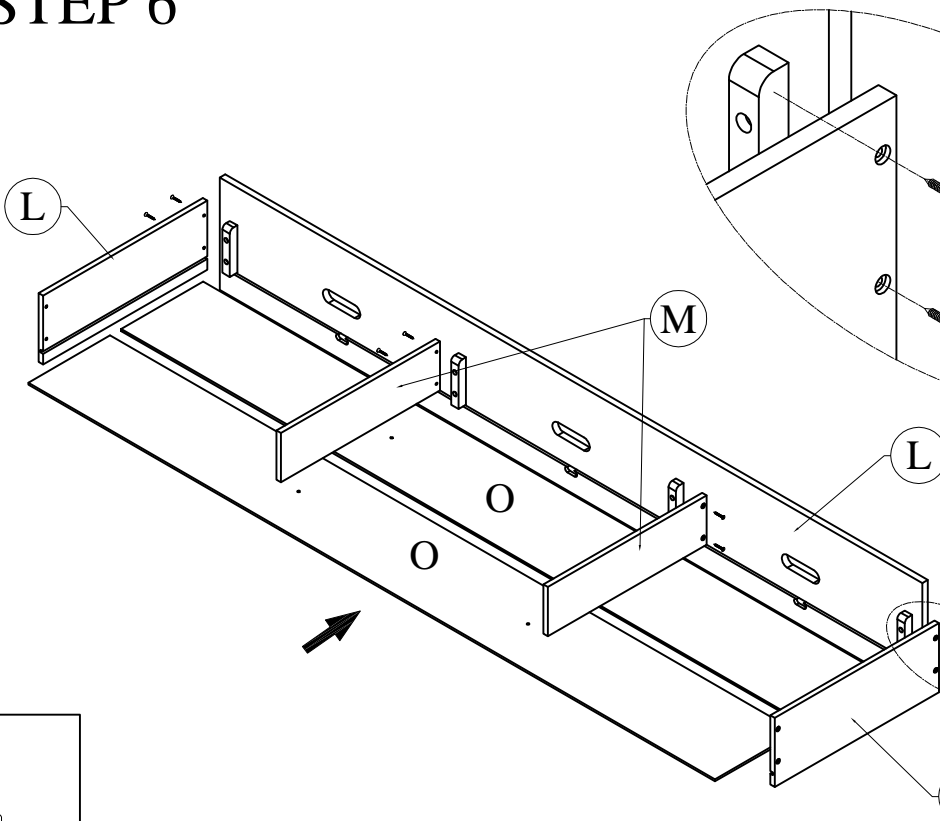
7



Wood crews
M4 * 25 - 24pcs



STEP 6



7



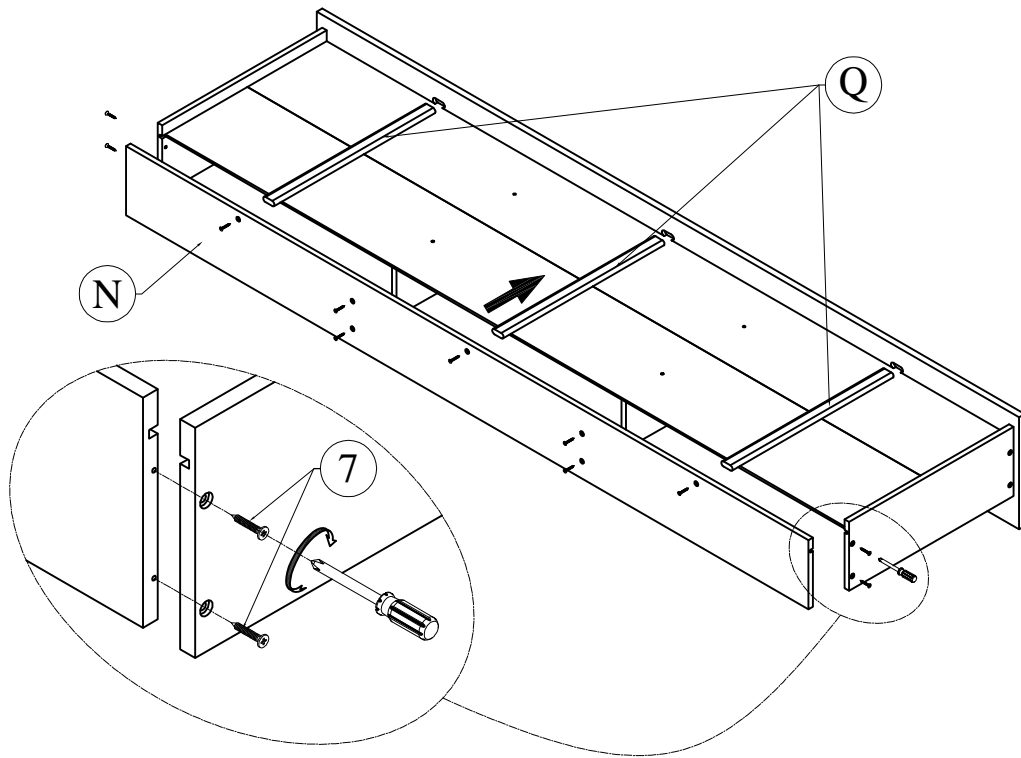
Wood crews
M4 * 25 - 8pcs

STEP 7

7



Wood crews
M4 * 25 - 11pcs

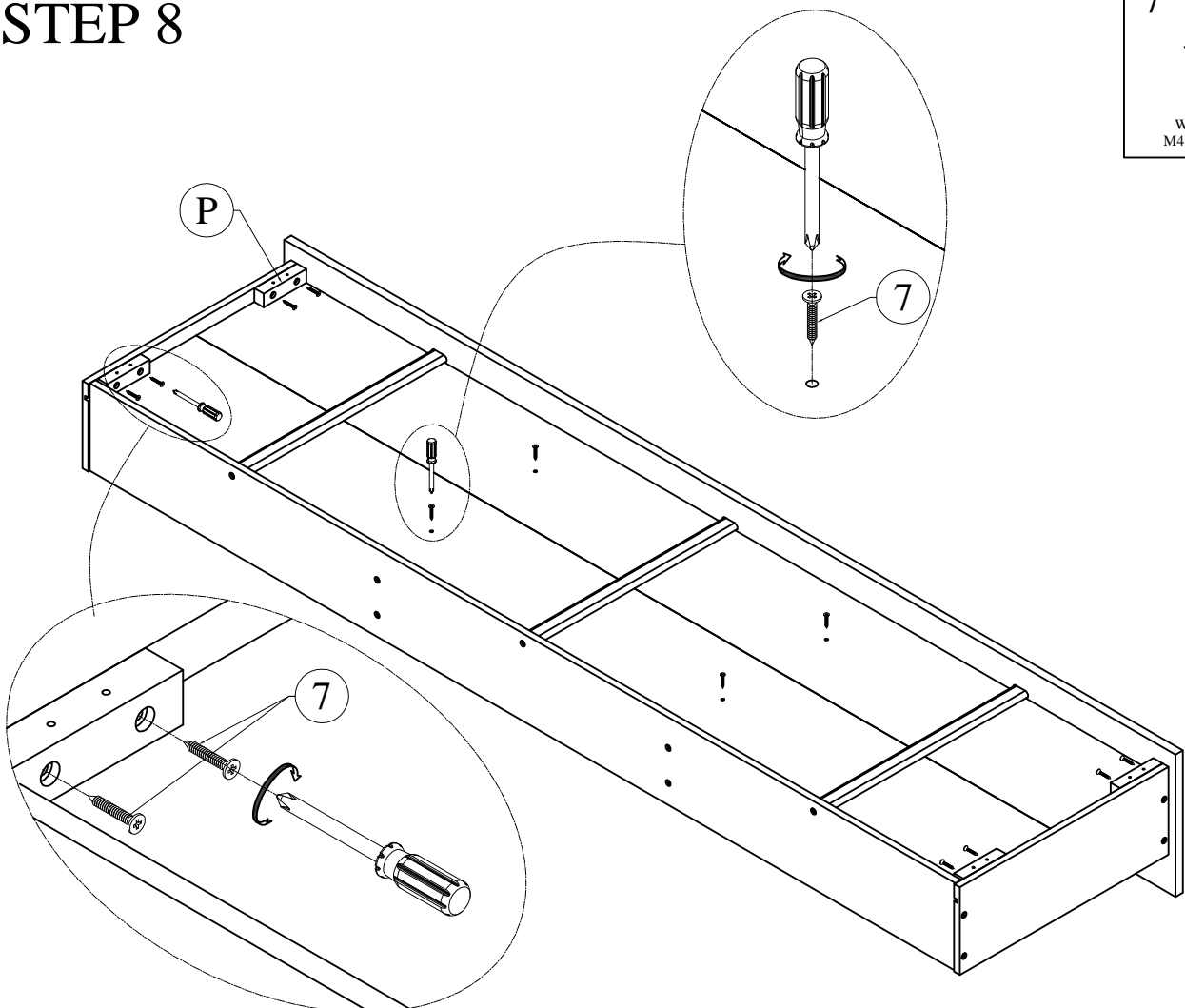


STEP 8

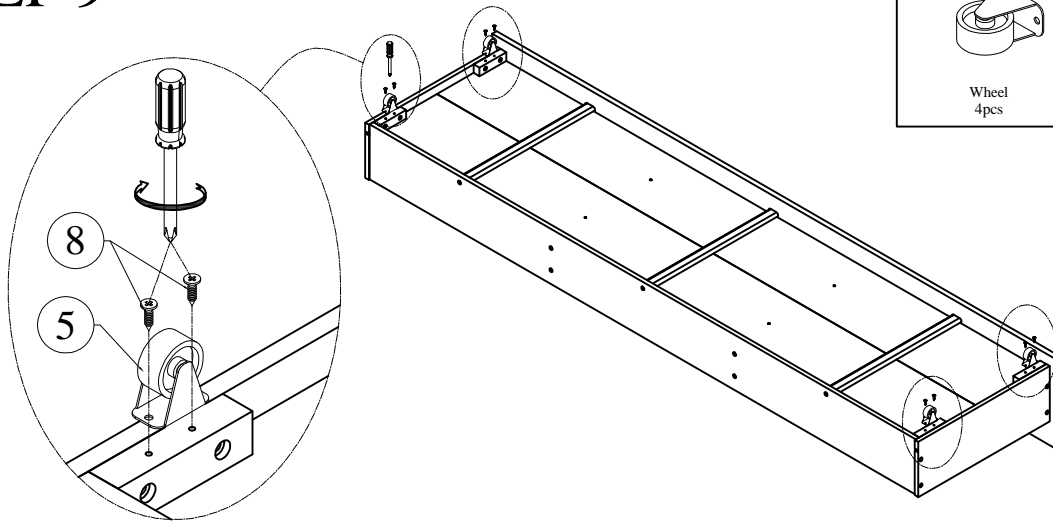
7



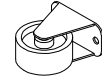
Wood crews
M4 * 25 - 12pcs



STEP 9



5



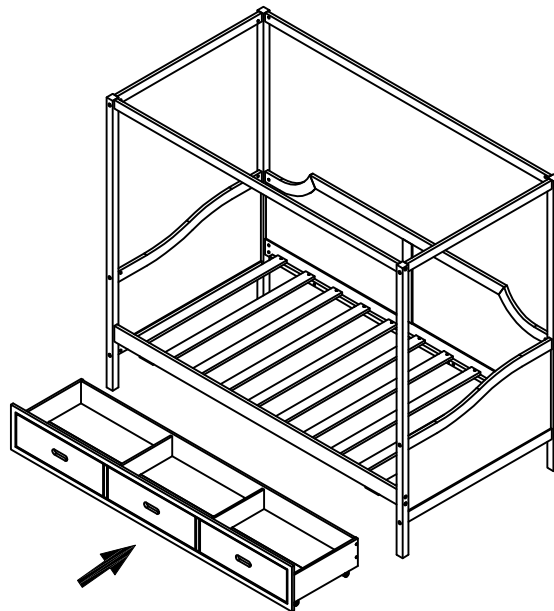
Wheel
4pcs

8



Wood crews
M3.5 * 15 - 8pcs

STEP 10



COMPLETED

