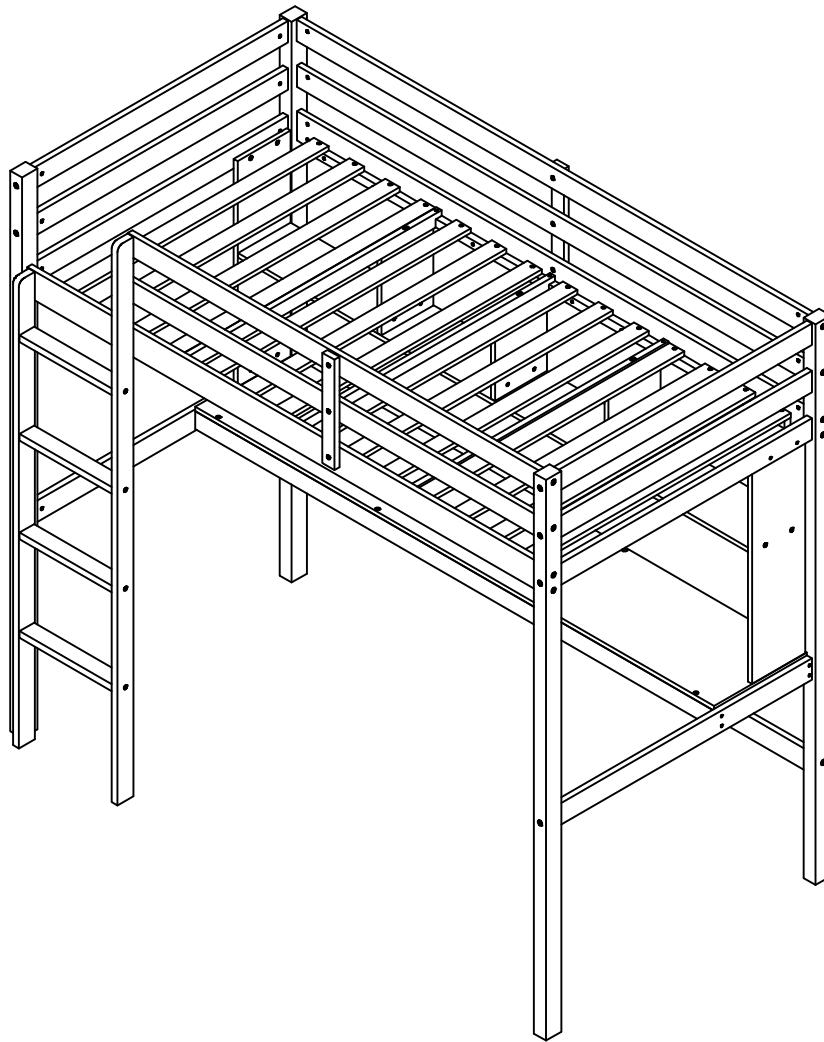


ASSEMBLY INSTRUCTIONS

HIGH LOFT BED



This set is included 2 boxes if don't receive full 2 boxes please contact our customer service team.

WF286072/WF286073

SAFETY WARNINGS AND GENERAL NOTES :

Follow the information on the warnings on the loft bed end structure and on the carton. Do not remove the warning label from the bed. Always use the recommended size mattress on mattress support, or both, to help prevent the likelihood of entrapment or falls.

The top surface of the mattress must be at least 5*inch (127mm) below the upper edge of the guardrail.

Do not allow children under 6 years of age to use the upper bunk.

Periodically check and ensure the guardrail, ladder and other components are in their proper position, free from damage, and all connectors are tight.

Do not allow horseplay on or under beds.

Always prohibit jumping on the bed.

Prohibit more than one person on upper bunk.

Always use the ladder for entering and leaving the upper bunk.

Do not use substitute parts. Contact the manufacturer or dealer for replacement parts.

Use of a night-tight may provide added safety precaution for a child using the upper bunk.

Always use guardrails on both long sides of the upper bunk.

If the loft bed will be placed next to a wall, the guardrail that runs the full length of the bed should be placed against the wall to prevent entrapment between the bed and the wall.

The use of water or sleep flotation mattresses is prohibited.

STRANGULATION HAZARD-Never attach or hang items to any part of the loft bed that are not designed for use with the bed.

Keep these instructions for future reference.

We recommend assembling your loft bed on the shipping carton to protect your floor or carpet.

Be certain all staples are out of the box before beginning assembly on the shipping carton.

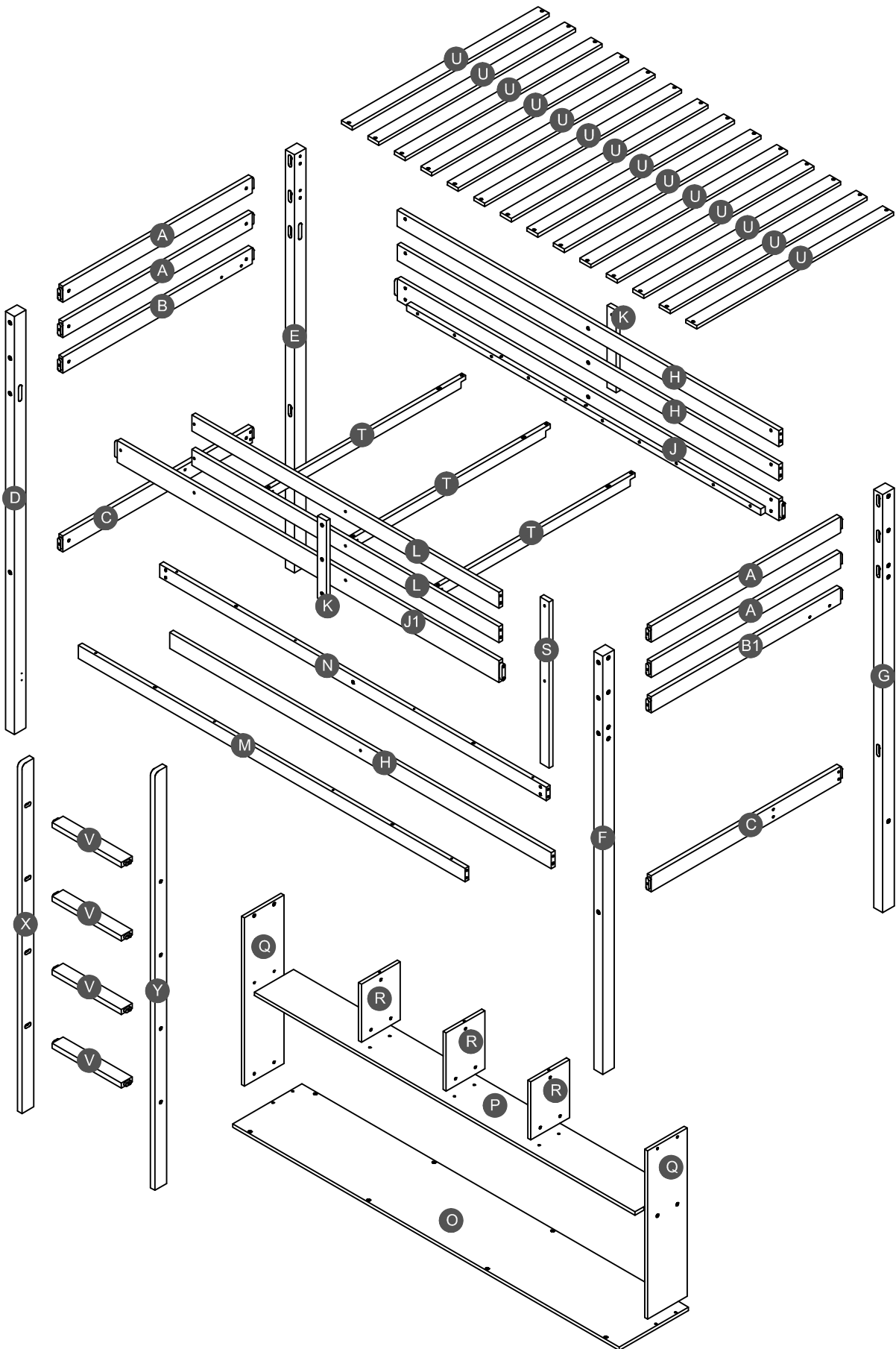
USE ONLY MATTRESSES WHICH ARE 74"-75" LONG AND 37 1/2" - 38 1/2" WIDE BUNK BED. ENSURE THICKNESS OF MATTRESS DOES NOT EXCEED 6".

SURFACE OF MATTRESS MUST BE AT LEAST 5" (127MM) BELOW THE UPPER EDGE OF GUARDRAILS.

Replacement Parts:

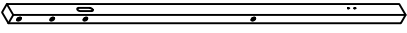
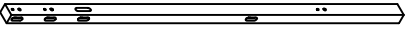
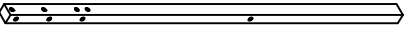
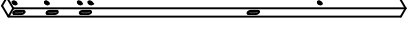
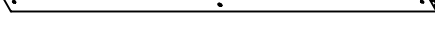
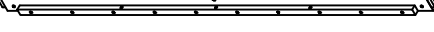
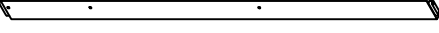
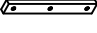
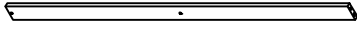
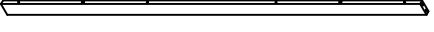
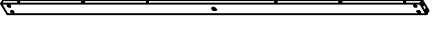

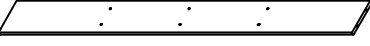
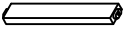
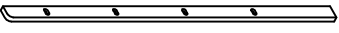
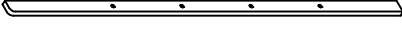
Replacement Parts, including additional guardrails, may be obtained from any of our (GIGACLOUD TECHNOLOGY (USA) INC.) dealers

Detail View

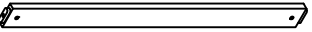
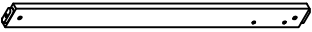
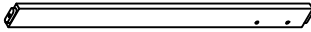
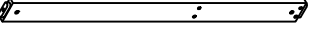
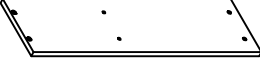
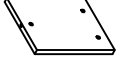
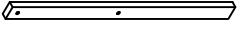

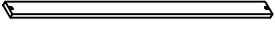


Part List

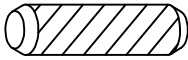
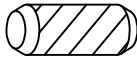
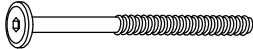
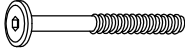




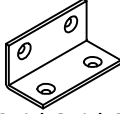
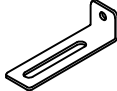




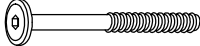
Hardware List WF286072

D  Leg (Left Front) - 1pc	E  Leg (Left Back) - 1pc	F  Leg (Right Front) - 1pc
G  Leg (Right Back) - 1pc	H  Long guard rail (Back) - 3pcs	J  Side rail (Back) - 1pc
J1  Side rail (Front) - 1pc	K  Vertical guard rail - 2pcs	L  Short guard rail (Front) - 2pcs
M  Horizontal (Front) - 1pc	N  Horizontal (Back) - 1pc	O  Bottom panel - 1pc
P  Middle shelf - 1pc	V  Step ladder - 4pcs	X  Left side ladder - 1pc
Y  Right side ladder - 1pc		

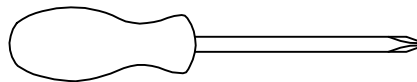
WF286073

A  Horizontal HB/FB - 4pcs	B  Horizontal FB (Left) - 1pc	B1  Horizontal HB (Right) - 1pc
C  Horizontal HB/FB - 2pcs	Q  Left / Right side panel - 2pcs	R  Upper middle panel - 3pcs
S  Support middle lower back - 1pc	T  Support panel - 3pcs	U  Slats - 14pcs

Hardware List



1  Ø10*40mm Wood dowel (8pcs)	2  Ø10*20mm Wood dowel (4pcs)	3  (Ø15)1/4"*100mm Hex-Head bolts (32pcs)
4  (Ø12)1/4"*60mm Hex-Head bolts (30pcs)	5  (Ø12)1/4"*40mm Hex-Head bolts (4pcs)	6  (Ø12)1/4"*30mm Hex-Head bolts (18pcs)
7  1/4"*15 (9.5mm) Horizontal-hole bolts(65pcs)	8  (Ø12)1/4"*40mm Hex-Head bolts (8pcs)	9  50*24*24*2mm Metal bracket (1pc)
10  58*16*16*(1.5mm) Metal bracket (2pcs)	11  (1/4")4.5*58mm Allen key (1pc)	12  Ø4*30mm Wood screws (36pcs)
13  Ø9*32mm Plastic anchor (2pcs)	14  Ø4*38mm Wood screws (2pcs)	15  (Ø15)1/4"*80mm Hex-Head bolts (3pcs)

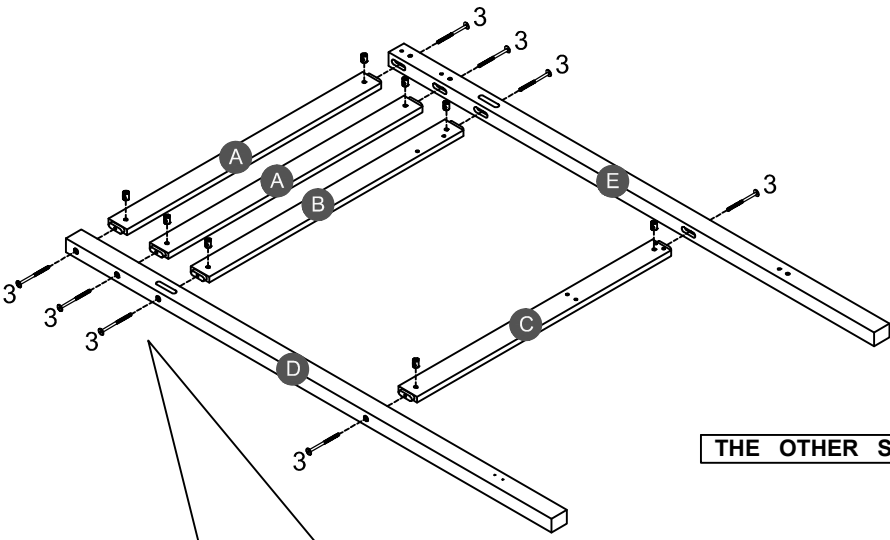
ASSEMBLY TOOLS REQUIRED (NOT INCLUDED)



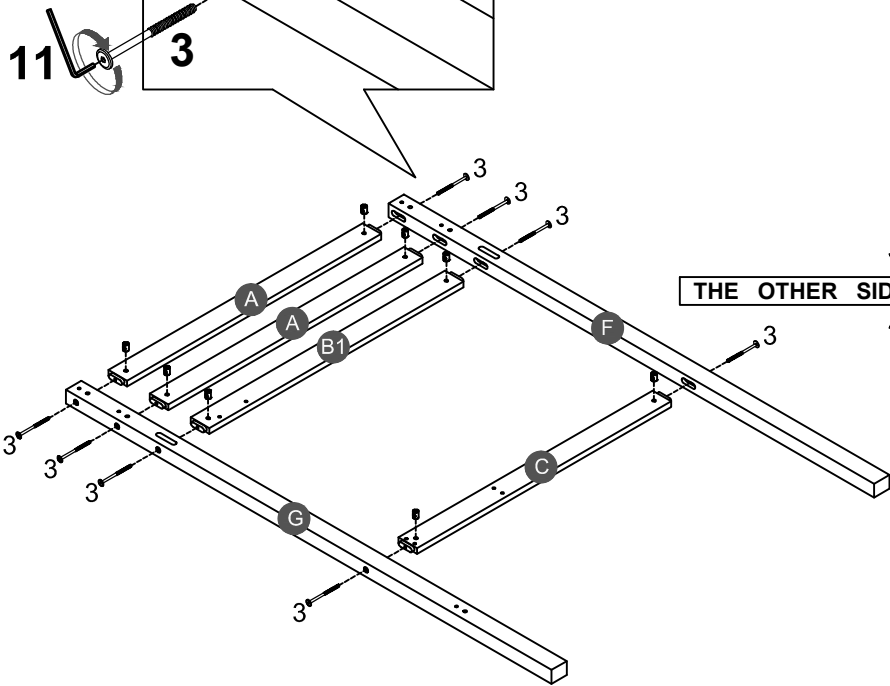
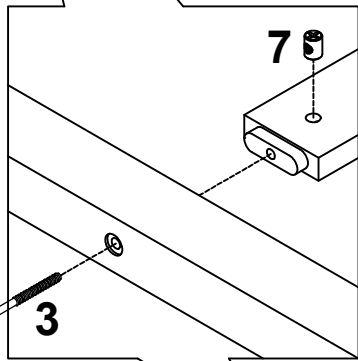
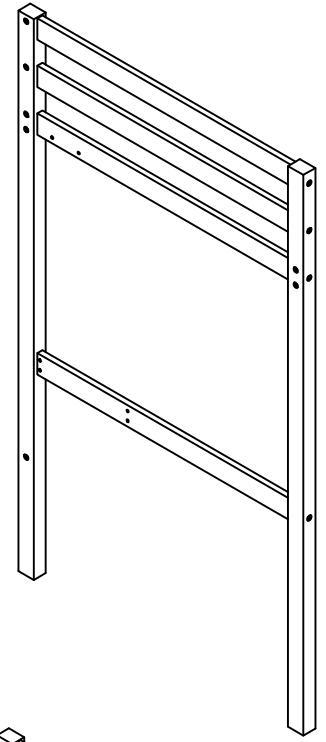
PLEASE BE CAREFUL DO NOT DAMAGE THE HOLE POSITION WHEN YOU USE POWER TOOLS !

STEP 1:

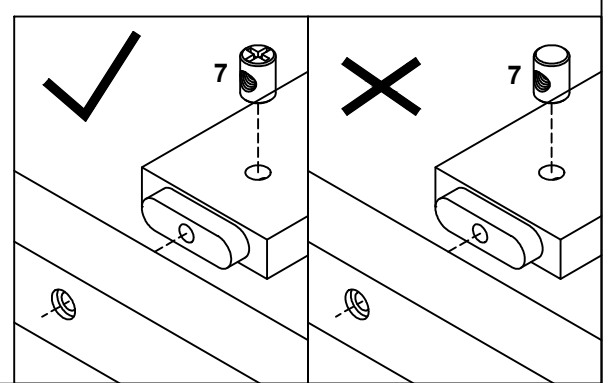
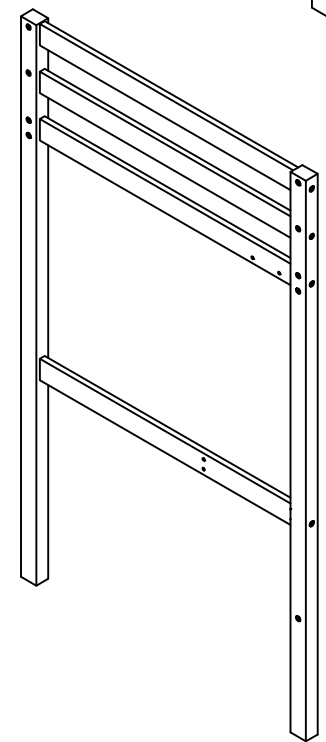
7 	3 
16PCS	16PCS



THE OTHER SIDE

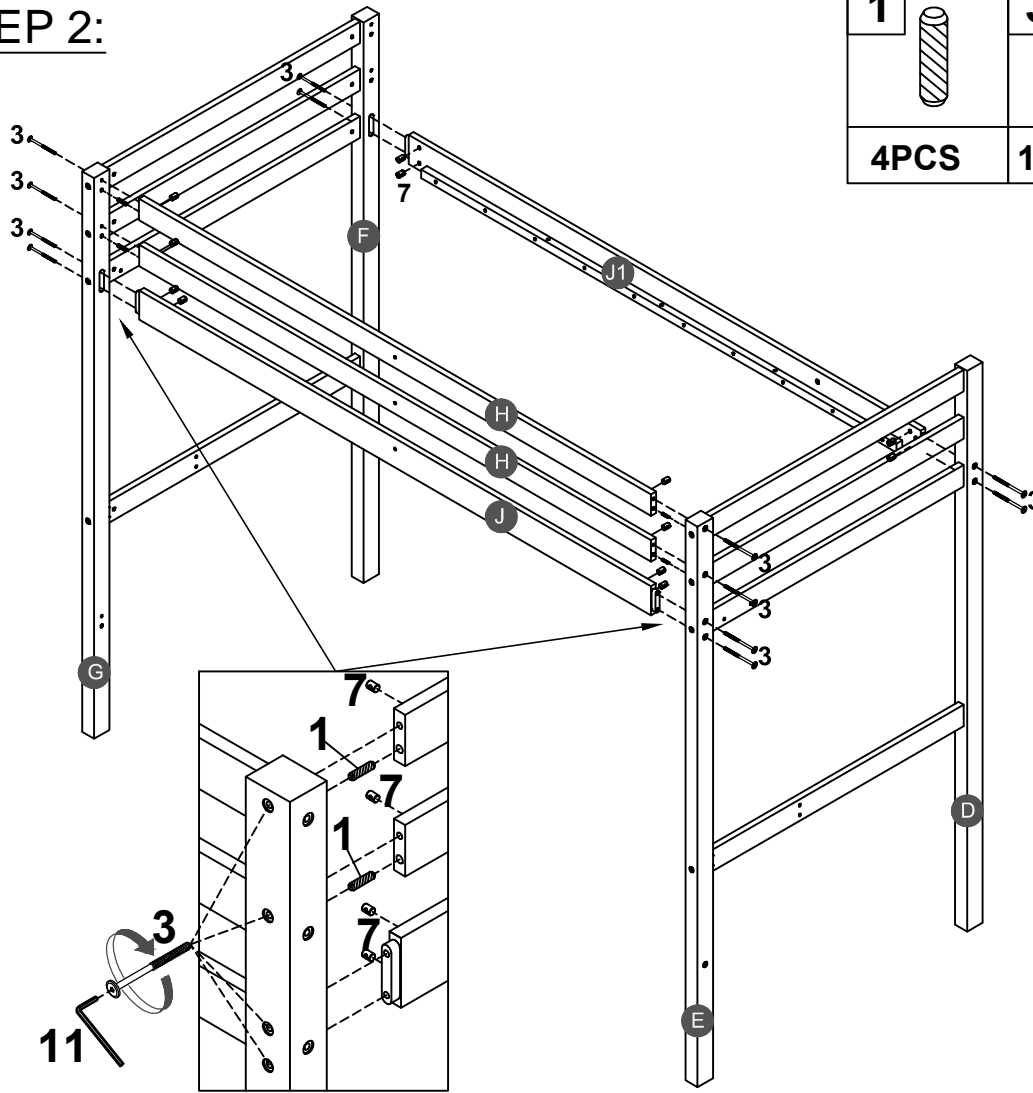





THE OTHER SIDE



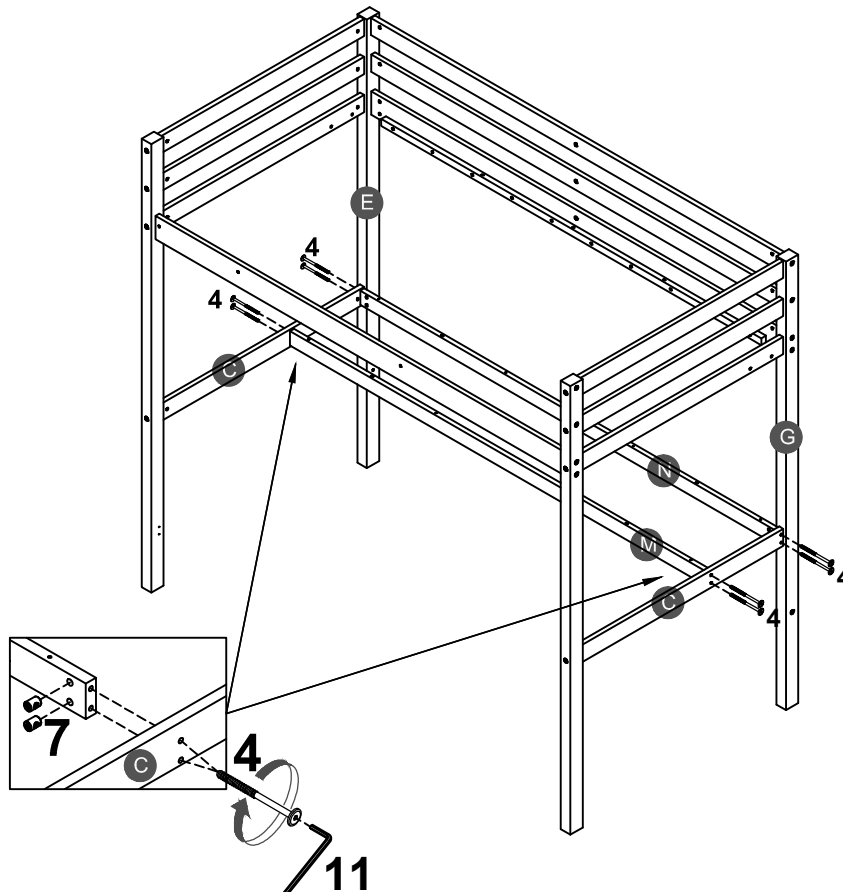
Note: Part 7 will face up with the "x" mark on it, otherwise it cannot be tightened



STEP 2:



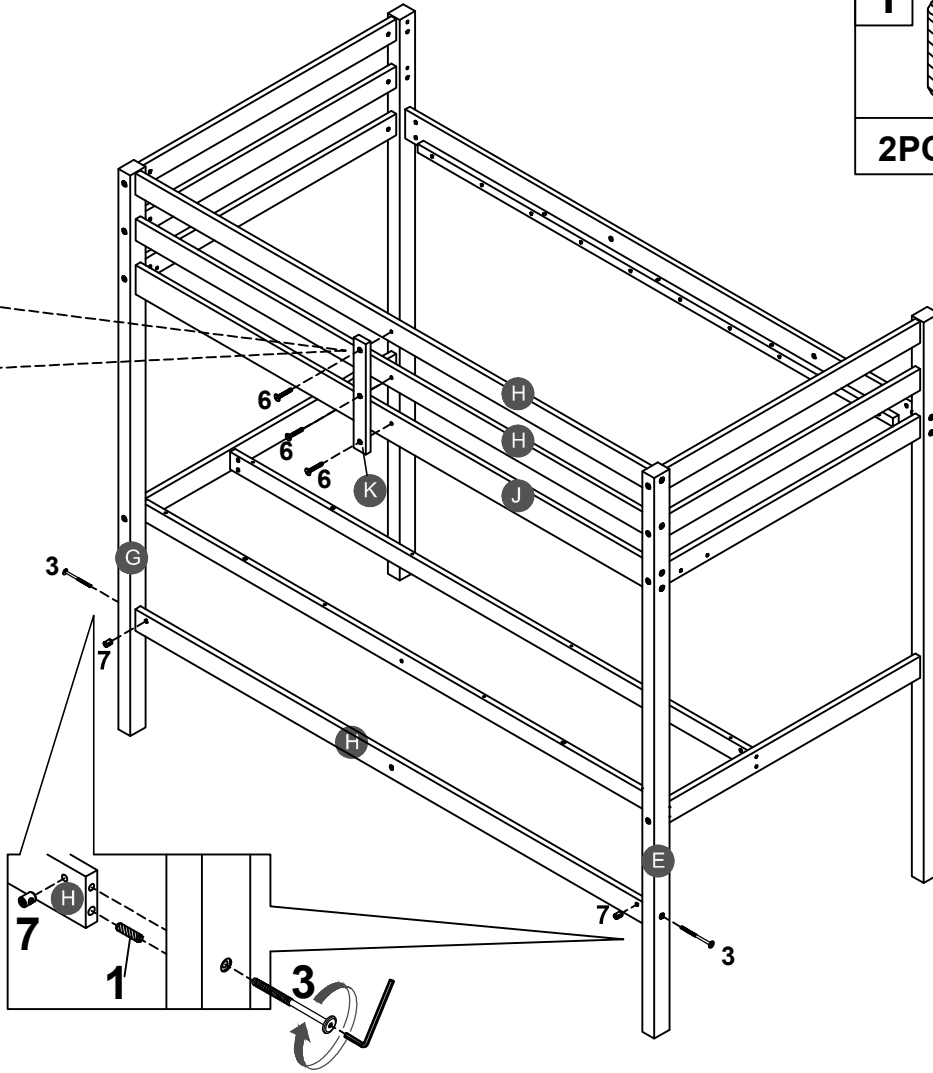
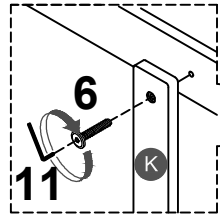
1		3		7	
	4PCS		12PCS		12PCS

STEP 3:



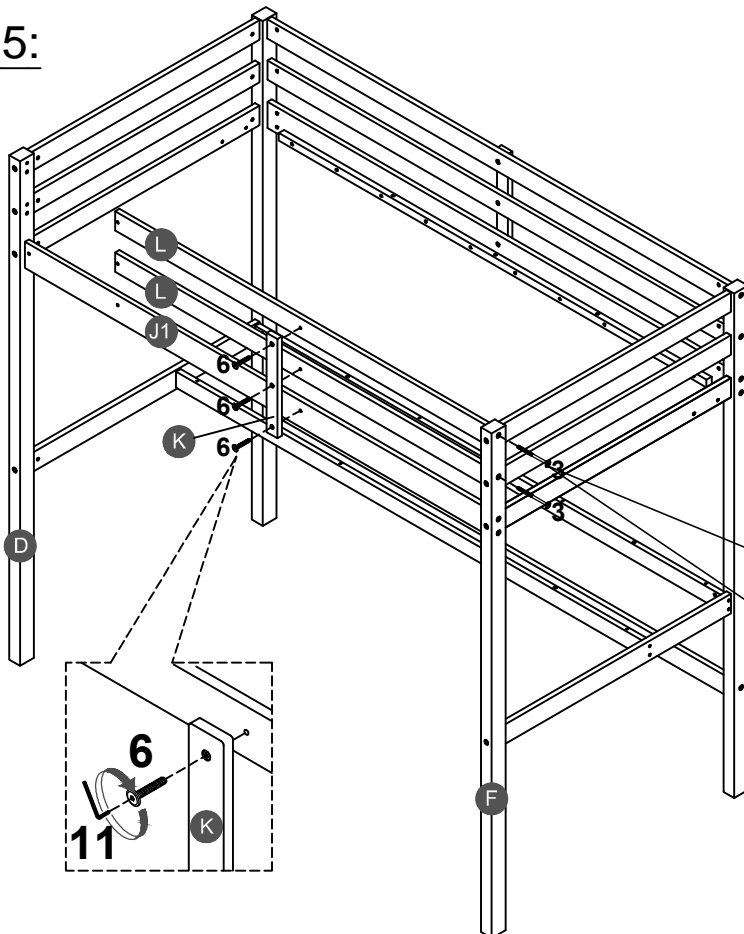
4		7	
	8PCS		8PCS

STEP 4:

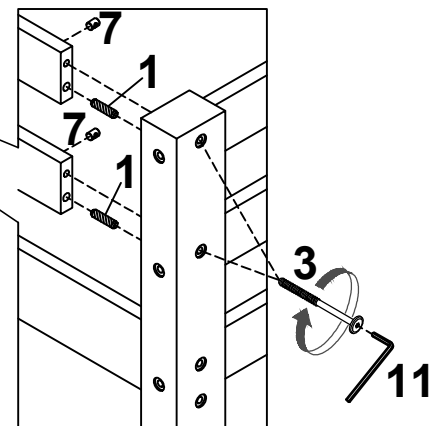


1		3	
2PCS		2PCS	
		6	
		3PCS	
		7	
		2PCS	



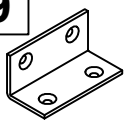

STEP 5:

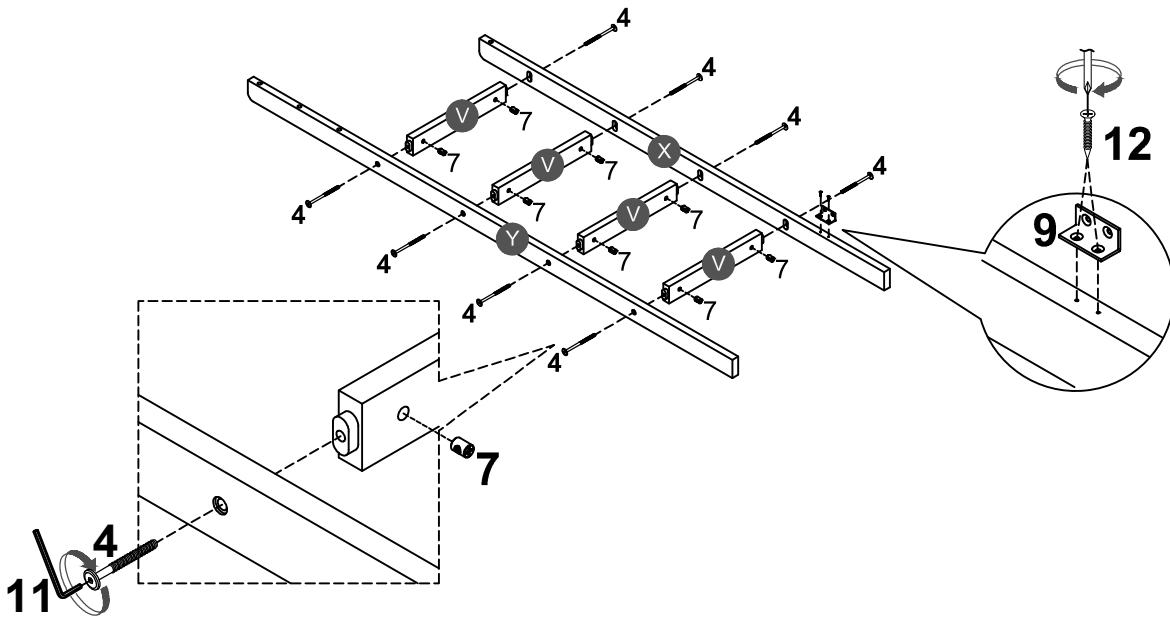


1		3		6	
2PCS		2PCS		3PCS	
				7	
				2PCS	





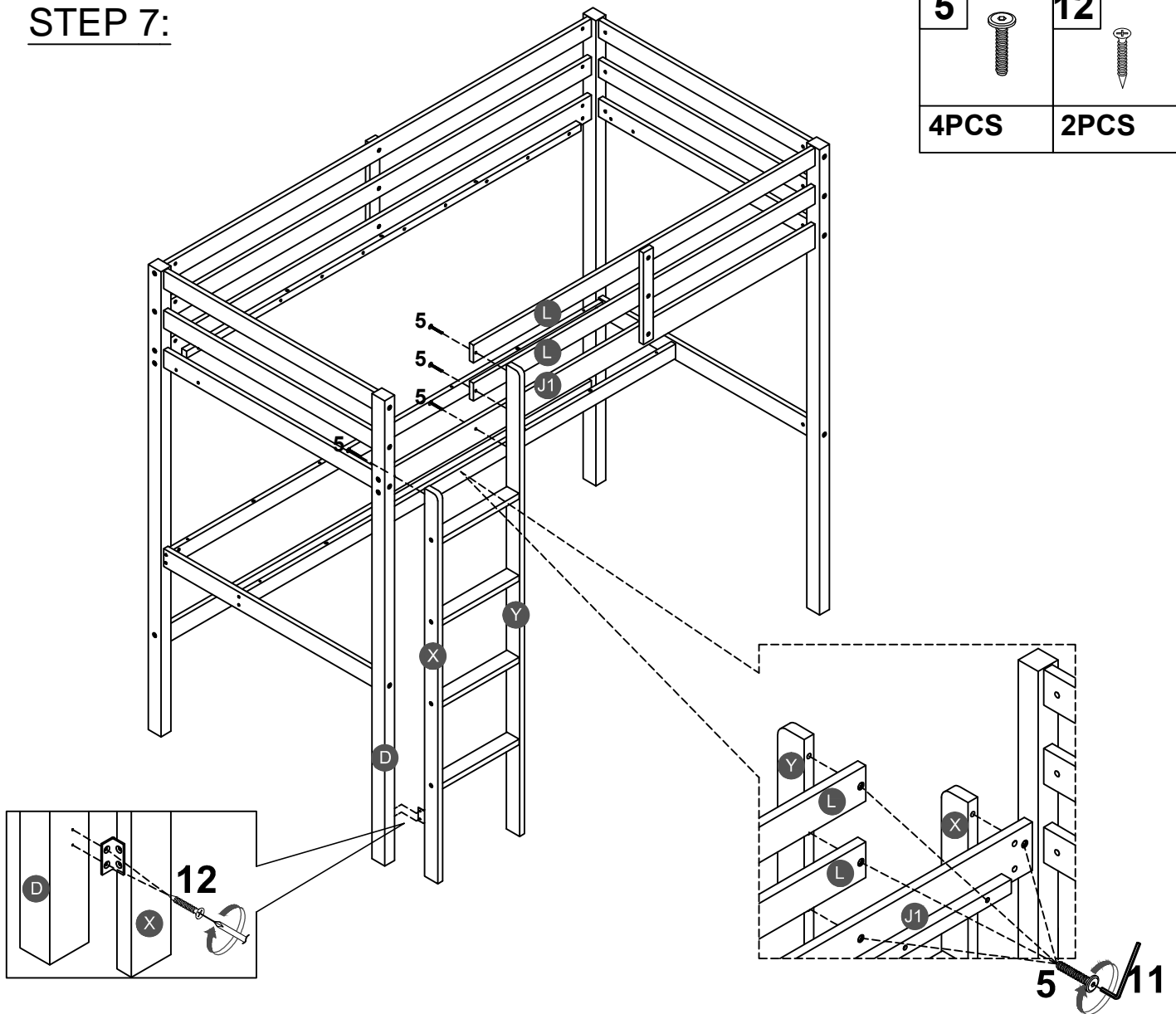
STEP 6:

4		7		9		12	
8PCS		8PCS		1PC		2PCS	

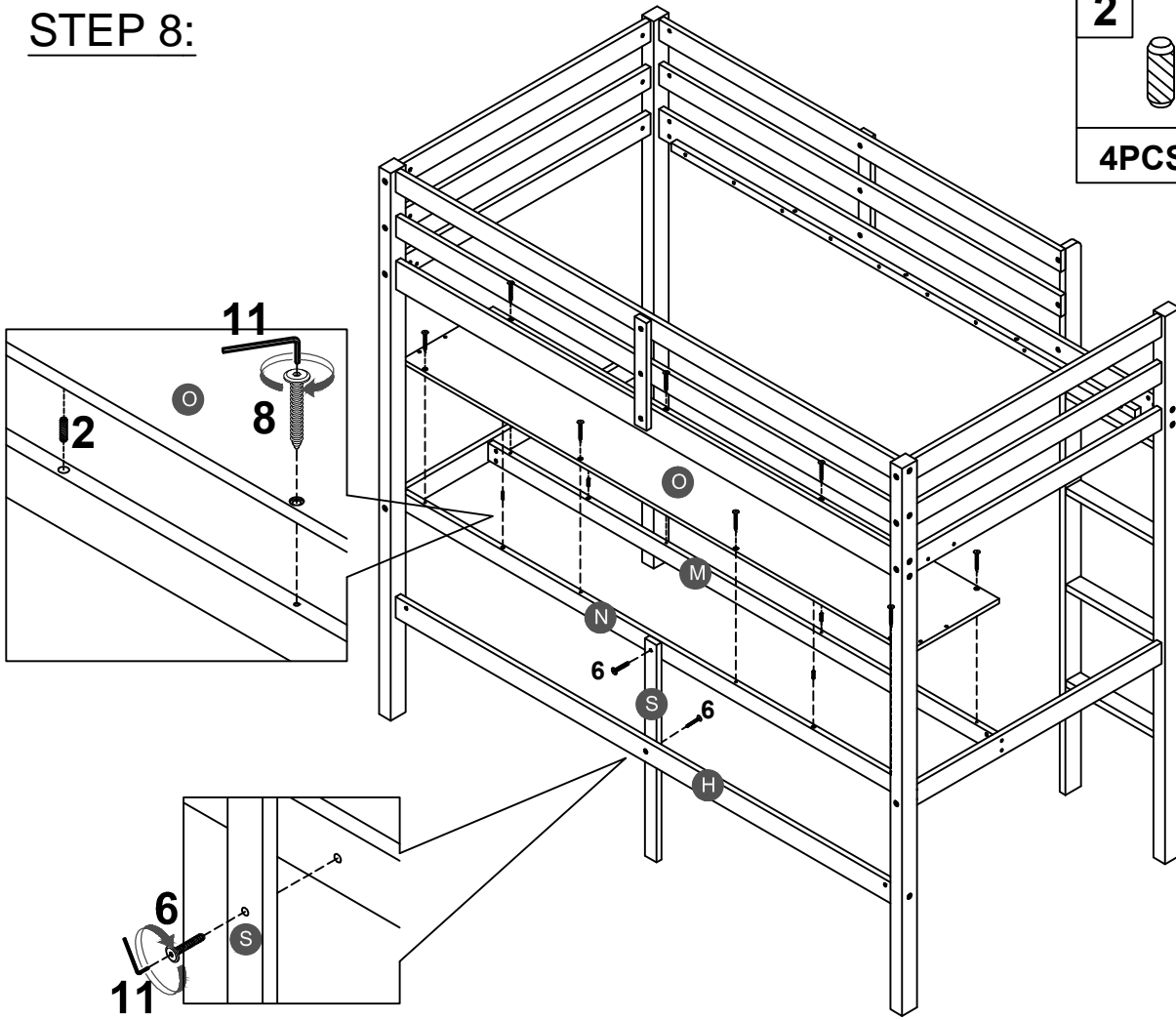


STEP 7:

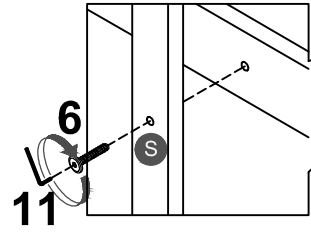
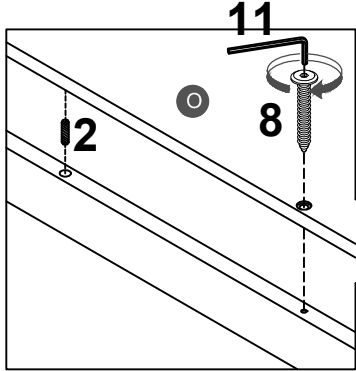
5		12	
4PCS		2PCS	



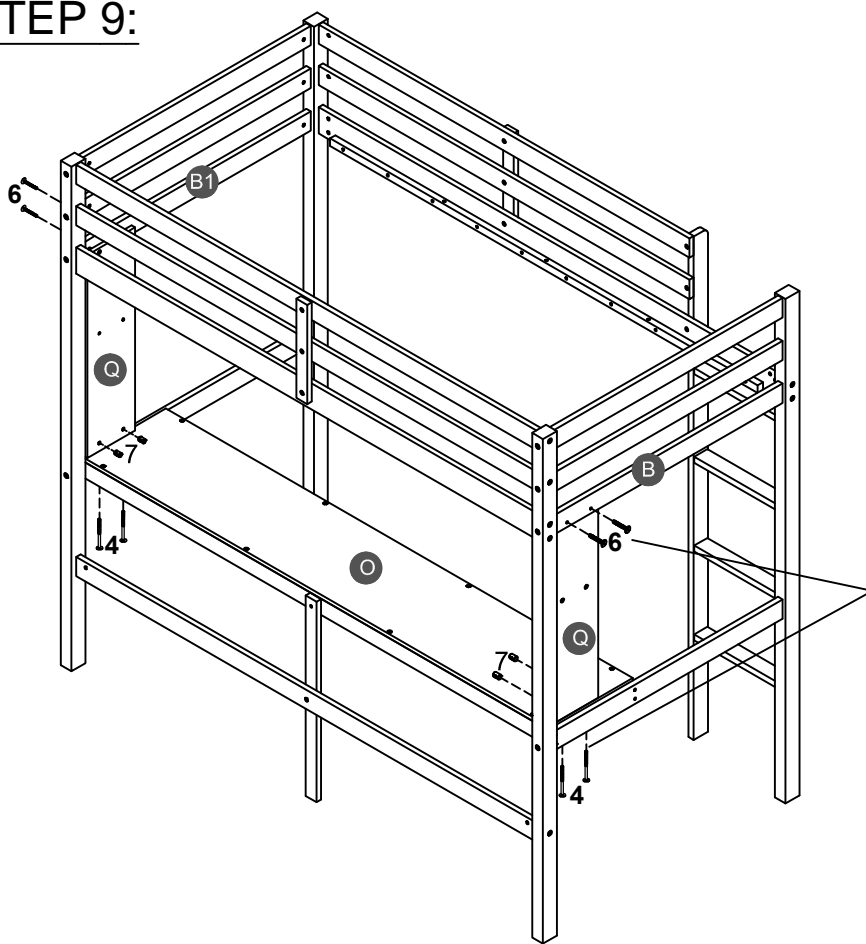
STEP 8:



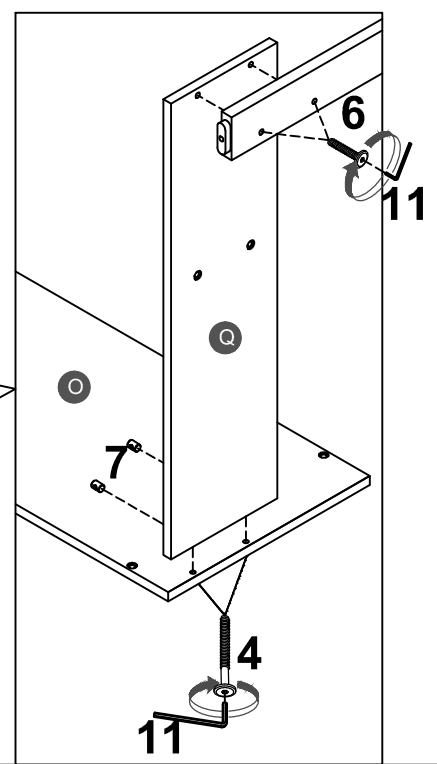
2		6	
4PCS		2PCS	
		8	
		8PCS	



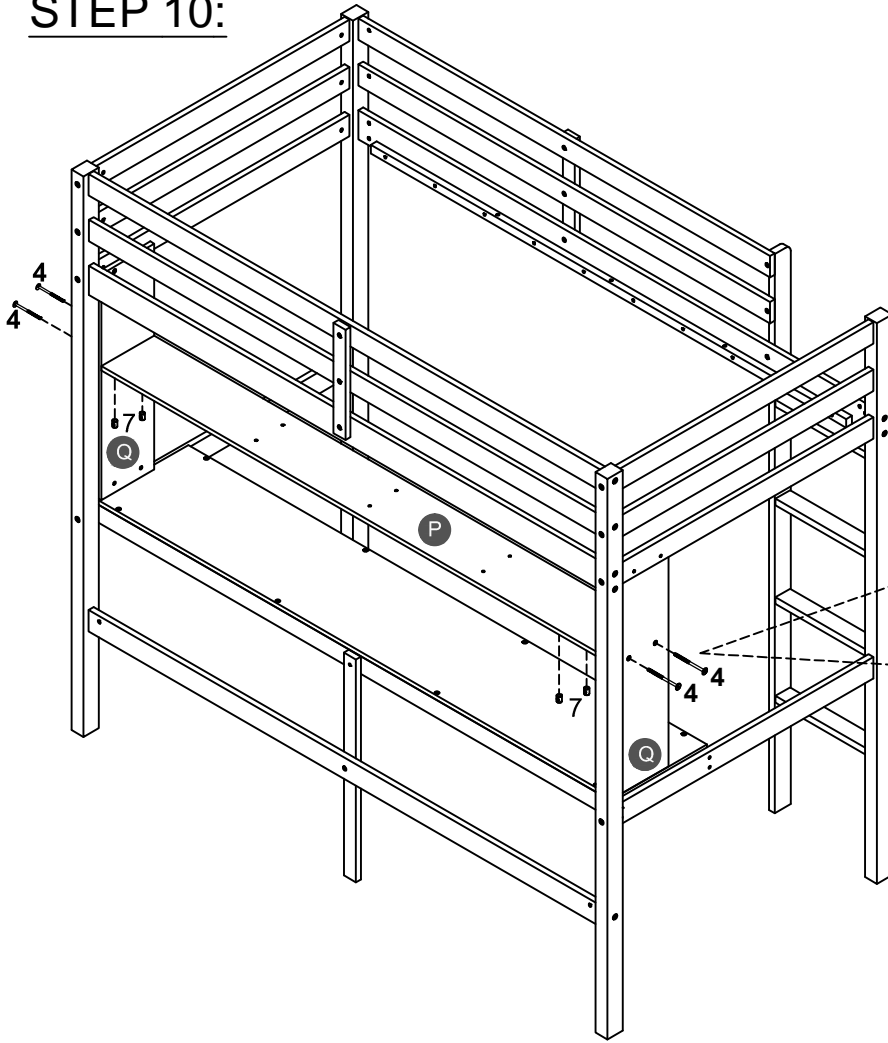
STEP 9:





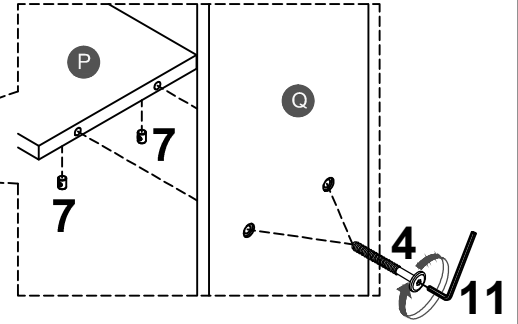
4		6		7	
4PCS		4PCS		4PCS	



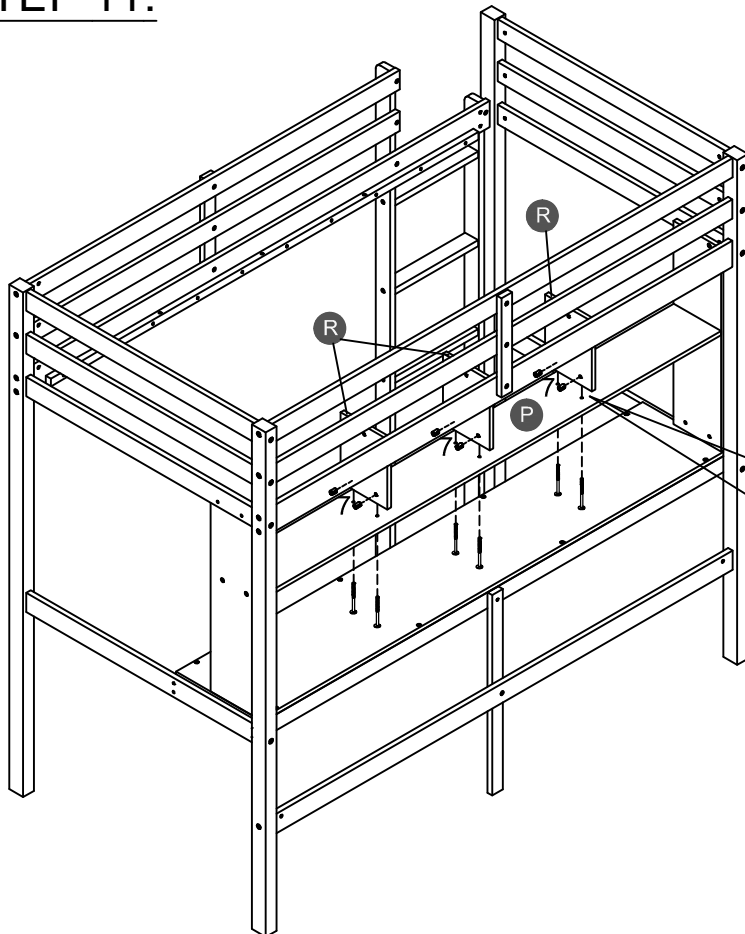
STEP 10:





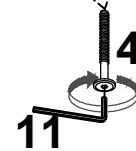
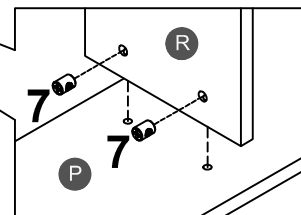
4		7	
4PCS		4PCS	



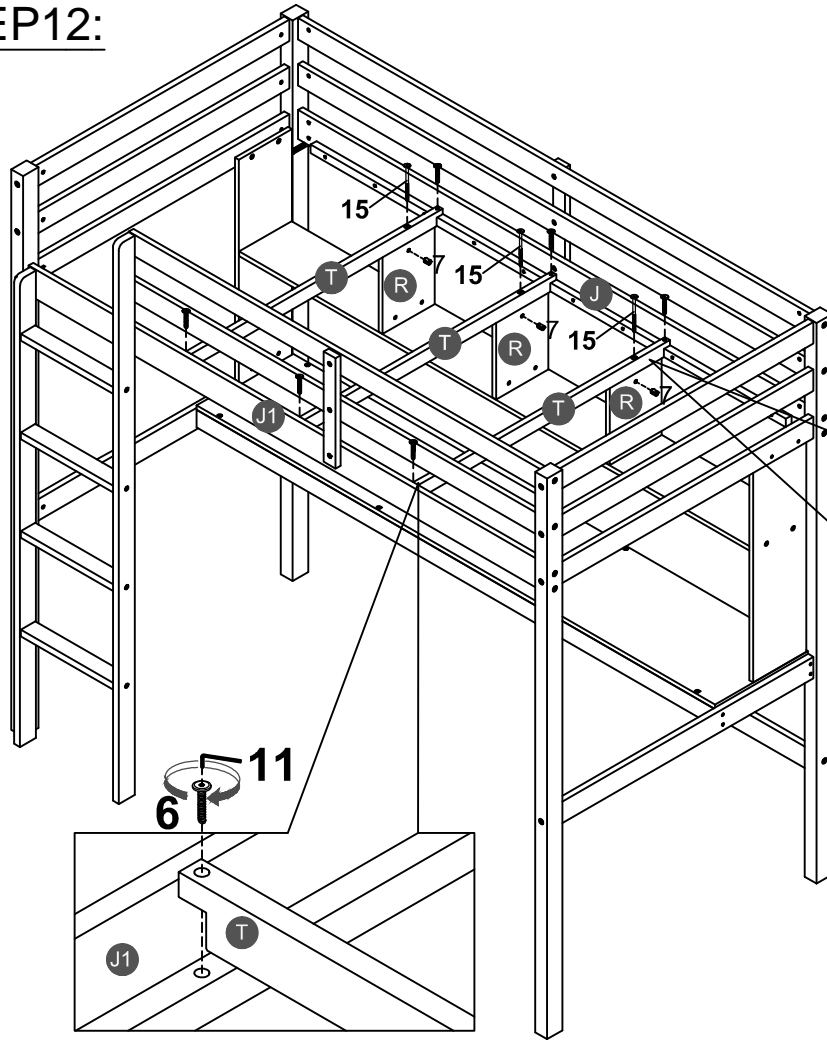
STEP 11:






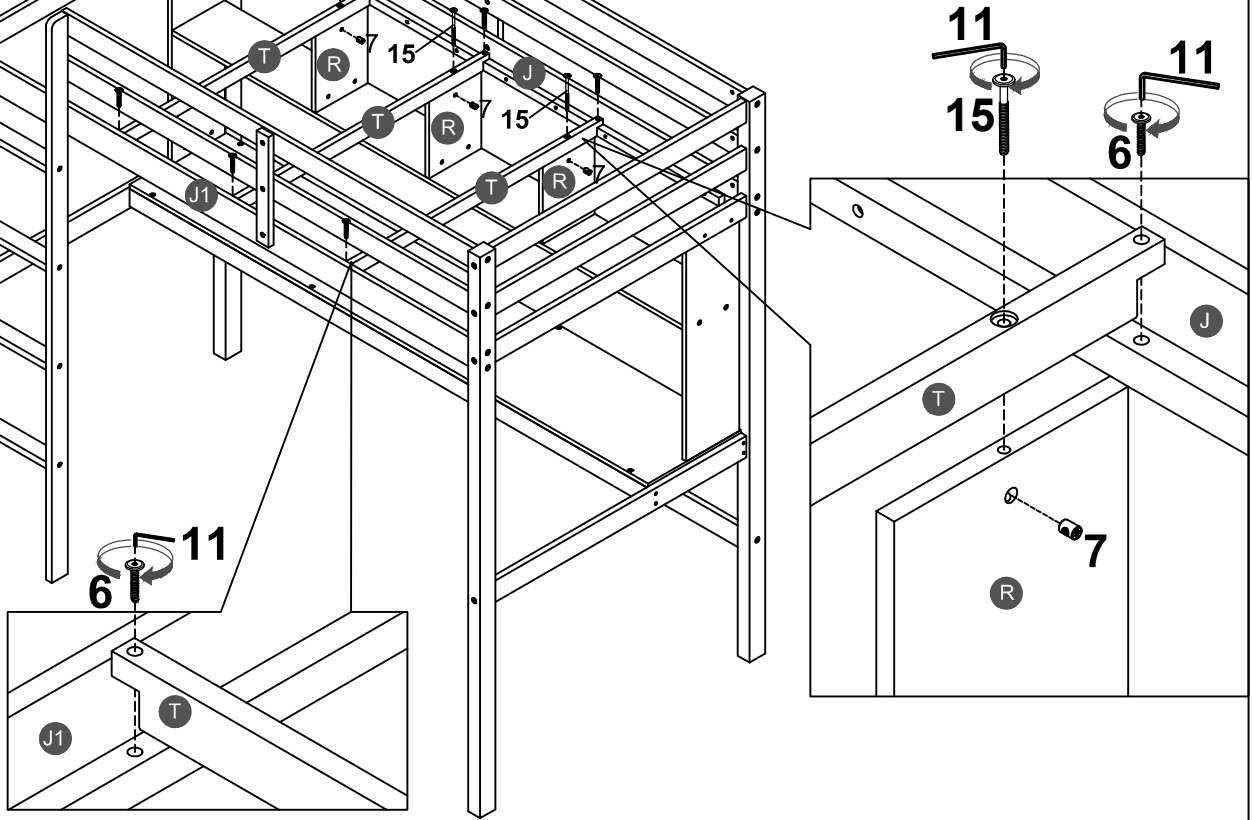
4		7	
6PCS		6PCS	



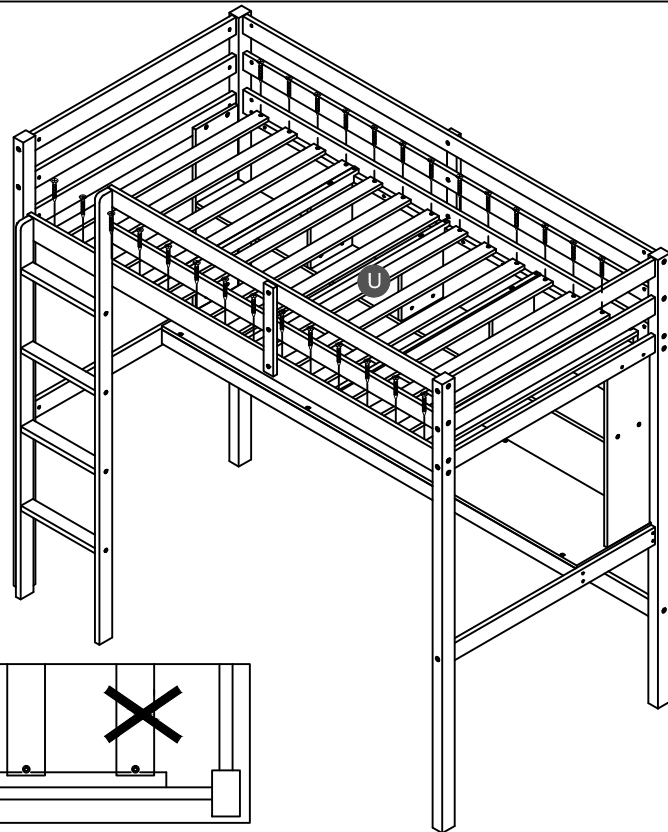
STEP 12:




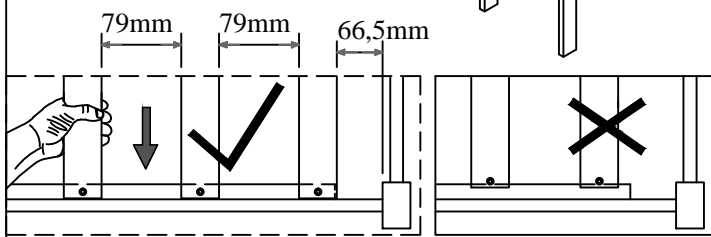
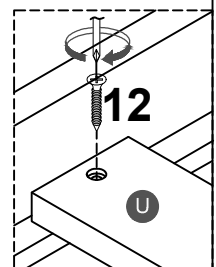
6		7		15	
6PCS		3PCS		3PCS	



STEP 13:


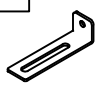


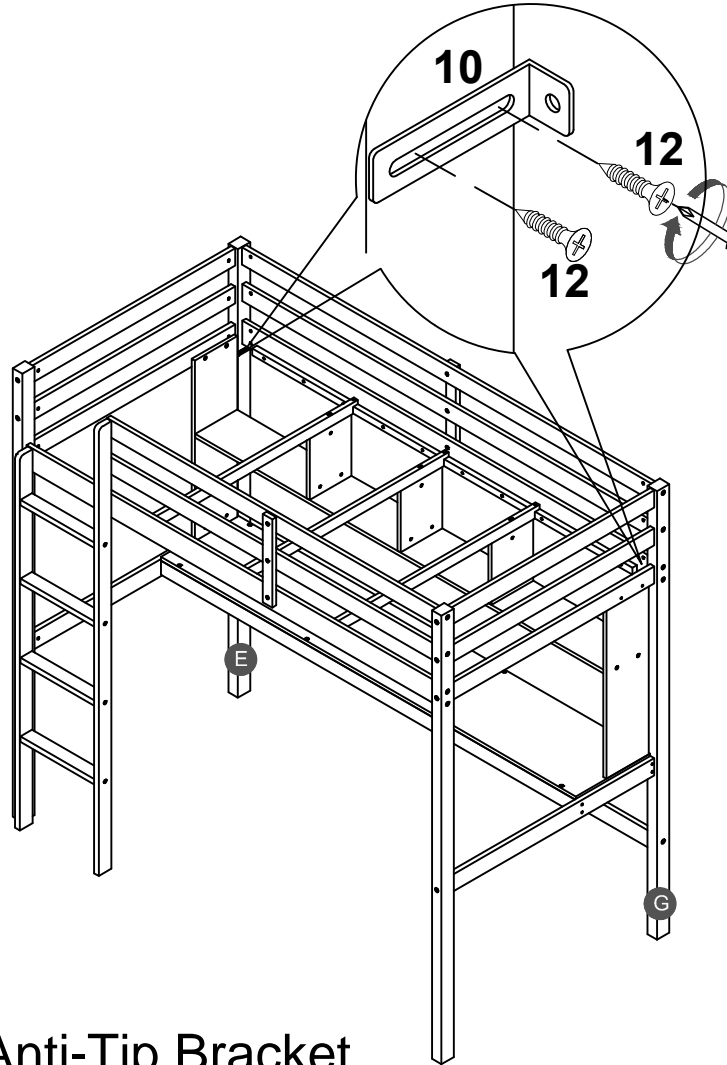
12	
28PCS	



Note: Do not lock the screws of the bed slats to the outermost edge of the bed slats, you need to leave a certain space at the edges, otherwise it will cause the board to break. Do not lock the bed slats on the edge of the wood, please hold firmly before screwing, hold it in place with one hand, then lock the screw.

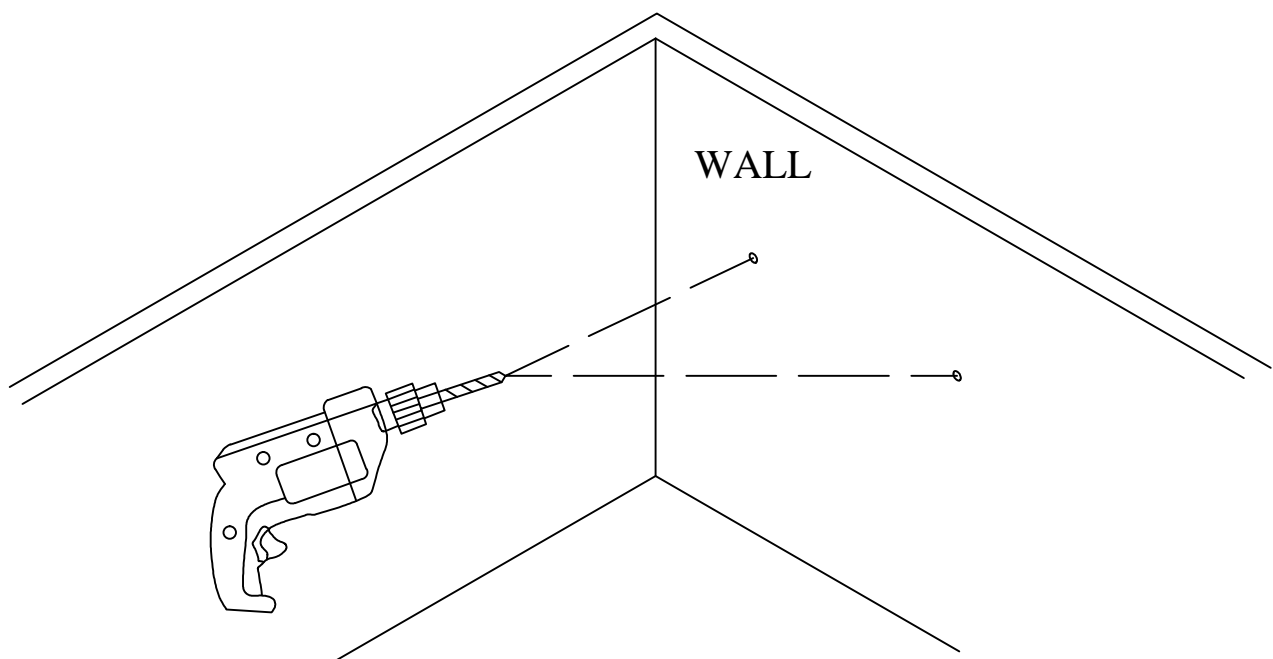
STEP A:

12	10
	
4PCS	2PCS



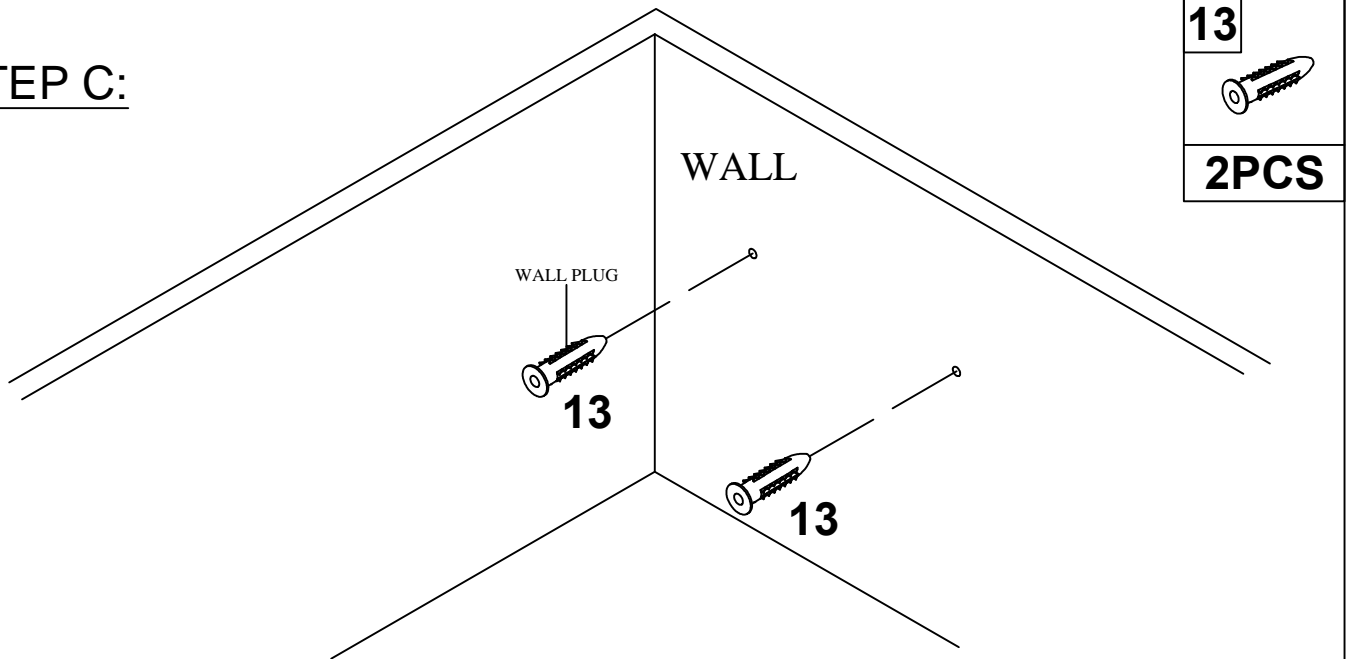
Installing the Anti-Tip Bracket.

STEP B:



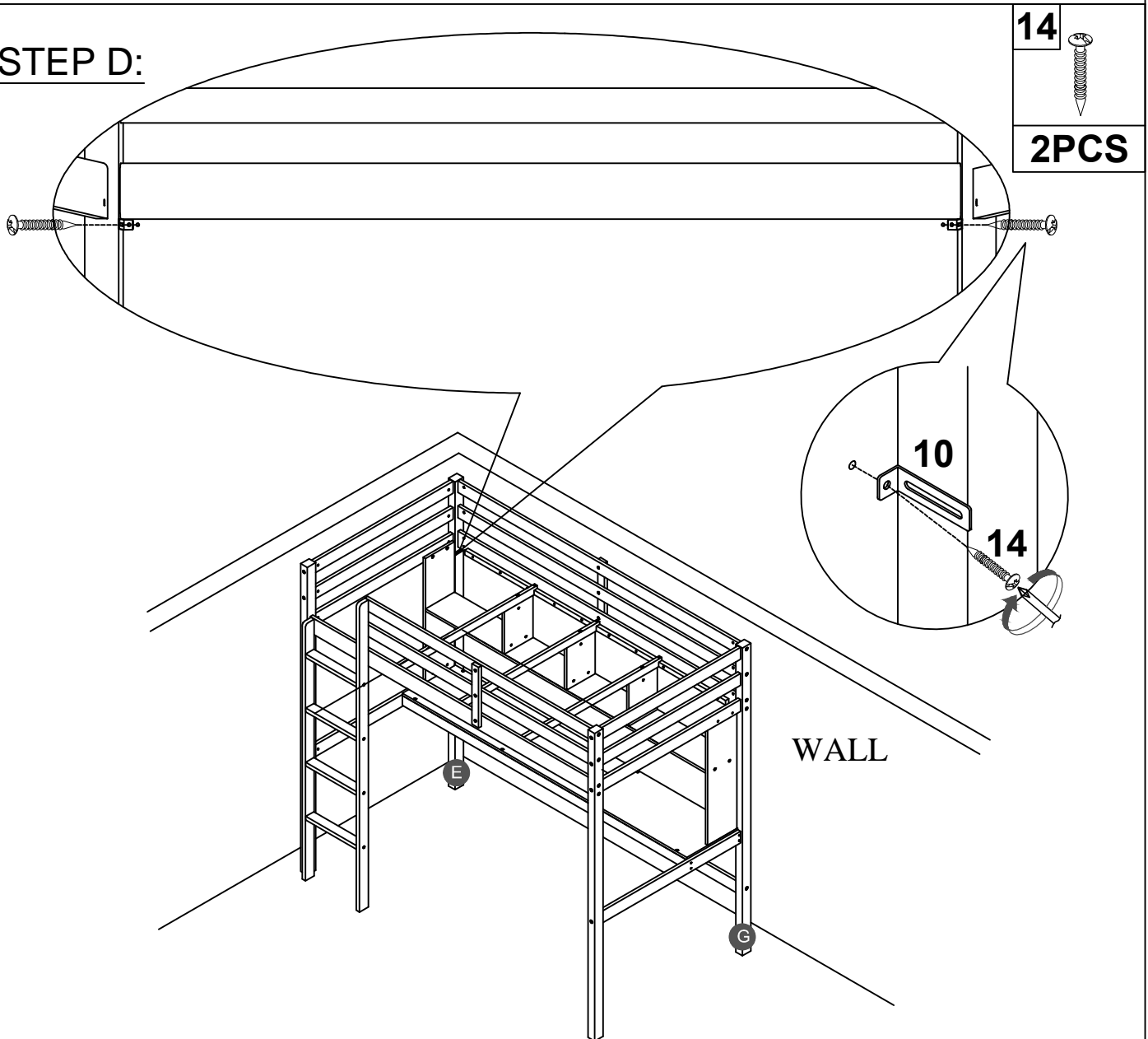
Drill holes in the wall.

STEP C:



To drive plastic anchor into the wall.

STEP D:



Fix the bracket to the wall with screw.