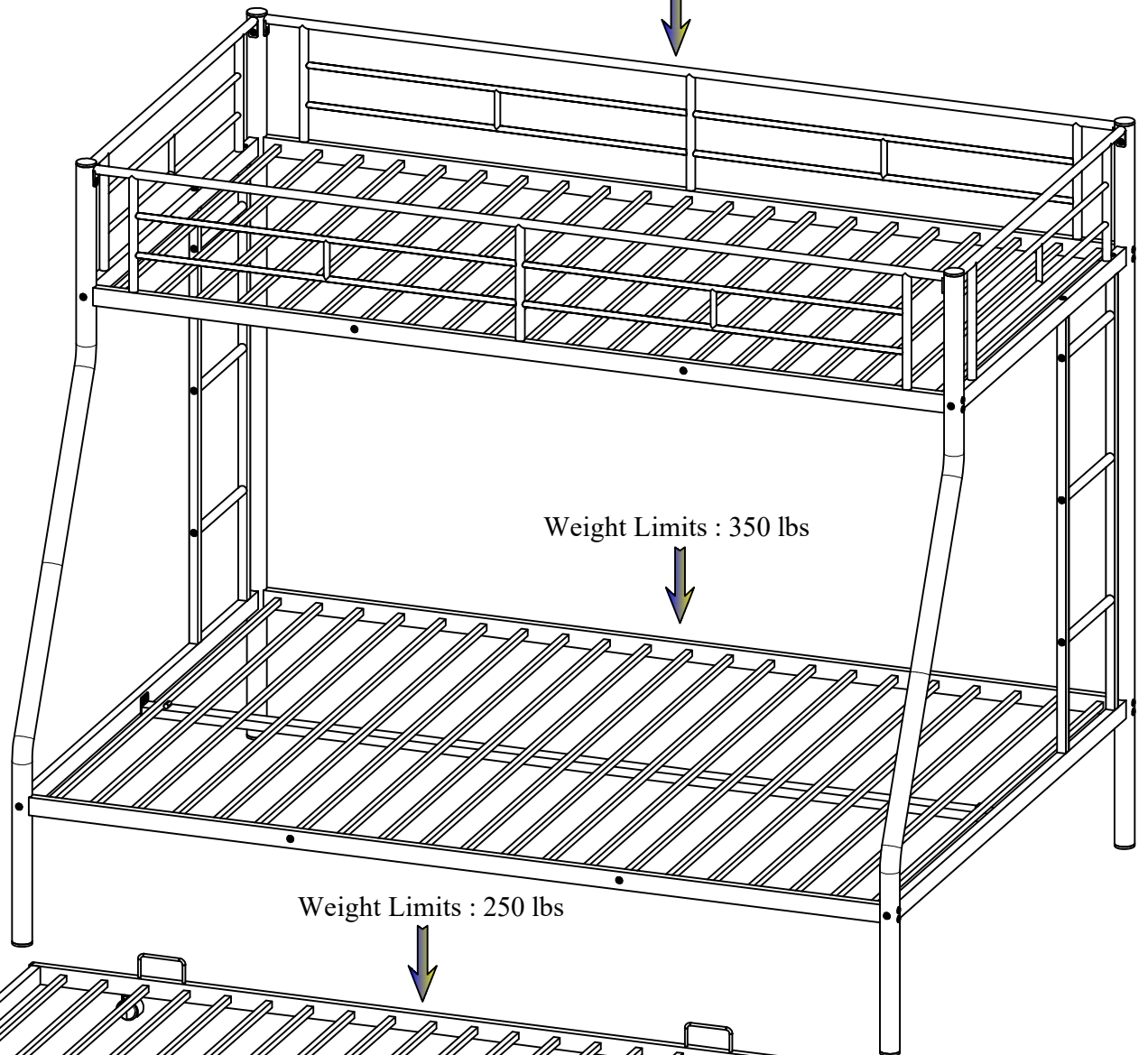


BUNK BED WITH TRUNDLE  
ASSEMBLY INSTRUCTIONS  
SKU: MF 286667

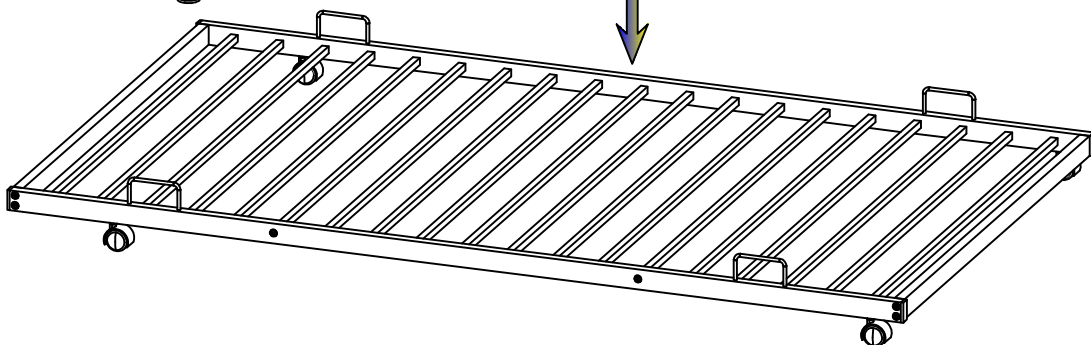
Weight Limits : 250 lbs



Weight Limits : 350 lbs



Weight Limits : 250 lbs



BUNK BED WITH TRUNDLE  
ASSEMBLY INSTRUCTIONS

**SAFETY WARNINGS AND GENERAL NOTES :**

1. Follow the information on the warnings on the bunk bed end structure and on the carton. Do not remove the warning label from the bed.
2. Always use the recommended size mattress on mattress support, or both, to help prevent the likelihood of entrapment or falls.
3. Do not allow children under 6 years of age to use the upper bunk.
4. Periodically check and ensure the guardrail, ladder and other components are in their proper position, free from damage, and all connectors are tight.
5. Do not allow horseplay on or under beds.
6. Always prohibit jumping on the bed.
7. Prohibit more than one person on upper bunk.
8. Always use the ladder for entering and leaving the upper bunk.
9. Do not use substitute parts. Contact the manufacturer or dealer for replacement parts.
10. Use of a night-tight may provide added safety precaution for a child using the upper bunk.
11. Always use guardrails on both long sides of the upper bunk.
12. If the bunk bed will be placed next to a wall, the guardrail that runs the full length of the bed should be placed against the wall to prevent entrapment between the bed and the wall.  
The use of water or sleep flotation mattresses is prohibited.
13. **STRANGULATION HAZARD-** Never attach or hang items to any part of the bunk bed that are not designed for use with the bed; for example, but not limited to, hook, belts and jump ropes.
14. Keep these instructions for future reference.
15. We recommend assembling your bunk bed on the shipping carton to protect your floor or carpet.
16. Be certain all staples are out of the box before beginning assembly on the shipping carton.
17. **USE ONLY MATTRESSES WHICH ARE AS THE TABLE BELOW ON UPPER AND ON LOWER BUNKS.**

**Upper bunk (bunk bed and tribed included)**

<u>Bed type</u>	<u>Length</u>	<u>Width</u>	<u>Thickness</u>
Twin Standard	74" - 75"	38 ½"	6" max

**Lower bunk**

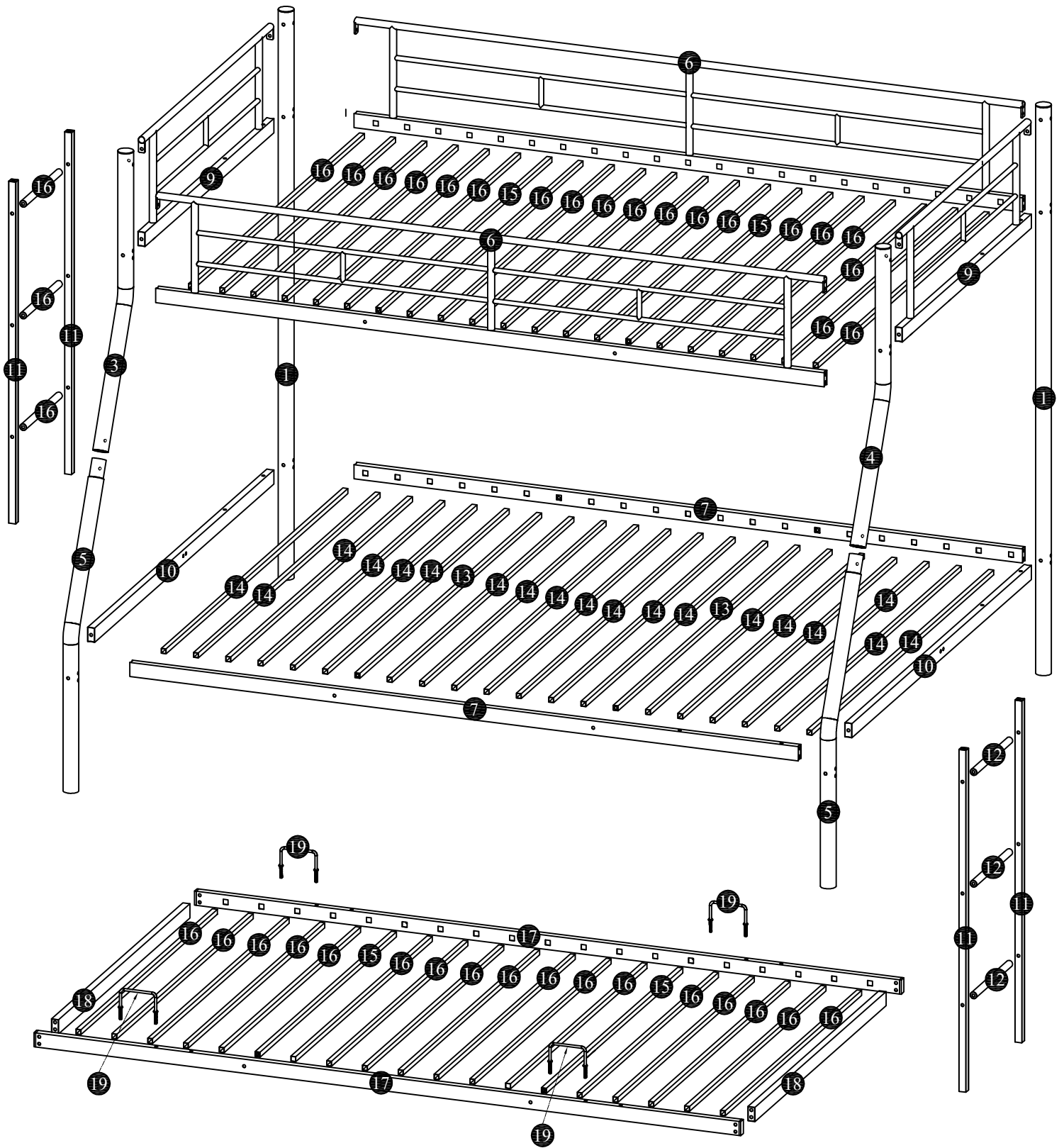
<u>Bed type</u>	<u>Length</u>	<u>Width</u>	<u>Thickness</u>
Full Standard	74" - 75"	53" - 54"	8"

18. **SURFACE OF MATTRESS MUST BE AT LEAST 5" (127MM) BELOW THE UPPER EDGE OF GUARDRAILS.**

19. **Replacement Parts:**

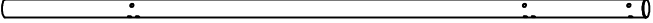
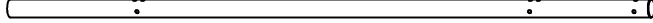


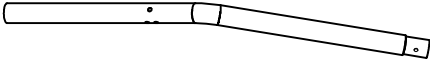
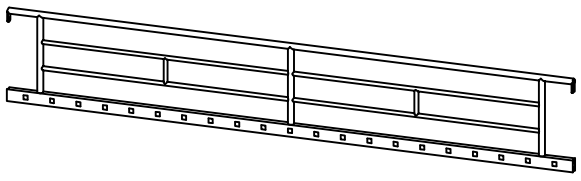
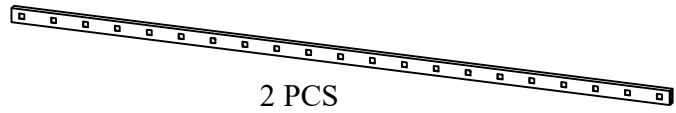

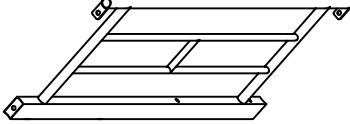
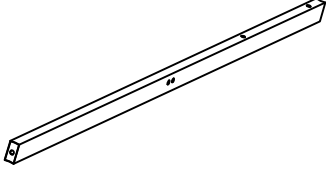
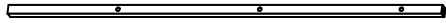




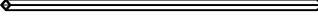
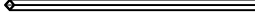
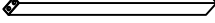

Replacement Parts, including additional guardrails, may be obtained from any of our (GIGACLOUD TECHNOLOGY(USA) INC. 18961 ARENTH AVENUE, CITY OF INDUSTRY, CA, 91748) dealers

BUNK BED WITH TRUNDLE  
ASSEMBLY INSTRUCTIONS











BUNK BED WITH TRUNDLE  
ASSEMBLY INSTRUCTIONS

PART LIST

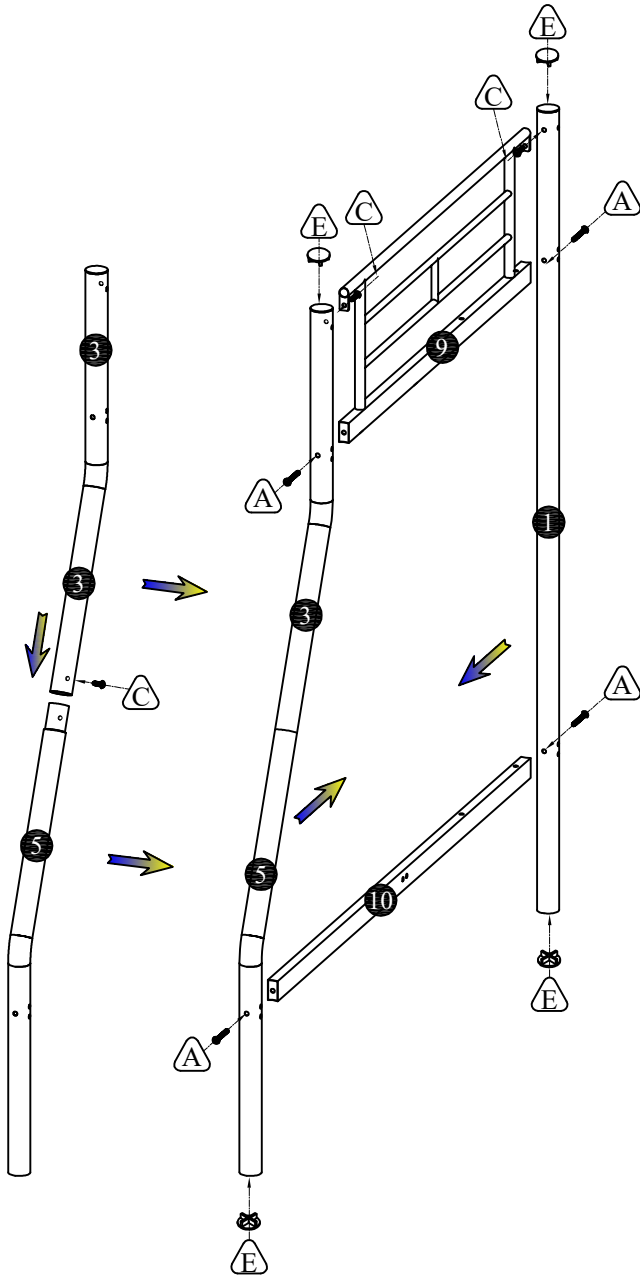
 1 PC	 1 PC	
 1 PC	 1 PC	 2 PCS
 2 PCS	 2 PCS  1 PC	
 2 PCS	 2 PCS	 4 PCS  6 PCS
 2 PCS	 4 PCS	 2 PCS
 19 PCS	 36 PCS	 2 PCS  4 PCS

HARDWARE LIST

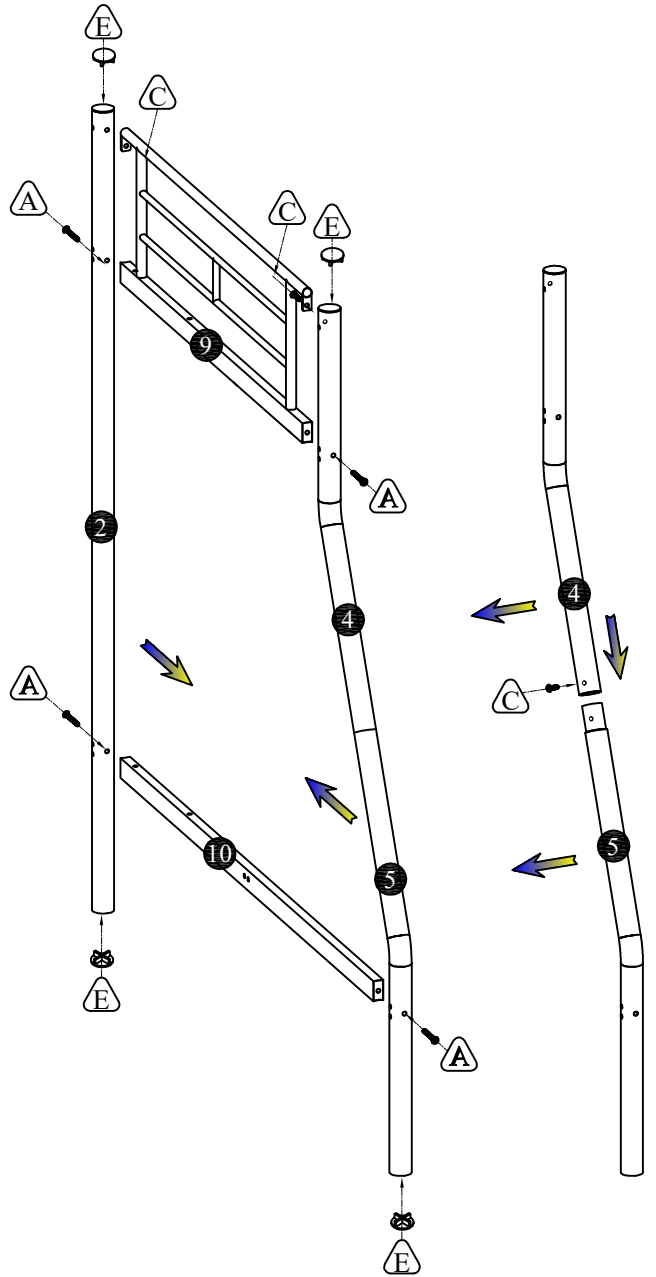
 1/4"*60 32 PCS	 1/4"*40 20 PCS	 1/4"*12 26 PCS	 1/4"x5 8 PCS	 Ø42x10 8 PCS	 4x60 2 PCS	 1/4"*60=4 PCS (2 no lock, 2 lock)	 10*60 1 PC
---	--	--	--	--	--	---	--


BUNK BED WITH TRUNDLE  
ASSEMBLY INSTRUCTIONS

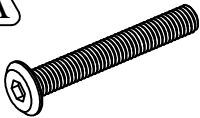
STEP 1

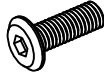


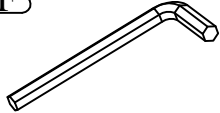
STEP 2



**E**   
Ø42x10  
8 PCS

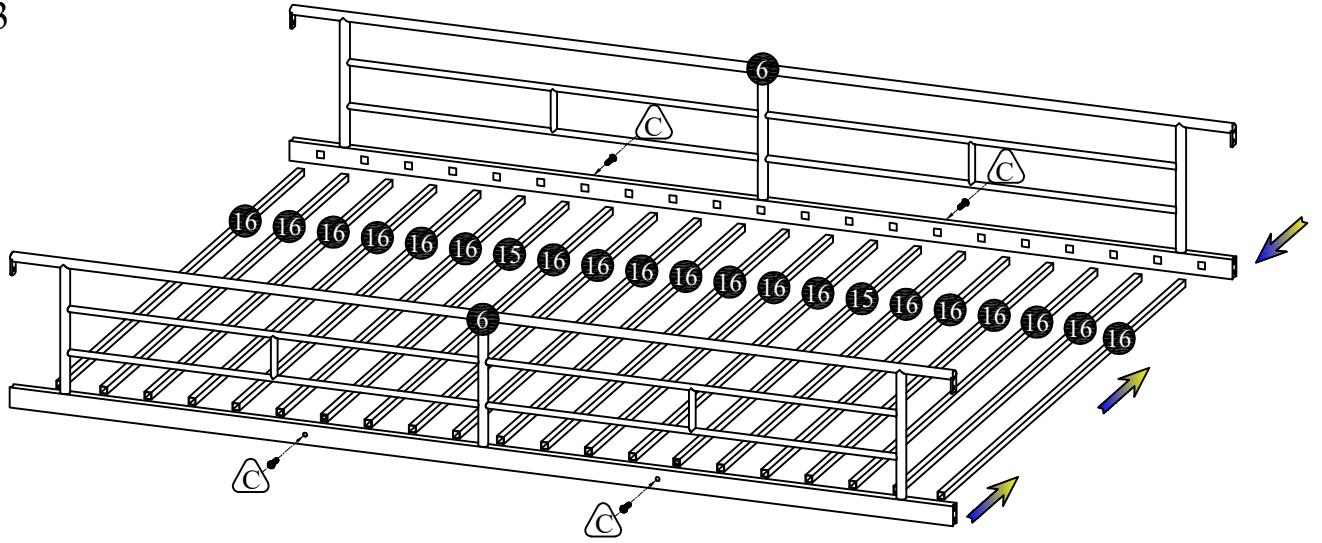
**A**   
1/4"\*60  
8 PCS

**C**   
1/4"\*12  
6 PCS

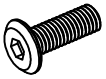
**F**   
4x60  
2 PCS

BUNK BED WITH TRUNDLE  
ASSEMBLY INSTRUCTIONS

STEP 3

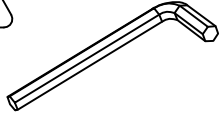


C



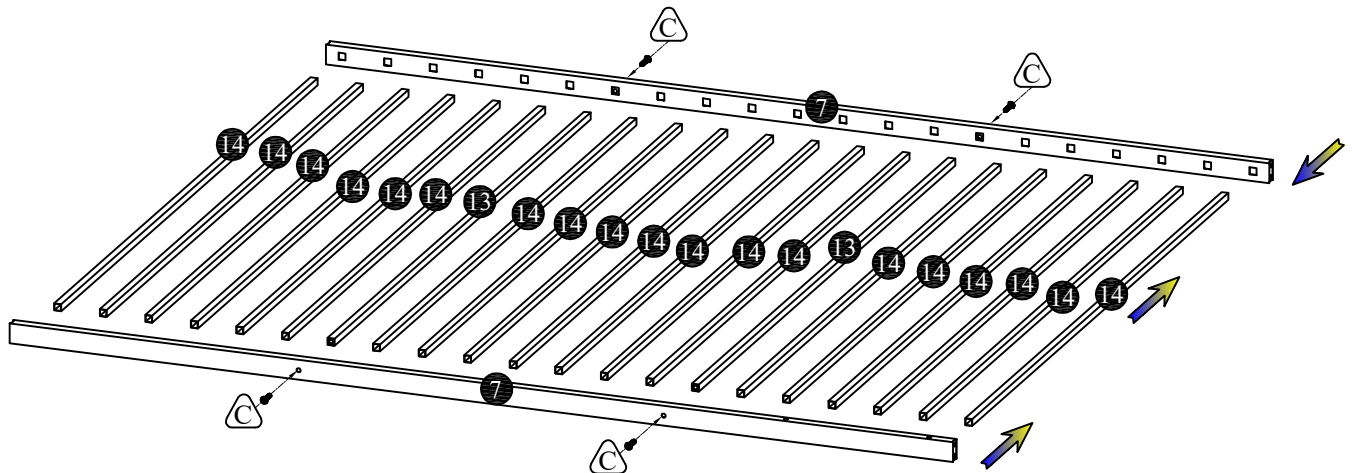
1/4"\*12  
4 PCS

F

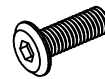


4x60  
2 PCS

STEP 4

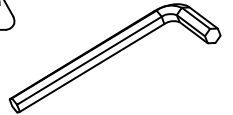


C



1/4"\*12  
4 PCS

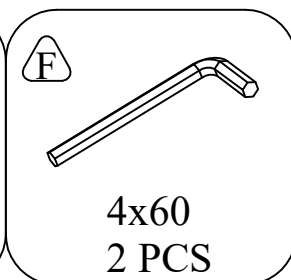
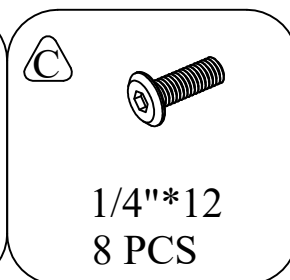
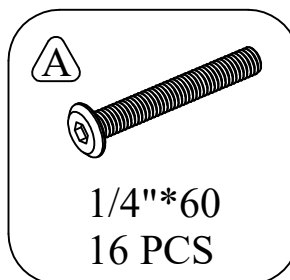
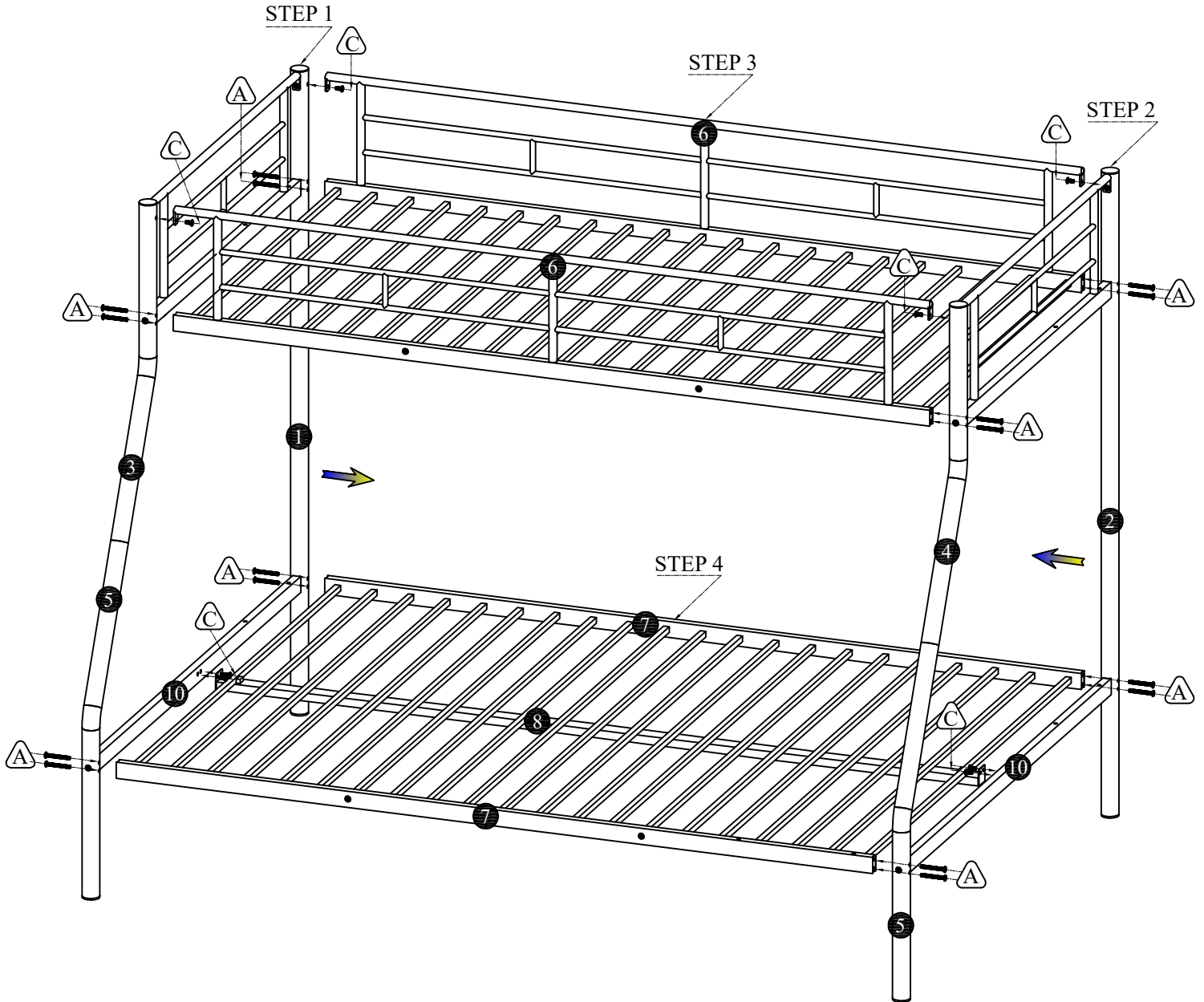
F



4x60  
2 PCS

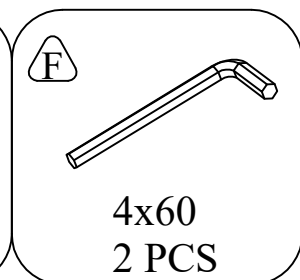
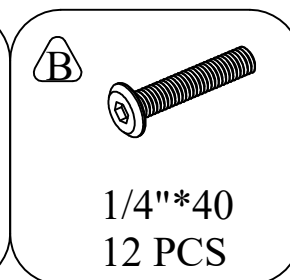
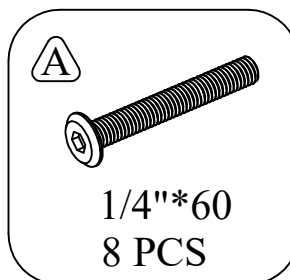
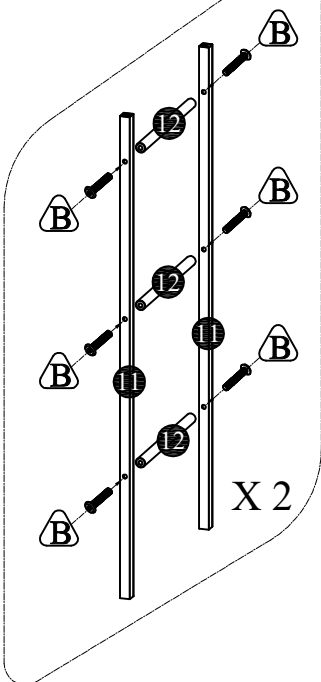
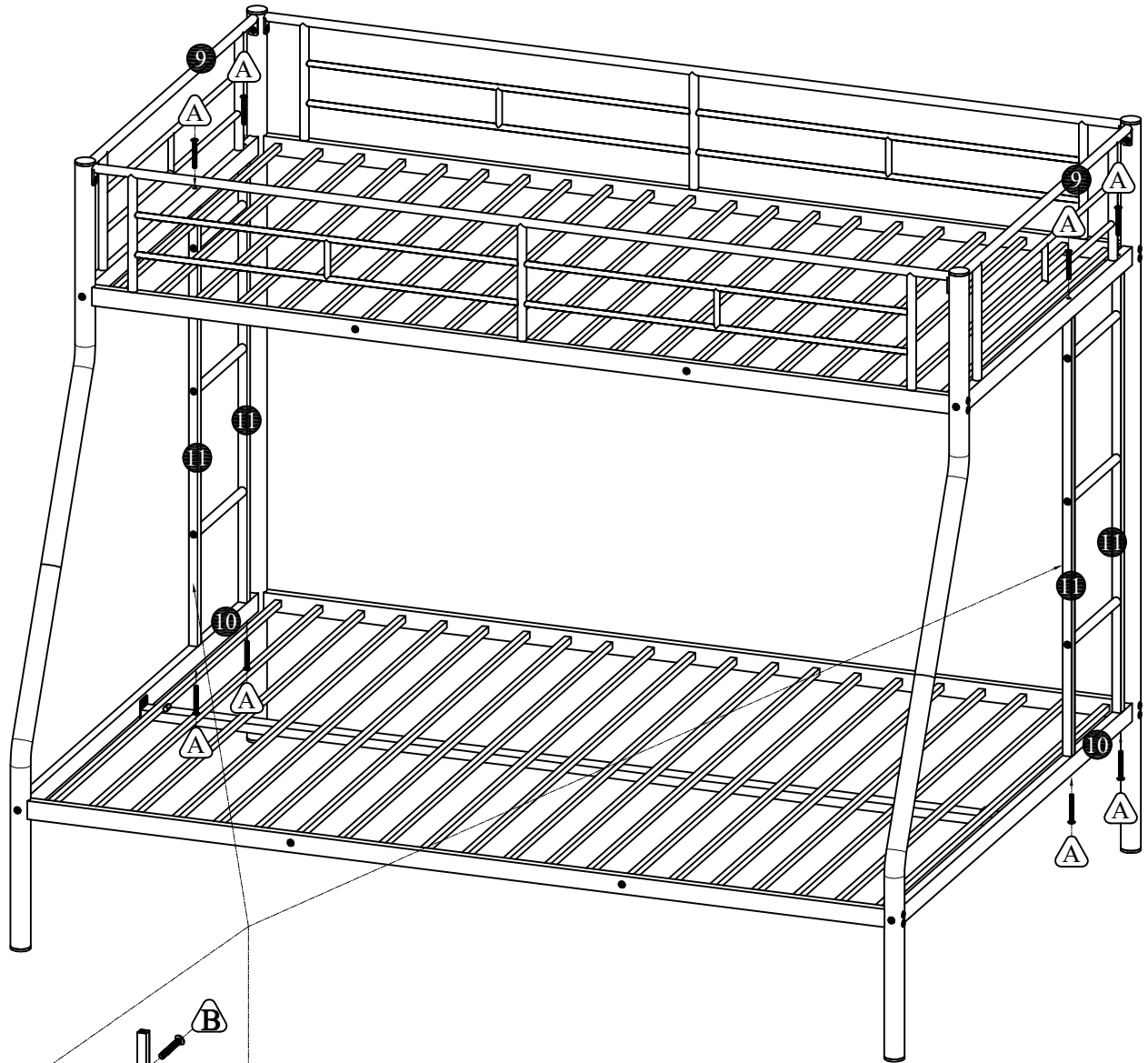
BUNK BED WITH TRUNDLE  
ASSEMBLY INSTRUCTIONS

STEP 5



BUNK BED WITH TRUNDLE  
ASSEMBLY INSTRUCTIONS

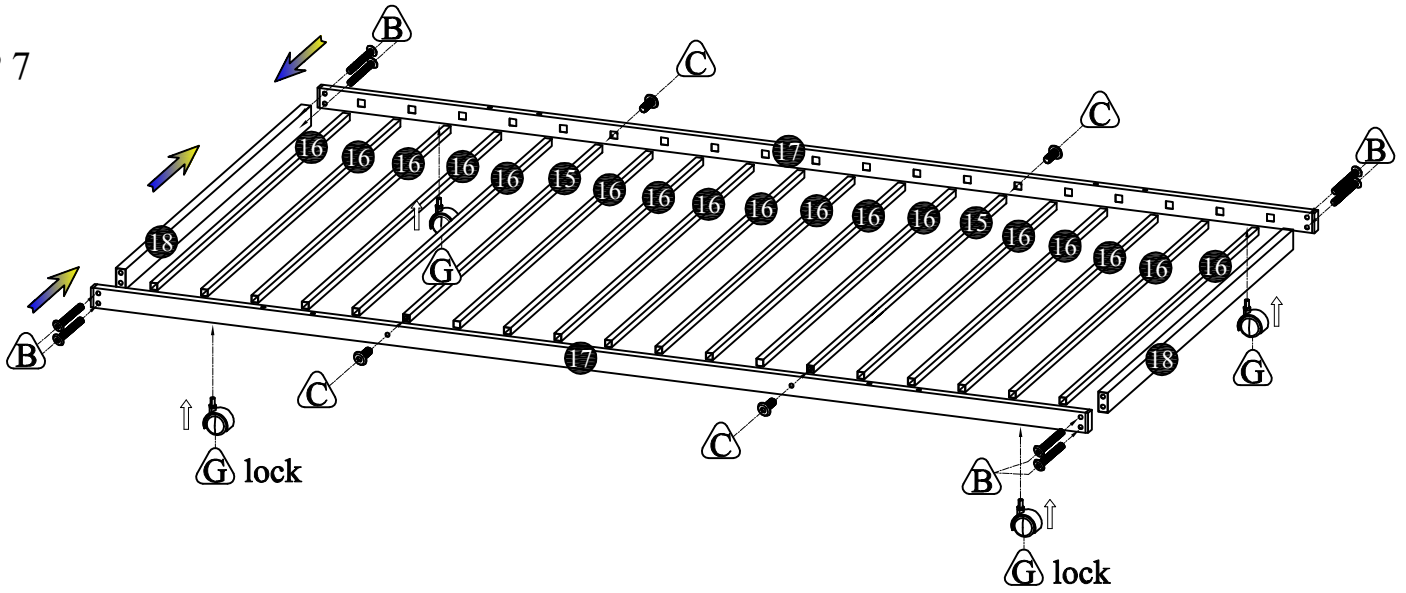
STEP 6


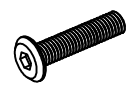
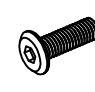
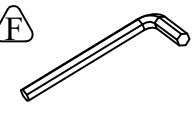




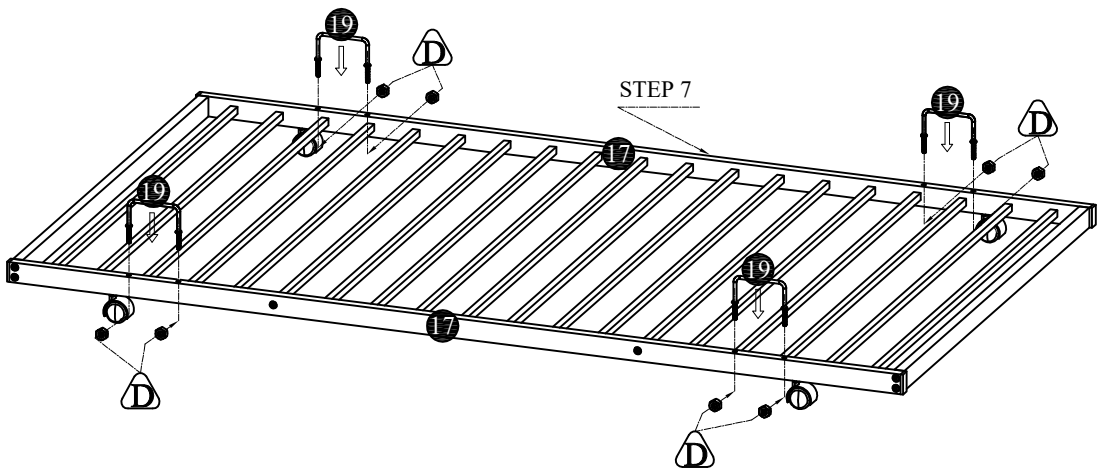
BUNK BED WITH TRUNDLE  
ASSEMBLY INSTRUCTIONS


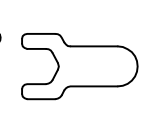
STEP 7



 $\frac{1}{4}'' \times 60 = 4$ PCS (2 no lock, 2 lock)	 $\frac{1}{4}'' \times 40$ 8 PCS	 $\frac{1}{4}'' \times 12$ 4 PCS	 4x60 2 PCS
--	---	--	---

STEP 8



 $\frac{1}{4}'' \times 5$ 8 PCS	 10*60 1 PC
--	--