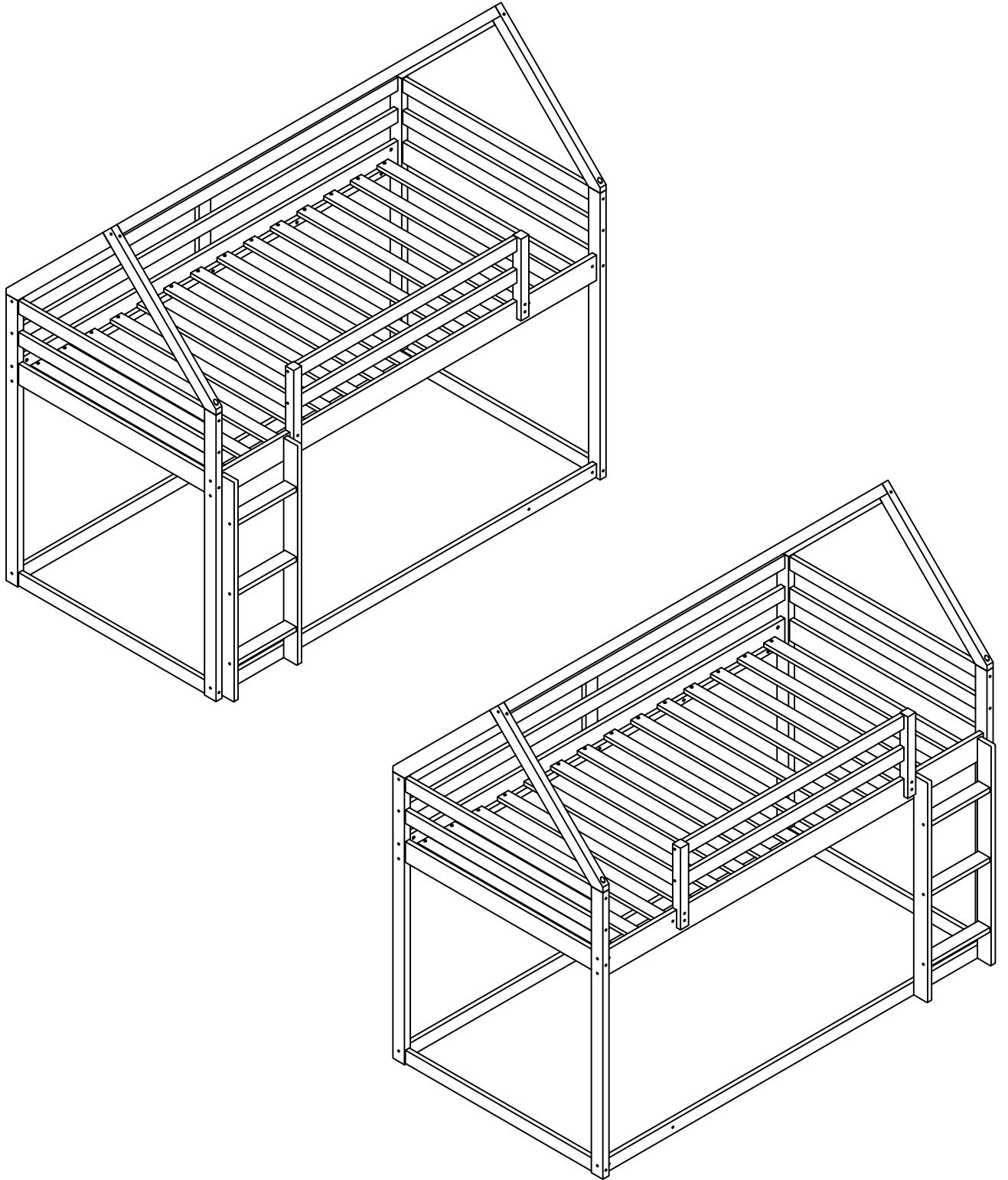


ASSEMBLY INSTRUCTIONS

TWIN HOUSE LOFT BED



WF285733

ASSEMBLY INSTRUCTIONS

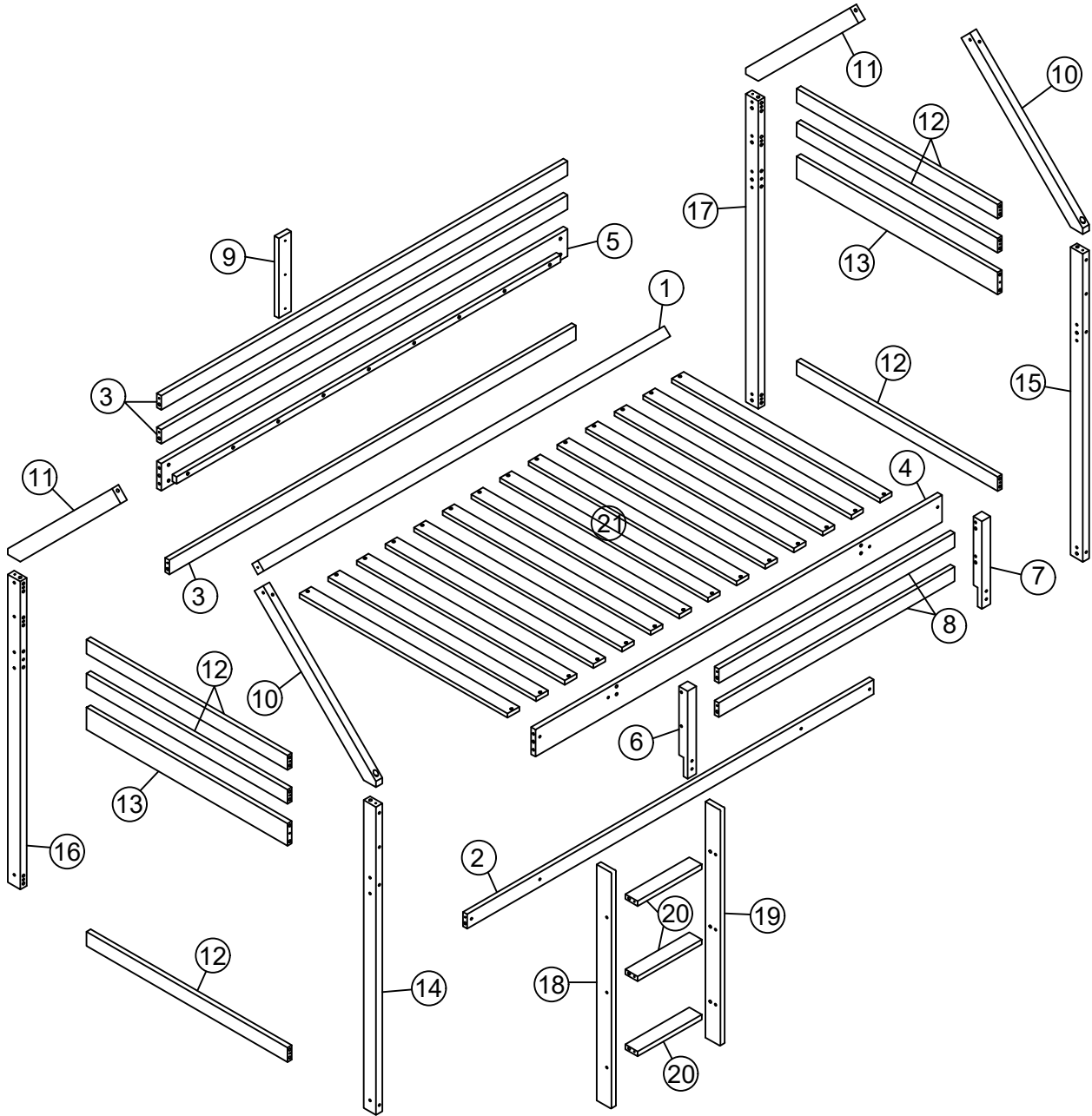
SAFETY WARNINGS AND GENERAL NOTES:

- Follow the information on the warnings on the bunk bed end structure and on the carton. Do not remove the warning label from the bed. Always use the recommended size mattress on mattress support, or both, to help prevent the likelihood of entrapment or falls.
- The top surface of the mattress must be at least 5*inch (127mm) below the upper edge of the guardrail.
- Do not allow children under 6 years of age to use the upper bunk.
- Periodically check and ensure the guardrail, ladder and other components are in their proper position, free from damage, and all connectors are tight.
- Do not allow horseplay on or under beds.
- Always prohibit jumping on the bed.
- Prohibit more than one person on upper bunk.
- Always use the ladder for entering and leaving the upper bunk.
- Do not use substitute parts. Contact the manufacturer or dealer for replacement parts.
- Use of a night-tight may provide added safety precaution for a child using the upper bunk.
- Always use guardrails on both long sides of the upper bunk.
- If the loft bed will be placed next to a wall, the guardrail that runs the full length of the bed should be placed against the wall to prevent entrapment between the bed and the wall.
- The use of water or sleep flotation mattresses is prohibited.

STRANGULATION HAZARD-Never attach or hang items to any part of the bunk bed that are not designed for use with the bed.

- Keep these instructions for future reference.
- We recommend assembling your loft bed on the shipping carton to protect your floor or carpet.
- Be certain all staples are out of the box before beginning assembly on the shipping carton.
- USE ONLY MATTRESSES WHICH ARE 74"-75" LONG AND 37 1/2" - 38 1/2" WIDE ON UPPER AND ON LOWER BUNKS. ENSURE THICKNESS OF MATTRESS DOES NOT EXCEED 6".
- SURFACE OF MATTRESS MUST BE AT LEAST 5" (127MM) BELOW THE UPPER EDGE OF GUARDRAILS.
- Replacement Parts: Replacement Parts, including additional guardrails, may be obtained from any of our (COMPTREE INC.) dealers

ASSEMBLY INSTRUCTIONS



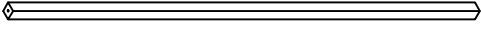
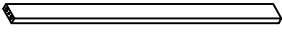
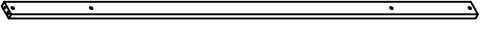
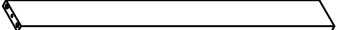
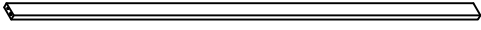
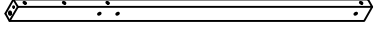

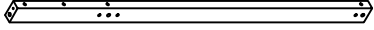

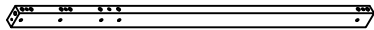
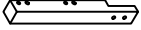
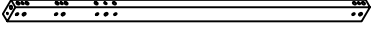
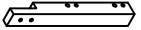

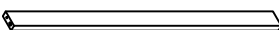
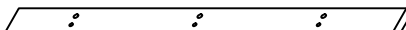
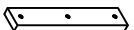
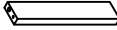
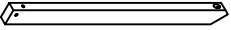
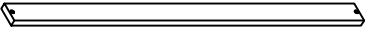
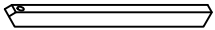
HARDWARE LIST (WF285733)

| | | | | | | | |
|----------|---------|--|-------|----------|--------|--|-------|
| A | Ø4x25 | | 28PCS | F | 6.5x50 | | 4PCS |
| B | Ø4x30 | | 3PCS | G | 1/4x75 | | 8PCS |
| C | 6.5x100 | | 18PCS | H | 1/4x35 | | 4PCS |
| D | 6.5x80 | | 14PCS | I | Ø10x40 | | 60PCS |
| E | 6.5x60 | | 10PCS | J | 4x58 | | 1PC |

ASSEMBLY INSTRUCTIONS

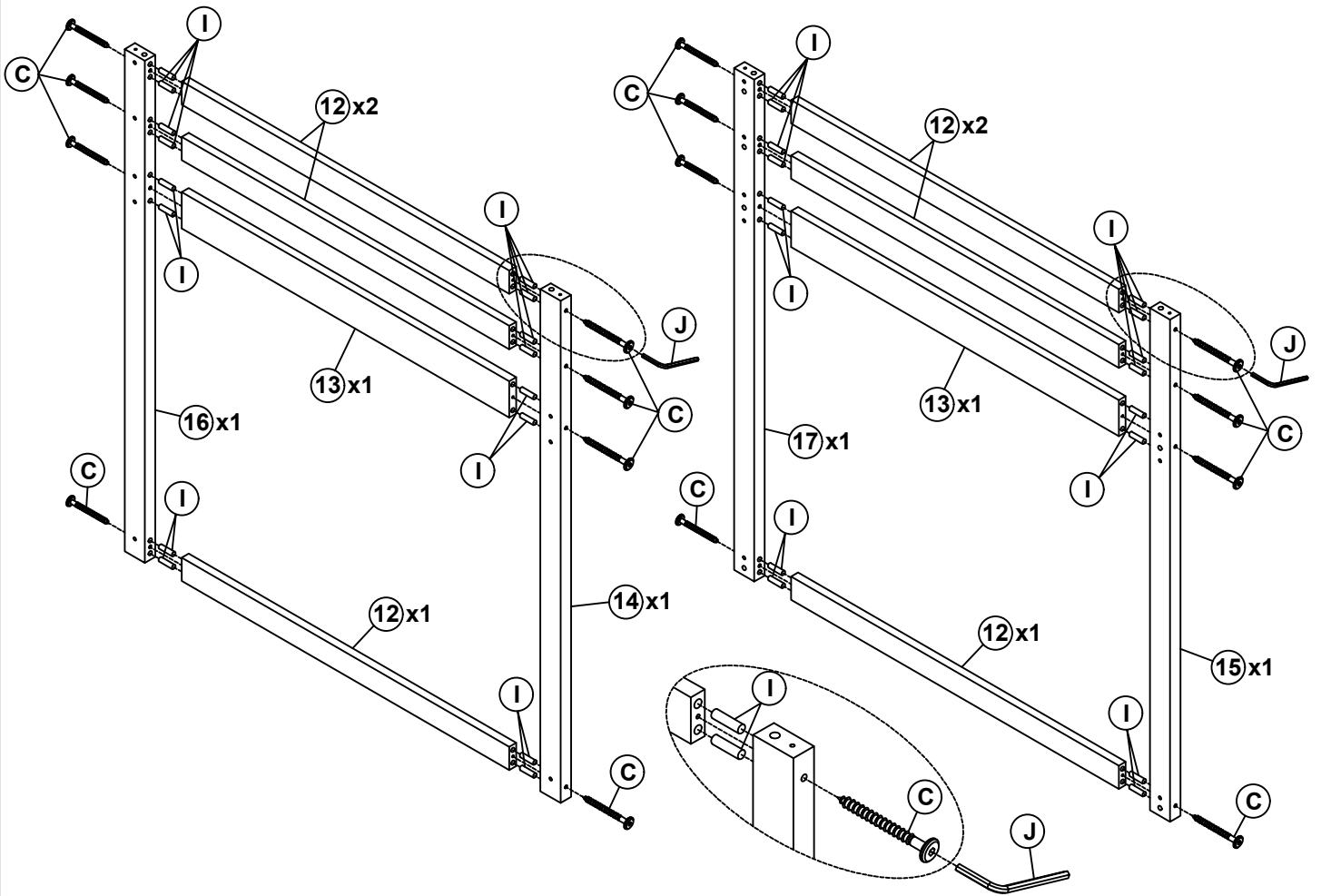
PARTS LIST



WF285733


| | | | | | |
|-----------|---|------|-----------|---|-------|
| 1 |  | 1pc | 12 |  | 6pcs |
| 2 |  | 1pc | 13 |  | 2pcs |
| 3 |  | 3pcs | 14 |  | 1pc |
| 4 |  | 1pc | 15 |  | 1pc |
| 5 |  | 1pc | 16 |  | 1pcs |
| 6 |  | 1pc | 17 |  | 1pcs |
| 7 |  | 1pc | 18 |  | 1pc |
| 8 |  | 2pcs | 19 |  | 1pc |
| 9 |  | 1pc | 20 |  | 3pcs |
| 10 |  | 2pcs | 21 |  | 14pcs |
| 11 |  | 2pcs | | | |

ASSEMBLY INSTRUCTIONS

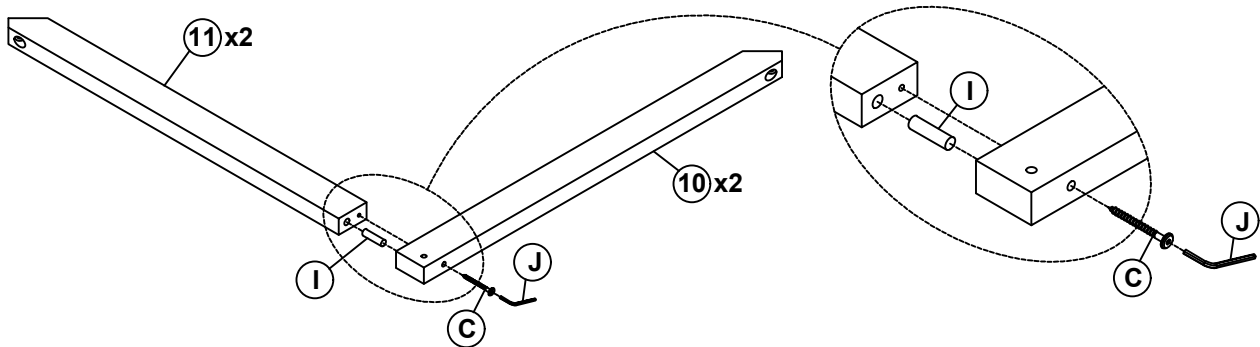
Step 1






| | | | |
|----------|--------|---|-------|
| J | 4x58 |  | 1PC |
| I | Ø10x40 |  | 32PCS |

| | | | |
|----------|---------|---|-------|
| C | 6.5x100 |  | 16PCS |
|----------|---------|---|-------|

Step 2

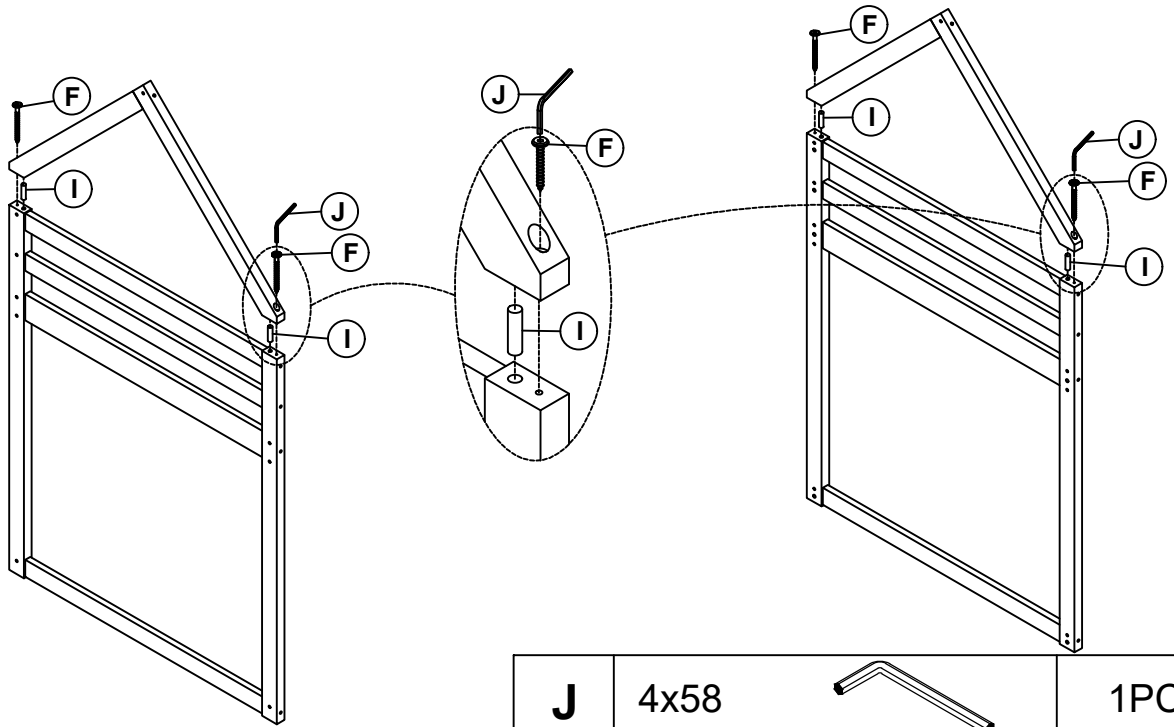


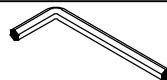


| | | | |
|----------|---------|---|------|
| C | 6.5x100 |  | 2PCS |
| J | 4x58 |  | 1PC |

| | | | |
|----------|--------|---|------|
| I | Ø10x40 |  | 2PCS |
|----------|--------|---|------|

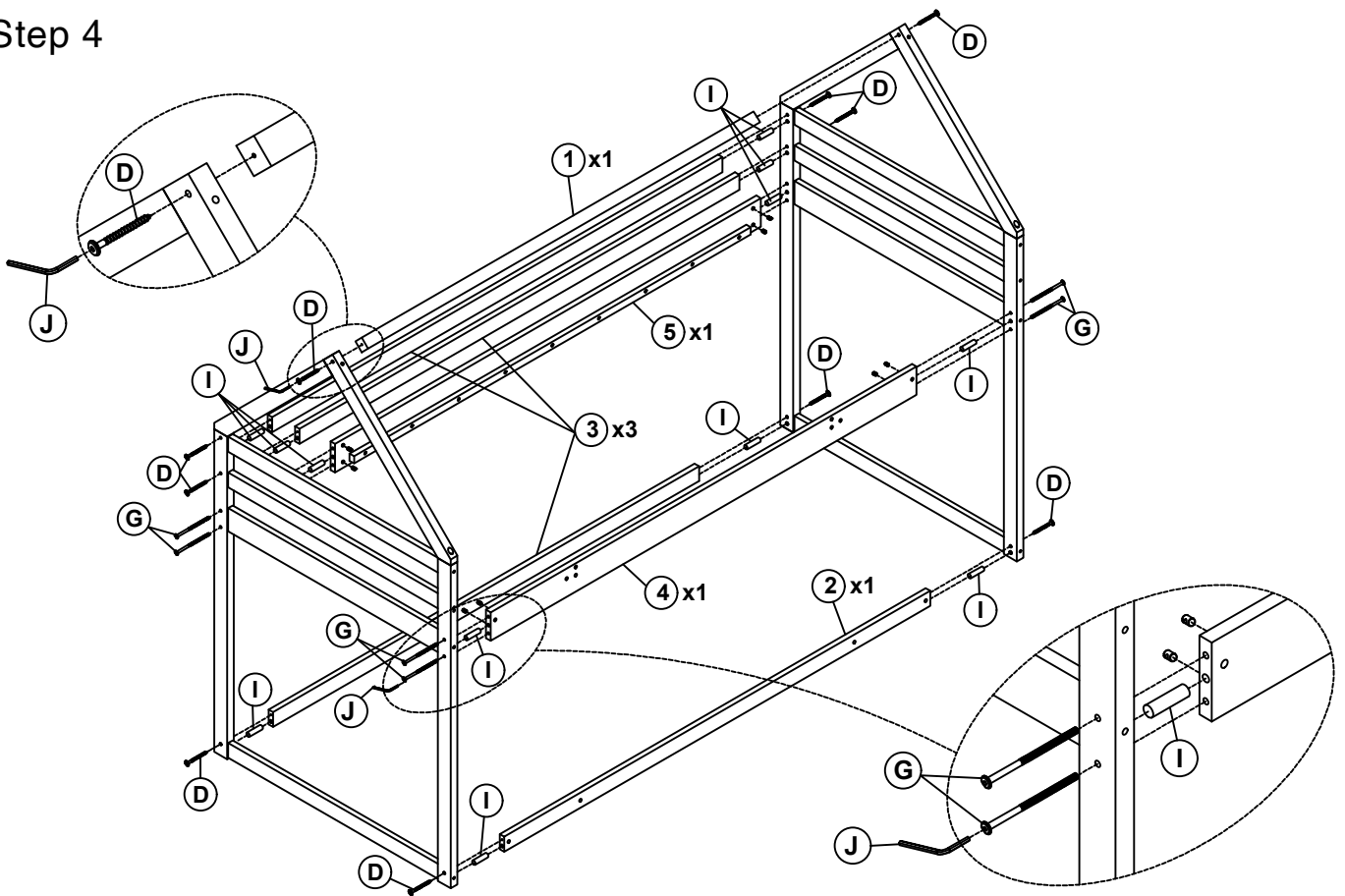
ASSEMBLY INSTRUCTIONS





Step 3



| | | | | | | |
|----------|--|------|----------|--------|---|------|
| | | | J | 4x58 |  | 1PC |
| I | Ø10x40  | 4PCS | F | 6.5x50 |  | 4PCS |

Step 4

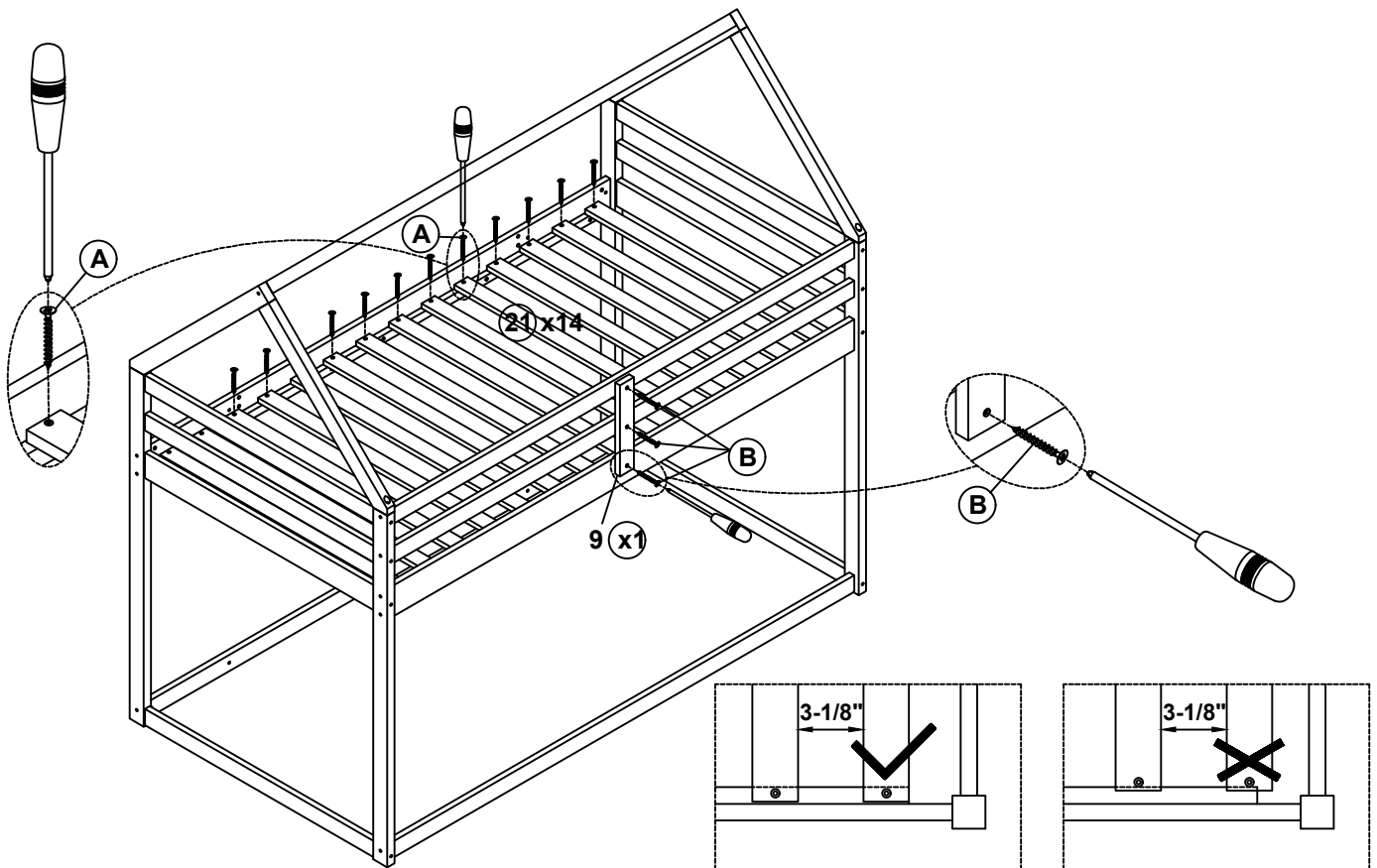


| | | | | | | |
|----------|--|-------|----------|--------|---|-------|
| I | Ø10x40  | 12PCS | D | 6.5x80 |  | 10PCS |
| J | 4x58  | 1PC | G | 1/4x75 |  | 8PCS |

ASSEMBLY INSTRUCTIONS

Step 5

First attach 2pcs part 21 to the front and end of the frame between headboard. Then attach the remaining part 21 equidistantly between headboard



Note : Do not lock the screws of the bed slats to the outermost edge of the bed slats, you need to leave a certain space at the edges, otherwise it will cause the board to break

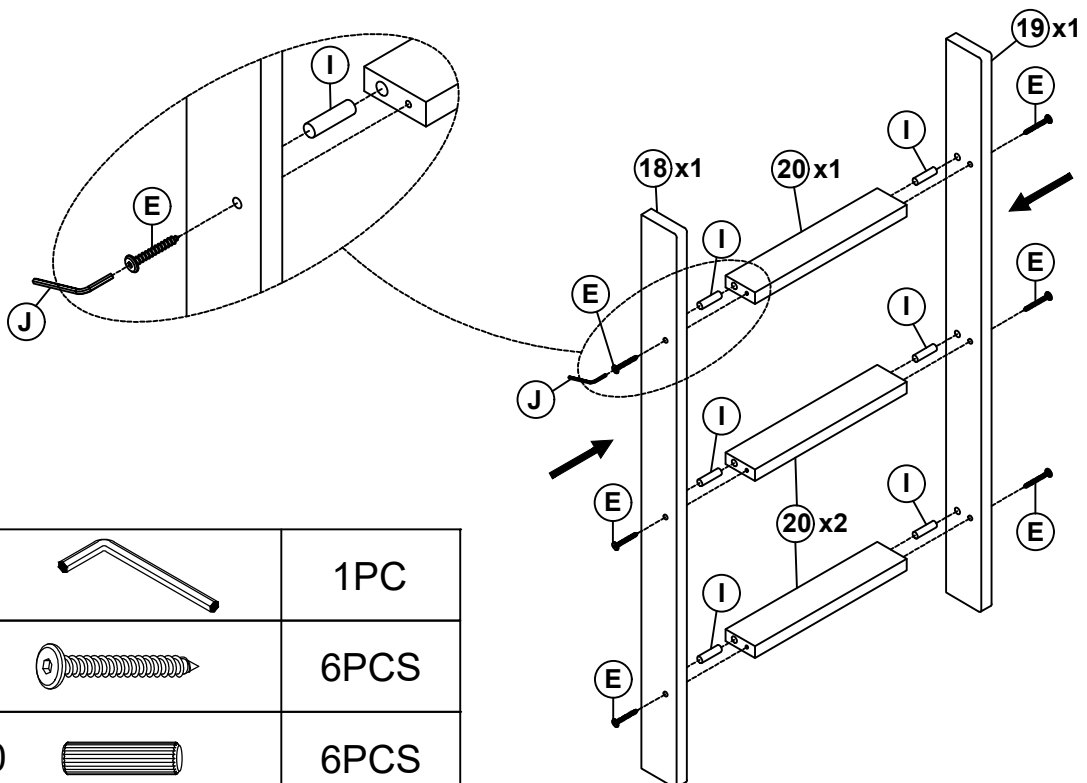
A Ø4x25 

28PCS

B Ø4x30 

3PCS

Step 6




J 4x58 

1PC

E 6.5x60 

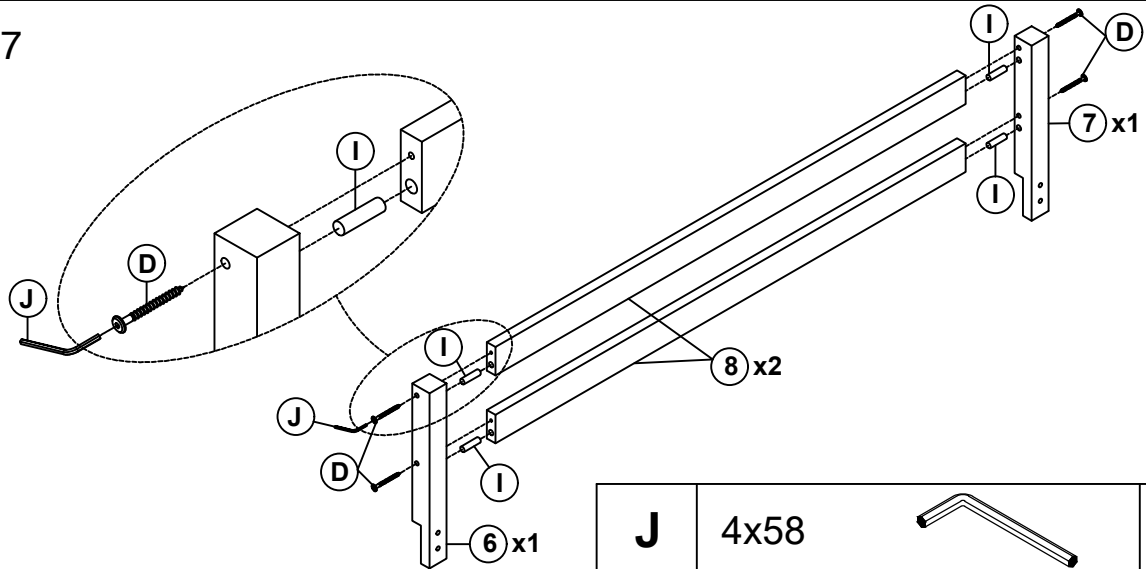
6PCS



I Ø10x40 


6PCS

ASSEMBLY INSTRUCTIONS

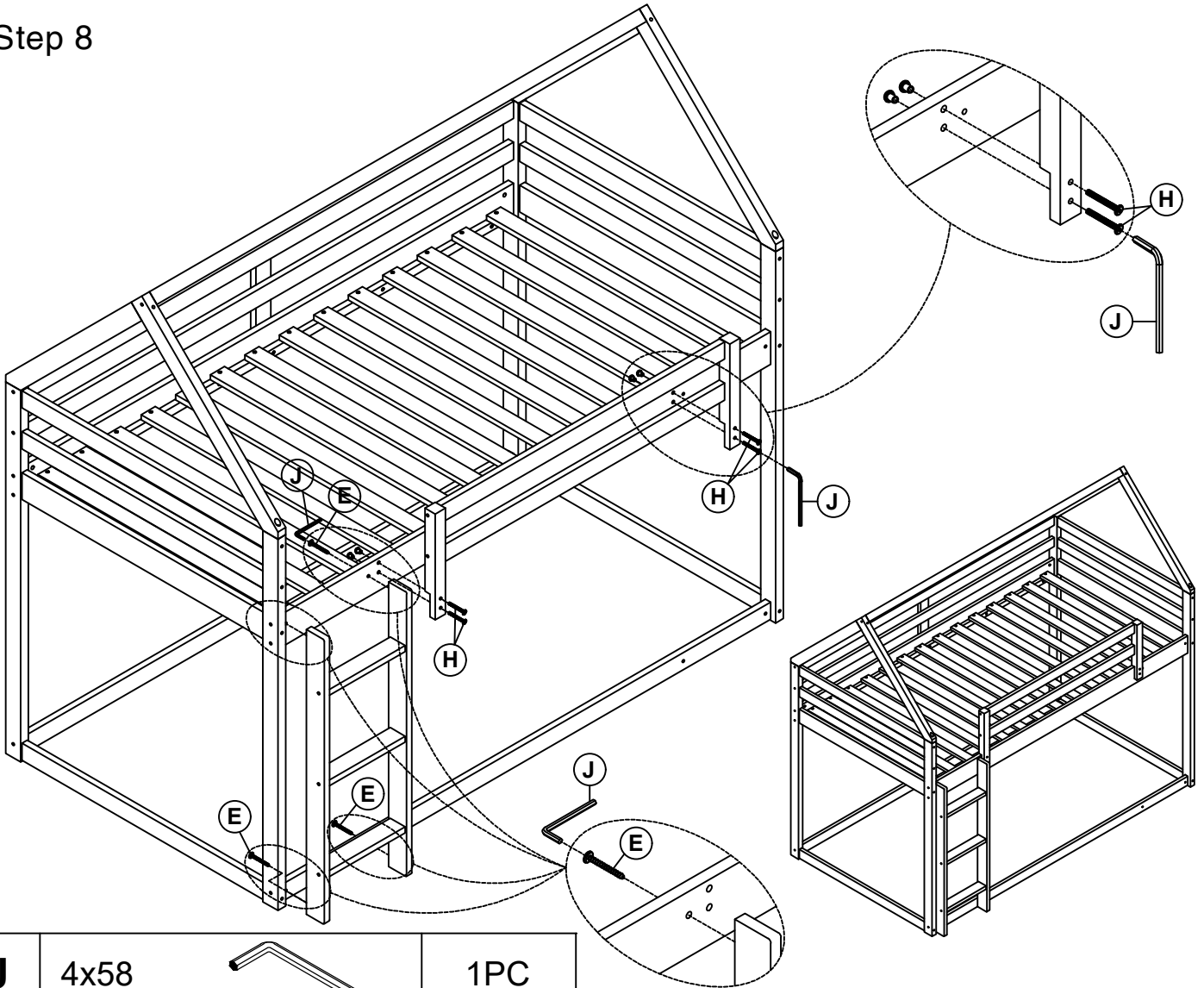
Step 7

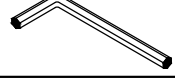




| | | | |
|----------|--------|---|------|
| J | 4x58 |  | 1PC |
| I | Ø10x40 |  | 4PCS |

| | | | |
|----------|--------|---|------|
| D | 6.5x80 |  | 4PCS |
|----------|--------|---|------|

Step 8



| | | | |
|----------|--------|---|------|
| J | 4x58 |  | 1PC |
| H | 1/4x35 |  | 4PCS |

| | | | |
|----------|--------|---|------|
| E | 6.5x60 |  | 4PCS |
|----------|--------|---|------|