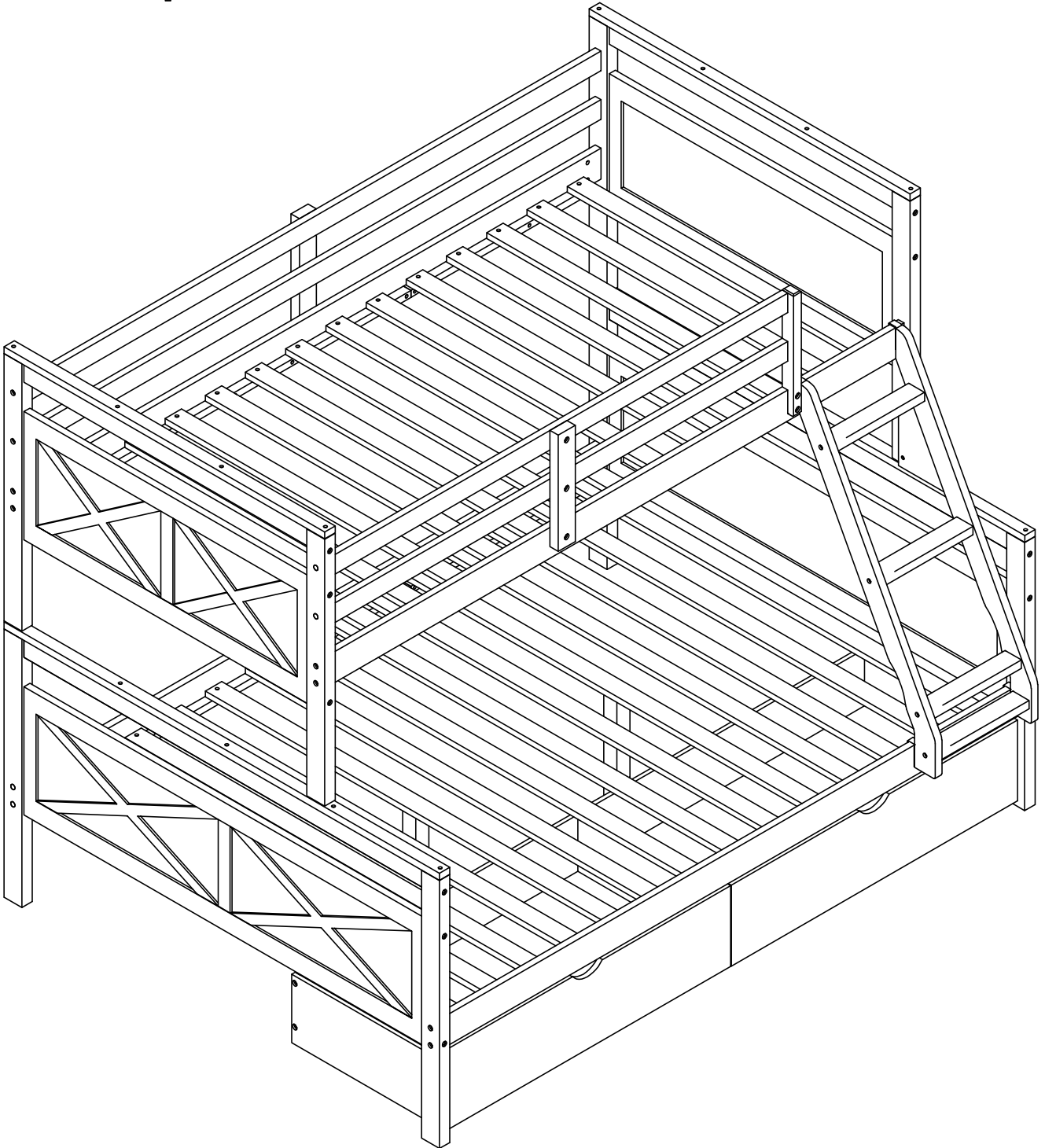


ASSEMBLY INSTRUCTION

SKU CODE: (WF286558/WF286559)

This set is included 2 boxes if don't receive full 2 boxes please contact our customer service team

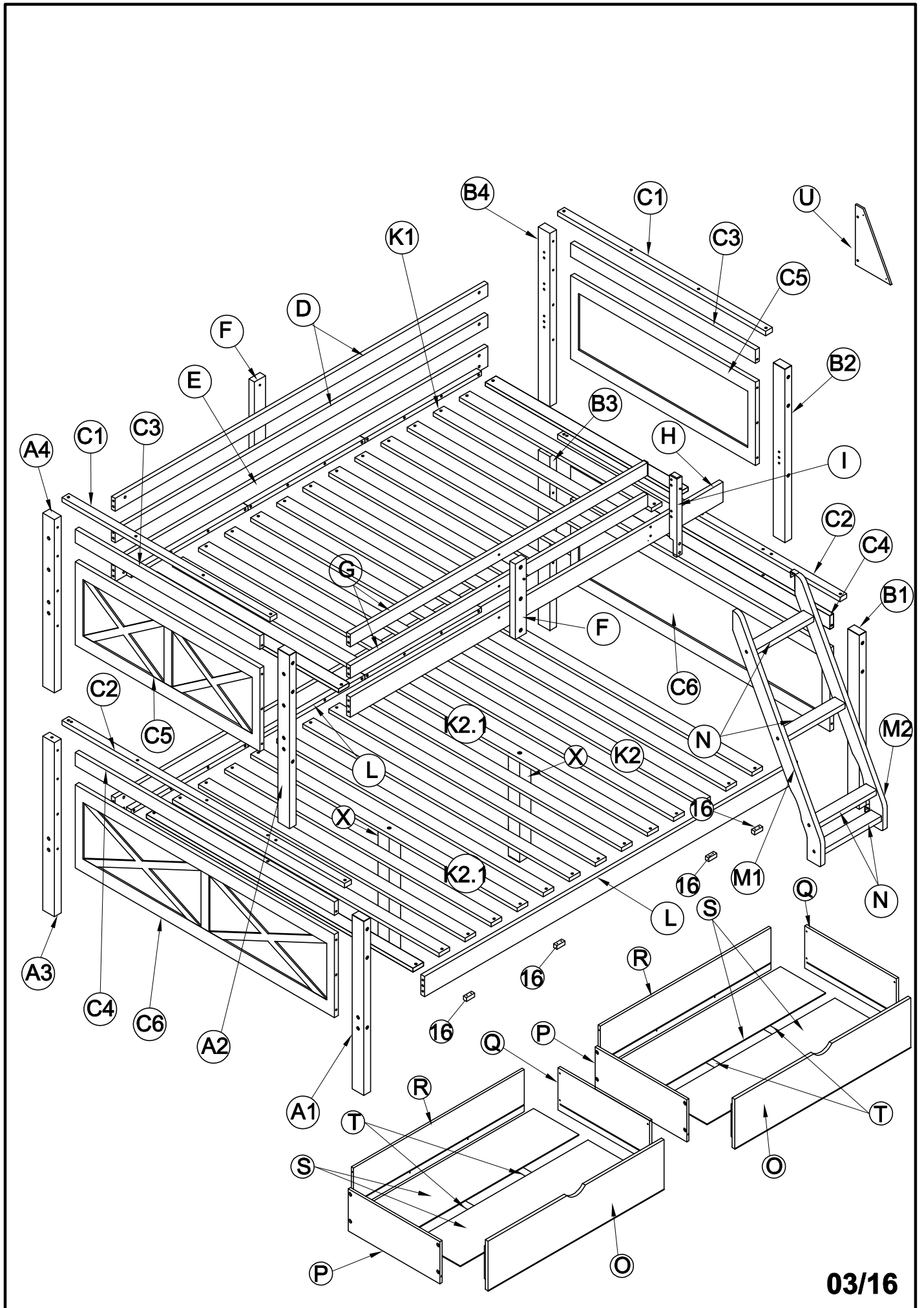


! SAFETY WARNINGS !









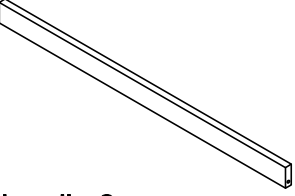
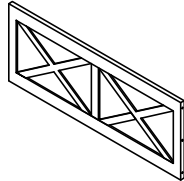
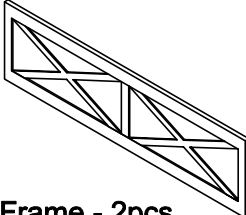
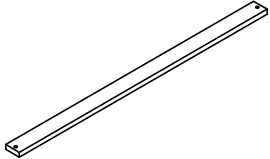


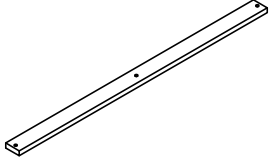

1. This bed is designed for use only mattress(es) meeting the following specifications on the upper bunk, and lower bunk:

Bed Type	Length	Width	Thickness
<i>Twin Standard</i>	<i>74" - 75"</i>	<i>38 1/2"</i>	<i>8" max</i>
<i>Full Standard</i>	<i>74" - 75"</i>	<i>53 1/2 "</i>	<i>8" max</i>

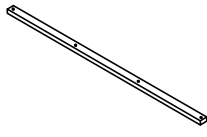
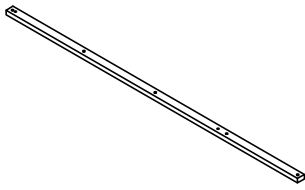
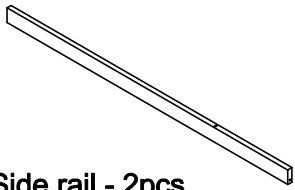
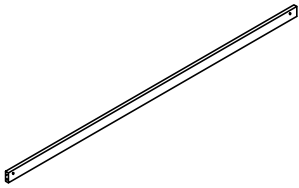
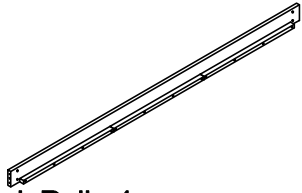

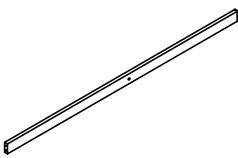
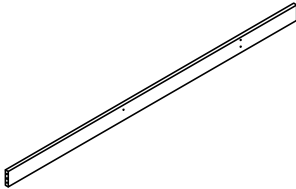

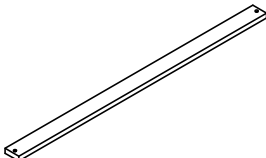
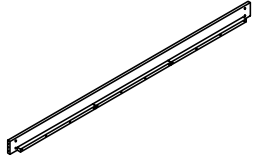
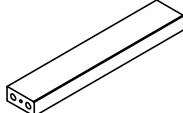
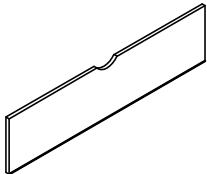
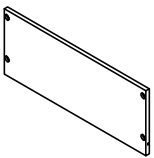
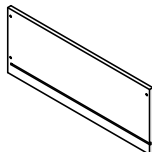
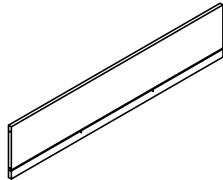
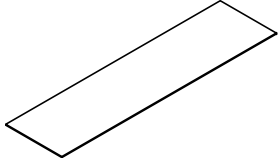
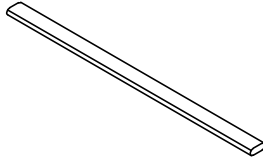

2. Replacement parts, including additional guardrails, may be obtained from any of our (GIGACLOUD TECHNOLOGY(USA) INC) dealers
3. Follow the information on the warnings appearing on the upper bunk bed end structure and on the carton. Do not remove warning label from bed.
4. Always use the recommended size mattresses or mattress supports, or both, to help prevent the likelihood of entrapment or falls.
5. Surface of the mattress must be at least 5" (127 mm) below the upper edge of guardrails.
6. Do not allow children under 6 years of age to use the upper bunk.
7. Periodically check and ensure that the guardrail, ladder, and other components are in their proper position, free from damage, and that all connectors are tight.
8. Do not allow horseplay on or under the bed and prohibit jumping on the bed
9. Always use the ladder for entering and leaving the upper bunk.
10. Do not use substitute parts. Contact the manufacturer or dealer for replacement parts.
11. Use of a night light may provided added safety precaution for a child using the upper bunk.
12. Always use guardrails on both long sides of the upper bunk. If the bunk bed will be placed next to the wall, the guardrail that runs the full length of the bed should be placed against the wall to prevent entrapment between the bed and wall.
13. The use of water or sleep flotation mattresses is prohibited.
14. **STRANGULATION HAZARD** – Never attach or hang items to any part of the bunk bed that are not designed for use with the bed; for example, but not limited to, hook, belts and jump ropes.
15. Keep these instructions for future reference



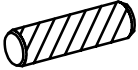

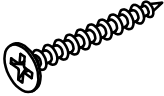




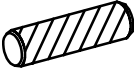

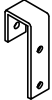
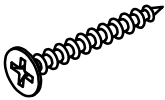

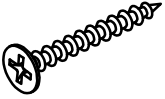
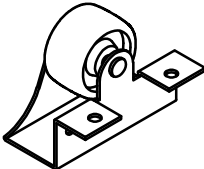
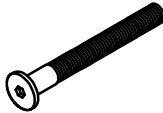
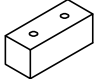
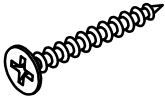
Part List & Hardware List(Box 1-WF286558)

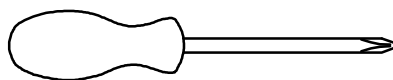
<p>A1</p>  <p>Front Leg (Left) - 1pcs</p>	<p>A2</p>  <p>Front Leg (Left) - 1pcs</p>	<p>A3</p>  <p>Back Leg (Left) - 1pcs</p>
<p>A4</p>  <p>Back Leg (Left) - 1pcs</p>	<p>B1</p>  <p>Front Leg (Right) - 1pcs</p>	<p>B2</p>  <p>Front Leg (Right) - 1pcs</p>
<p>B3</p>  <p>Back Leg (Right) - 1pcs</p>	<p>B4</p>  <p>Back Leg (Right) - 1pcs</p>	<p>C3</p>  <p>Side rail - 2pcs</p>
<p>C5</p>  <p>Side Frame - 2pcs</p>	<p>C6</p>  <p>Side Frame - 2pcs</p>	<p>K2</p>  <p>Slat - 12psc</p>
<p>M1</p>  <p>Side Ladder - 1psc</p>	<p>M2</p>  <p>Side Ladder - 1psc</p>	<p>K2.1</p>  <p>Slat - 2psc</p>
<p>X</p>  <p>Slat Support- 2psc</p>		

Part List(Box 2-WF286559)

<p>C1</p>  <p>Side rail - 2pcs</p>	<p>C2</p>  <p>Side rail - 2pcs</p>	<p>C4</p>  <p>Side rail - 2pcs</p>
<p>D</p>  <p>Back Rail - 2pcs</p>	<p>E</p>  <p>Back Rail - 1pcs</p>	<p>F</p>  <p>Rail - 2pcs</p>
<p>G</p>  <p>Front Rail - 2pcs</p>	<p>H</p>  <p>Front Rail - 1pcs</p>	<p>I</p>  <p>Rail - 1pcs</p>
<p>K1</p>  <p>Slat - 14psc</p>	<p>L</p>  <p>Side rail - 2psc</p>	<p>N</p>  <p>Step Ladder - 4psc</p>
<p>O</p>  <p>Front Drawer-2psc</p>	<p>P</p>  <p>Side Drawer(Left)-2psc</p>	<p>Q</p>  <p>Side Drawer(Right)-2psc</p>
<p>R</p>  <p>Back Drawer-2psc</p>	<p>S</p>  <p>Bottom Drawer-4psc</p>	<p>T</p>  <p>Bottom Rail-4psc</p>
<p>U</p>  <p>Panel-1pc</p>		



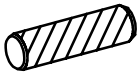
Hardware List

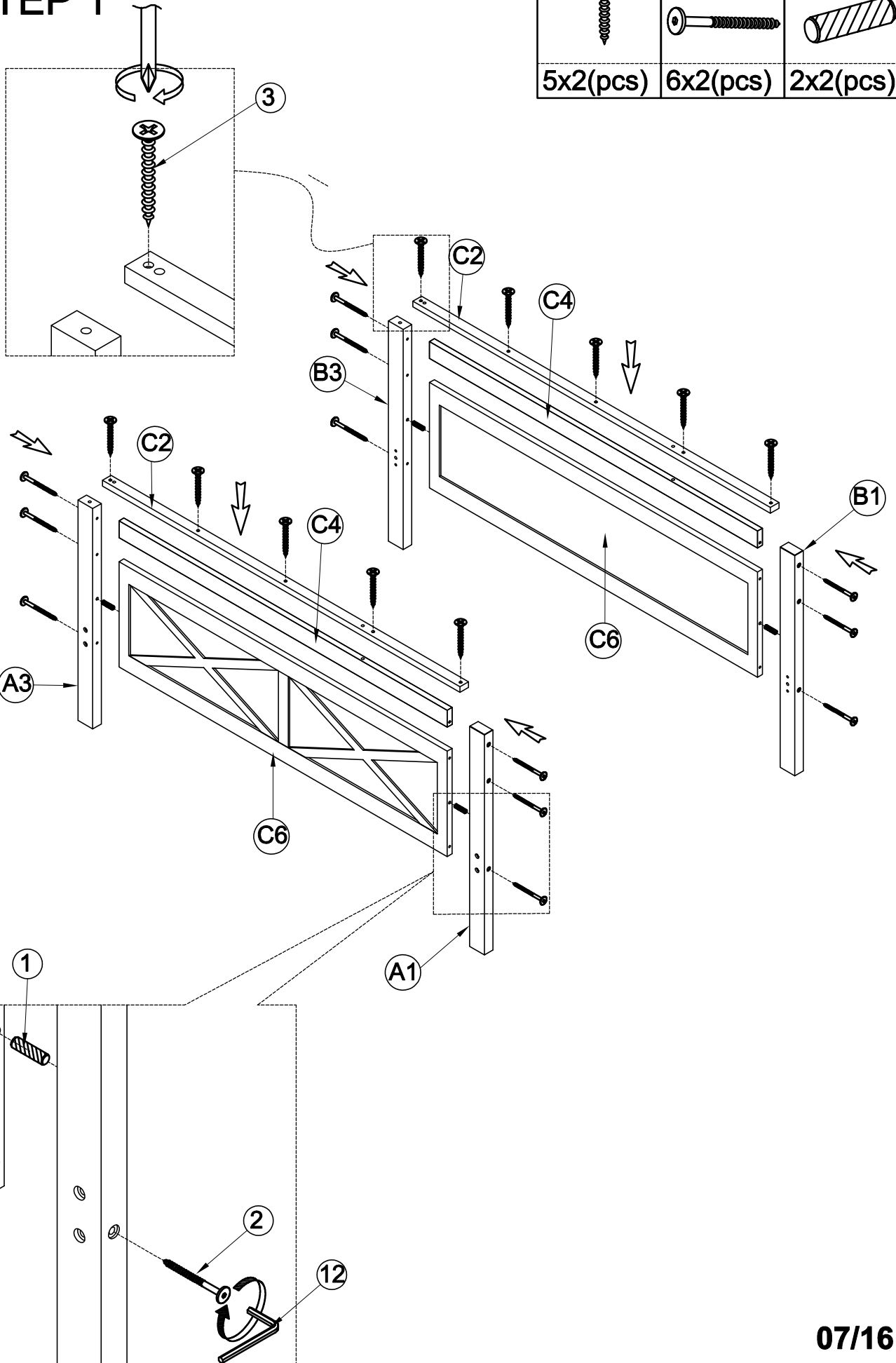
<p>1</p>  <p>Ø10 x 40 mm Wood dowel 40pcs</p>	<p>2</p>  <p>Ø1/4" x 100 mm Hex-Head bolts 24pcs</p>	<p>3</p>  <p>M4 x 30 mm Wood Screws 102pcs</p>
<p>4</p>  <p>Ø1/4" x 80 mm Hex-Head bolts 24pcs</p>	<p>5</p>  <p>Ø1/4" x 13 mm Horizontal-Hole bolts 24pcs</p>	<p>6</p>  <p>Ø1/4" x 30 mm Hex-Head bolts 6pcs</p>
<p>7</p>  <p>Ø1/4" x 15 mm Canopy head though - 2pcs</p>	<p>8</p>  <p>Ø12 x 110 mm Wood dowel 4pcs</p>	<p>9</p>  <p>Ø1/4" x 50 mm Hex-Head bolts 8pcs</p>
<p>10</p>  <p>Bracket 4 pcs</p>	<p>11</p>  <p>M4 x 15 mm Wood Screws 12pcs</p>	<p>12</p>  <p>Allen Key 1pc</p>
<p>13</p>  <p>M3.5x 12 mm Wood Screws 24pcs</p>	<p>14</p>  <p>Wheels 8pcs</p>	<p>15</p>  <p>Ø1/4" x 35 mm Hex-Head bolts 4pcs</p>
<p>16</p>  <p>Bottom Rail-4psc</p>	<p>17</p>  <p>M4 x 20 mm Wood Screws 4pcs</p>	



Assembly Tools Required (Not Included)

STEP 1

3		2		1	
5x2(pcs)		6x2(pcs)		2x2(pcs)	



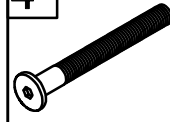
STEP 2

5



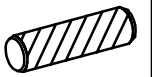
8(pcs)

4

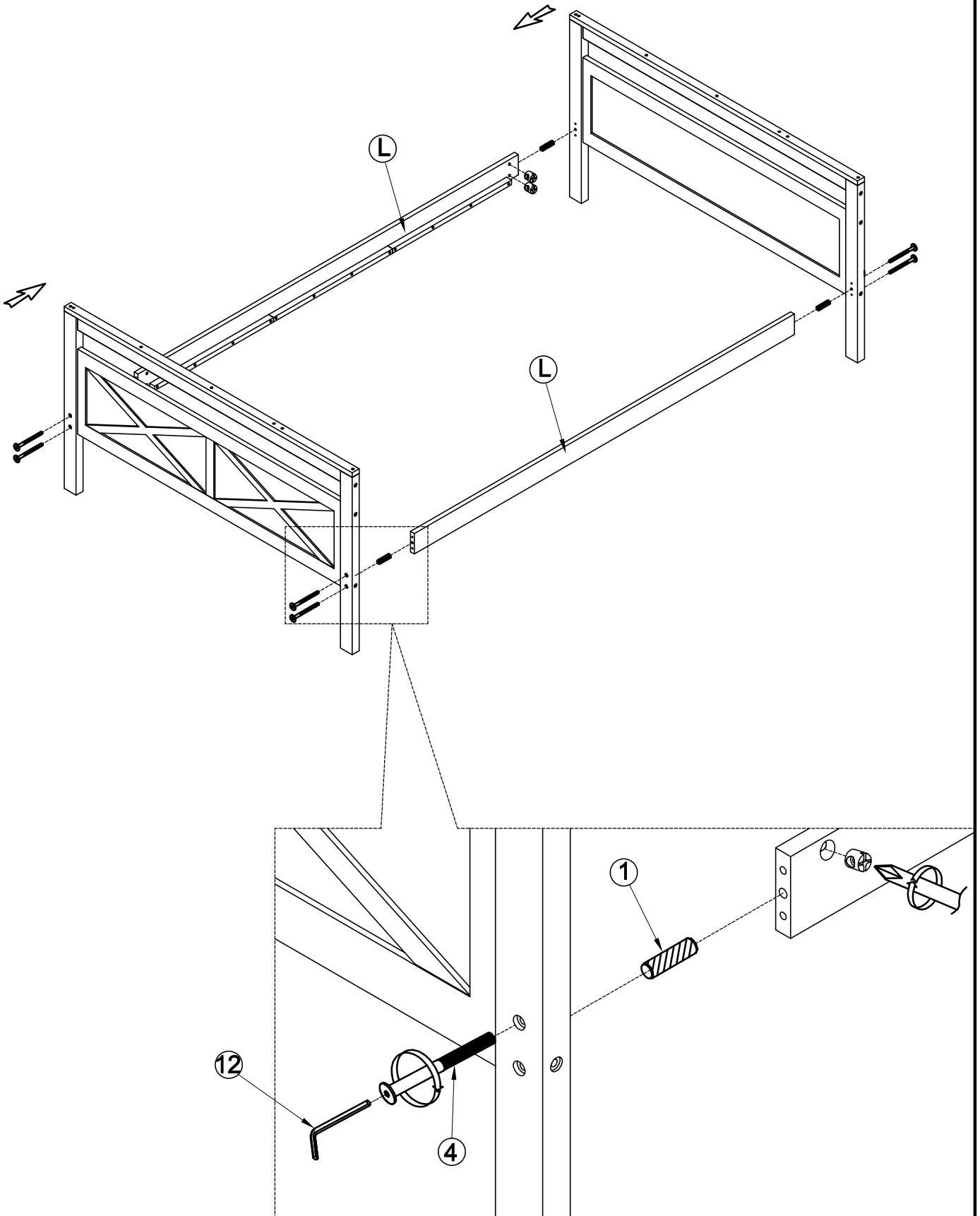


8(pcs)

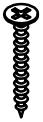

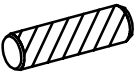
1

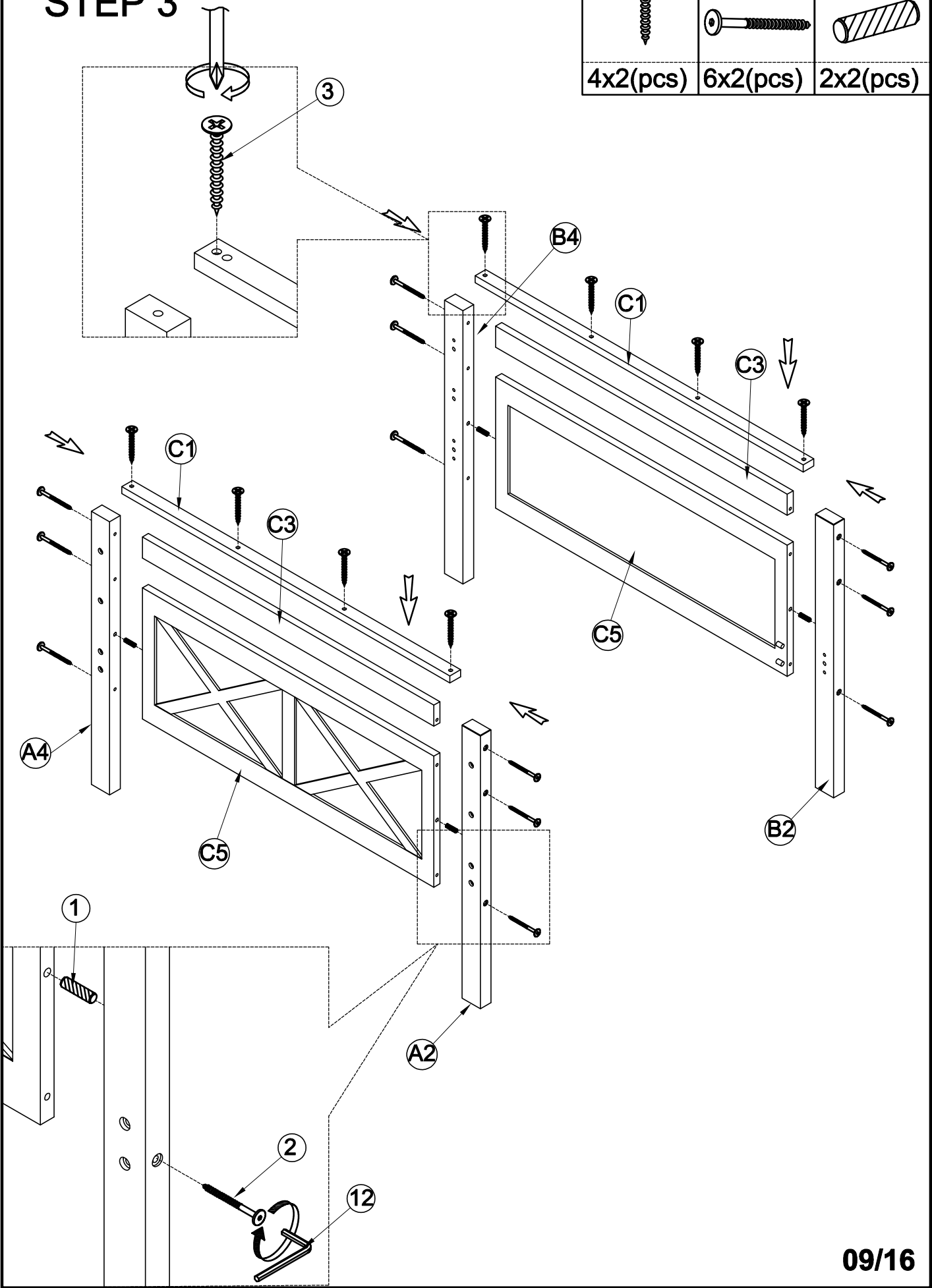


4(pcs)

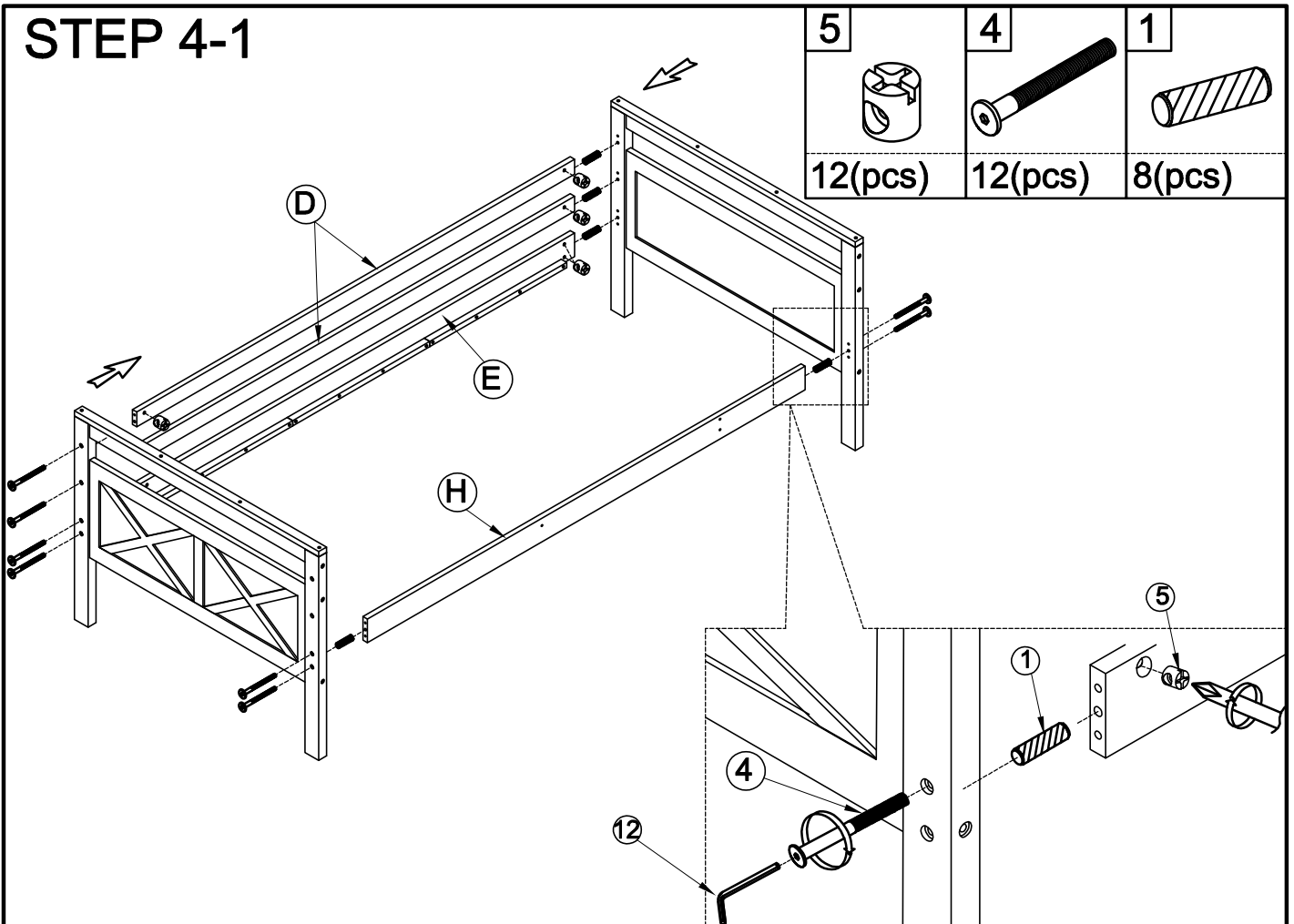


STEP 3

3		2		1	
4x2(pcs)		6x2(pcs)		2x2(pcs)	

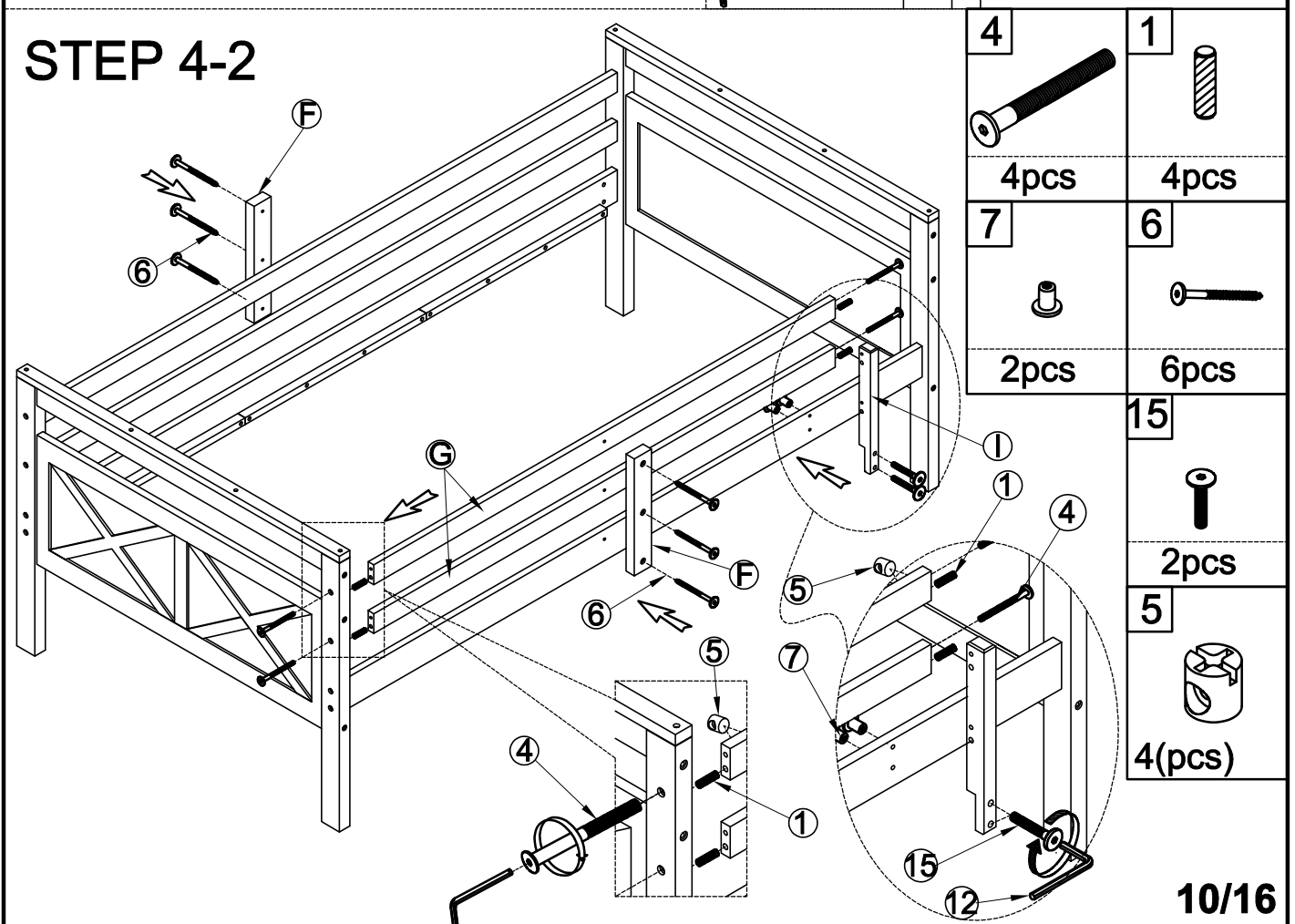


STEP 4-1



5	4	1
12(pcs)	12(pcs)	8(pcs)

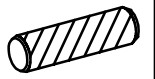
STEP 4-2



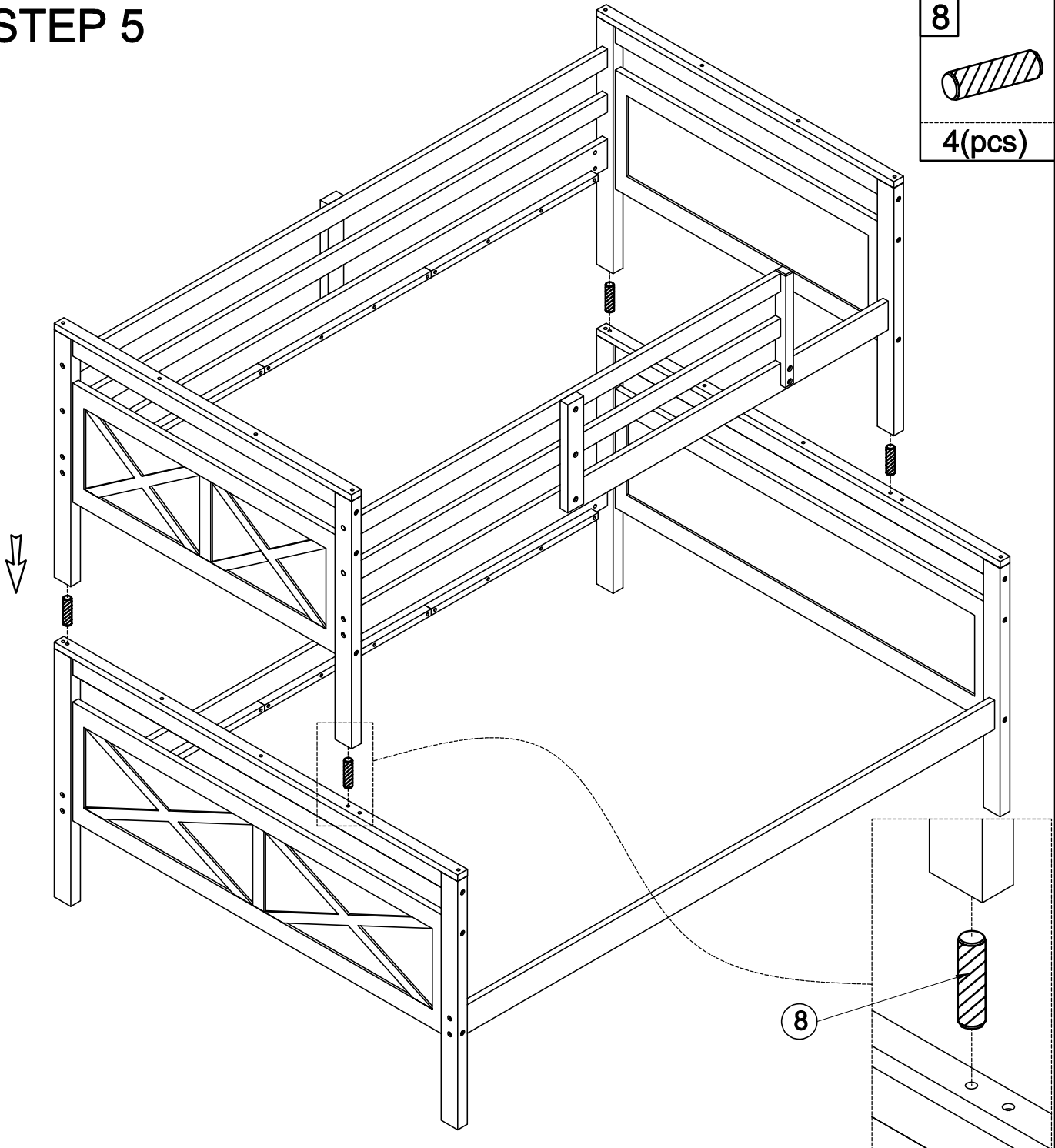
4	1
4pcs	4pcs
7	6
2pcs	6pcs
15	
2pcs	
5	
4(pcs)	

STEP 5

8

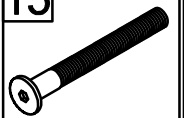


4(pcs)

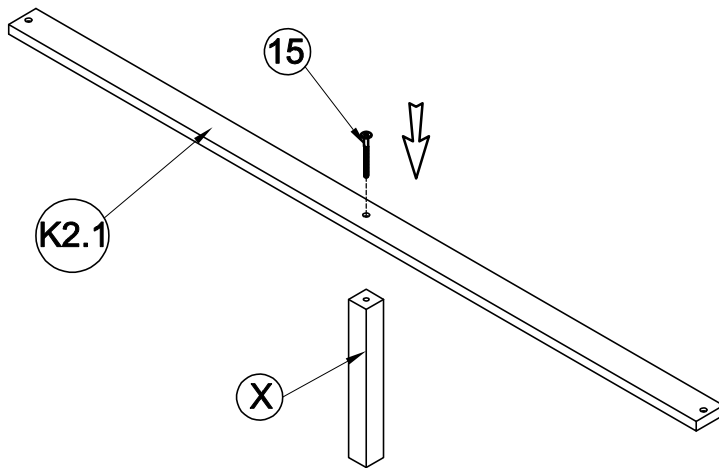


STEP 6

15



2(pcs)



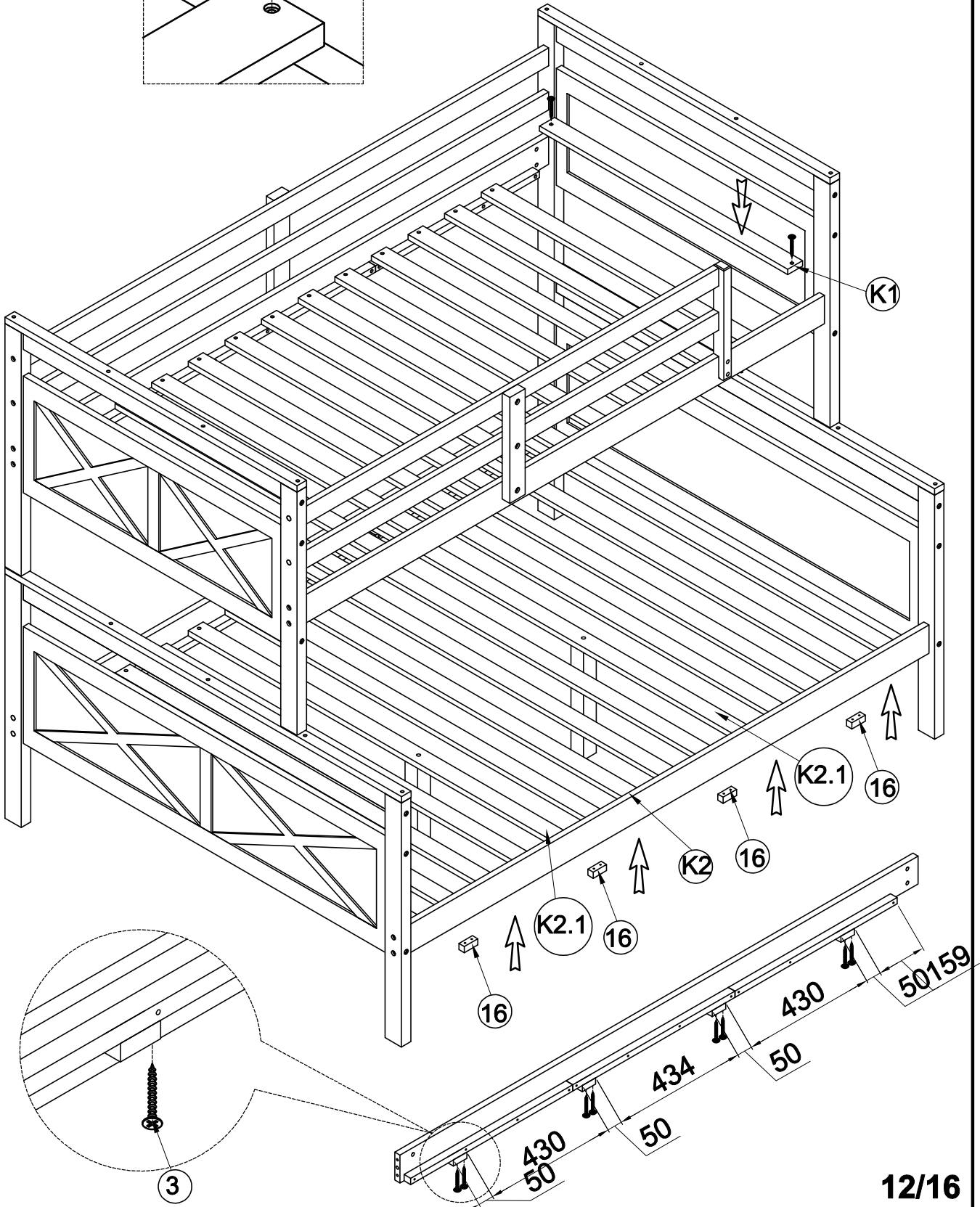
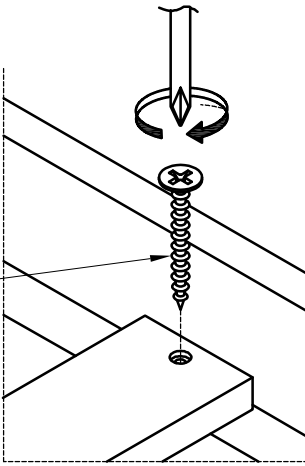
STEP 7

3

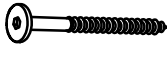
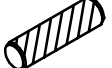


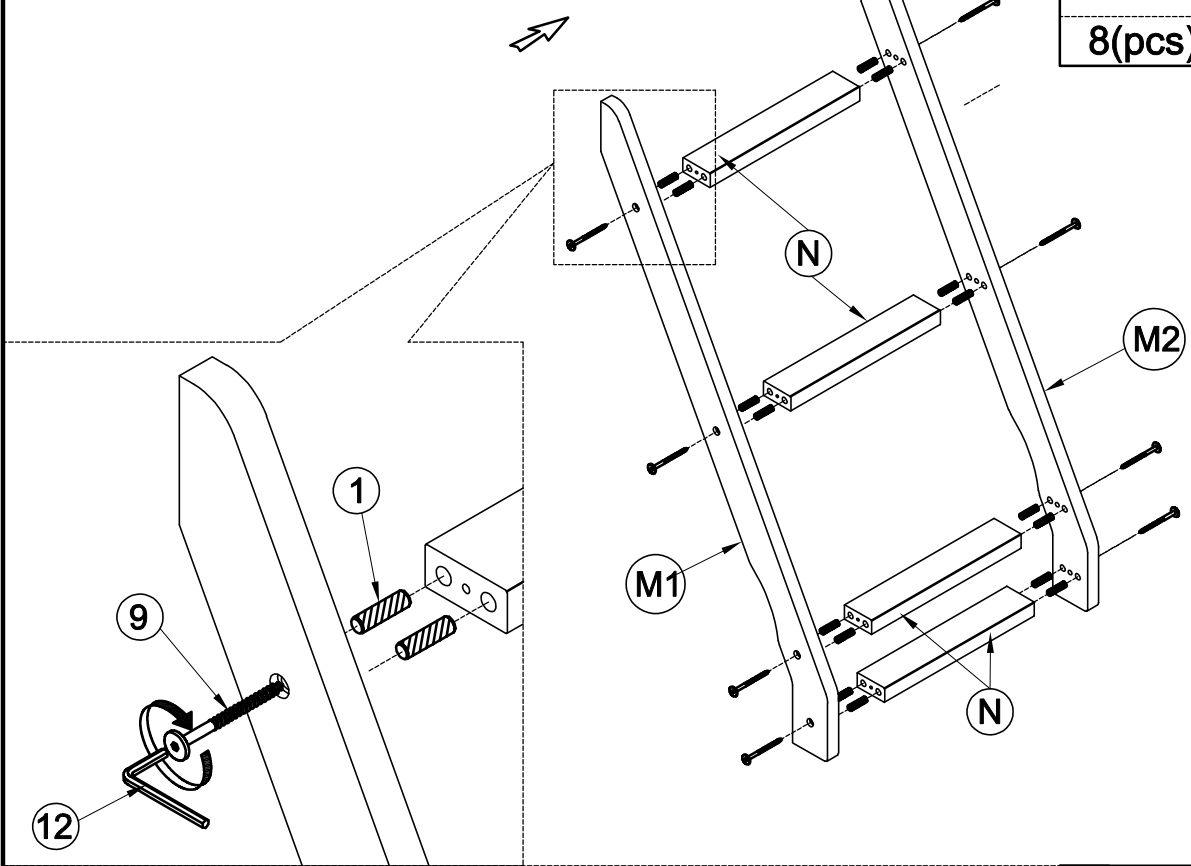
62(pcs)

3





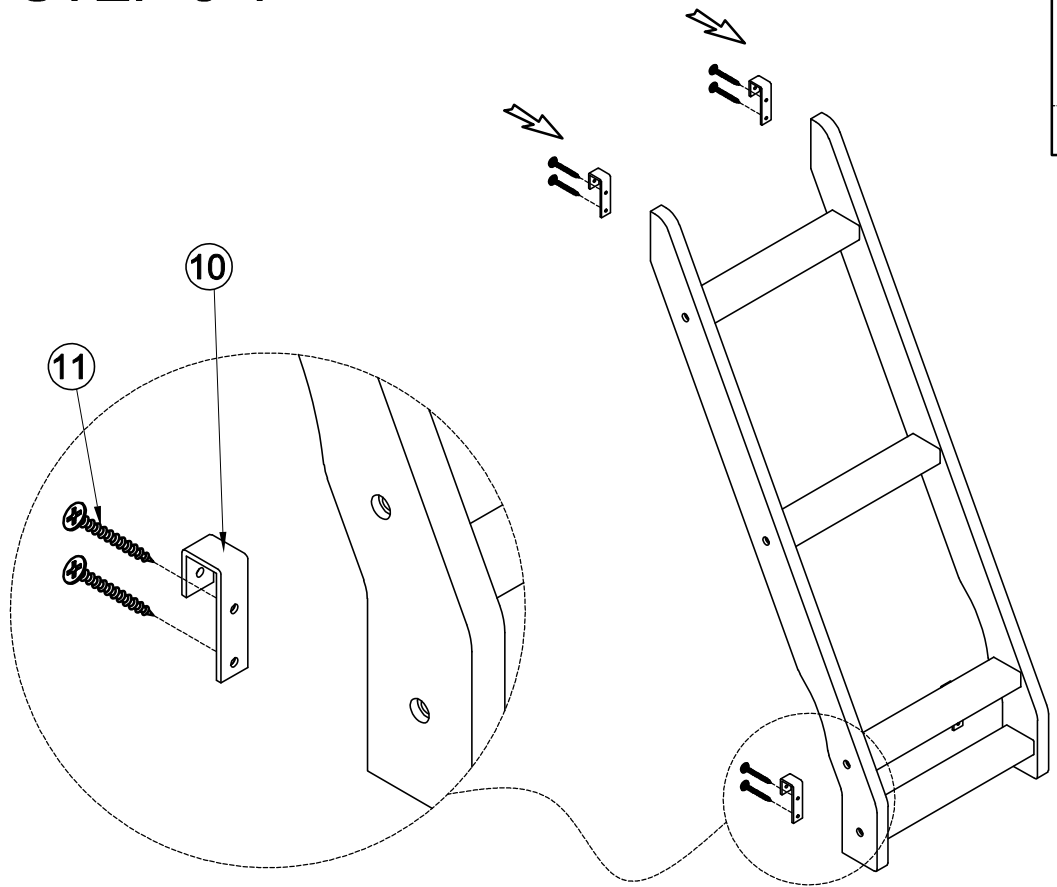
STEP 8-1

9	1
	
8(pcs)	16(pcs)

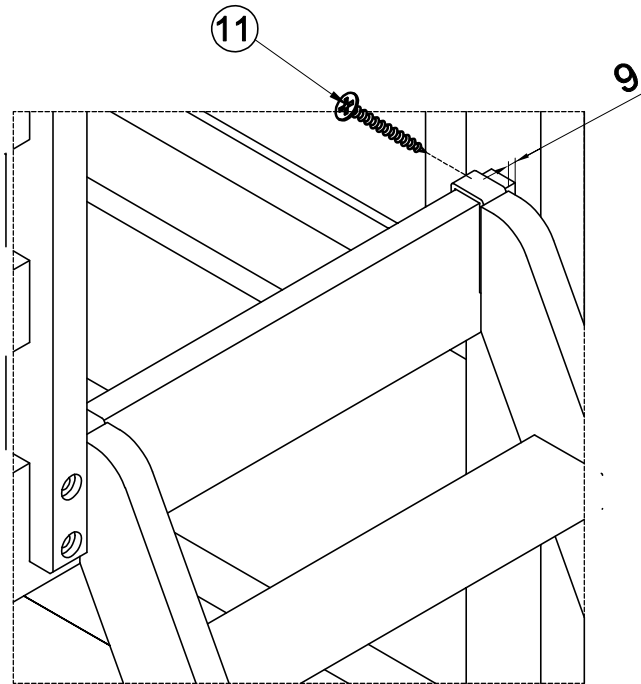


STEP 8-1

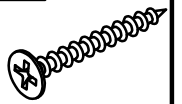
11	10
	
8(pcs)	4(pcs)



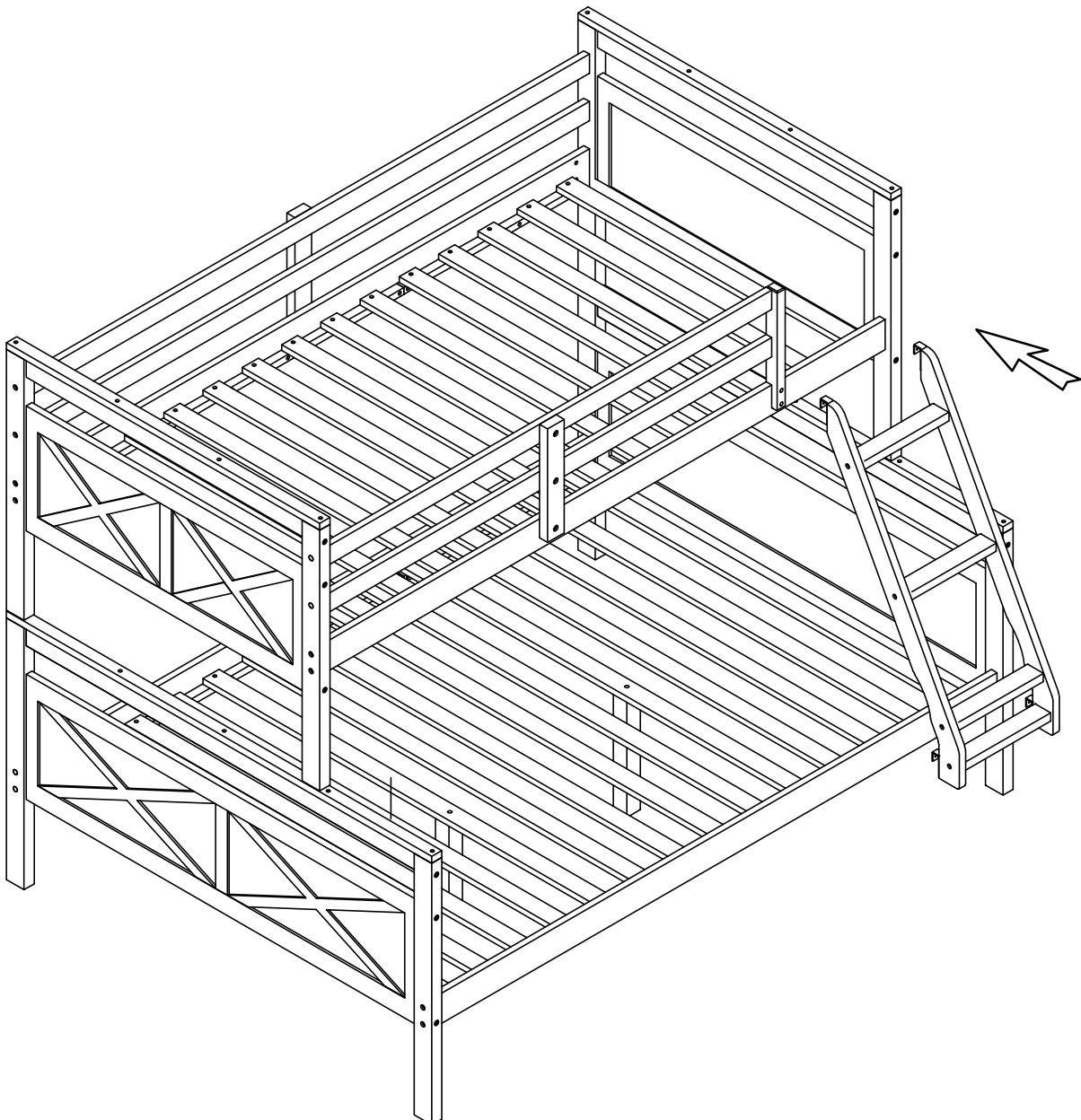
STEP 9



11

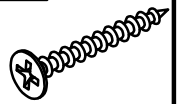


4(pcs)

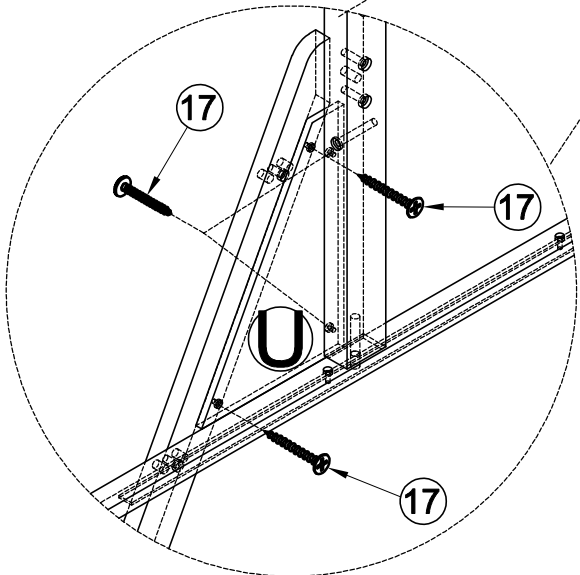
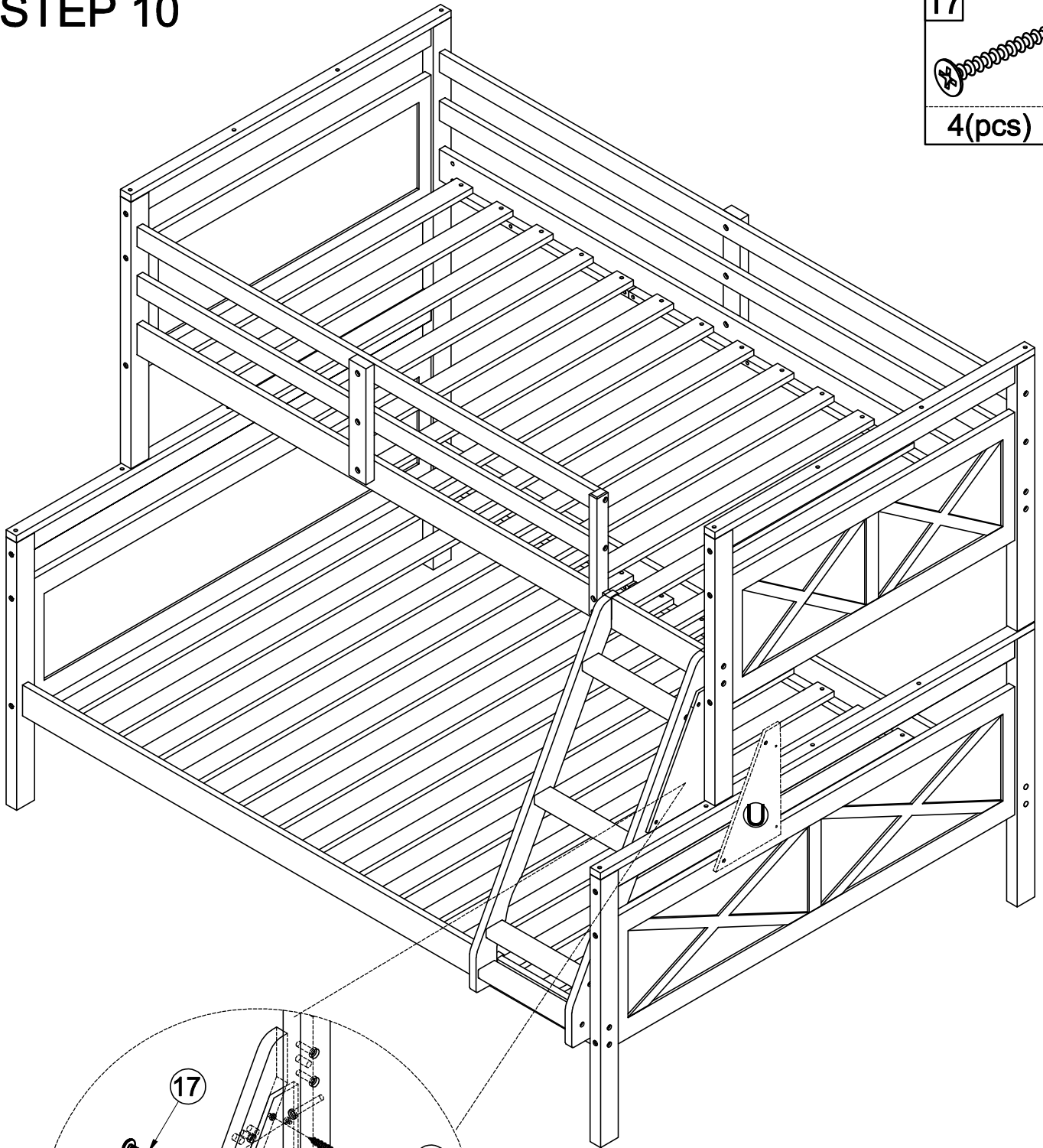


STEP 10

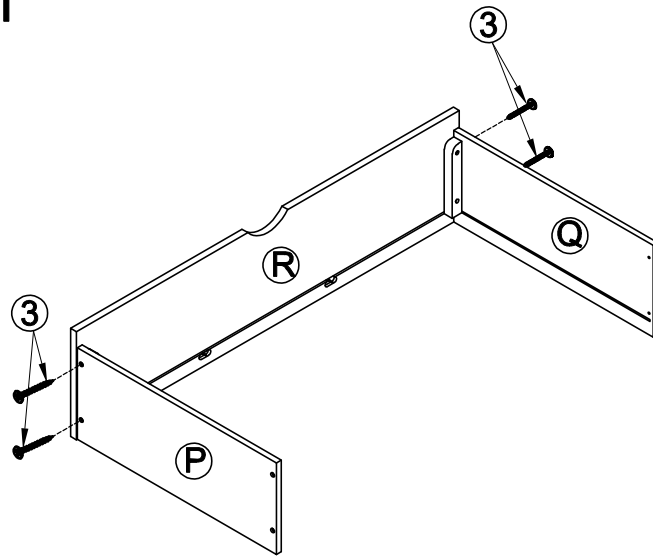
17



4(pcs)



STEP 11-1

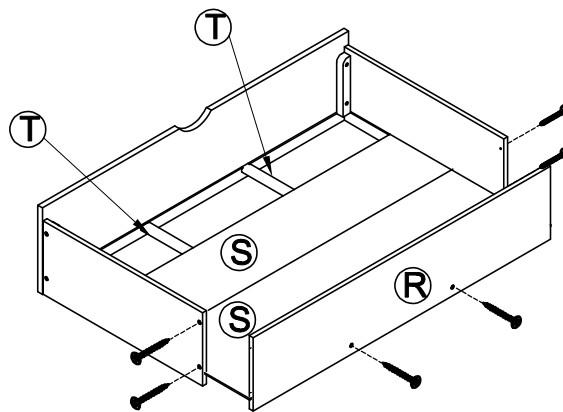


3

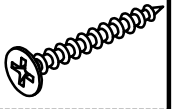


2x2(pcs)

STEP 11-2

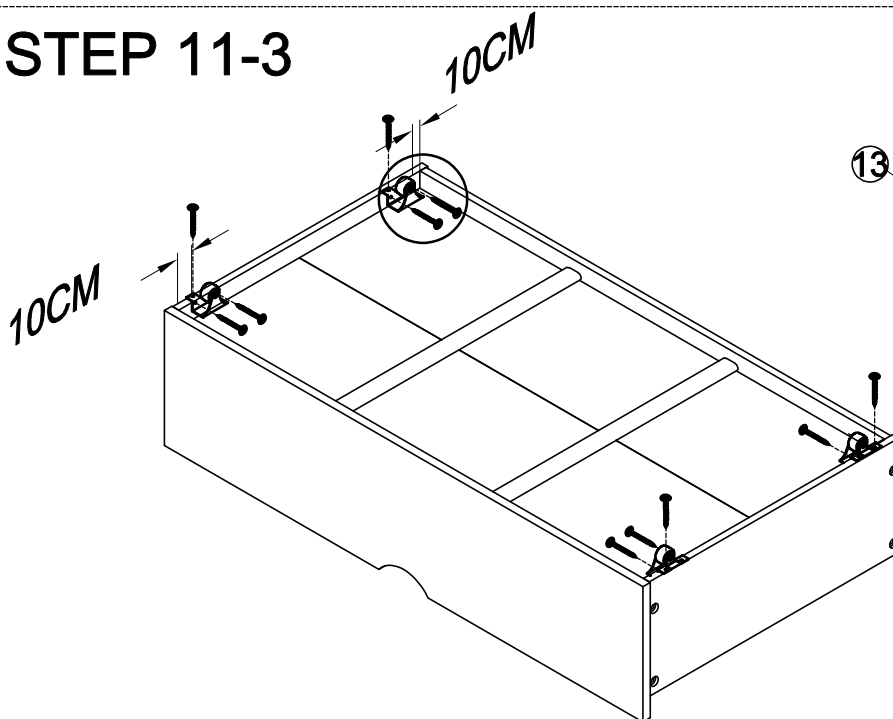


3

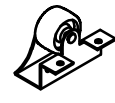


8x2(pcs)

STEP 11-3



14



2x4(pcs)

13



2x12(pcs)

