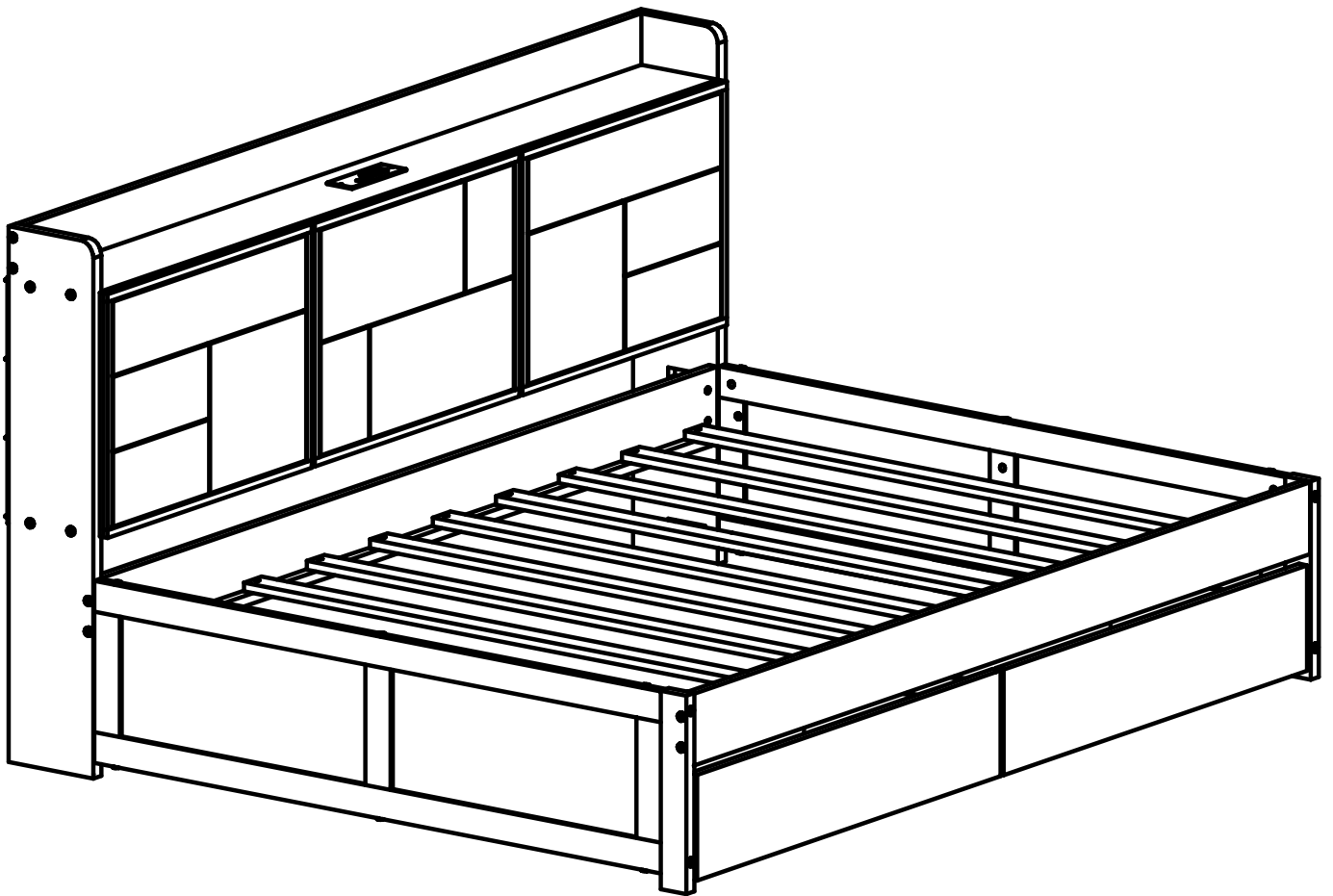
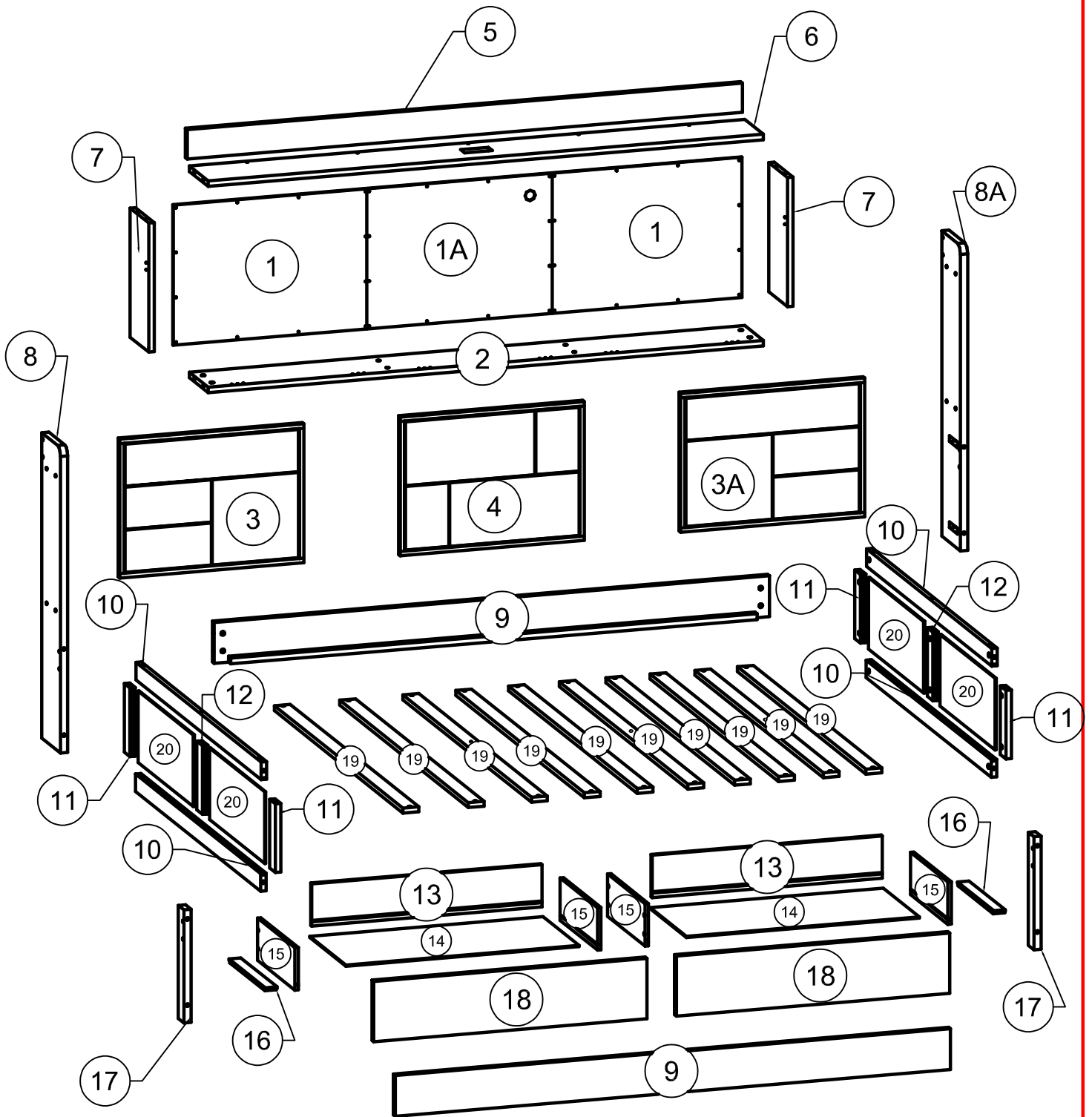


ASSEMBLY INSTRUCTION

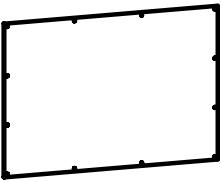
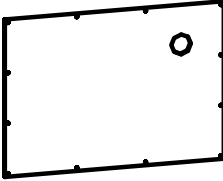
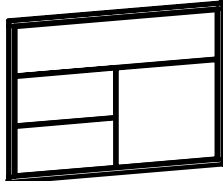
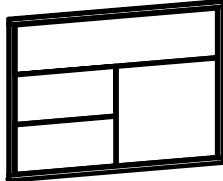
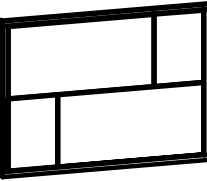
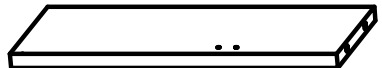
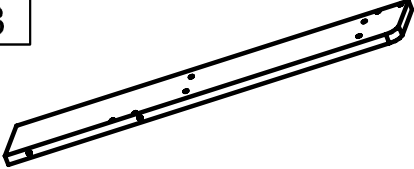
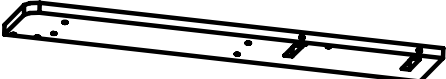






SKU CODE: (WF324175/WF324176)







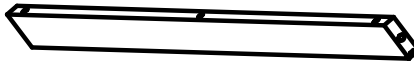
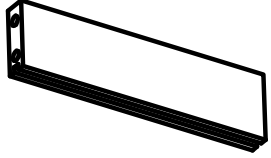
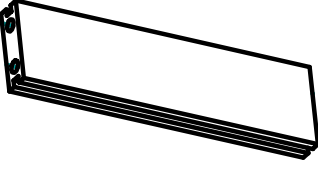


ASSEMBLY INSTRUCTION





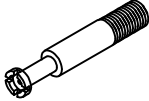
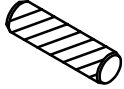


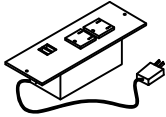

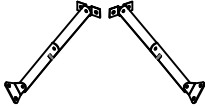
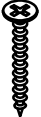


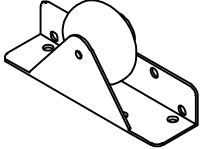

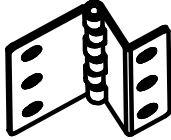

Part List (WF324175)

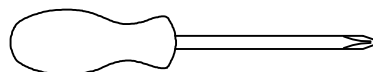
<p>1</p>  <p>Panel - 2pcs</p>	<p>1A</p>  <p>Panel - 1pc</p>	<p>3</p>  <p>Head board - 1pcs</p>
<p>3A</p>  <p>Head board - 1pcs</p>	<p>4</p>  <p>Head board - 1pc</p>	<p>7</p>  <p>Vertical bar - 2pcs</p>
<p>8</p>  <p>Legs left HB - 1pc</p>	<p>8A</p>  <p>Legs right HB - 1pc</p>	<p>13</p>  <p>Drawers - Back Panel - 2pcs</p>
<p>14</p>  <p>Drawers - Bottom Panel - 2pcs</p>	<p>15</p>  <p>Drawers - Side Panel - 4pcs</p>	<p>17</p>  <p>Leg - 2pcs</p>
<p>19</p>  <p>Slats - 10pcs</p>	<p>20</p>  <p>Panels - 4pcs</p>	

Part List (WF324176)

<p>2</p>  <p>Crossbar - 1pc</p>	<p>5</p>  <p>Crossbar - 1pc</p>	<p>6</p>  <p>Crossbar - 1pc</p>
<p>9</p>  <p>Side panels - 2pcs</p>	<p>10</p>  <p>Vertical bar - 4pcs</p>	<p>11</p>  <p>Short bar - 4pcs</p>
<p>12</p>  <p>Short bar - 2pcs</p>	<p>16</p>  <p>Drawers - Support Bottom - 2pcs</p>	<p>18</p>  <p>Drawers - Font Panel - 2pcs</p>

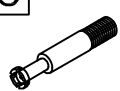

Hardware List (WF324176)

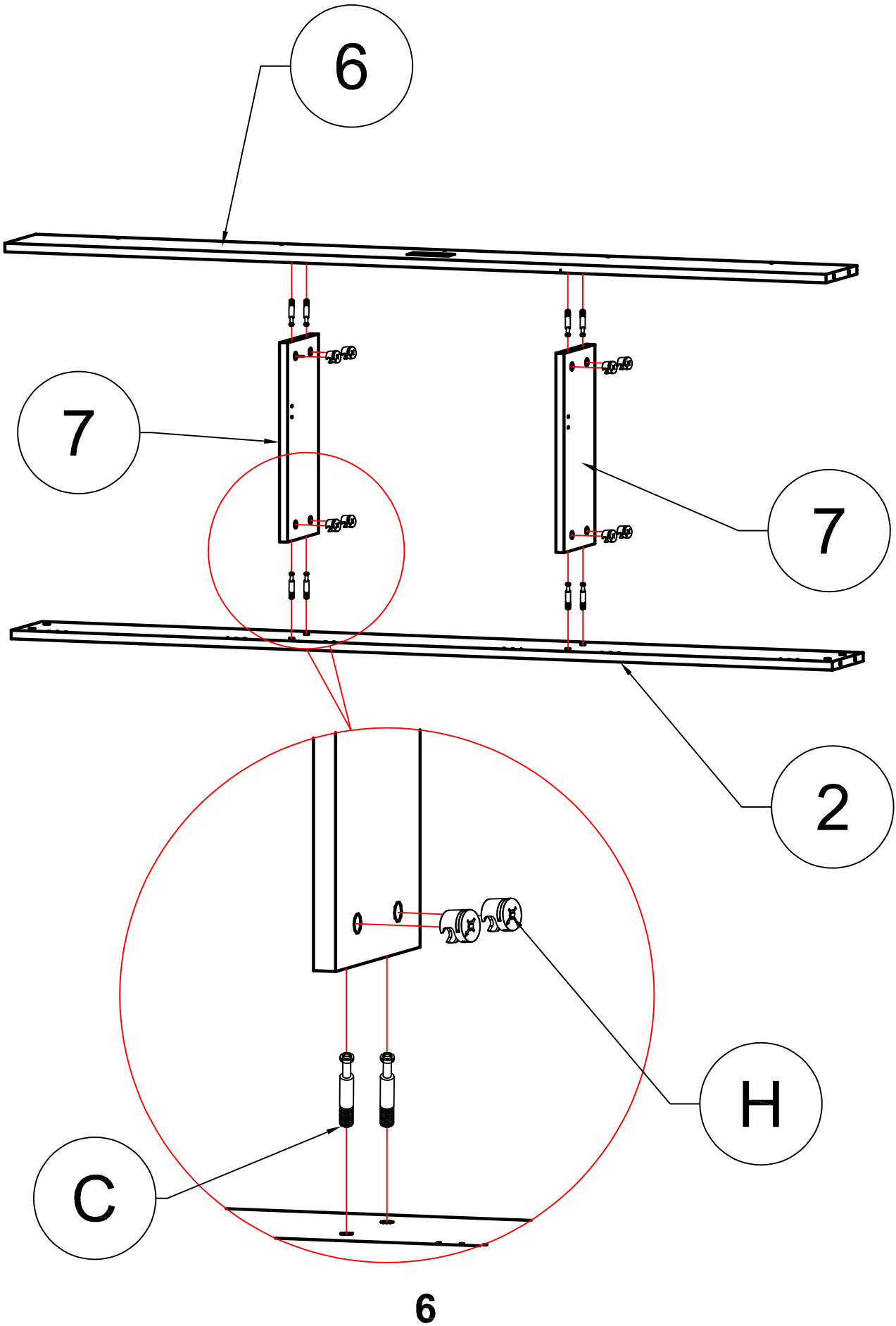
<p>A</p>  <p>1/4" x 100mm Hex-Head bolts 16pcs</p>	<p>B</p>  <p>1/4" x 15mm Horizontal -Hole bolts 40pcs</p>	<p>C</p>  <p>Link 1 - 8 pcs</p>
<p>D</p>  <p>Ø8 x 30 mm Wood dowel 8pcs</p>	<p>E</p>  <p>Allen Key 1pcs</p>	<p>F</p>  <p>#4 x 15 mm Wood Screws 100pcs</p>
<p>G</p>  <p>USB Power Outlet 1 pc</p>	<p>H</p>  <p>Link 2 - 8 pcs</p>	<p>I</p>  <p>Crankshaft 3 set (1L-1R)</p>
<p>J</p>  <p>#4 x 30 mm Wood Screws 41pcs</p>	<p>K</p>  <p>1/4" x 60mm Hex-Head bolts 24pcs</p>	<p>L</p>  <p>Plastic Drawer Stopper 4pcs</p>
<p>M</p>  <p>Wheels 8psc</p>	<p>N</p>  <p>MAGNETIC LATCH 3pcs</p>	<p>O</p>  <p>Hinge 60mm 6pcs</p>
<p>P</p>  <p>#4 x 15 mm Wood Screws 32pcs</p>		





Assembly Tools Required (Not Included)

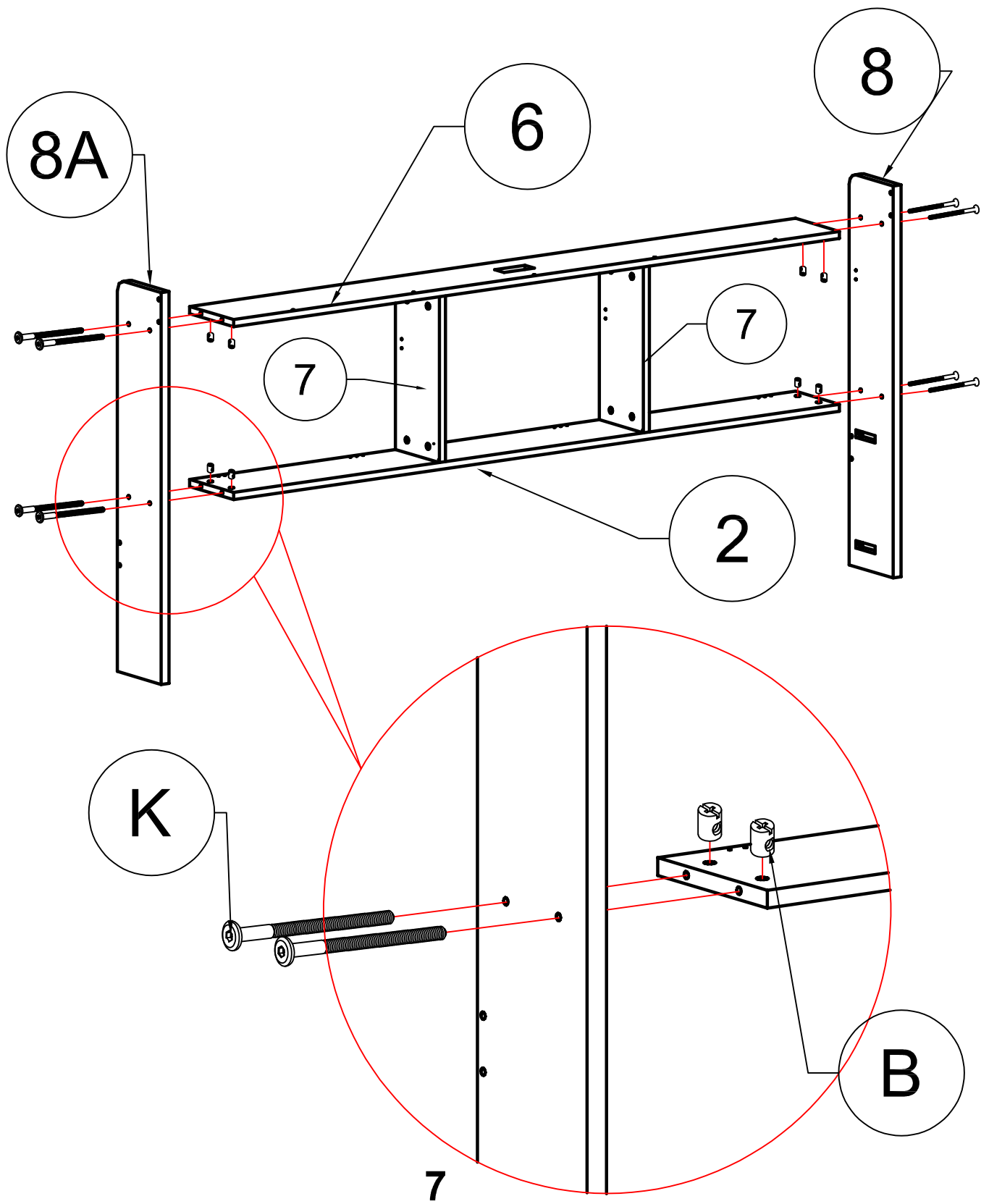
STEP 1: Following below illustration:

C	H
	
8pcs	8pcs








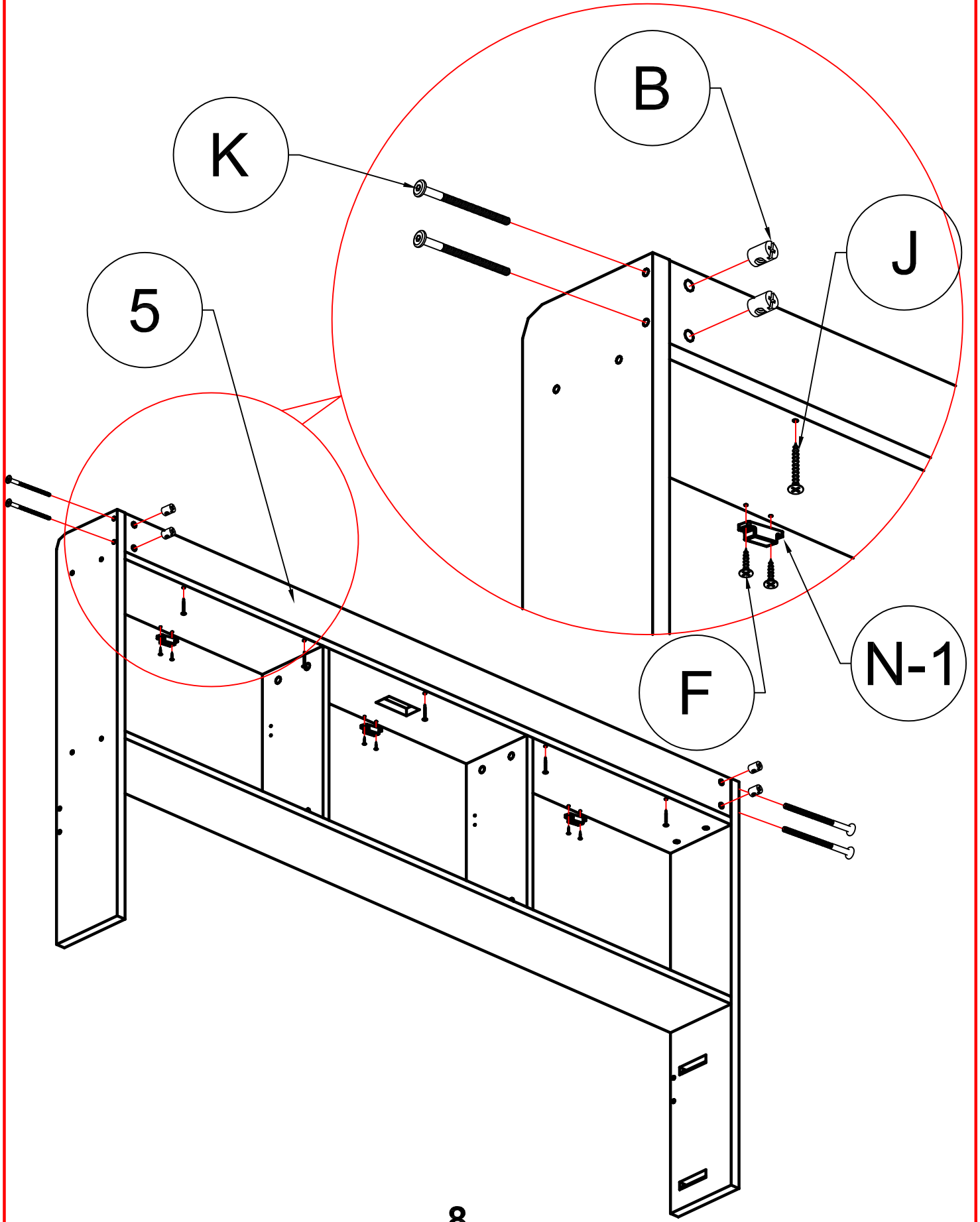
STEP 2: Following below illustration:

K 	B 
8pcs	8pcs





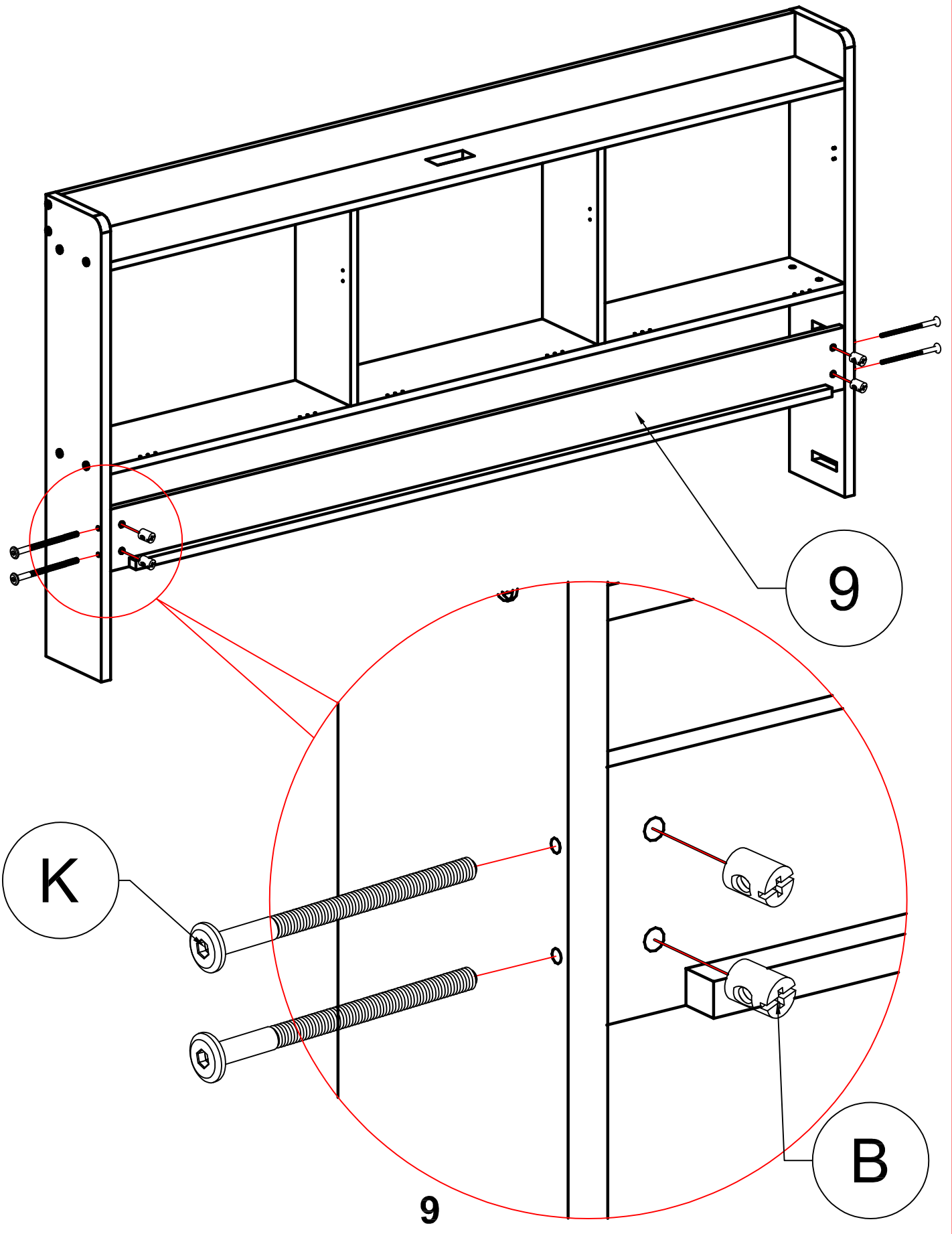
STEP 3: Following below illustration:

N-1	F	J	K	B
				
3pcs	6pcs	5pcs	4pcs	4pcs






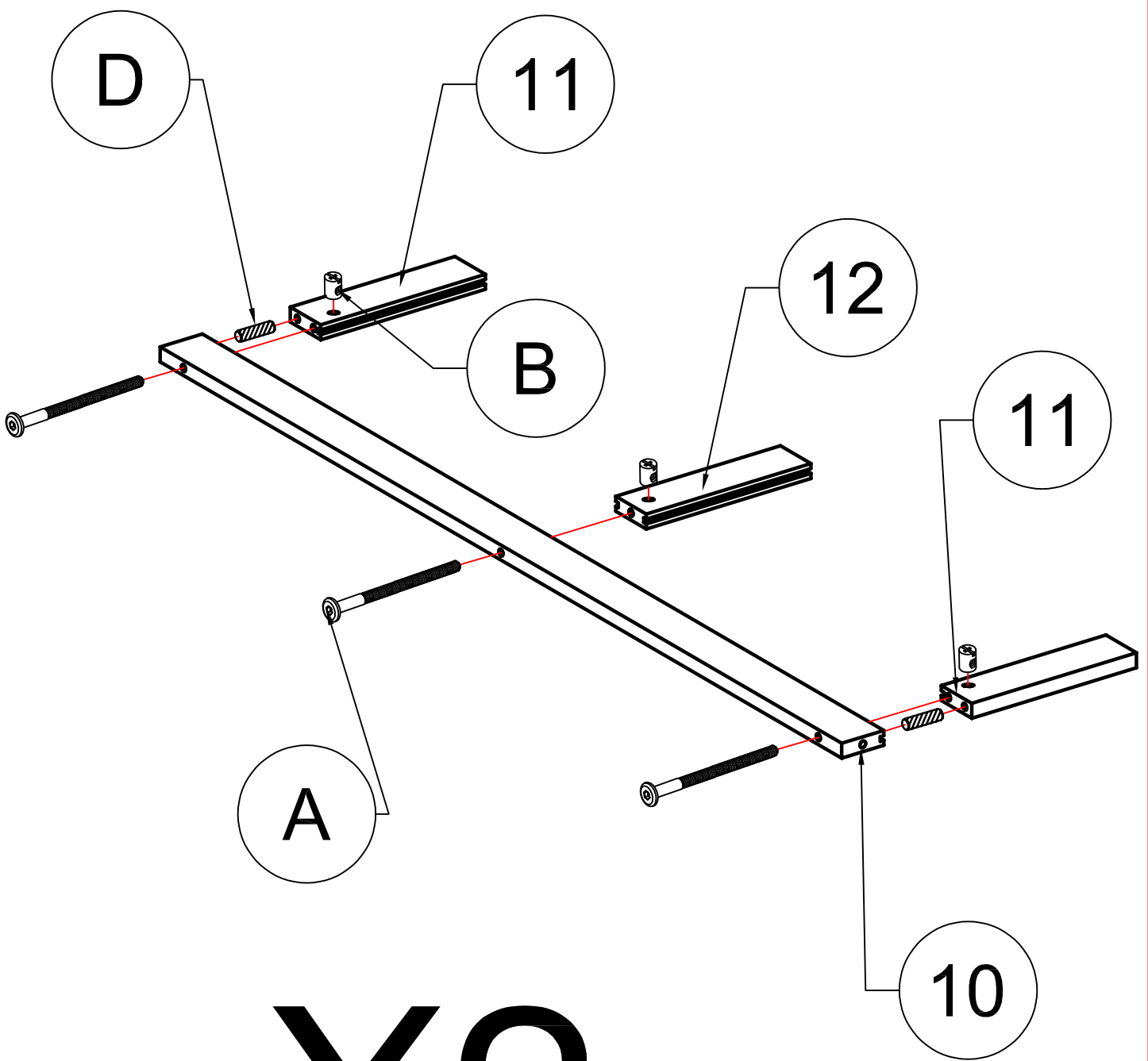
STEP 4: Following below illustration:

K	B
	
4pcs	4pcs



STEP 5: Following below illustration:

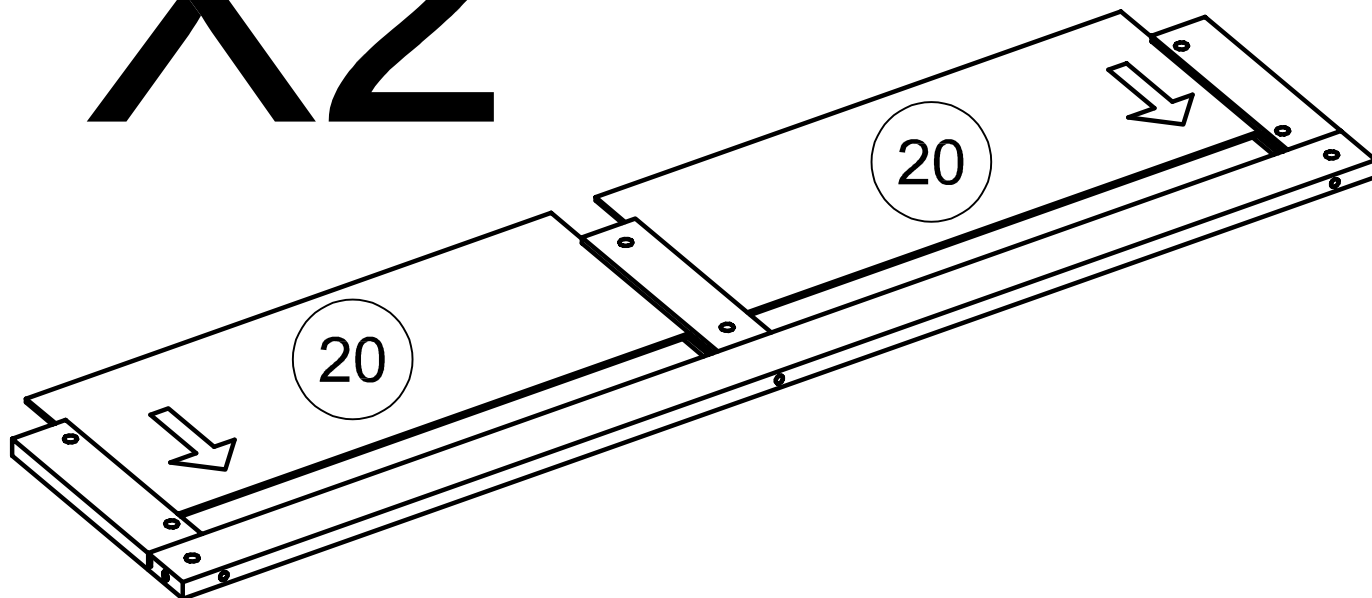
D	A	B
		
4pcs	6pcs	6pcs






X2

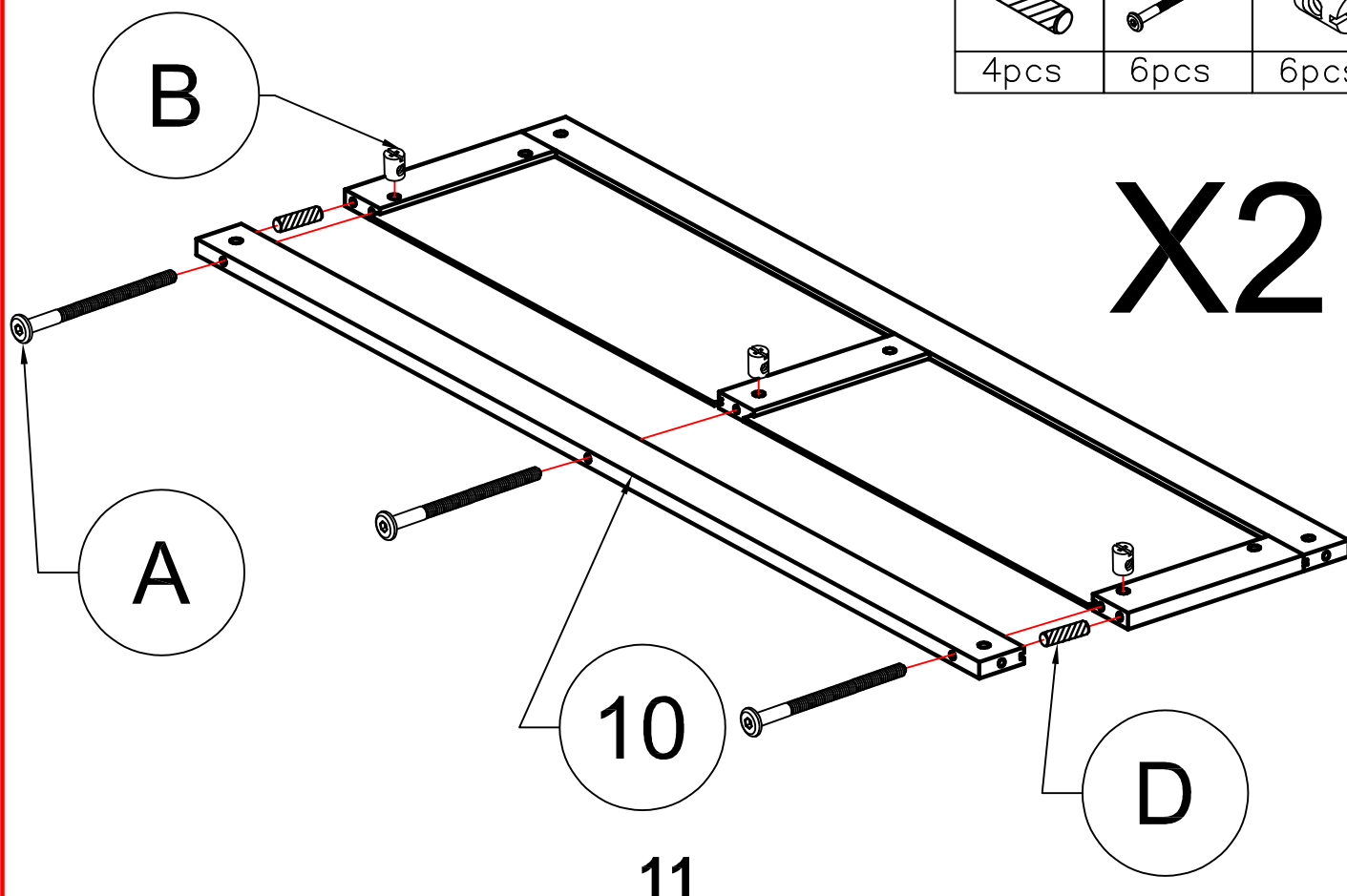
STEP 6.1: Following below illustration:

X2





STEP 6.2: Following below illustration:

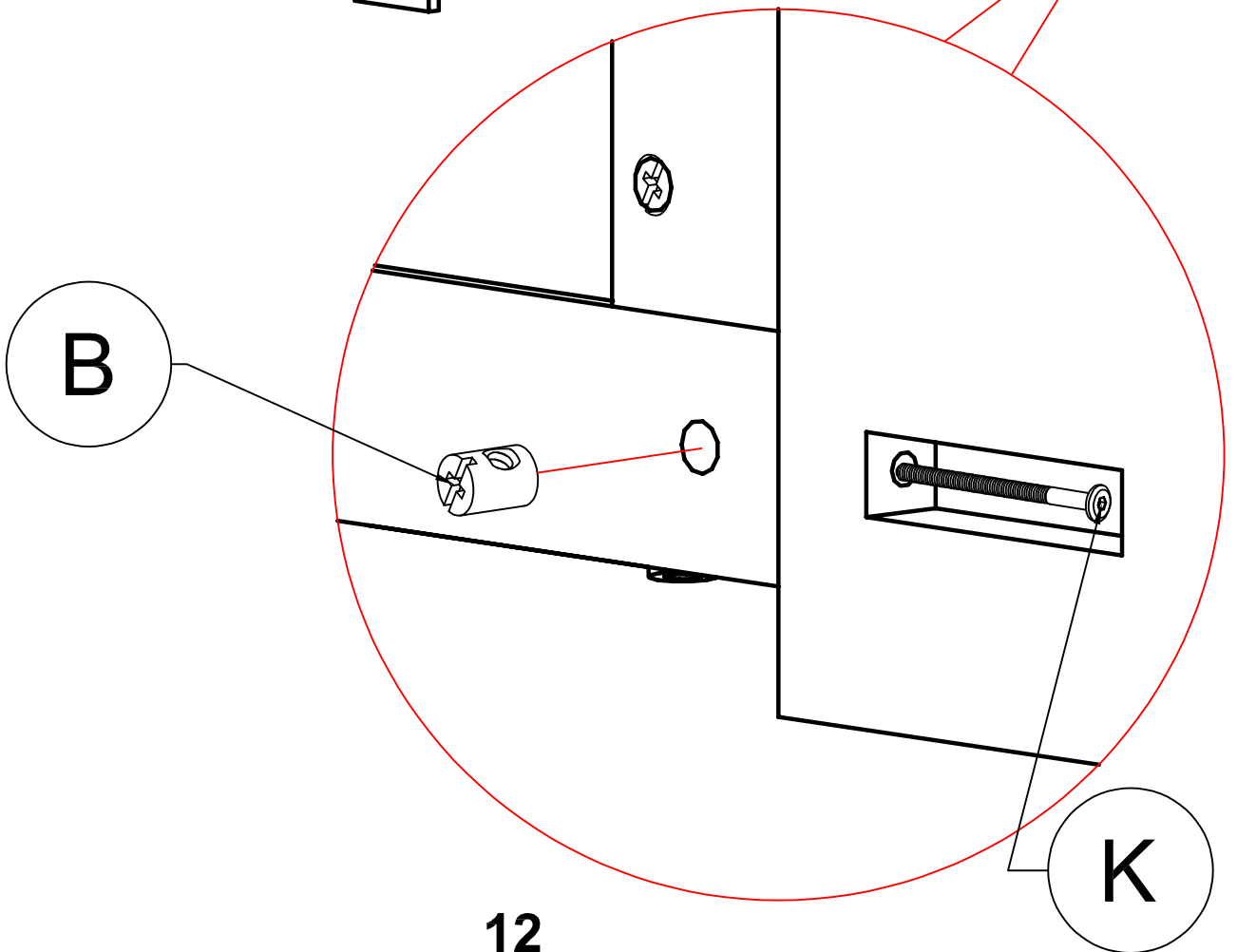
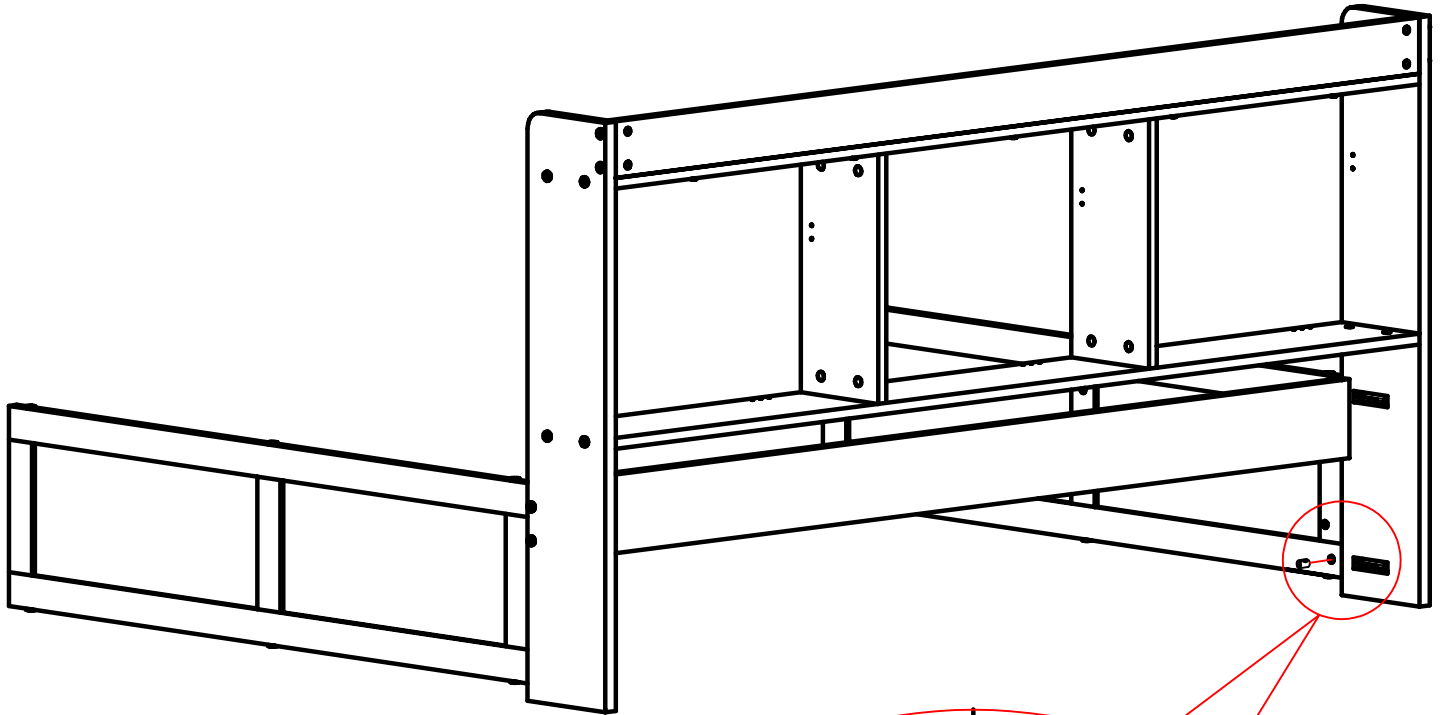
D	A	B
		
4pcs	6pcs	6pcs



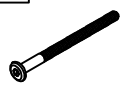

11

STEP 7: Following below illustration:

K	B
	
4pcs	4pcs



STEP 8: Following below illustration:

K	B
	
4pcs	4pcs

9

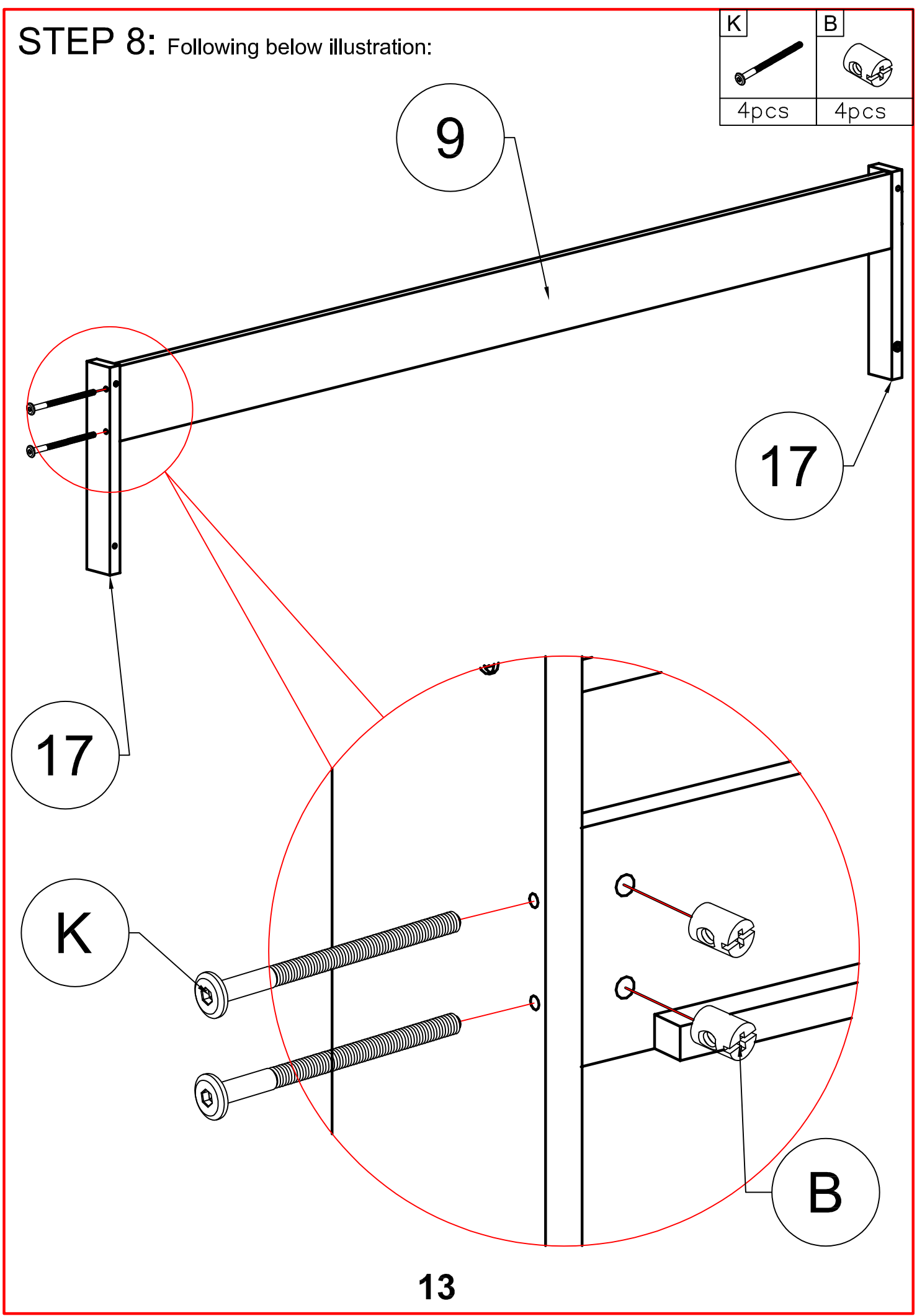
17

17



K

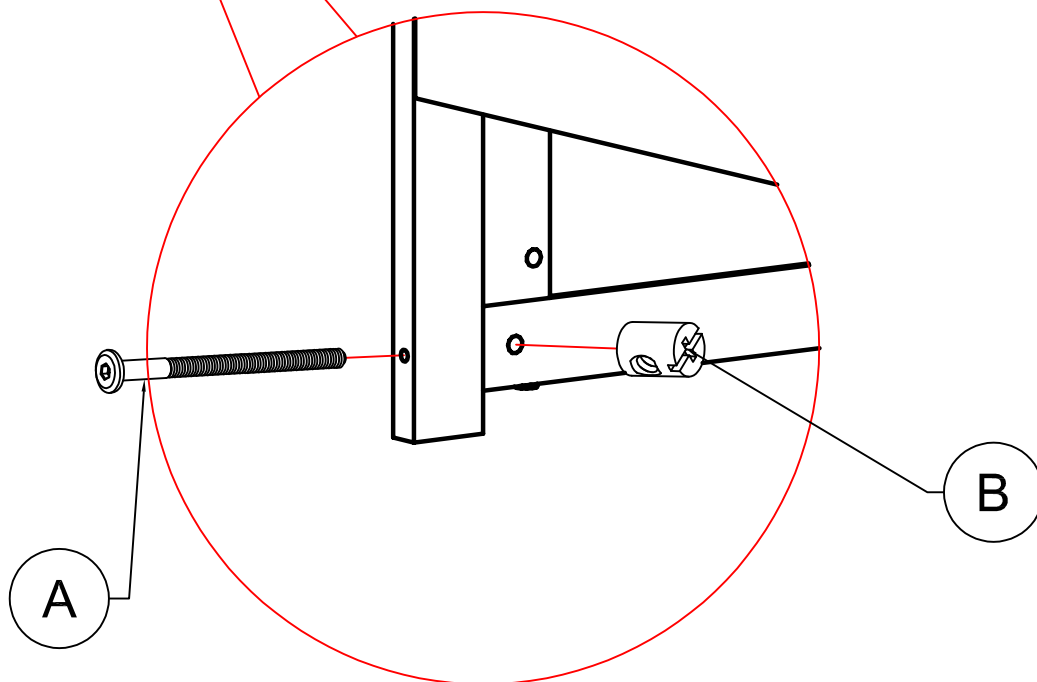
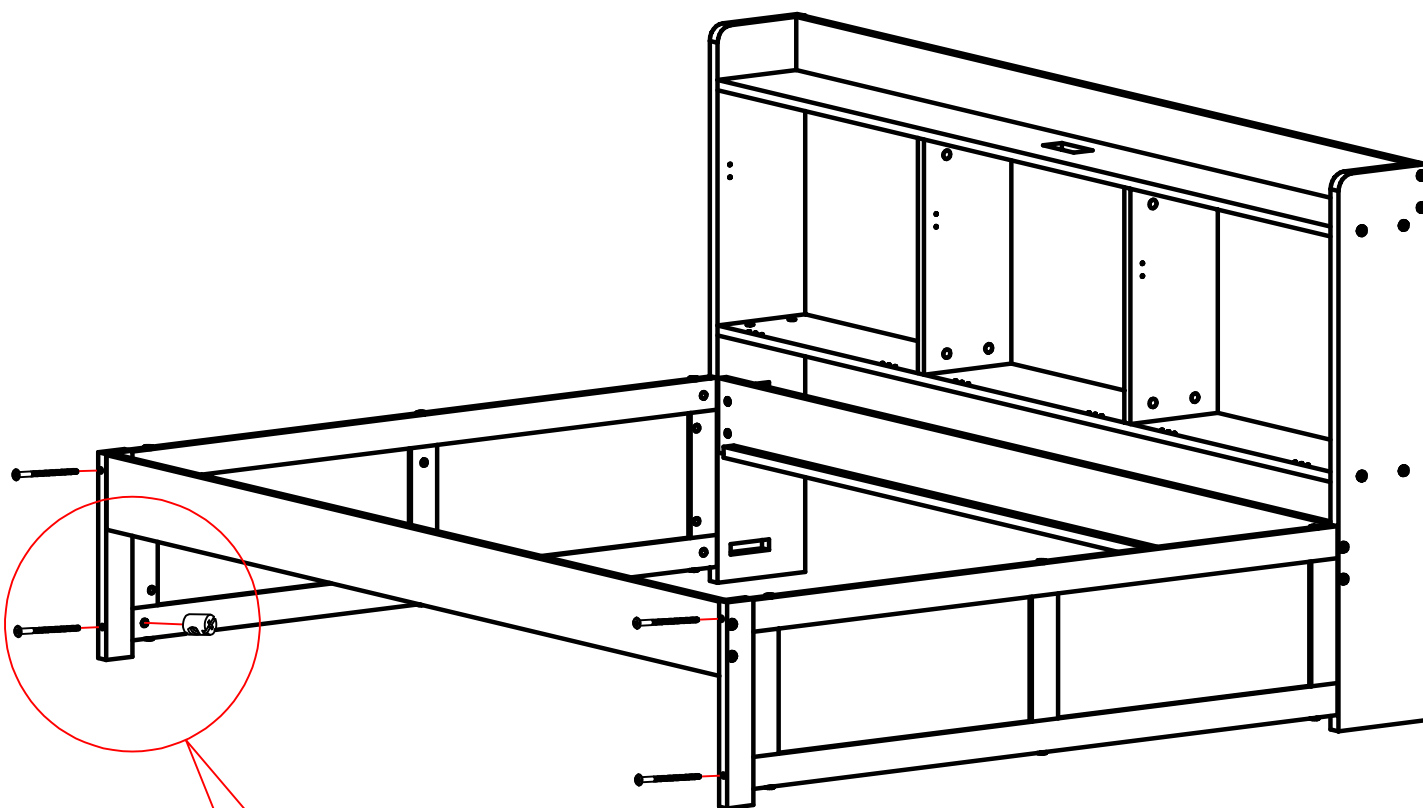
B

13

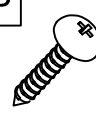

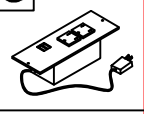


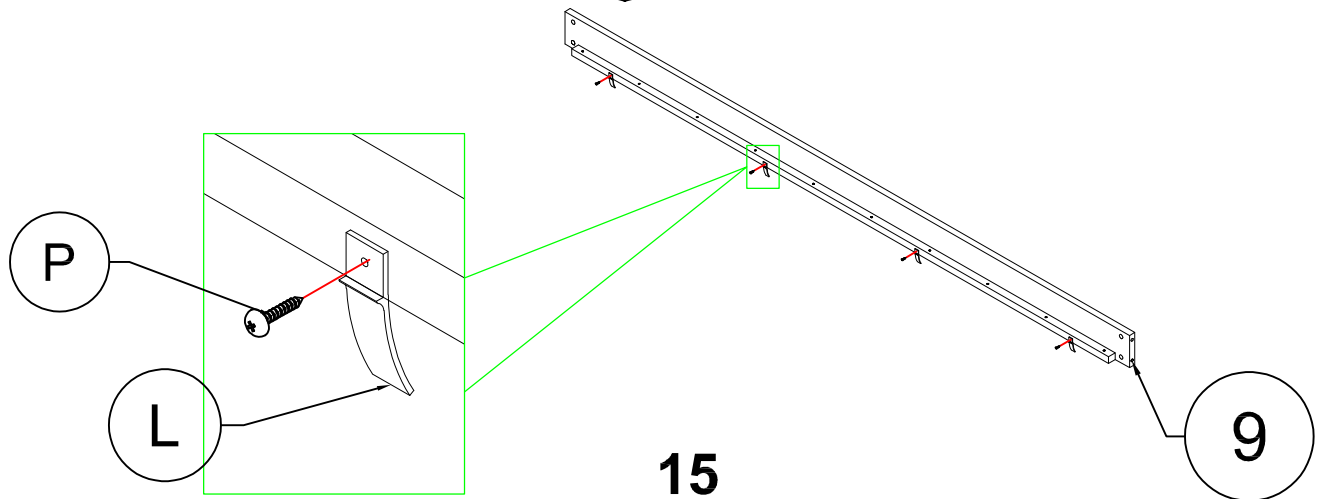
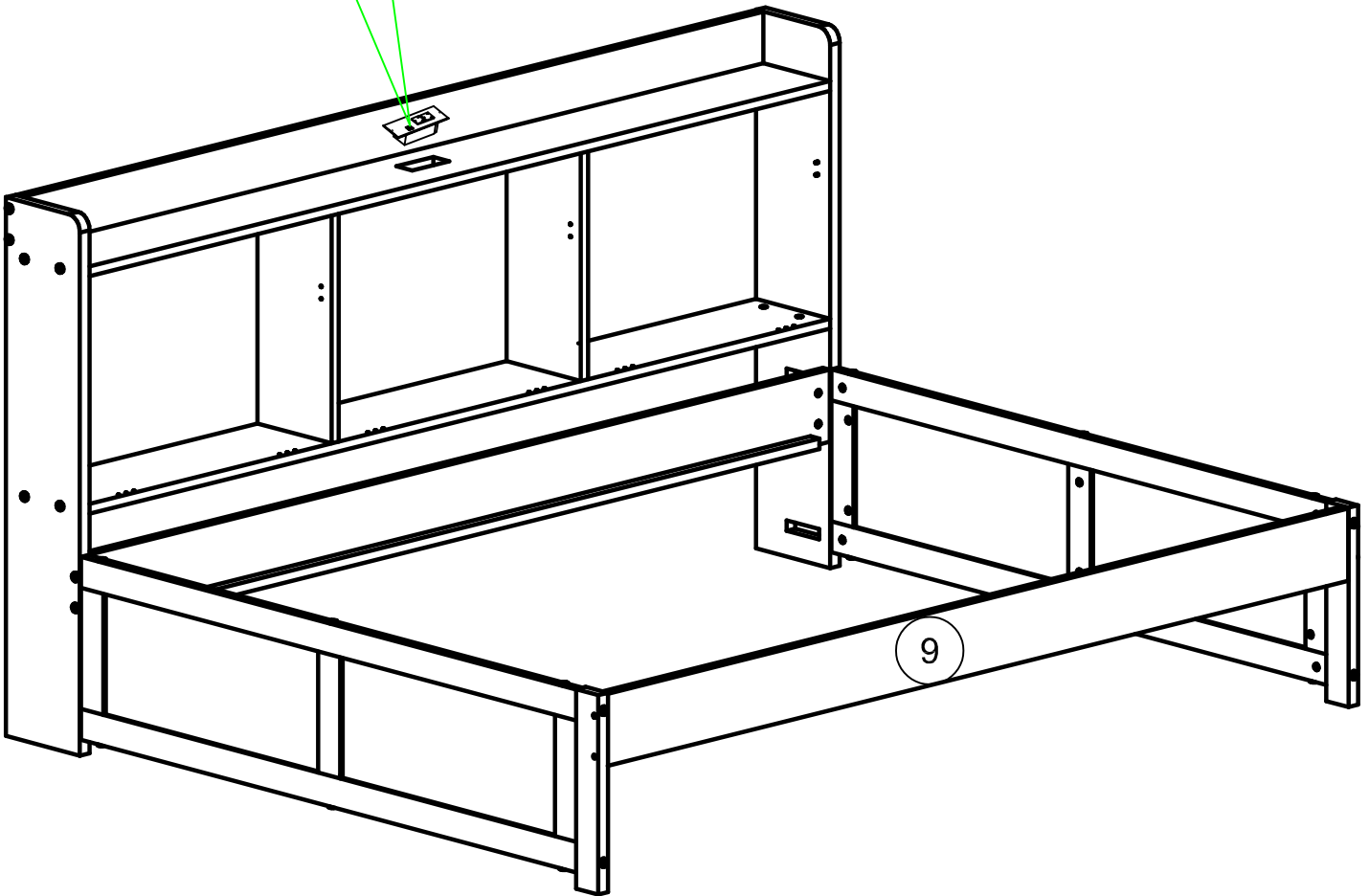
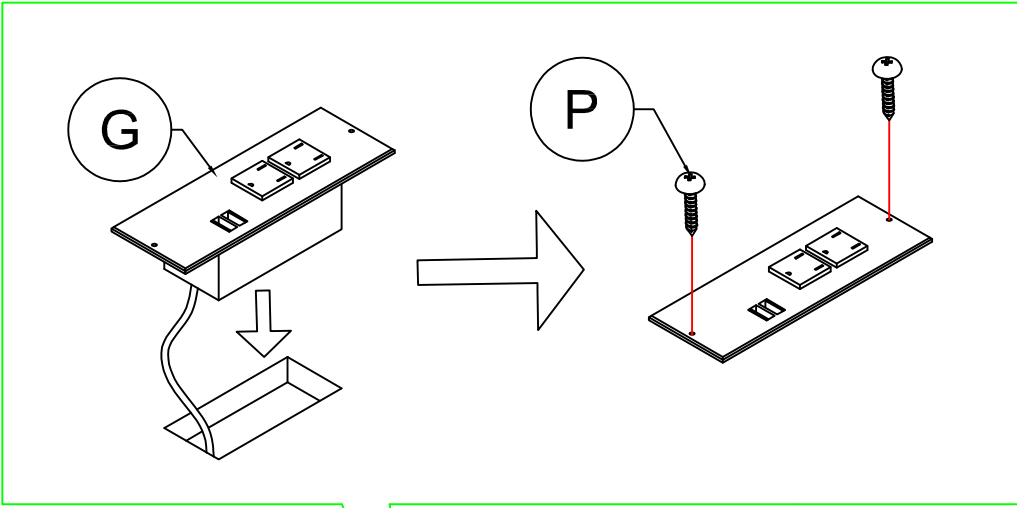
STEP 9: Following below illustration:

A 	B 
4pcs	4pcs



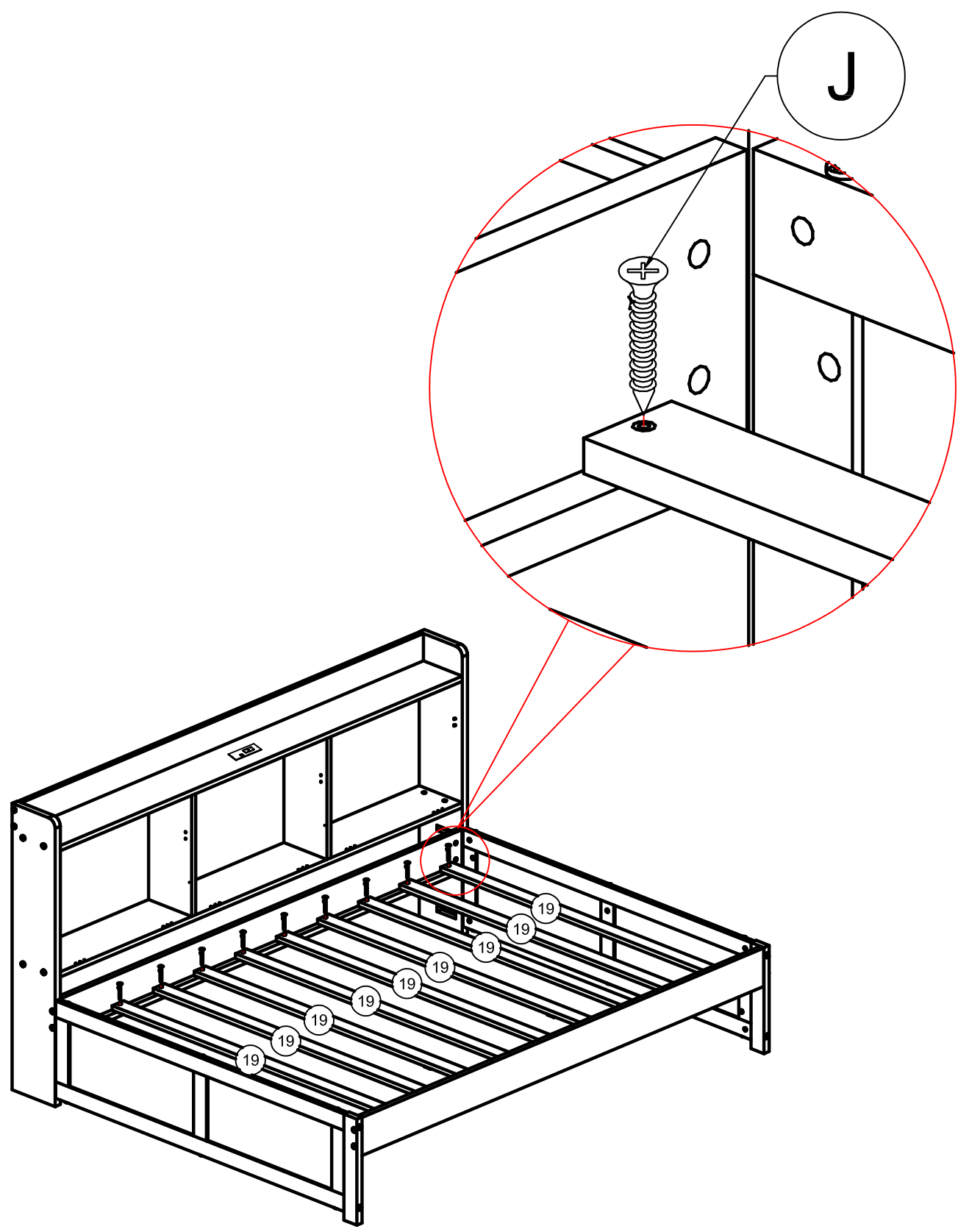
STEP 10: Following below illustration:

P		L	
6pcs		4pcs	
		G	
		1pc	

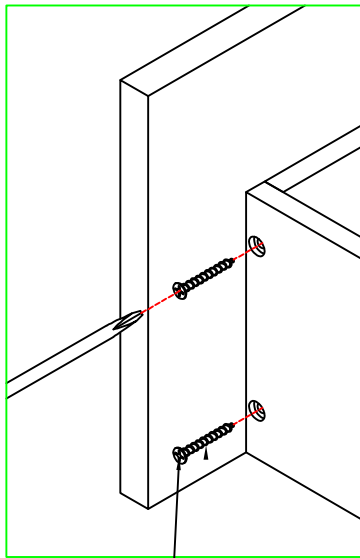


STEP 11: Following below illustration:

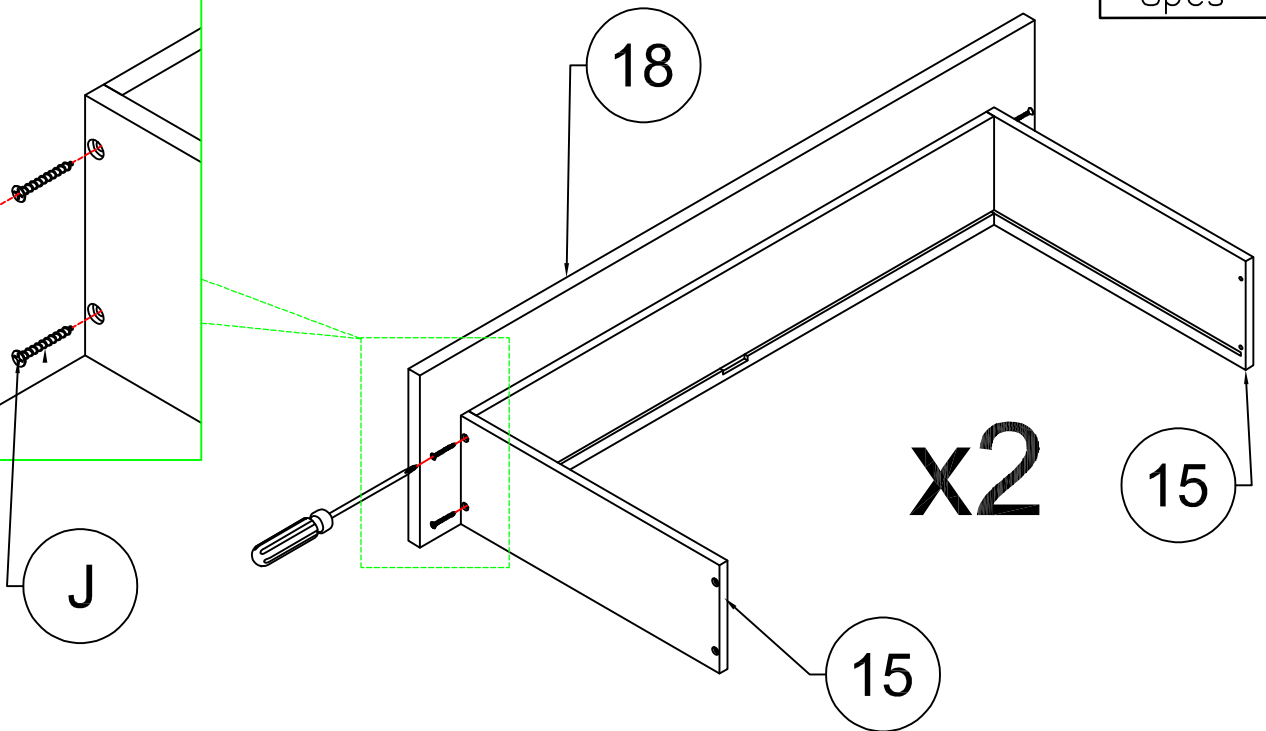
J
20pcs



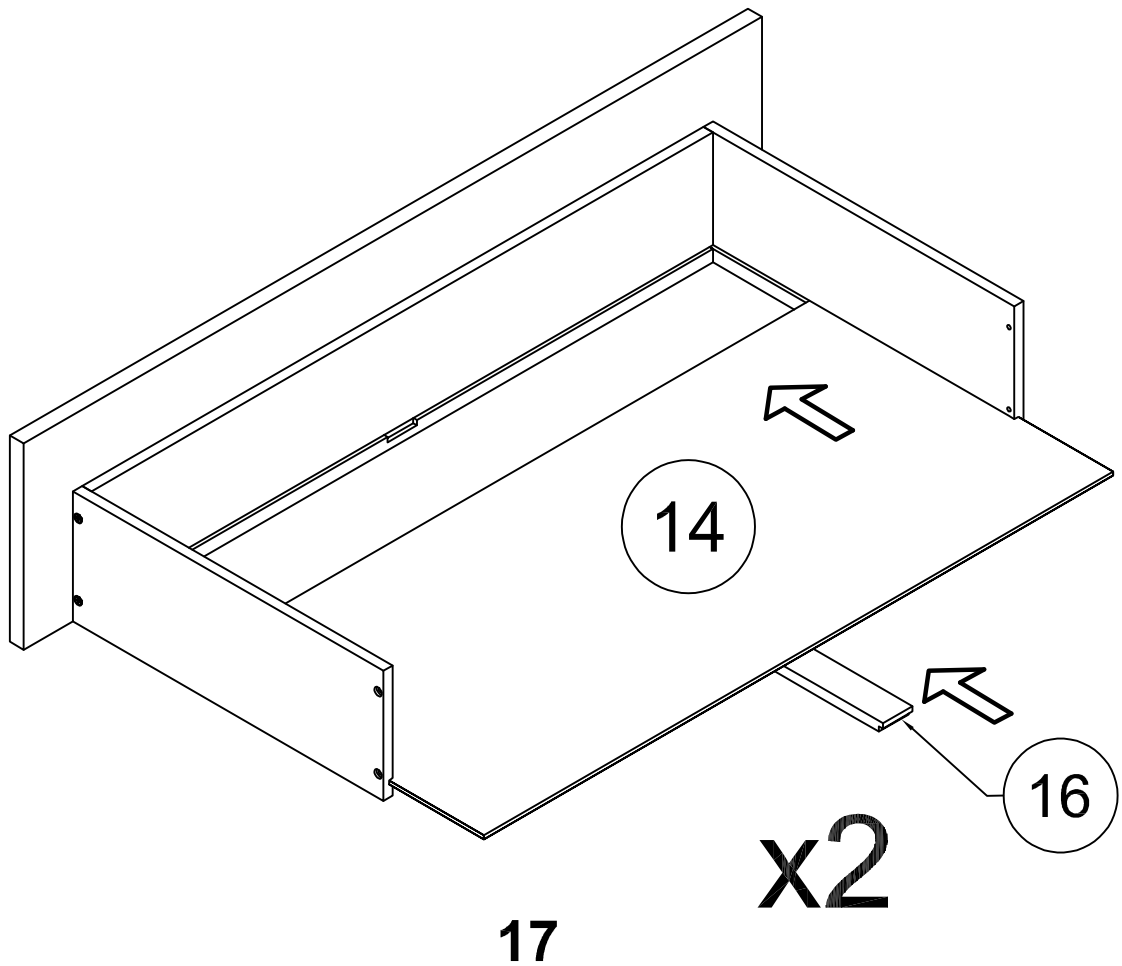
STEP 12: Following below illustration:




J
8pcs



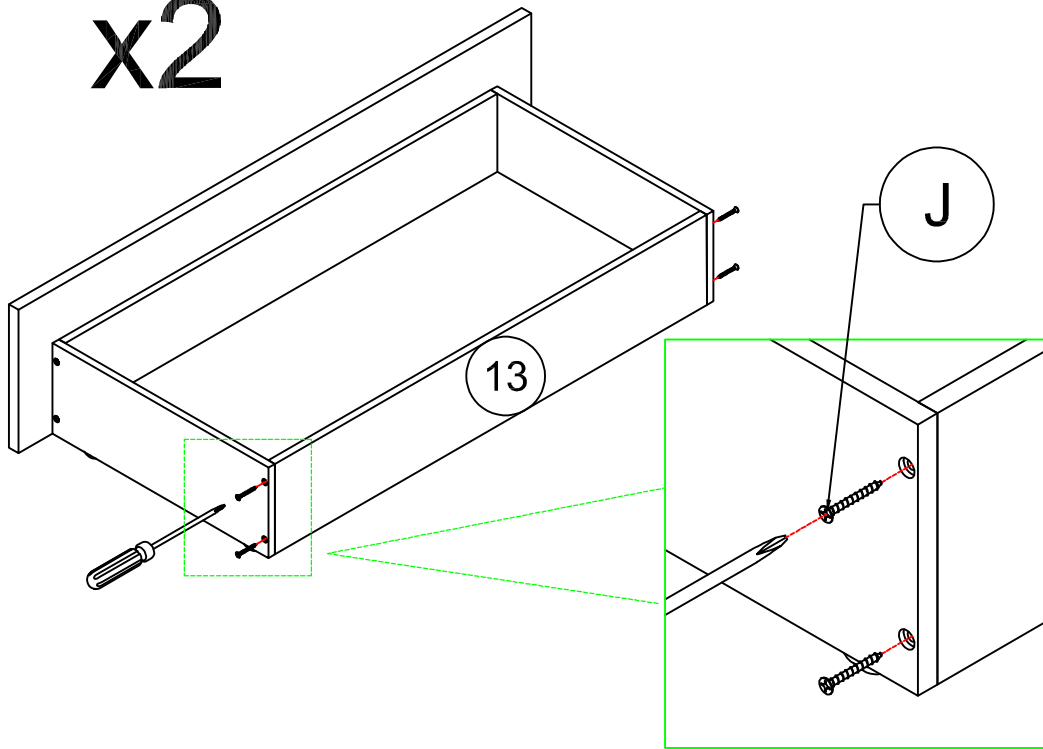
STEP 12.1: Following below illustration:



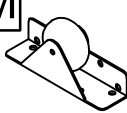

STEP 13: Following below illustration:

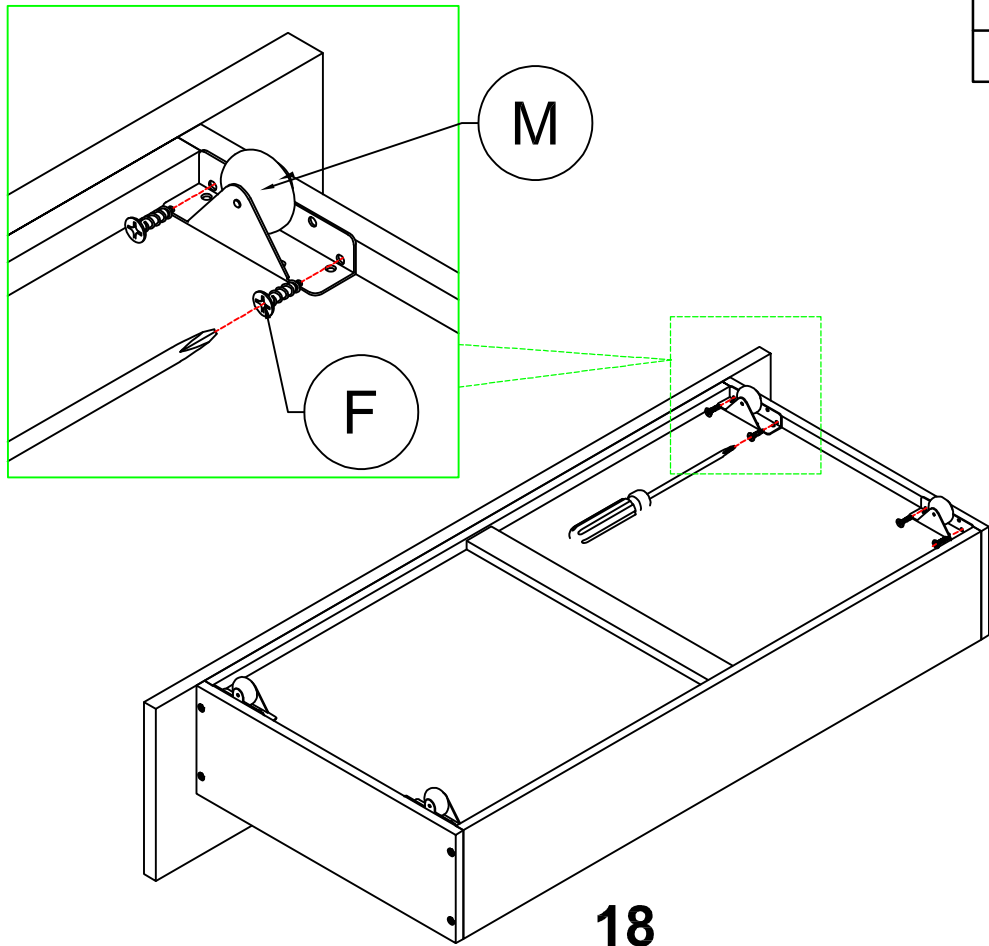
J	
8pcs	

x2



STEP 13.1: Following below illustration:

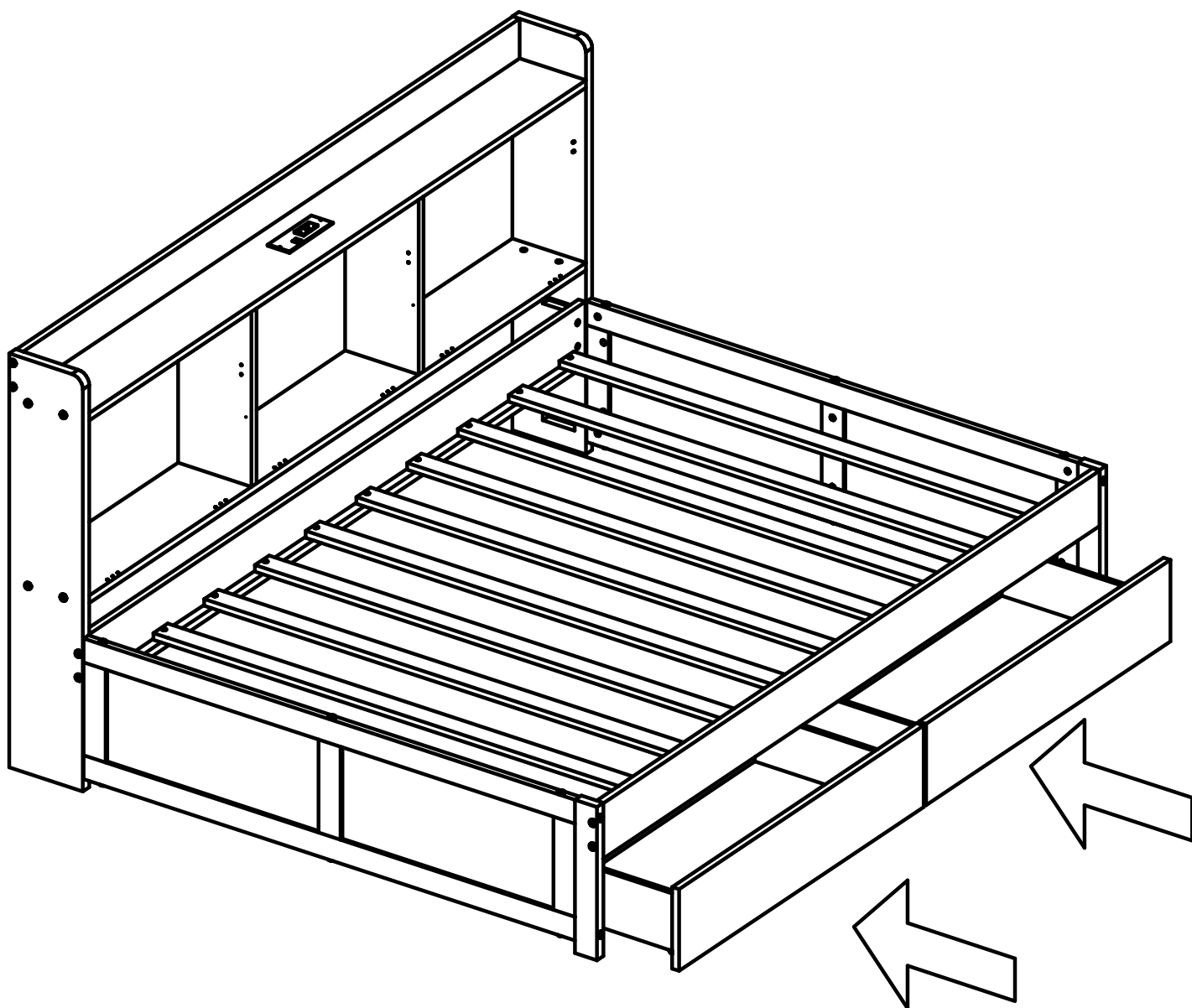
M		F	
8pcs		16pcs	






x2

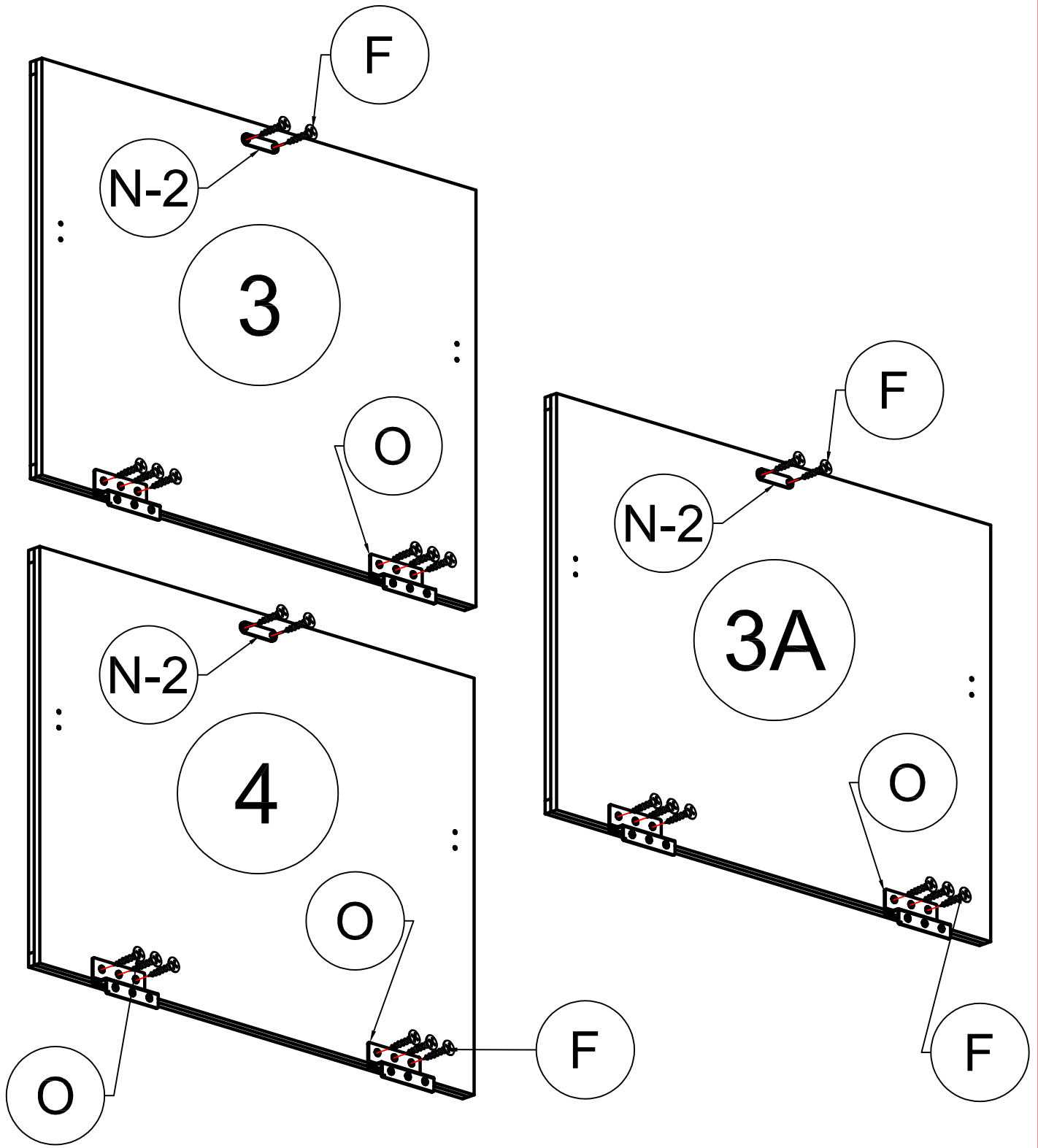
18

STEP 14: Following below illustration:




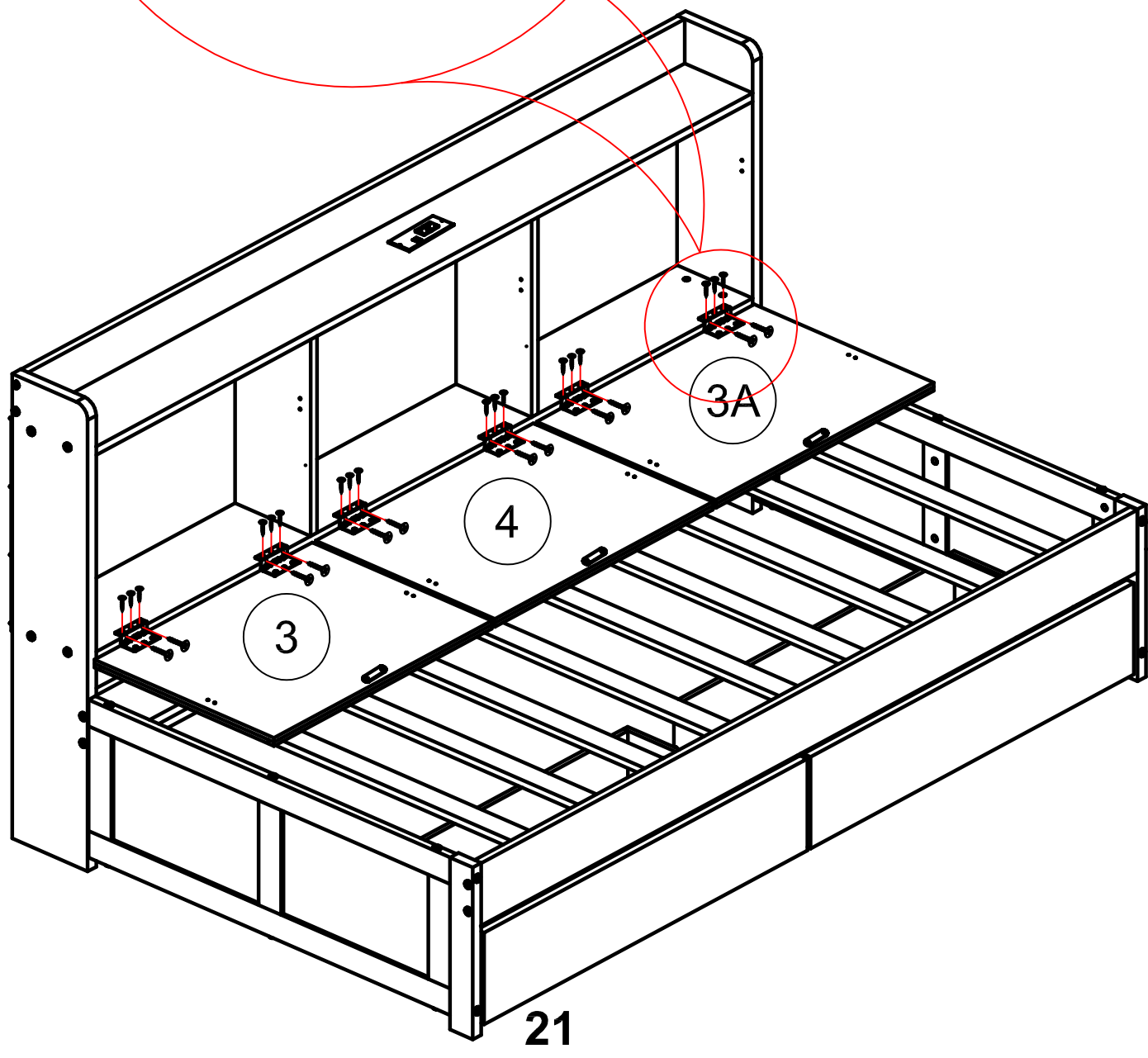
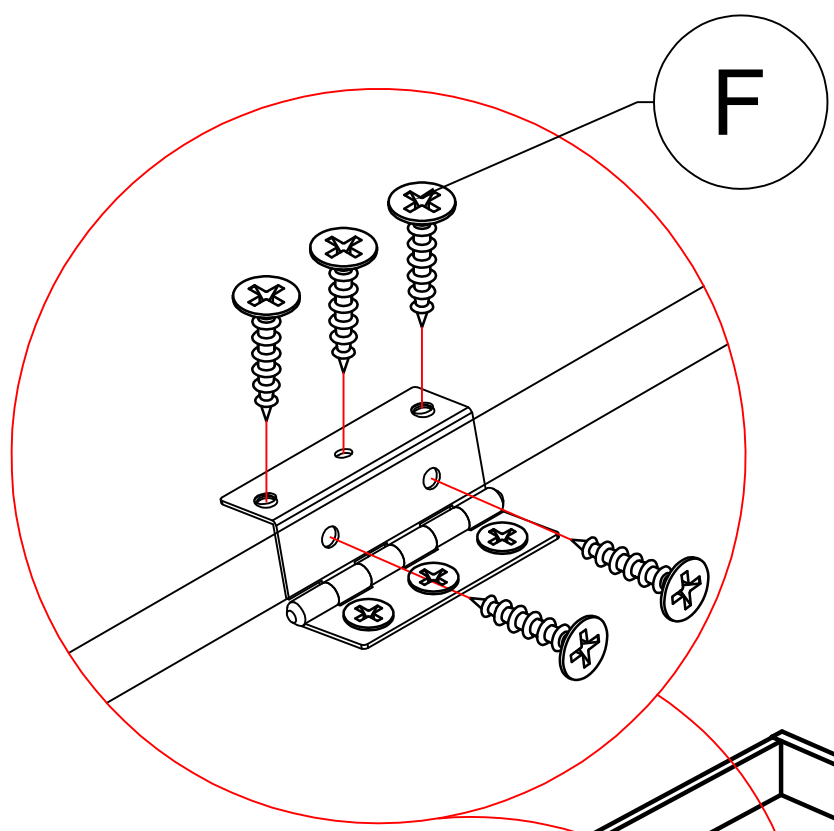
STEP 15: Following below illustration:

O	N-2	F
		
6pcs	3pcs	24pcs

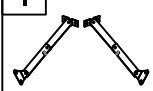



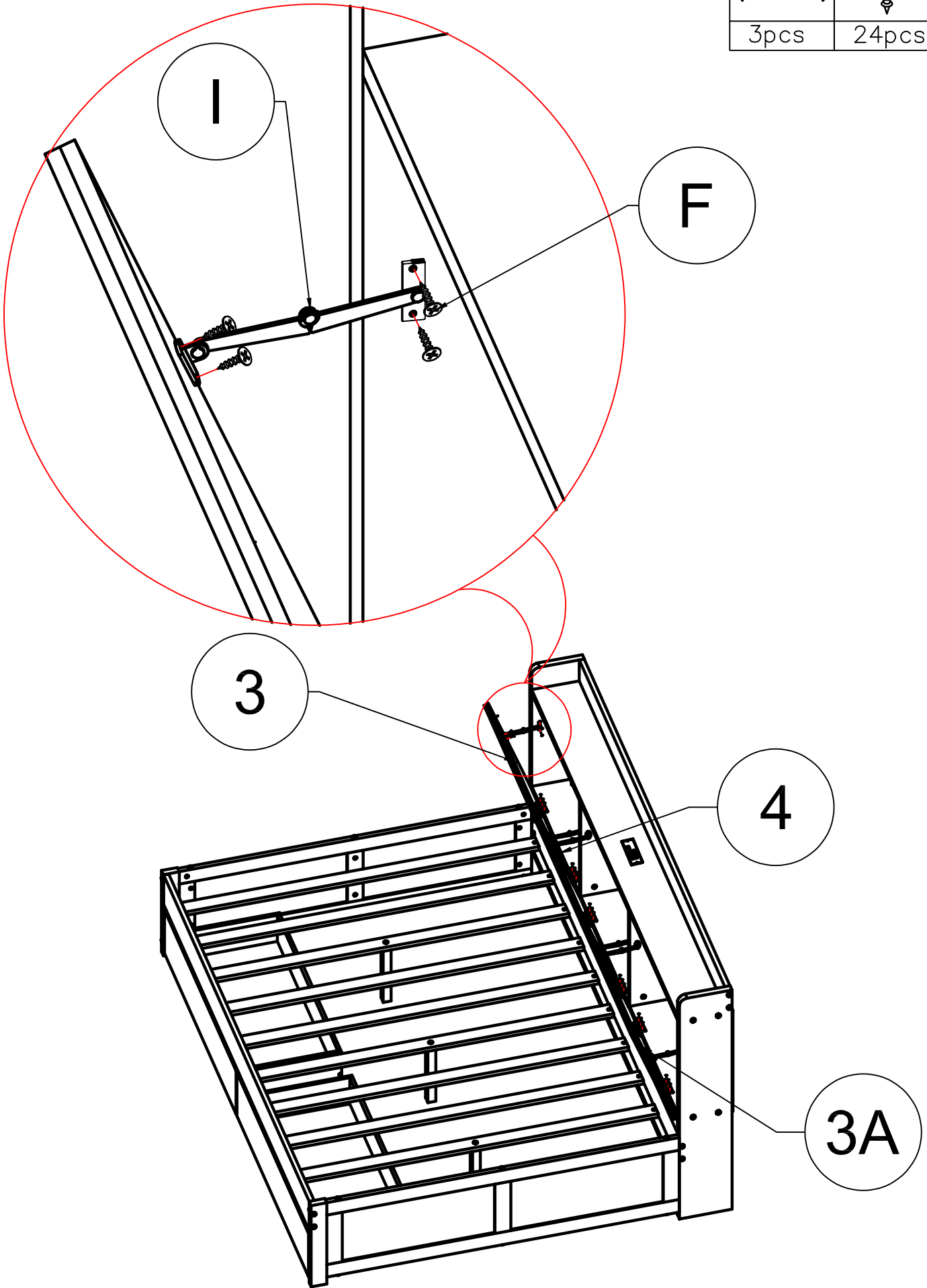
STEP 16: Following below illustration:

F	
30pcs	

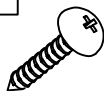


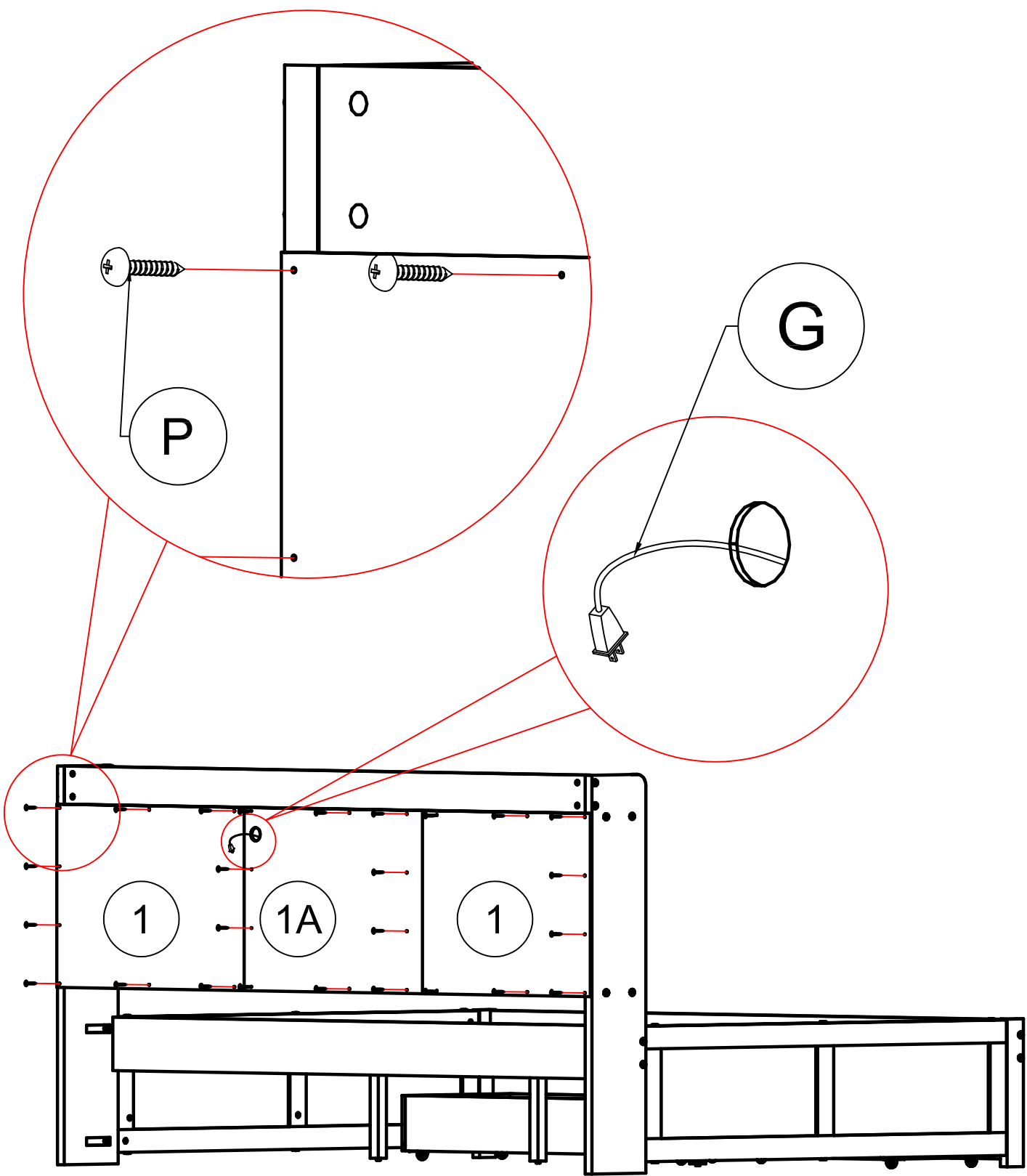
STEP 17: Following below illustration:

I	F
	
3pcs	24pcs



STEP 18: Following below illustration:

P

26pcs



FINISH

