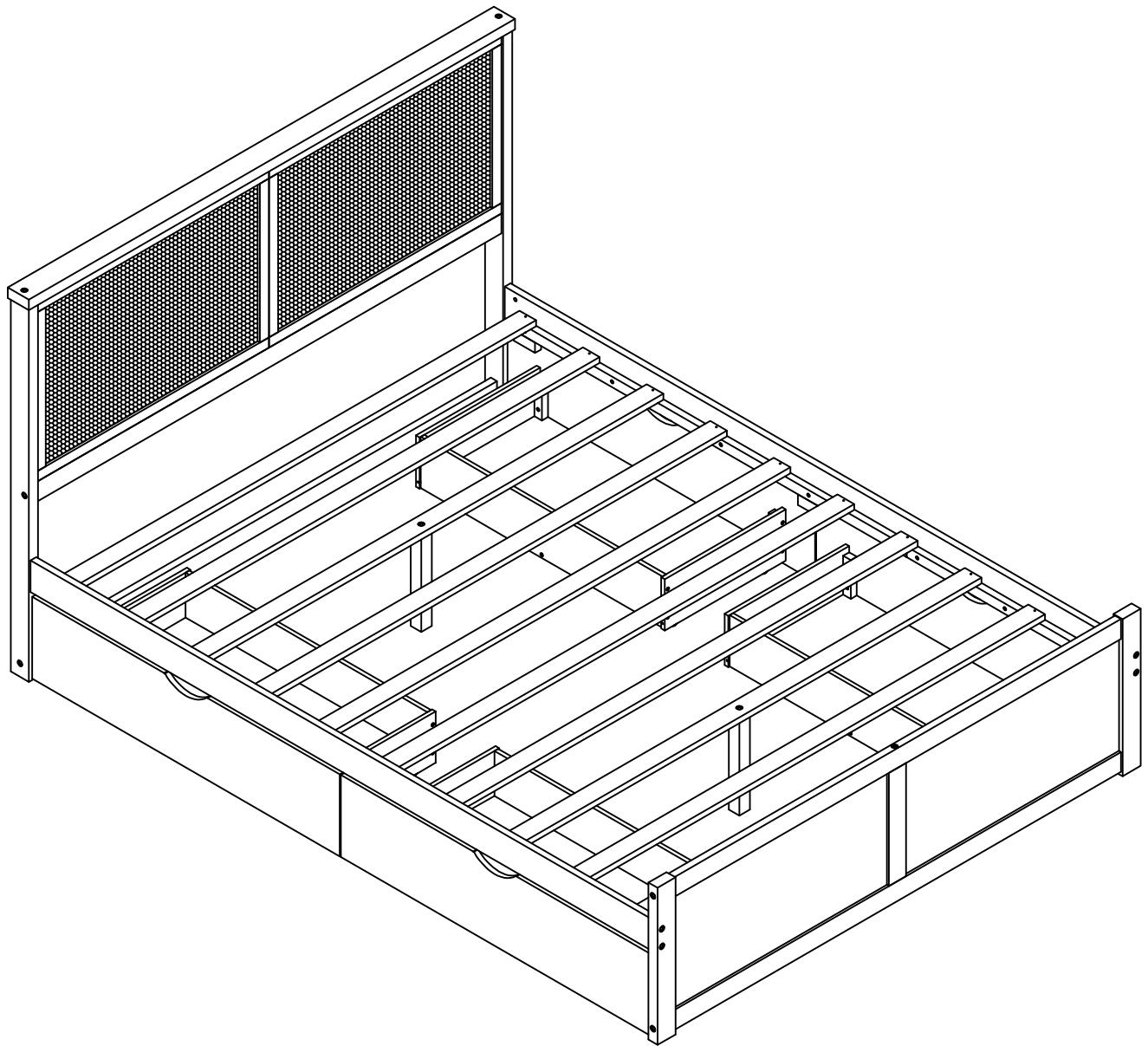
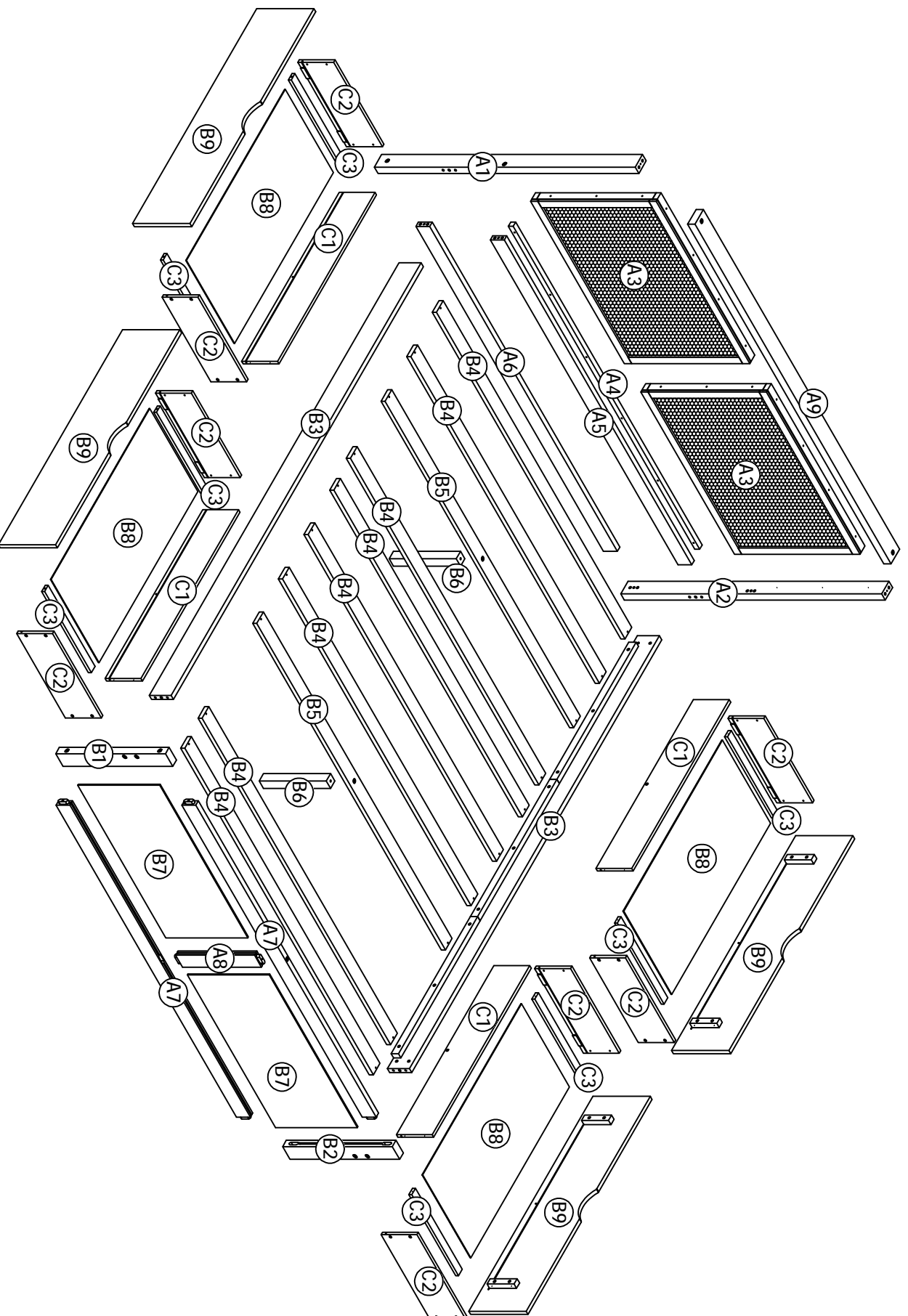


ASSEMBLY INSTRUCTION

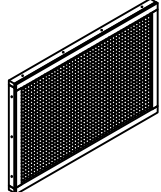
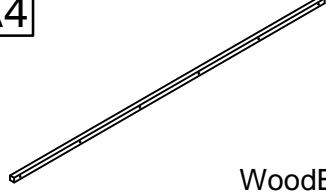

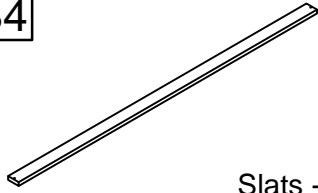
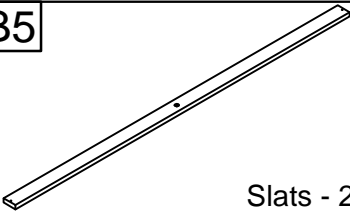
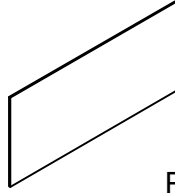
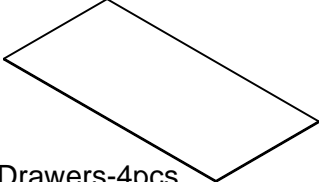
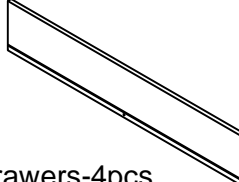
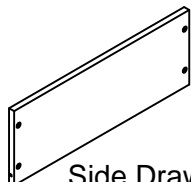
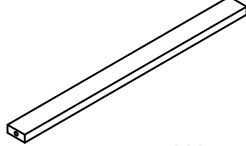
SKU CODE: WF323476-WF323477





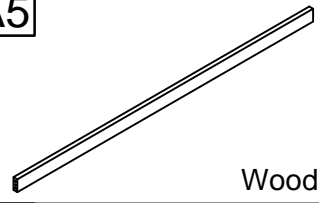
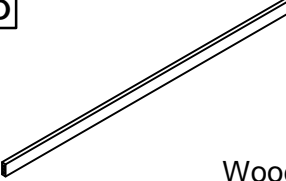

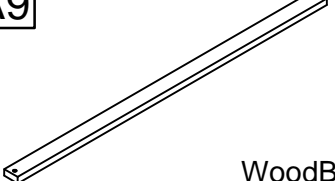


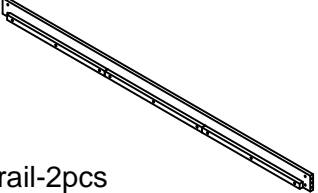

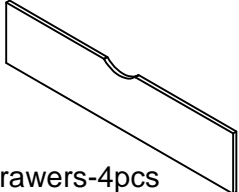
ASSEMBLY INSTRUCTION




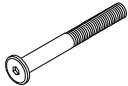
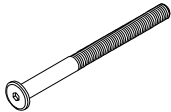
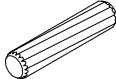
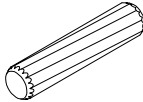

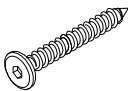
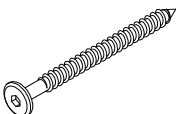

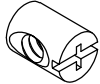
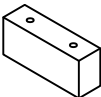
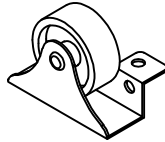


Part List (Box 1-WF323476)

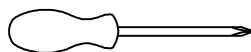
A3  Panel-2pcs	A4  WoodBar-1pc	A8  WoodBar-1pc
B4  Slats - 8pcs	B5  Slats - 2pcs	B7  Panel-2pcs
B8  Bottom Drawers-4pcs	C1  Back Drawers-4pcs	C2  Side Drawers-8pcs
C3  WoodBar-8pcs		

Part List & Hardware List(Box 2-WF323477)

<p>A1</p>  <p>WoodBar-1pc</p>	<p>A2</p>  <p>WoodBar-1pc</p>	<p>A5</p>  <p>WoodBar-1pc</p>
<p>A6</p>  <p>WoodBar-1pc</p>	<p>A7</p>  <p>WoodBar-2pcs</p>	<p>A9</p>  <p>WoodBar-1pc</p>
<p>B1</p>  <p>WoodBar-1pc</p>	<p>B2</p>  <p>WoodBar-1pc</p>	<p>B3</p>  <p>Side rail-2pcs</p>
<p>B6</p>  <p>WoodBar-2pcs</p>	<p>B9</p>  <p>Front Drawers-4pcs</p>	

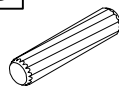
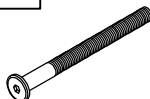

Hardware List (Box 2 - WF323477)

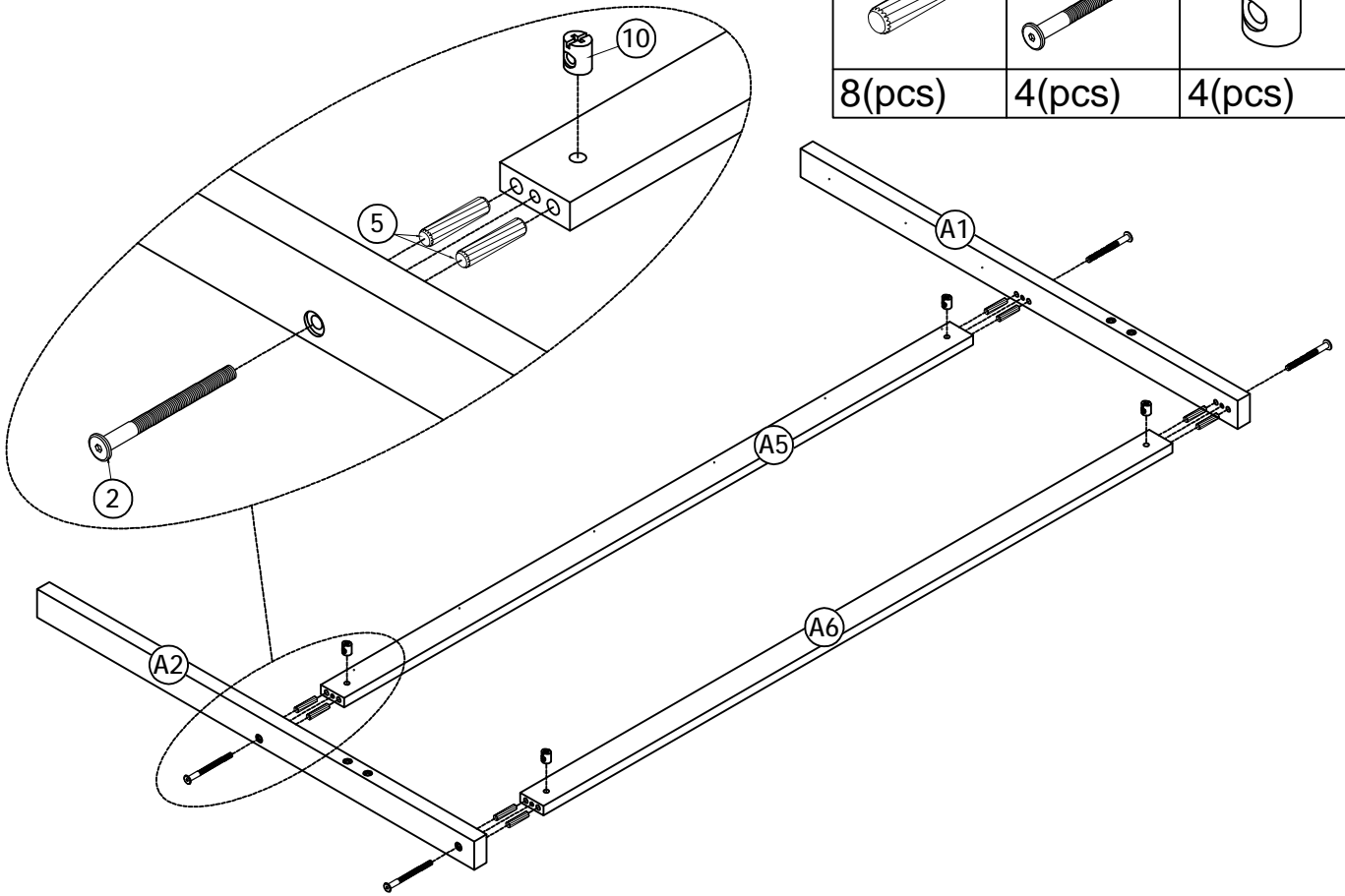
<p>1</p>  <p>Ø1/4" x 30mm Hex-Head bolts 2pcs</p>	<p>2</p>  <p>Ø1/4" x 80 mm Hex-Head bolts 8pcs</p>	<p>3</p>  <p>Ø1/4" x 100 mm Hex-Head bolts 8pcs</p>
<p>4</p>  <p>Ø6 x 30 mm Wood dowel 8pcs</p>	<p>5</p>  <p>Ø10 x 40 mm Wood dowel 16pcs</p>	<p>6</p>  <p>L-Bracket 1*12*25 8pcs</p>
<p>7</p>  <p>Screws 1/4" x 50mm 2pcs</p>	<p>8</p>  <p>Screws 1/4" x 70mm 2pcs</p>	<p>9</p>  <p>Allen Key 1pc</p>
<p>10</p>  <p>Ø1/4" x 13 mm Horizontal-Hole bolts 16pcs</p>	<p>11</p>  <p>Stop wood 6pcs</p>	<p>12</p>  <p>32mm Wheels 16pcs</p>
<p>13</p>  <p>M3.5 x 12mm Wood Screws 80pcs</p>	<p>14</p>  <p>M4 x 30mm Wood Screws 100pcs</p>	



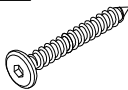

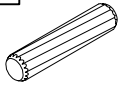
**Assembly Tools Required
(Not Included)**

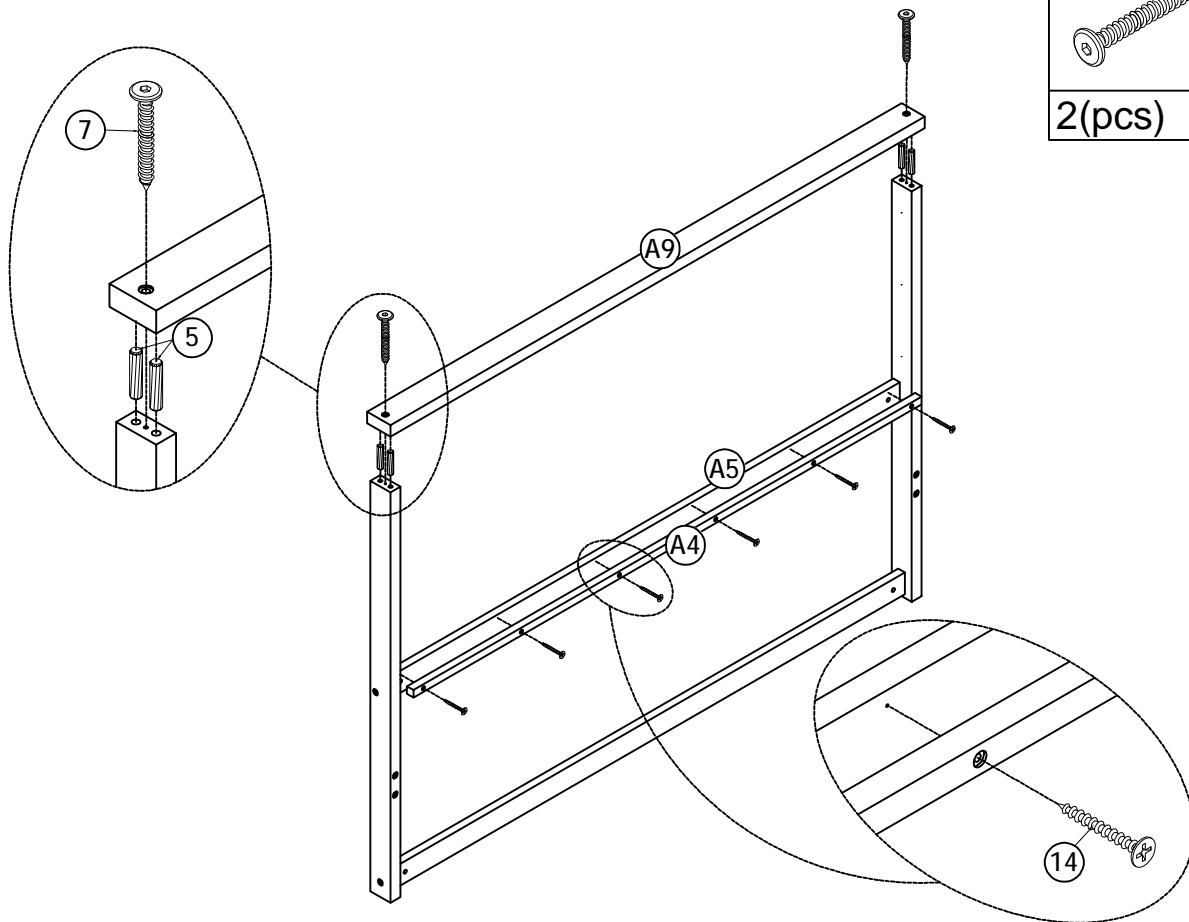
STEP1: Following below illustration.

5	2	10
		
8(pcs)	4(pcs)	4(pcs)

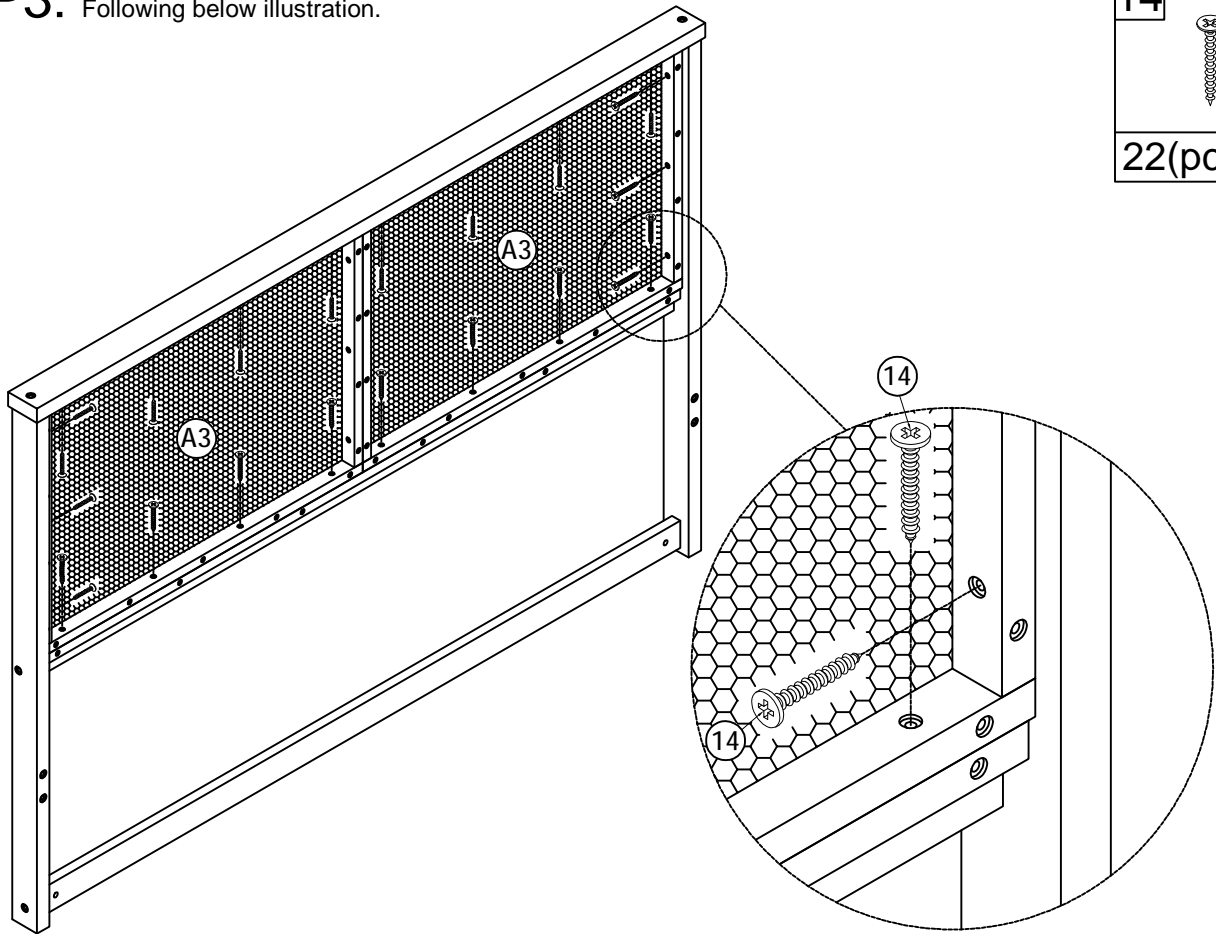


STEP2: Following below illustration.

7	14
	
2(pcs)	6(pcs)
	5
	
	4(pcs)



STEP3: Following below illustration.

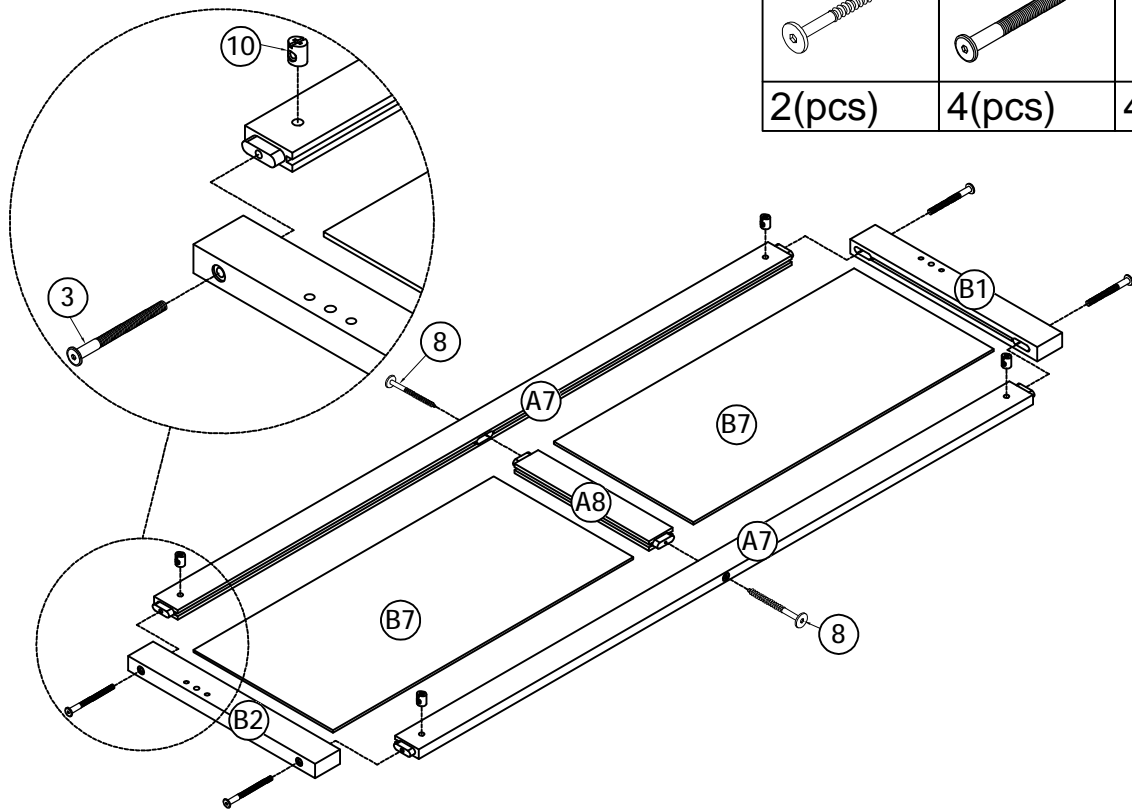


14

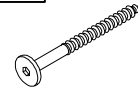


22(pcs)

STEP4: Following below illustration.

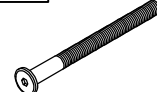


8



2(pcs)

3



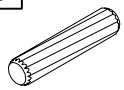
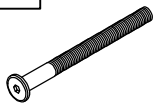

4(pcs)

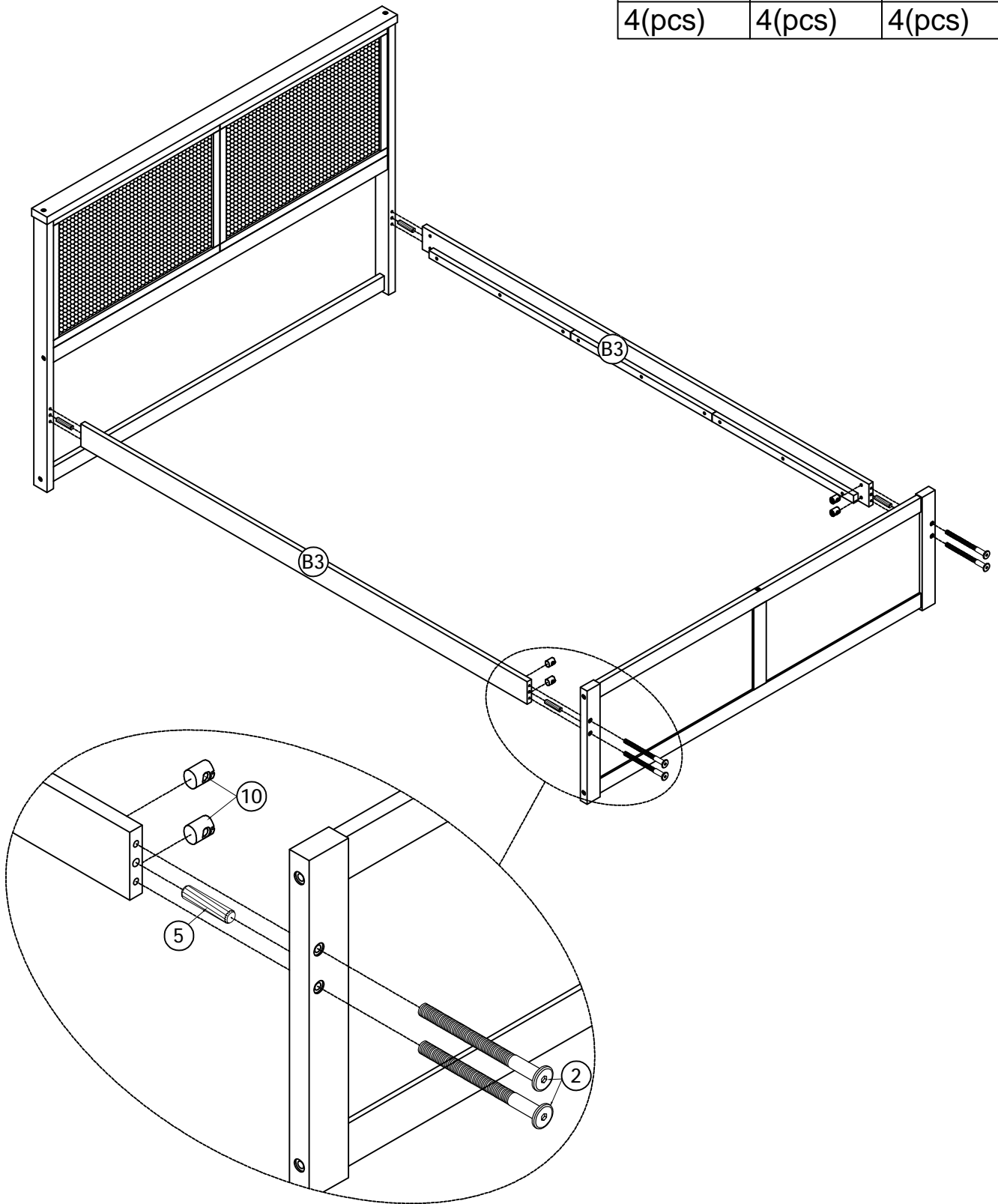
10



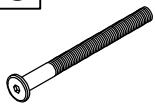

4(pcs)

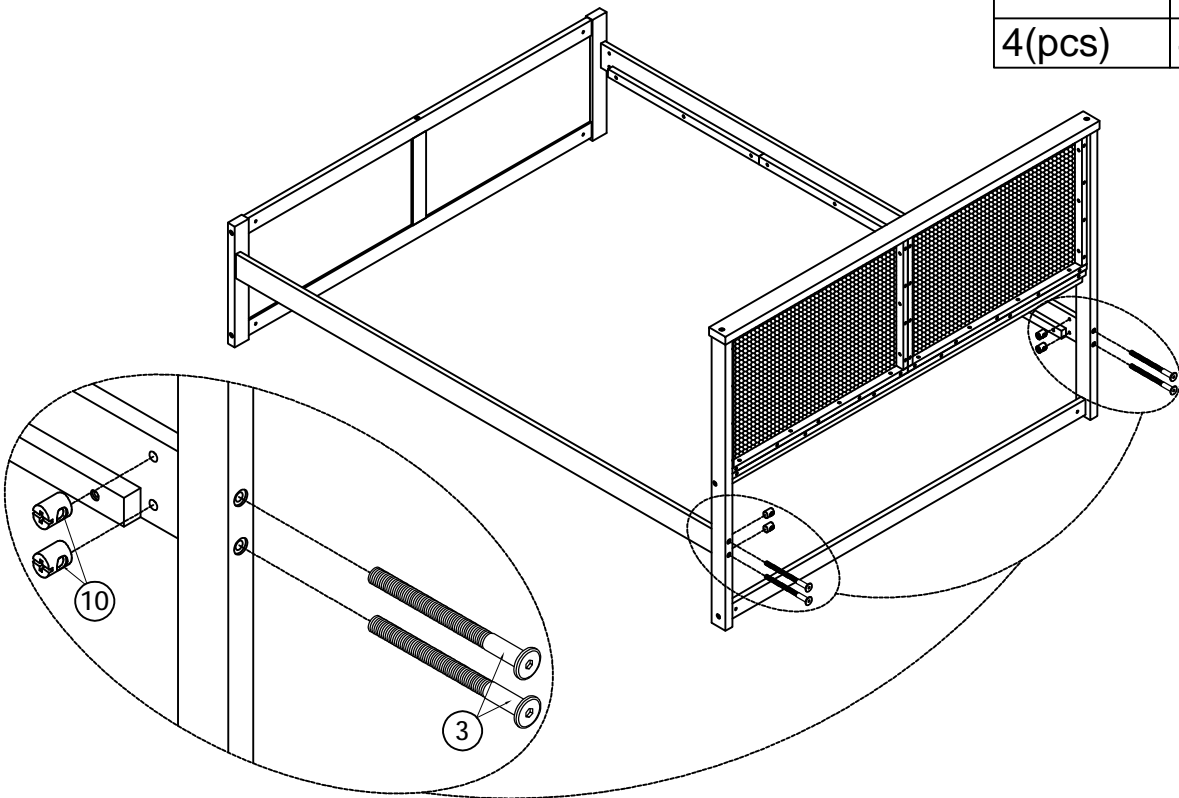
STEP5: Following below illustration.

5		2		10	
4(pcs)		4(pcs)		4(pcs)	

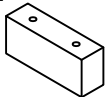
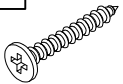


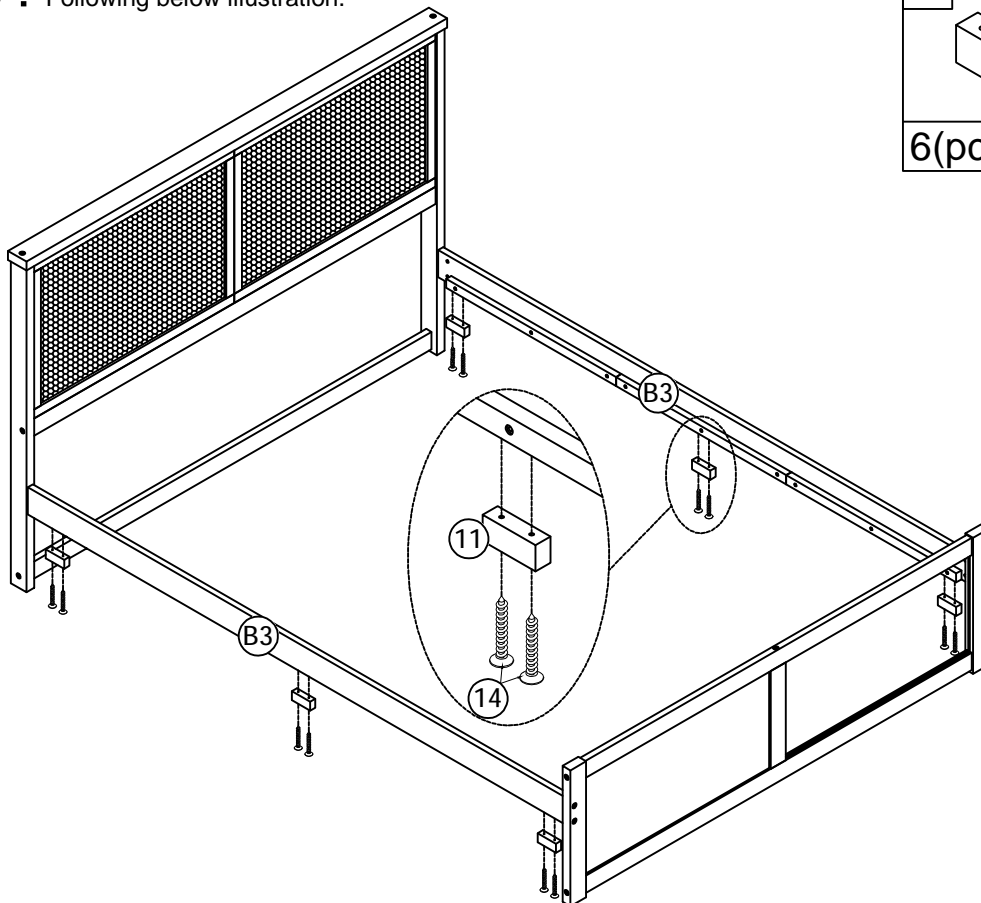
STEP6: Following below illustration.

3	10
	
4(pcs)	4(pcs)

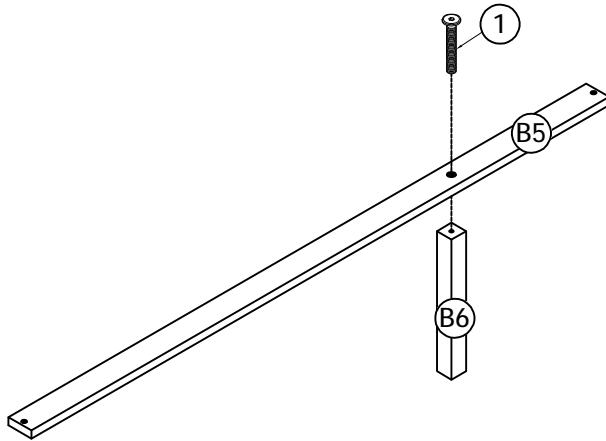


STEP7: Following below illustration.

11	14
	
6(pcs)	12(pcs)



STEP8 x 2: Following below illustration.

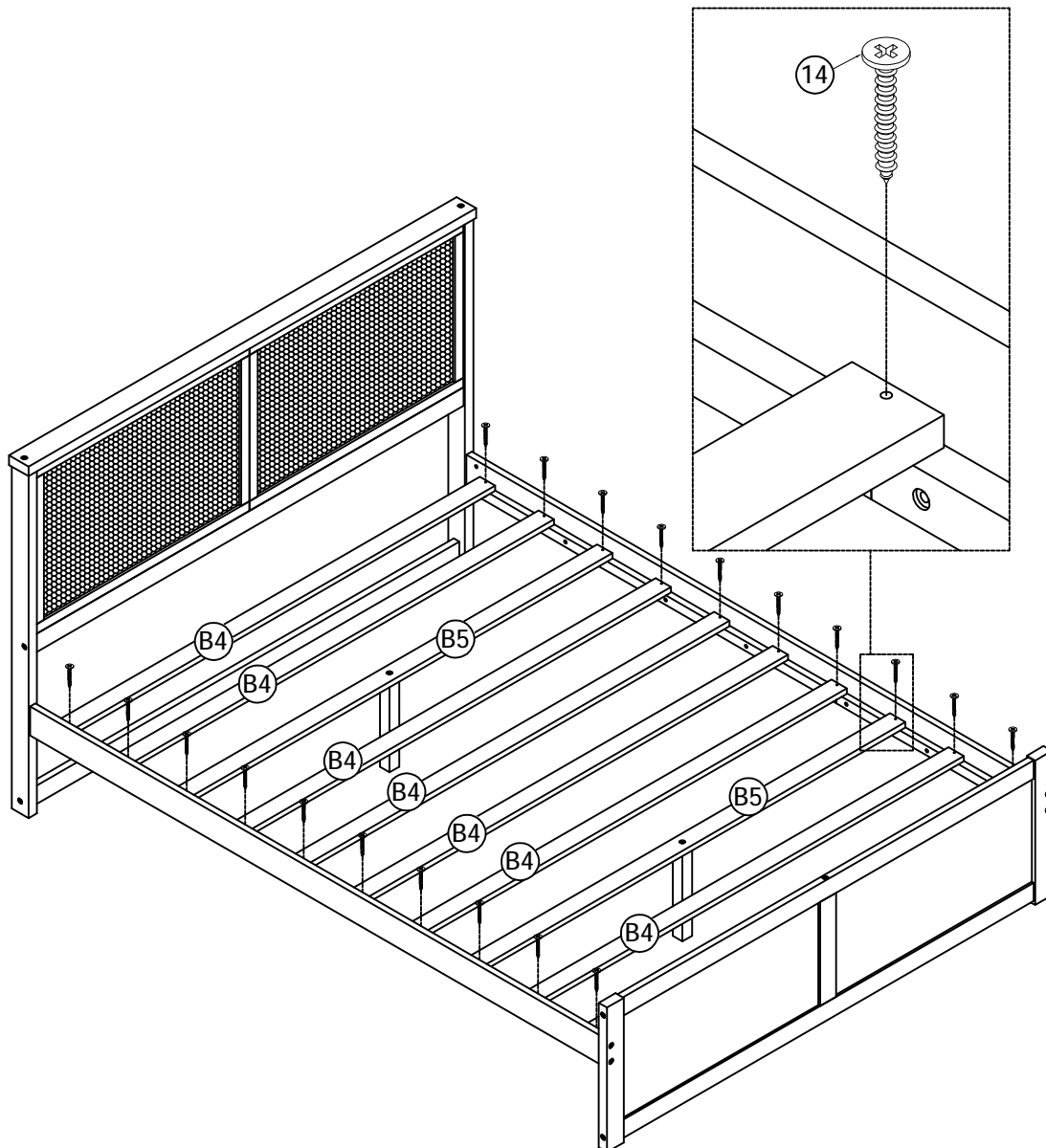


1

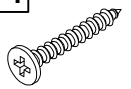


2(pcs)

STEP9: Following below illustration.

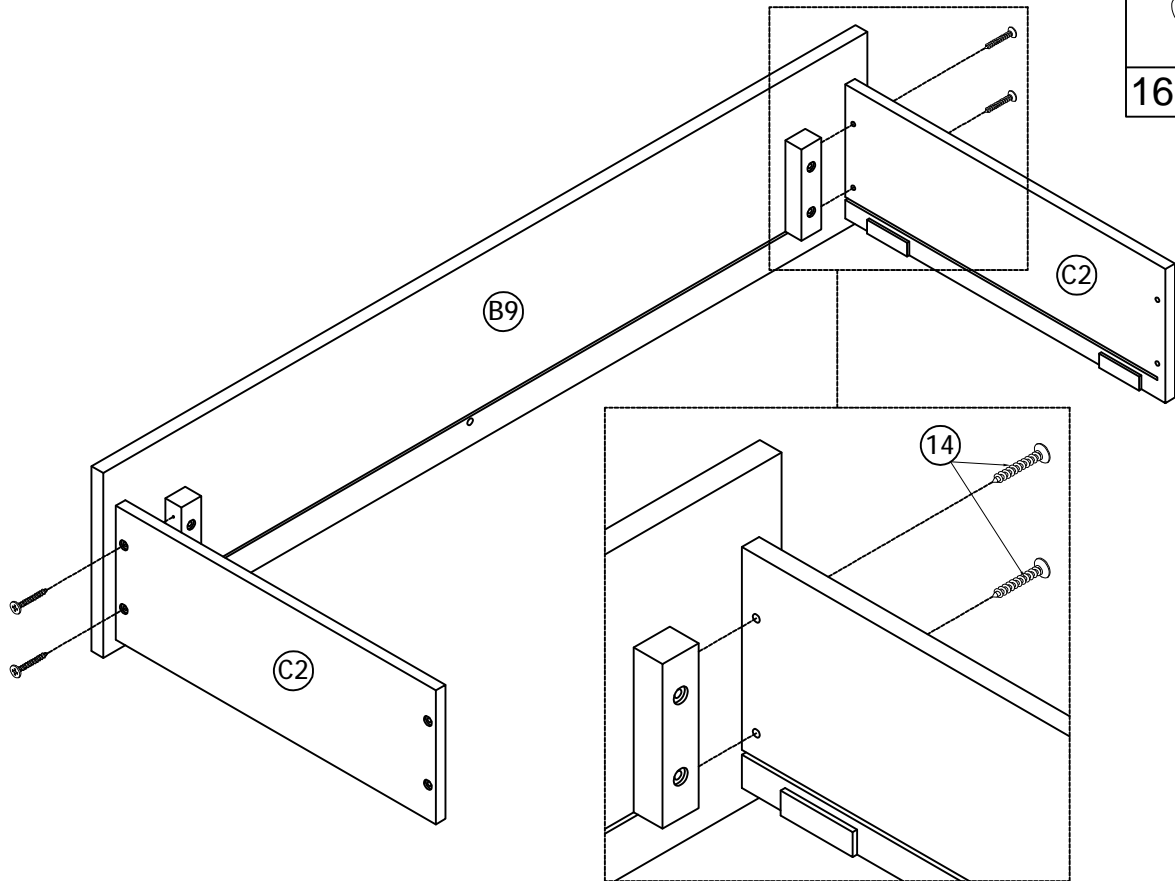


14

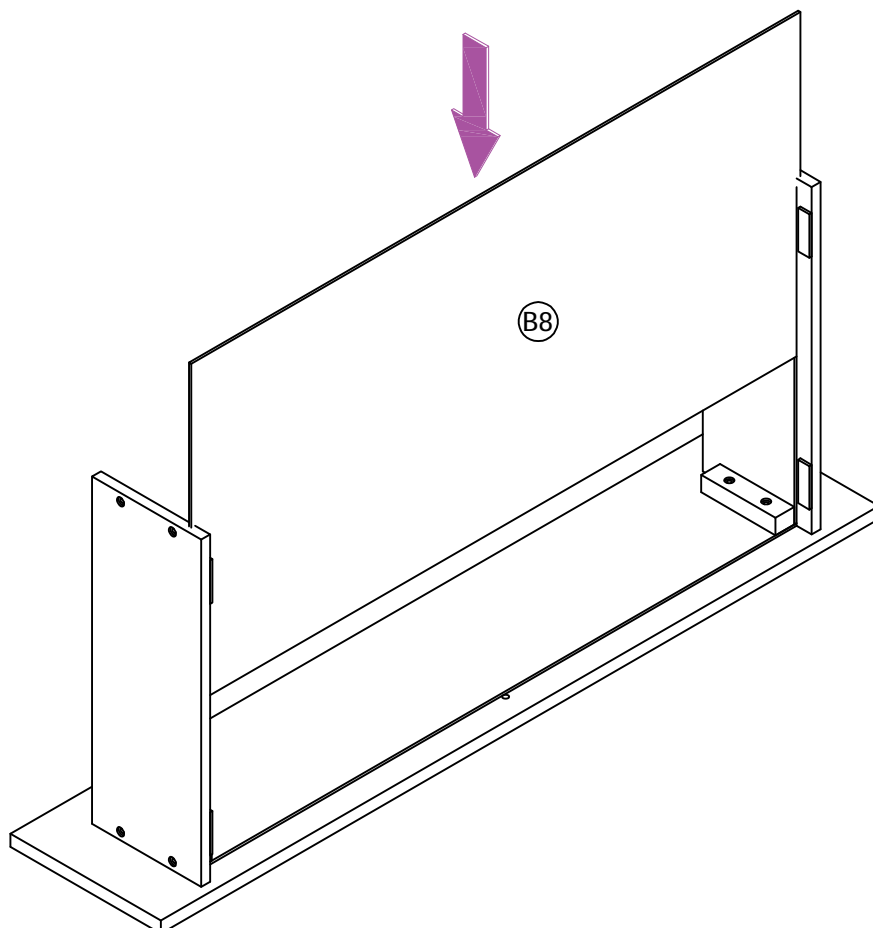


20(pcs)

STEP10 x 4: Following below illustration.

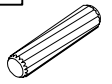


STEP11 x 4: Following below illustration.

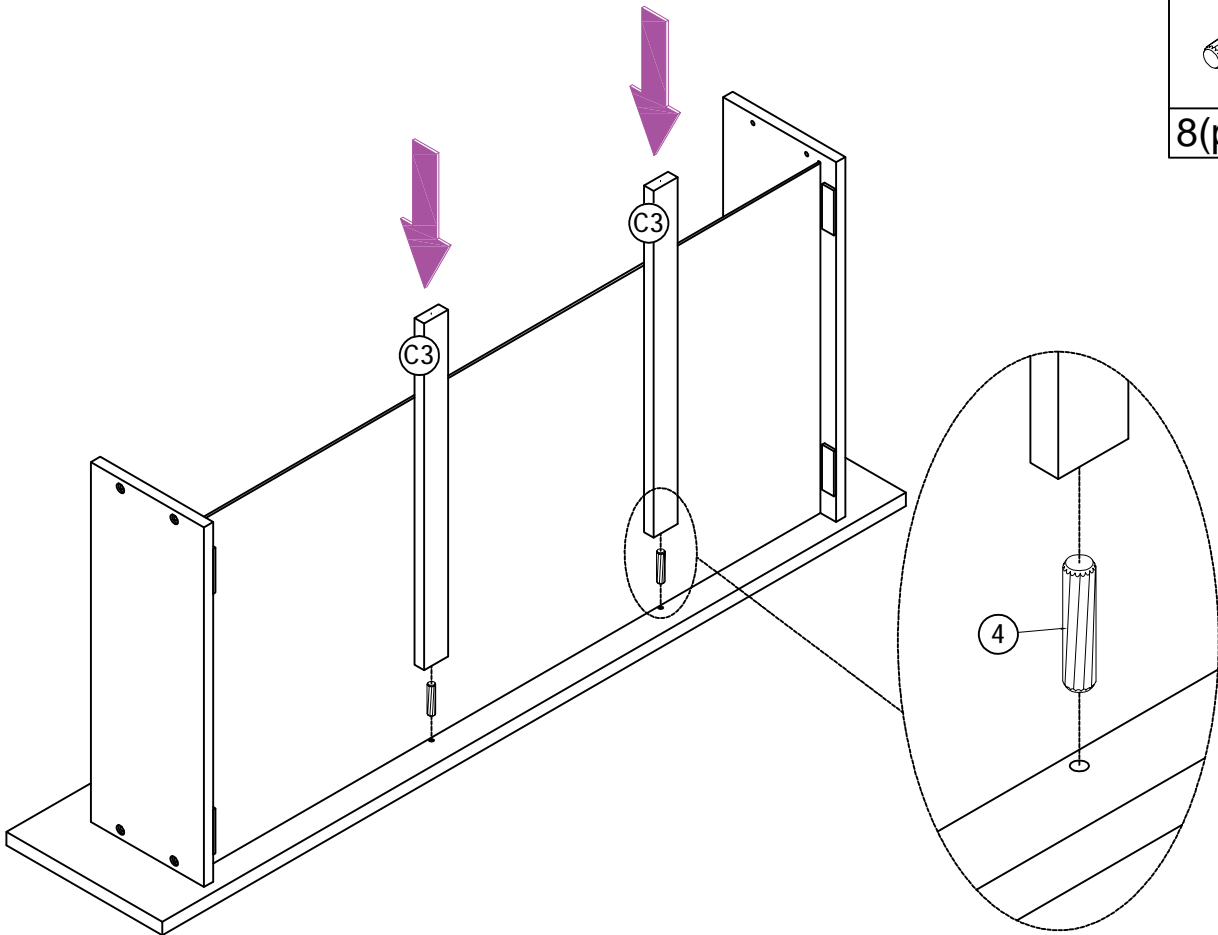


STEP12 x 4: Following below illustration.

4

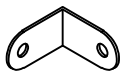


8(pcs)



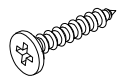
STEP13 x 4: Following below illustration.

6

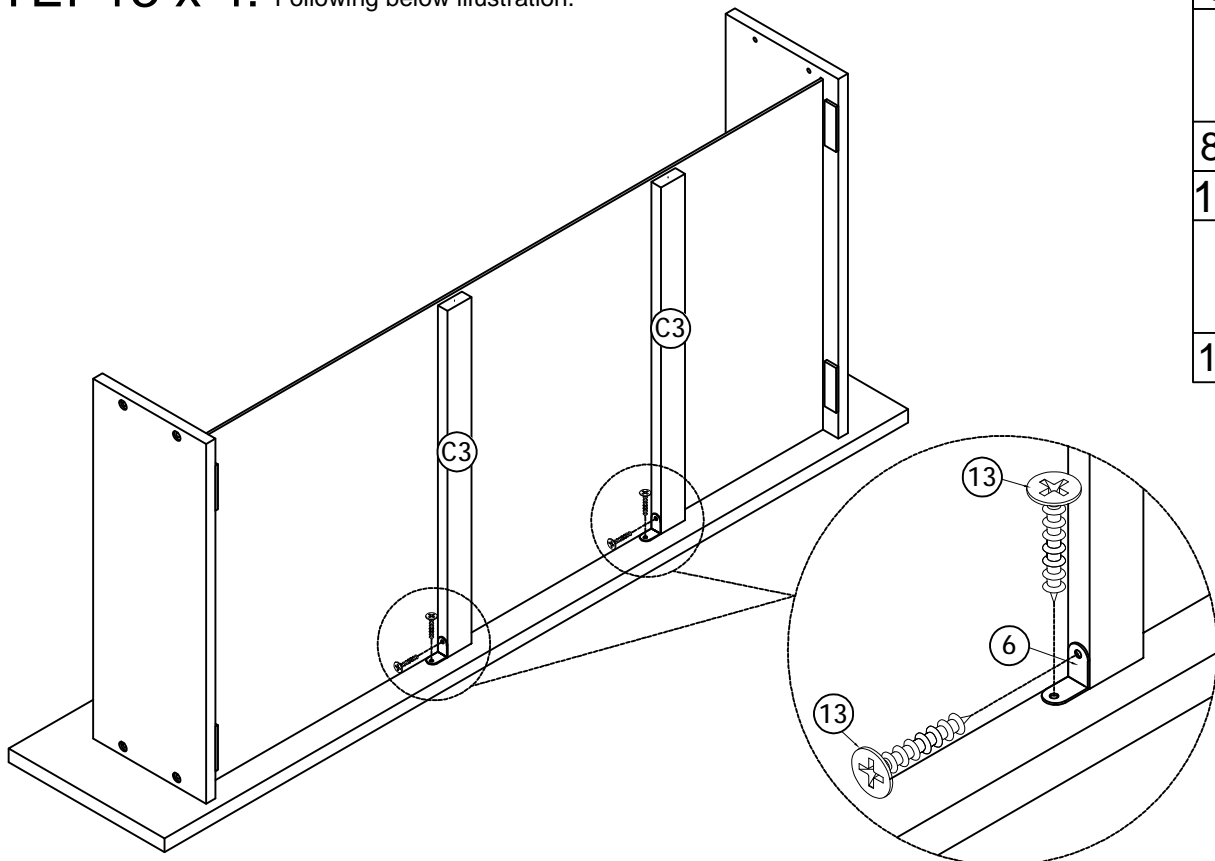


8(pcs)

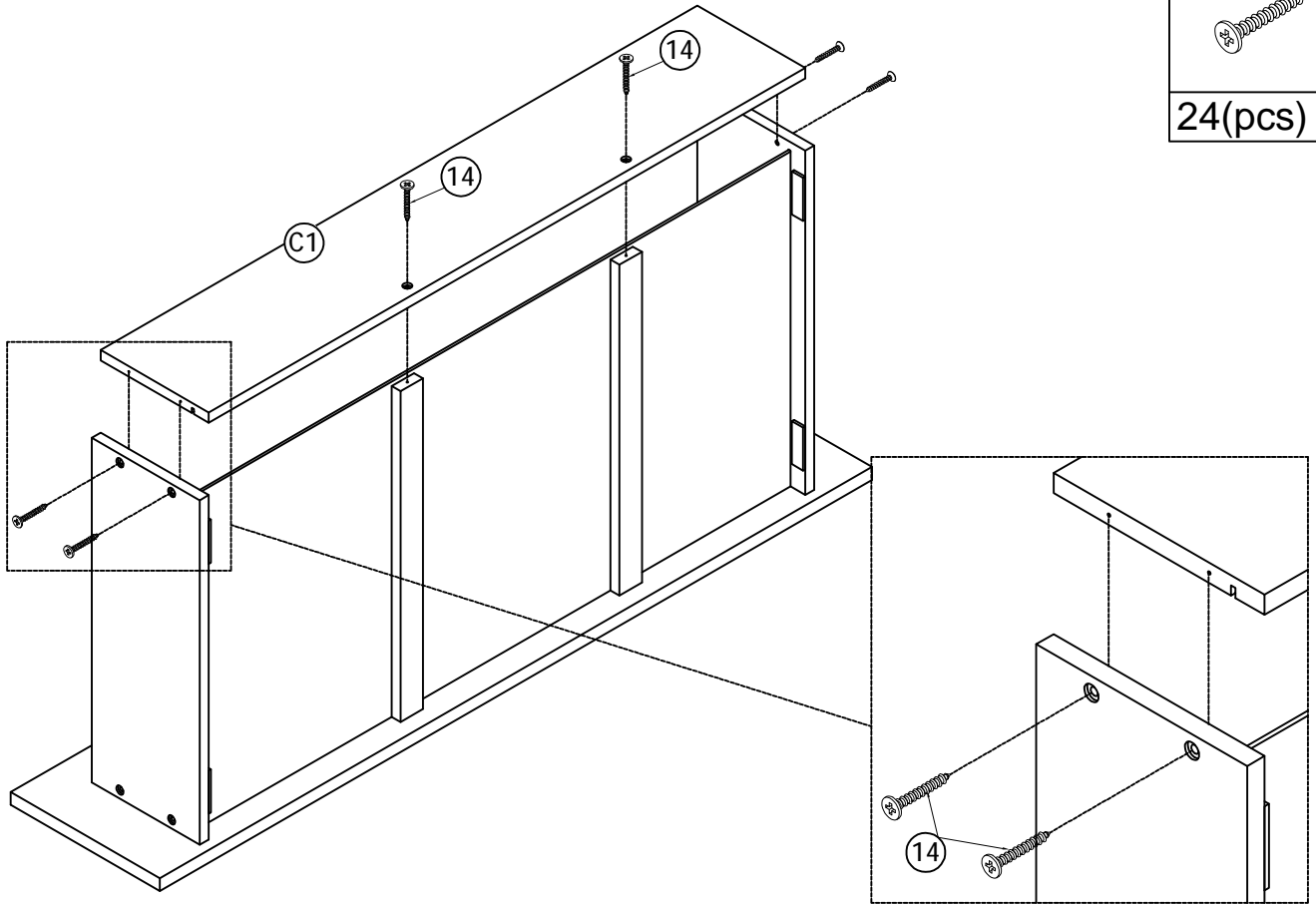
13



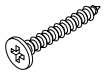
16(pcs)



STEP14 x 4: Following below illustration.

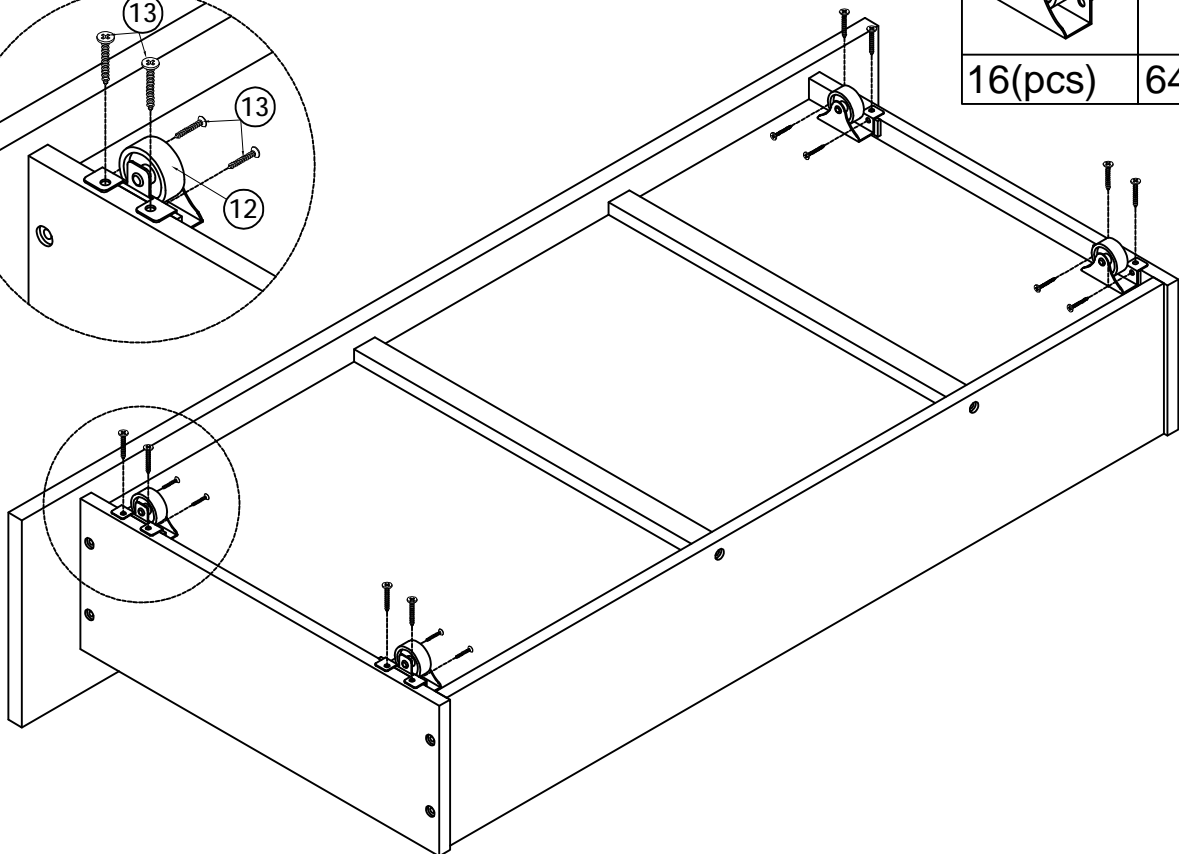
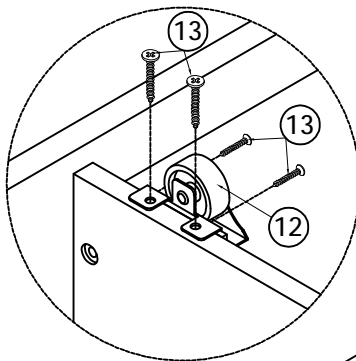


14

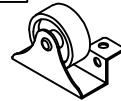


24(pcs)

STEP15 x 4: Following below illustration.

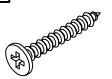


12



16(pcs)

13



64(pcs)

STEP 16 x 4: Following below illustration.

