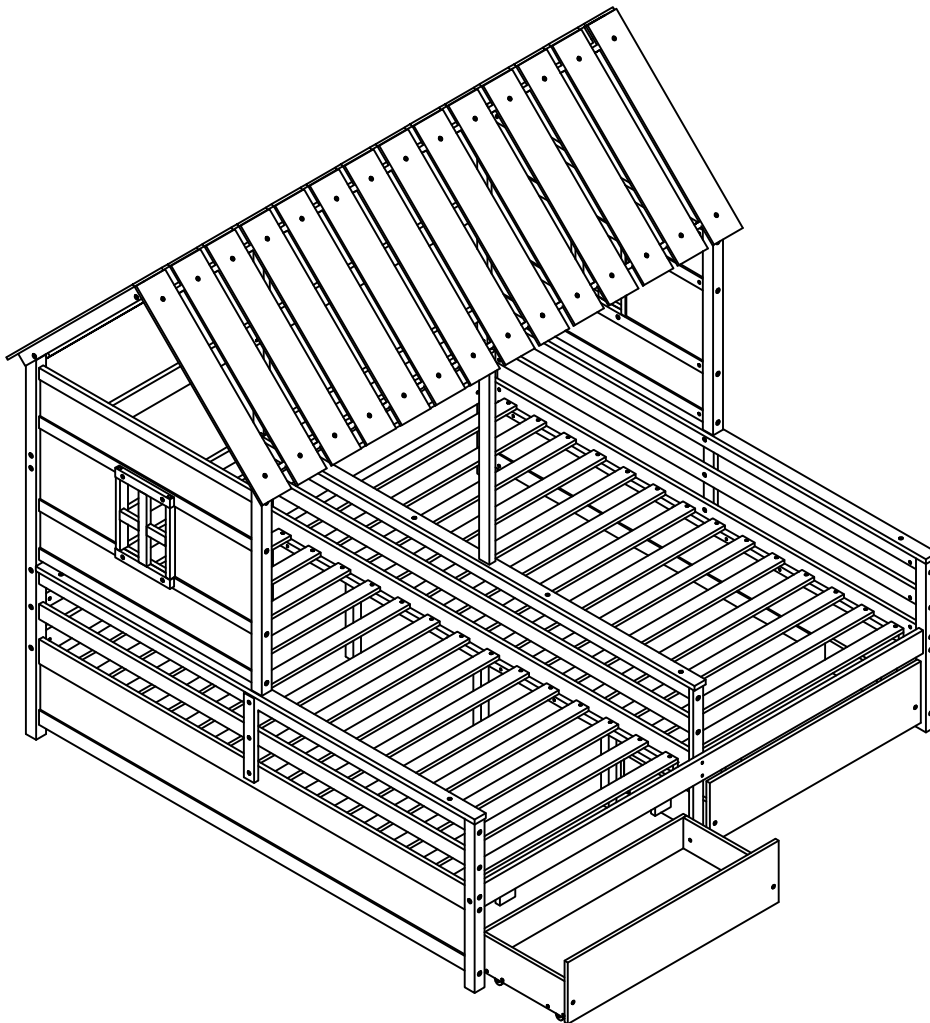


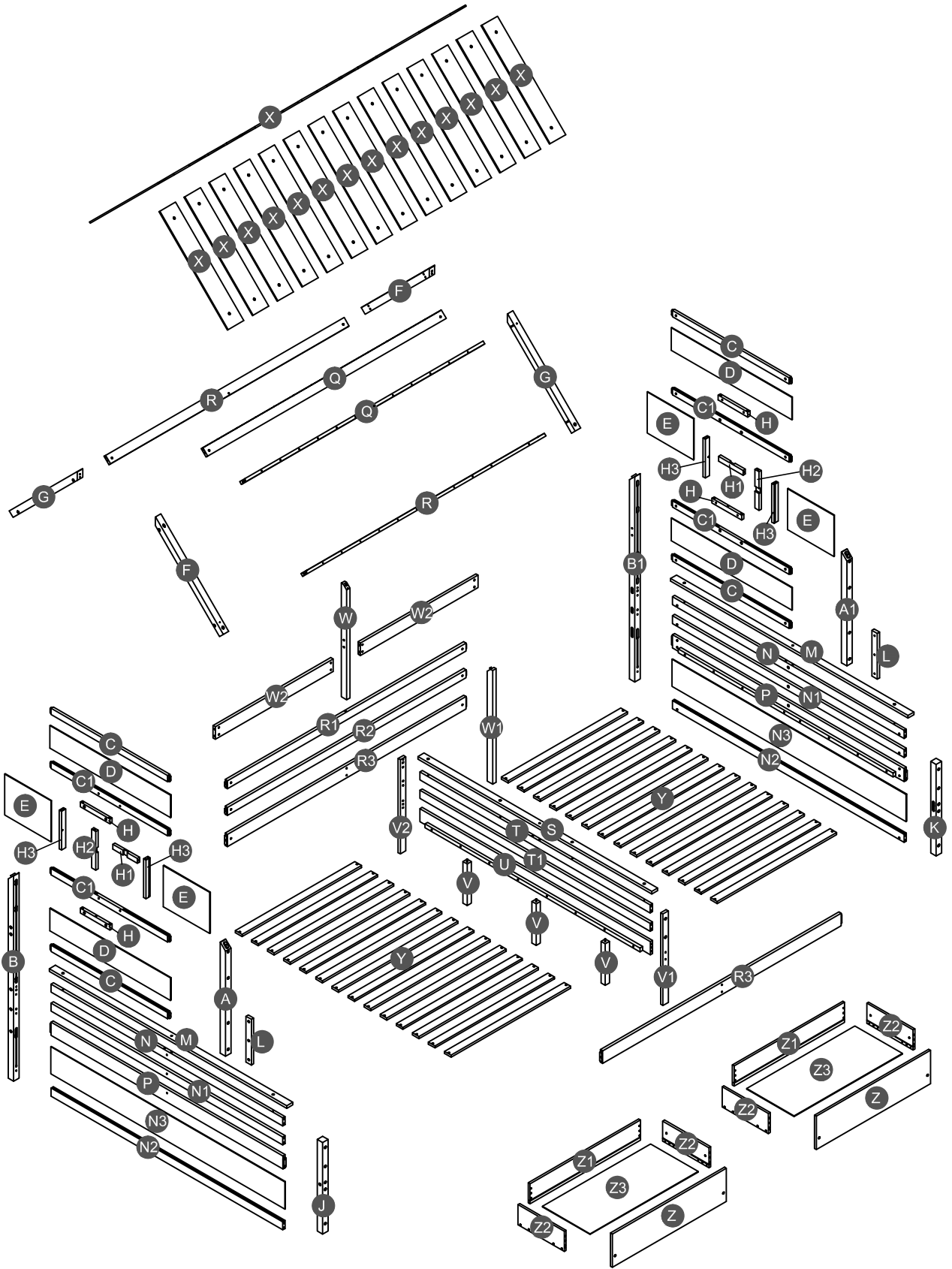
# ASSEMBLY INSTRUCTIONS

## 2 TWIN HOUSE BEDS WITH 2 DRAWERS








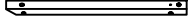
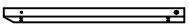
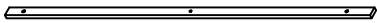





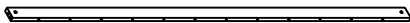


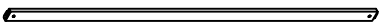
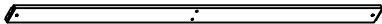


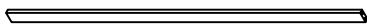
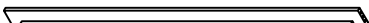
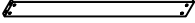

**WF323653/WF323654**

# Detail View



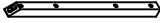

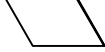
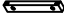




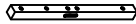




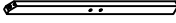
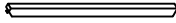
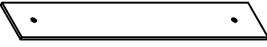
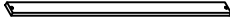
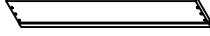
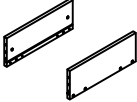

# Part List

## WF323653 - Hardware inside

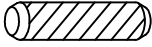
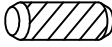
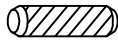

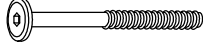
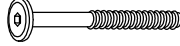








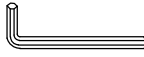
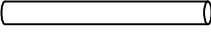
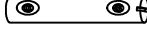
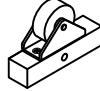
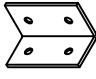

<p><b>B</b></p>  <p>Leg (Left Back) - 1pc</p>	<p><b>B1</b></p>  <p>Leg (Right Back) - 1pc</p>	<p><b>C</b></p>  <p>Horizontal bar - 4pcs</p>
<p><b>C1</b></p>  <p>Horizontal bar - 4pcs</p>	<p><b>D</b></p>  <p>Side panel - 4pcs</p>	<p><b>F</b></p>  <p>Upper (Left Front/Right Back) - 2pcs</p>
<p><b>G</b></p>  <p>Upper (Left Back/Right Front) - 2pcs</p>	<p><b>M</b></p>  <p>Cap for upper - 2pcs</p>	<p><b>N</b></p>  <p>Upper horizontal bar - 2pcs</p>
<p><b>N1</b></p>  <p>Divider horizontal bar - 2pcs</p>	<p><b>N2</b></p>  <p>Lower horizontal bar - 2pcs</p>	<p><b>N3</b></p>  <p>Lower side panel - 2pcs</p>
<p><b>P</b></p>  <p>Side rail (Front/Right) - 2pcs</p>	<p><b>Q</b></p>  <p>Upper horizontal bar - 2pcs</p>	<p><b>R</b></p>  <p>Upper horizontal bar (Front/Back) - 2pcs</p>
<p><b>R1</b></p>  <p>Upper horizontal bar (Back) - 1pc</p>	<p><b>R2</b></p>  <p>Divider horizontal bar (Back) - 1pc</p>	<p><b>R3</b></p>  <p>Horizontal bar (Front/Back) - 2pcs</p>
<p><b>S</b></p>  <p>Divider Cap for upper - 1pc</p>	<p><b>T</b></p>  <p>Upper horizontal bar - 1pc</p>	<p><b>T1</b></p>  <p>Divider horizontal bar - 1pc</p>
<p><b>U</b></p>  <p>Divider side rail - 1pc</p>	<p><b>W2</b></p>  <p>Upper horizontal bar (Back) - 2pcs</p>	<p><b>Z</b></p>  <p>Front drawer panel - 2pcs</p>

# Part List

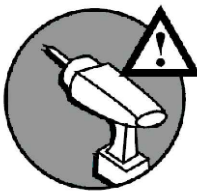
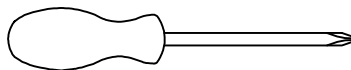
WF323654

<p><b>A</b></p>  <p>Upper leg (Left Front) - 1pc</p>	<p><b>A1</b></p>  <p>Upper leg (Right Front) - 1pc</p>	<p><b>E</b></p>  <p>Side panel - 4pcs</p>
<p><b>H</b></p>  <p>Horizontal bar - 4pcs</p>	<p><b>H1</b></p>  <p>Horizontal bar - 2pcs</p>	<p><b>H2</b></p>  <p>Vertical bar - 2pcs</p>
<p><b>H3</b></p>  <p>Vertical bar - 4pcs</p>	<p><b>J</b></p>  <p>Lower leg (Left Front) - 1pc</p>	<p><b>K</b></p>  <p>Lower leg (Right Front) - 1pc</p>
<p><b>L</b></p>  <p>Vertical guard rail - 2pcs</p>	<p><b>V</b></p>  <p>Leg support - 3pcs</p>	<p><b>V1</b></p>  <p>Divider leg (Front) - 1pc</p>
<p><b>V2</b></p>  <p>Divider leg (Back) - 1pc</p>	<p><b>W</b></p>  <p>Vertical bar (Back) - 1pc</p>	<p><b>W1</b></p>  <p>Vertical bar (Front) - 1pc</p>
<p><b>X</b></p>  <p>Top panel - 28pcs</p>	<p><b>Y</b></p>  <p>Slat - 28pcs</p>	<p><b>Z1</b></p>  <p>Back drawer panel - 2pcs</p>
<p><b>Z2</b></p>  <p>Left / right drawer panel - 4pcs</p>	<p><b>Z3</b></p>  <p>Drawer bottom - 2pcs</p>	

## Hardware List WF323653

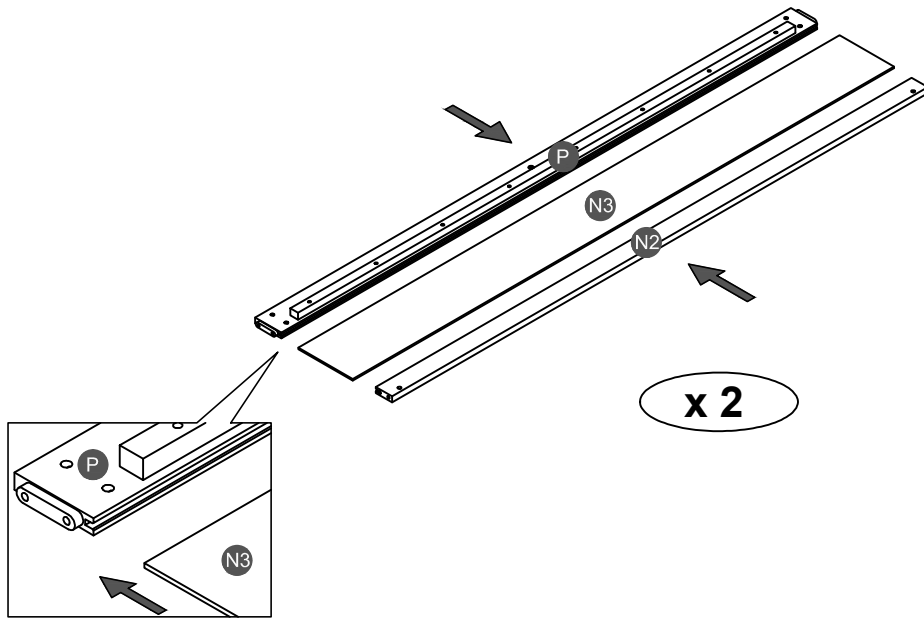
<b>1</b>  Ø10*40mm Wood dowel (16pcs)	<b>2</b>  Ø10*20mm Wood dowel (8pcs)	<b>3</b>  Ø8*30mm Wood dowel (47pcs)
<b>4</b>  (Ø15)1/4"*100mm Hex-Head bolts (24pcs)	<b>5</b>  (Ø15)1/4"*80mm Hex-Head bolts (40pcs)	<b>6</b>  (Ø12)1/4"*60mm Hex-Head bolts (8pcs)
<b>7</b>  (Ø12)1/4"*30mm Hex-Head bolts (14pcs)	<b>8</b>  (Ø12)1/4"*15mm Hex-Head bolts (4pcs)	<b>9</b>  1/4"*15 (9.5mm) Horizontal-Hole bolts(72pcs)
<b>10</b>  (Ø12)1/4"*65mm Hex-Head bolts (6pcs)	<b>11</b>  (Ø12)1/4"*40mm Hex-Head bolts (18pcs)	<b>12</b>  (Ø12)1/4"*30mm Hex-Head bolts (56pcs)
<b>13</b>  Ø4*30mm Wood screws (80pcs)	<b>14</b>  Ø3.5*15mm Wood screws (8pcs)	<b>15</b>  (1/4")4.5*58mm Allen key (1pc)
<b>16</b>  Ø9*90mm Connecting bar (4pcs)	<b>17</b>  (Ø10)1/4*76mm Connecting bar (2pcs)	<b>18</b>  100*54*20 mm Wheels (8pcs)
<b>19</b>  40*18*18*1.6mm Metal bracket (2pcs)	<b>20</b>  70*70*19 mm Drawer stopper (4pcs)	

### ASSEMBLY TOOLS REQUIRED ( NOT INCLUDED )

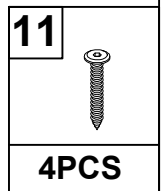
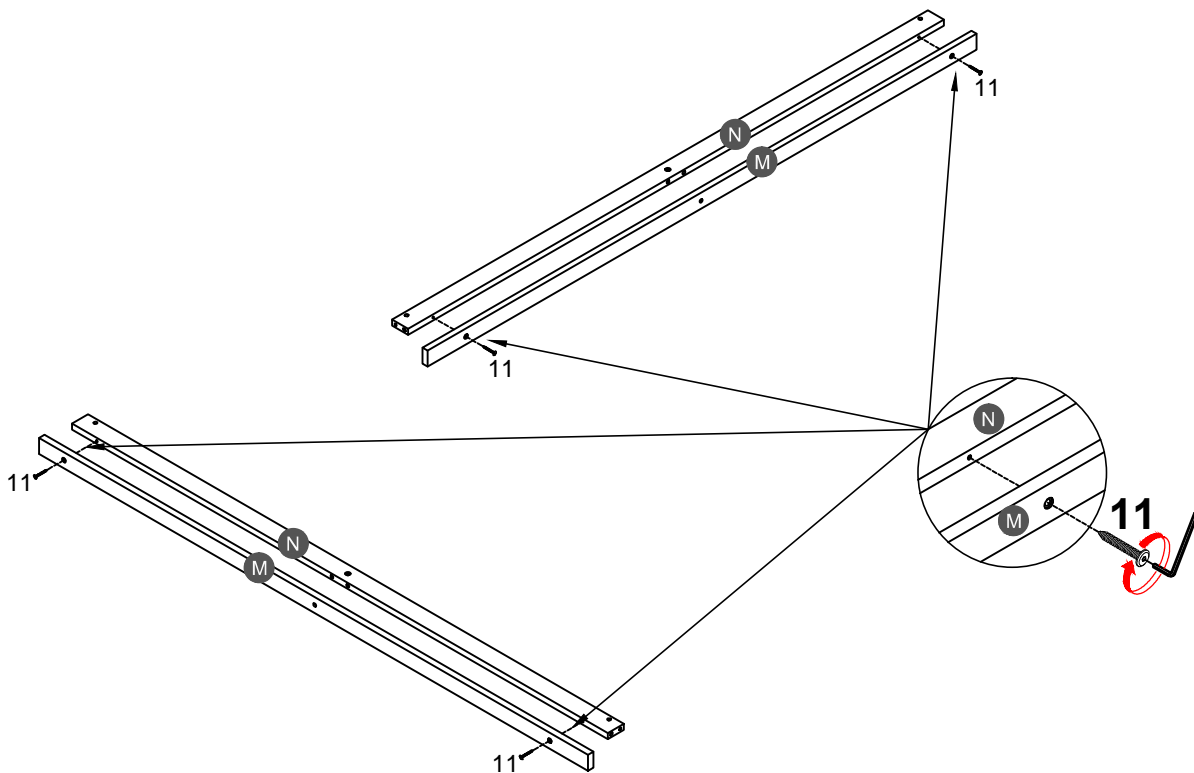


PLEASE BE CAREFUL DO NOT DAMAGE THE HOLE POSITION WHEN YOU USE POWER TOOLS !




**STEP 1:**

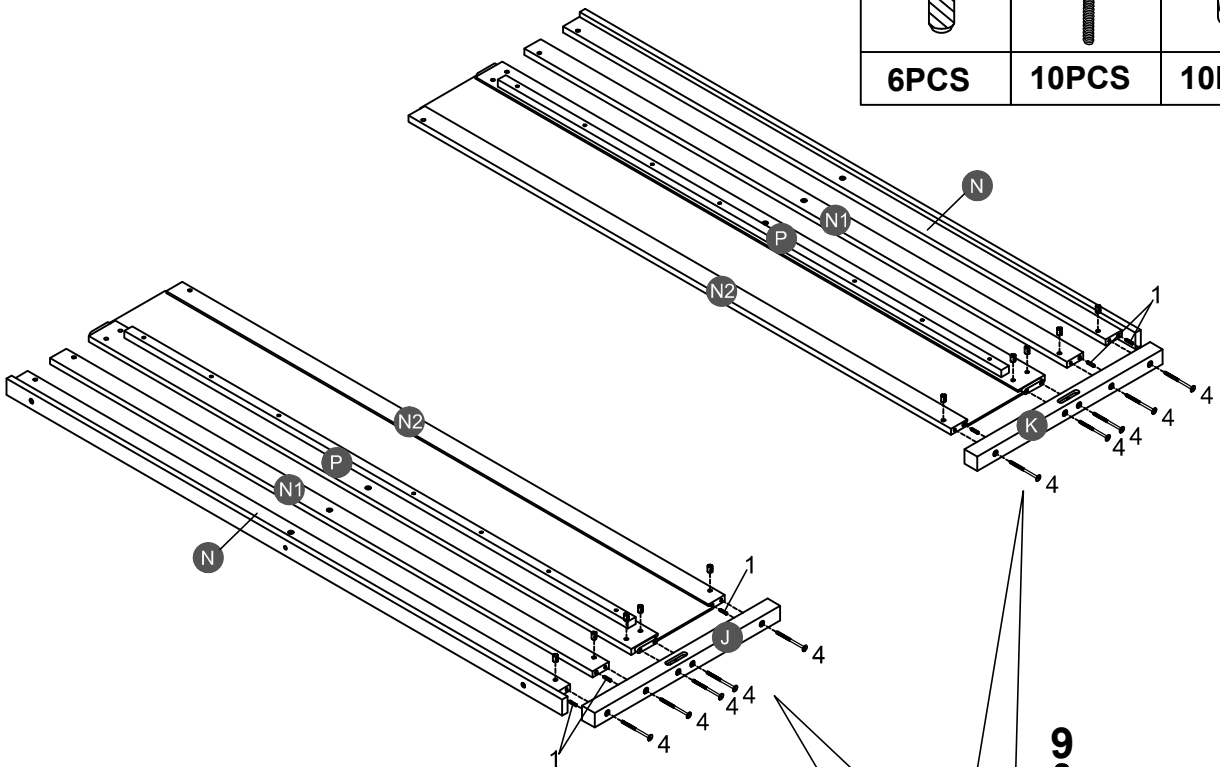


**STEP 2:**

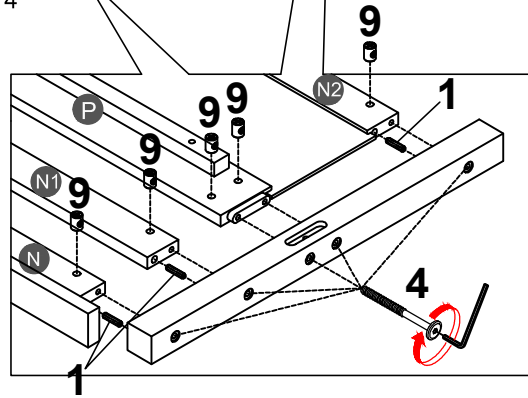
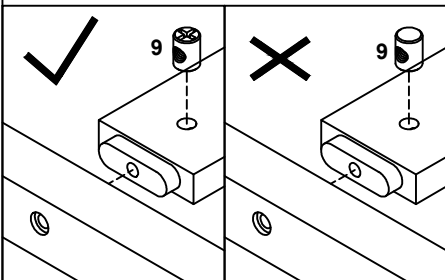


**STEP 3:**


<b>1</b>		<b>4</b>		<b>9</b>	
<b>6PCS</b>		<b>10PCS</b>		<b>10PCS</b>	

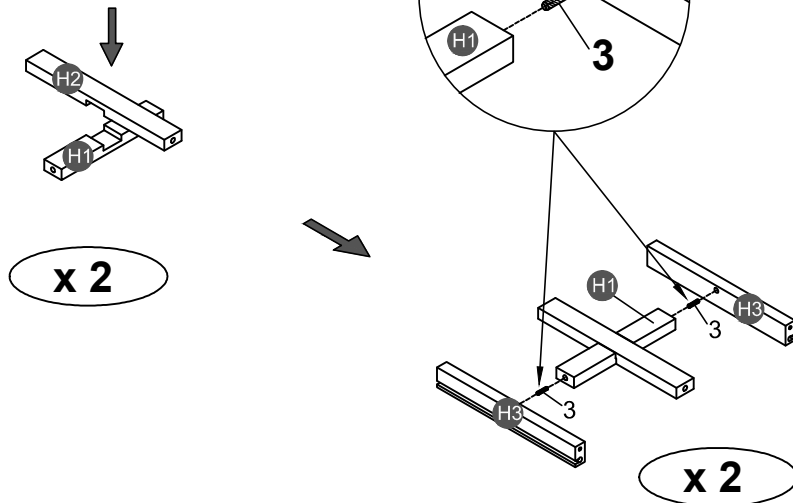


Note: Part 9 will face up with the "x" mark on it, otherwise it cannot be tightened

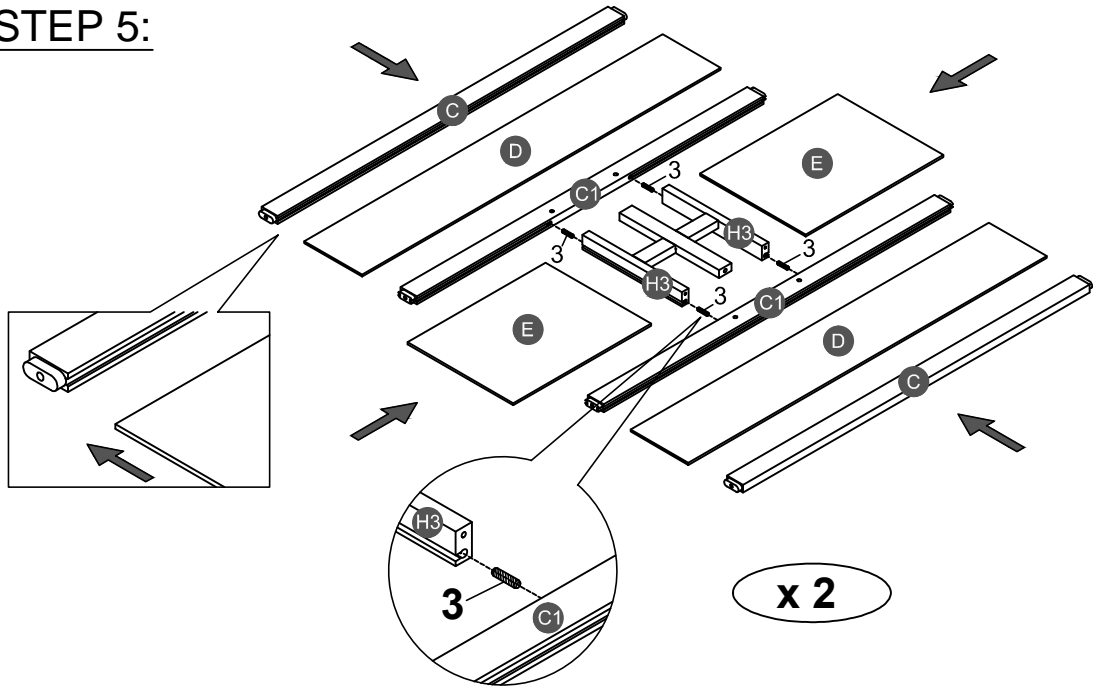



**STEP 4:**

<b>3</b>	
<b>4PCS</b>	

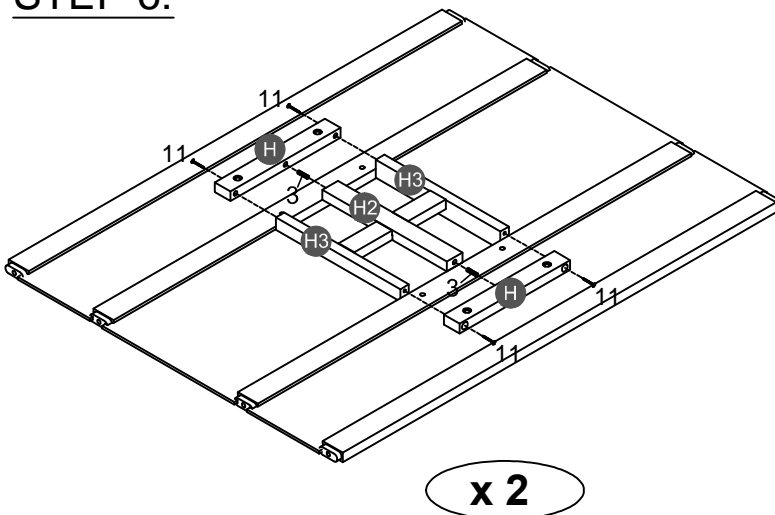




**STEP 5:**



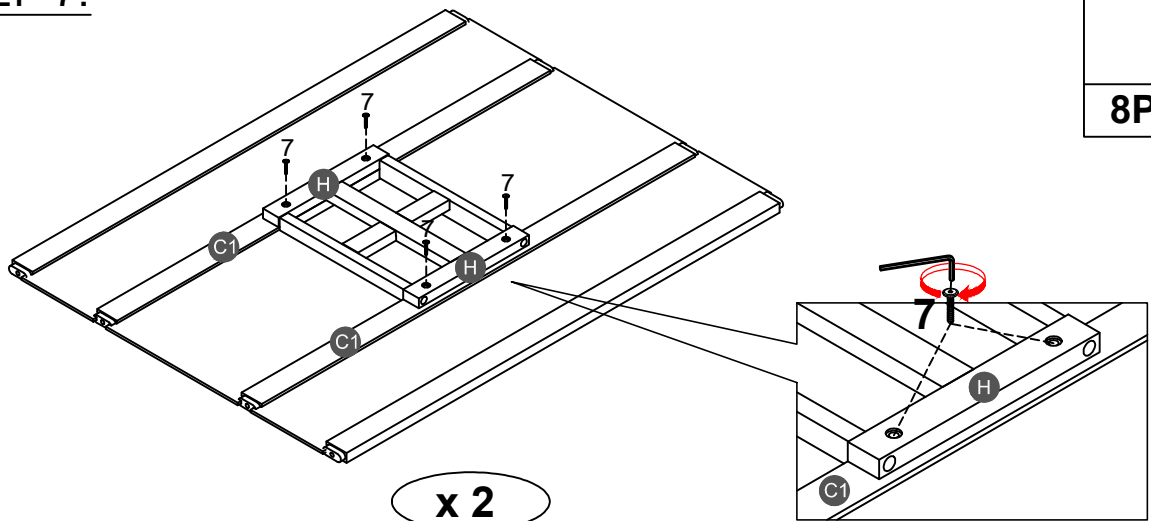
<b>3</b>	
<b>8PCS</b>	


**STEP 6:**



<b>3</b>		<b>11</b>	
<b>4PCS</b>		<b>8PCS</b>	

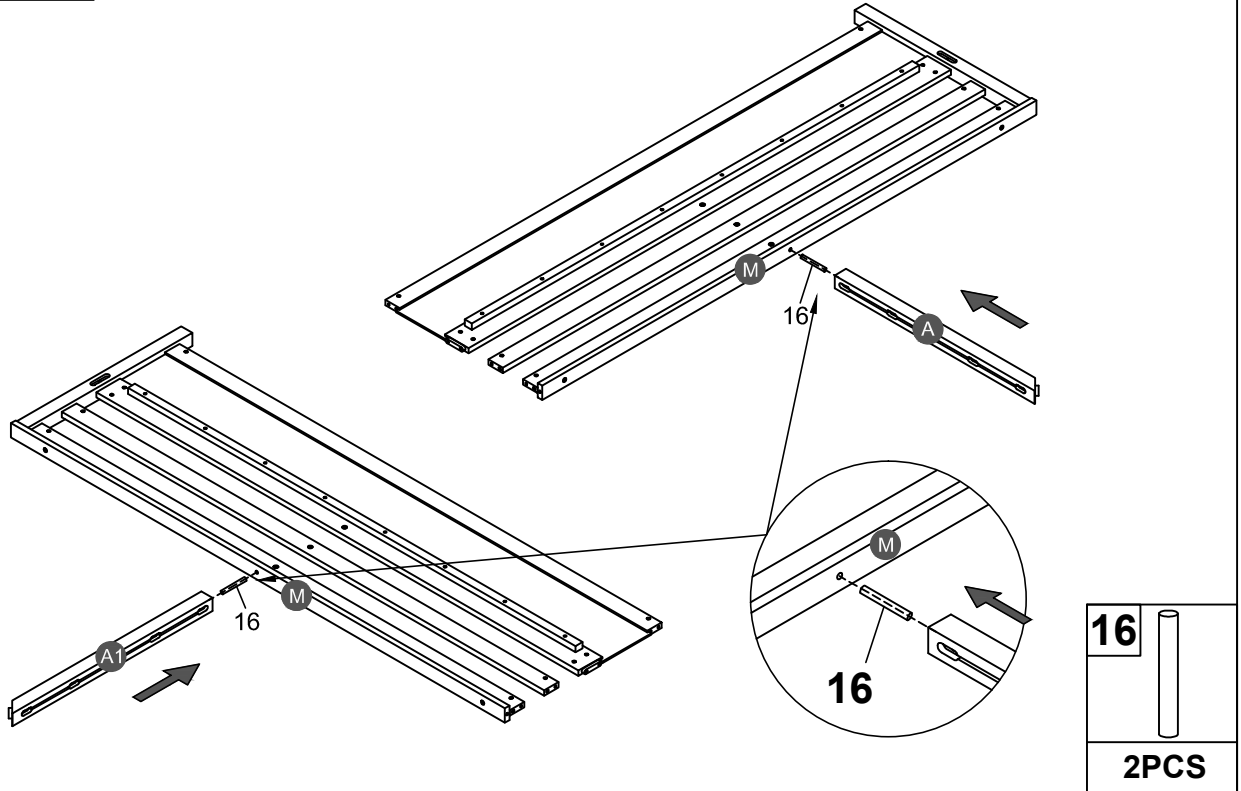
**STEP 7:**



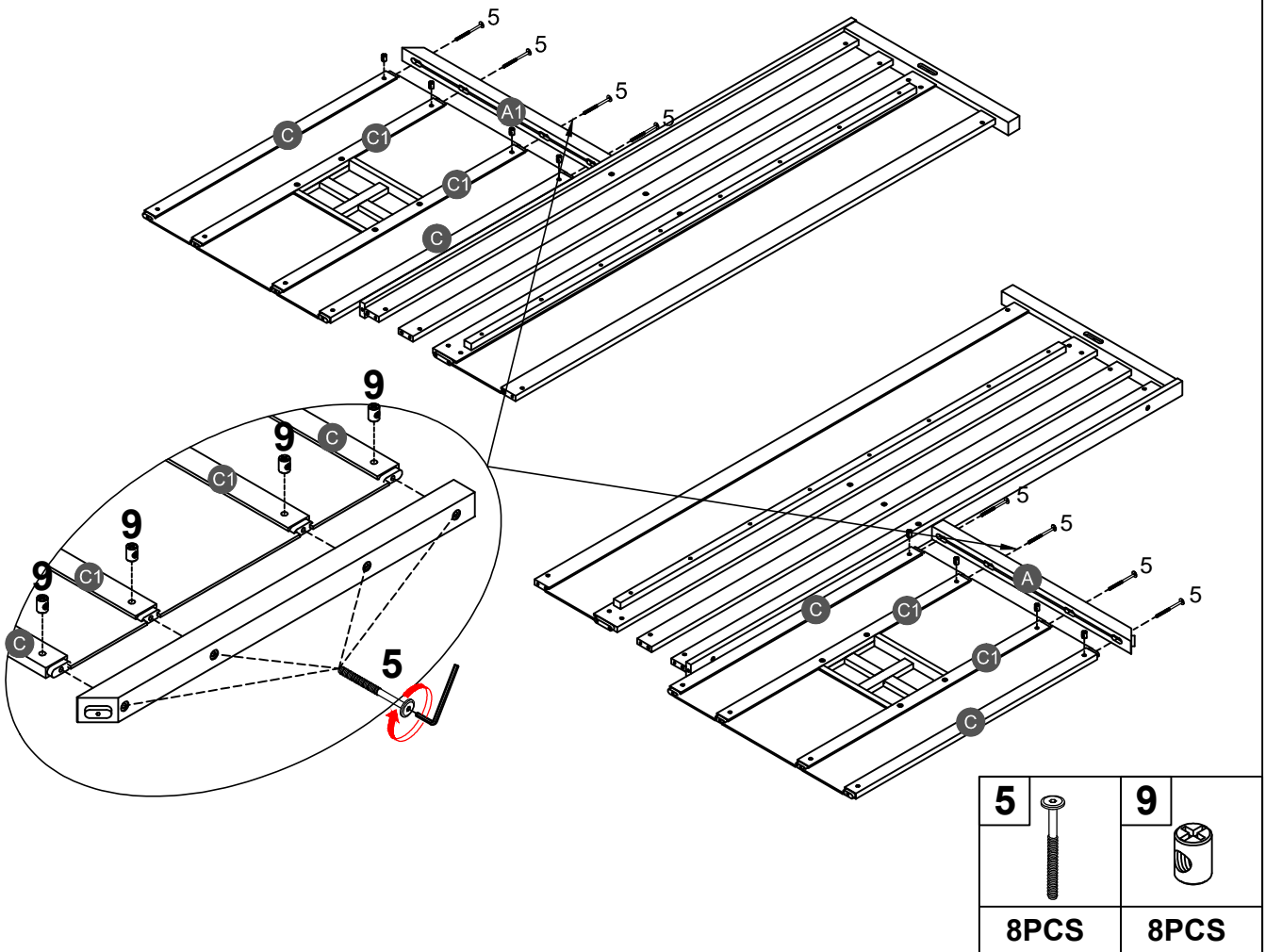
<b>7</b>	
<b>8PCS</b>	



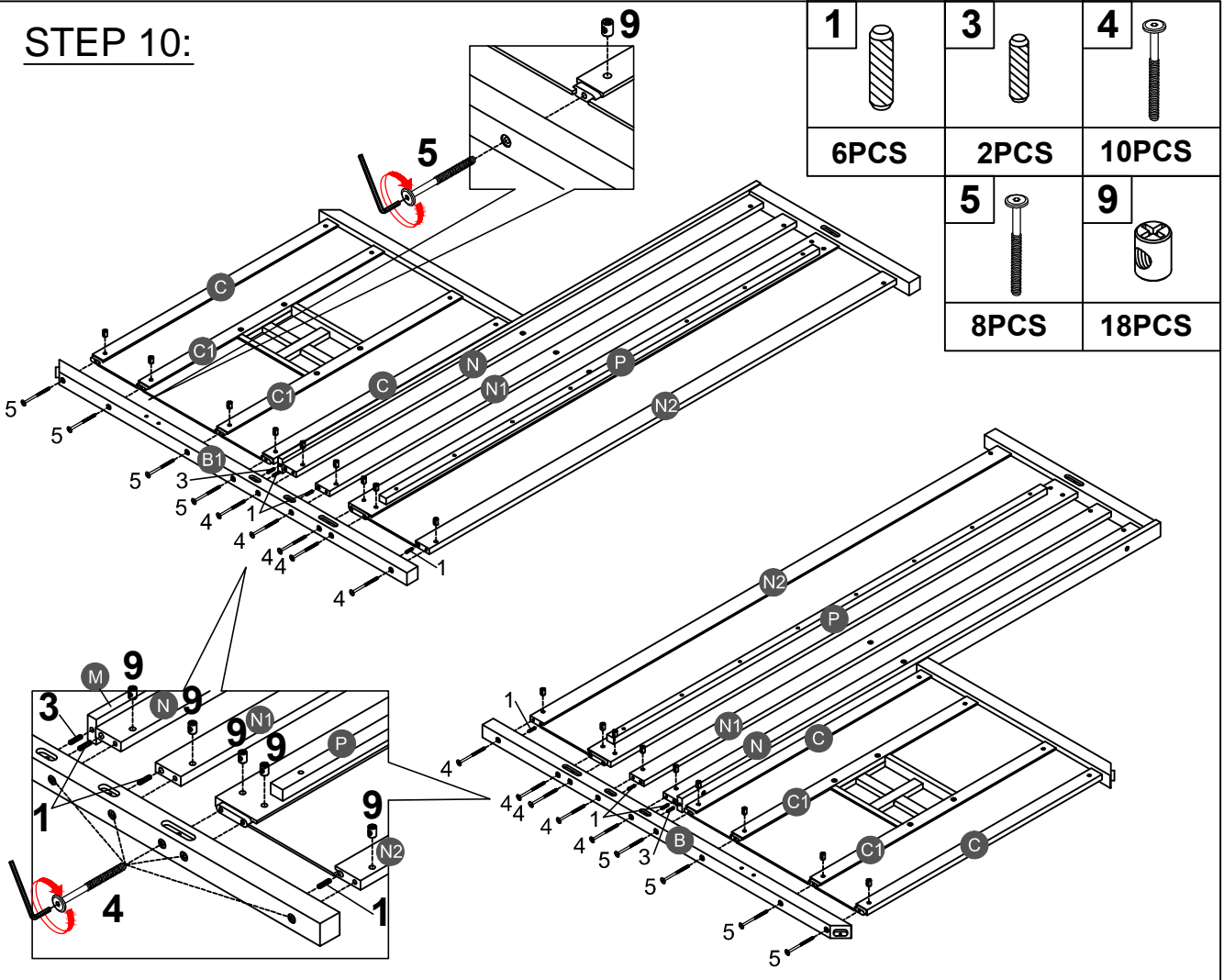
**STEP 8:**



**STEP 9:**

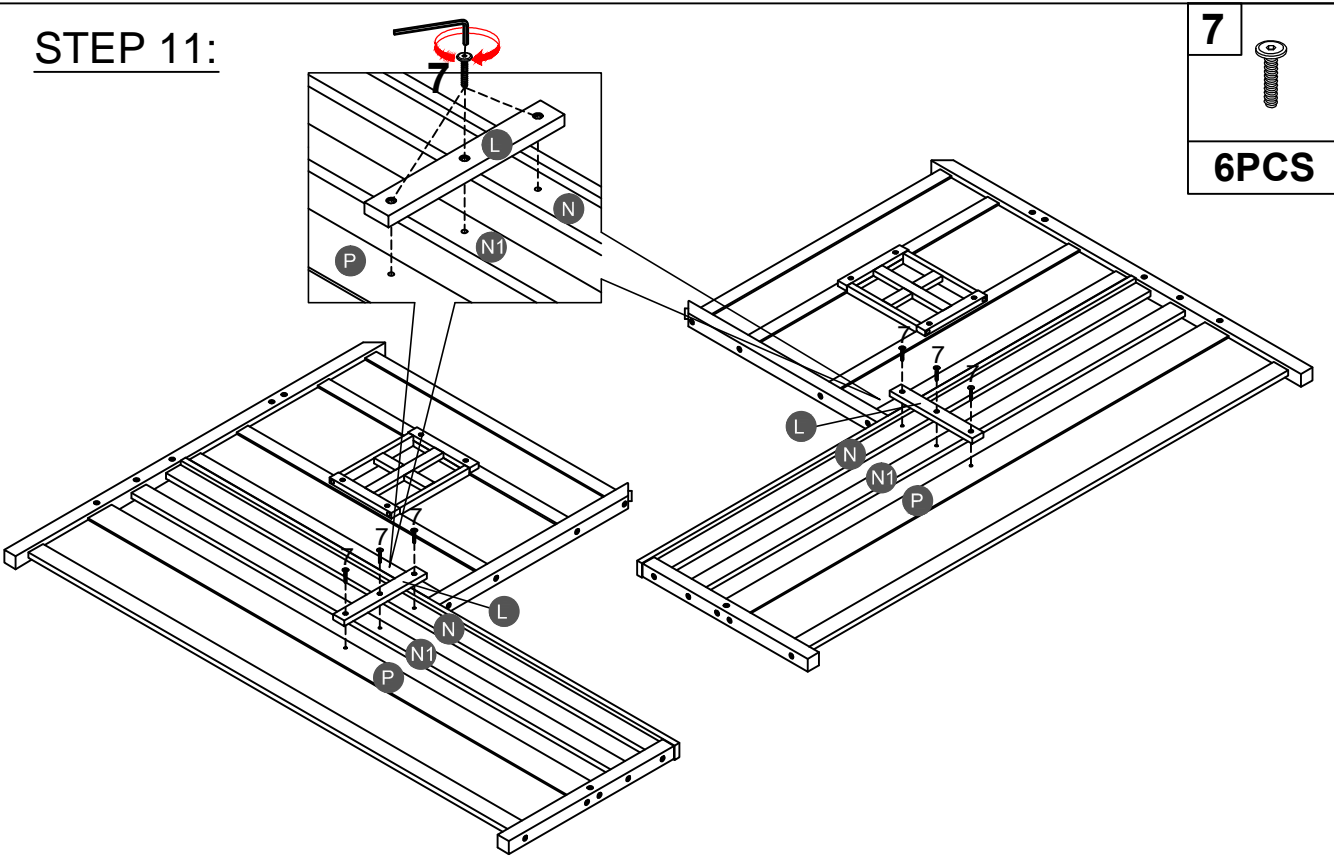


**STEP 10:**



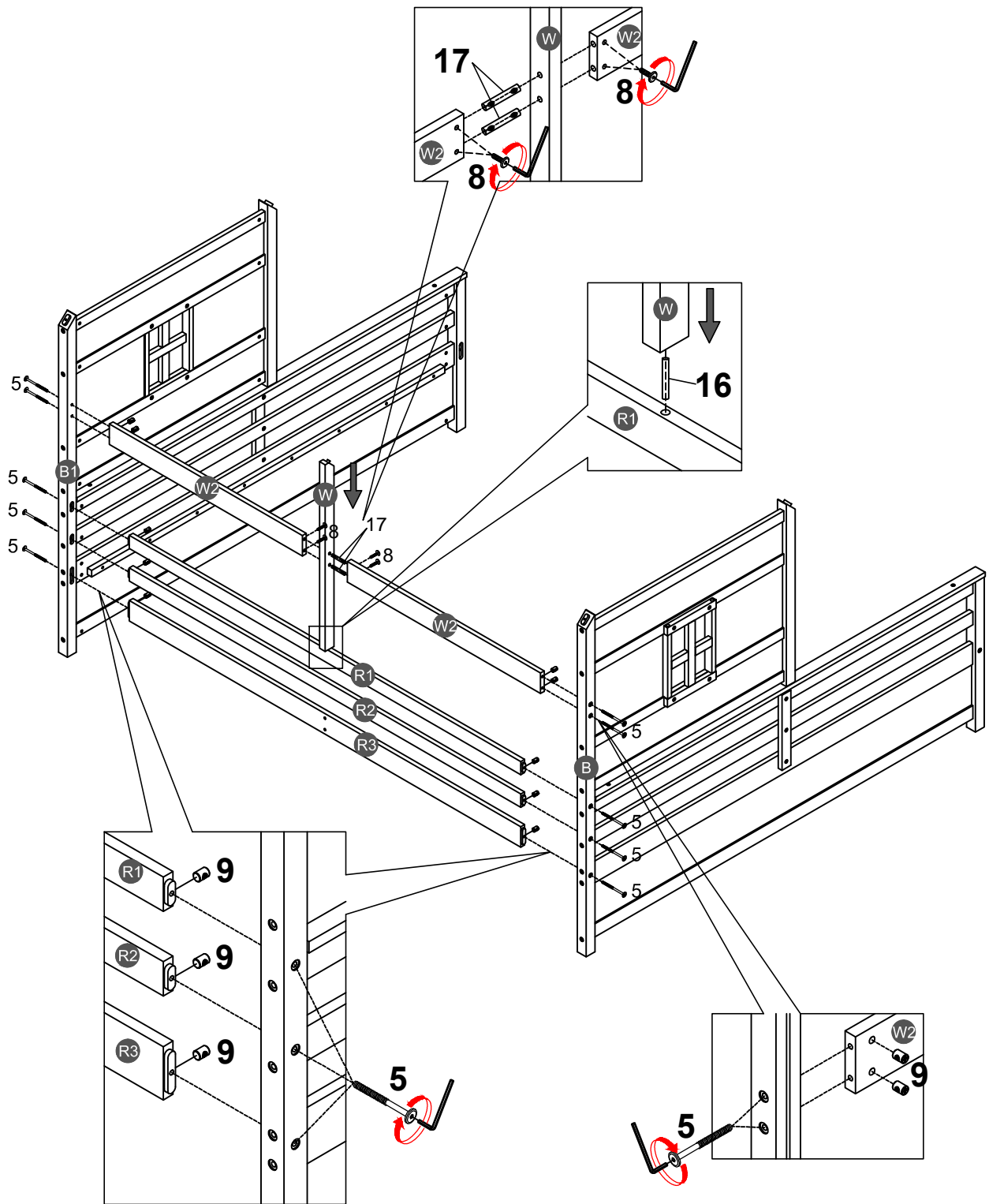
<b>1</b>		<b>3</b>		<b>4</b>	
<b>6PCS</b>		<b>2PCS</b>		<b>10PCS</b>	
		<b>5</b>		<b>9</b>	
		<b>8PCS</b>		<b>18PCS</b>	





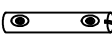
**STEP 11:**







<b>7</b>	
<b>6PCS</b>	

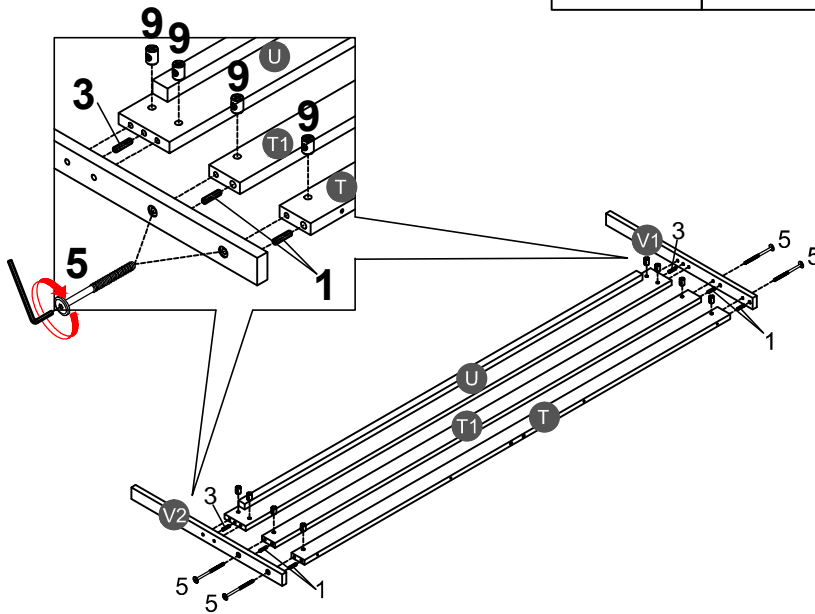
# STEP 12:





<b>5</b>		<b>8</b>		<b>9</b>		<b>16</b>		<b>17</b>	
<b>10PCS</b>		<b>4PCS</b>		<b>10PCS</b>		<b>1PC</b>		<b>2PCS</b>	

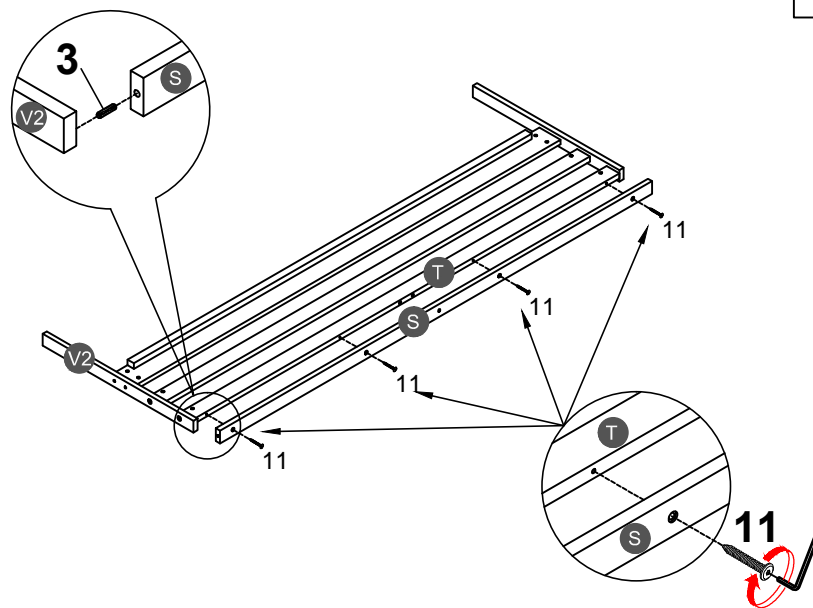
**STEP 13:**

<b>1</b>		<b>3</b>		<b>5</b>		<b>9</b>	
<b>4PCS</b>		<b>2PCS</b>		<b>4PCS</b>		<b>4PCS</b>	

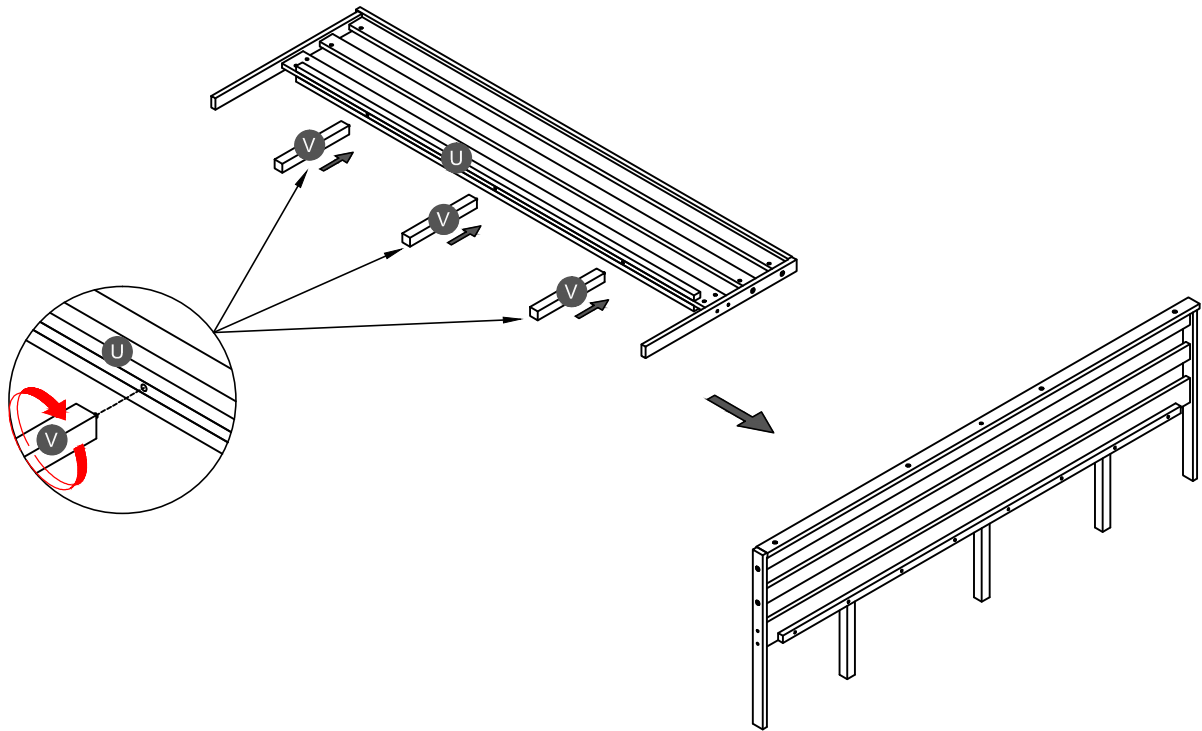


**STEP 14:**

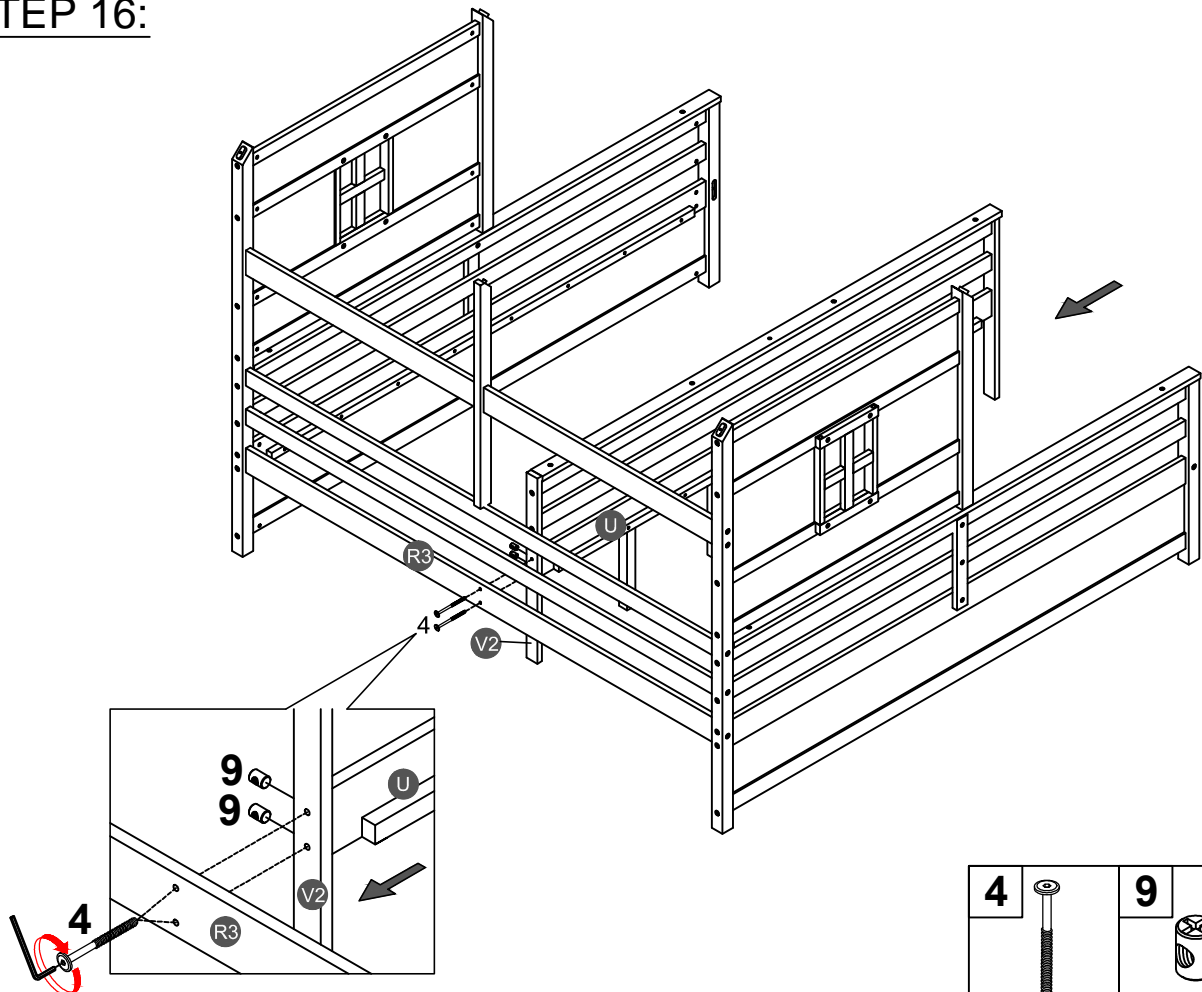
<b>3</b>		<b>11</b>	
<b>1PC</b>		<b>4PCS</b>	





**STEP 15:**


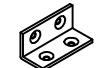


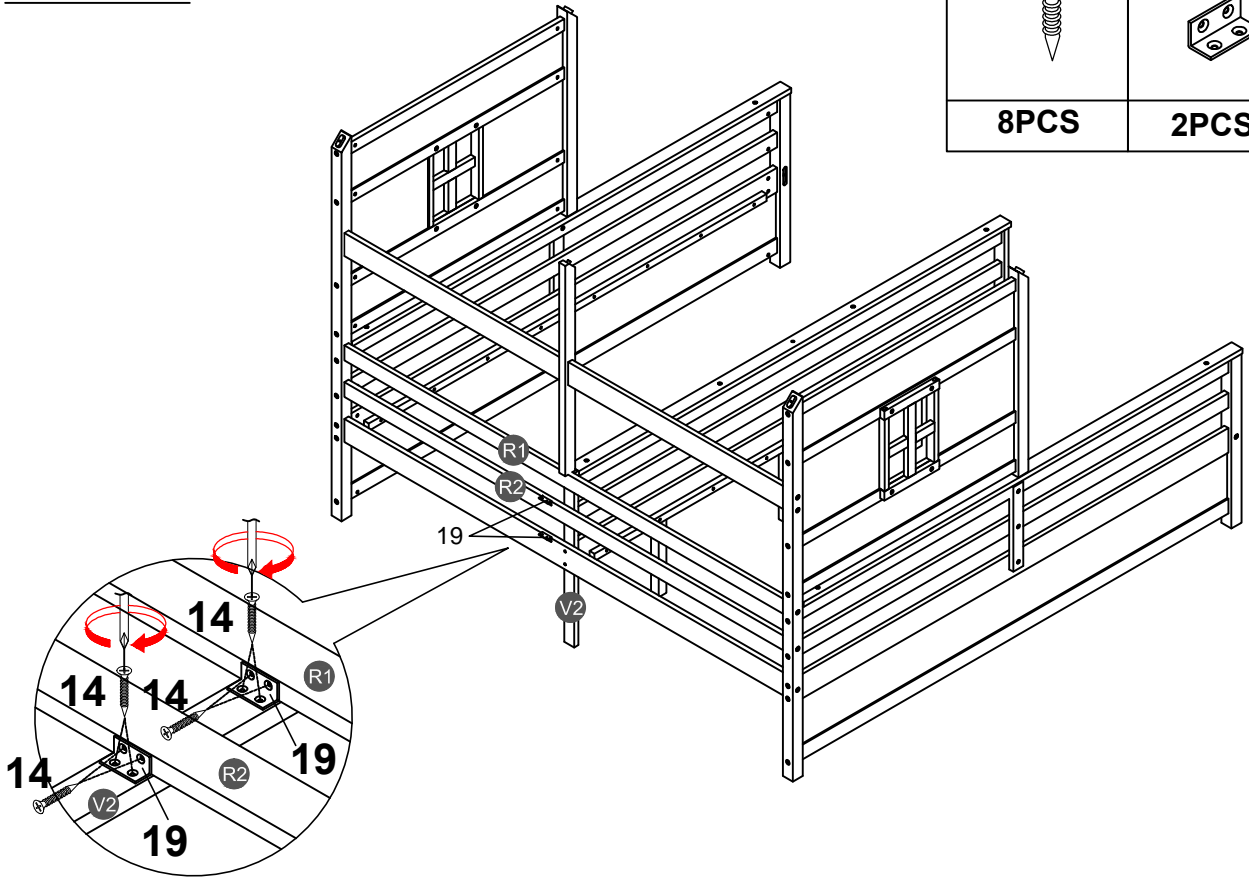
**STEP 16:**




<b>4</b>		<b>9</b>	
<b>2PCS</b>		<b>2PCS</b>	

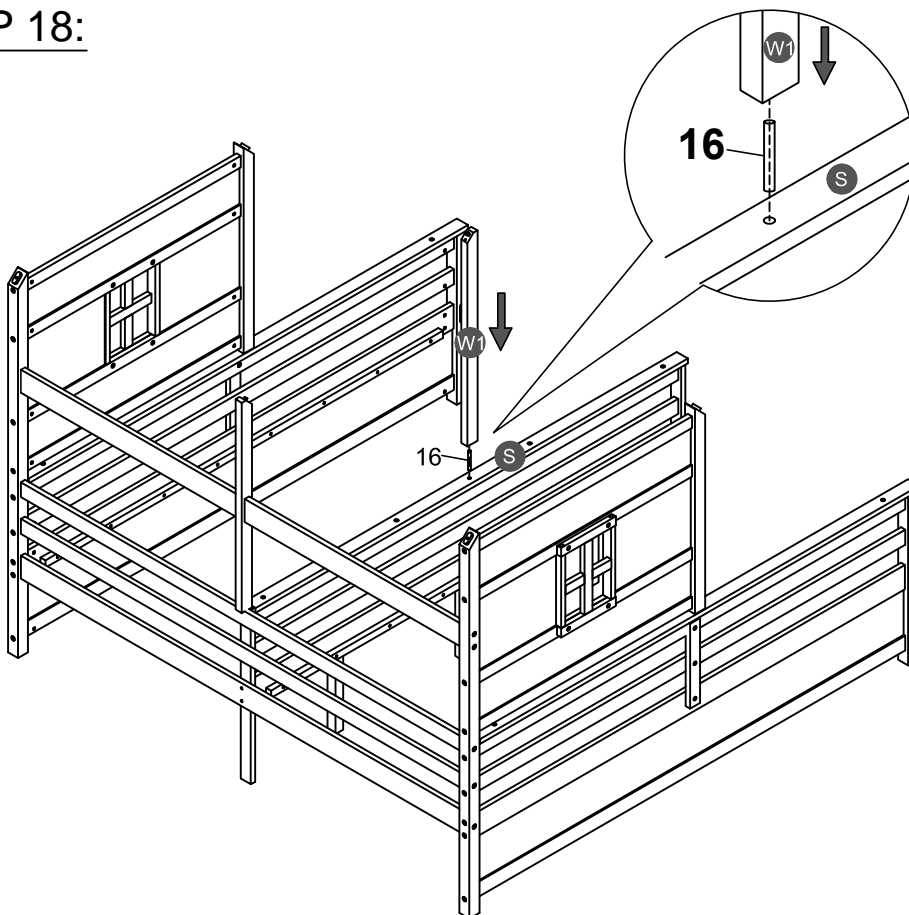
**STEP 17:**

<b>14</b>		<b>19</b>	
<b>8PCS</b>		<b>2PCS</b>	

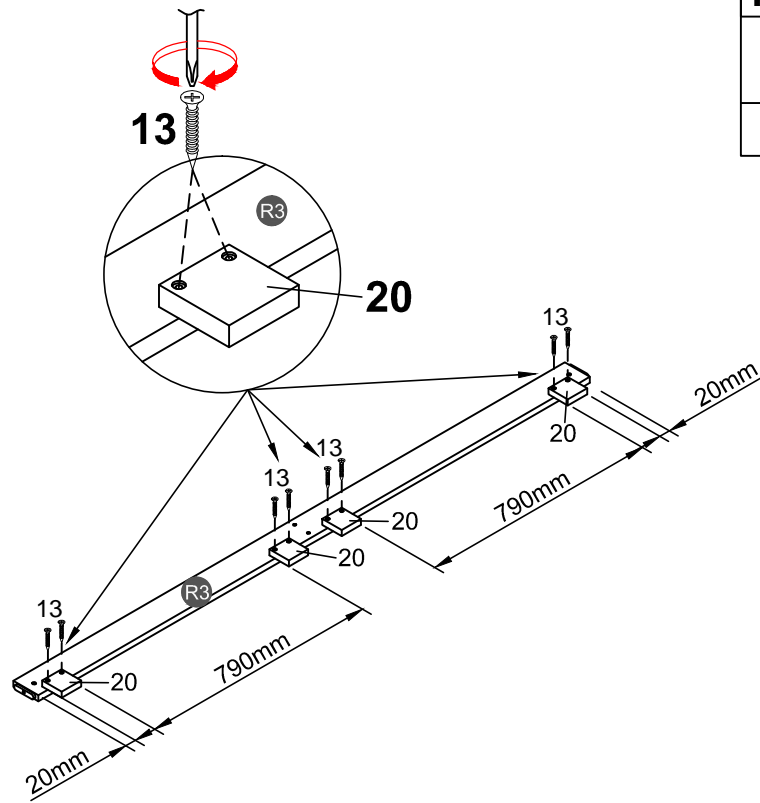



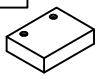
**STEP 18:**

<b>16</b>	
<b>1PC</b>	

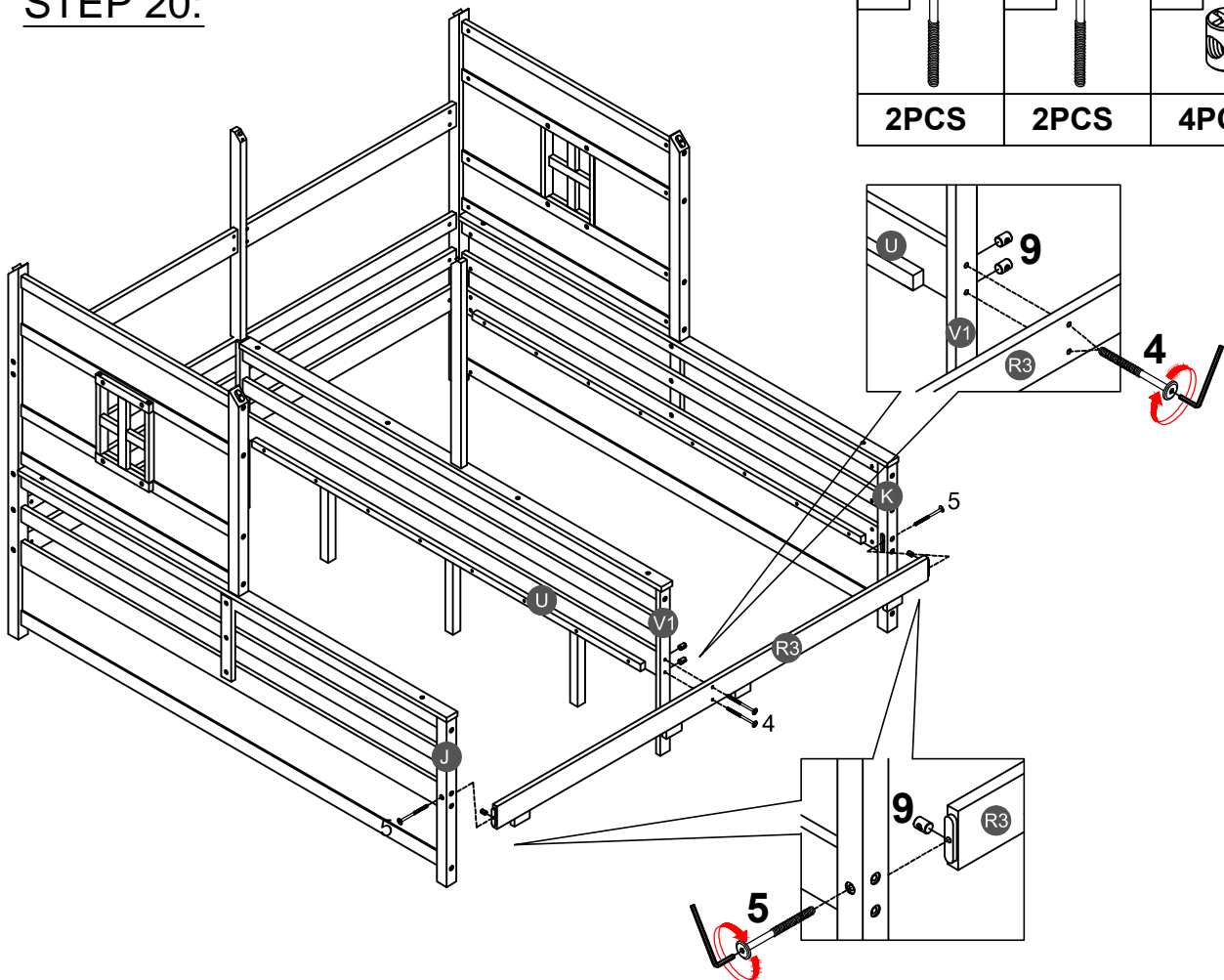





**STEP 19:**



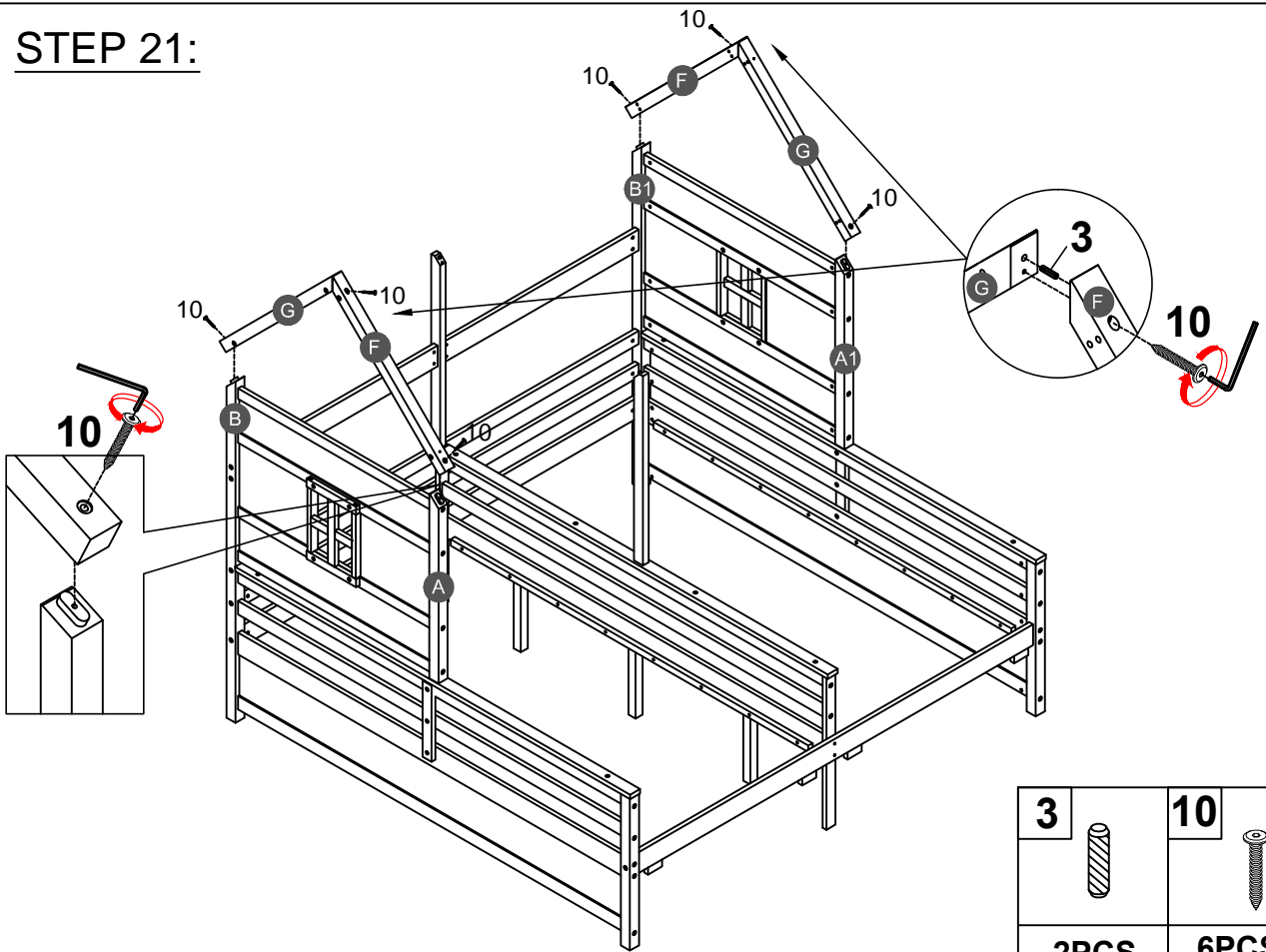
<b>13</b>		<b>20</b>	
	<b>8PCS</b>		<b>4PCS</b>



**STEP 20:**



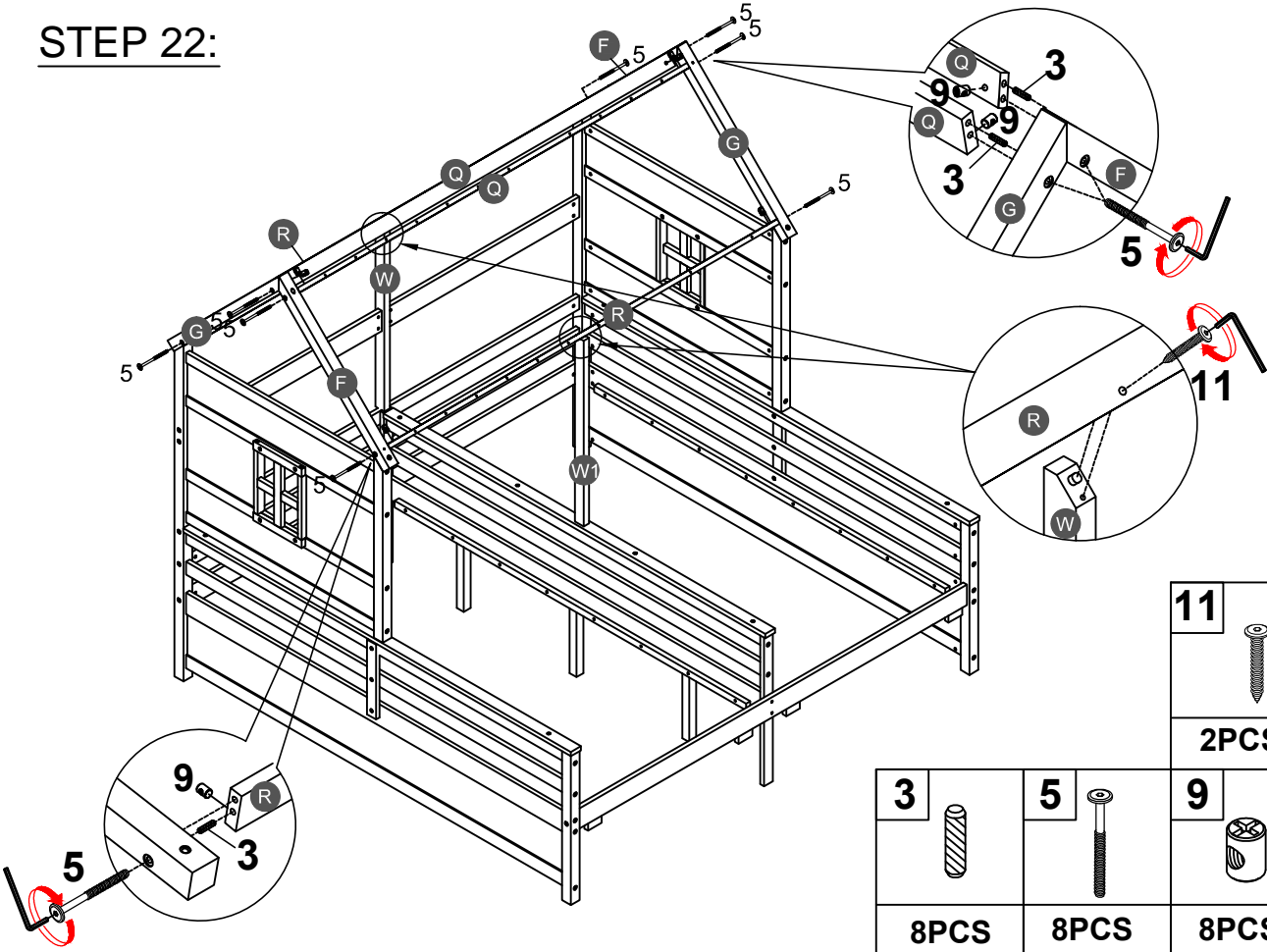
<b>4</b>		<b>5</b>		<b>9</b>	
	<b>2PCS</b>		<b>2PCS</b>		<b>4PCS</b>




**STEP 21:**




<b>3</b>		<b>10</b>	
<b>2PCS</b>		<b>6PCS</b>	

**STEP 22:**

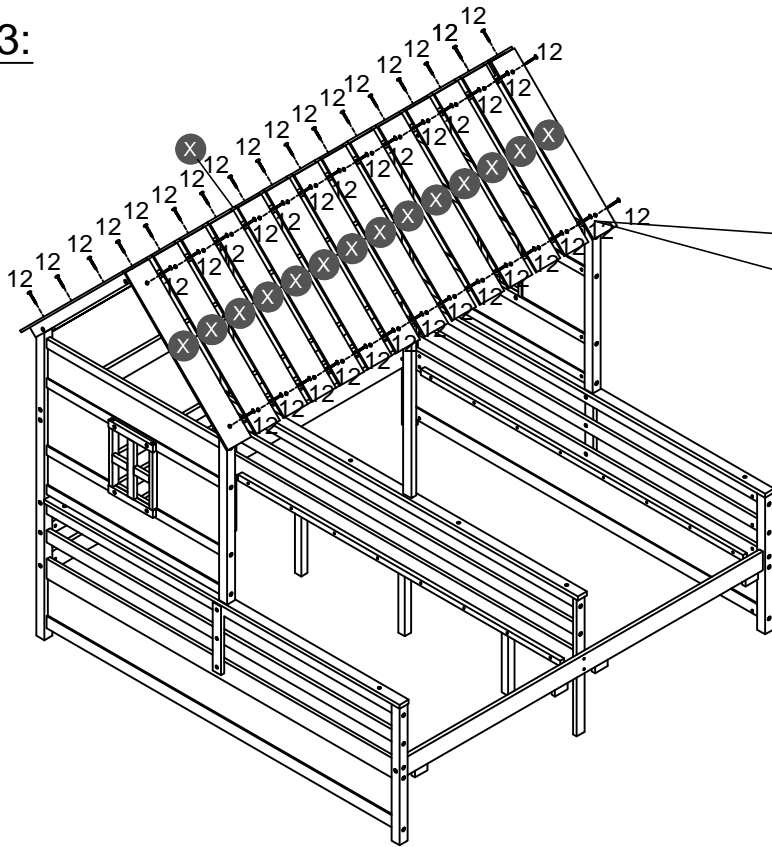



<b>3</b>		<b>5</b>		<b>9</b>	
<b>8PCS</b>		<b>8PCS</b>		<b>8PCS</b>	

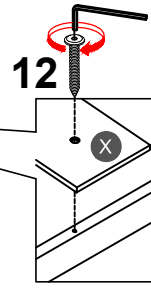
<b>11</b>	
<b>2PCS</b>	



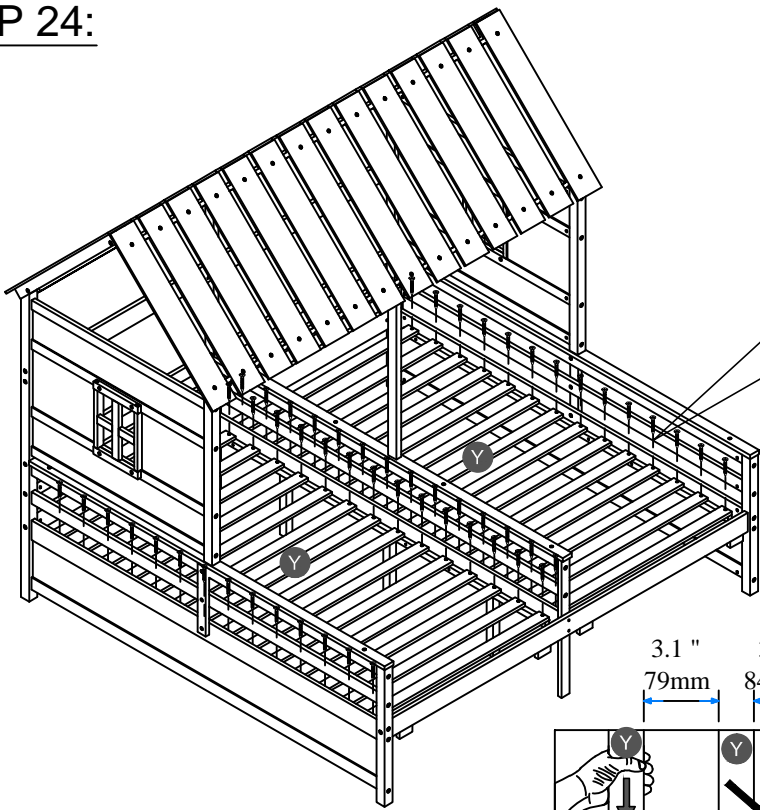
**STEP 23:**




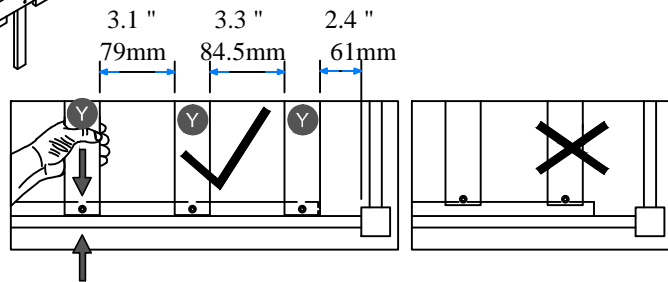
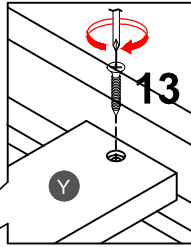
<b>12</b>	
<b>56PCS</b>	



**STEP 24:**

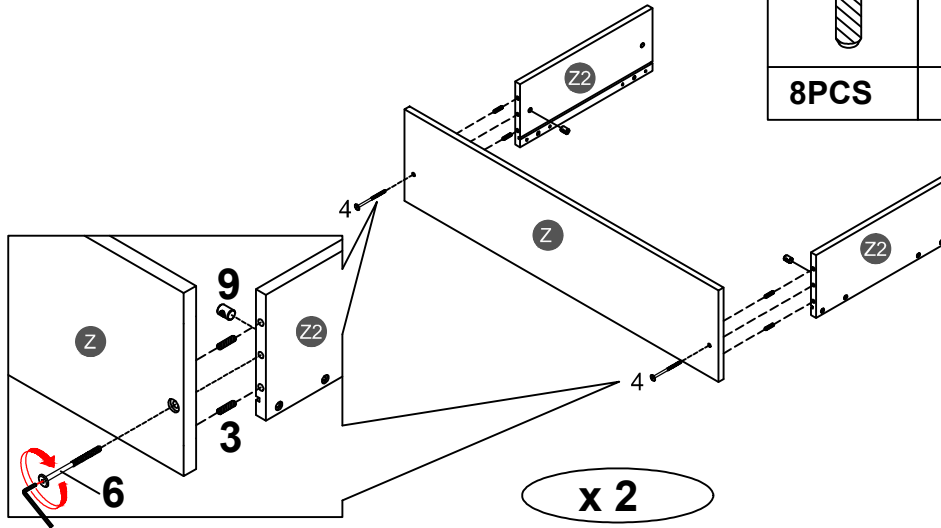


<b>13</b>	
<b>56PCS</b>	



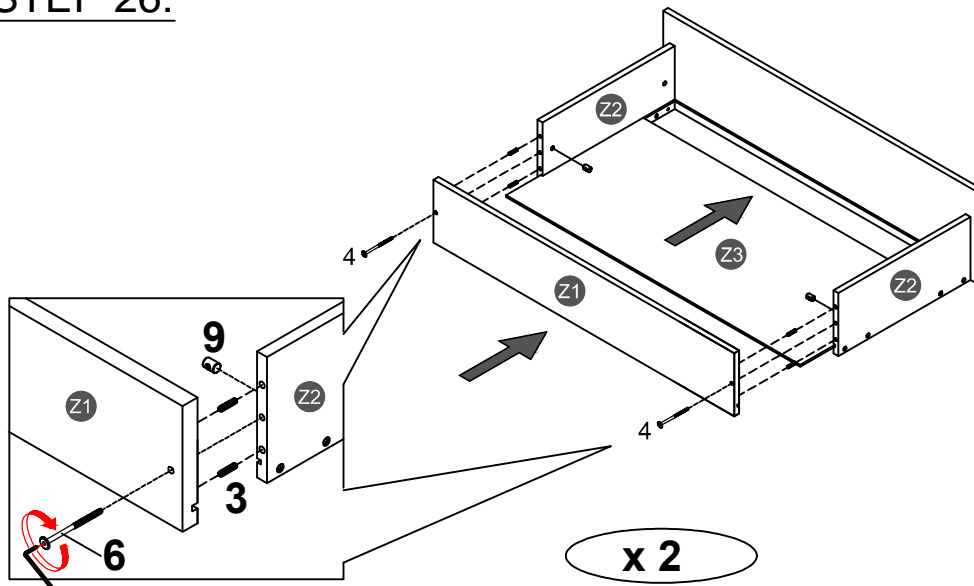
**NOTE:** Please make sure the bed slats close to the side rail before locking the screws to avoid breakage. This step is required for both the left and right sides. Moreover, please do not lock the screws of the bed slats at the outermost edge to avoid damaging.

**STEP 25:**



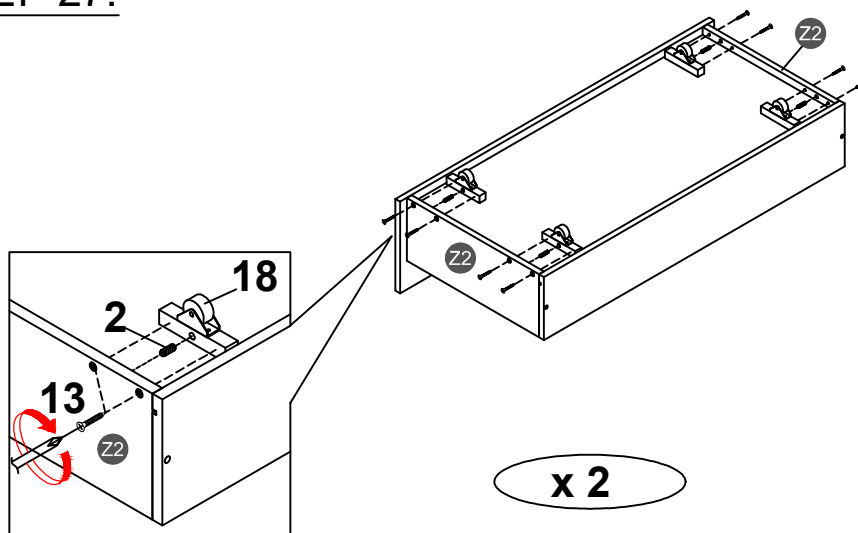
<b>3</b>		<b>6</b>		<b>9</b>	
<b>8PCS</b>		<b>4PCS</b>		<b>4PCS</b>	

**STEP 26:**



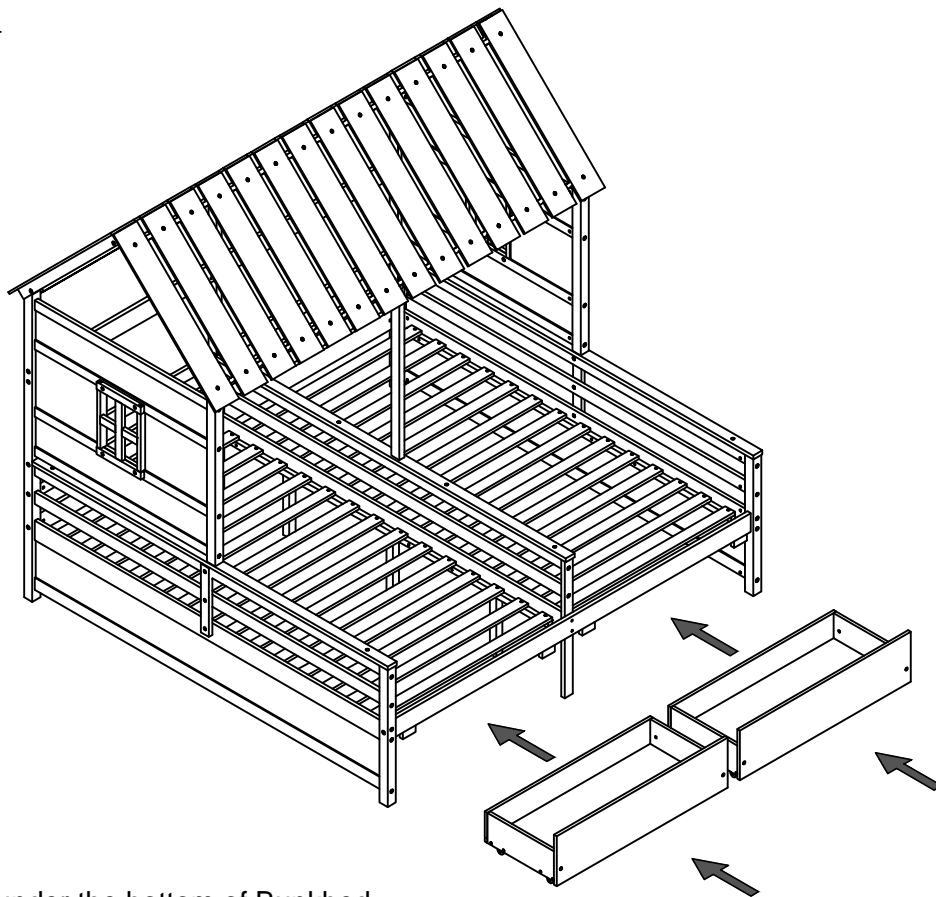
<b>3</b>		<b>6</b>	
<b>8PCS</b>		<b>4PCS</b>	
		<b>9</b>	
<b>4PCS</b>			

**STEP 27:**

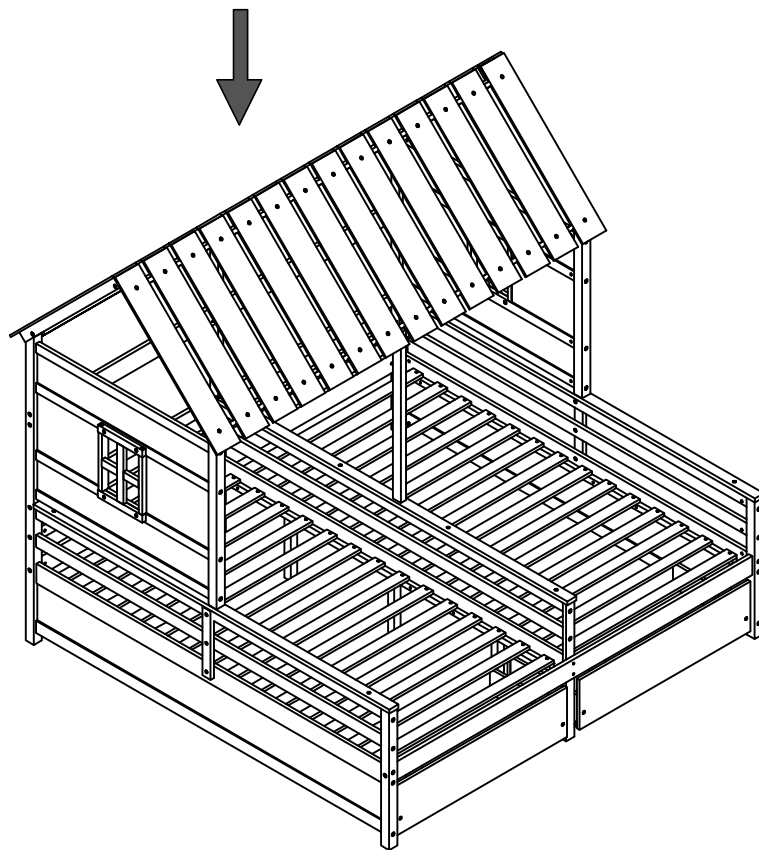


<b>2</b>		<b>13</b>	
<b>8PCS</b>		<b>16PCS</b>	
		<b>18</b>	
<b>8PCS</b>			

**STEP 28:**



Push Drawers under the bottom of Bunkbed.



**Make sure to tighten all the screws of the bed.**