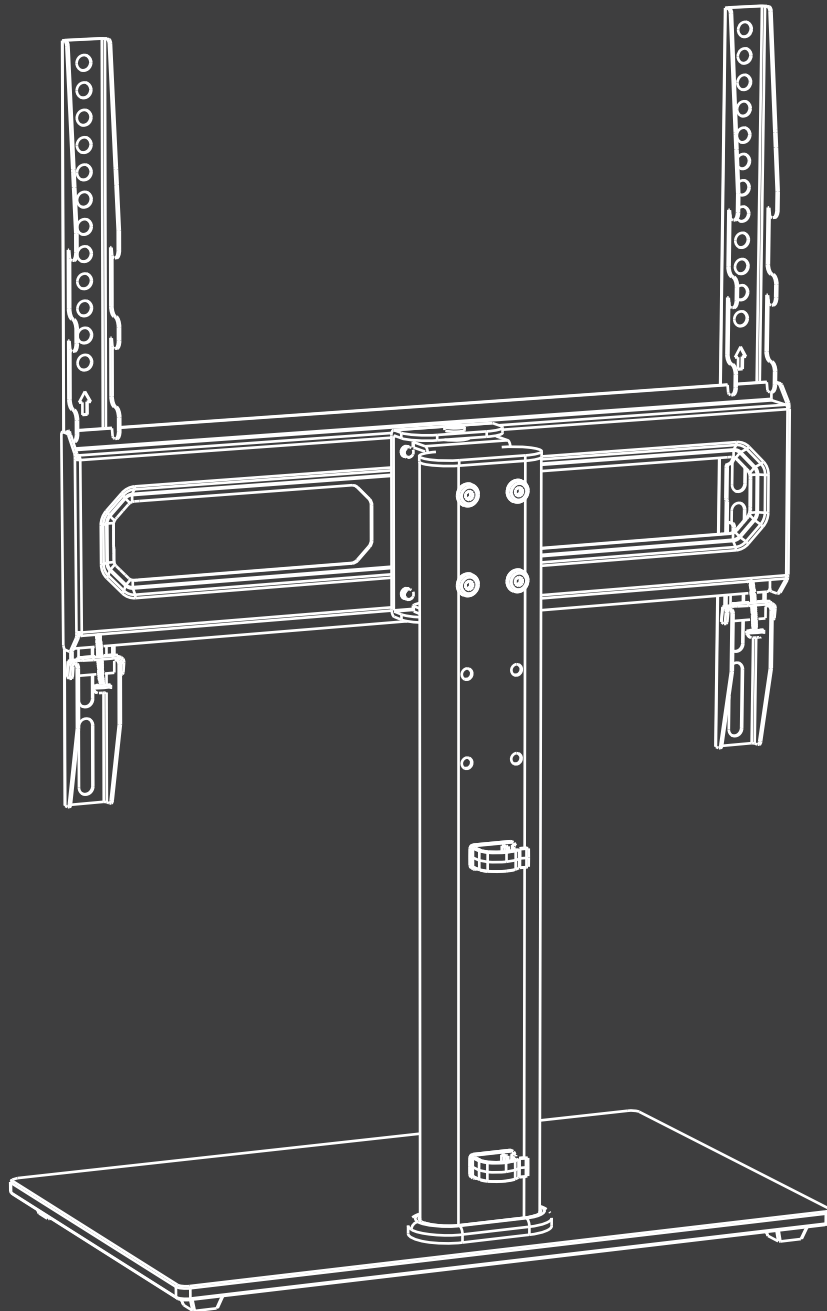


# TV Stand

## Instruction Manual

DZJ-G01-BK



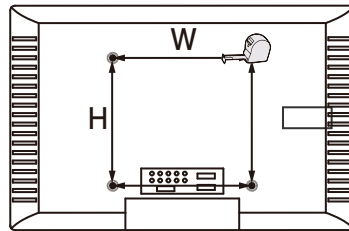
 EST 9:00AM--17:00PM

 [HJ-Customer-Service@outlook.com](mailto:HJ-Customer-Service@outlook.com)

 (909)637-7665 | (909)637-7593

# Before getting started, let's make sure this stand is compatible.

**1** Is the VESA pattern of your TV 100 x 100mm (3.9 x 3.9") to 400 x 400mm (15.7 x 15.7") ?



Yes – Perfect!

No – This stand is NOT compatible.

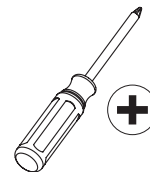
**2** Does your TV (including accessories) weigh less than 99 lbs (45 kg) ?



Yes – Perfect!

No – This stand is NOT compatible.

**3** Tools Needed (NOT Included)

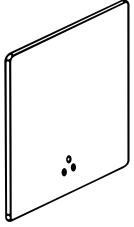


Screwdriver

# 1 Package List

---

**a**



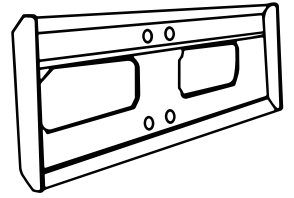
x1  
Motherboard

**b**



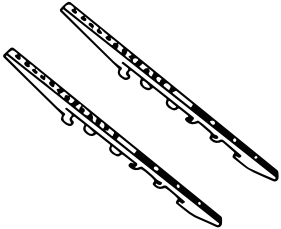
x1  
Column

**c**



x1  
Panel

**d**



x2  
Monitor Brackets

**e**



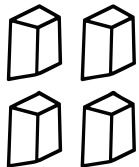
x1  
Shaft

**f**



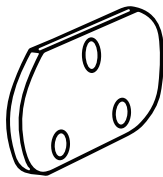
x1  
Shaft

**A**



x4  
Rubber Feet

**B**



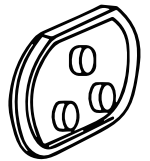
x1  
Gasket

**C**



x3  
Screw  
M6\*25mm

**D**



x1  
Base

**E**



x2  
Cable Buckle

**F**



x4  
Screw  
M6\*35mm

**G**



x2  
Nut  
M6

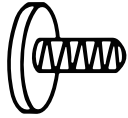
**H**



x2  
Screw  
M6\*16mm

**I**

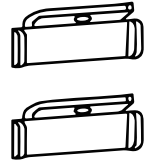
**x2**  
**Washer**  
M6\*18\*1.5mm

**J**

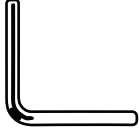
**x4**  
**Screw**  
M6\*8mm

**K**

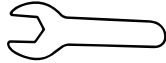
**x2**  
**Screw**  
M5\*30mm

**L**

**x2**  
**Safety Lock**

**M**

**x1**  
**Wrench**  
4mm

**N**

**x1**  
**Wrench**  
10mm

## 2 TV Screw Kit



**1** **x4** Screw  
M4\*16mm



**2** **x4** Screw  
M4\*30mm



**3** **x4** Screw  
M6\*16mm



**4** **x4** Screw  
M6\*30mm



**5** **x4** Screw  
M8\*16mm



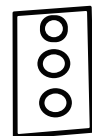
**6** **x4** Screw  
M8\*45mm



**7** **x8** Washer  
17.5\*8.5\*5mm

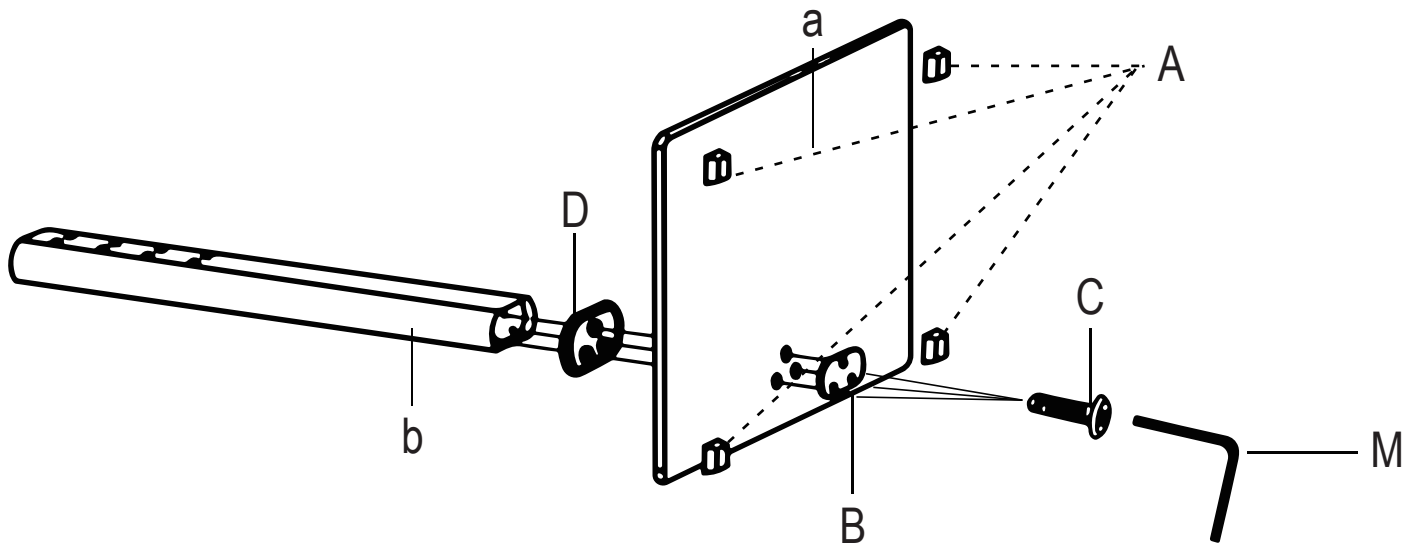


**8** **x8** Washer  
17.5\*8.5\*10mm



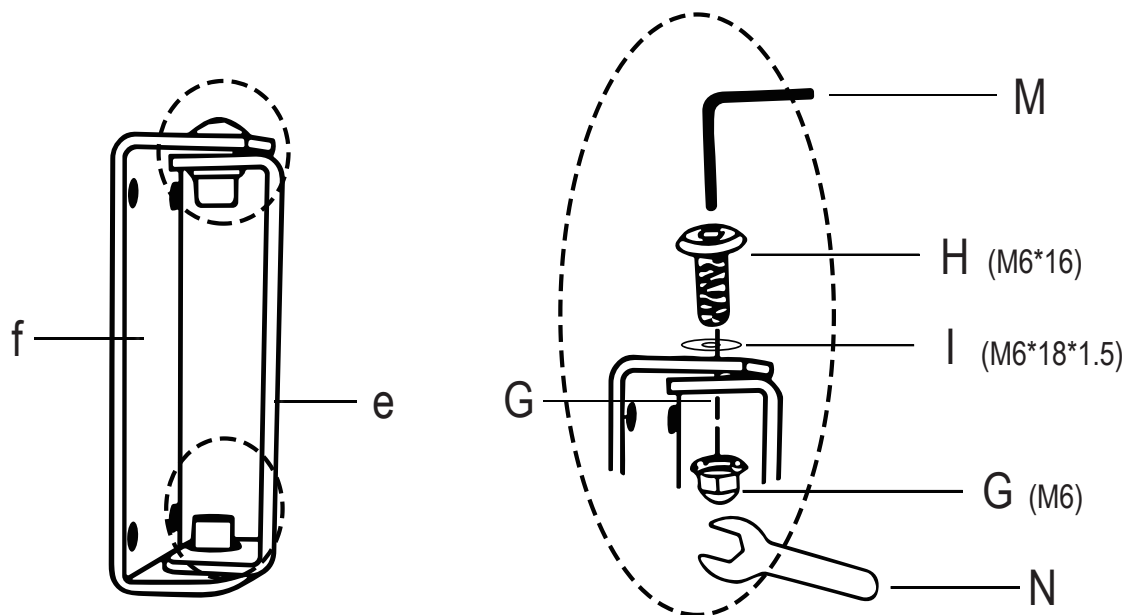
**9** **x4** Gasket

## Step 1



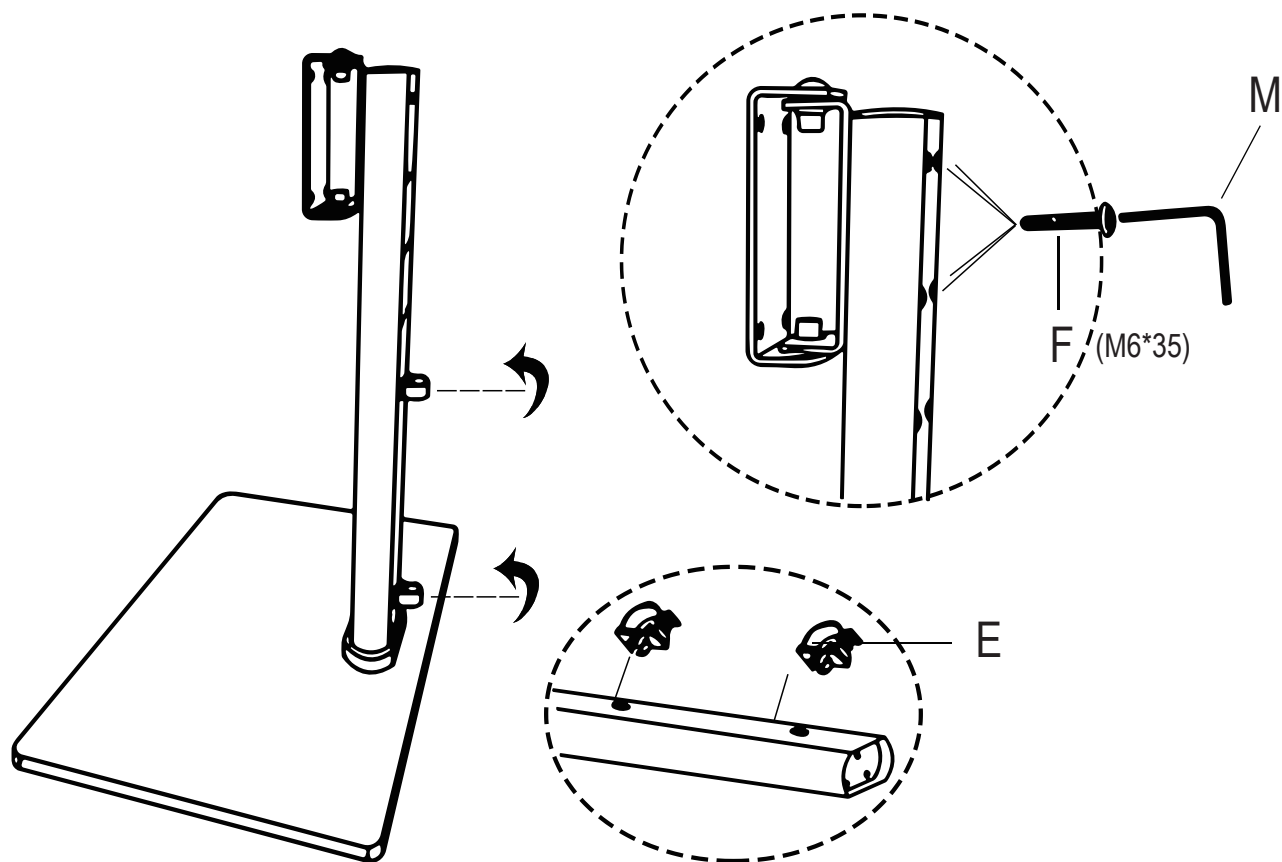
Attach the Rubber Feet A\*4 to the four corners of the Motherboard a, then pass the Screws C\*3 through the Gasket B, the Motherboard a, the Base D and the Column b in turn, and tighten them with the Wrench M.

## Step 2



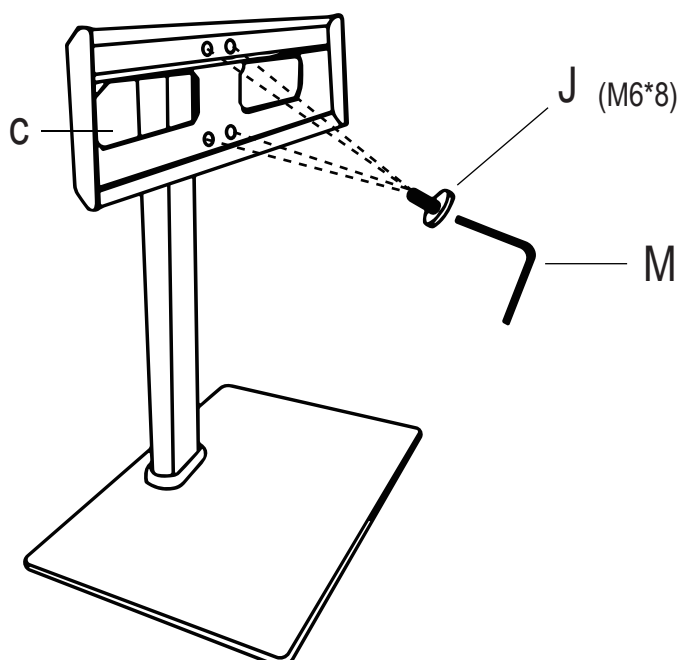
Stack the Shaft e and Shaft f. The Screws H\*2 passes through the Shaft and connects with the Washers I\*2 and Nuts G\*2 to be tightened with Wrenches M and N.

## Step 3



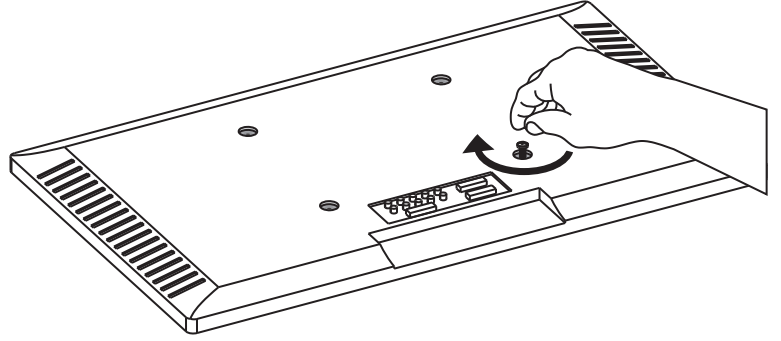
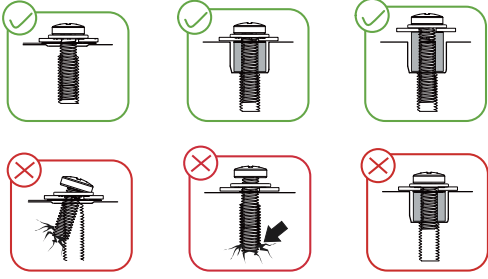
Attach the mounted rotating Shaft to Column b with Screws F\*4 and Wrench M. Then attach the Cable Buckle E\*2 to Column b.

## Step 4



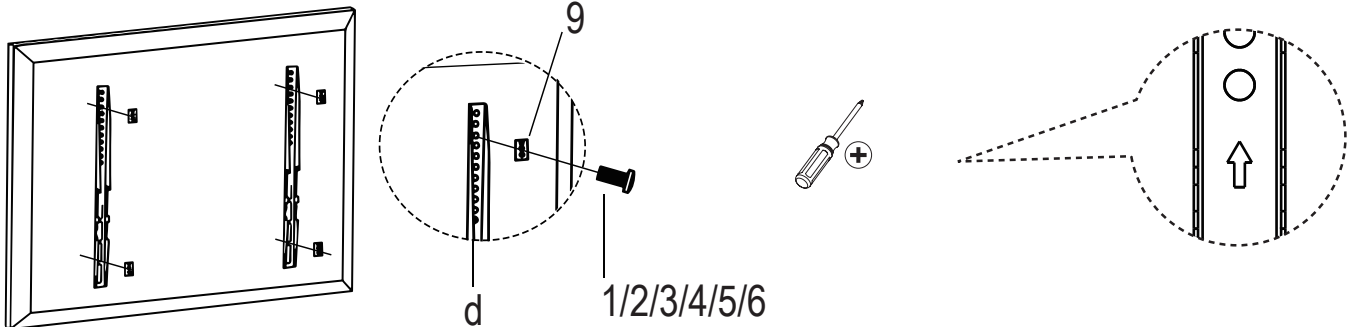
Attach Panel c to the mounted rotating Shaft with Screws J\*4 and tighten it with a Wrench M.

## Step 5-1 Select the screws



Place the screws into the screw holes on the back of the TV to determine which screw will work. It takes at least 4-5 turns in the borehole. Do not rotate past the bottom of the hole.

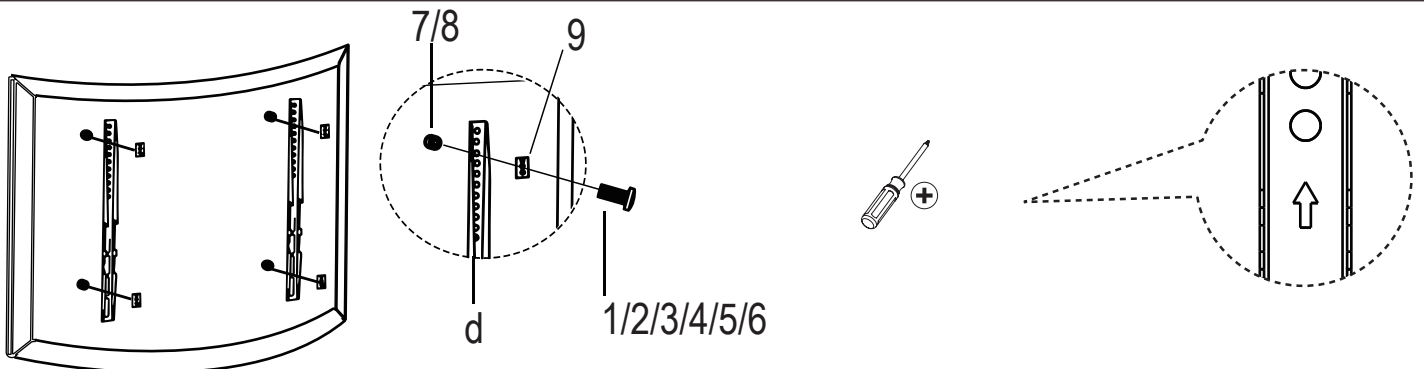
## Step 5-2 Flat-Panel TV



Select the appropriate screws (1/2/3/4/5/6) according to the size of the TV back panel holes, and then tighten the screws through the Gasket 9\*4 and the Monitor Brackets d\*2 with a screwdriver.

**Note:** Washers can be added to accommodate the length of the screws and the back of the TV if needed.

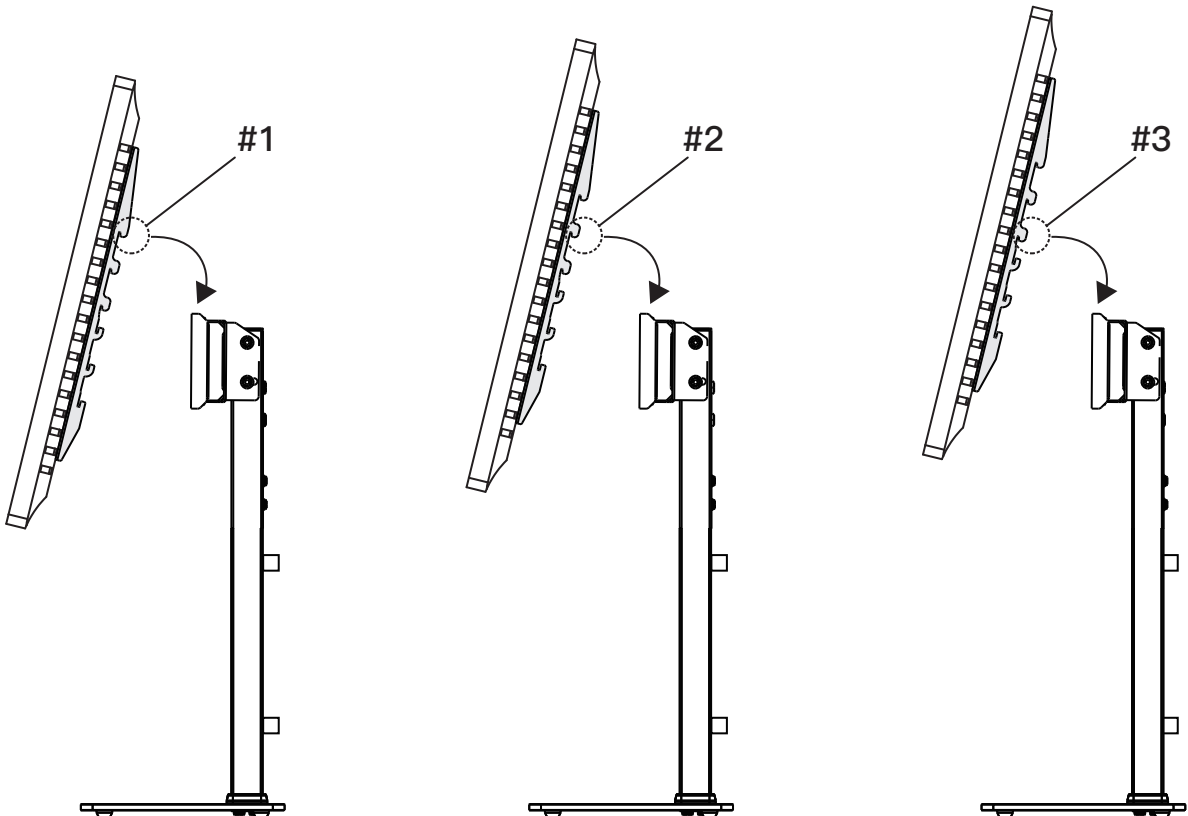
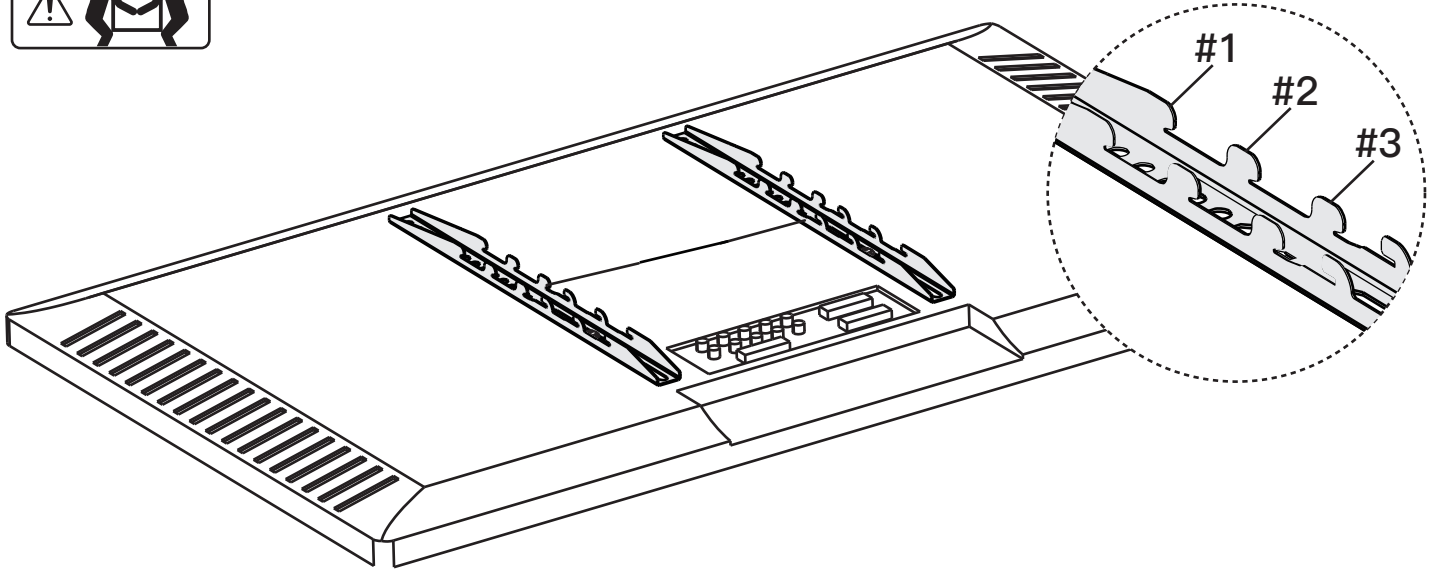
## Step 5-3 Curved TV



Select the appropriate screws (1/2/3/4/5/6) according to the size of the TV back panel holes, and then tighten the screws through the Gasket 9\*4, Monitor Brackets d\*2 and the Washer(7/8) with a screwdriver.

**Note:** The washer must be high enough that the curved back of the TV does not interfere with the mounting plate.

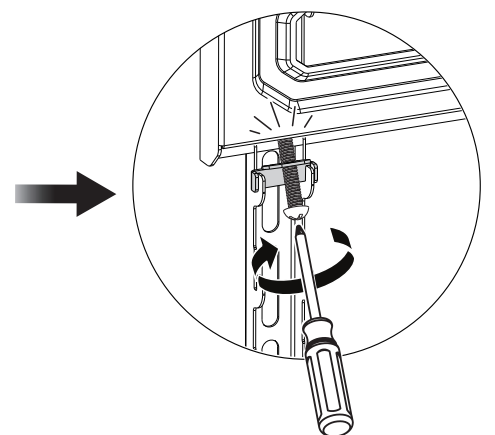
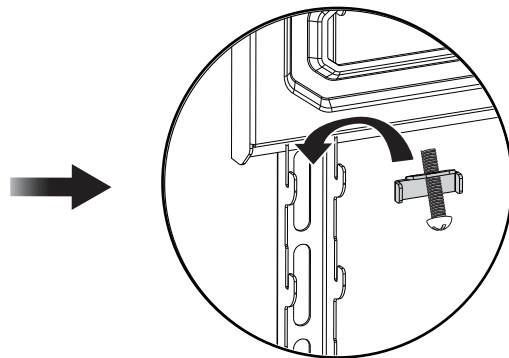
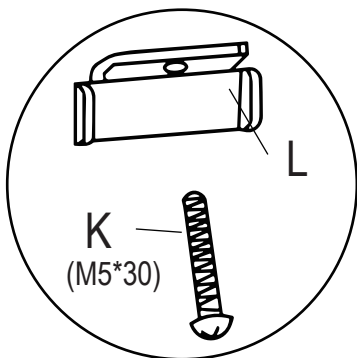
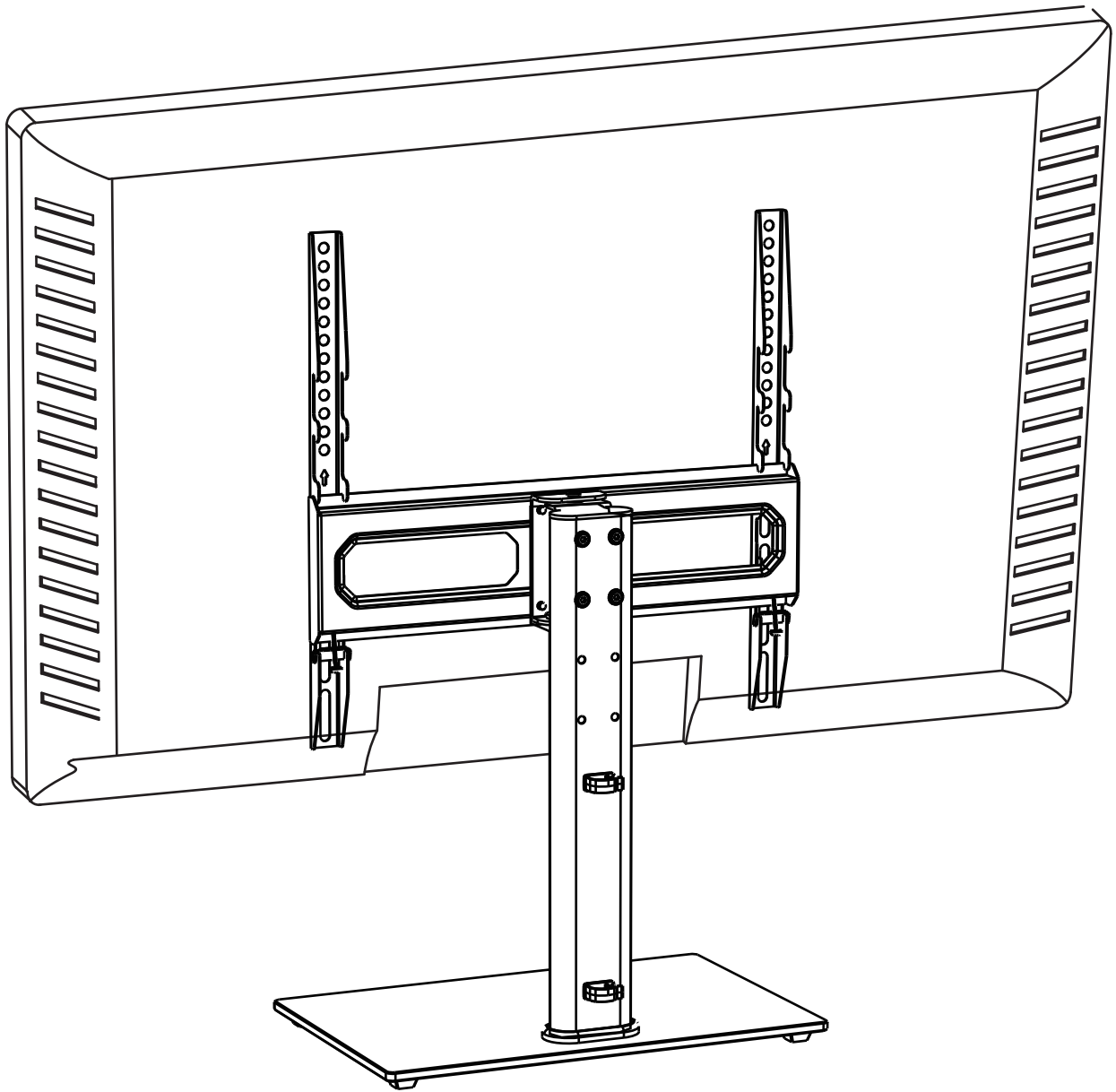
# Step 6



The Monitor Brackets has three sets of hooks. Before installing the TV, choose the right hook.

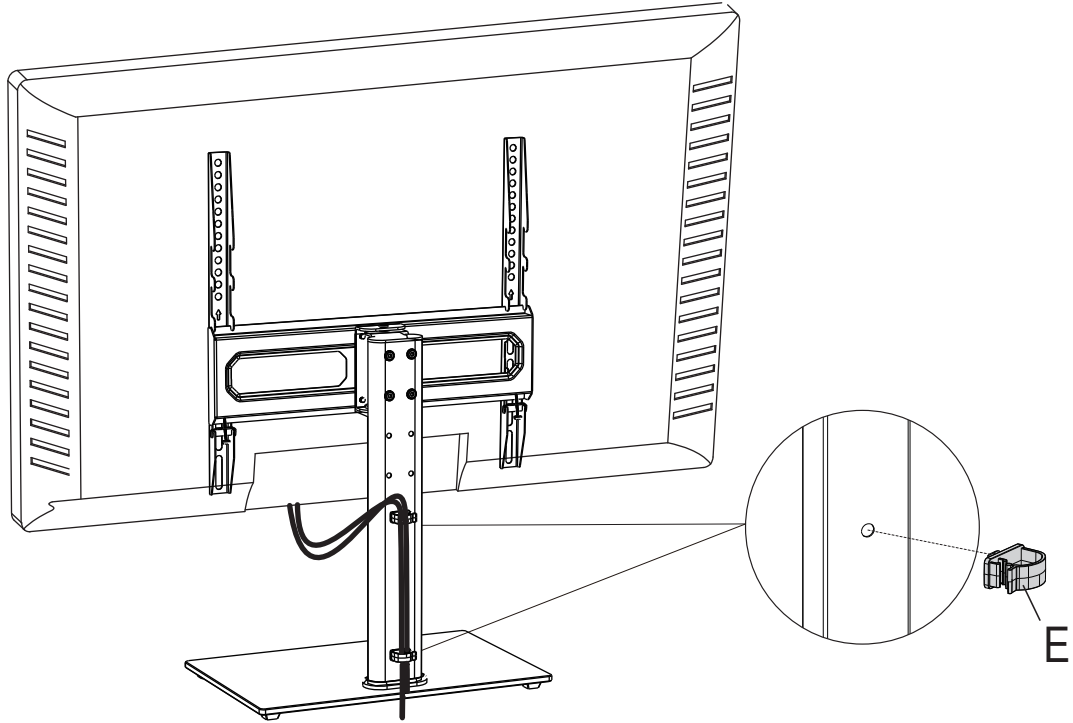


## Step 7



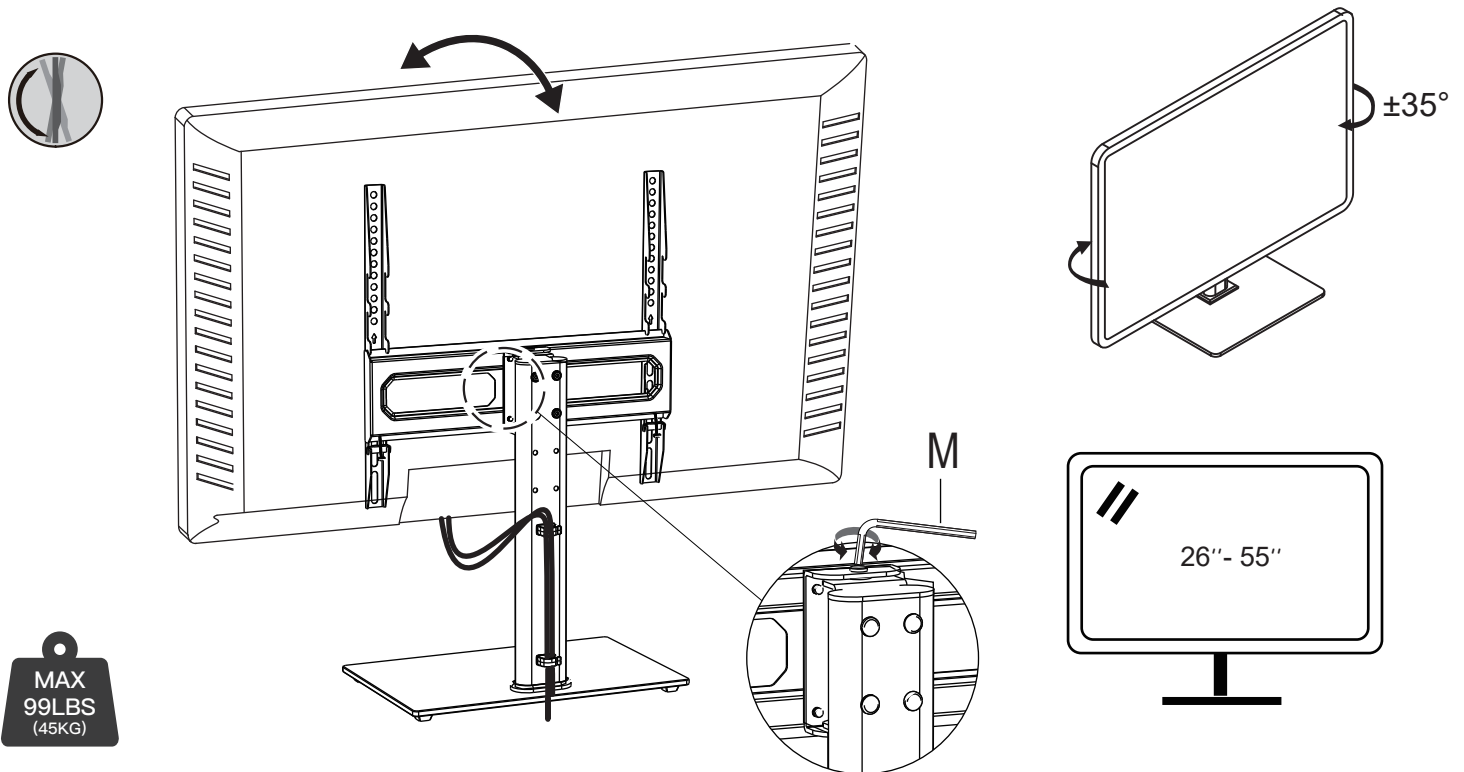
Insert the Screw K\*2 through the Safety Lock L\*2 into the upward hook located directly below the horizontal TV panel. Tighten the screws until they touch the TV back panel.

## Step 8

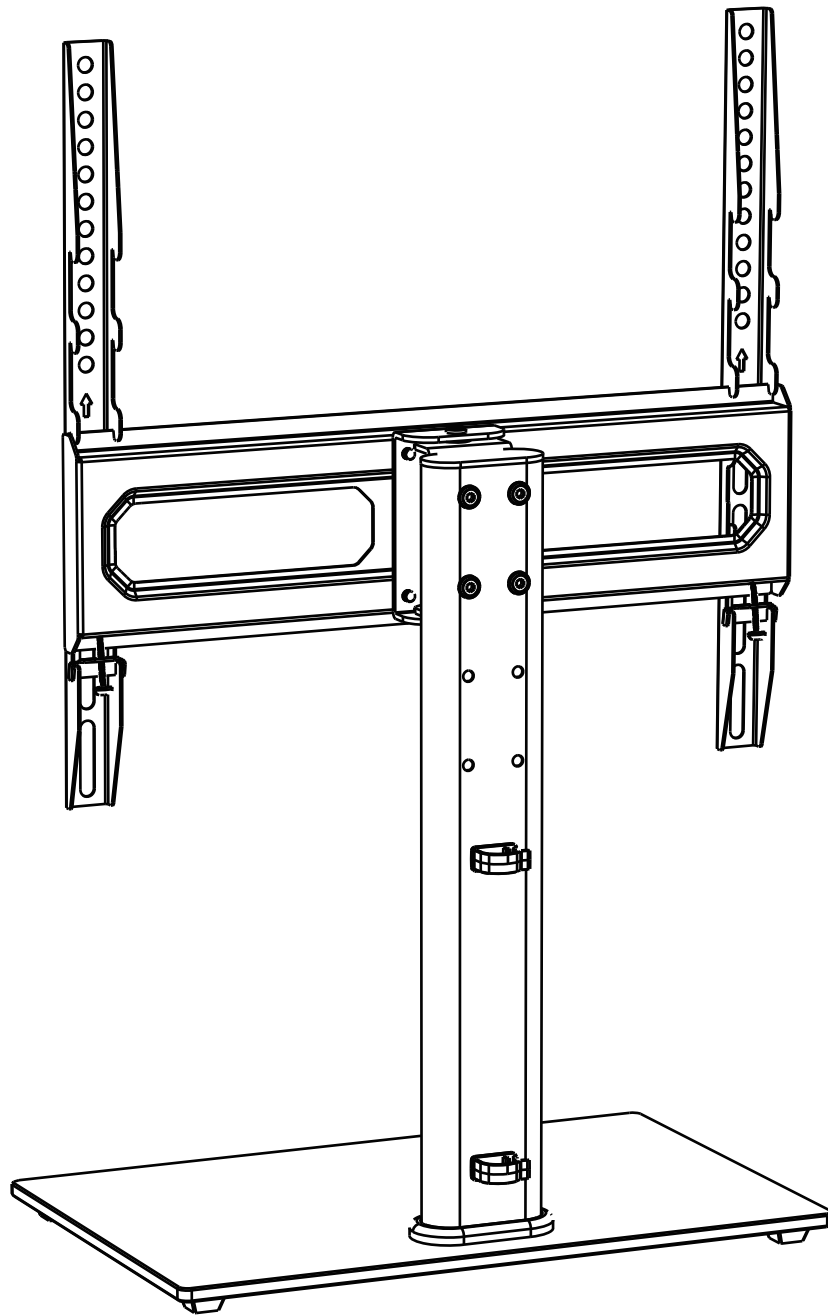


Conceal the cable of the TV into the Cable Buckle E\*2.

## Step 9



Tilt the TV to the desired angle. If it is difficult to tilt the TV, you can adjust the TV tilt angle by loosening or tightening the Wrench M adjustment screws H.



## Technical Support

(909)637-7665 | (909)637-7593

## Other Info

[HJ-Customer-Service@outlook.com](mailto:HJ-Customer-Service@outlook.com)

Thank you for choosing this product. We strive to provide you with the best quality products and service in the industry. Should you have any issues, please don't hesitate to contact us.