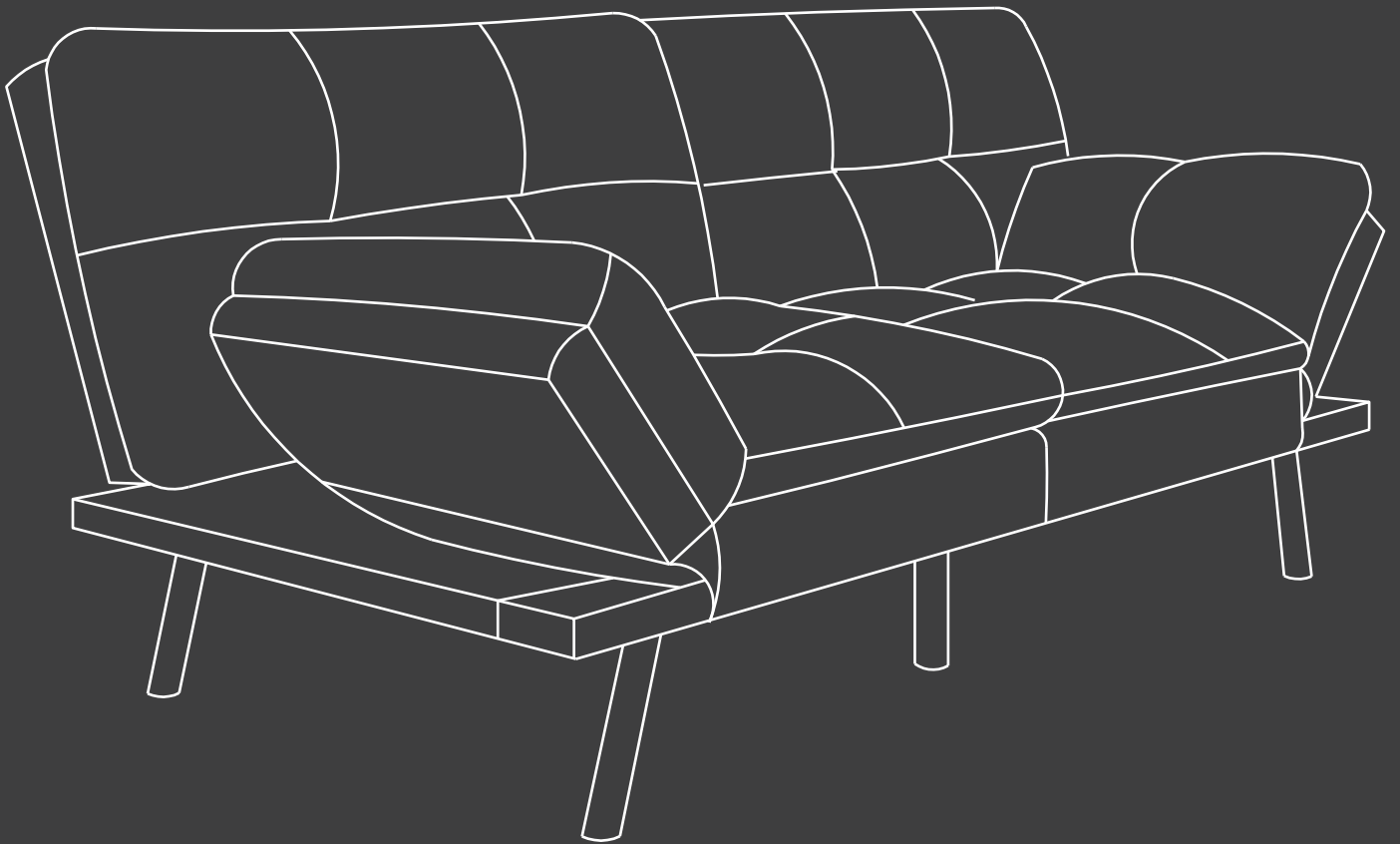


# Futon Sofa Bed

## Instruction Manual

SFC-6022



 EST 9:00AM--17:00PM

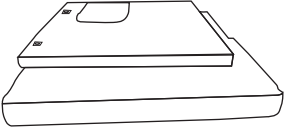
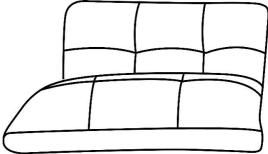

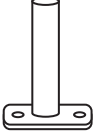
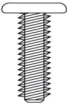
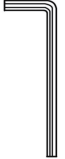
 [HJ-Customer-Service@outlook.com](mailto:HJ-Customer-Service@outlook.com)

 (909)637-7665 | (909)637-7593

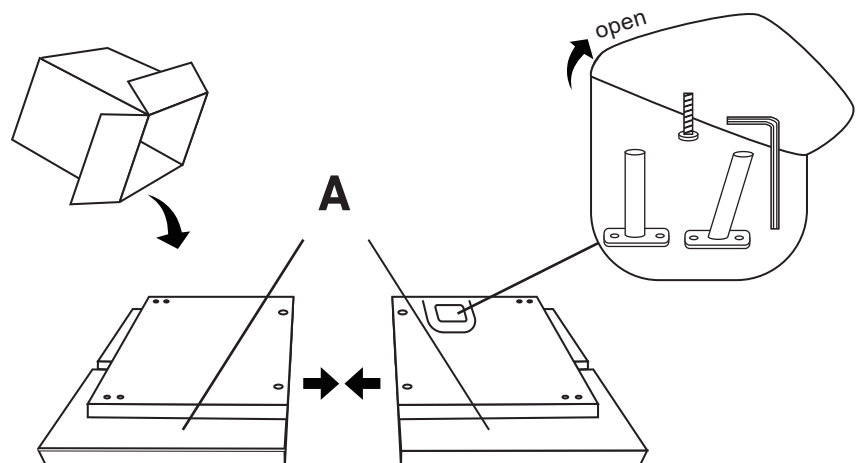
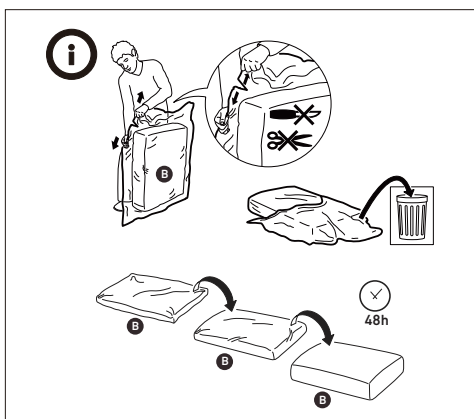
# READ BEFORE BEGINNING ASSEMBLY

- Read each step carefully. It is very important that each step or instruction is performed in the correct order. If these steps are not followed in sequence, assembly difficulties will occur.
- Make sure all parts are included. Most parts are labeled or stamped on the raw edge.
- Work in spacious area, preferably on a carpet, near the place the unit will be used.
- Do not use power tools to assemble your furniture. Power tools may strip or damage the parts.

## PACKAGE LIST

 <b>A*2</b> Futon Body	 <b>B*2</b> Futon Cushion	 <b>C*4</b> Side Legs	 <b>D*2</b> Middle Legs	 <b>E*12</b> Bolts M8*25MM	 <b>F*1</b> Wrench
--	---	---	---	---	--

## Step 1

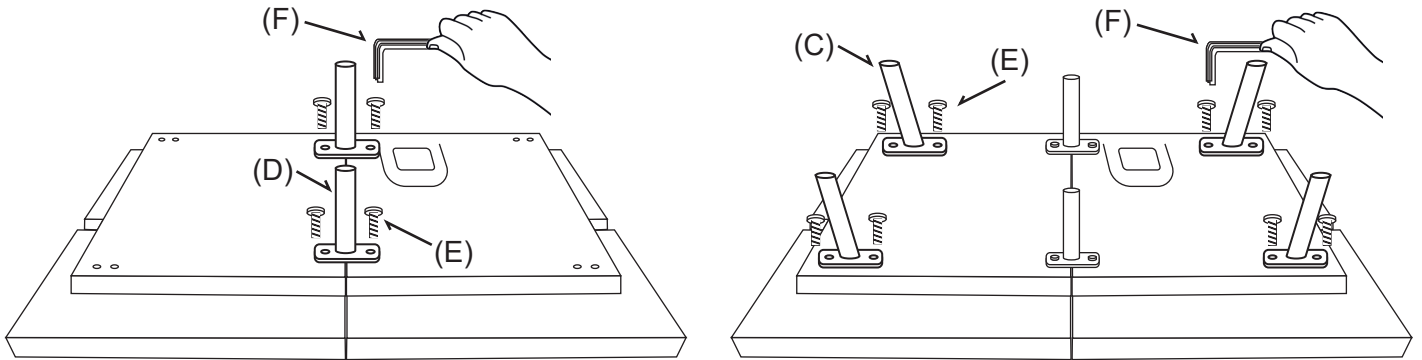


### NOTE:

Take out the backrest cushion "B" from the vacuum bag (do not use scissors or knives to cut the vacuum bag, tear it open by hand), and let it stand in a ventilated place for 48 hours to make it 80% fluffy.

Turn the futon body (**A**)\*2 upside down, place the two sides of the mounting middle legs close together. Take out the legs and hardware in the fabric zipper pocket on the underside of the sofa bed.

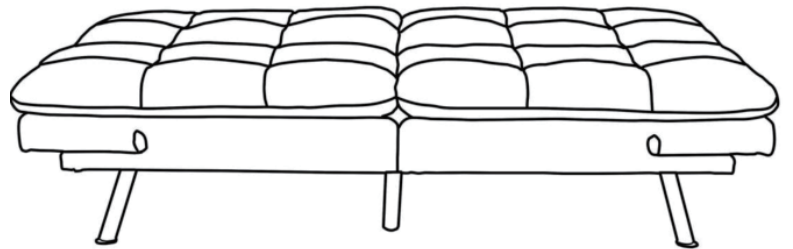
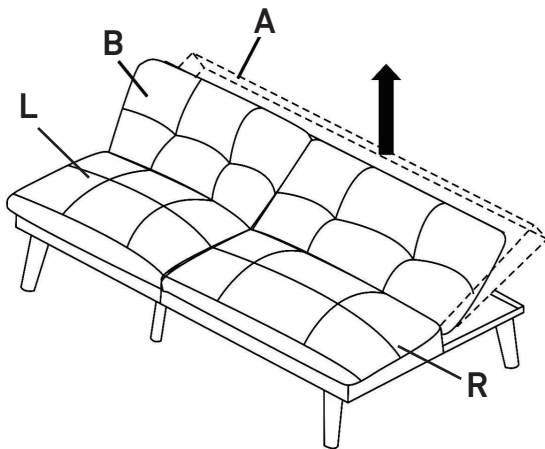
## Step 2



Attach the Middle Legs **(D)\*2** to the Futon Body **(A)** with Four Bolts **(E)\*4**, using the Wrench **(F)**

Attach the Side Legs **(C)\*4** to the Futon Body **(A)** with Eight Bolts **(E)\*8**, using the Wrench **(F)**.

## Step 3

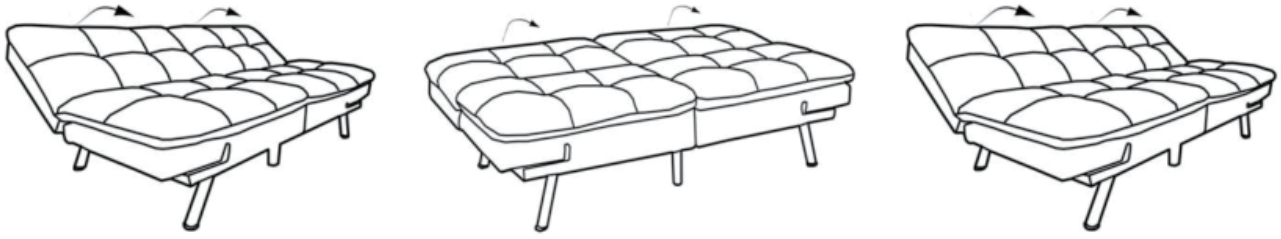


Put the Futon Cushion **(B)\*2** ON the Futon Body **(C)\*2**  
Flip the Futon over so it is supported on its legs, the assembly is complete.

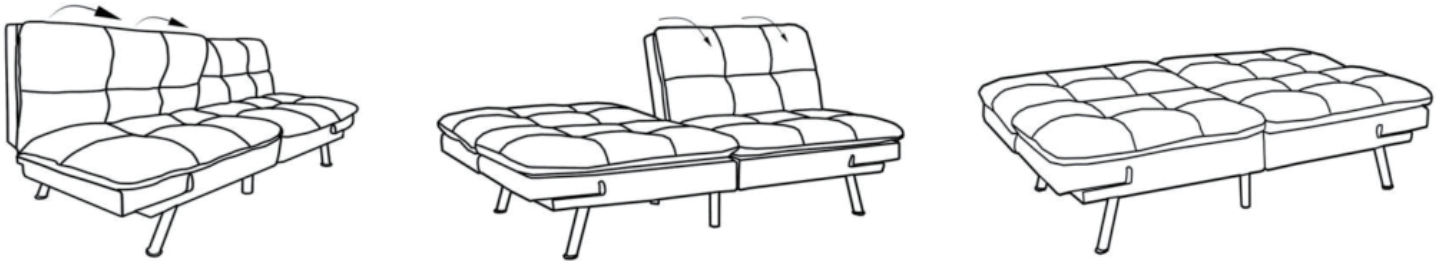
### NOTE:

When placing Futon Cushion **B \* 2** on Futon Body **A**, pay attention to distinguishing the left and right sides of the Futon Cushion.

# INSTRUCTIONS FOR USE



**Converting to sofa: in bed (flat) position, simply lift backrest or armrest upwards with each click sound until you reach the sofa position.**



**Converting to bed: from sofa or split position, lift backrest all the way upwards until the last click is heard, which unlocks the mechanism and carefully returns to a flat position.**

## WARNING

- This futon has been designed for seating and as an alternate sleep product for up to two (2) average adults. To prevent injury and damage to this unit, PROHIBIT jumping on the seat and back.
- This product is designed for home use and not intended for commercial use.
- WARNING FOR YOUNG CHILDREN - This product contains small components, please ensure that they are kept away from small children. Children under the age of 5, small infants and babies must not sleep on this futon for safety reasons.

## Technical Support

(909)637-7665 | (909)637-7593

## Other Info

HJ-Customer-Service@outlook.com

Thank you for choosing this product. We strive to provide you with the best quality products and service in the industry. Should you have any issues, please don't hesitate to contact us.