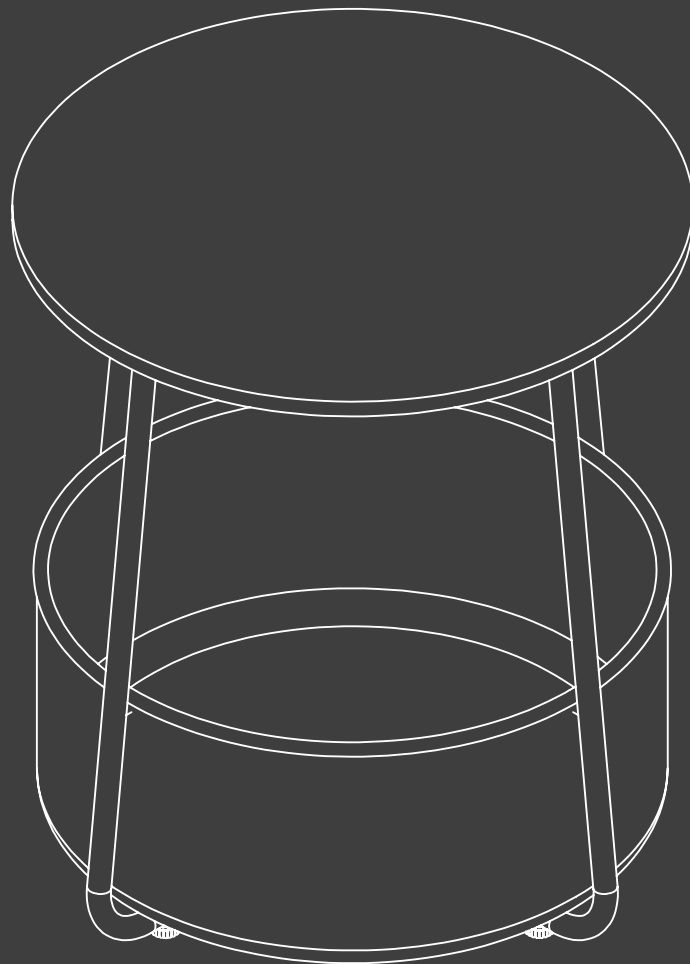


Round End Table

Instruction Manual

D-YZ01-WTBG
D-YZ01-BKGY



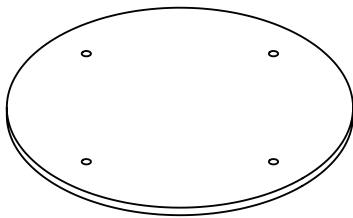
✉ HJ-Customer-Service@outlook.com

☎ (909)637-7665 | (909)637-7593

EST 9:00AM--17:00PM

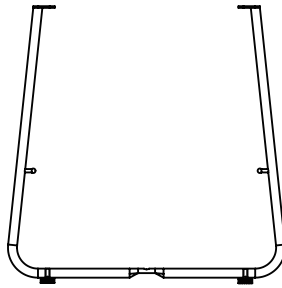
1 Component List

A X1



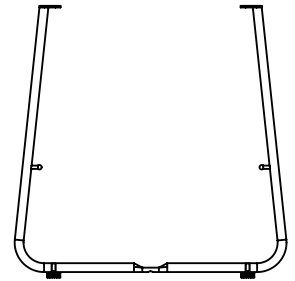
Board

B X1



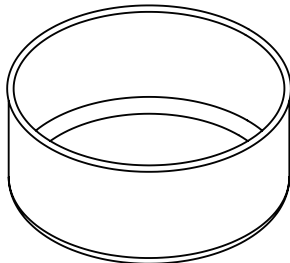
Upper iron feet

C X1



Bottom iron feet

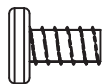
D X1



Fabric basket

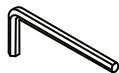
2 Supplied Parts and Hardware

1 X5





Bolts
M6x12mm

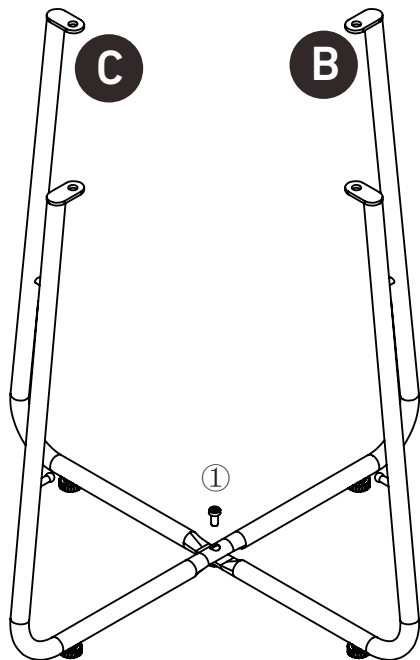
2 X1





Wrench

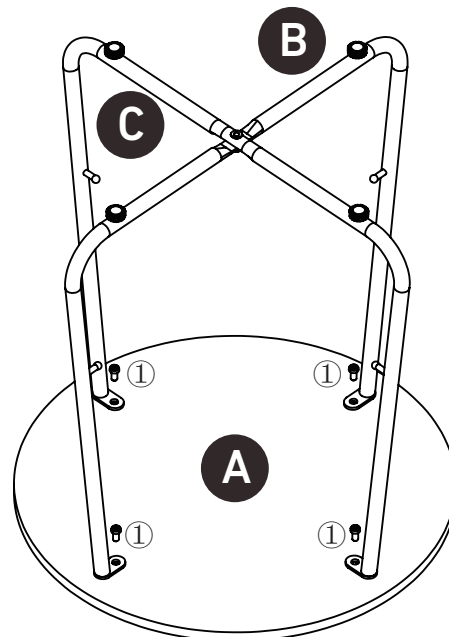
Step 1

①	 X 1 M6x12mm
②	 X 1



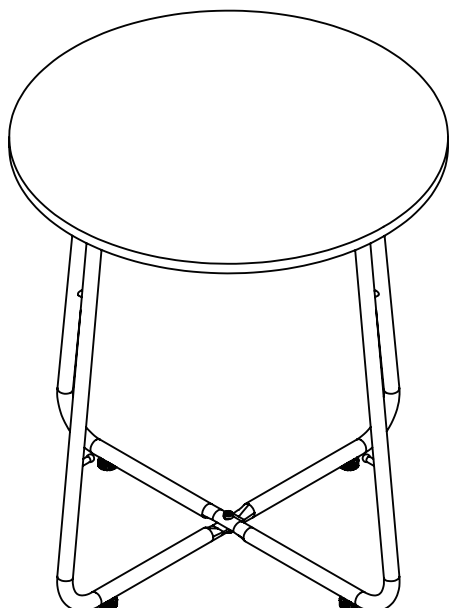
Step 2

①	 X 4 M6x12mm
②	 X 1

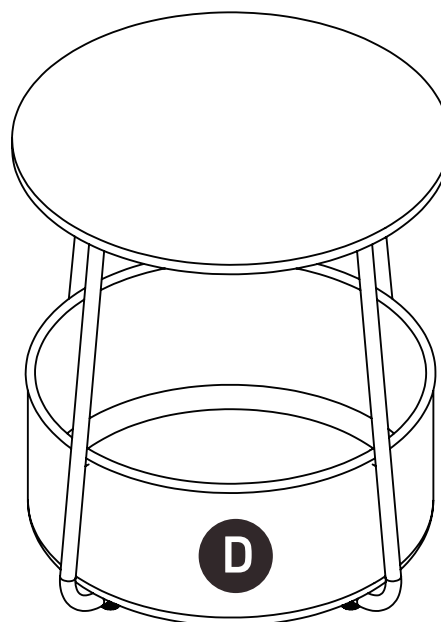


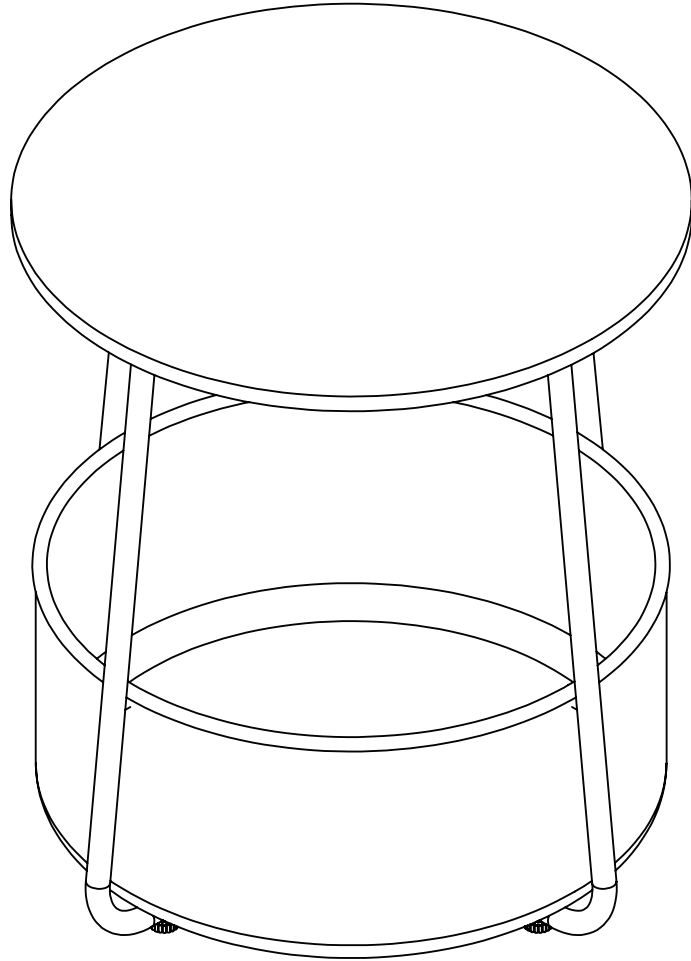
Note: Please align the iron feet and board holes during installation.

Step 3



Step 4





Technical Support

(909)637-7665 | (909)637-7593

Other Info

HJ-Customer-Service@outlook.com

Thank you for choosing this product. We strive to provide you with the best quality products and services in the industry. Should you have any issues, please don't hesitate to contact us.