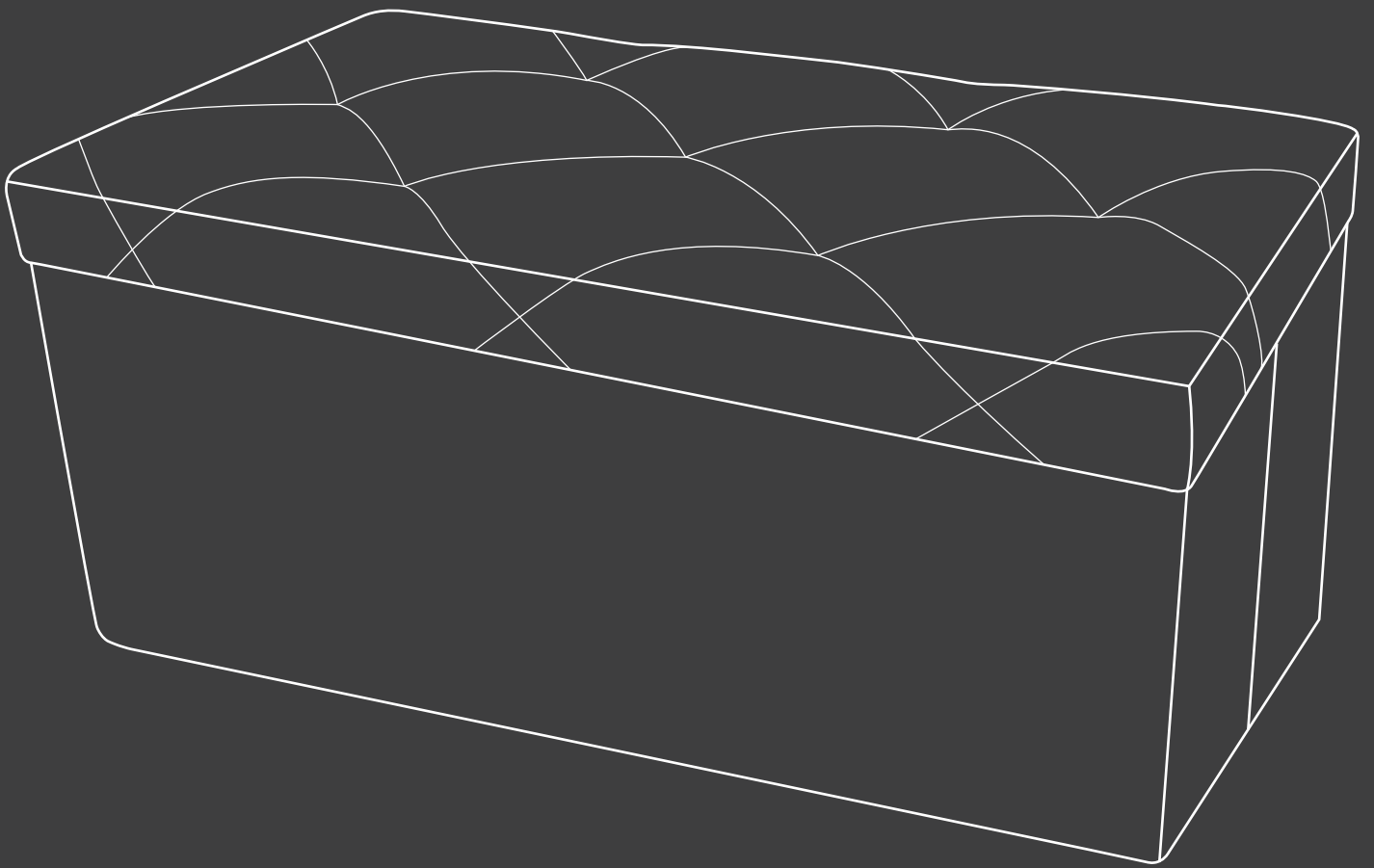


# Storage Ottoman

## Instruction Manual

STO-76PE



✉ [HJ-Customer-Service@outlook.com](mailto:HJ-Customer-Service@outlook.com)

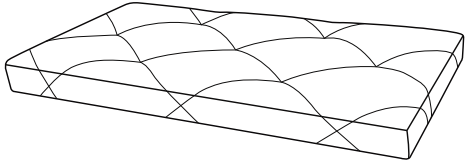
☎ (909)637-7665 | (909)637-7593

EST 9:00AM--17:00PM

# 1 Package List

---

**A** X1



**Top Cap**

**B** X1

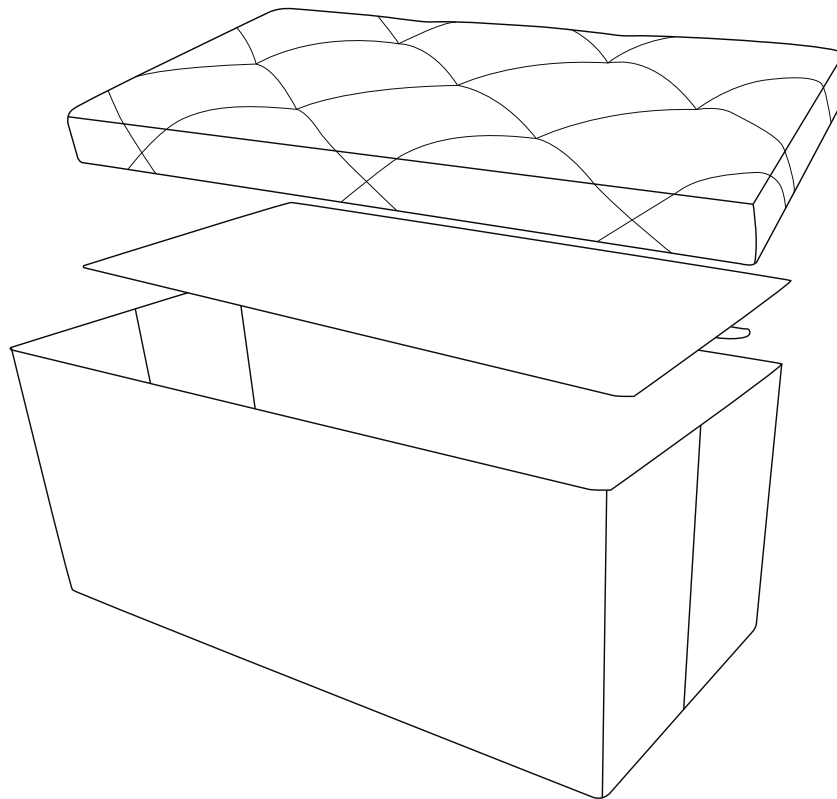


**Floor**

**C** X1

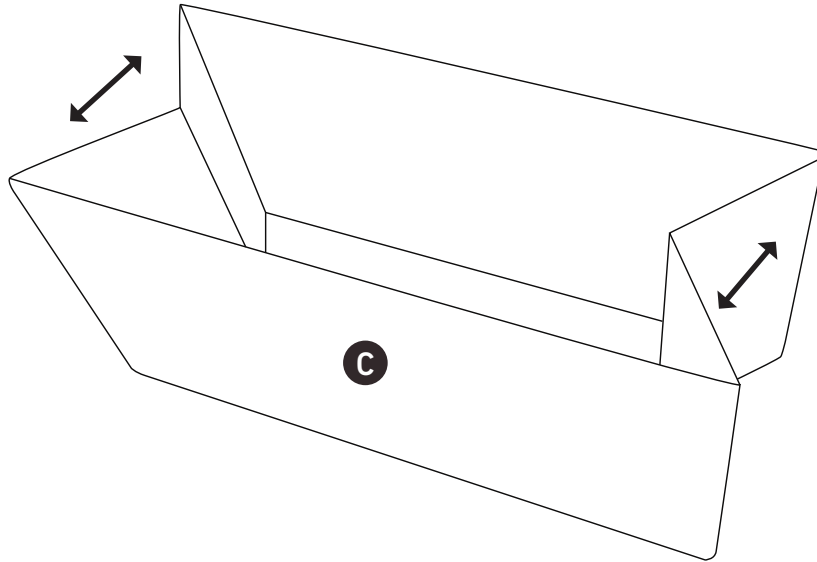


**Footstool**



## Step 1

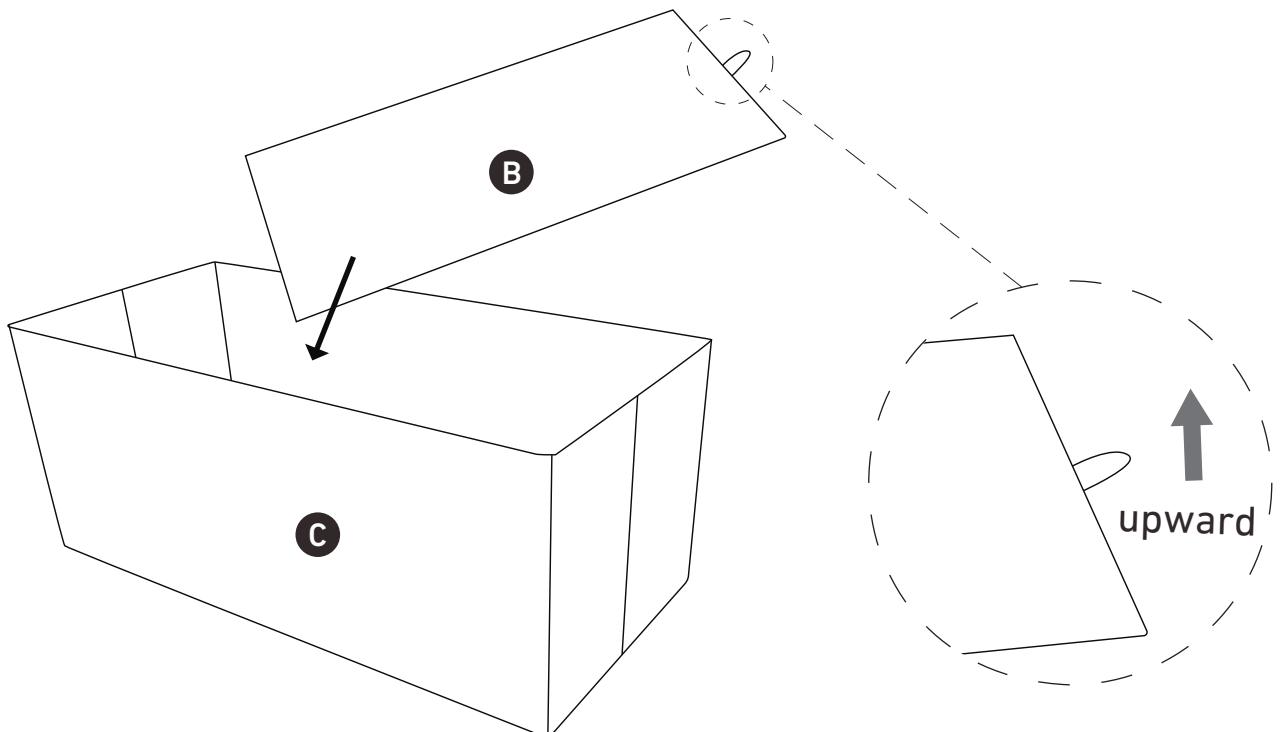
---



Unfold the footstool as shown in the picture.

## Step 2

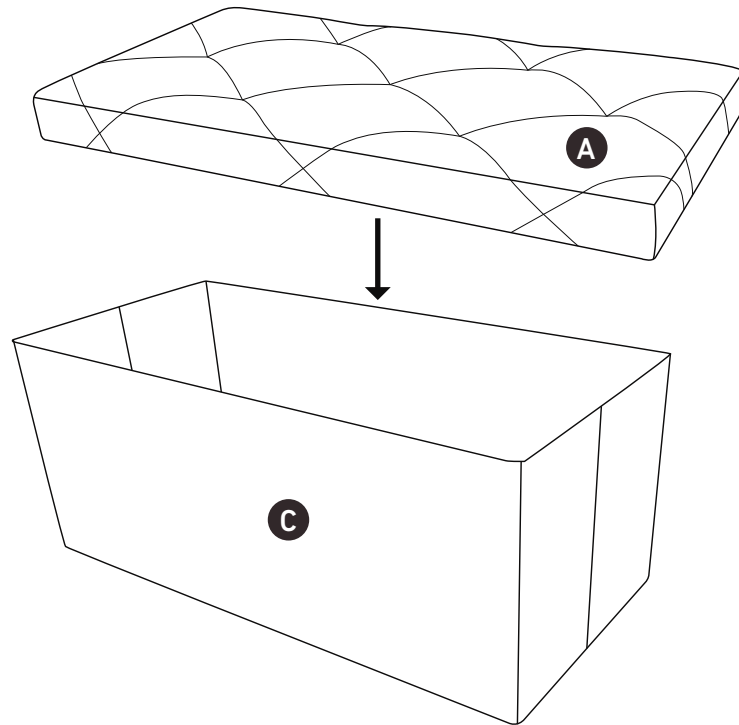
---



Place the base plate into the unfolded footstool and push it down until it touches the bottom of the footstool. (Ensure that the small handle of the bottom plate is facing upwards for easy disassembly)

## Step 3

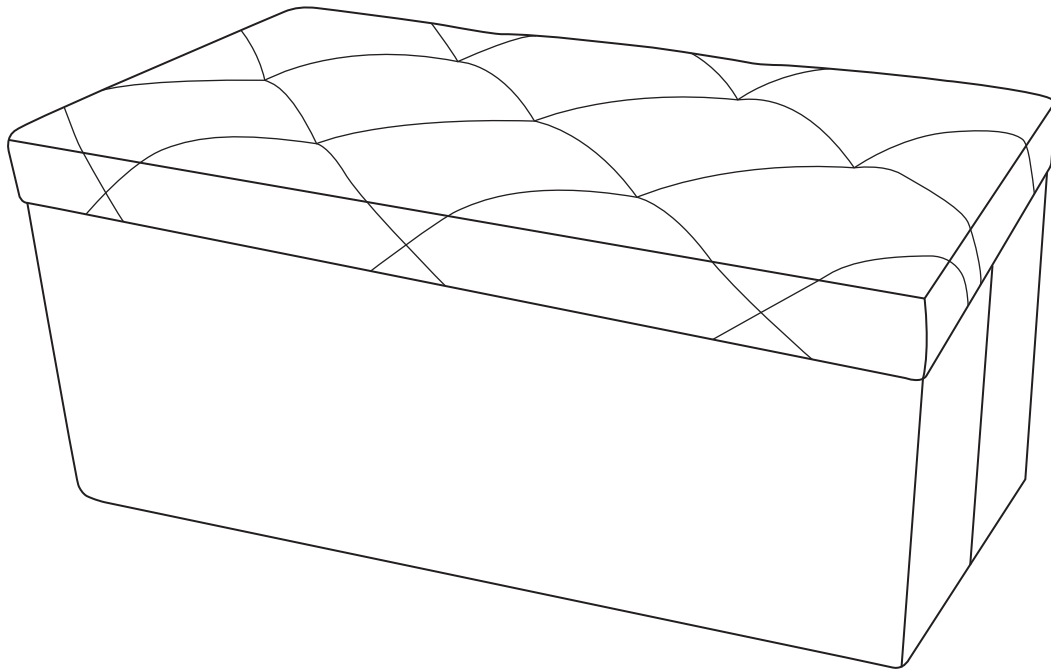
---



Place the top cover on the top of the footstool and complete the installation.

## Step 4

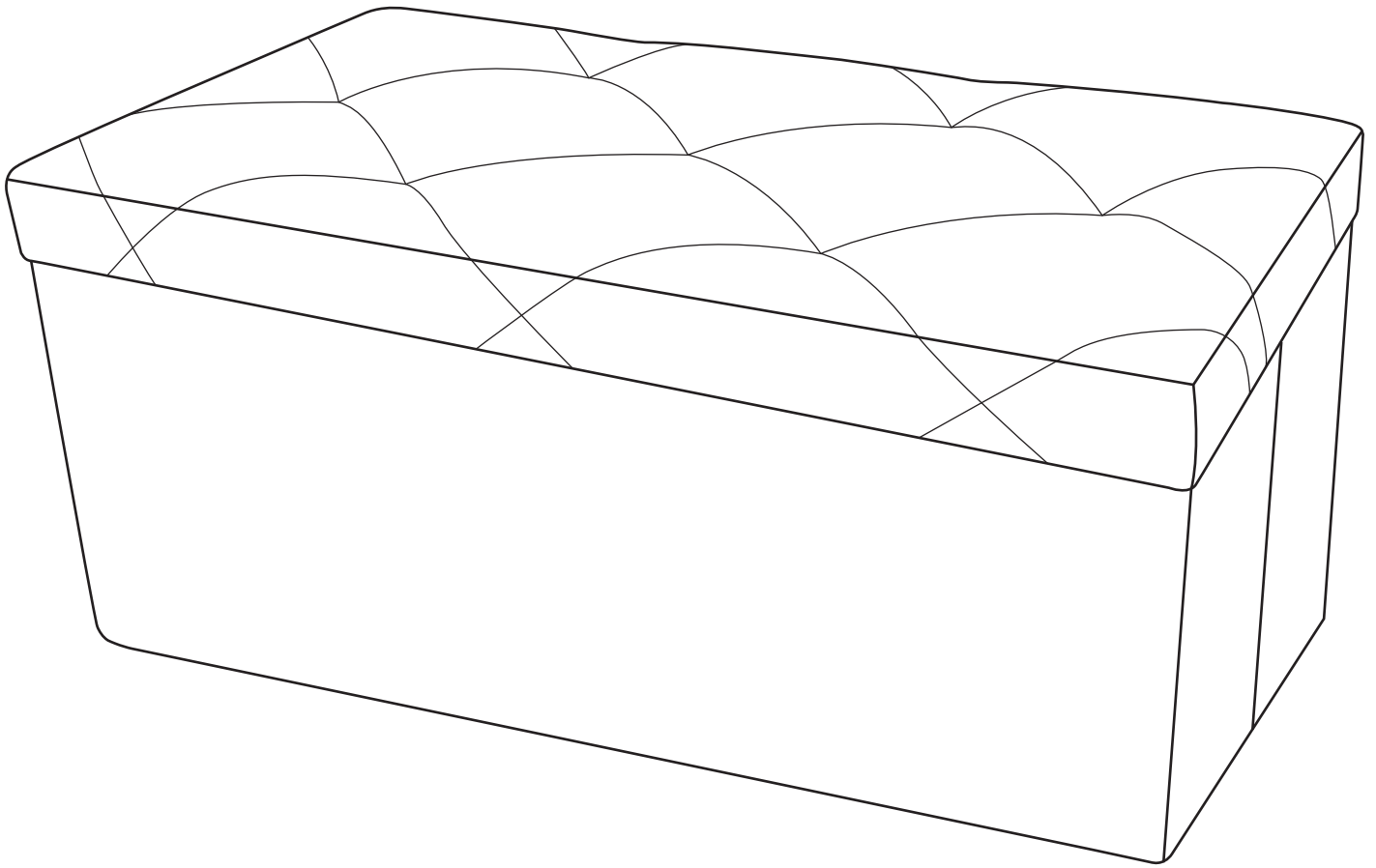
---



### **NOTE:**

#### **CLEANING INSTRUCTIONS:**

Spot clean with a wet cloth as needed



## **Technical Support**

(909)637-7665 | (909)637-7593

## **Other Info**

HJ-Customer-Service@outlook.com

Thank you for choosing this product. We strive to provide you with the best quality products and services in the industry. Should you have any issues, please don't hesitate to contact us.