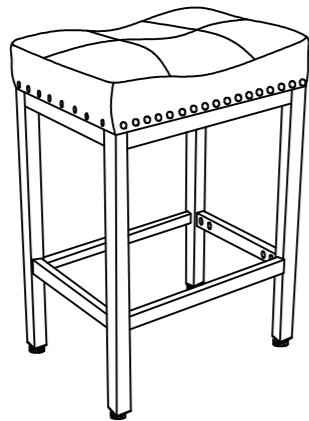
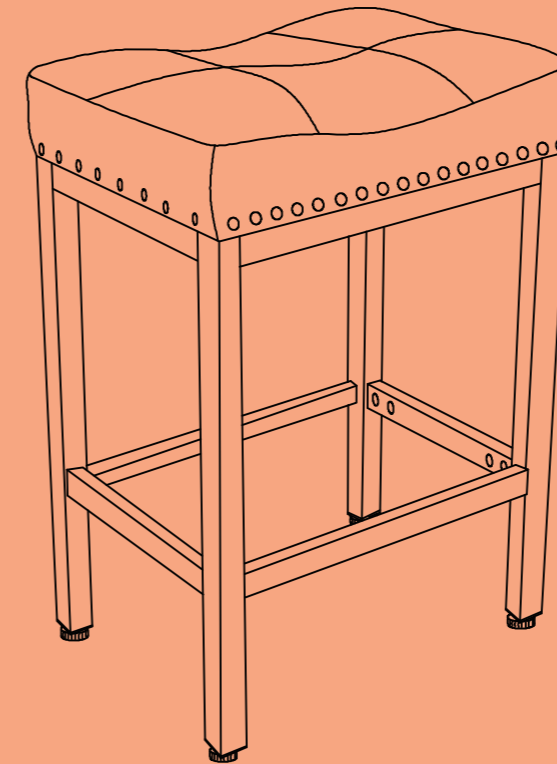
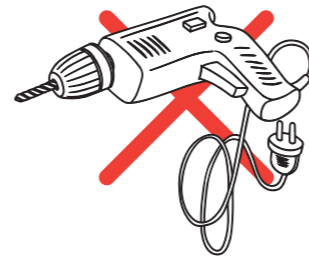
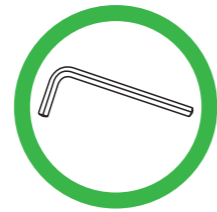


To deodorize the leather  
leave the chair in a shady  
outside for 1-2 days.



For longer use

Re-tighten bolts every 6 months by using  
the enclosed allen-key.  
\*Using an electric drill can damage the chair.  
Please re-tighten bolts manually.



# INSTRUCTION MANUAL

## C-6100

✉ HJ-Customer-Service@outlook.com  
☎ (909)637-7665 | (909)637-7593  
EST 9:00AM--17:00PM

## Safety Information



Sit in the center of the  
chair, with your back to  
the backrest



Do not sit at the front  
edge of the chair



Do not stand on the  
chair



Do not use the chair  
with more than one  
person



Do not push the chair  
around when a person  
is sitting in it



Do not push down on  
the backrest when a  
person is reclined



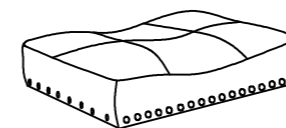
Do not place all your  
weight on only the  
backrest

# INSTRUCTION MANUAL

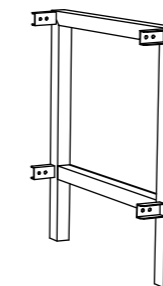
Model: C-6100

✉ HJ-Customer-Service@outlook.com  
☎ (909)637-7665 | (909)637-7593

## Package List



(A)\*1 Seat Cushion



(B)\*2 Legs



(C)\*4 Square Tube



(D)\*4 Adjuster Foot



M6x16mm

(E)\*16 Bolts



M6x45mm

(F)\*4 Bolts

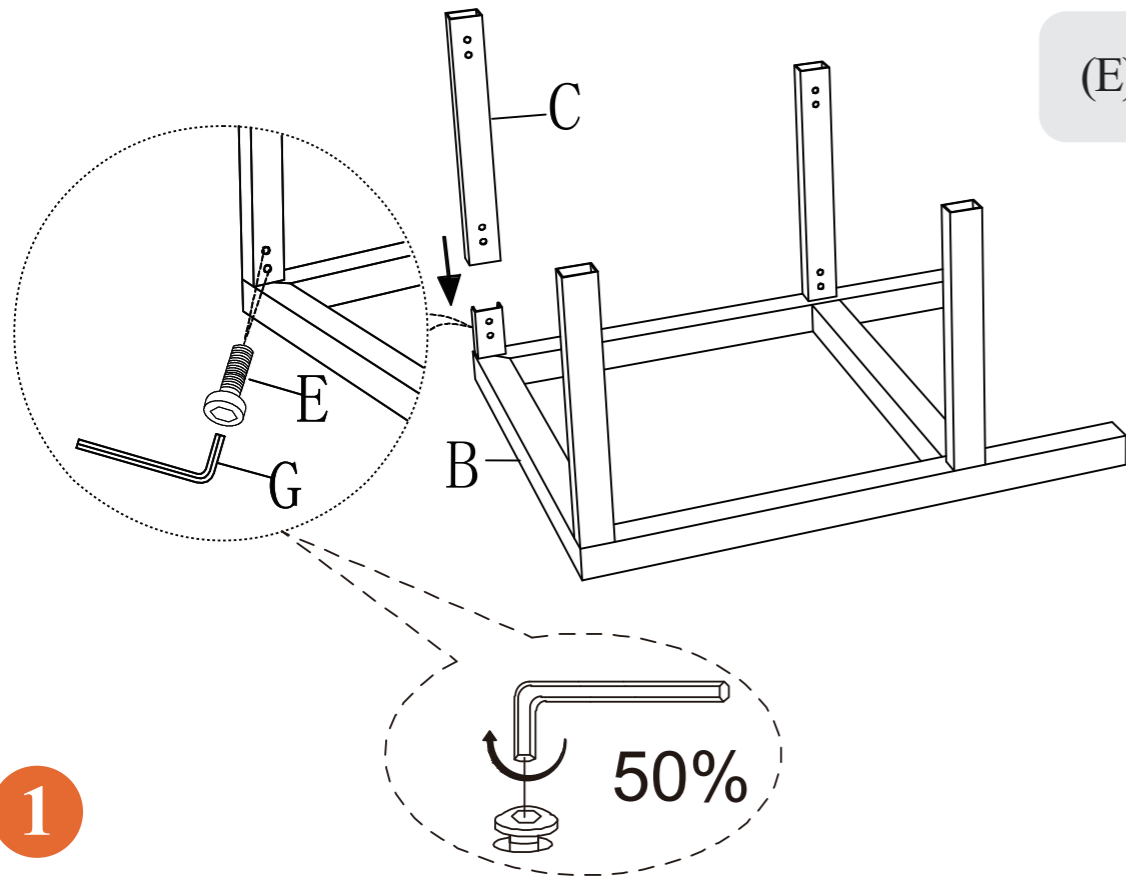


M6x22mm

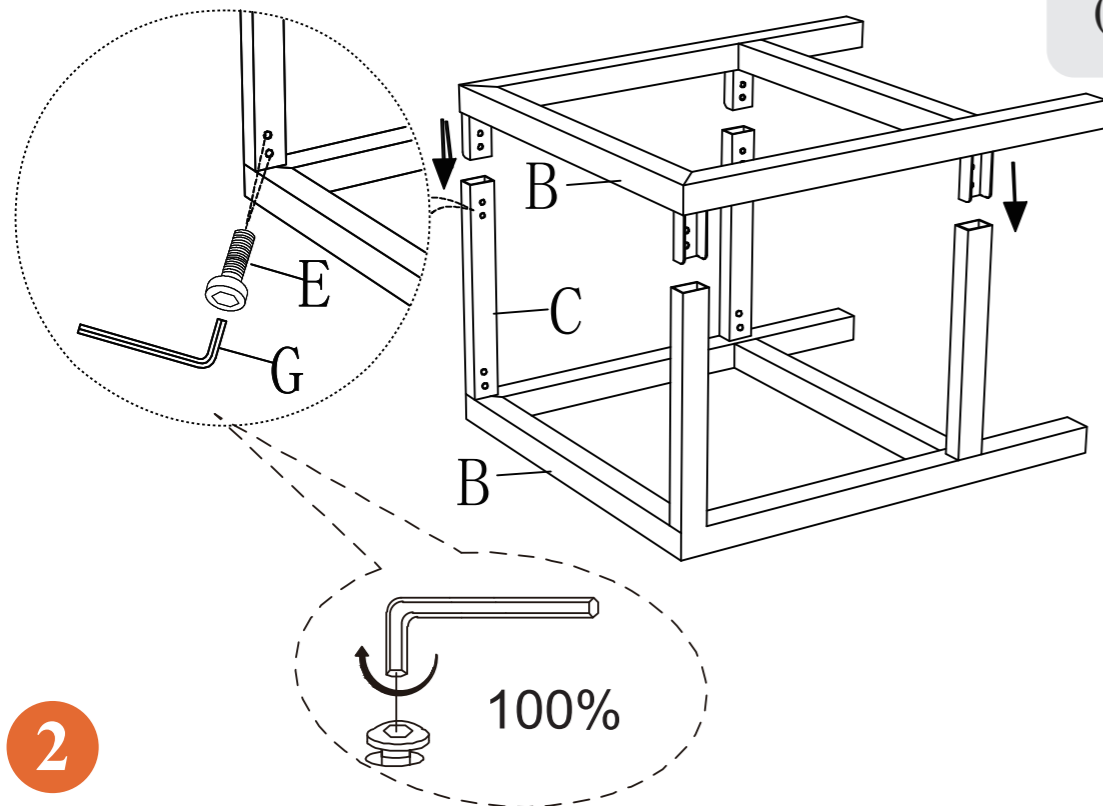
(G)\*1 Wrench

# Assembly Instruction

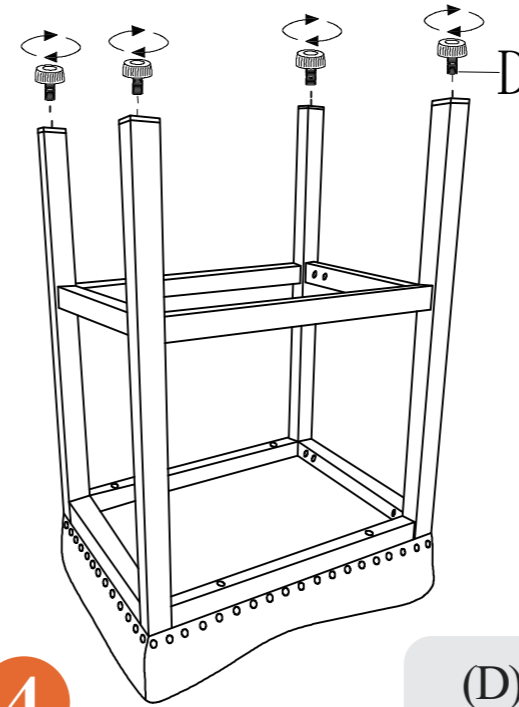
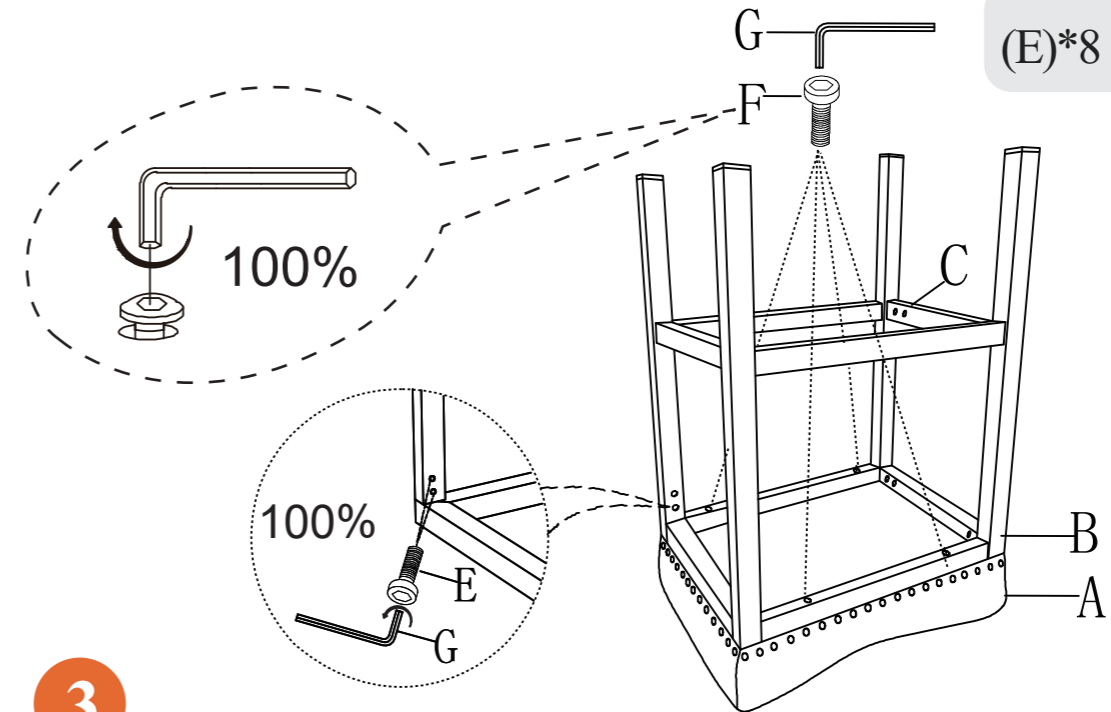
(E)\*8 (G)\*1



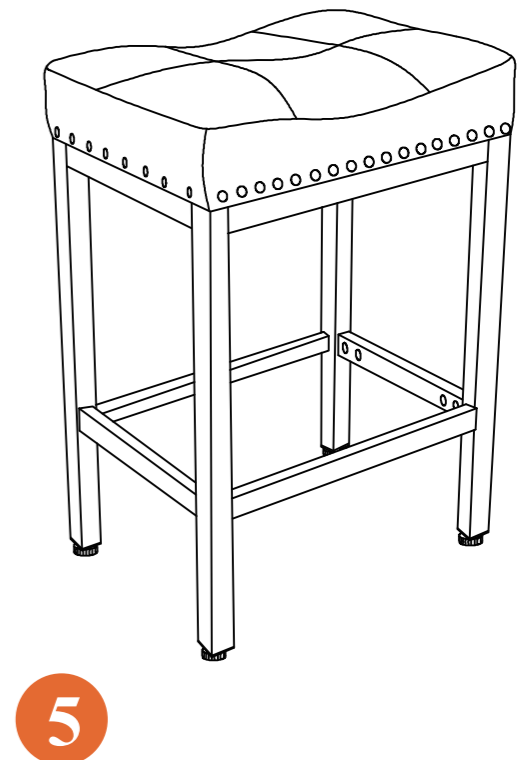
(E)\*8 (G)\*1



(E)\*8 (F)\*4 (G)\*1



(D)\*4



## CAUTION:

- \* Before using the chair, check to ensure that all bolts are fully tightened.
- \* Lubricate all parts and tighten all bolts every 6 months or whenever needed.

**NOTE:** 1. All bolts are 100% tightened.