

# Drawer Dresser

## Instruction Manual

CAB-7BC



✉ HJ-Customer-Service@outlook.com

☎ (909)637-7665 | (909)637-7593

EST 9:00AM--17:00PM

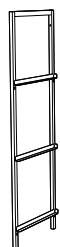
# 1 Component List

**A** X1



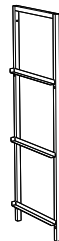
Top Board

**B** X1



Side Frame

**C** X1



Side Frame

**D** X2



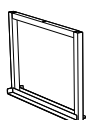
Cross Tube

**E** X2



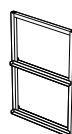
Cross Tube

**F** X2



Middle Frame

**G** X1



Middle Frame

**H** X3



Drawer

**I** X4



Drawer

**J** X3



Base Board  
for Drawer

**K** X4



Base Board  
for Drawer

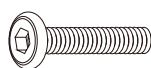
# 2 Supplied Parts and Hardware

**1** X1



Wrench

**2** X22



Bolts  
M6×25mm

**3** X1



Wrench

**4** X2



Expansion Tube

**5** X2



Bolts  
M4×60mm

**6** X7



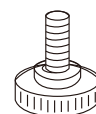
Drawer Handle

**7** X14



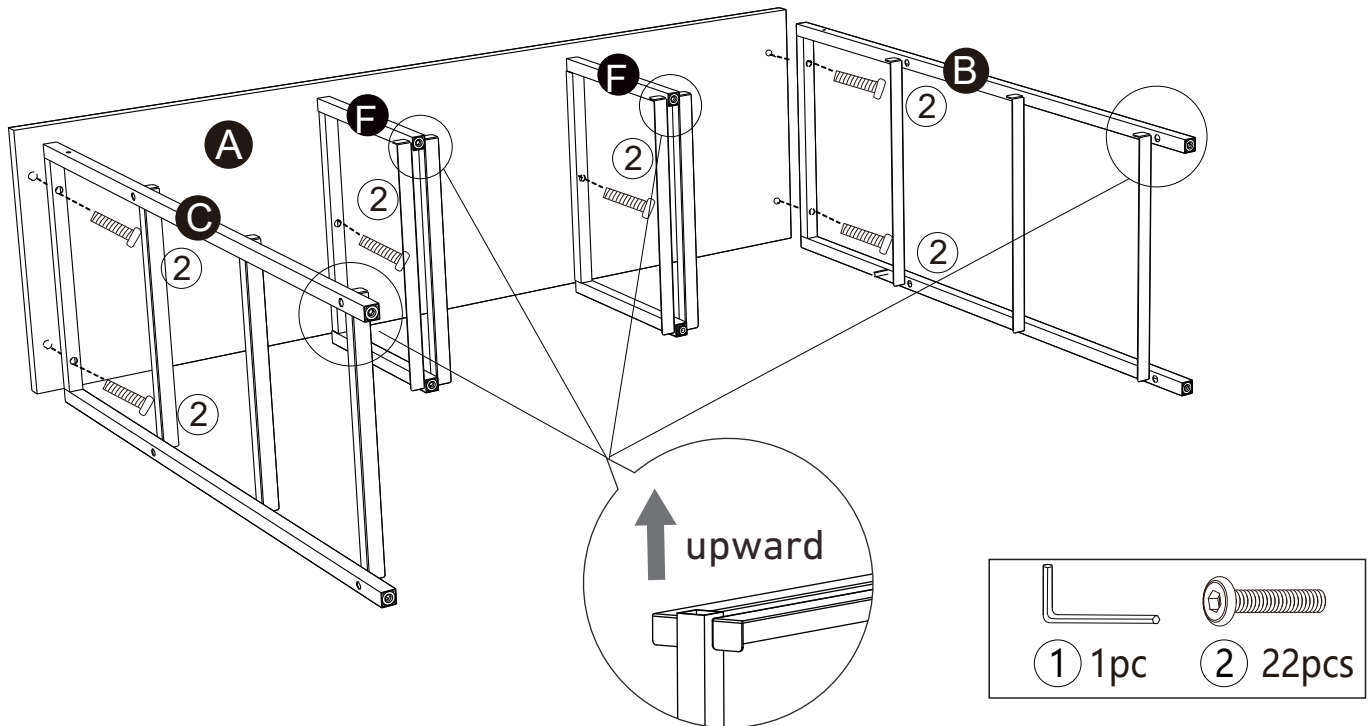
Bolts  
M4×12mm

**8** X4



Adjusting Foot  
M4×14mm

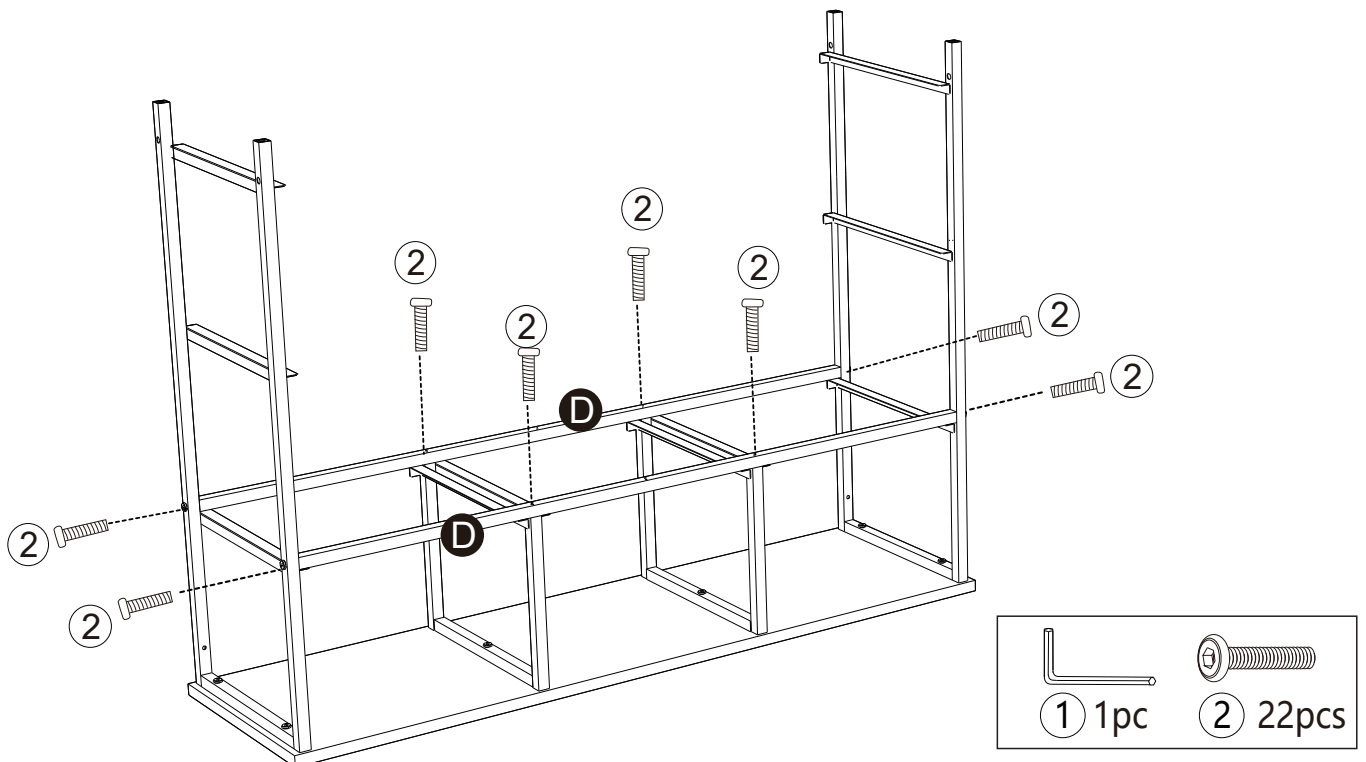
## Step 1



### NOTE:

1. Place a blanket under the top plate to avoid scratches or damage.
2. The side frame (**B&F&C**) baffle faces in the same direction, with the baffle facing upwards.

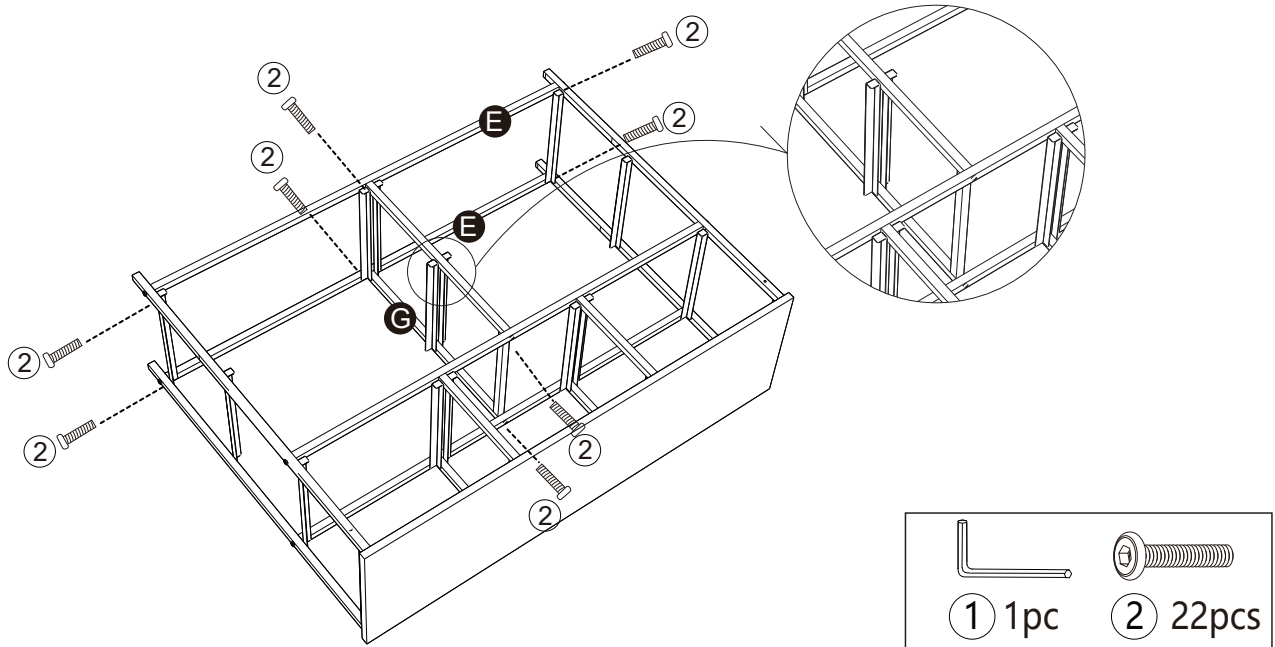
## Step 2



### NOTE:

1. When installing the horizontal pipe, pay attention to the four large holes facing upwards.

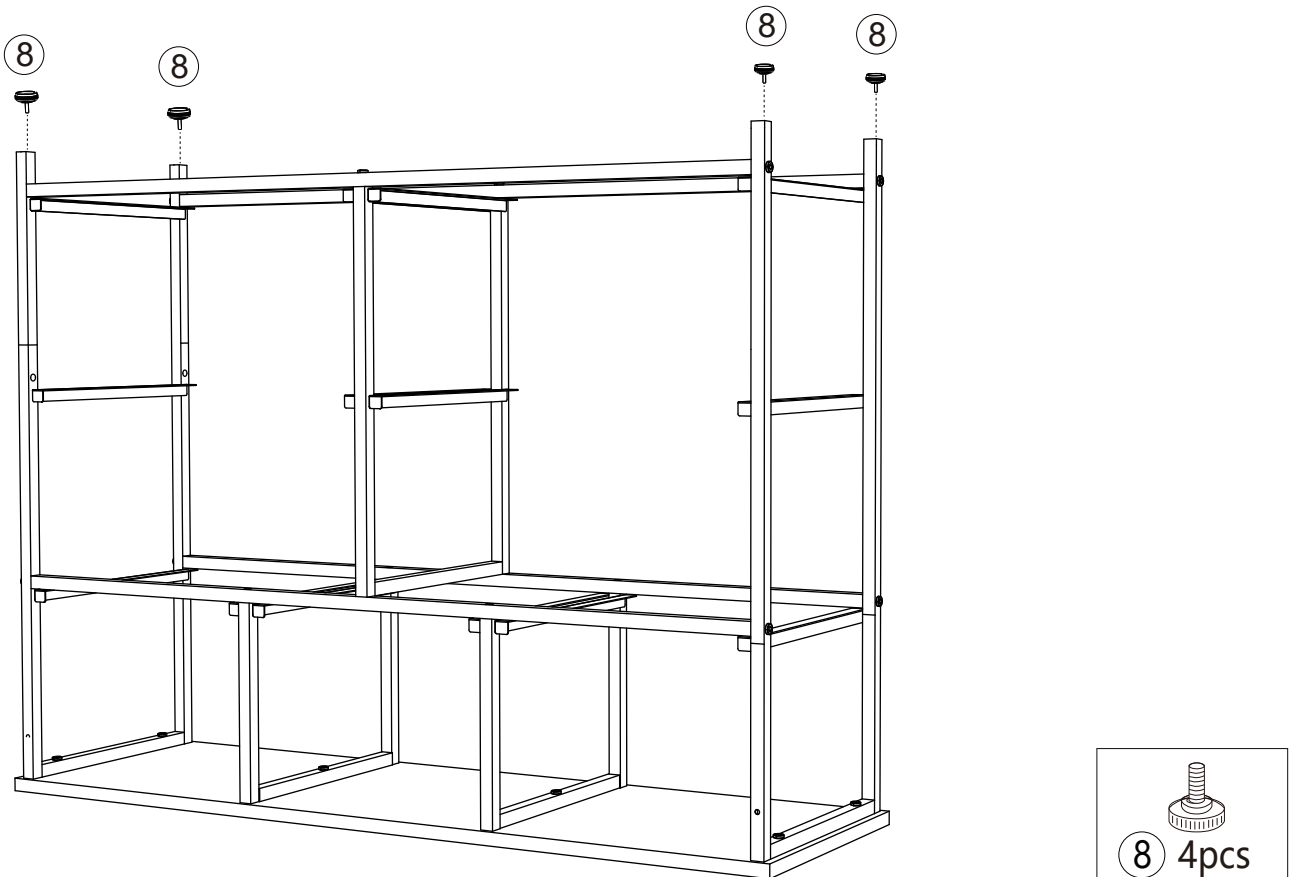
## Step 3



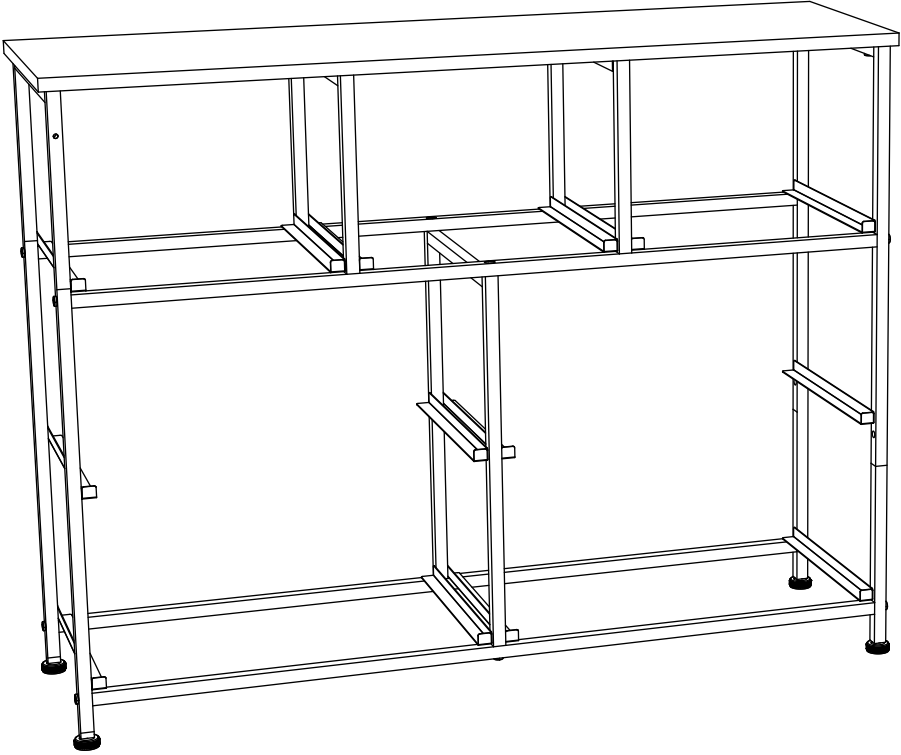
### NOTE:

1. When installing the intermediate **Frame G**, be careful that the blocking plate is in the same direction as the frame (**B&F&C**).

## Step 4

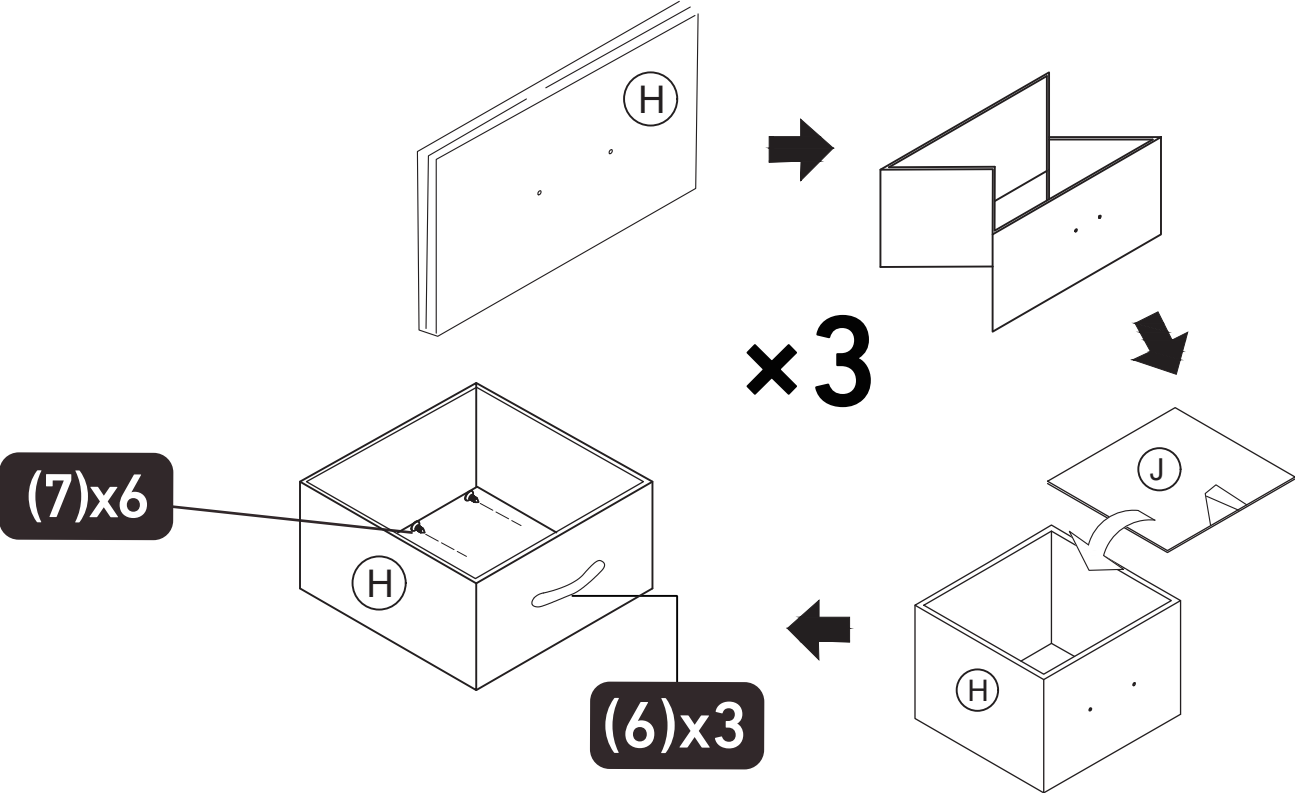


# Step 5

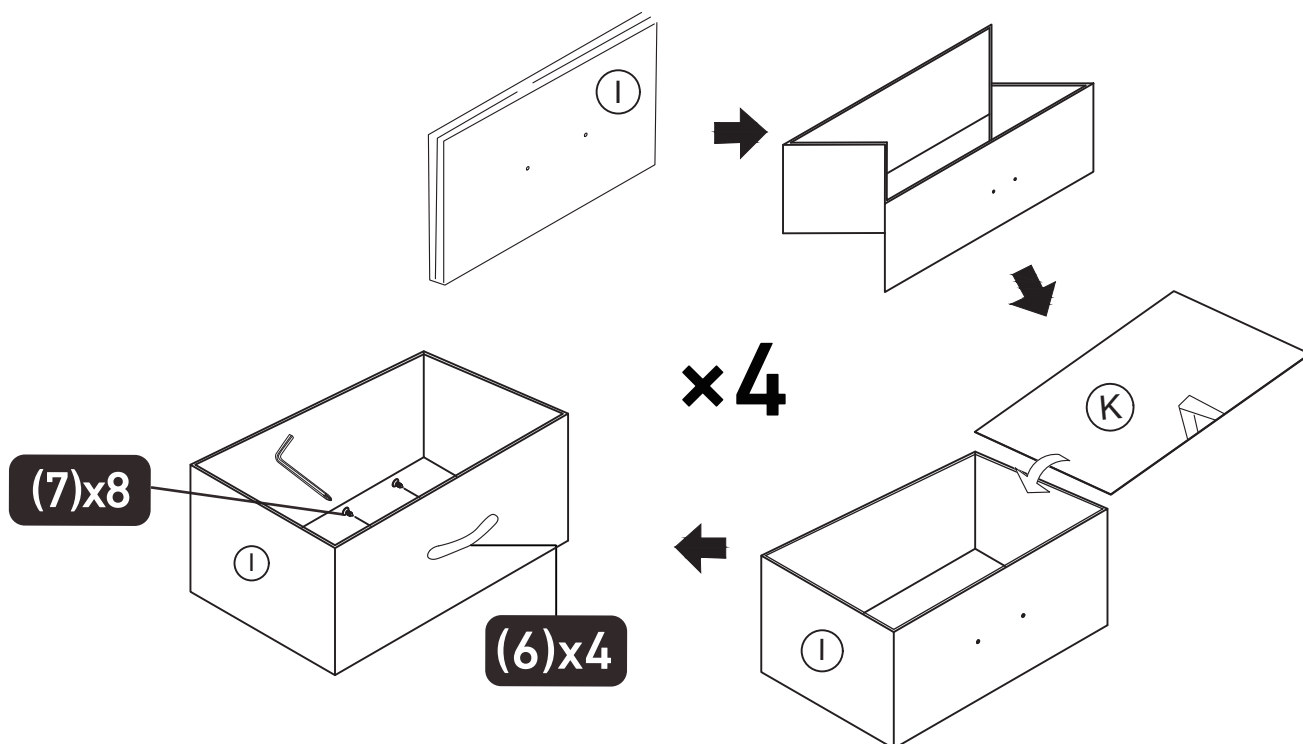


Turn the Dresser face up.

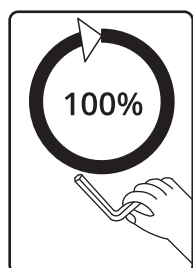
# Step 6



## Step 7



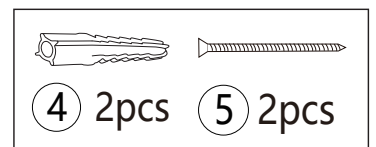
## Step 8



Place the installed Drawers into the Dresser.

**NOTE:** Make sure all Bolts are 100% tightened before use.

## Step 5



If you need to fix the Drawer Dresser to the wall, drill holes in the wall with an electric drill, then insert Expansion Tube **(4)\*2** and fix the Drawer Dresser with Bolts **(5)\*2**.



## Technical Support

(909)637-7665 | (909)637-7593

## Other Info

[HJ-Customer-Service@outlook.com](mailto:HJ-Customer-Service@outlook.com)

Thank you for choosing this product. We strive to provide you with the best quality products and services in the industry. Should you have any issues, please don't hesitate to contact us.