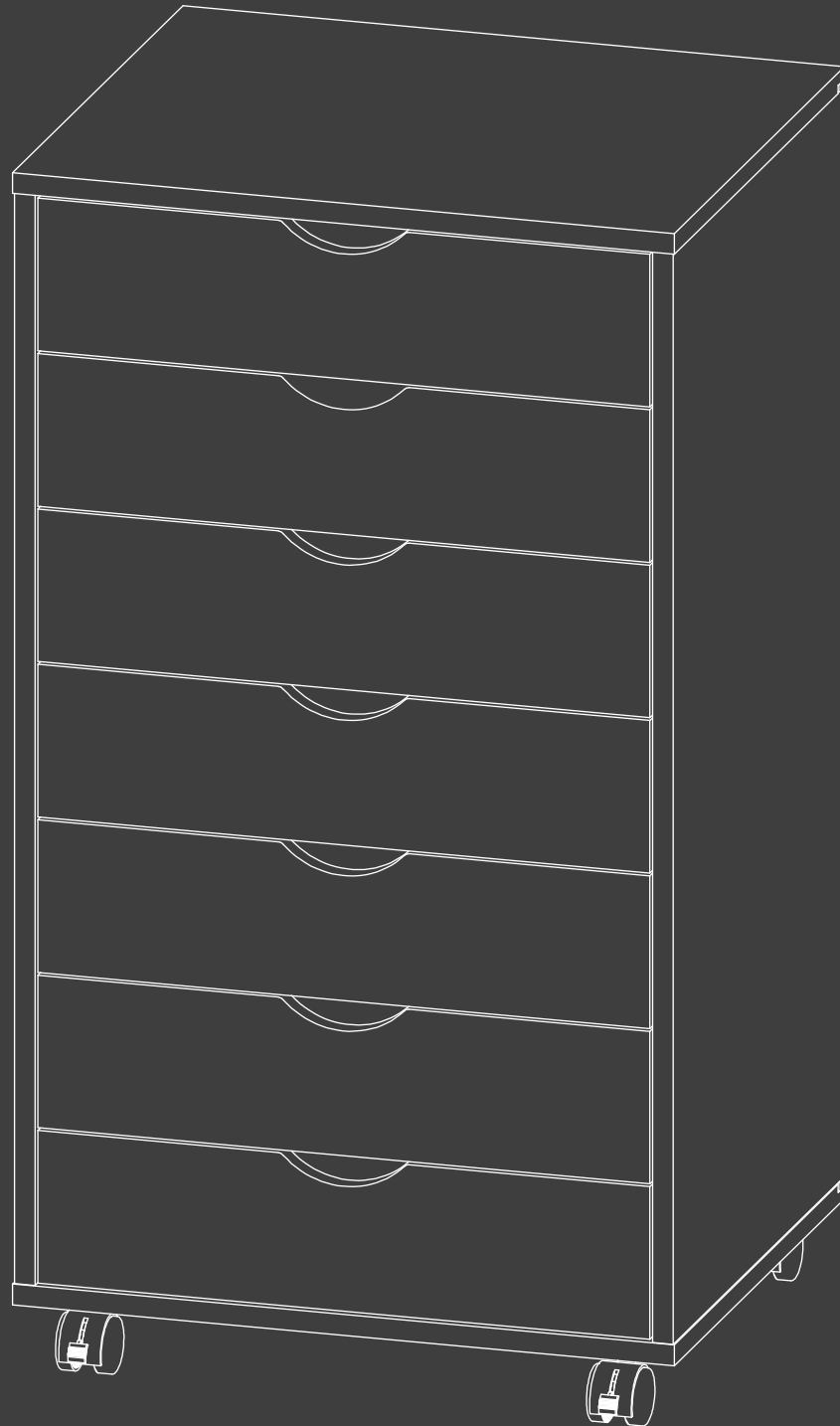


Drawer Storage Cabinet

Instruction Manual

7 CHDG-2130

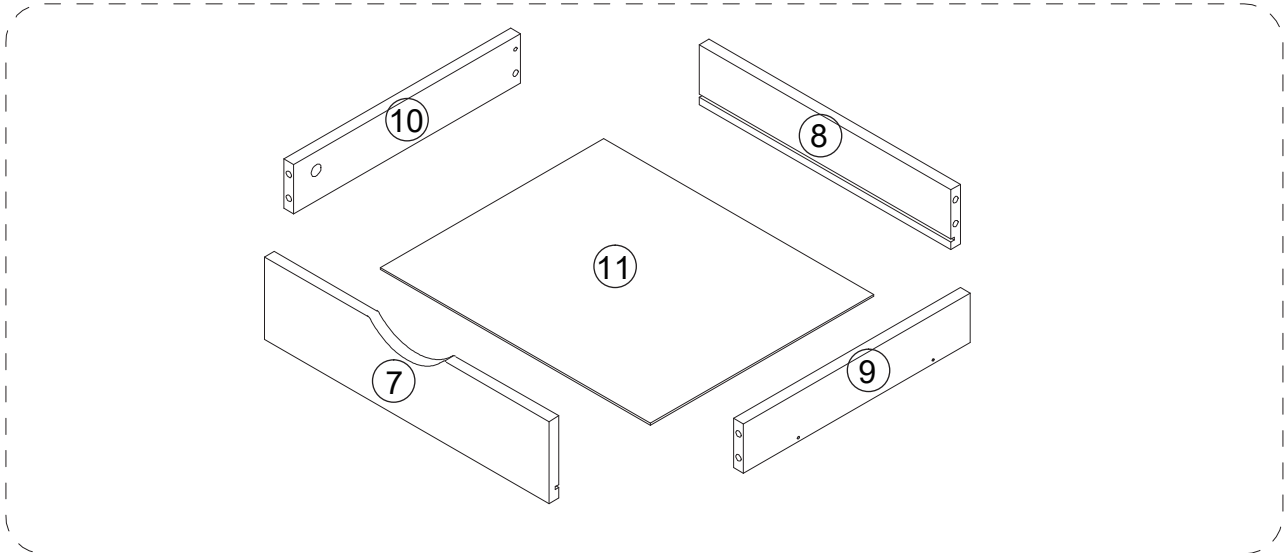
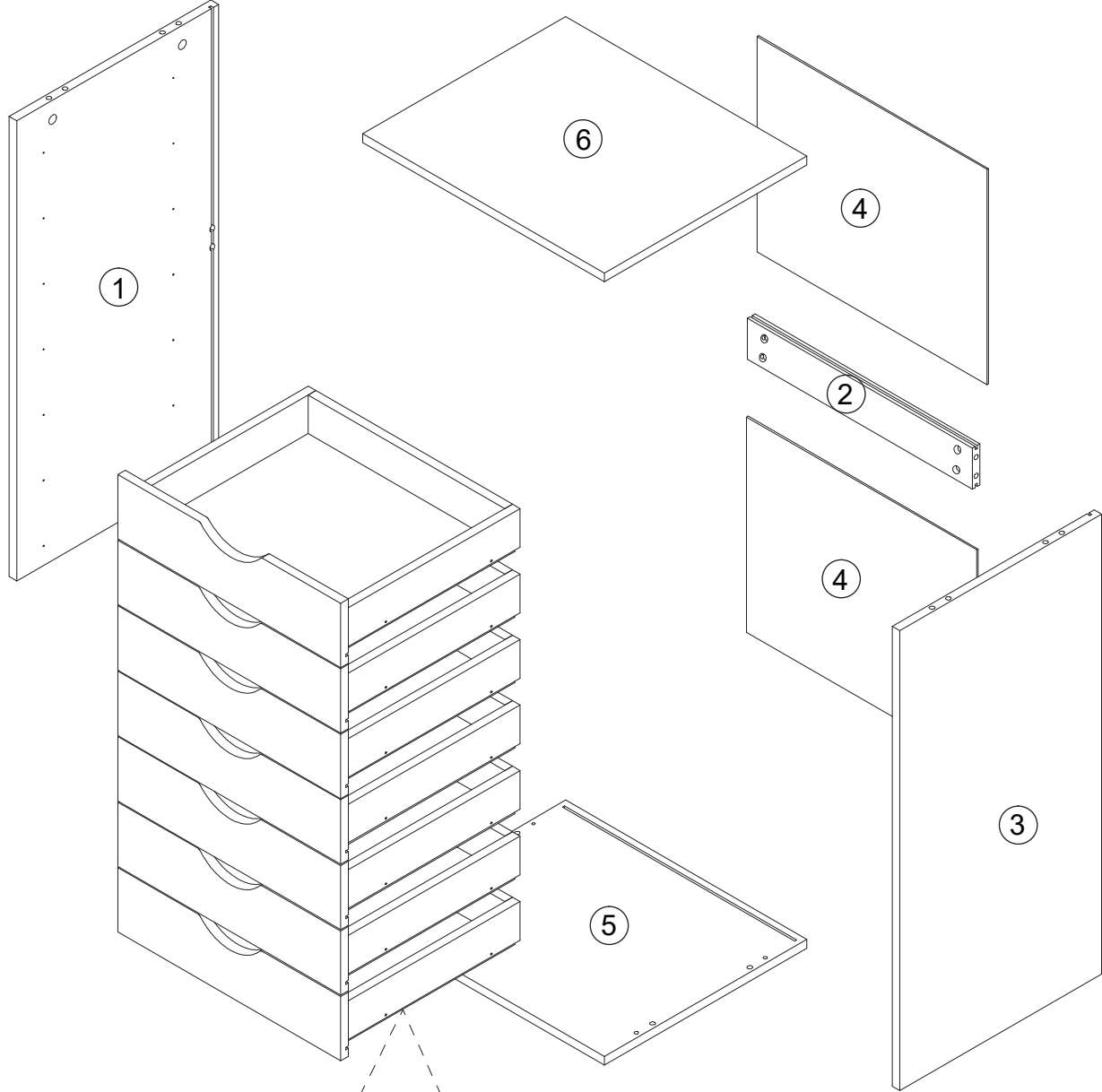


 EST 9:00AM--17:00PM

 HJ-Customer-Service@outlook.com

 (909)637-7665 | (909)637-7593

Exploded Drawing



Package List

A X36



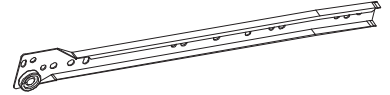
Dowel

B X36



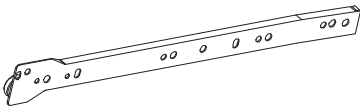
Wooden Dowel

CL X7



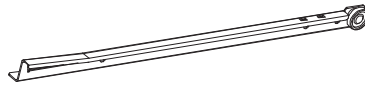
Slide Rail

CR X7



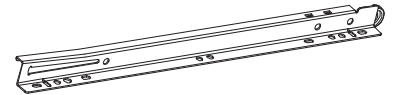
Slide Rail

DL X7



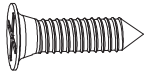
Slide Rail

DR X7



Slide Rail

E X80
M4X14



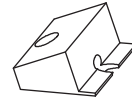
Screws

F X14



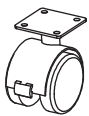
Cover-up Sticker

G X8



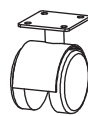
Buckle

H X2



Lockable Casters

I X2



Casters

J X1



Anti-tipping device bag

K X1



Screwdriver

L X4

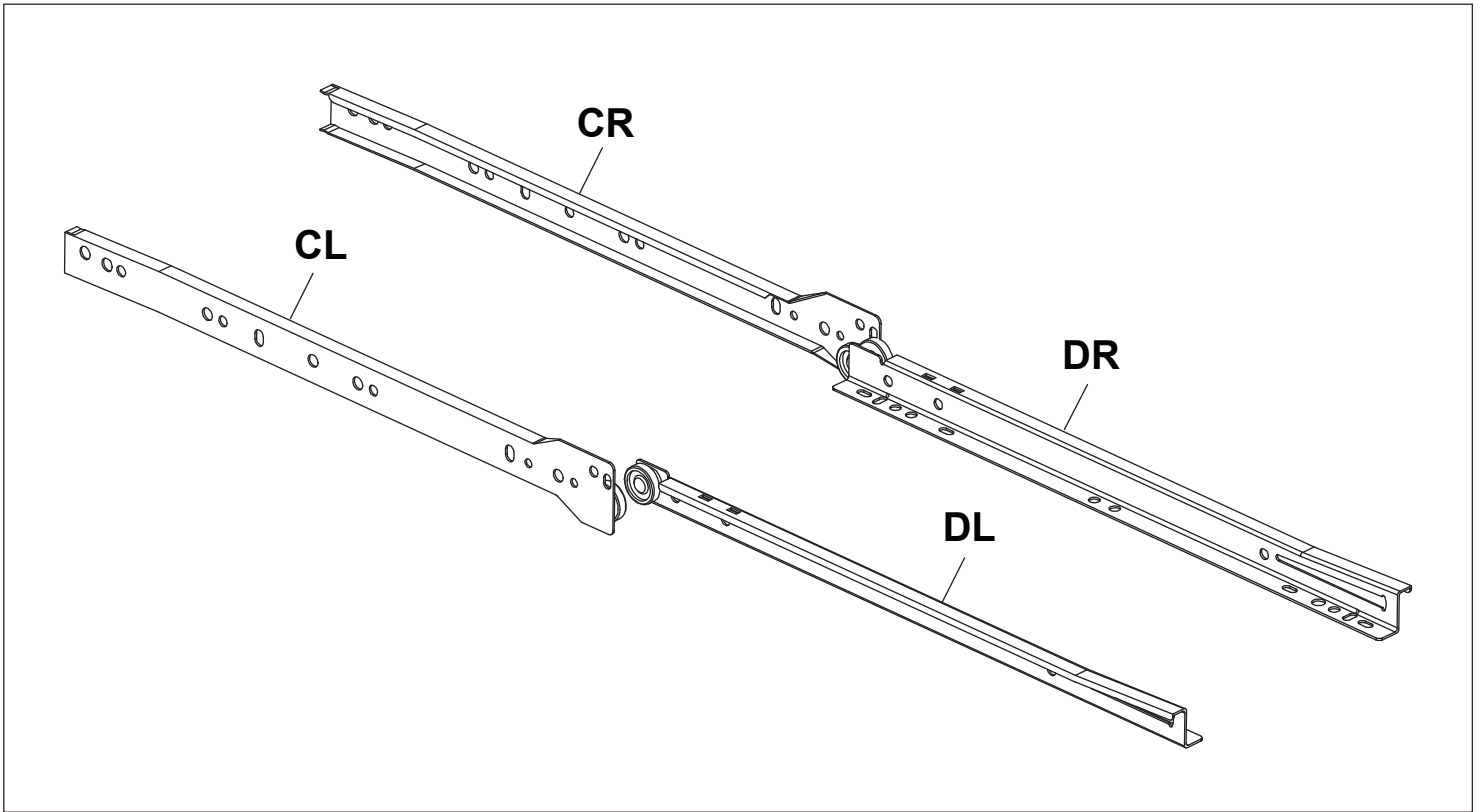


Screws

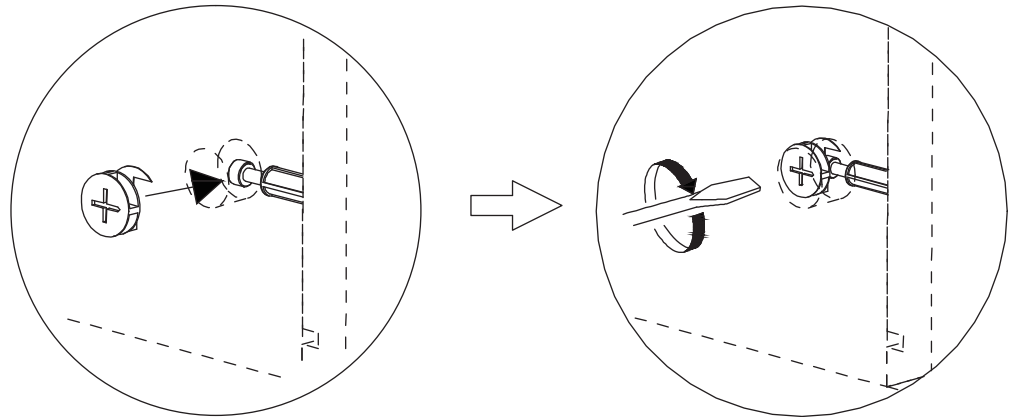
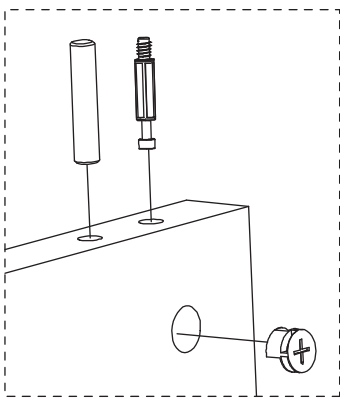
M X36



Eccentric Wheel



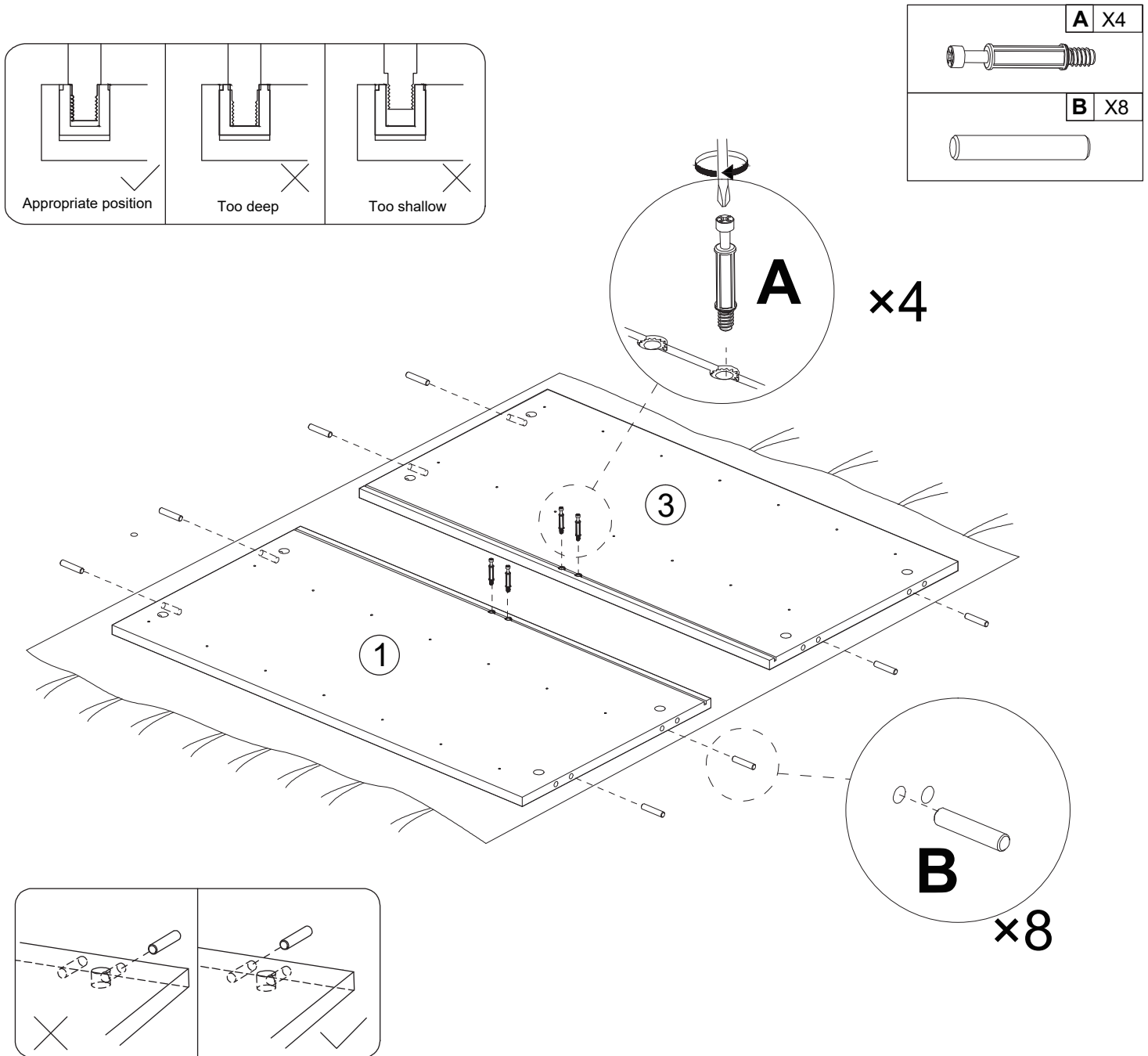
Minifix Position



TIPS:

As shown, make sure each part is in the correct position. Make sure the gap of the Eccentric Wheel is aligned with the Dowel, and then tighten it completely.

Step 1

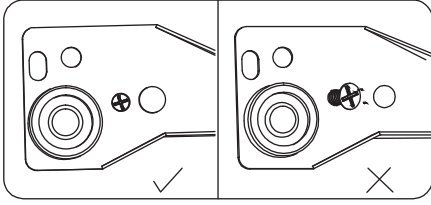


Fix Dowel **(A)*4** to the Boards **(1&3)** . And attach Wooden Dowel **(B)*8** to the Boards **(1&3)** as shown.

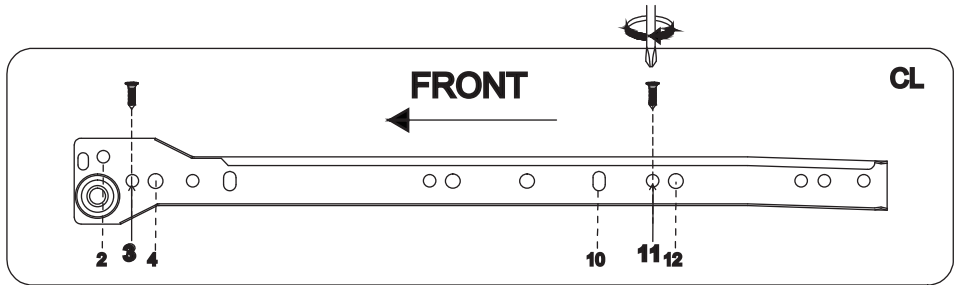
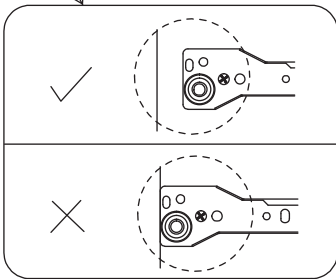
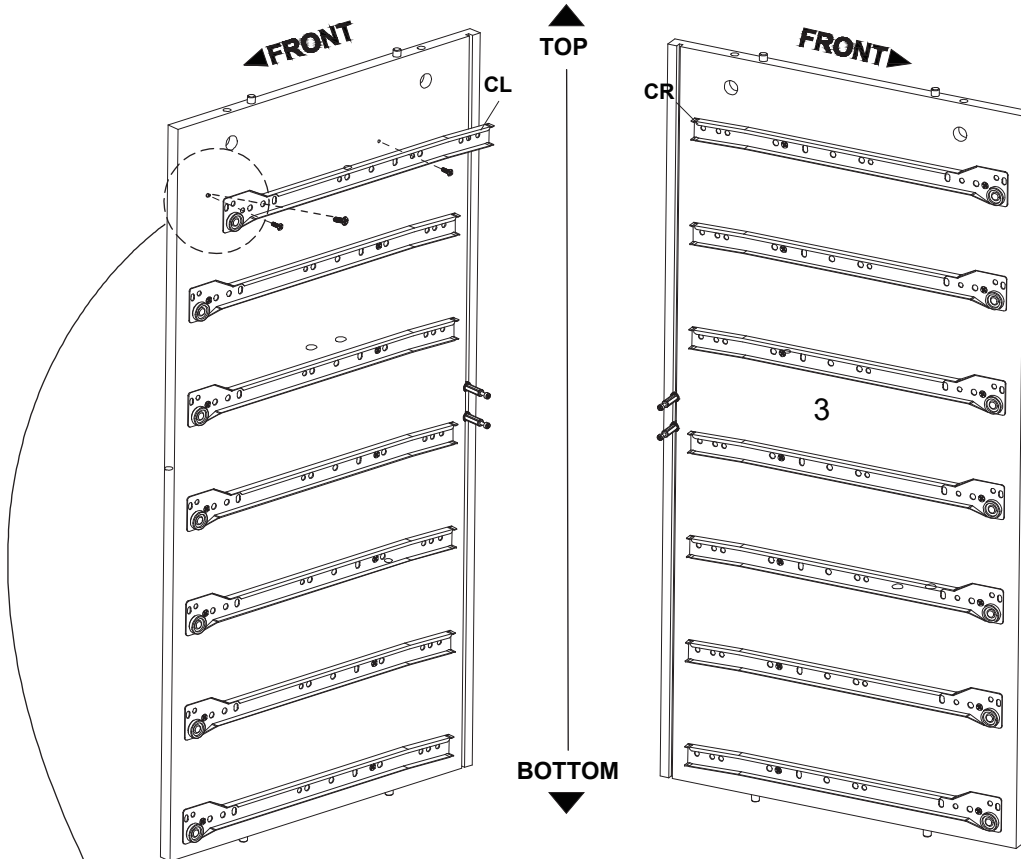
Note:

1. Put a blanket under the Board to avoid scratches or damage.
2. Please do not screw Dowel too deep or too shallow.
3. Make sure the Wooden Dowel is installed in the correct position.

Step 2



	E X28 M4x14
	CL X7
	CR X7

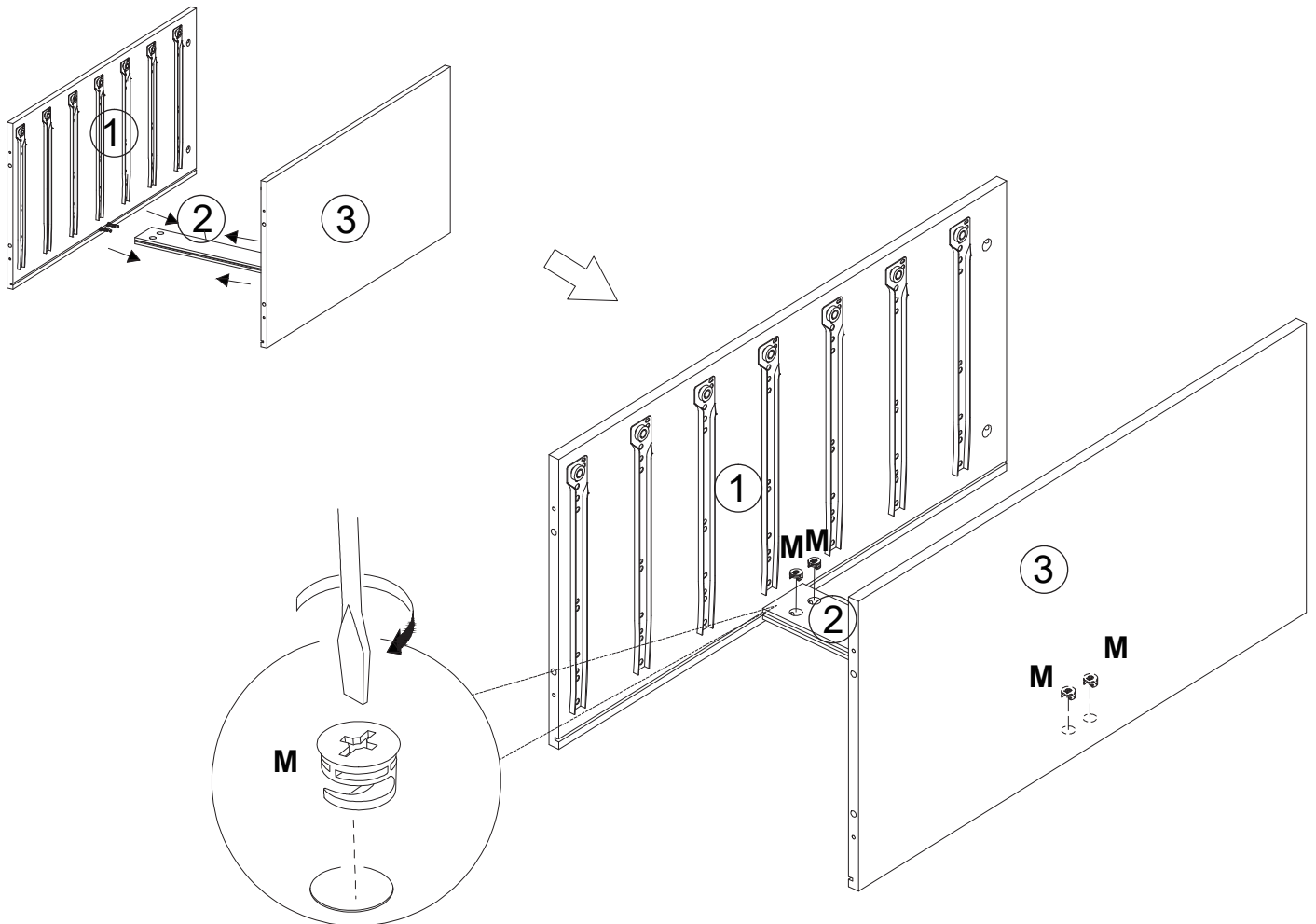
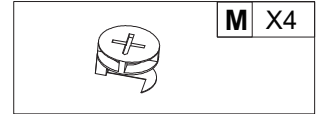


Attach Slide Rail (**CL**)*7 to the Board (**1**), and Slide Rail (**CR**)*7 to the Board (**3**) with Screws (**E**)*28.

Note:

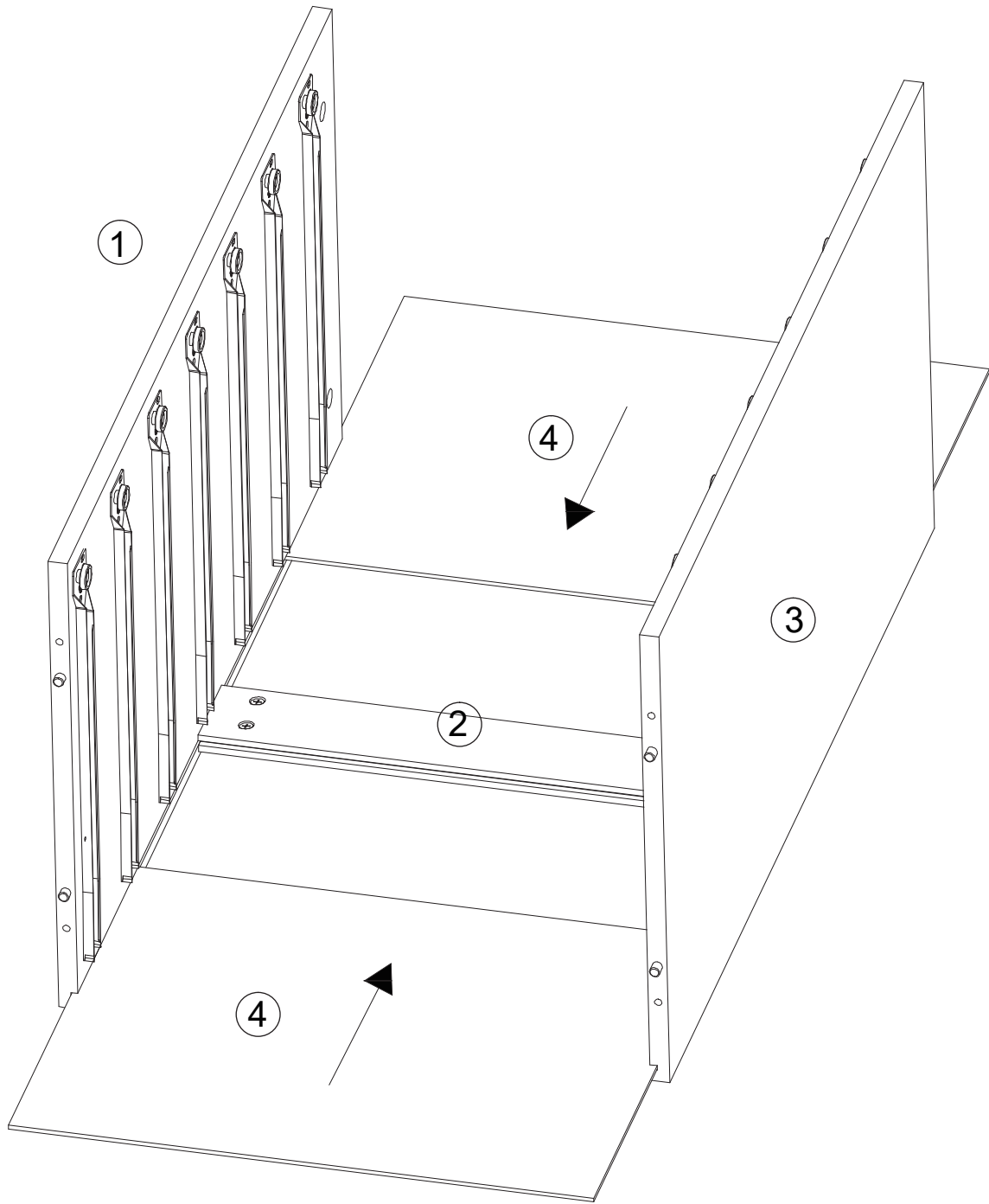
1. As shown, make sure the Board and Slide Rail are oriented correctly.
2. Install the Screws in holes #3 and #11 in this step.
3. When installing, please make sure the Screws are flattened, not crooked. Otherwise the drawers will not be installed perfectly.

Step 3



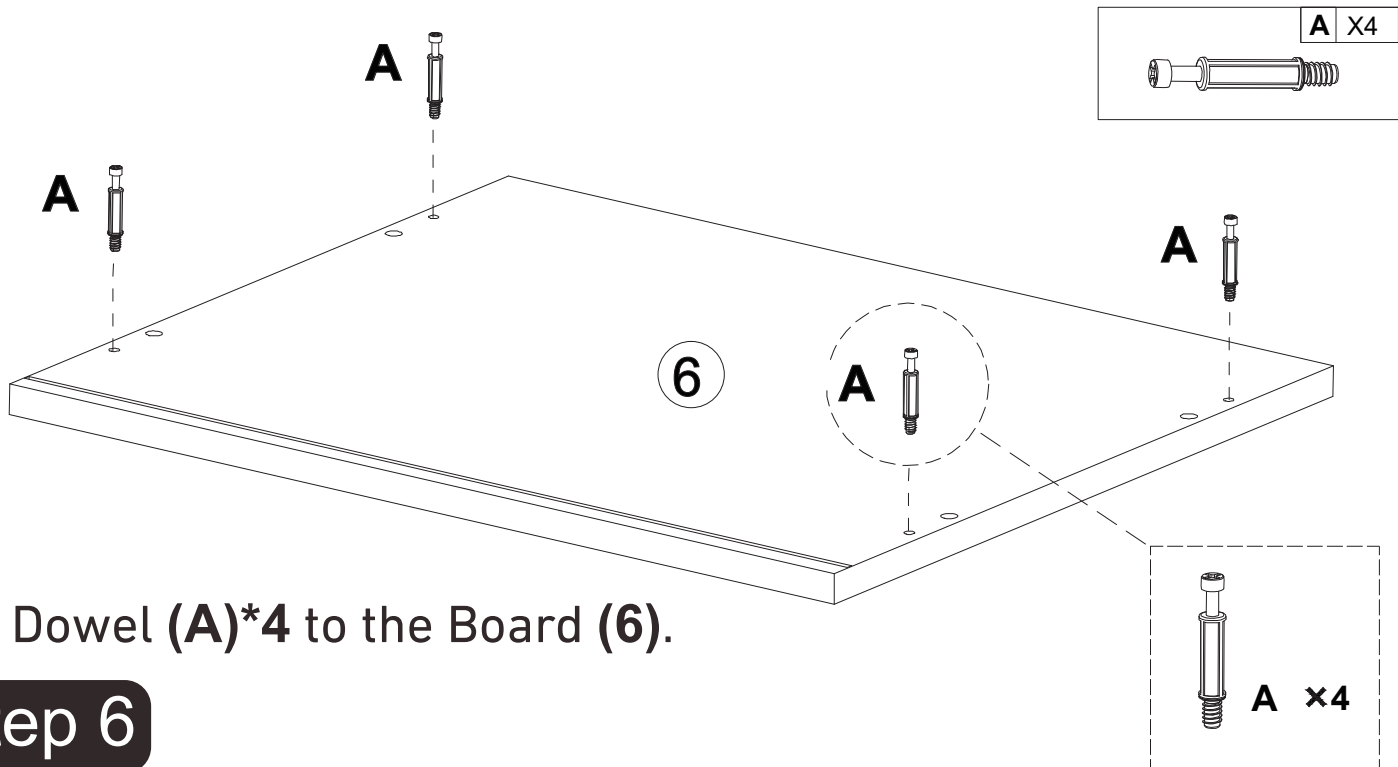
According to the Board position as shown, attach Boards **(1&3)** to the Board **(2)** with Eccentric Wheel **(M)*4**.

Step 4

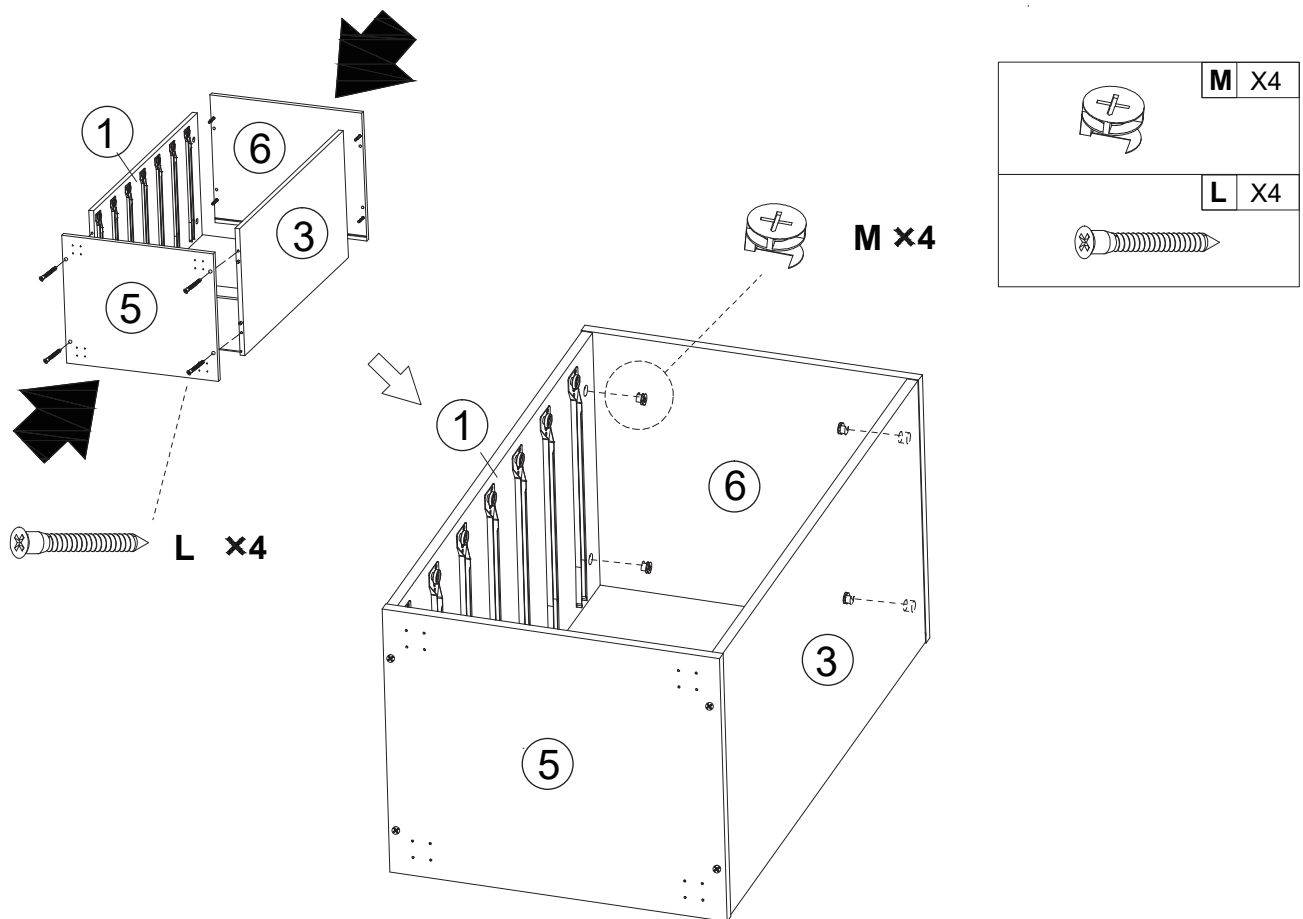


Insert the Boards **(4)*2** into the grooves of the Boards **(1&3&2)**.

Step 5






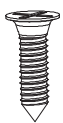
Step 6



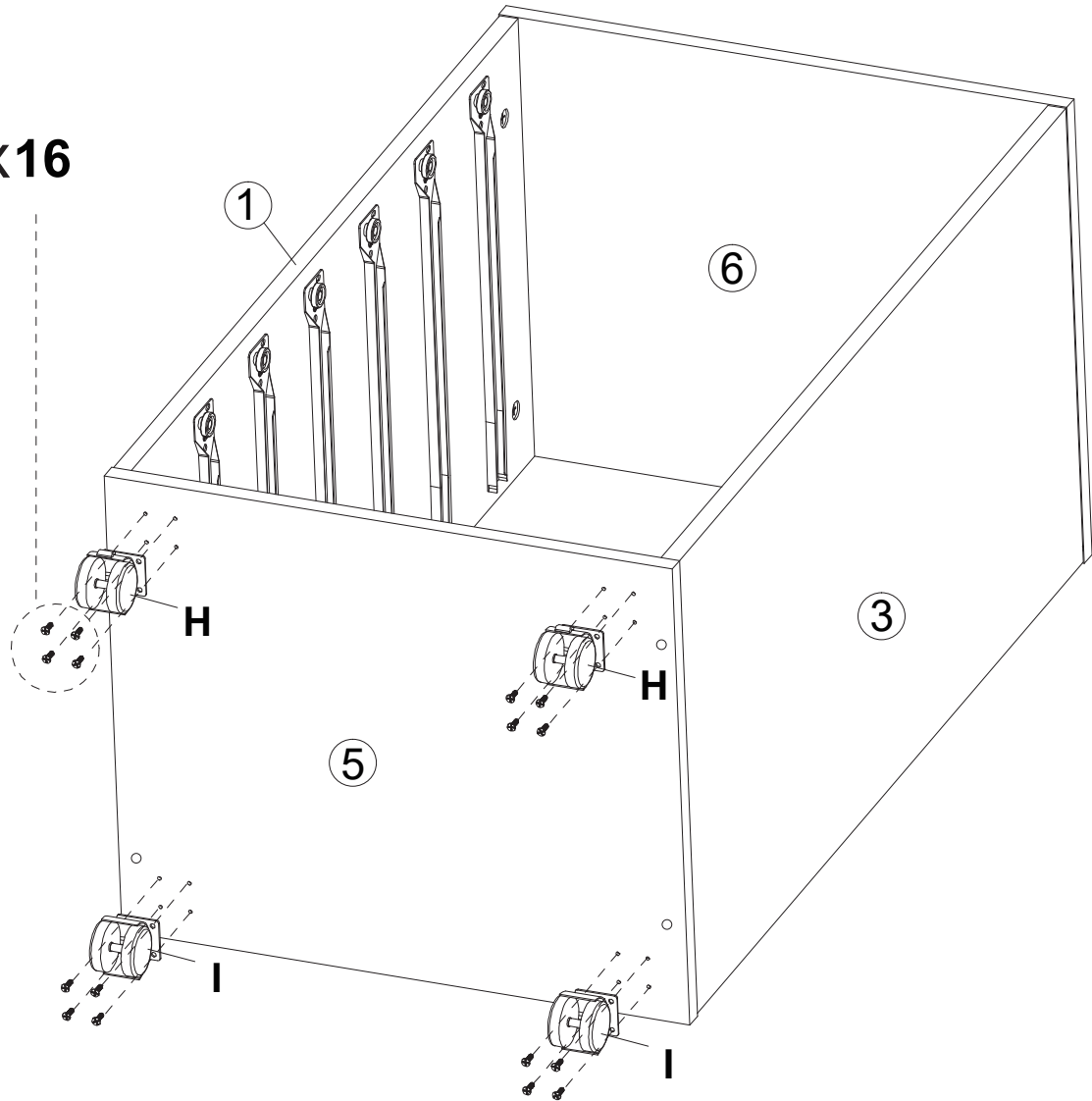
Attach Board **(6)** to the **Top** of the Boards **(1&3)** with Eccentric Wheel **(M)*4**. Attach Board **(5)** to the **Bottom** of the Boards **(1&3)** with Screws **(L)*4**.

Step 7

	E X16 M4x14
	H X2
	I X2

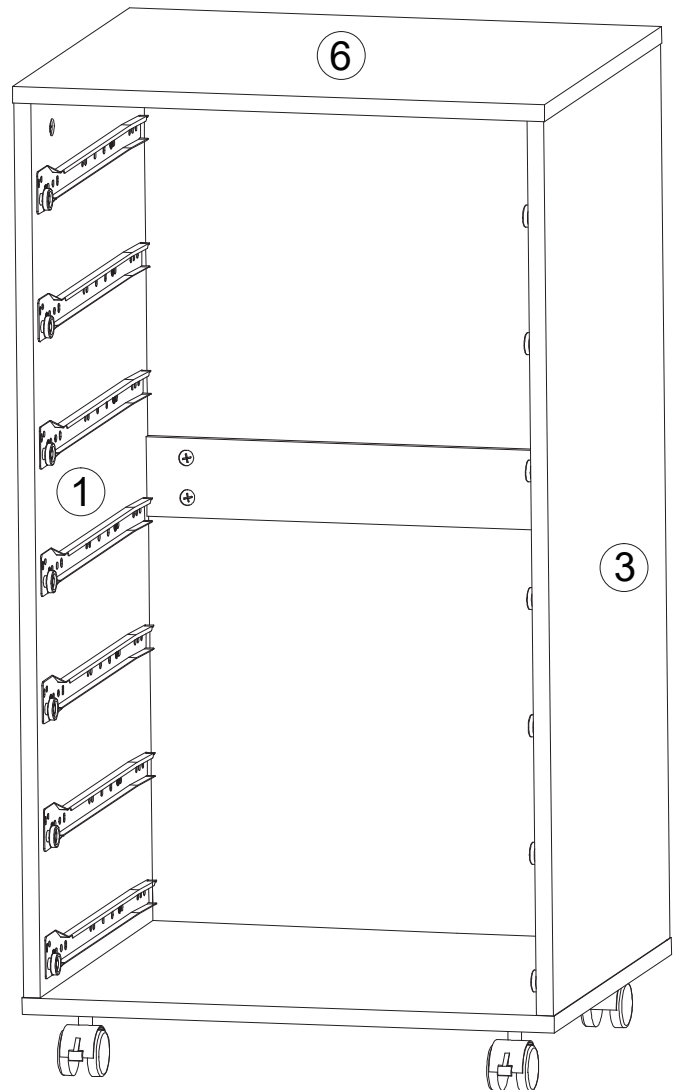
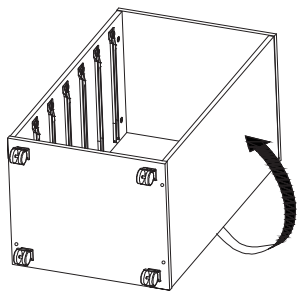


E X16



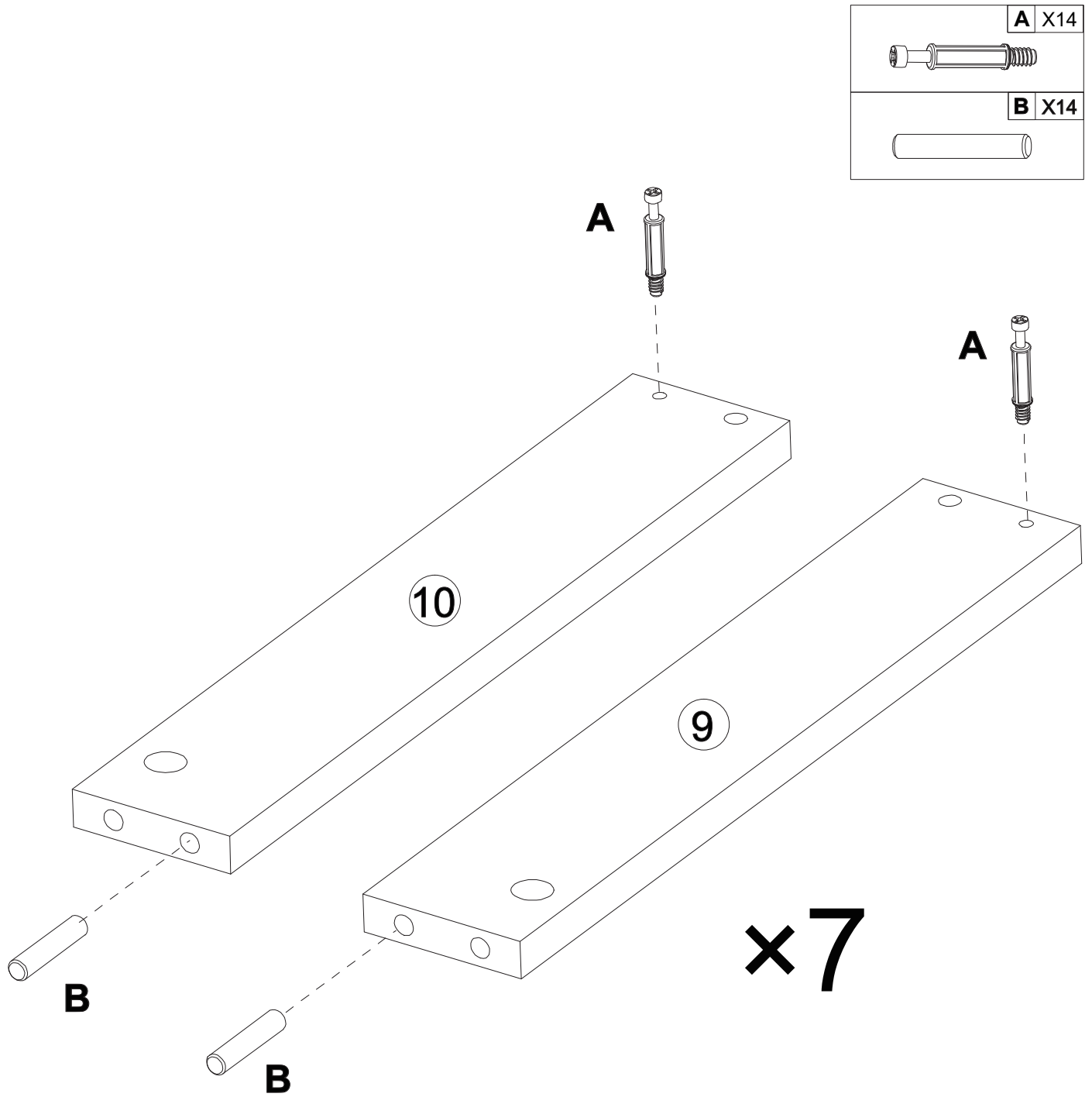
Attach Lockable Casters (**H**)*2 to the **Front** side of the Board (**5**) and Casters (**I**)*2 to its **Back** side with Screws (**E**)*16.

Step 8





Turn the installed Cabinet over.

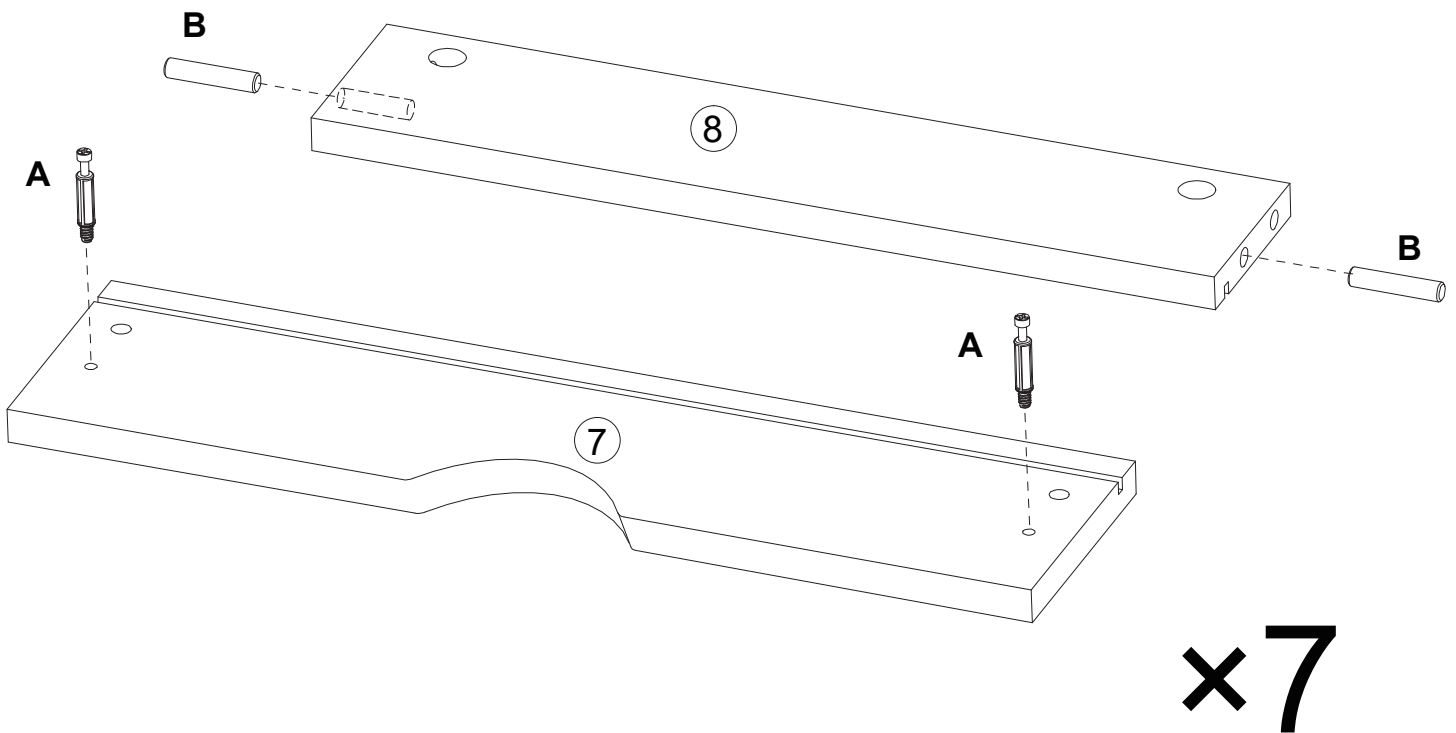
Step 9



Fix Dowel (A)*2 to the Boards (10&9). Attach Wooden Dowel (B)*2 to the Boards (10&9).

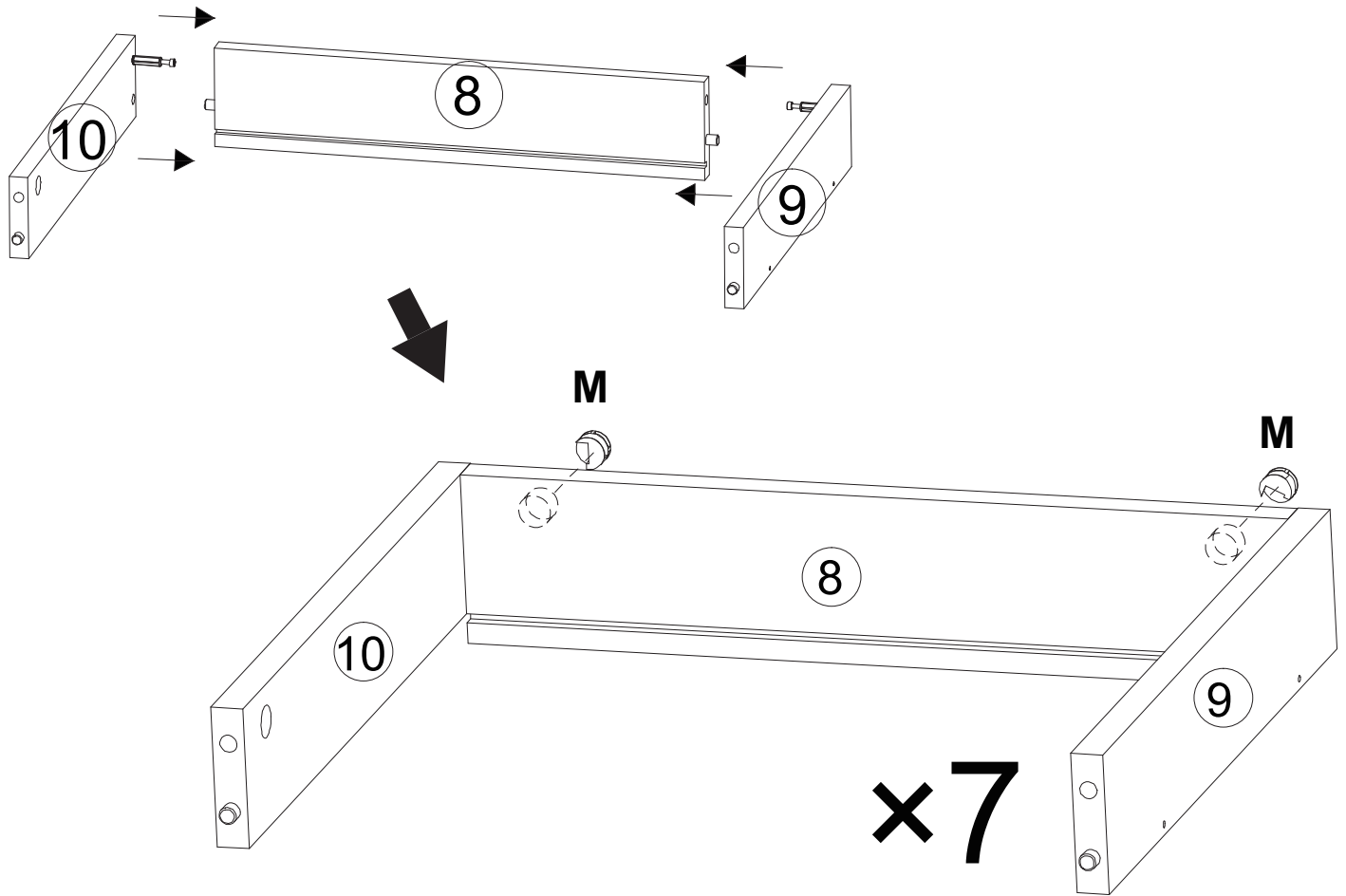
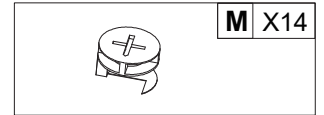
Step 10

	A X14
	B X14



Fix Dowel **(A)*****2** to the Board **(7)**. Attach Wooden Dowel **(B)*****2** to the Board **(8)**.

Step 11

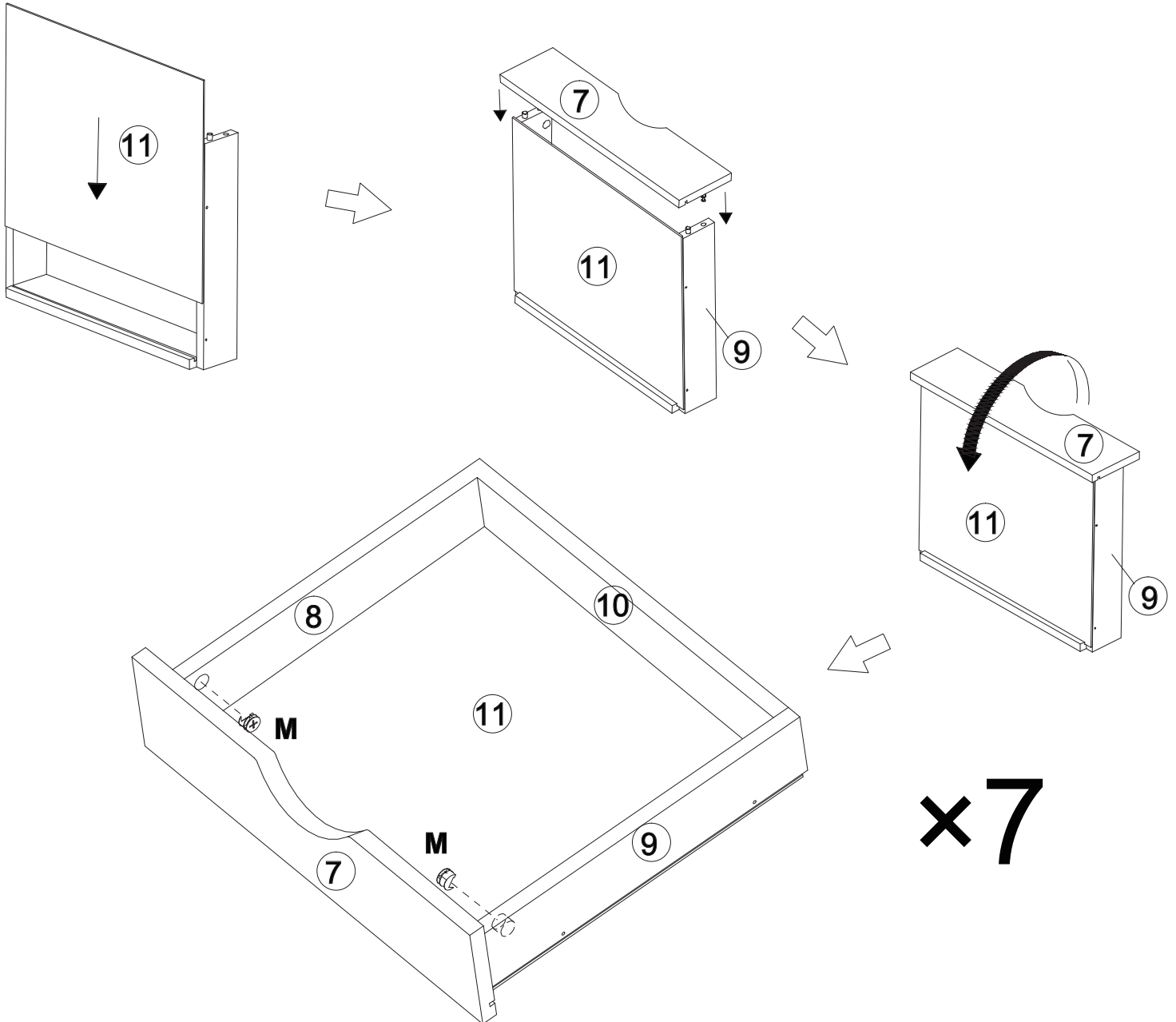


Fix Boards **(10&9)** to both sides of the Board **(8)** with Eccentric Wheel **(M)*2**.

Step 12

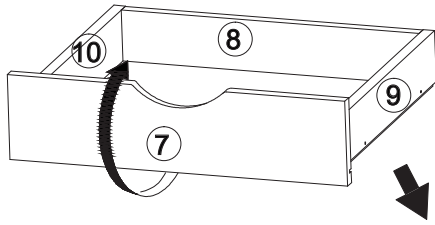


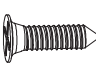
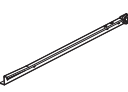
M X14

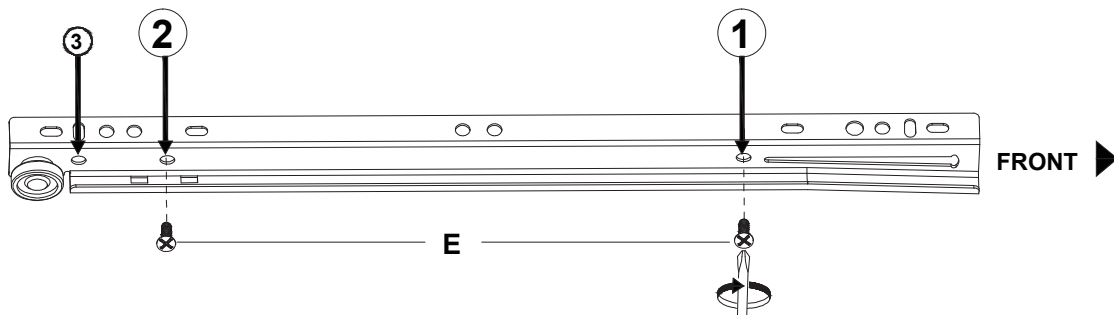
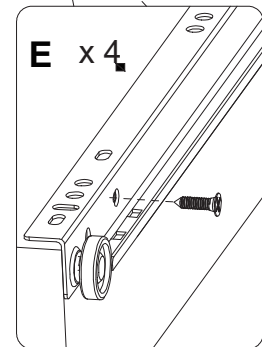
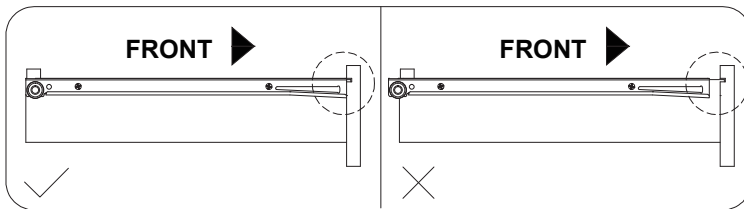
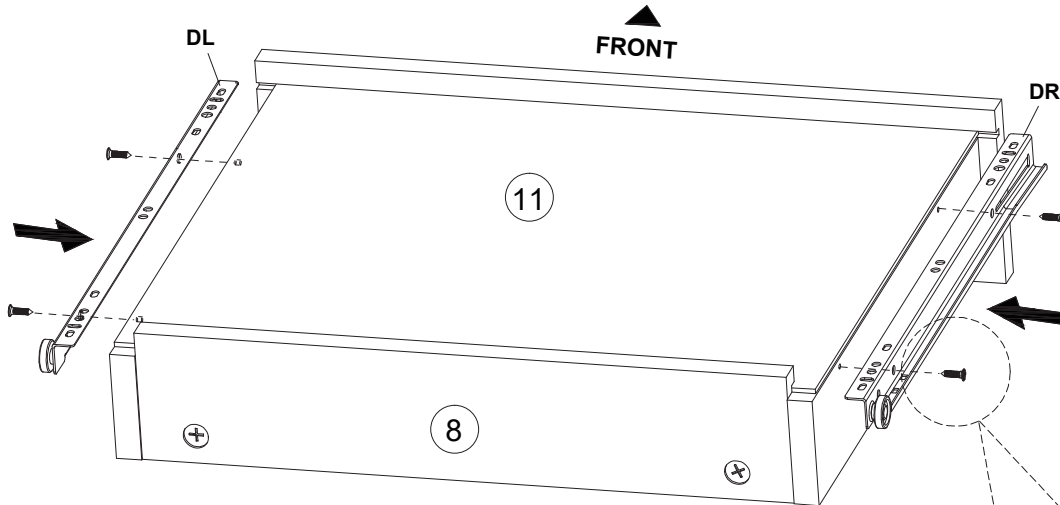


Slide the Board (11) into the installed Board groove. Then fix Boards (10&9) to both sides of the Board (7) with Eccentric Wheel (M)*2.

Step 13



	E X28		DL X7
	M4x14		DR X7



Turn the installed Drawer over. Attach Slide Rails (**DL&DR**) to the Boards (**10&9**) on each side of the drawer with Screws (**E**)*4.

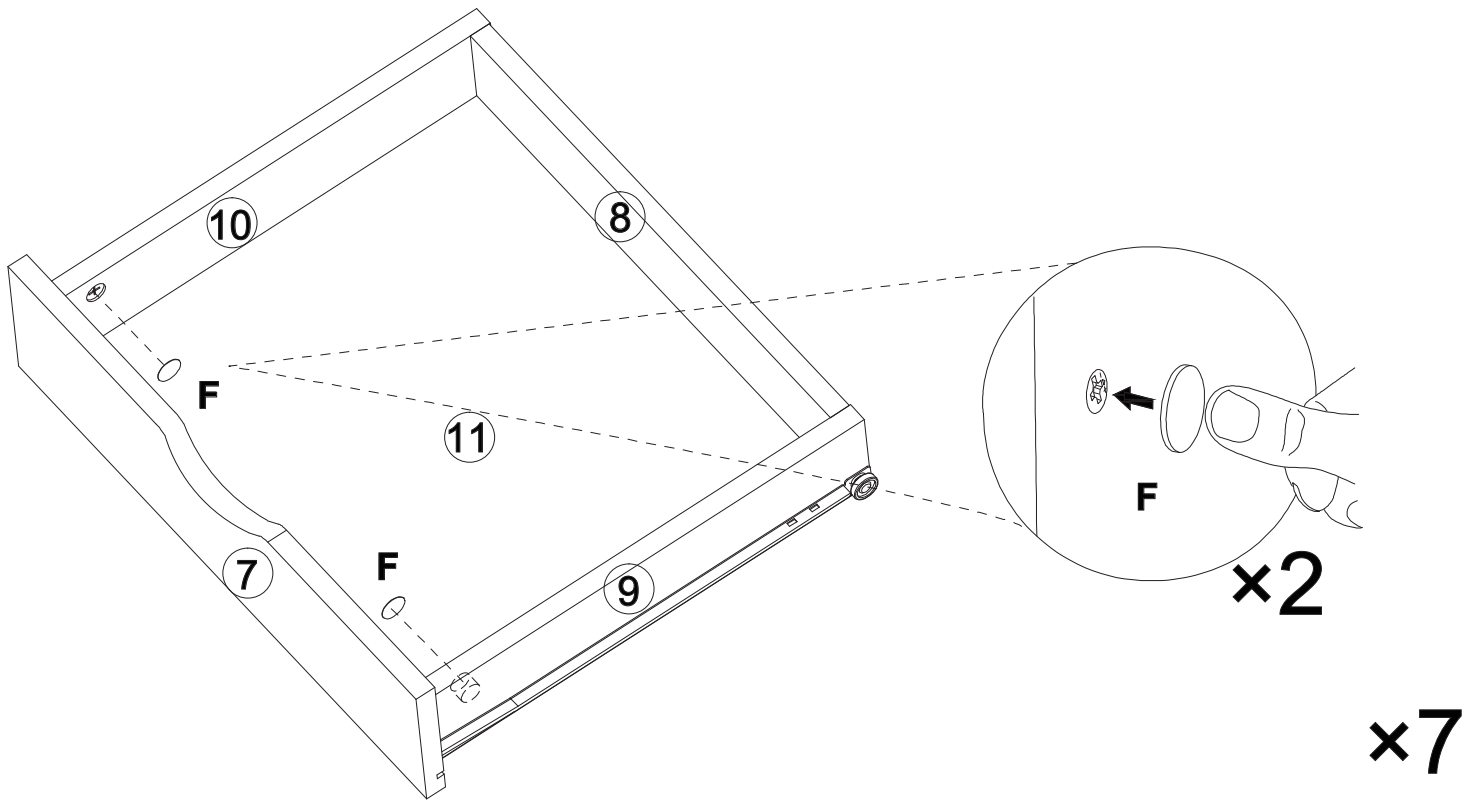
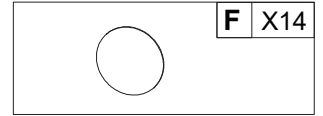
1. According to the "**FRONT**" of the Drawer, distinguish the left and right side of the Slide Rail.

Note:

2. Install the Slide Rail against the Board (**7**).

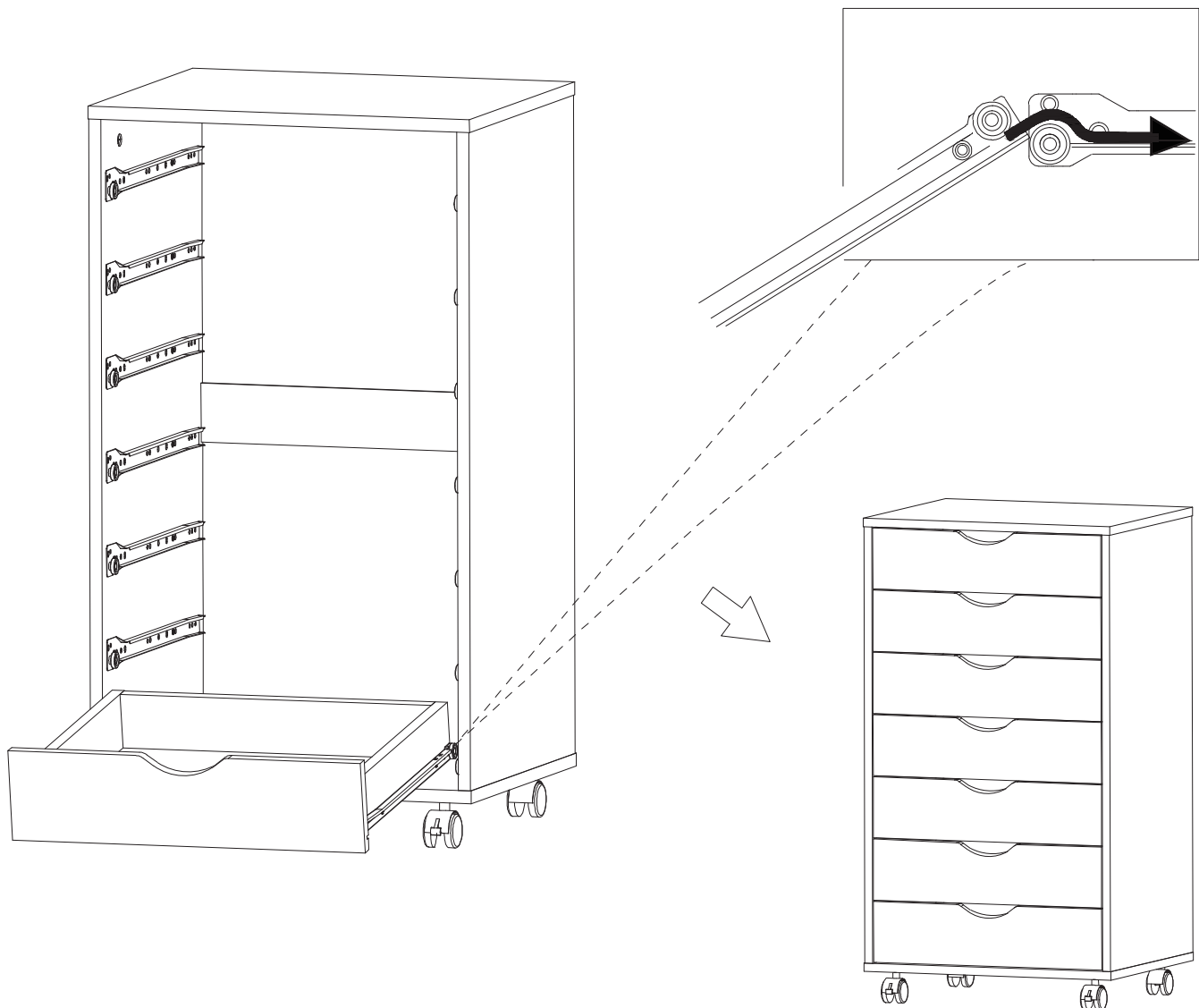
3. Install the Screws in holes **#2** and **#1** in this step.

Step 14



Using Cover-up Sticker (F)*2 to cover the exposed part of Screws.

Step 15

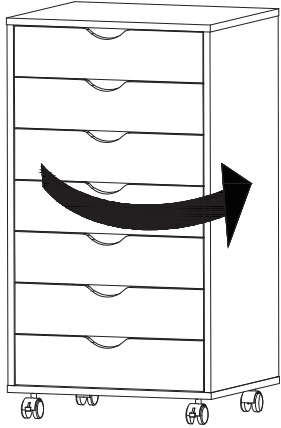




Align the Slide Rail on the Drawer with the unit and push it carefully inside until it stops.

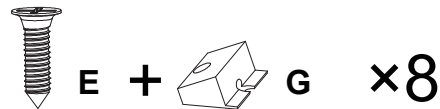
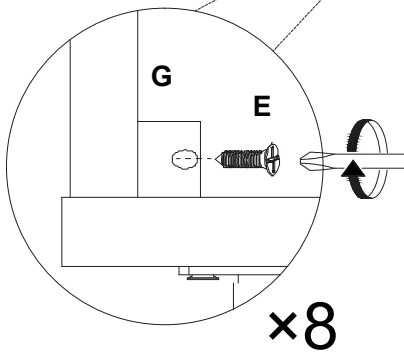
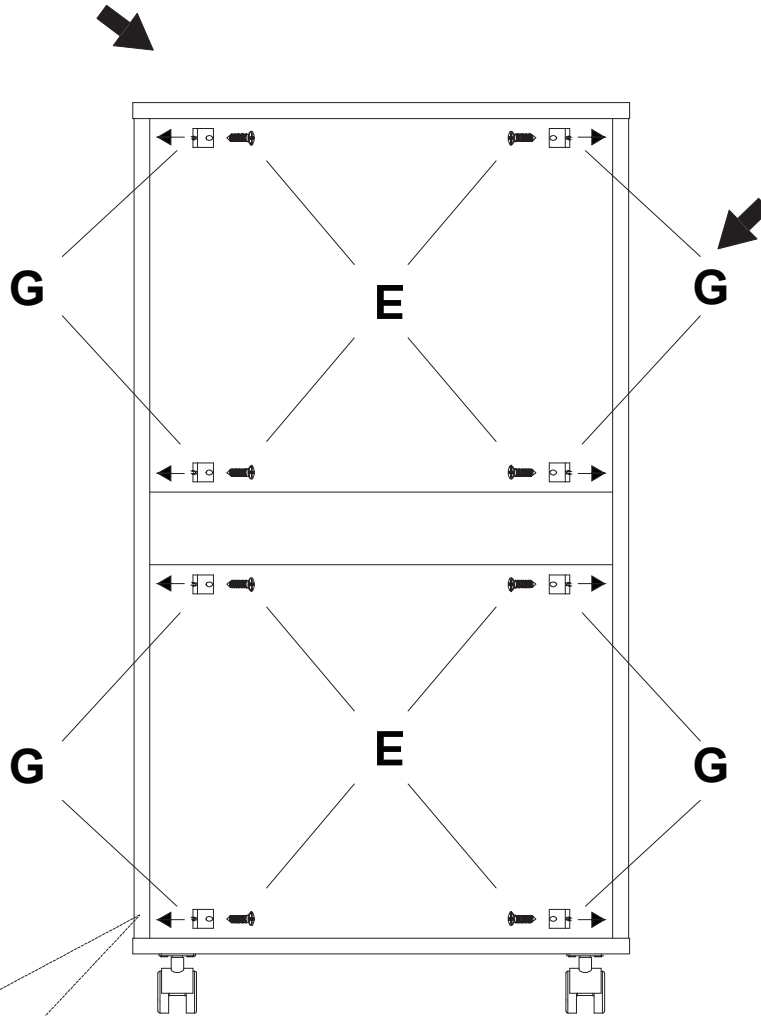
Note:

If the drawer does not go in smoothly please take it out and repeat the step. It is recommended to install the bottom drawer first to prevent tipping.

Step 16



	E X8 M4x14
	G X8



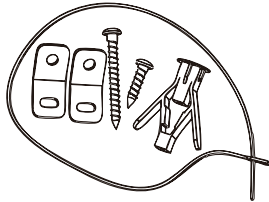
As shown, fix Buckle (**G**)*8 on the back of the installed Cabinet with Screws (**E**)*8.

! WARNING

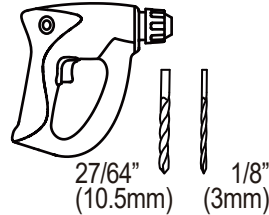
ANTI-TIPPING DEVICE

WALL ANCHORING GUIDE

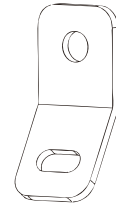
- The hardware you should use to secure your furniture to the wall depends on both your type of furniture and your wall material.
- Using anti-tipping device to attach your furniture to the cavity wall.



Anti-tipping device bag



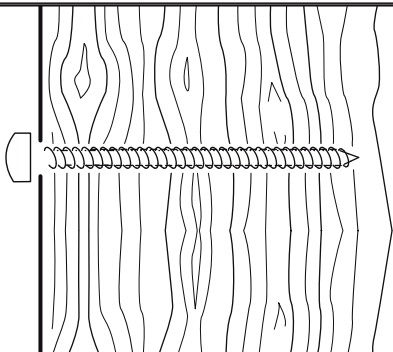
Electric drill (not provided)



Fixing hole (round)
Threading hole (oval)

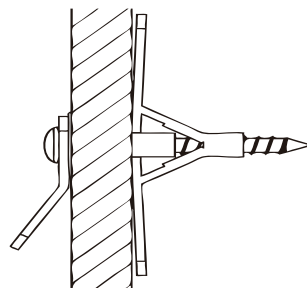
TYPE OF WALL MATERIAL

- Use the following guide to identify your wall material and choose the corresponding steps.
- Mark the attachment point(s) with a pencil at the appropriate height.



● Drywall or plaster with available wood stud

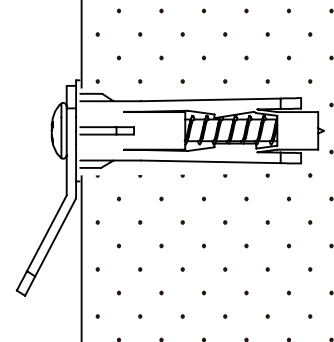
Drill 1/8-inch (3mm) diameter pilot hole(s) into the wood stud(s), at the height you marked with pencil.



● Drywall without available wood stud

Drill 27/64-inch (10.5mm) diameter hole (s) through the wall at the height you marked with pencil.

Drive the plastic plug(s) into the hole(s), using a hammer if needed.



● Masonry

Drill 27/64-inch (10.5mm) diameter hole(s) 2-inches (50mm)

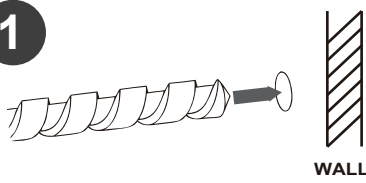
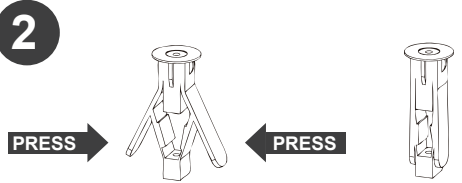
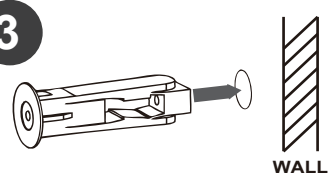
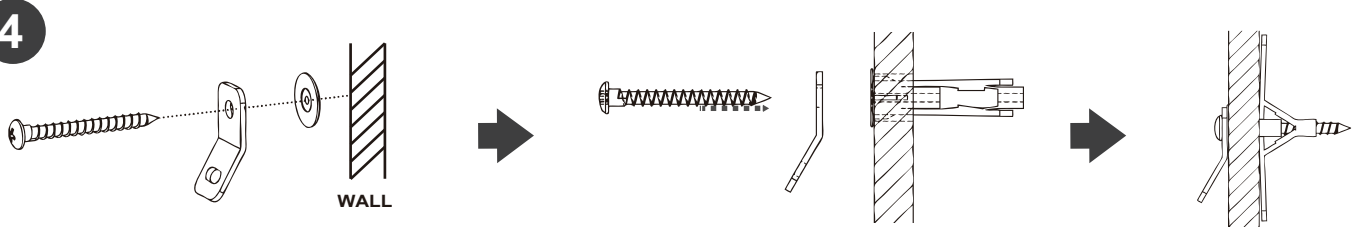
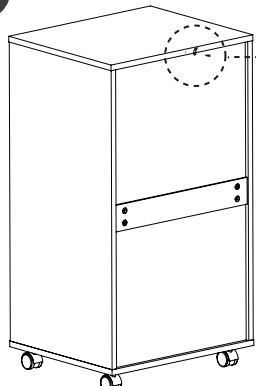
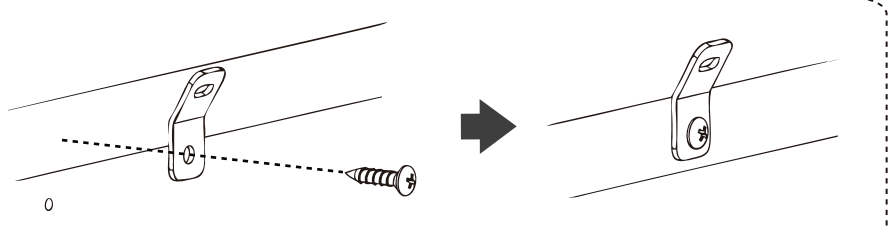
deep into the wall at the height you marked with pencil.

Drive the plastic plug(s) into the hole(s), using a hammer if needed.

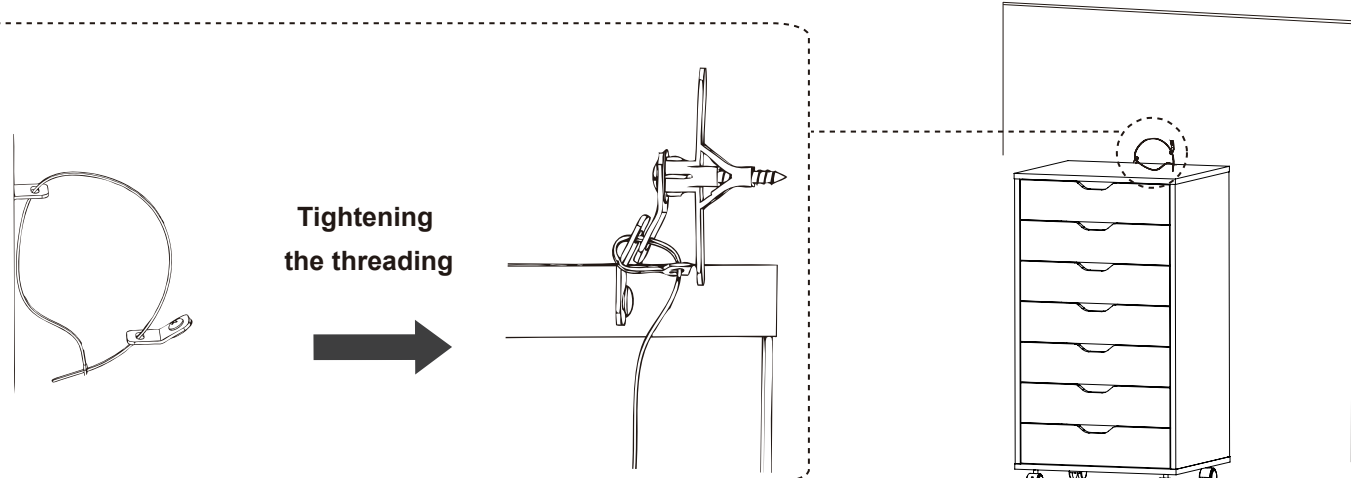
If your wall material is not listed here, or if you have any questions, consult your local hardware store.

Follow the appropriate pictogram instructions below, drive the screw(s) with washer(s) through the brackets and tighten screw(s) firmly into the plastic plug(s) in the wall. Do not over-tighten.

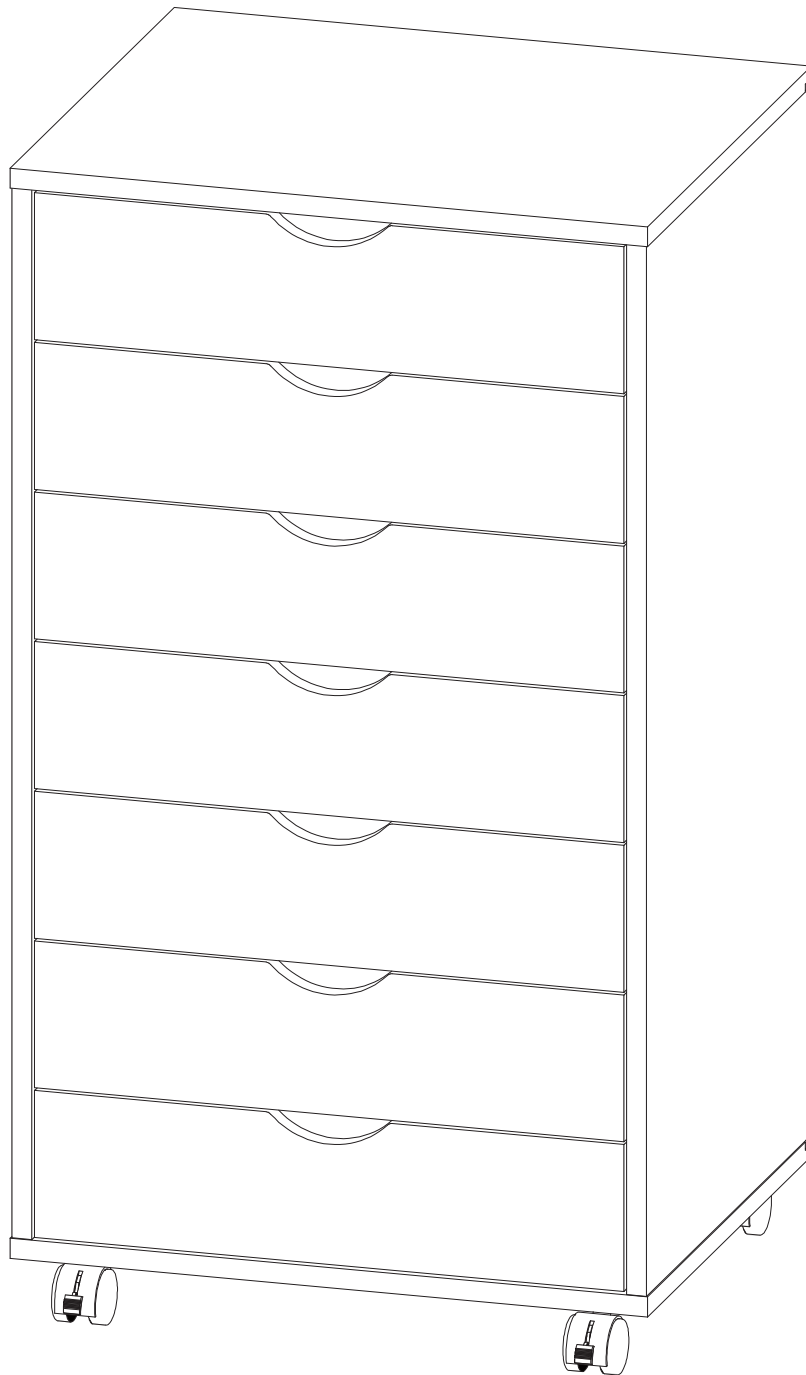
STEP

<p>1</p>  <p>Step 1 Drill a hole in the solid wall (Wood wall or Concrete wall)</p>	<p>2</p>  <p>Step 2 Press down on the sides of the plastic plug</p>	<p>3</p>  <p>Step 3 Insert the plastic plug into the hole</p>
<p>4</p>  <p>Step 4 Drive the screw(s) with washer(s) through the brackets and tighten screw(s) firmly into the plastic plug(s) in the wall</p>		
<p>5</p> 	 <p>Step 5 Drive the screw(s) through the brackets and tighten screw(s) firmly into the back of the Cabinet</p>	

6



Tightening the threading



Technical Support

(909)637-7665 | (909)637-7593

Other Info

HJ-Customer-Service@outlook.com



Thank you for choosing this product. We strive to provide you with the best quality products and service in the industry. Should you have any issues, please don't hesitate to contact us.

<https://hlinstallationvideos.s3.amazonaws.com/7CHDG-2130-Drawer+Storage+Cabinet.mp4>