

Drawer Dresser

Instruction Manual

CAB-5BC



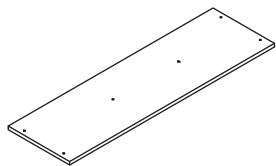
✉ HJ-Customer-Service@outlook.com

☎ (909)637-7665 | (909)637-7593

EST 9:00AM--17:00PM

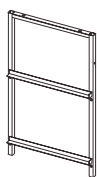
1 Component List

A X1



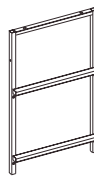
Top Board

B X1



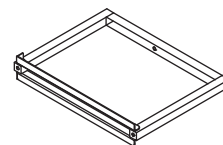
Side Frame

C X1



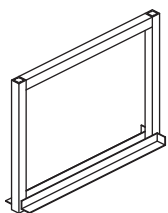
Side Frame

D X2



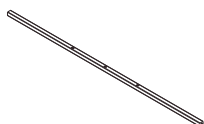
Middle Frame

E X1



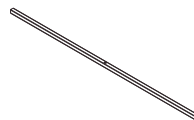
Middle Frame

F X2



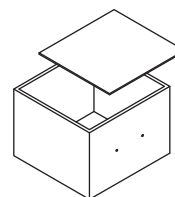
Cross Tube

G X2



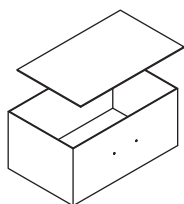
Cross Tube

H X3



Drawer

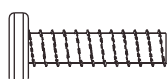
I X2



Drawer

2 Supplied Parts and Hardware

1 X22



Bolts
M6x25mm

2 X10



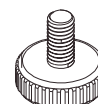
Bolts
M4x10mm

3 X5



Drawer Handle

4 X4



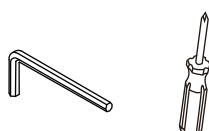
Adjusting Foot

5 X2

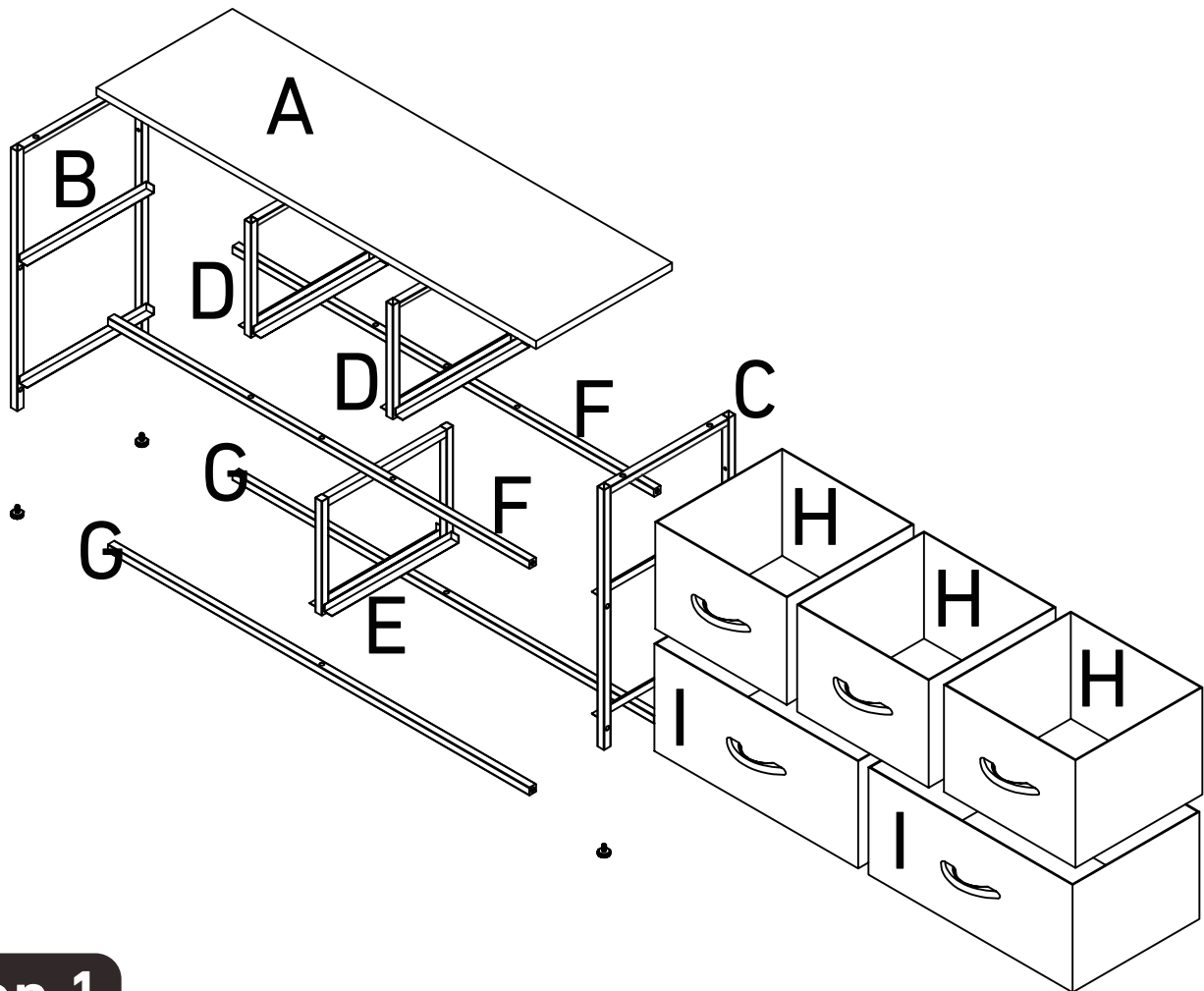


Bolts & Tube
M4x60mm

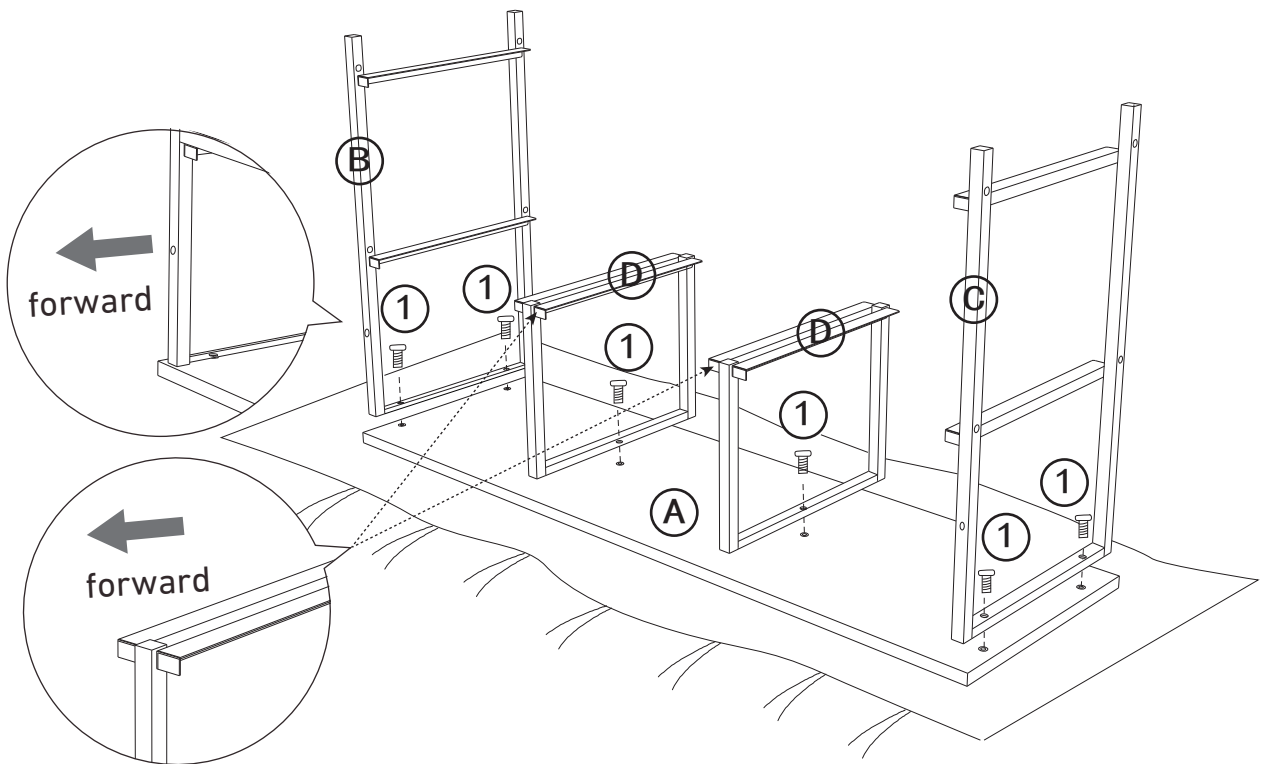
6 X1



Wrench & Screwdriver



Step 1

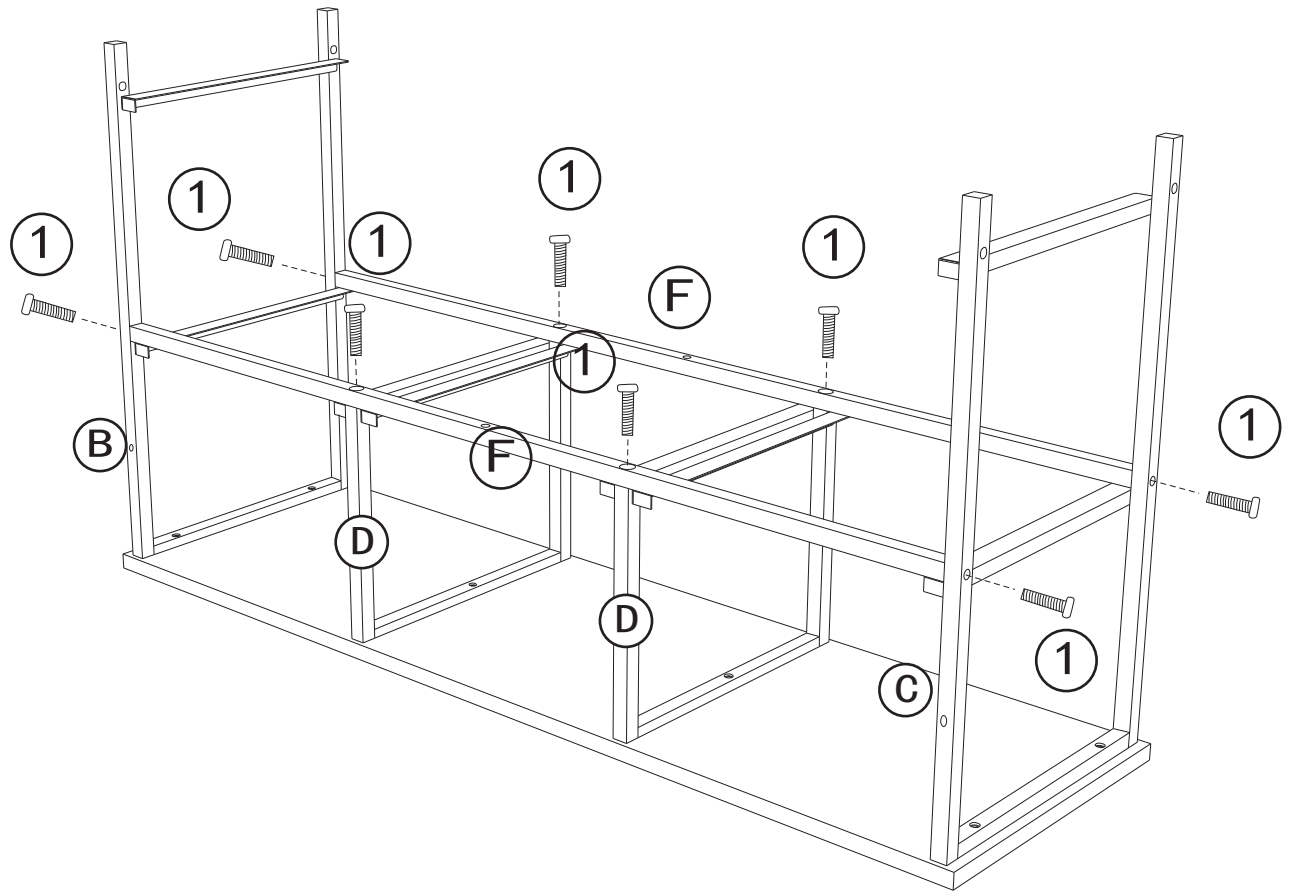


As shown, fix the Side Frames **(B)&(C)** to both ends of Top Board **(A)** and fix the Middle Frames **(D)*2** to the middle of **(A)** with Bolts **(1)*6**.

NOTE:

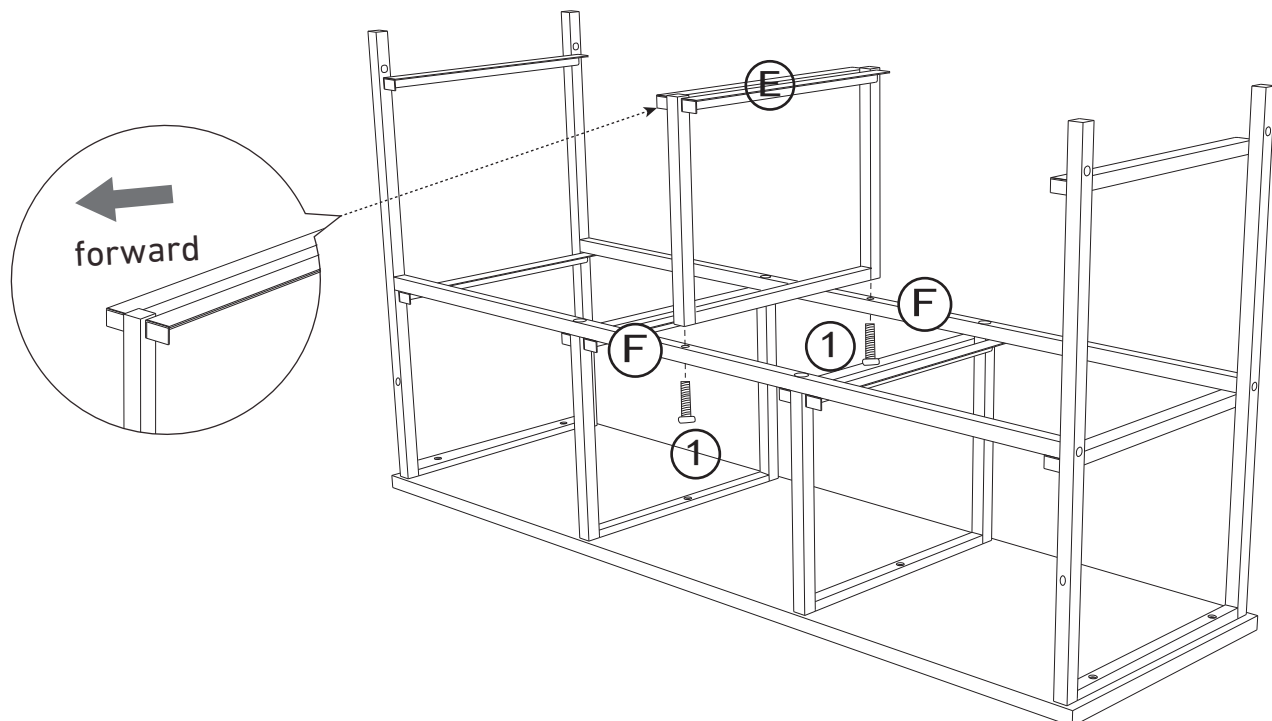
Put a blanket under the Top Board to avoid scratches or damage.
Side Frames **(B&C&D)** face the same direction.

Step 2



Install Cross Tube (F)*2 to the Frames (B&C&D) with Bolts (1)*8.

Step 3

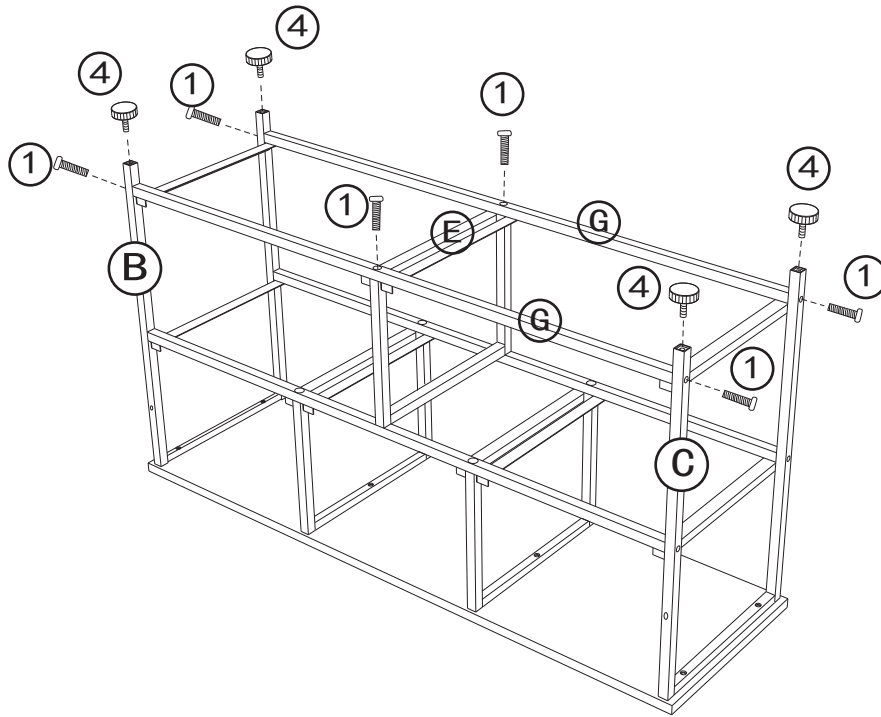


Install Middle Frame (E) to the middle of the Cross Tube (F)*2 with Bolts (1)*2.

NOTE:

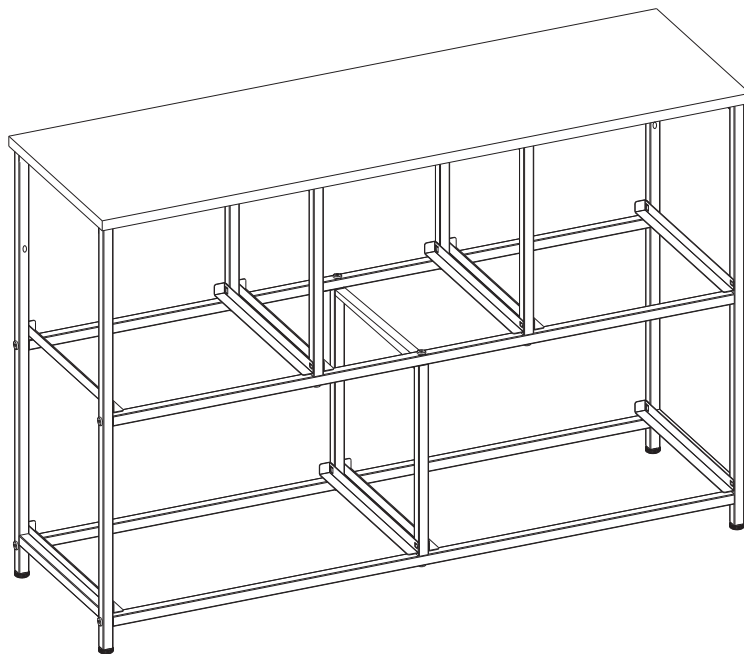
Middle Frames (D&E) face the same direction.

Step 4



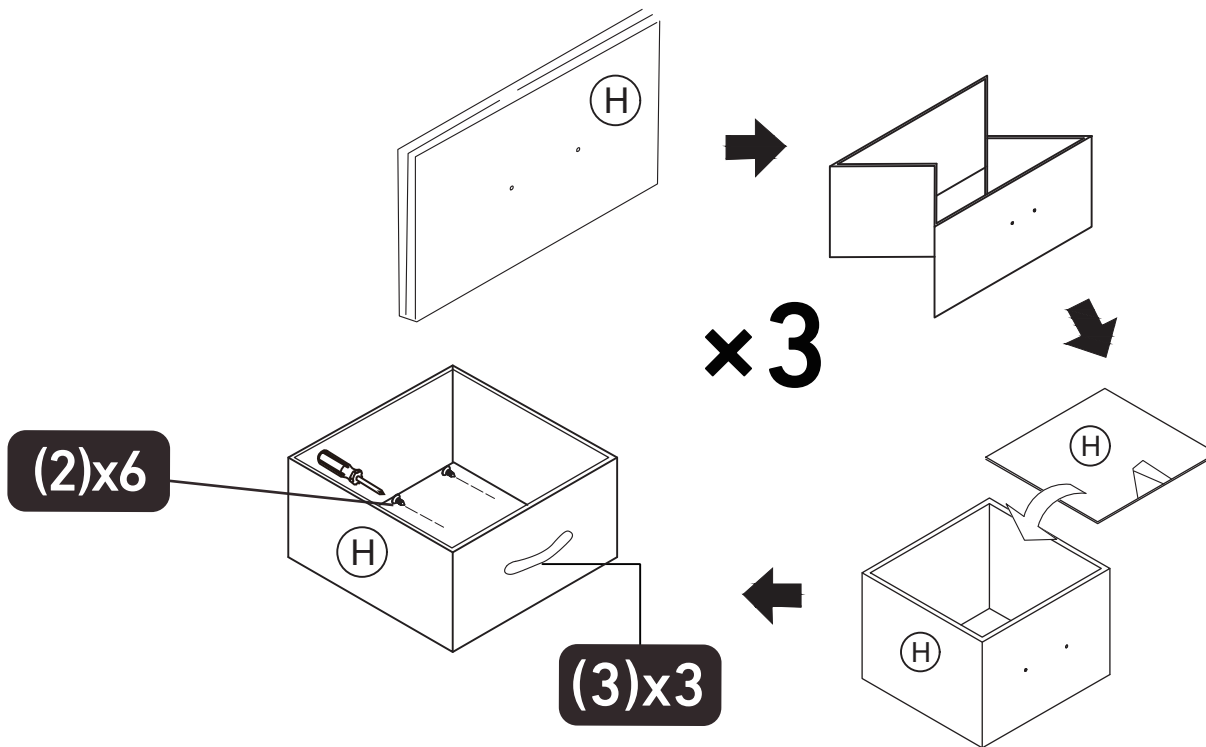
Install Cross Tube **(G)*2** to the Frames **(B&C&E)** with Bolts **(1)*6**.
Then Install Adjusting Foot **(4)*4** to the Side Frames **(B&C)**.

Step 5



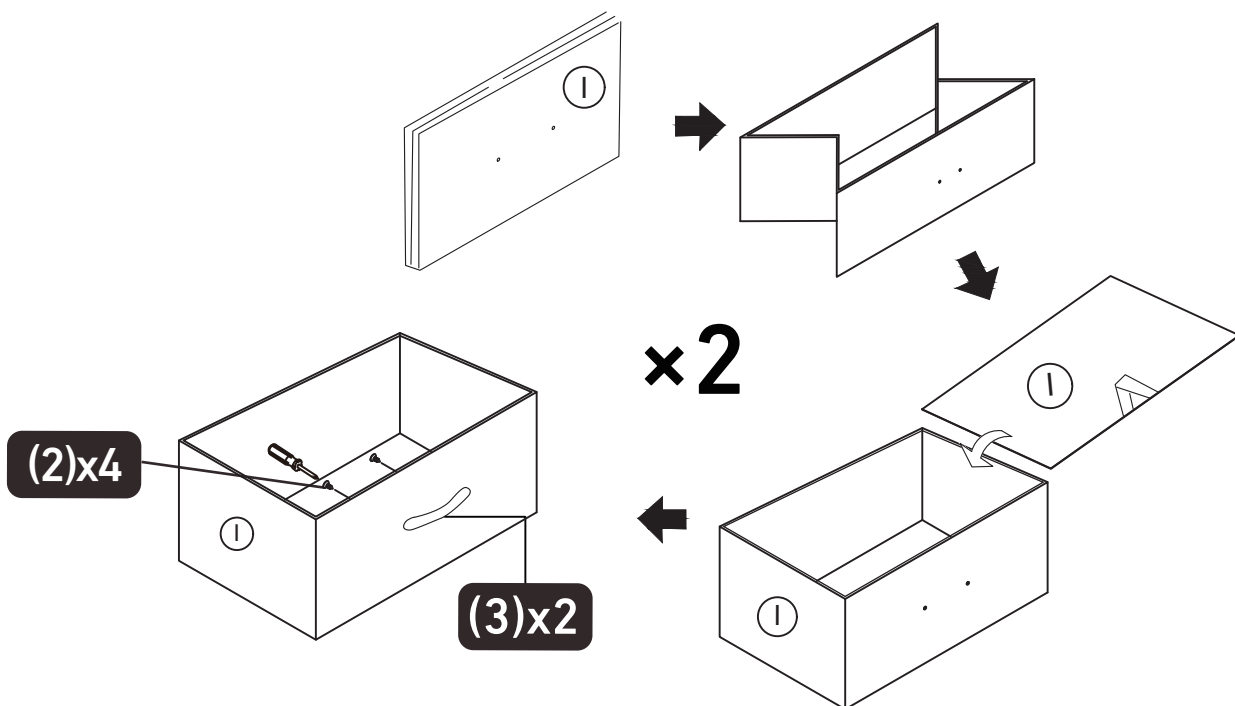
Turn the Dresser face up.

Step 7



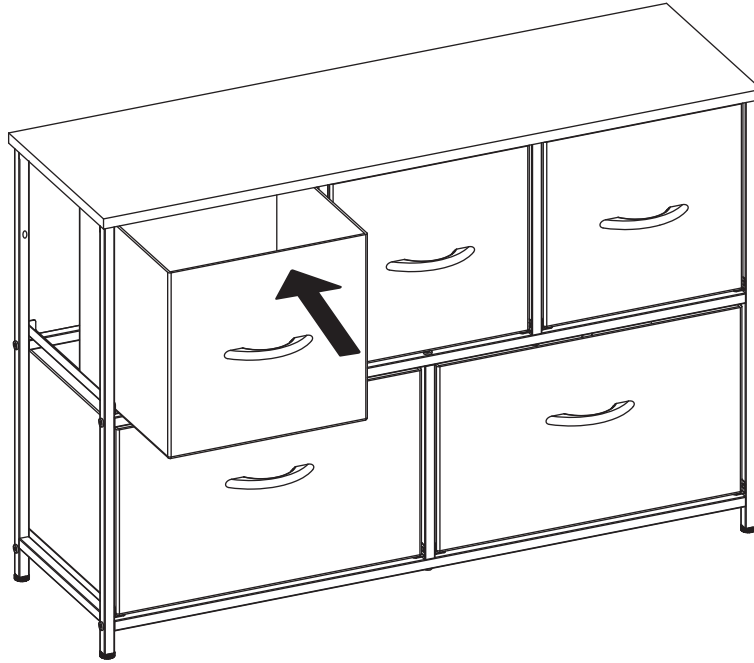
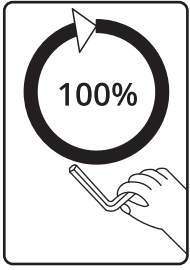
Place Base Board for Drawer (H) into the expanded Drawer (H), and install the Drawer Handle (3) with Bolts (2)*2. Install the three Drawers (H)*3 in the same way.

Step 8



Install Drawer (I)*2, Base Board for Drawer (I)*2 and Drawer Handle (3)*2 in the same way as in the previous step.

Step 9

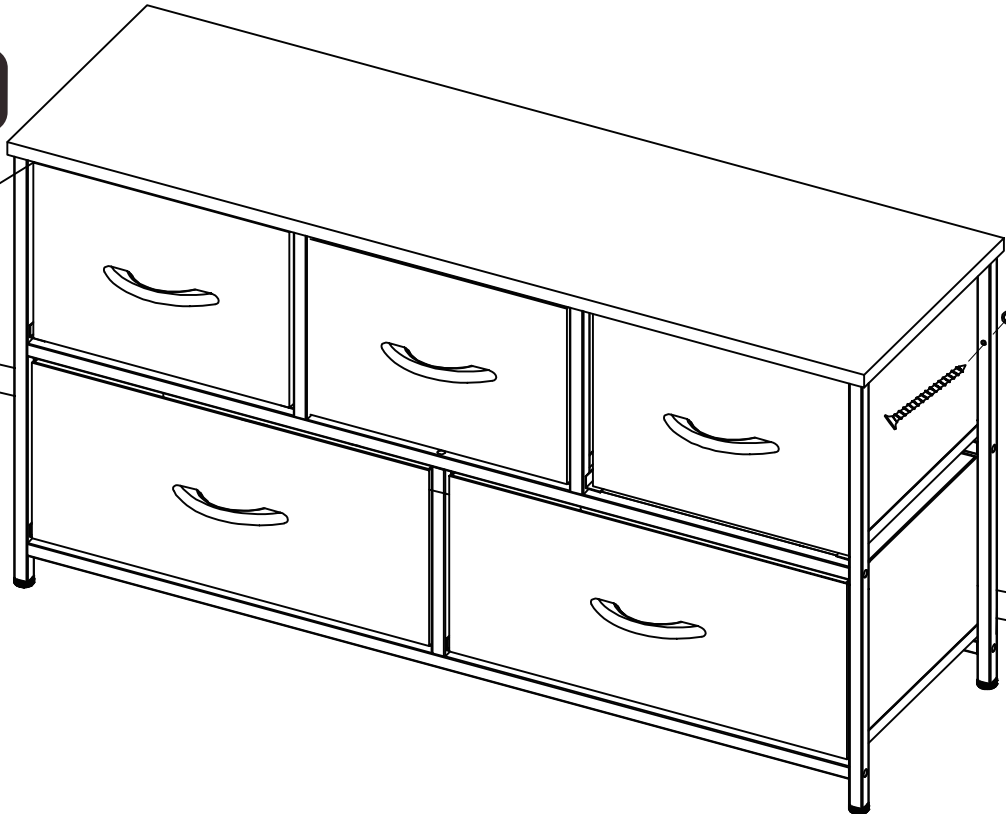


Place the installed Drawers into the Dresser.

NOTE: Make sure all Bolts are 100% tightened before use.

Step 10

(5)x2



(5)x2



If you need to fix the Drawer Dresser to the wall, drill holes in the wall with an electric drill, then insert Expansion Tube (5)*2 and fix the Drawer Dresser with Bolts (5)*2.



Technical Support

(909)637-7665 | (909)637-7593

Other Info

HJ-Customer-Service@outlook.com

Thank you for choosing this product. We strive to provide you with the best quality products and services in the industry. Should you have any issues, please don't hesitate to contact us.