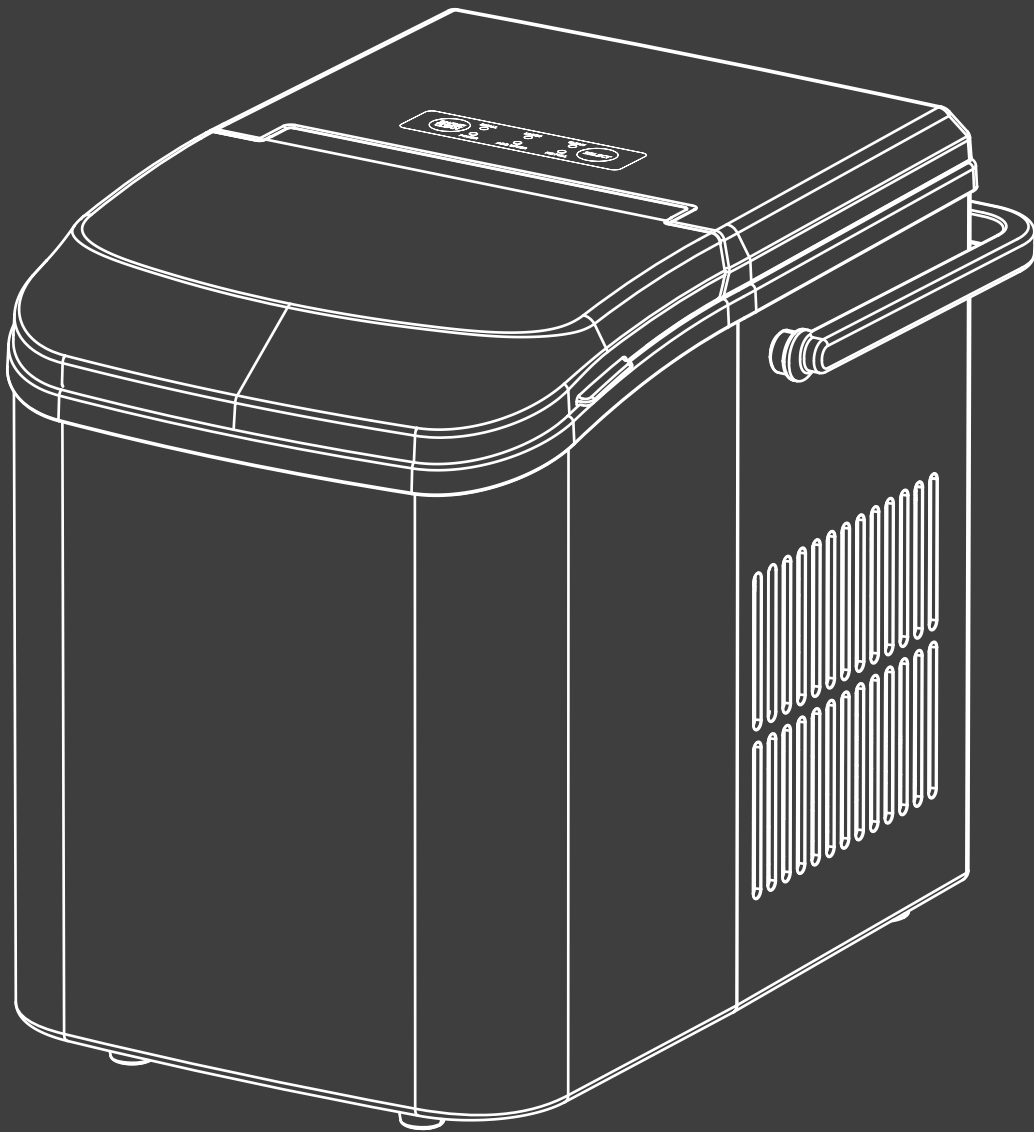


Ice Maker

Instruction Manual

ZBJ-PP10A-GN

ZBJ-PP10A-BK



✉ HJ-Customer-Service@outlook.com

☎ (909)637-7665 | (909)637-7593

EST 9:00AM--17:00PM

Model No(S): WBJ-10A

Thank you for choosing our ice maker

Please make sure your items have arrived in good condition and confirmation of goods receipt.

If you have any questions or problems, please feel free to contact us for assistance.

Please take a few minutes to read this manual carefully.

Proper maintenance and operation of this machine can provide better service.

PAGE CONTENT

Important Safety Information	1
Product Introduction	3
Before Using You Should Know	4
How to Use Your Ice Maker	5
Troubleshooting	6
Technical Parameter	8

IMPORTANT SAFETY INFORMATION



- Before using check that the voltage power corresponds to the one shown on the appliance nameplate.



- This appliance must be grounded.



- Avoid the use of an extension cord because it may over heat and cause a risk of fire. However, if it is necessary to use an extension cord:

(1) Use only extension cord with grounding plug.

(2) The marked rating of an extension cord must be equal to or greater than the rating of this appliance.

- Do not operate if any component, including the cord or plug, is damaged.
- Unplug the unit before cleaning by hand and when not in use.



- Children or mentally/physically unable personnel are not allowed to operate the ice maker.

- Do not place the power cord in such a way it could be pulled on by children or cause a tripping hazard.
- Closely watch children who are near the unit when making ice



- Do not use water that is micro-biologically unsafe or of unknown quality.



- Do not touch the evaporator with your hands while the ice maker is operating. Do not plug or unplug the unit with wet hands.

- The unit must be properly installed and located following the installation instructions before it is used. The unit is for indoor household use only.



• Do not store or use flammable vapors or liquids near the unit.



• Do not immerse any part of the unit in water.



• Do not attempt to disassemble, repair, modify or replace any part of the ice maker without permission.

WARNING



Risk of fire / flammable materials



1. Do not locate multiple portable socket-outlets or portable power supplies at the rear of the appliance



2. When handling, installing and operating the unit, care should be taken to avoid damage to the refrigerant tubing.



3. Keep ventilation openings in the unit enclosures or the built-in structure clear of obstruction.



4. Do not place the unit near heat sources such as an oven.

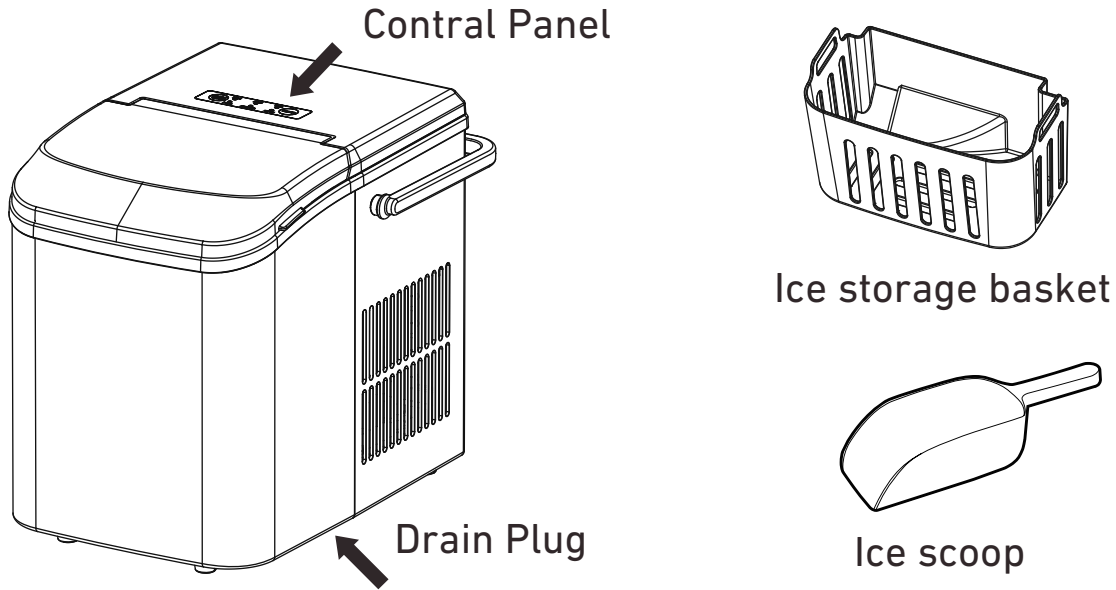


5. Ensure a minimum of three inches of clearance around the side and back walls of the unit for proper air circulation.

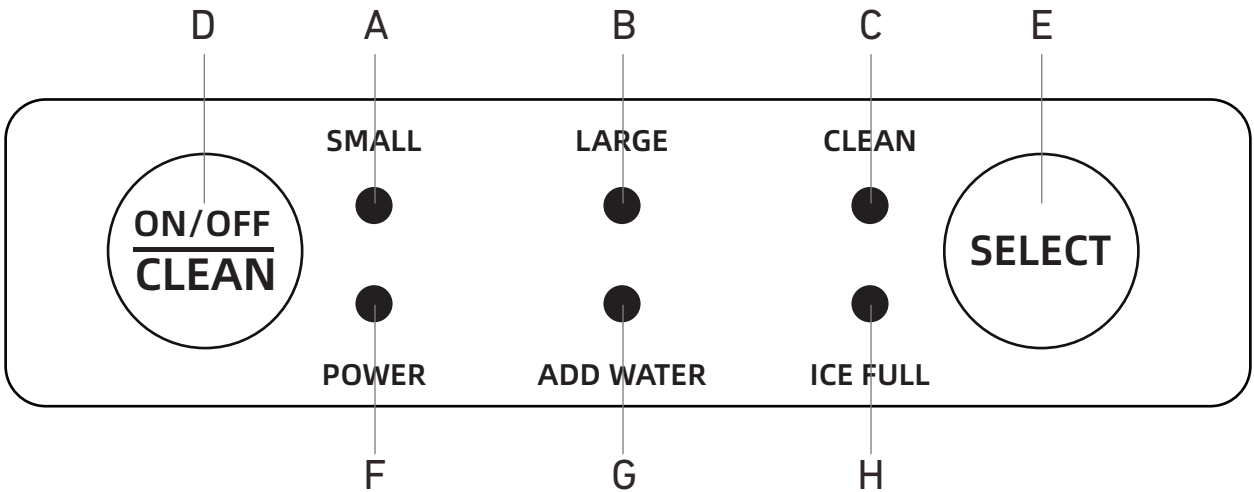


6. Do not place the unit in direct sunlight.

PRODUCT INTRODUCTION



Control panel



A---Small ice indicator
B---Large ice indicator
C---Clean indicator
D--- ON/OFF button

E---Select botton
F---Power indicator
G--- Add water indicator
H--- Ice full indicator

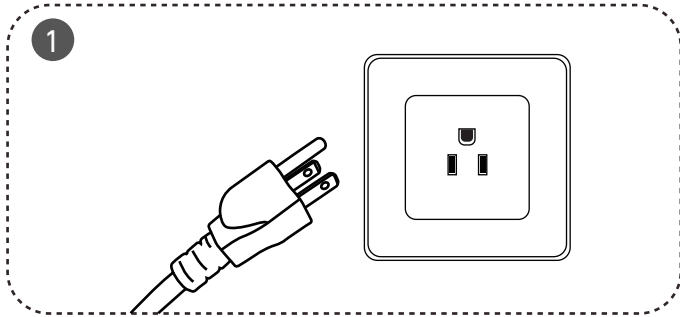
BEFORE USING YOU SHOULD KNOW

Before connecting the power cord, please put the machine upright for 24 hours to allow the refrigerant to settle. Unpack all packaging materials: foam, bags, tape, etc.

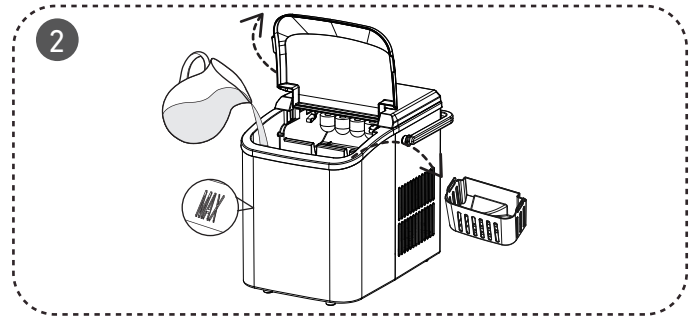
- The machine should be placed on a stable level to support the ice machine's weight of water or ice.
- This machine can be installed without any support and can be installed in any place that meets the conditions of use and power supply.
- Use a machine in place that is well ventilated and has a temperature between 50 °F and 100 °F . Do not install or operate the machine in a sealed space, such as a closed room.
- Install the machine away from the following factors, such as wind, rain, water mist or the electromagnetic environment.
- Do not place it next to high-temperature sources such as ovens and grills.
- To ensure long-term use of the machine, use filtered or purified water; or use citric acid every other week to clean the outside of the machine and the dust deposits on the bottom of the tank.

HOW TO USE YOUR ICE MAKER

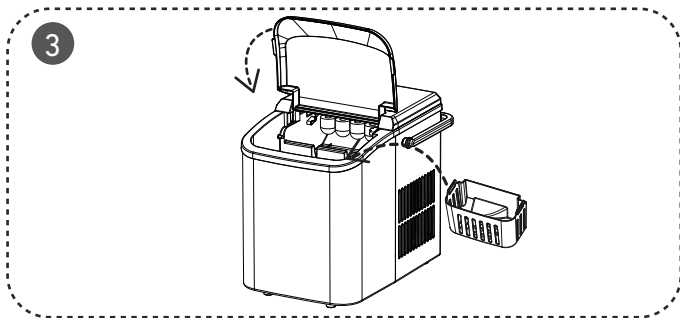
When using for the first time (or not used for a long time), it is recommended to discard the ice cubes made in the first 4 cycles to ensure that the machine is thoroughly cleaned.



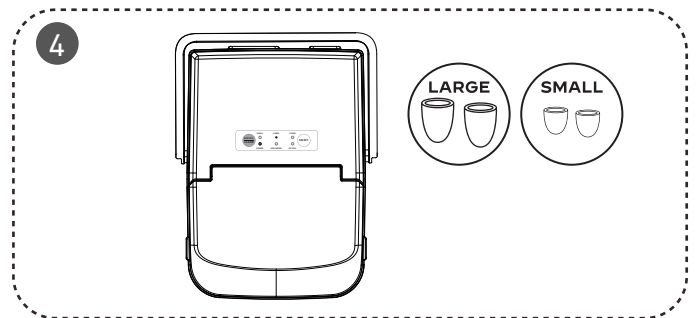
Open the front cover, take out the ice basket, and pour potable water into the water tank (Do not exceed the MAX mark of the water level).



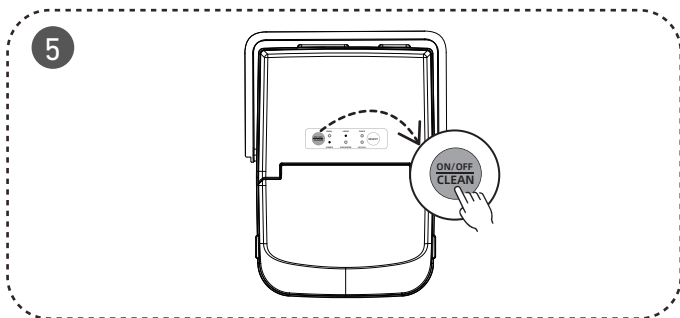
Put back the ice basket. Make sure the water level is below the bottom of the ice basket, and then close the front cover.



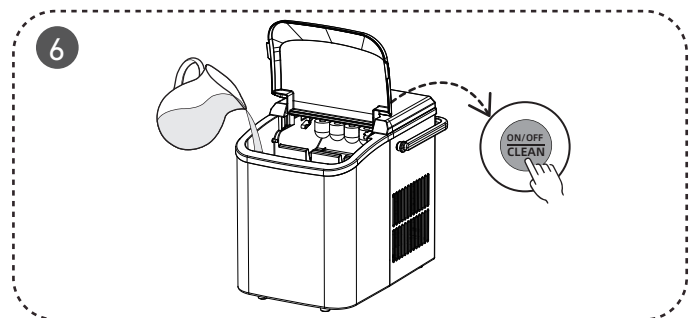
After plugging in, the appliance is in standby mode with the power indicator flashes green and small ice indicator stable in green.



Press the ON/OFF button once, the appliance will start working in small ice cube mode by default, and the small ice indicator will be stable in green color.



During the ice making cycle, press the Select button to switch to large ice cube mode; the large ice cube indicator will turn on. The appliance has power-off memory function. The previously running large/small ice cube mode before power-off will be automatically resumed after power-on.



In the standby mode, press and hold the ON/OFF button for 5 seconds, the appliance will enter self-cleaning mode, and the clean indicator turns red. After 15 minutes, self-cleaning mode ends, the appliance switches to standby mode, and the power indicator flashes.

TIPS:

- When the ice box is full, the “ICE FULL” indicator on the display panel will light up (red), and the machine will stop automatically. When the ice is removed, the machine will restart working.
- If water is insufficient, the “ADD WATER” indicator lights up (red) and the ice maker will stop working. After refilling, press the ON/OFF button to restart.
- When you do not use the ice maker, please turn off the ice maker and unplug the power cord.

TROUBLESHOOTING

- If the machine breaks down, please wait for the machine to stop automatically. You can solve the problem by using the method in the table below. But don't disassemble, inspect or repair the machine without professional guidance.
- This machine has a self-checking function. If an error occurs, the ice-full and add-water indicator will flicker alternately, and the ice maker will stop working.

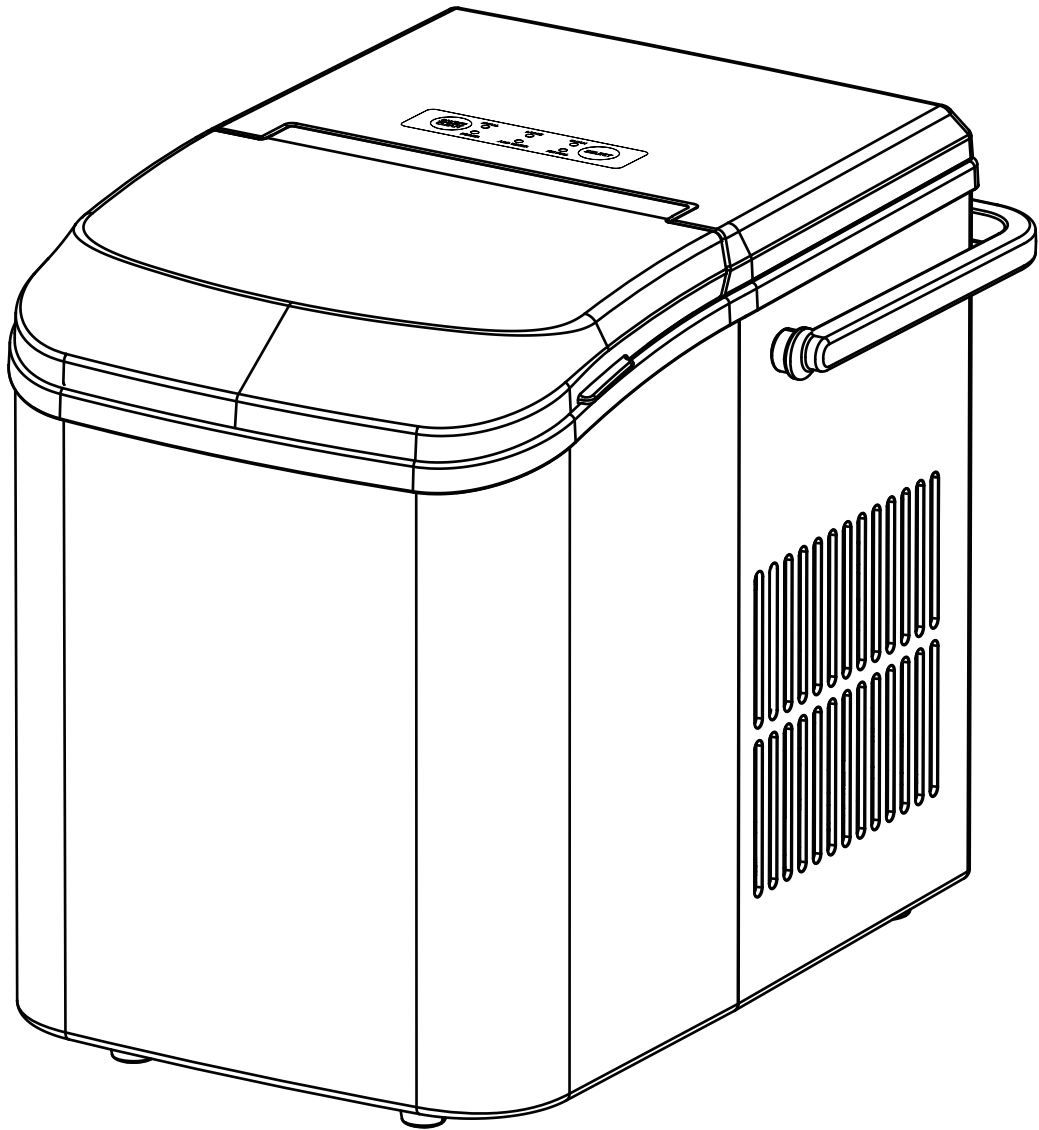
phenomenon	cause	solution
The machine does not respond	Not powered	Check the power supply Check the power cord connection Check the power cord for damage
	There is no power in the power jack	
	The power cord is not plugged in firmly	
	Power cord is damaged	Call authorized technician repair
Add water indicator light on	Lack of water	Please add water and restart the machine
	Poor induction of the water shortage sensor	Power off for 2 minutes and restart the machine
Ice full indicator light on	Ice basket is full	Please take out the ice cubes from the ice basket
	Poor induction of ice full sensor	Clean the induction probe
Ice cubes stick together	Ice making environment temperature or water temperature is too low	Replace the water. Temperature of water recommended at 45 ℉ -90 ℉
Ice cubes smaller than usual size	Ice making environment temperature or water temperature is too high	Replace the water. Temperature of water recommended at 45 ℉ -90 ℉
The machine is	Refrigeration pipe blockage	Call authorized technician repair
working properly but does not make ice	Refrigerant leak	Call authorized technician repair

TECHNICAL PARAMETER

Model	WBJ-10A
Applicable Climate Types	SN/N/ST
Grade of protection against electric shock	I
Ice storage capacity	500g
Water tank volume	1.5L
Rated voltage/frequency	115V/60Hz
Rated current	1.8A
Refrigerant/Weight	R600a/26g
Type of thermal insulation	EPS
Net weight	7KG
Product size	225mm*320mm*295mm

Thank You

For choosing our ice maker!



Technical Support

(909)637-7665 | (909)637-7593

HJ-Customer-Service@outlook.com

Thank you for choosing this product. We strive to provide you with the best quality products and services in the industry. Should you have any issues, please don't hesitate to contact us.