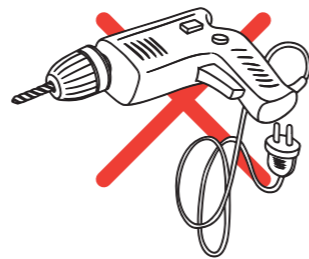


To deodorize the leather  
leave the chair in a shady  
outside for 1-2 days.



For longer use

Re-tighten bolts every 6 months by using  
the enclosed allen-key.  
\*Using an electric drill can damage the chair.  
Please re-tighten bolts manually.



## Safety Information



Sit in the center of the  
chair, with your back to  
the backrest



Do not sit at the front  
edge of the chair



Do not stand on the  
chair



Do not use the chair  
with more than one  
person



Do not push the chair  
around when a person  
is sitting in it



Do not push down on  
the backrest when a  
person is reclined



Do not place all your  
weight on only the  
backrest

# INSTRUCTION MANUAL

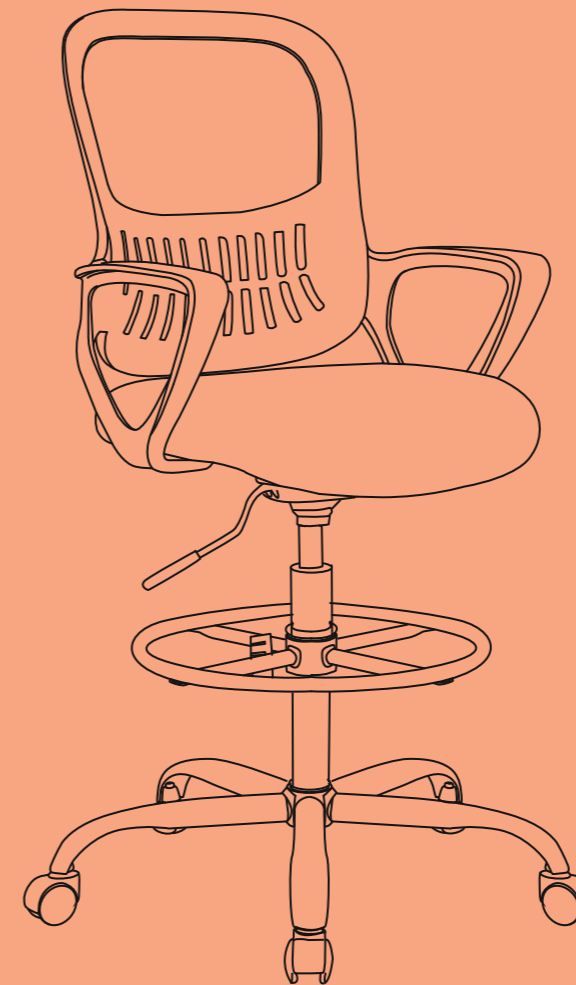
Model: C-3718-5A

✉ HJ-Customer-Service@outlook.com

☎ (909)637-7665 | (909)637-7593

# INSTRUCTION MANUAL

## C-3718-5A



✉ HJ-Customer-Service@outlook.com

☎ (909)637-7665 | (909)637-7593

EST 9:00AM--17:00PM

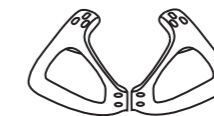
## Package List



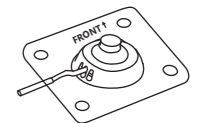
(A)\*1 Backrest



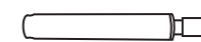
(B)\*1 Seat



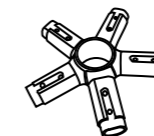
(C)\*1L \* 1R Armrests



(D)\*1 Mechanism



(E)\*1 Gas Lift



(F)\*1 Base



(G)\*5 Legs



(H)\*5 Casters



(I)\*4 Bolts



(J)\*6 Bolts



(K)\*10 Bolts



(L)\*4 Bolts

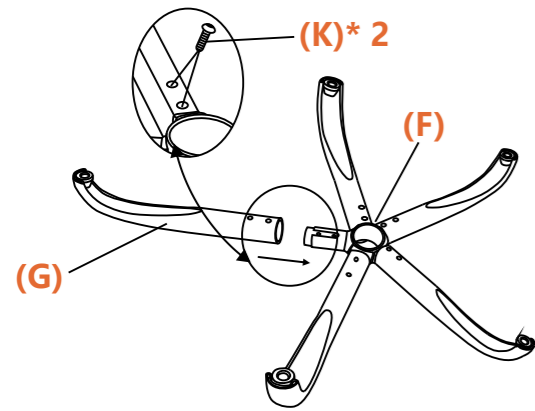


(M)\*1 Wrench

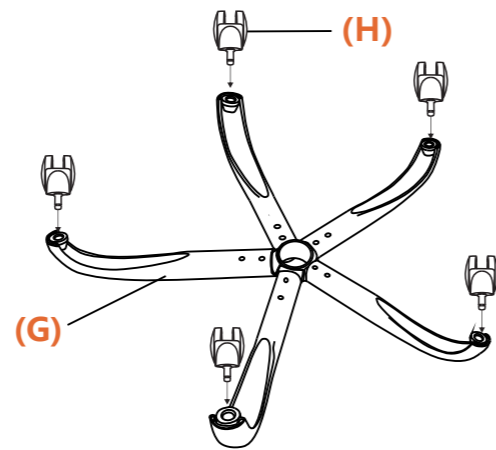


(N)\*1 Foot Ring

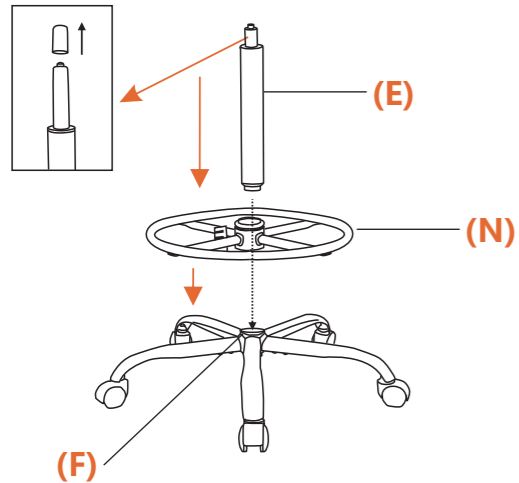
# Assembly Instruction



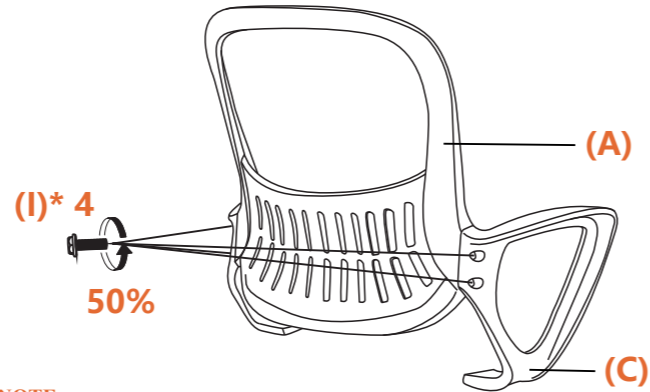
**1** Turn the Base (F) upside down, insert the Legs (G)\*5 into the Base one by one. Use Wrench (M), secure both with Bolts (K)\*10.



**2** Press Casters (H)\*5 into the holes at the end of Legs (G)\*5.

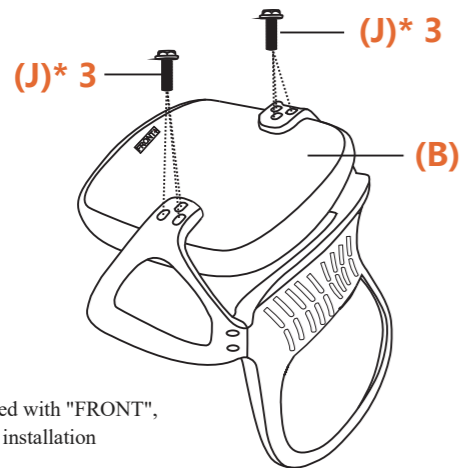


**3** Insert Gas Lift (E) into the center hole of the Foot Ring (N) and lift the Foot Ring upward to secure it to the Gas Lift. Then insert Gas Lift (E) into the Base (F). Remove the cover from the top of the Gas Lift (E).



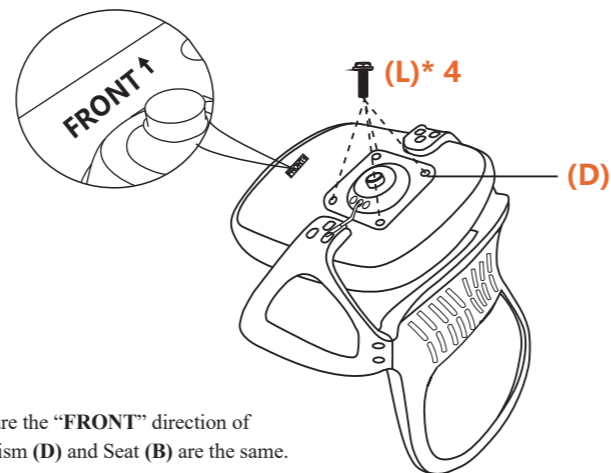
**NOTE:**  
1. Bolts (I) are only tightened 50%.  
2. Armrests (C)\*1L\*1R are marked with "L" (Left) and "R" (Right) to show which side they should be installed.

**4** Using Wrench (M), install Armrests (C)\*1L\*1R to both sides of the Backrest (A) with Bolts (I)\*4.



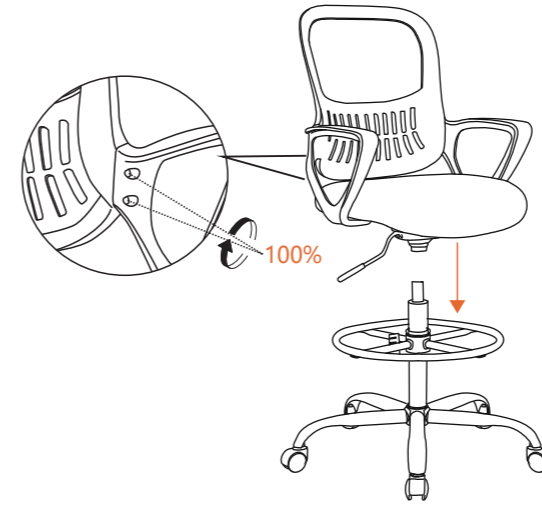
**NOTE:**  
The Seat (B) is marked with "FRONT", please make sure the installation direction is correct.

**5** Turn the Seat (B) upside down. Using Wrench (M), install Armrests (C)\*1L\*1R to the Seat with Bolts (J)\*6.

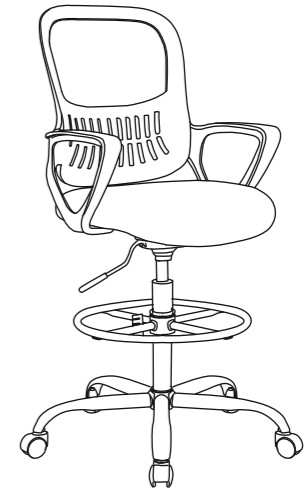


**NOTE:**  
Make sure the "FRONT" direction of Mechanism (D) and Seat (B) are the same.

**6** Using Wrench (M), attach Mechanism (D) to the Seat (B) with Bolts (L)\*4.

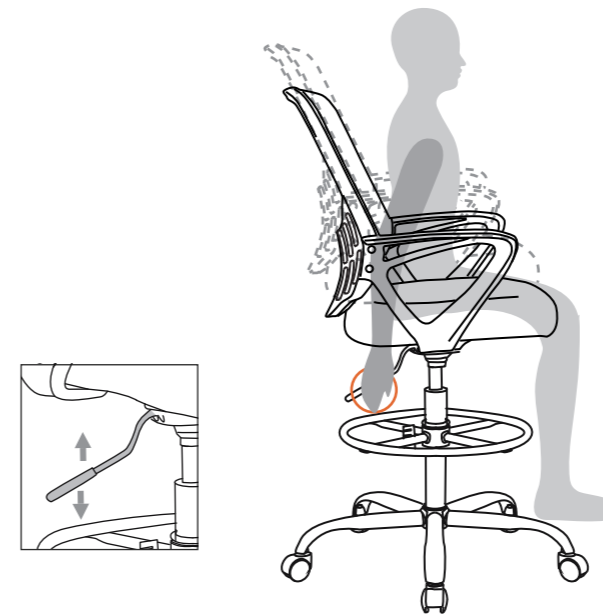


**7** Align the hole on Mechanism (D) with Gas Lift (E), and press the Chair down until it is fully secured. Using Wrench (M), **100%** tighten the previously installed Bolts (I)\*4 on the Armrests (C)\*1L\*1R.



**8** Finish the installation.

# Instructions For Use



**To raise:**  
While taking your weight off chair, lift lever up.

**To lower:**  
While seated, lift lever up.

# CAUTION:

\* Before using the chair, check to ensure that all bolts are fully tightened.

\* Lubricate all parts and tighten all bolts every 6 months or whenever needed.