

# Drawer Dresser

## Instruction Manual

CAB-4BC



✉ HJ-Customer-Service@outlook.com

☎ (909)637-7665 | (909)637-7593

EST 9:00AM--17:00PM

# 1 Component List

**A** X1



Side Frame

**B** X1



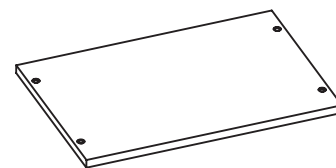
Side Frame

**C** X2



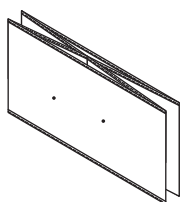
Cross Tube

**D** X1



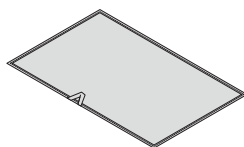
Top Board

**E** X4



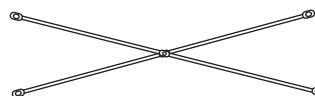
Drawer

**F** X4



Base Board  
for Drawer

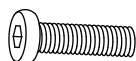
**G** X1



Reinforcement  
Bar

# 2 Supplied Parts and Hardware

**1** X8



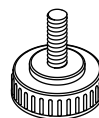
Bolts  
M6×25mm

**2** X4



Bolts  
M6×12mm

**3** X4



Adjusting Foot  
M6×28mm

**4** X4



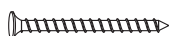
Drawer Handle

**5** X8



Bolts  
M4×10mm

**6** X2



Bolts  
M4×60mm

**7** X2



Expansion Tube

**8** X1



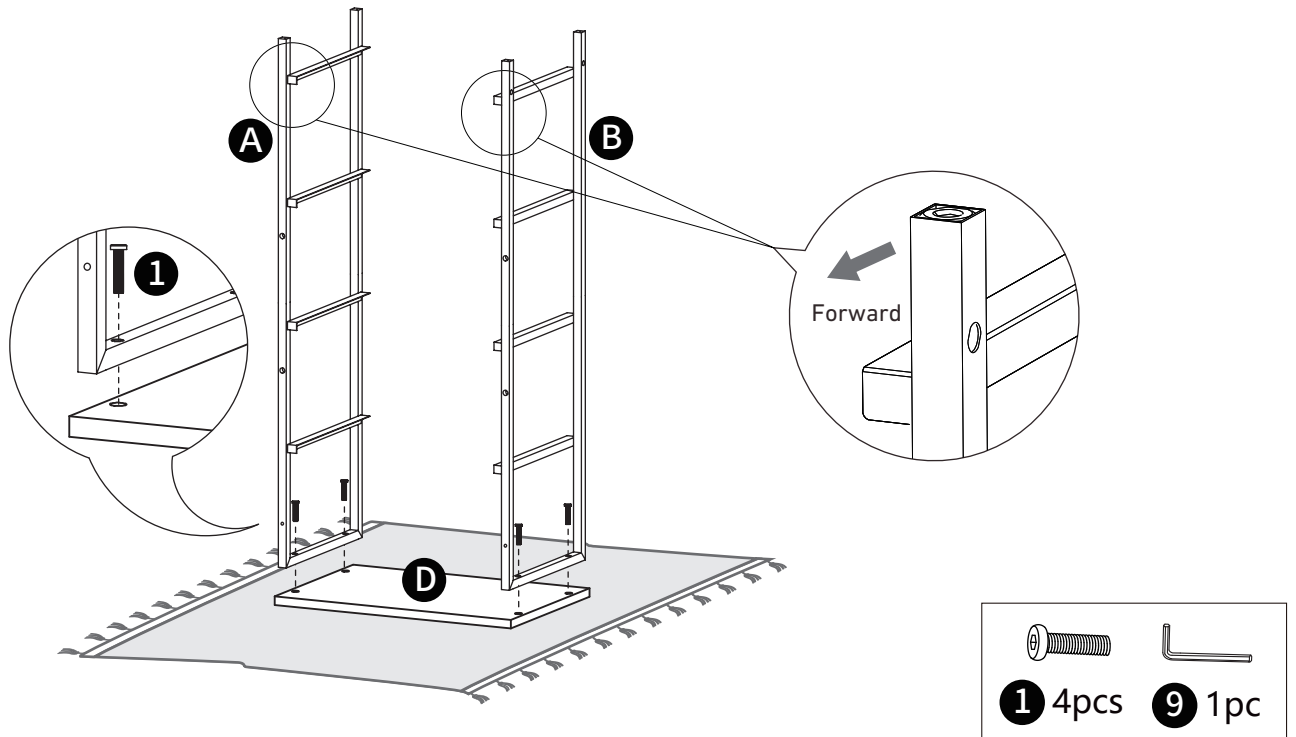
Screwdriver

**9** X1



Wrench  
M4

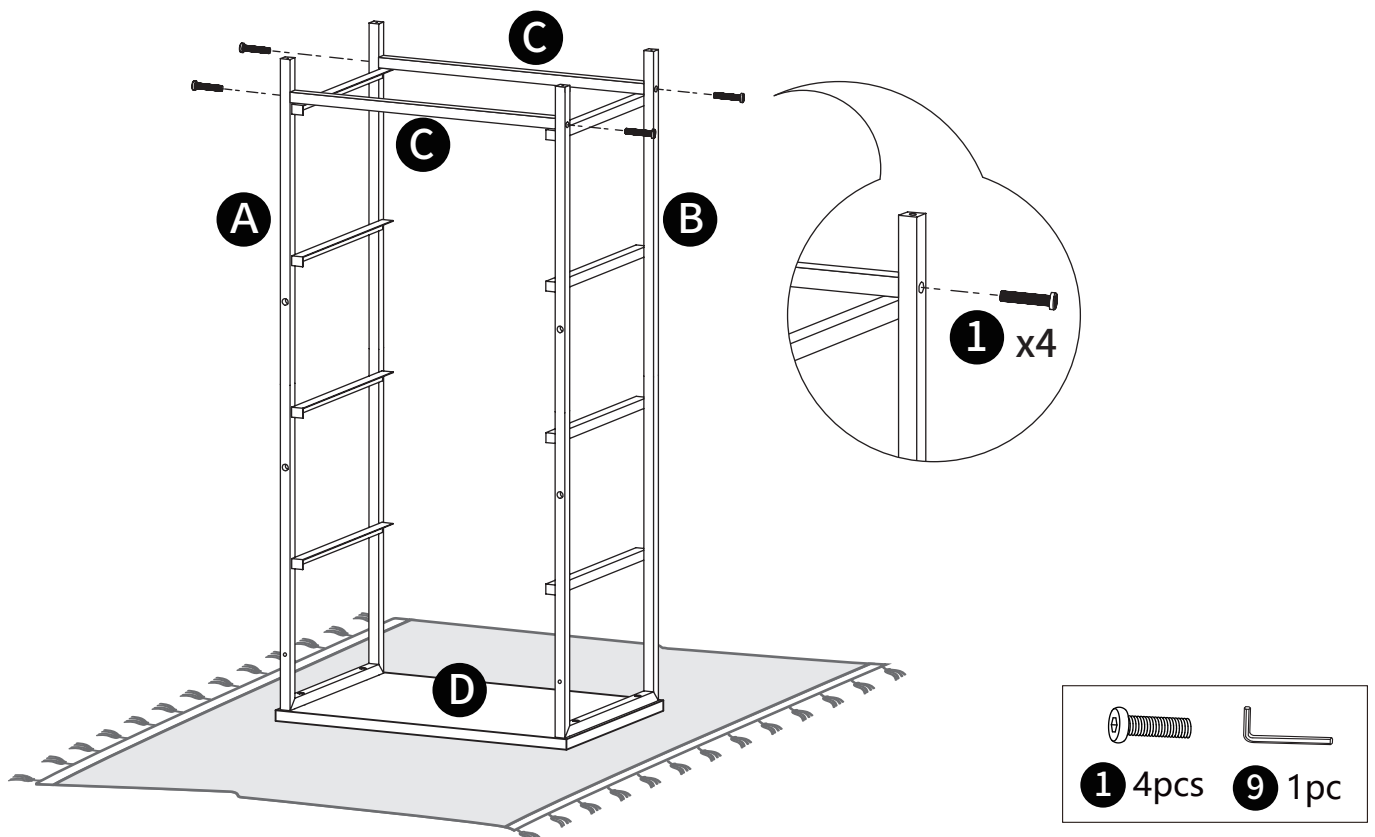
# Step 1



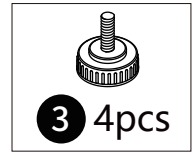
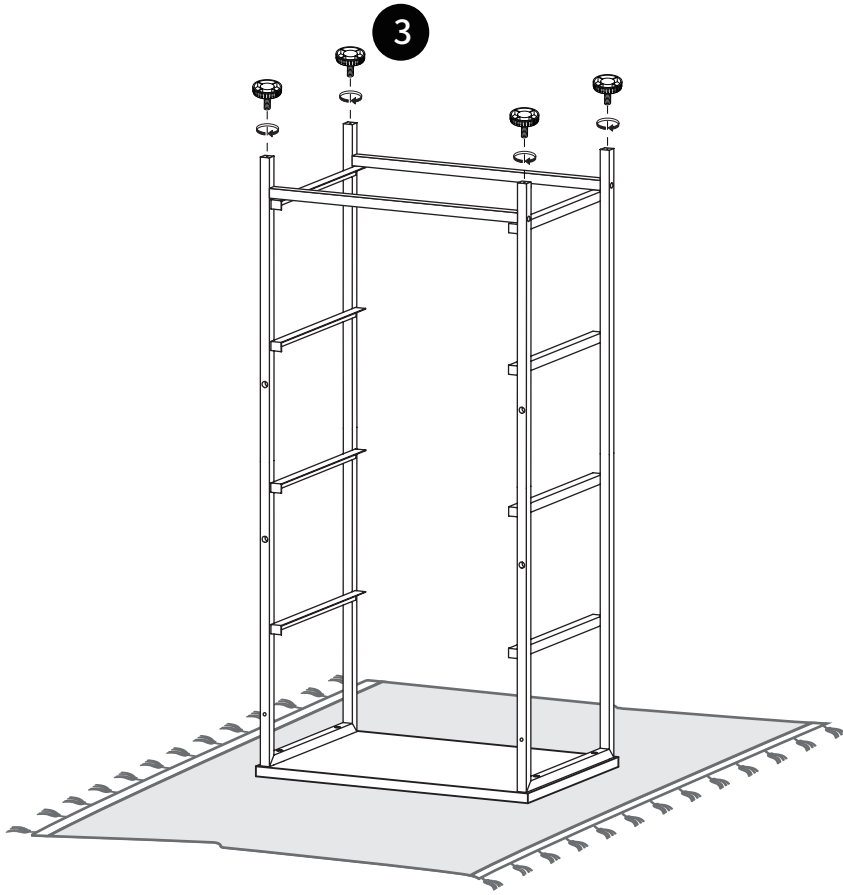
## NOTE:

1. Place a blanket under the top plate to avoid scratches or damage.
2. The side frame (A&B) baffle faces in the same direction, with the baffle facing forward.

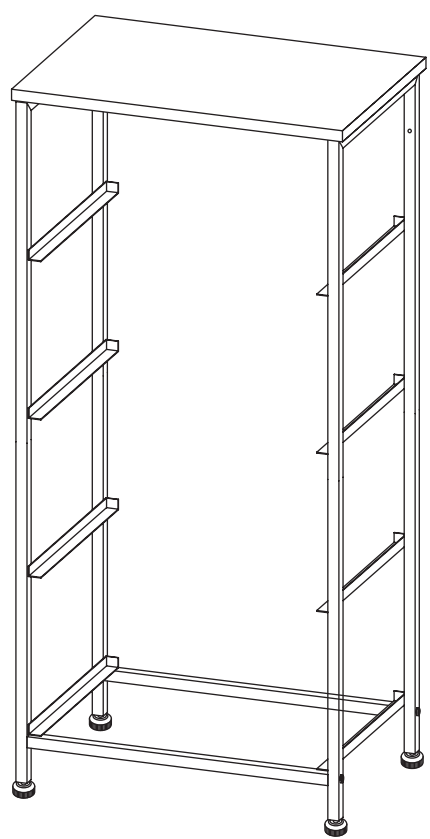
# Step 2



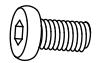
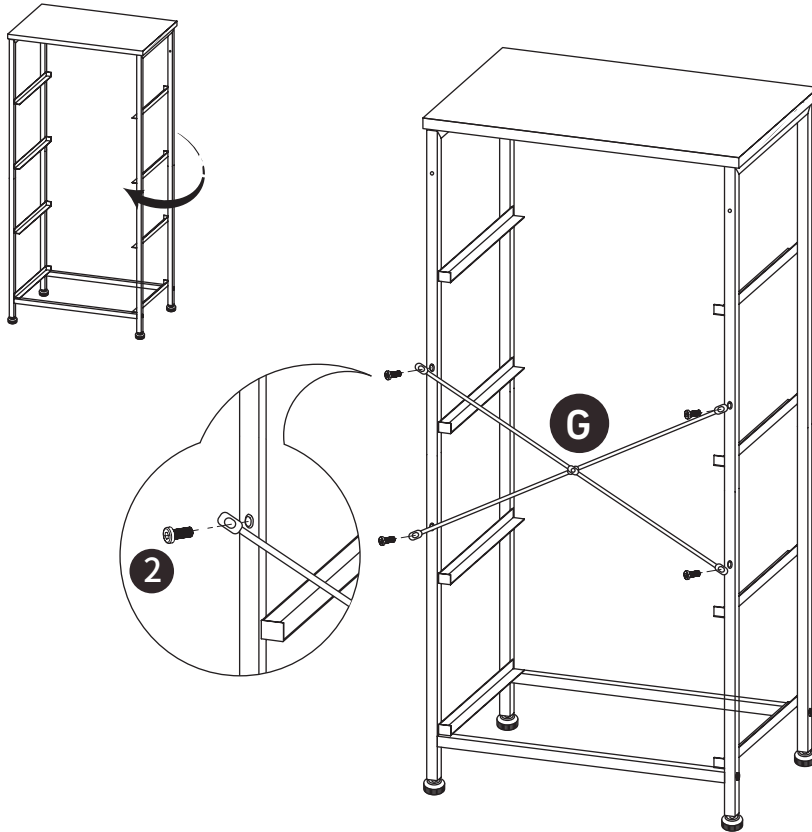
# Step 3



# Step 4

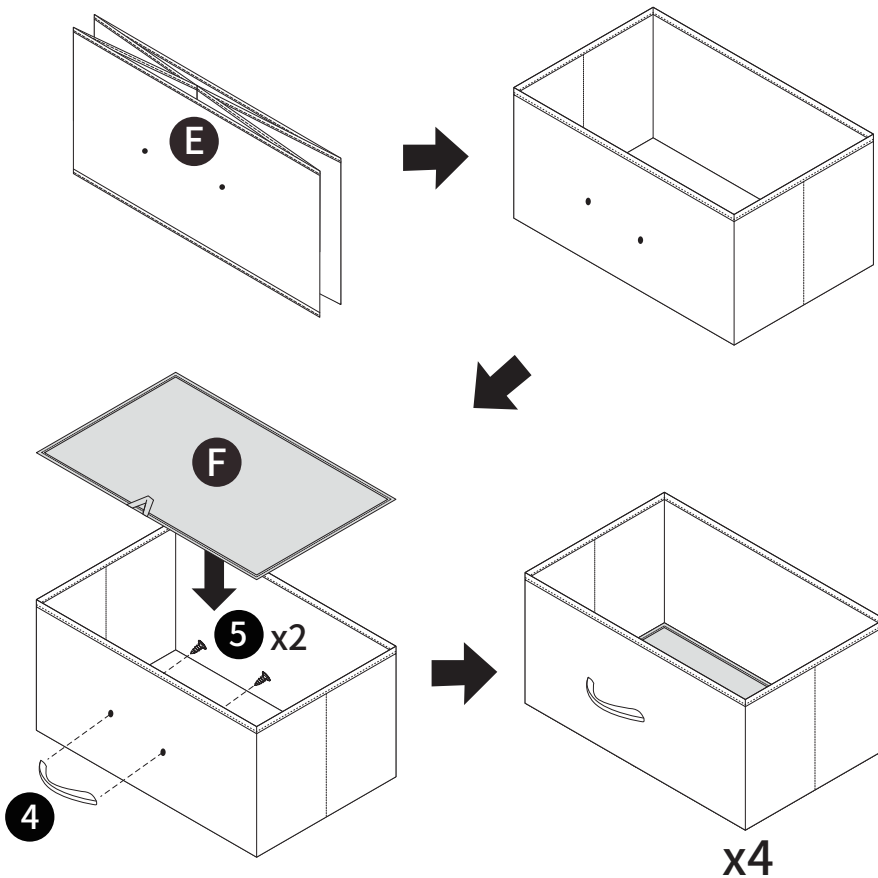


# Step 5



2 4pcs

# Step 6

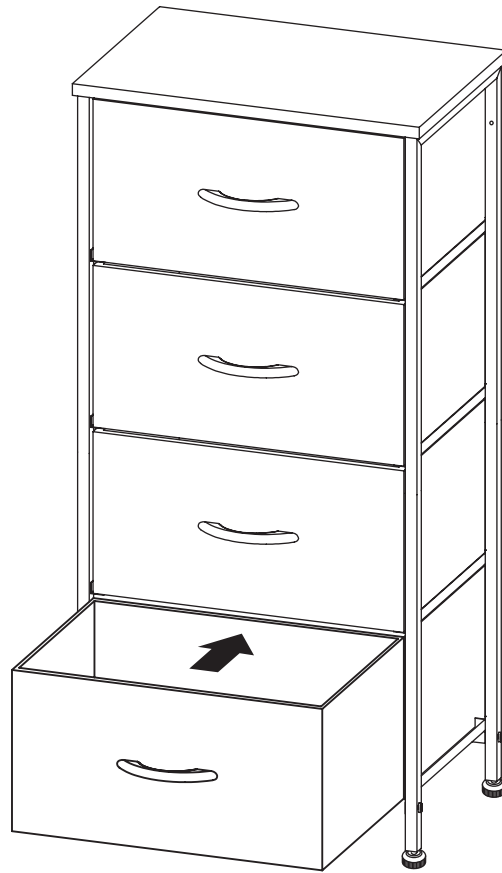


4 4pcs

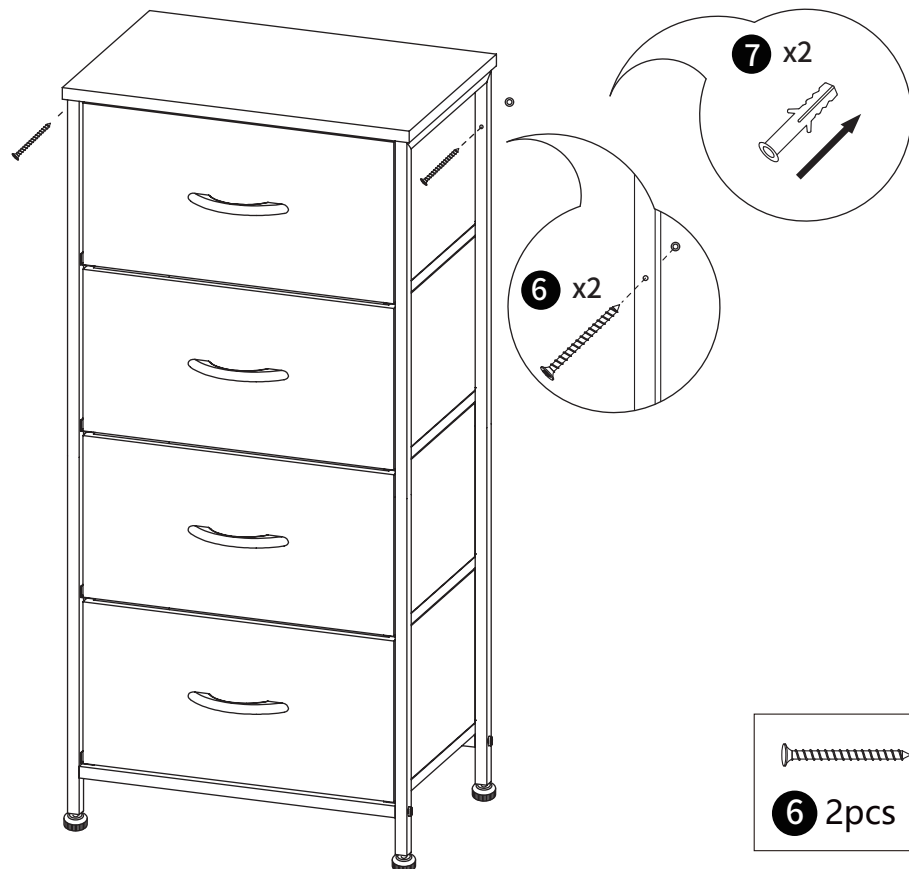


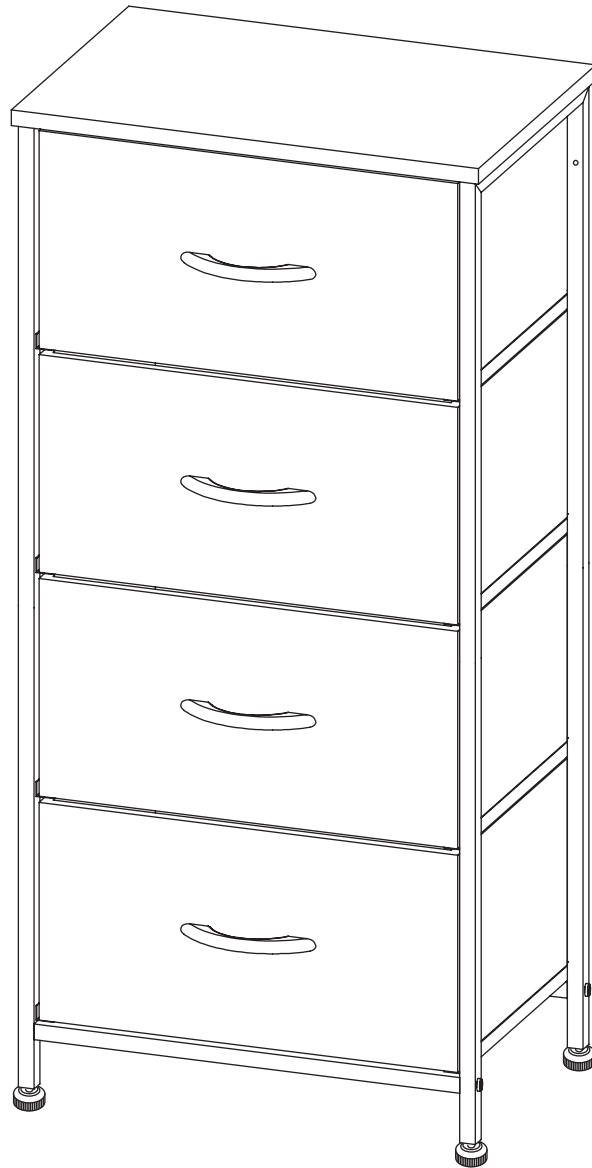
5 8pc

# Step 7



# Step 8





## **Technical Support**

(909)637-7665 | (909)637-7593

## **Other Info**

[HJ-Customer-Service@outlook.com](mailto:HJ-Customer-Service@outlook.com)

Thank you for choosing this product. We strive to provide you with the best quality products and services in the industry. Should you have any issues, please don't hesitate to contact us.