

Drawer Dresser

Instruction Manual

CAB-2BC



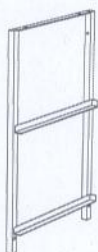
✉ HJ-Customer-Service@outlook.com

☎ (909)637-7665 | (909)637-7593

EST 9:00AM--17:00PM

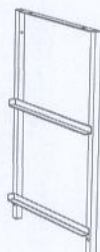
1 Component List

A X1



Side Frame

B X1



Side Frame

C X2



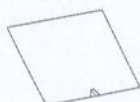
Cross Tube

D X2



Drawer

E X2



Base Board
for Drawer

F X1



Top Board

2 Supplied Parts and Hardware

1 X4



Bolts
M6×25mm

2 X4



Bolts
M6×10mm

3 X2



Drawer Handle

4 X4



Bolts
M4×12mm

5 X4



Adjusting Foot
M6×14mm

6 X1



Wrench

7 X1



Wrench

8 X2



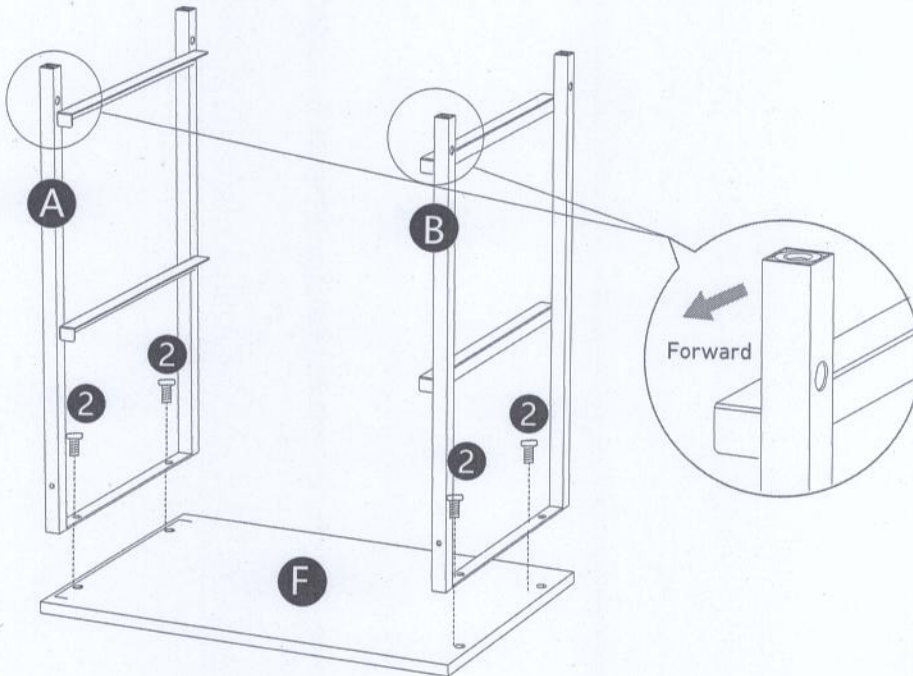
Expansion Tube

9 X2



Bolts

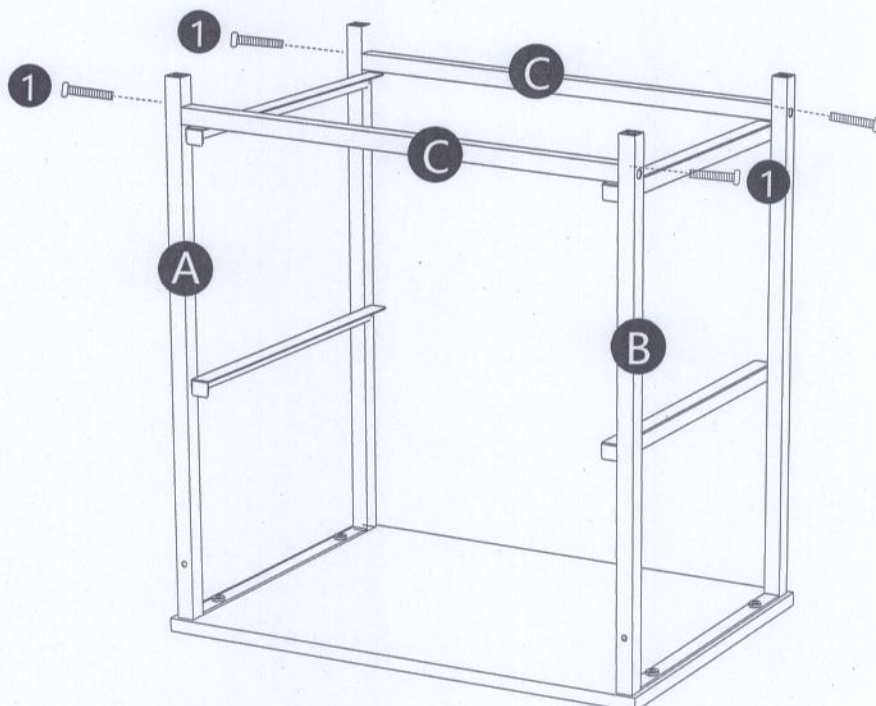
Step 1



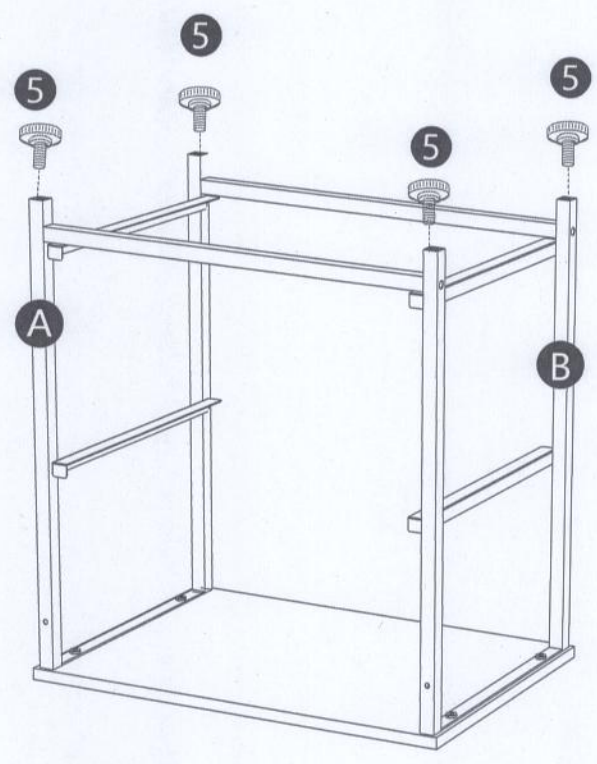
NOTE:

1. Place a blanket under the top plate to avoid scratches or damage.
2. The side frame (A&B) baffle faces in the same direction, with the baffle facing forward.

Step 2

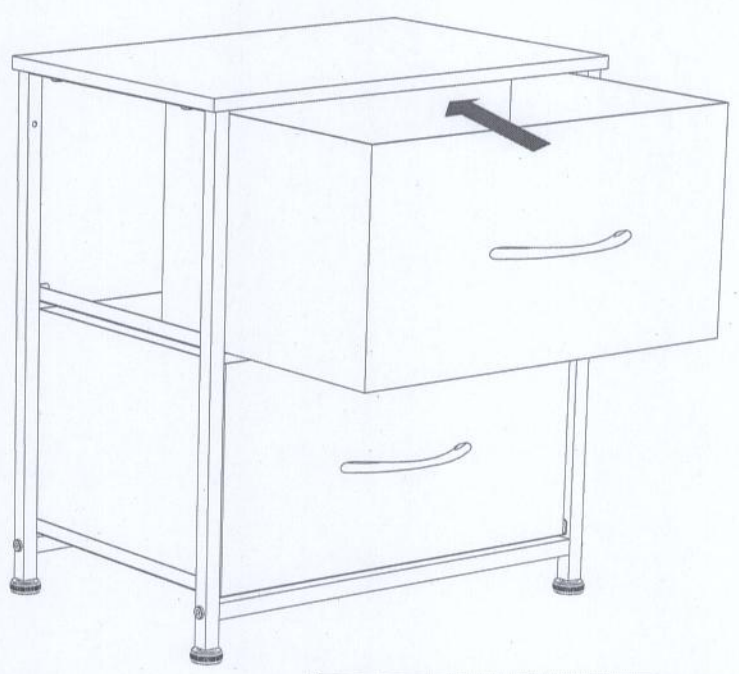
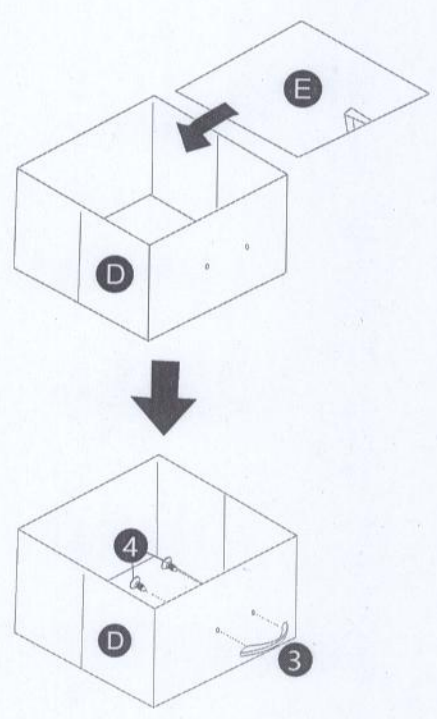


Step 3



5 4pcs

Step 4

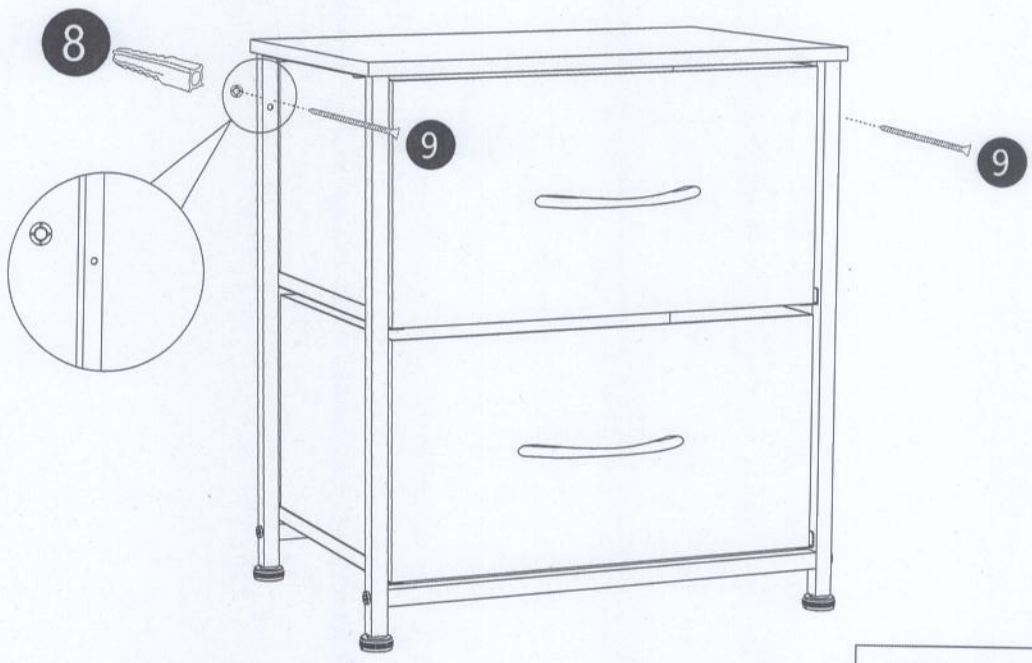




7 1pc

3 2pcs

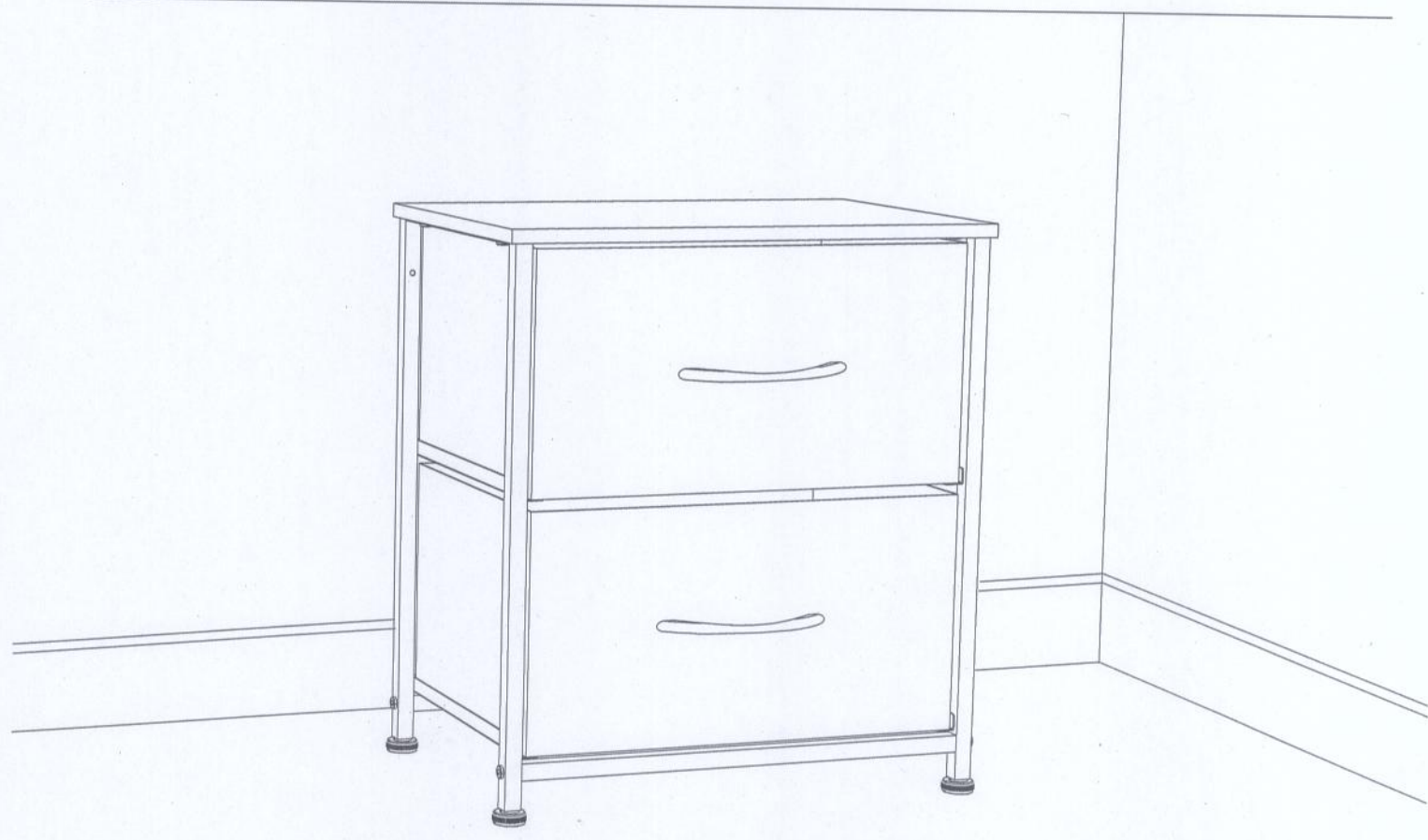
4 4pcs

Step 5



	
8 2pcs	9 2pcs

Step 6





有限公司

Technical Support

(909)637-7665 | (909)637-7593

Other Info

HJ-Customer-Service@outlook.com

Thank you for choosing this product. We strive to provide you with the best quality products and services in the industry. Should you have any issues, please don't hesitate to contact us.