

# Drawer Dresser

## Instruction Manual

CAB-10BC



✉ [HJ-Customer-Service@outlook.com](mailto:HJ-Customer-Service@outlook.com)

☎ (909)637-7665 | (909)637-7593

EST 9:00AM--17:00PM

# 1 Component List

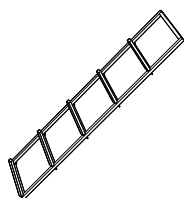
---

**A** X1



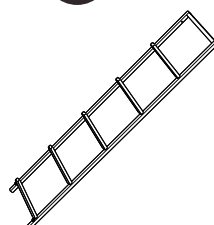
Side Frame

**B** X1



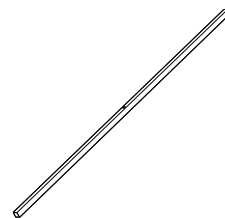
Middle Frame

**C** X1



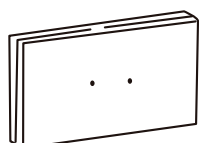
Side Frame

**D** X2



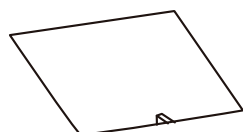
Cross Tube

**E** X10



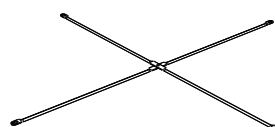
Drawer

**F** X10



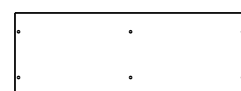
Base Board for  
Drawer

**G** X1



Reinforcement Bar

**H** X1

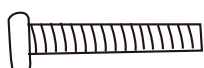


Top Board

# 2 Supplied Parts and Hardware

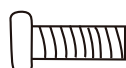
---

**1** X12



Bolts  
M6×25mm

**2** X4



Bolts  
M5×10mm

**3** X10



Drawer Handle

**4** X4



Adjusting Foot  
M6×14mm

**5** X1



Wrench  
M4

**6** X2



Expansion Tube

**7** X2



Bolts  
M4×60mm

**8** X1

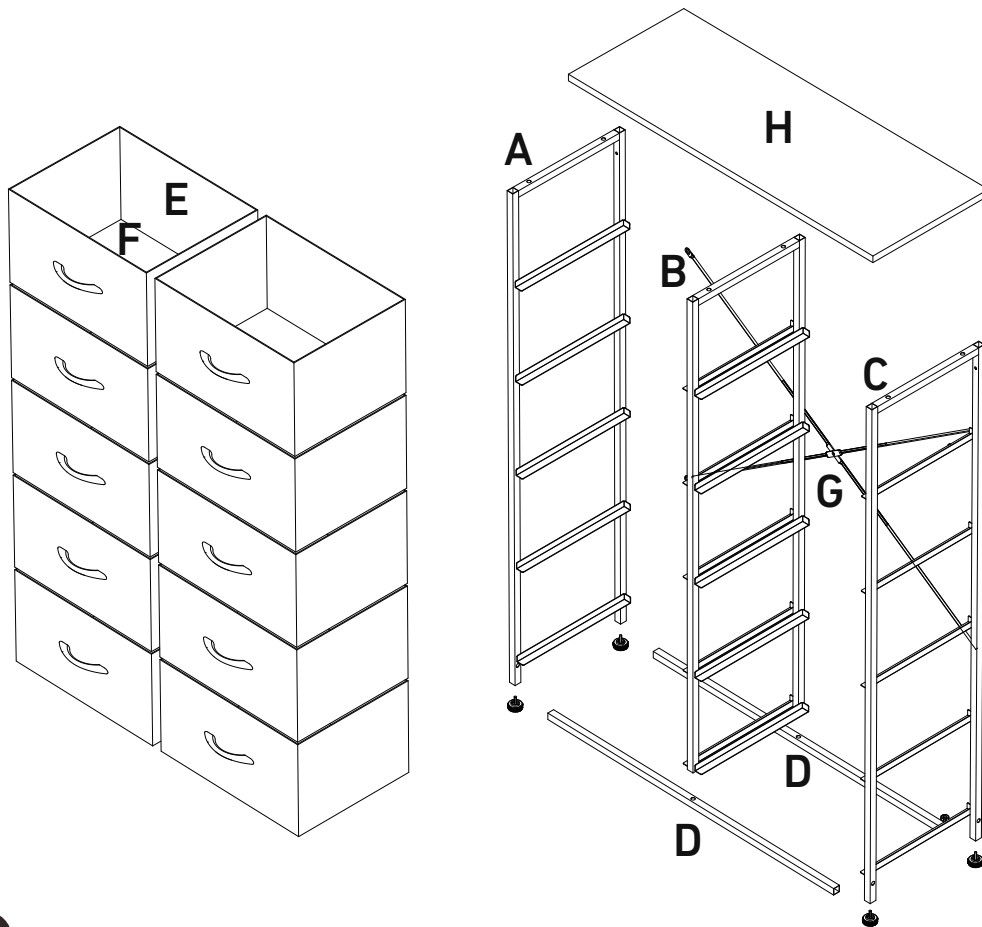


Wrench  
M4

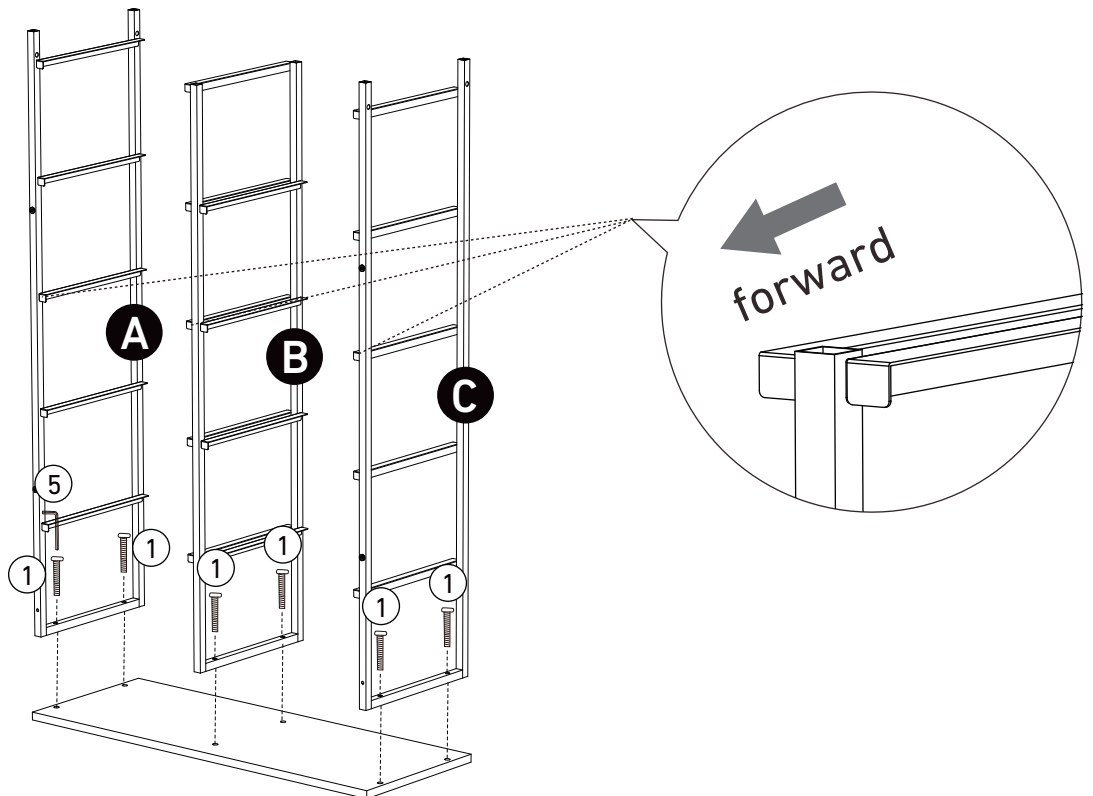
**9** X20



Bolts  
M4×12mm



## Step 1

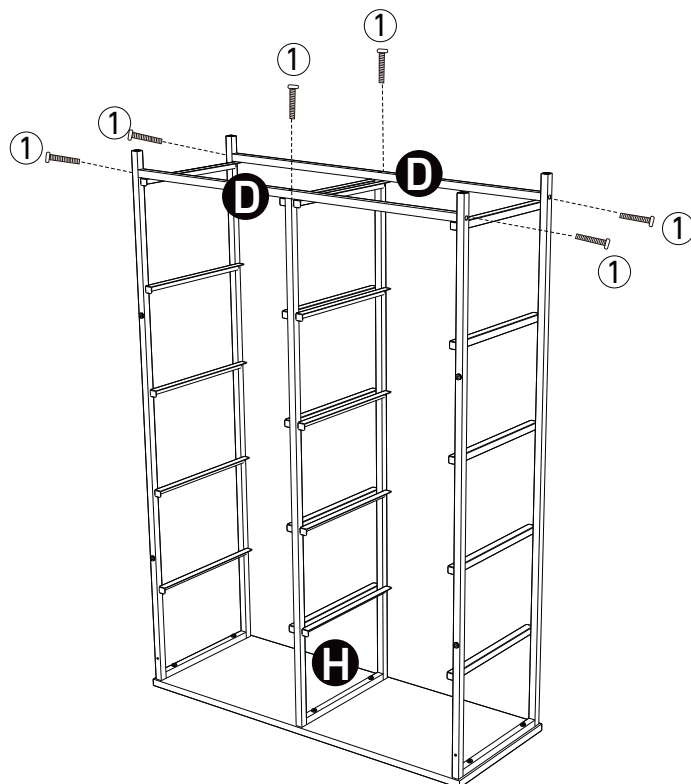


As shown in the figure, use bolts **(1)\*6** and a wrench **(5)** to secure the side frame and intermediate frame **(A&B&C)** to the back of the top plate **(H)**.

### NOTE:

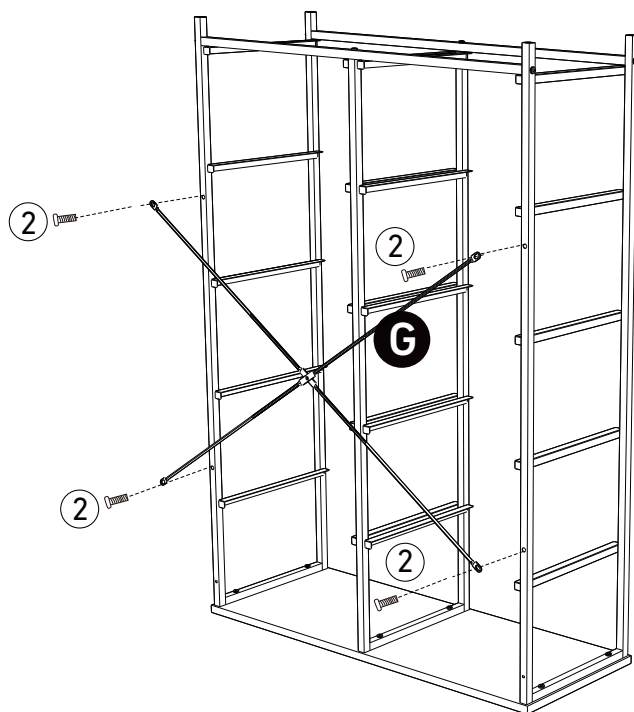
1. Place a blanket under the top plate to avoid scratches or damage.
2. The side frame **(A&B&C)** faces in the same direction, with the holes facing forward.

## Step 2



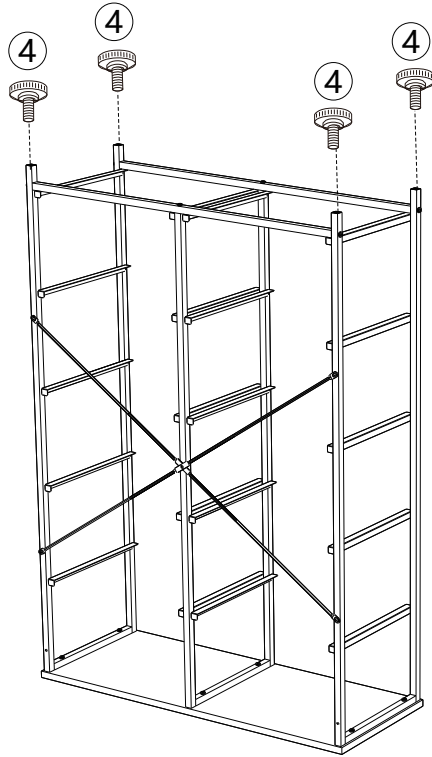
As shown in the figure, install the Cross tube **(D)** \* 2 onto the frame **(A&B&C)** using bolts **(1)** \* 6 and a wrench **(5)**.

## Step 3



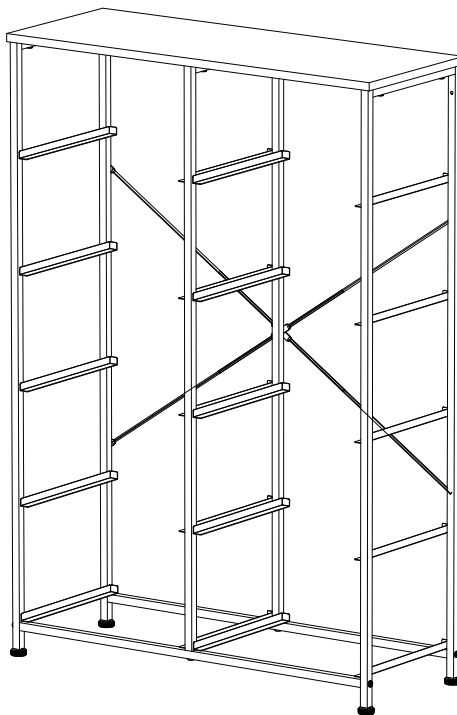
As shown in the figure, use bolts **(2)** \* 4 and a wrench **(5)** to fix the reinforcement bars **(G)** \* 1 to the frame **(A&C)**.

## Step 4



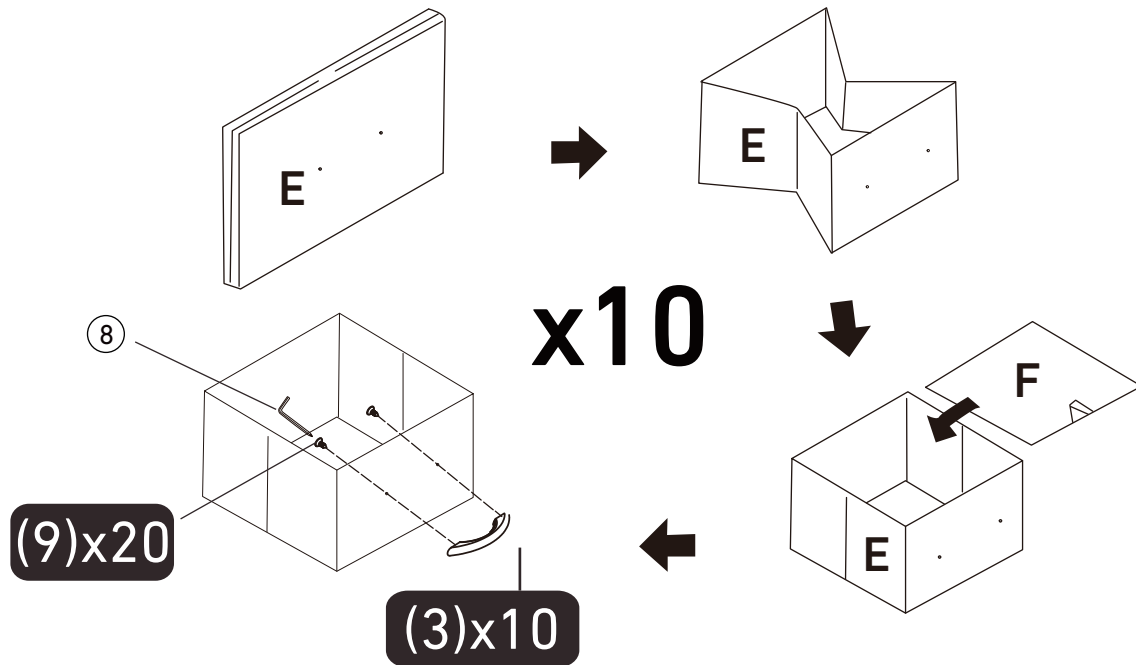
Install the adjustment feet (4) \* 4 onto the side frame (A&C) as shown in the figure.

## Step 5



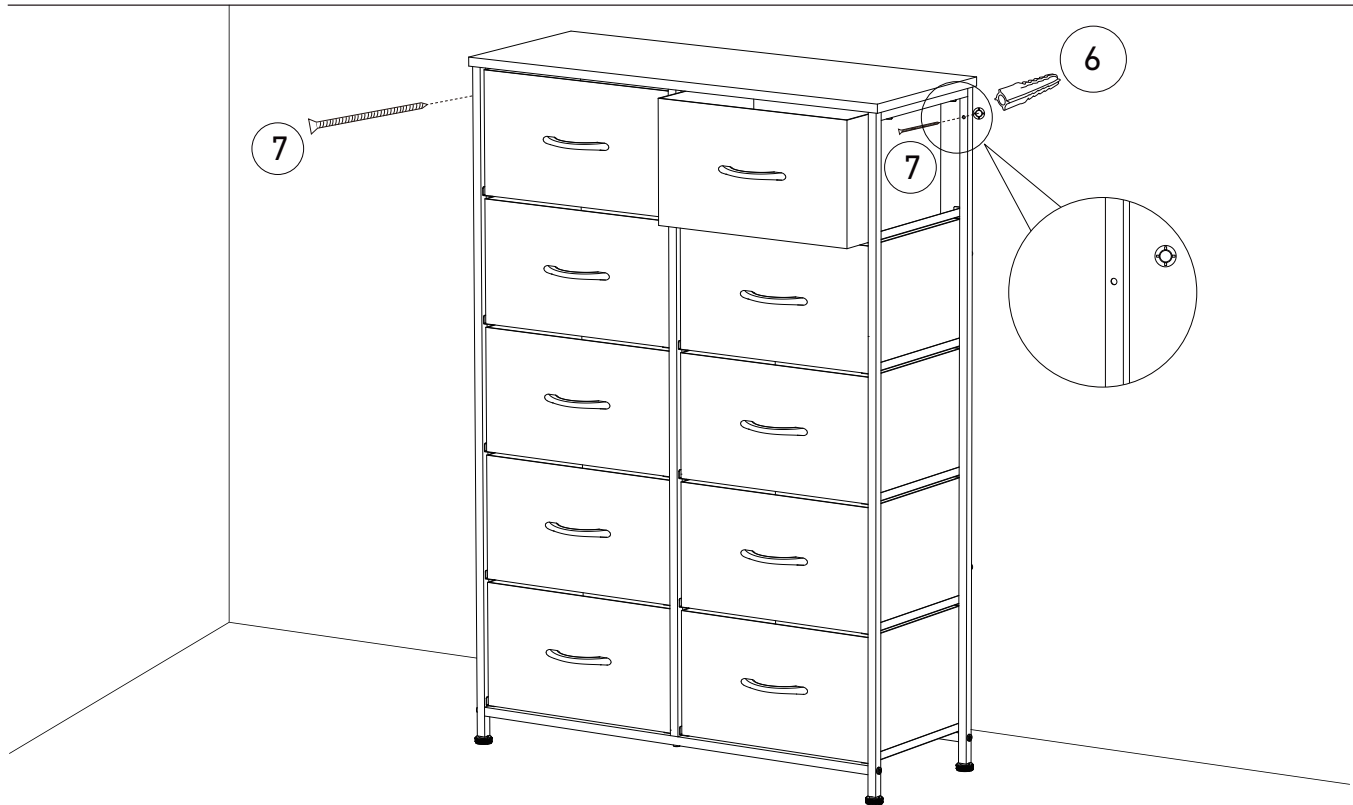
As shown in the picture, flip the cabinet over with the back facing back.

## Step 6



As shown in the figure, place the bottom plate **(F)** of the drawer into the expansion drawer **(E)** and install the drawer handle **(3)** with bolts **(9) \* 2**. Install ten drawers in the same way.

## Step 7



As shown in the figure, place the installed drawers **(E) \* 6** into the frame in sequence. If you need to fix the drawer trimmer to the wall, use an electric drill to drill holes on the wall, then insert an expansion tube **(6) \* 2**, and secure the drawer trimmer with bolts **(7) \* 2**.



## Technical Support

(909)637-7665 | (909)637-7593

## Other Info

HJ-Customer-Service@outlook.com



Thank you for choosing this product. We strive to provide you with the best quality products and services in the industry. Should you have any issues, please don't hesitate to contact us.

<https://hlinstallationvideos.s3.amazonaws.com/CAB-10BC++Drawer+Dresser.mp4>