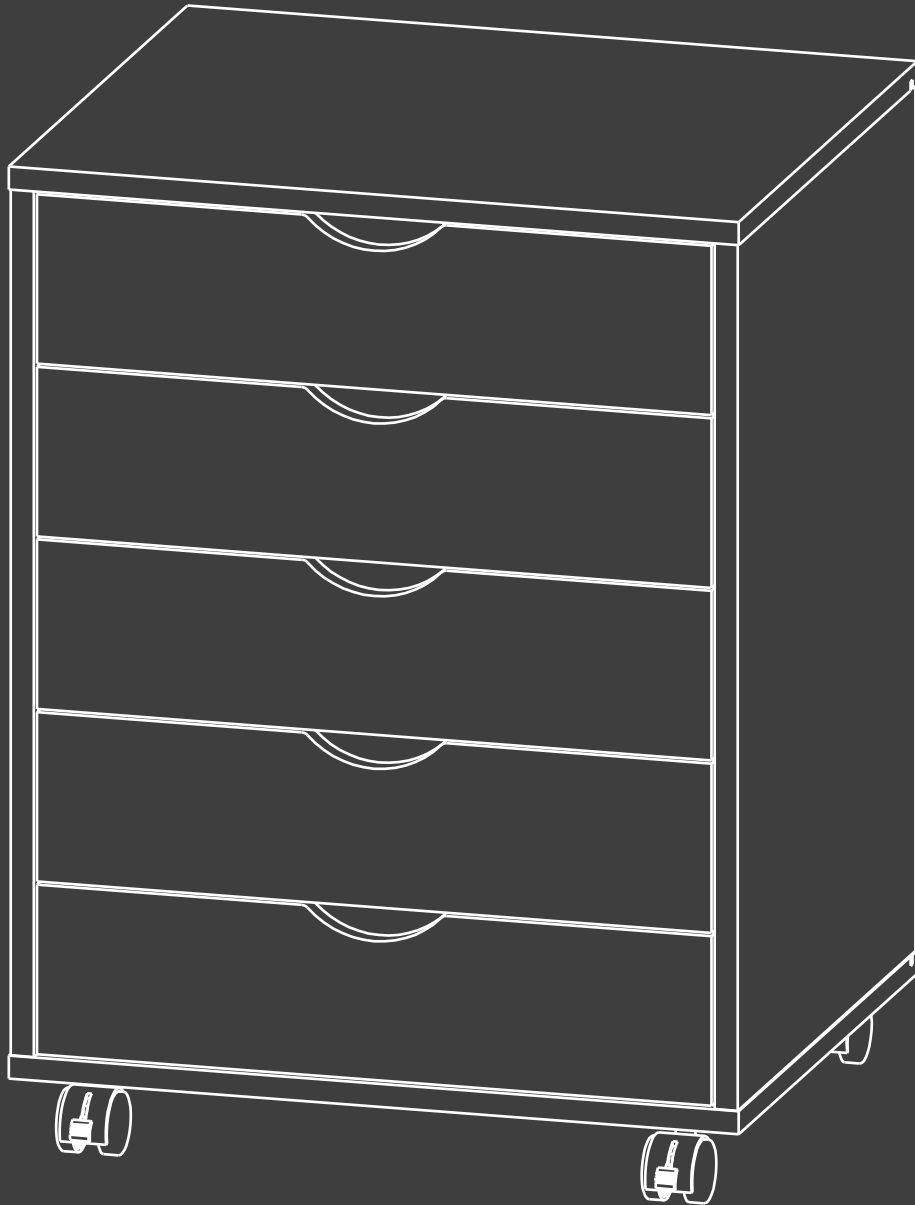


# Drawer Storage Cabinet

## Instruction Manual

5CHDG-2130

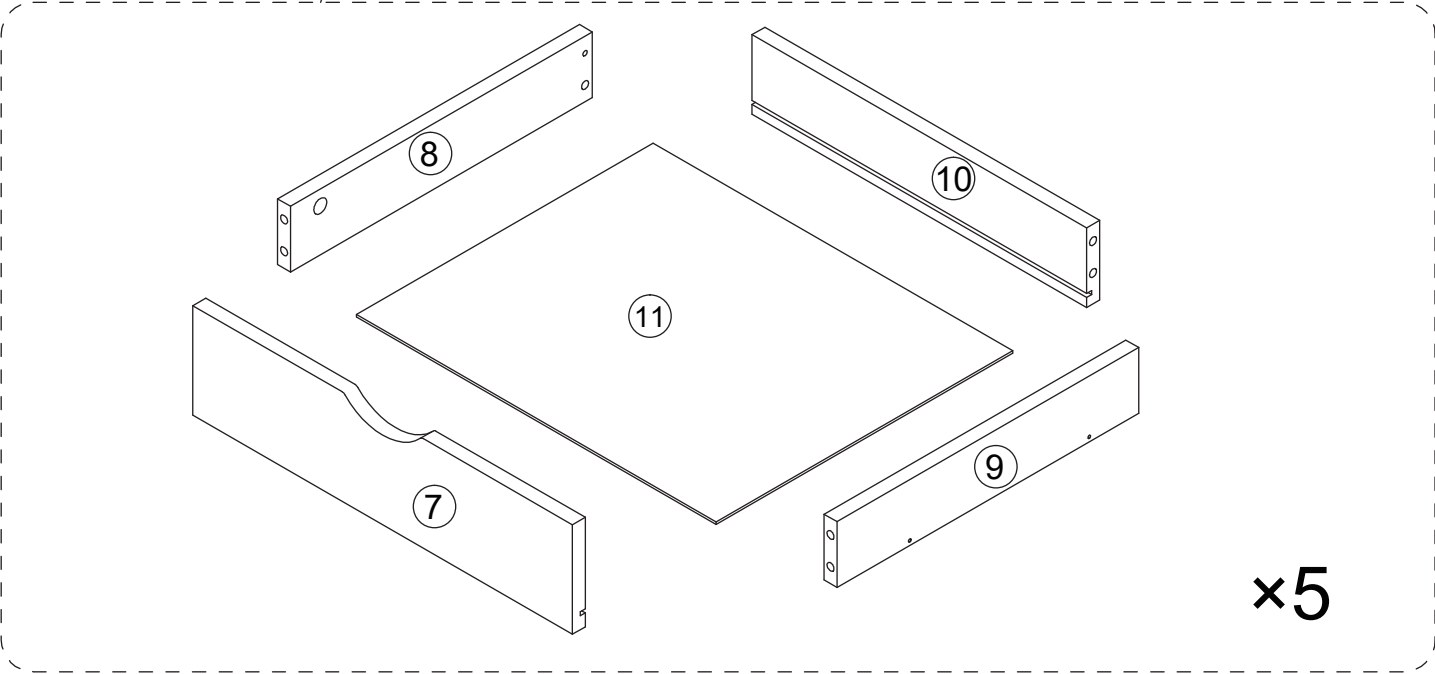
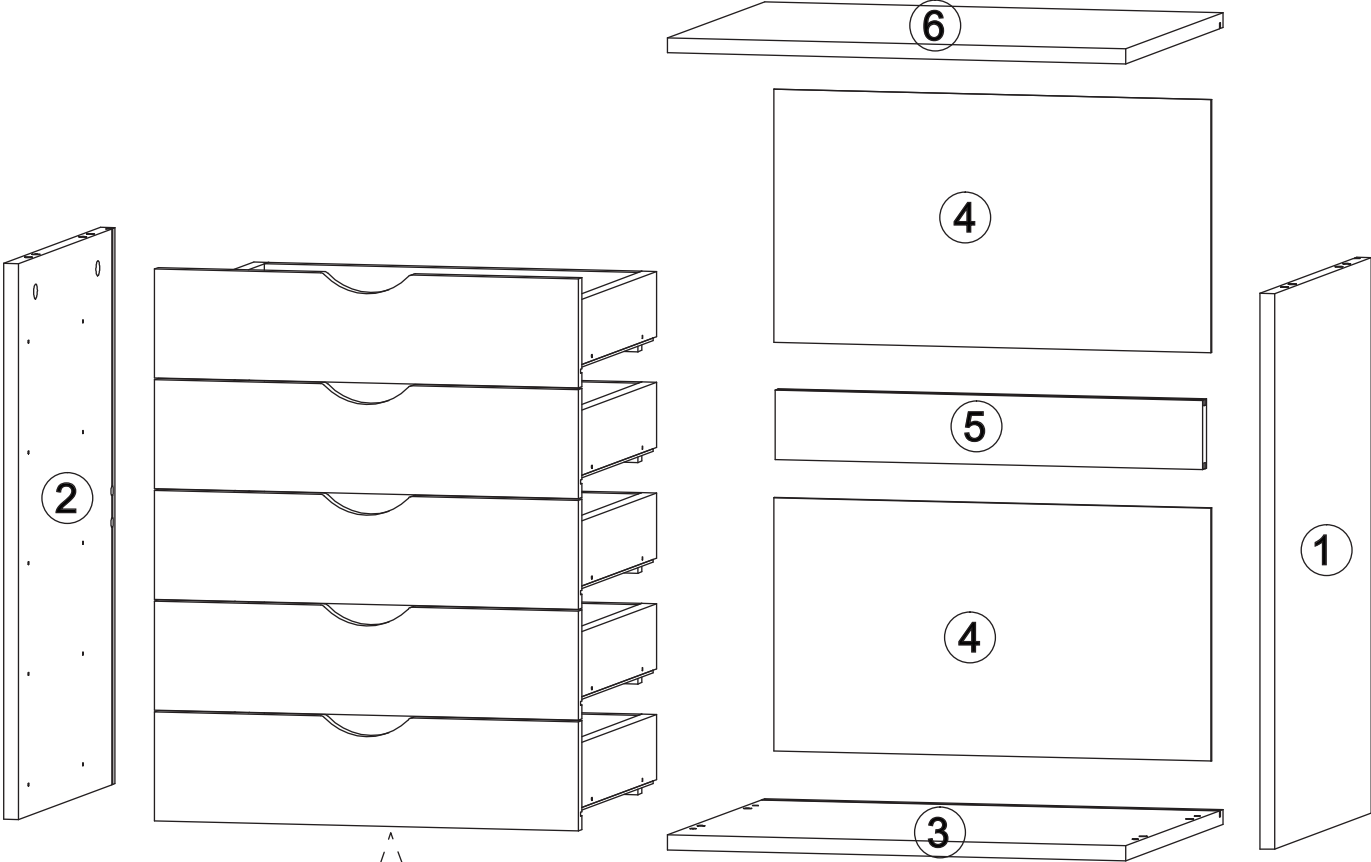


 EST 9:00AM--17:00PM

 [HJ-Customer-Service@outlook.com](mailto:HJ-Customer-Service@outlook.com)

 (909)637-7665 | (909)637-7593

# Exploded Drawing



# Package List

**A** X28



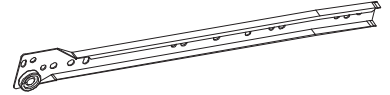
Dowel

**B** X28



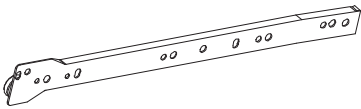
Wooden Dowel

**CL** X5



Slide Rail

**CR** X5



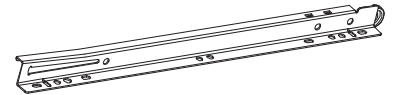
Slide Rail

**DL** X5



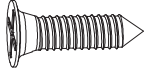
Slide Rail

**DR** X5



Slide Rail

**E** X64  
M4X14



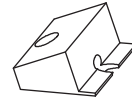
Screws

**F** X10



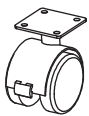
Cover-up Sticker

**G** X8



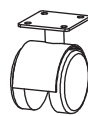
Buckle

**H** X2



Lockable Casters

**I** X2



Casters

**J** X4



Screws

**K** X1

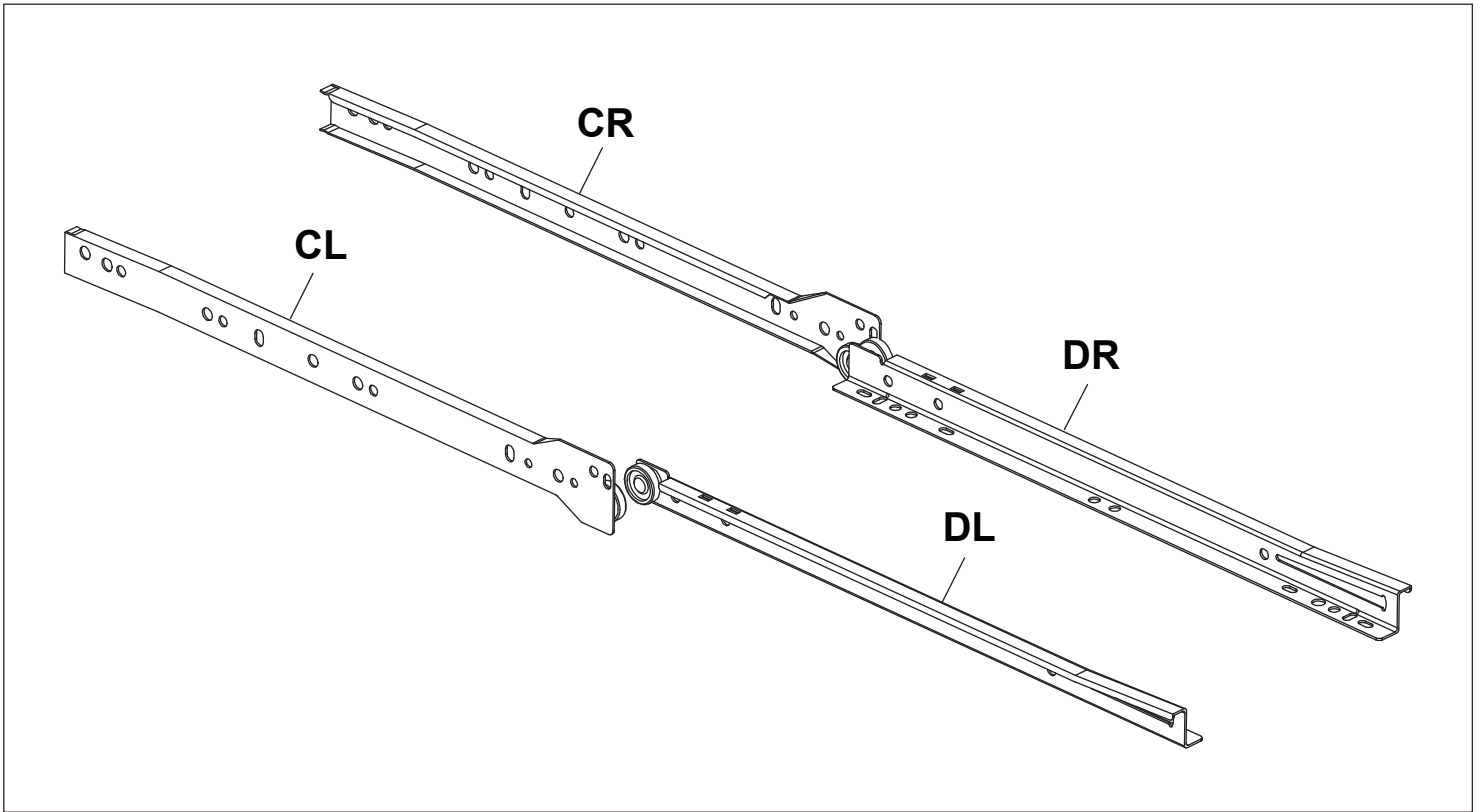


Screwdriver

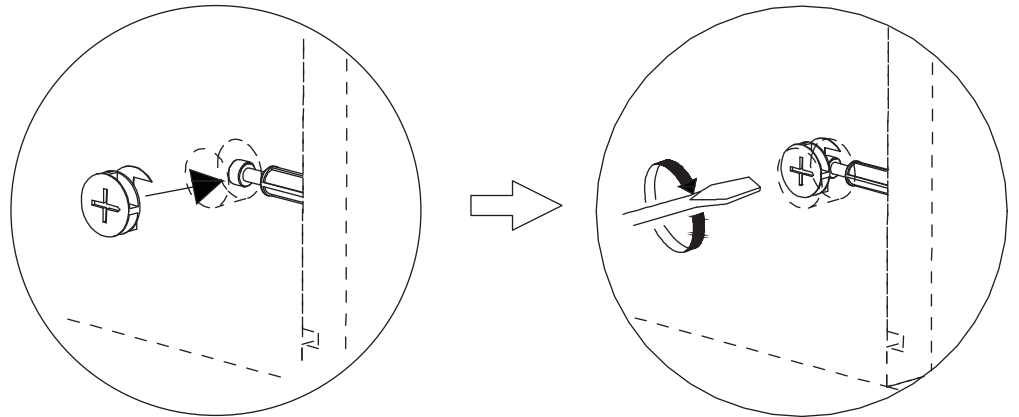
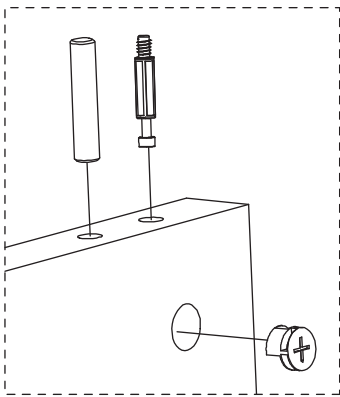
**L** X28



Eccentric Wheel



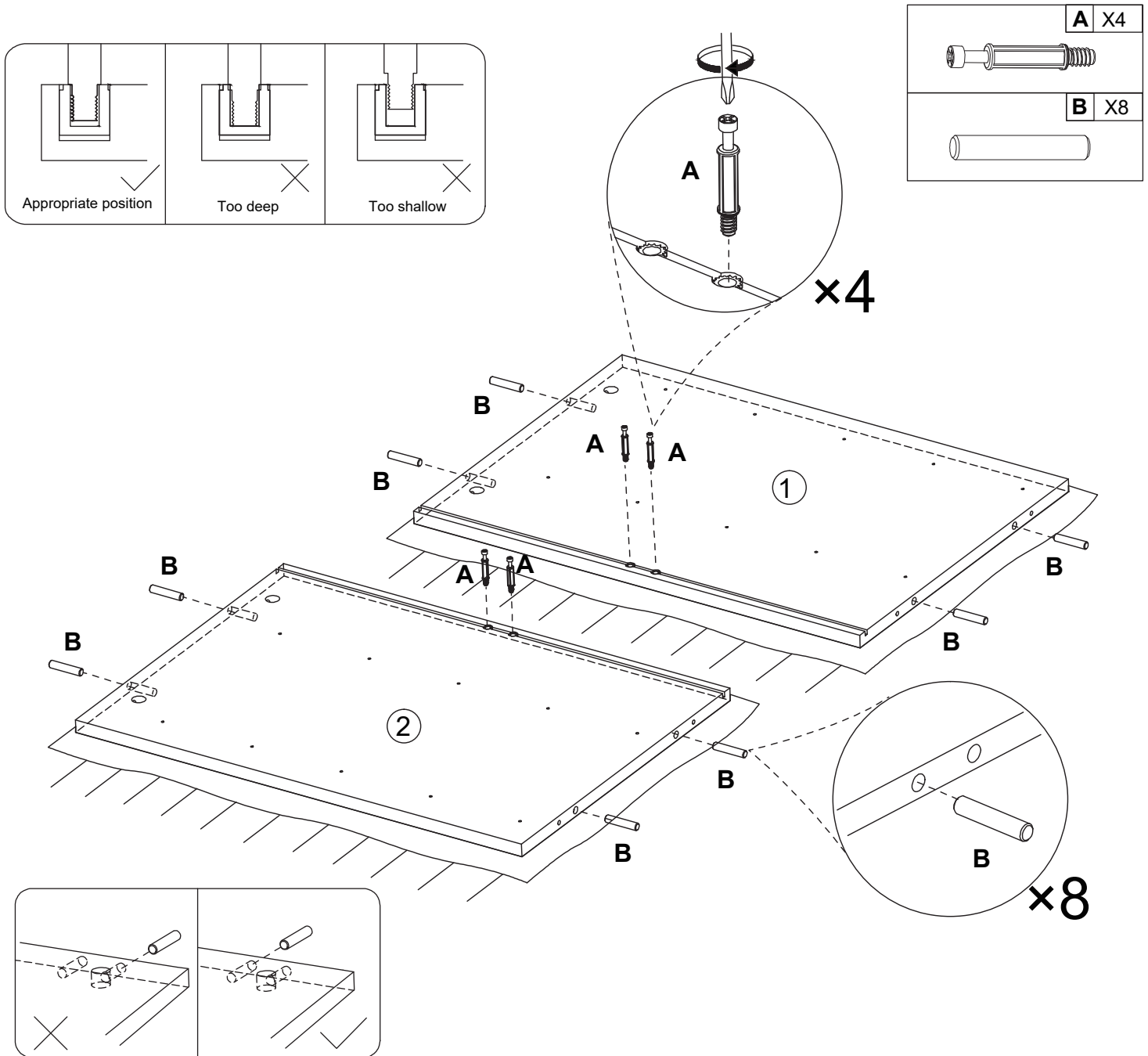
## Minifix Position



### TIPS:

As shown, make sure each part is in the correct position. Make sure the gap of the Eccentric Wheel is aligned with the Dowel, and then tighten it completely.

# Step 1

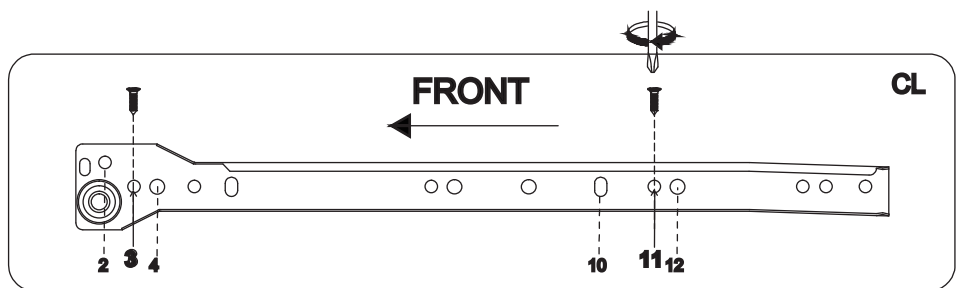
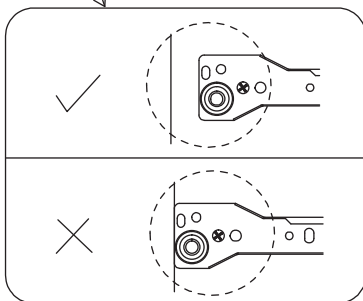
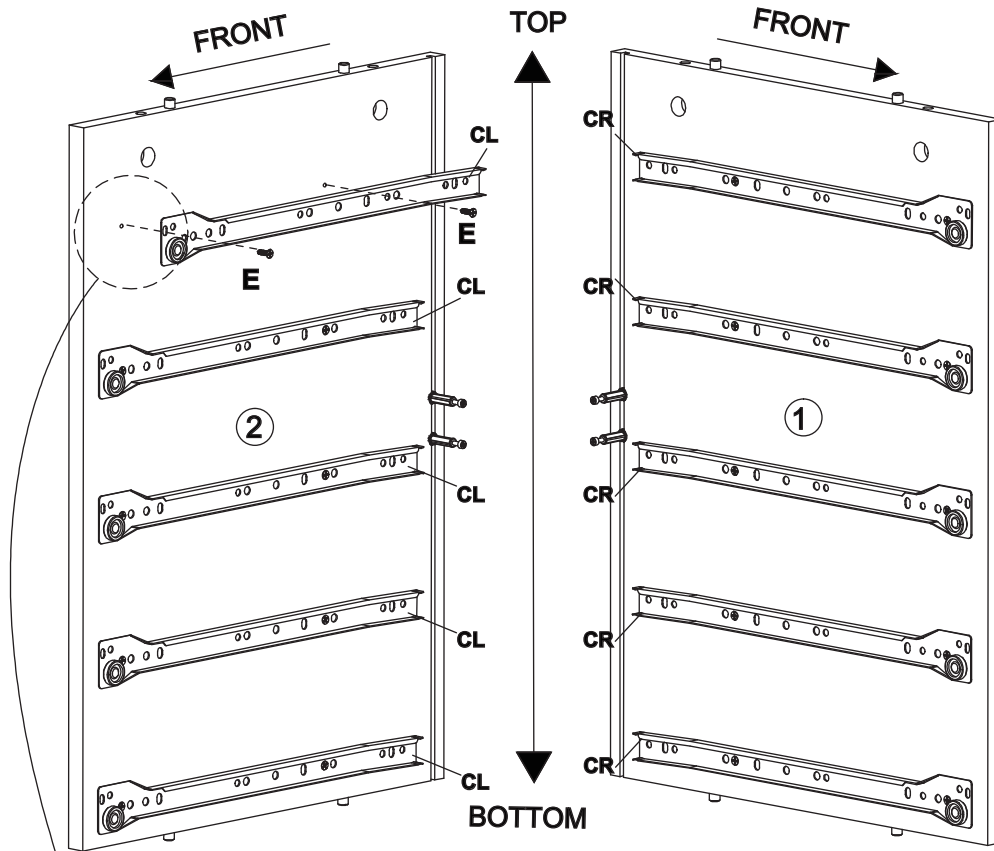
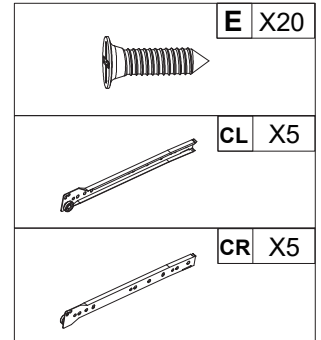
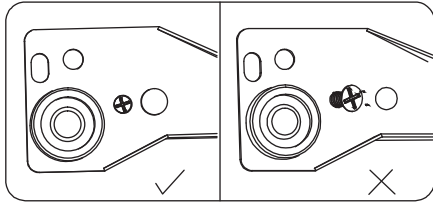


Fix Dowel **(A)\*4** to the Boards **(1&2)** . And attach Wooden Dowel **(B)\*8** to the Boards **(1&2)** as shown.

## Note:

1. Put a blanket under the Board to avoid scratches or damage.
2. Please do not screw Dowel too deep or too shallow.
3. Make sure the Wooden Dowel is installed in the correct position.

# Step 2

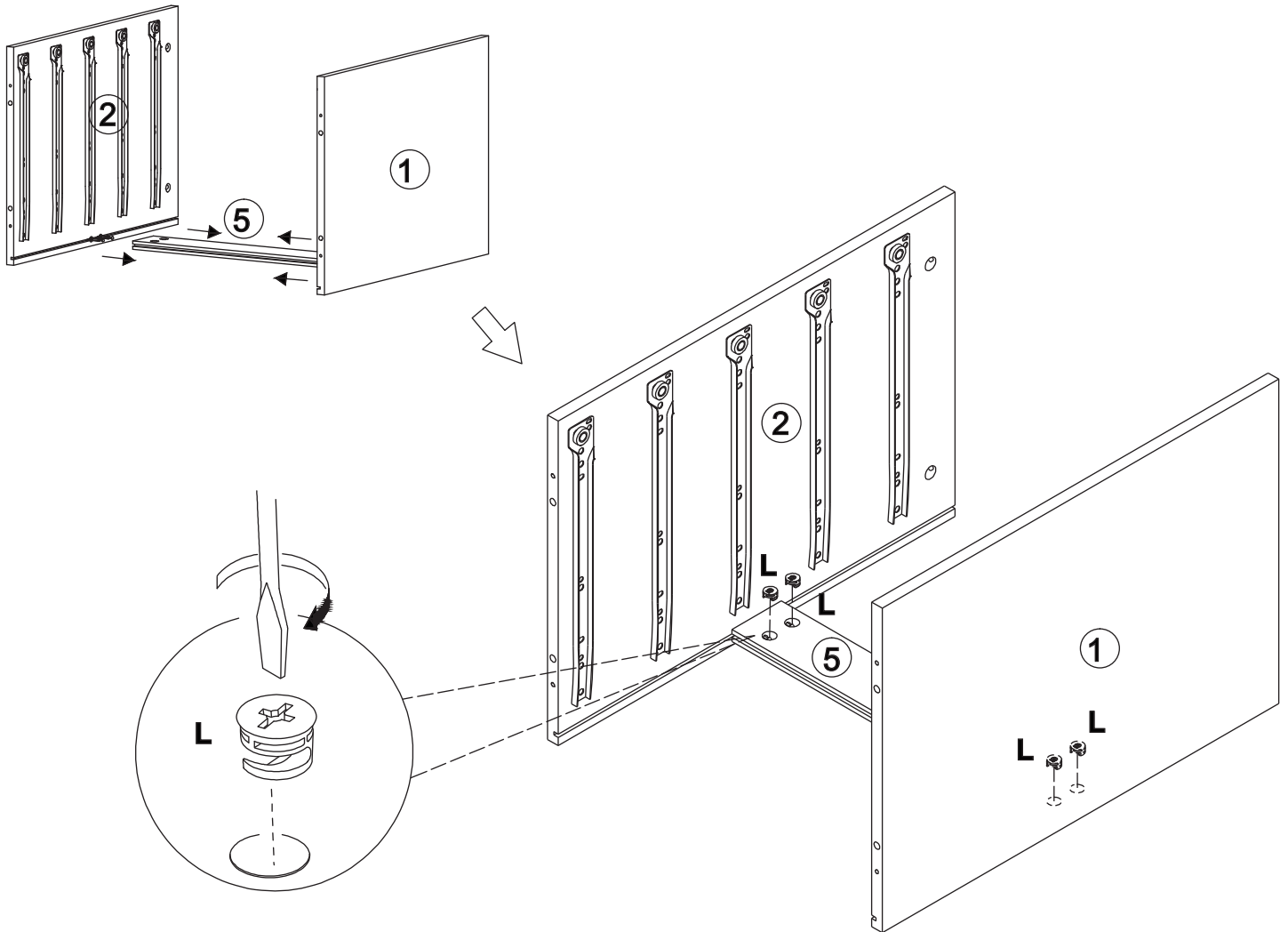
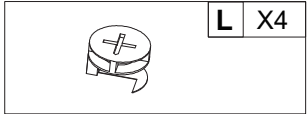


Attach Slide Rail (**CL**)\*5 to the Board (**2**), and Slide Rail (**CR**)\*5 to the Board (**1**) with Screws (**E**)\*20.

## Note:

1. As shown, make sure the Board and Slide Rail are oriented correctly.
2. Install the Screws in holes #3 and #11 in this step.
3. When installing, please make sure the Screws are flattened, not crooked. Otherwise the drawers will not be installed perfectly.

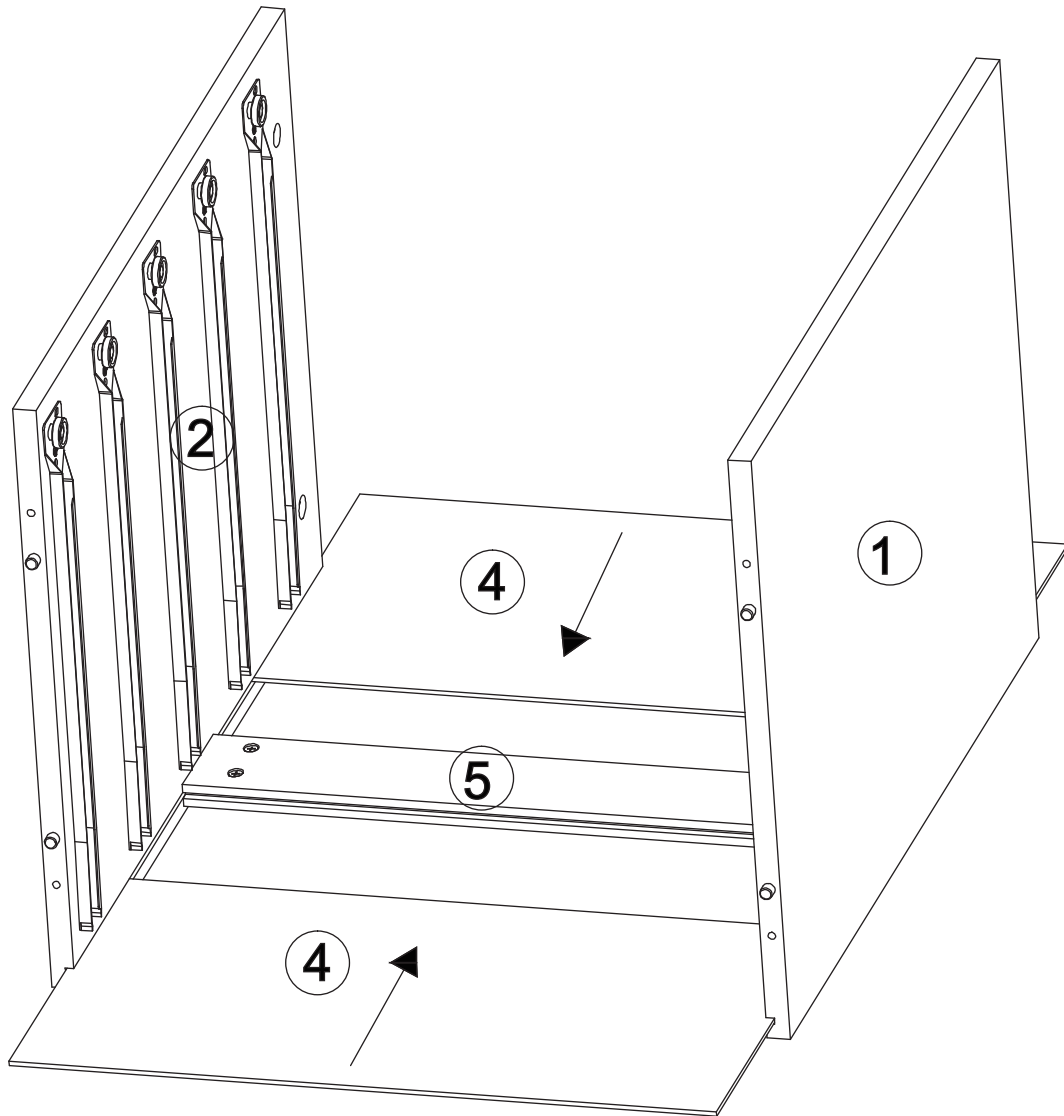
# Step 3



According to the Board position as shown, attach Boards **(1&2)** to the Board **(5)** with Eccentric Wheel **(L)\*4**.

# Step 4

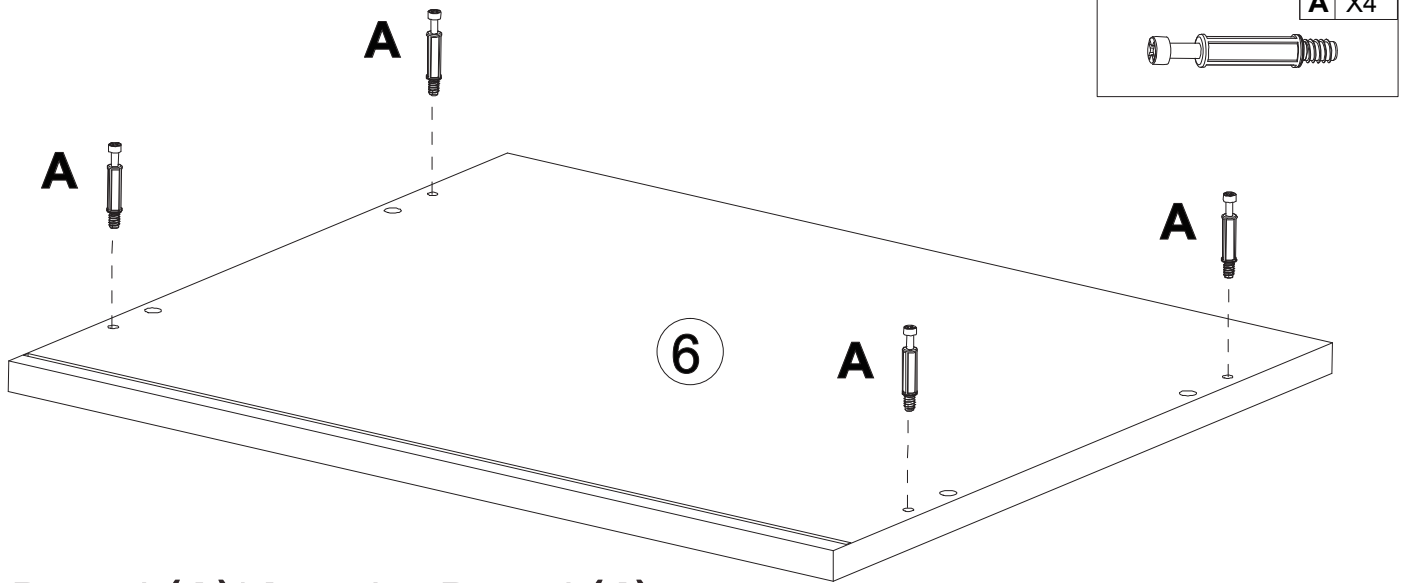
---



Insert the Boards **(4)\*2** into the grooves of the Boards **(1&2&5)**.

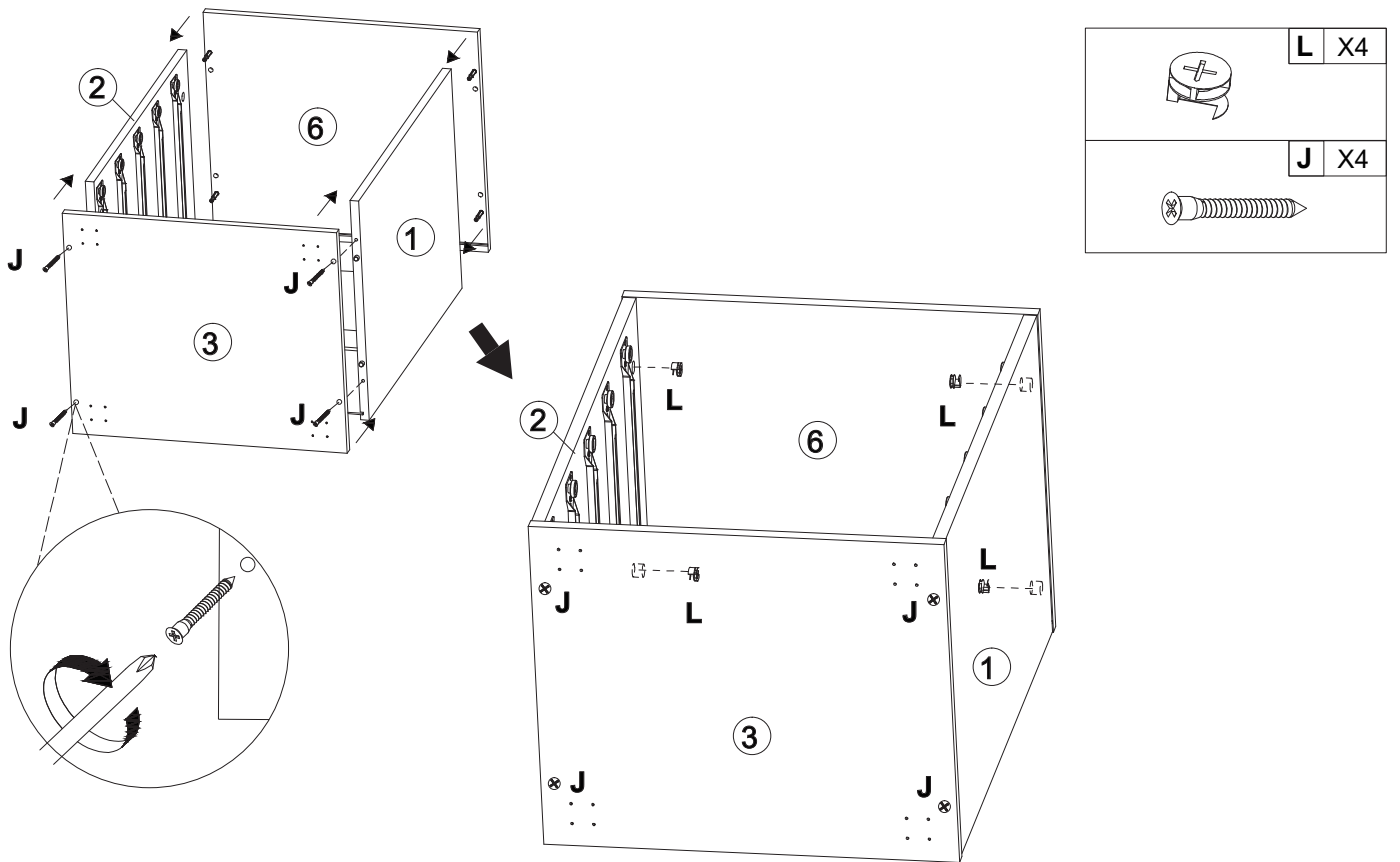


## Step 5



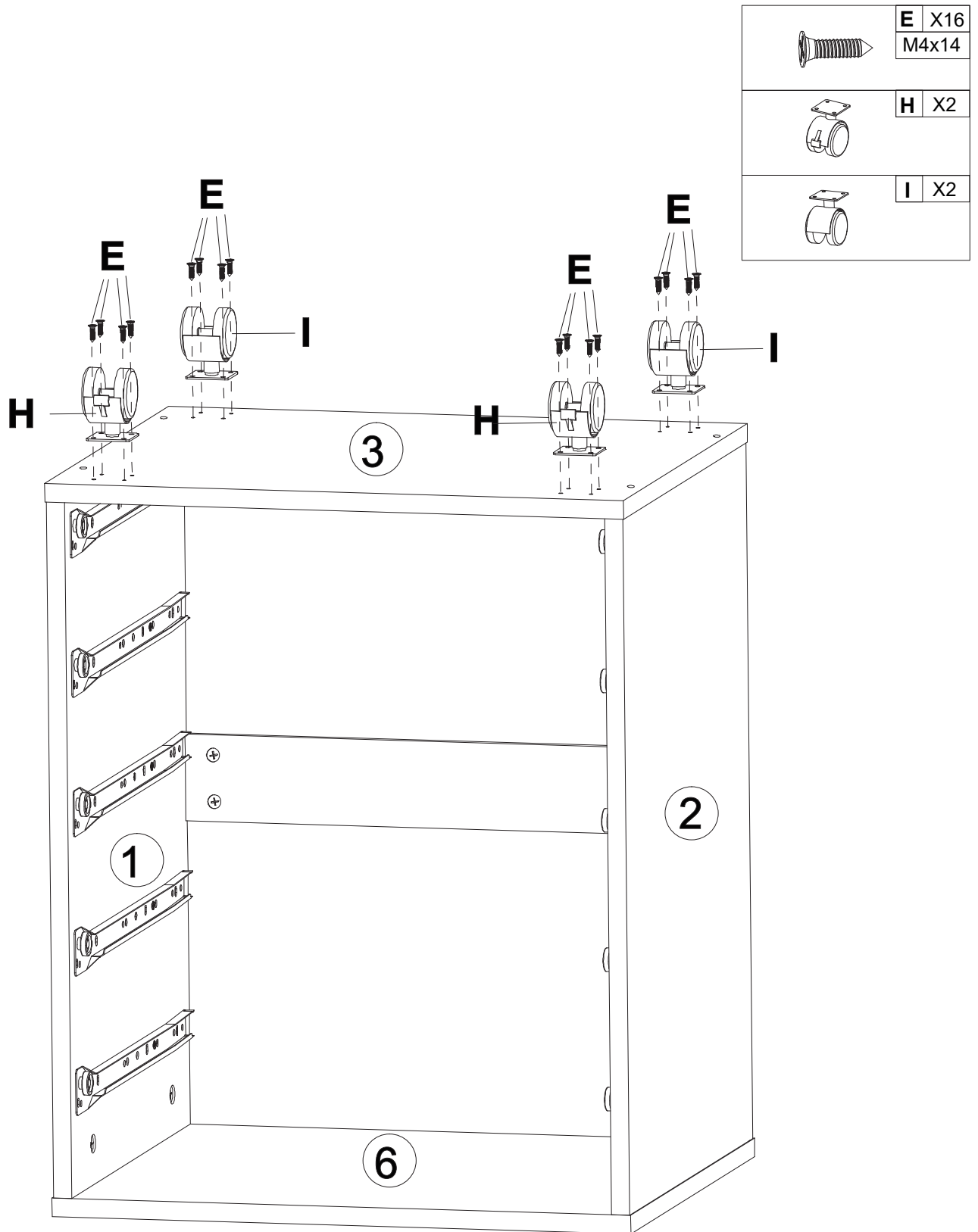
Fix Dowel **(A)\*4** to the Board **(6)**.

## Step 6



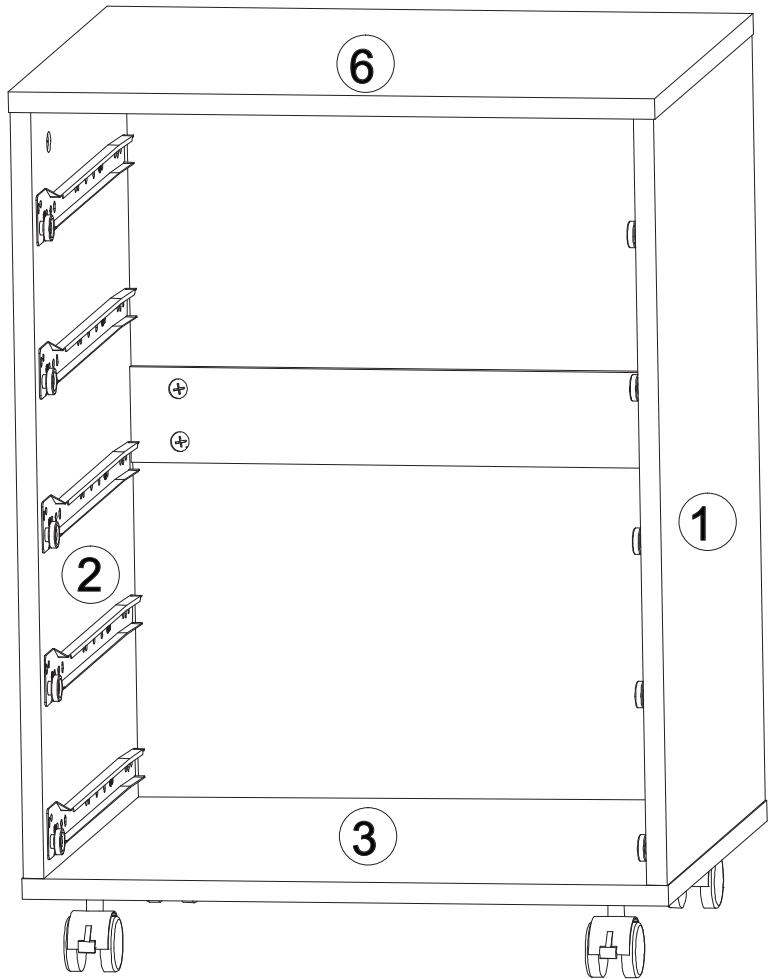
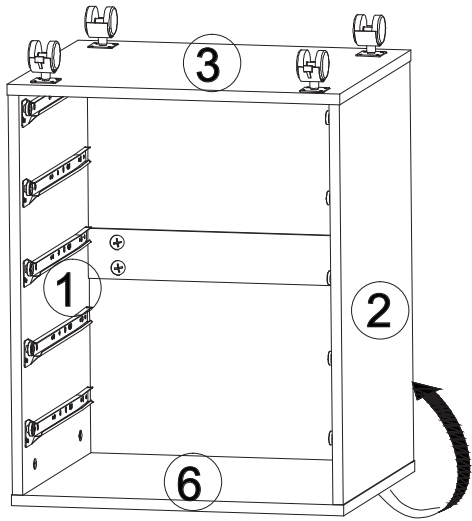
Attach Board **(6)** to the Top of the Boards **(1&2)** with Eccentric Wheel **(L)\*4**. Attach Board **(3)** to the Bottom of the Boards **(1&2)** with Screws **(J)\*4**.

# Step 7




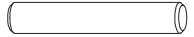
Attach Lockable Casters (**H**)\***2** to the Front side of the Board (**3**) and Casters (**I**)\***2** to its Back side with Screws (**E**)\***16**.

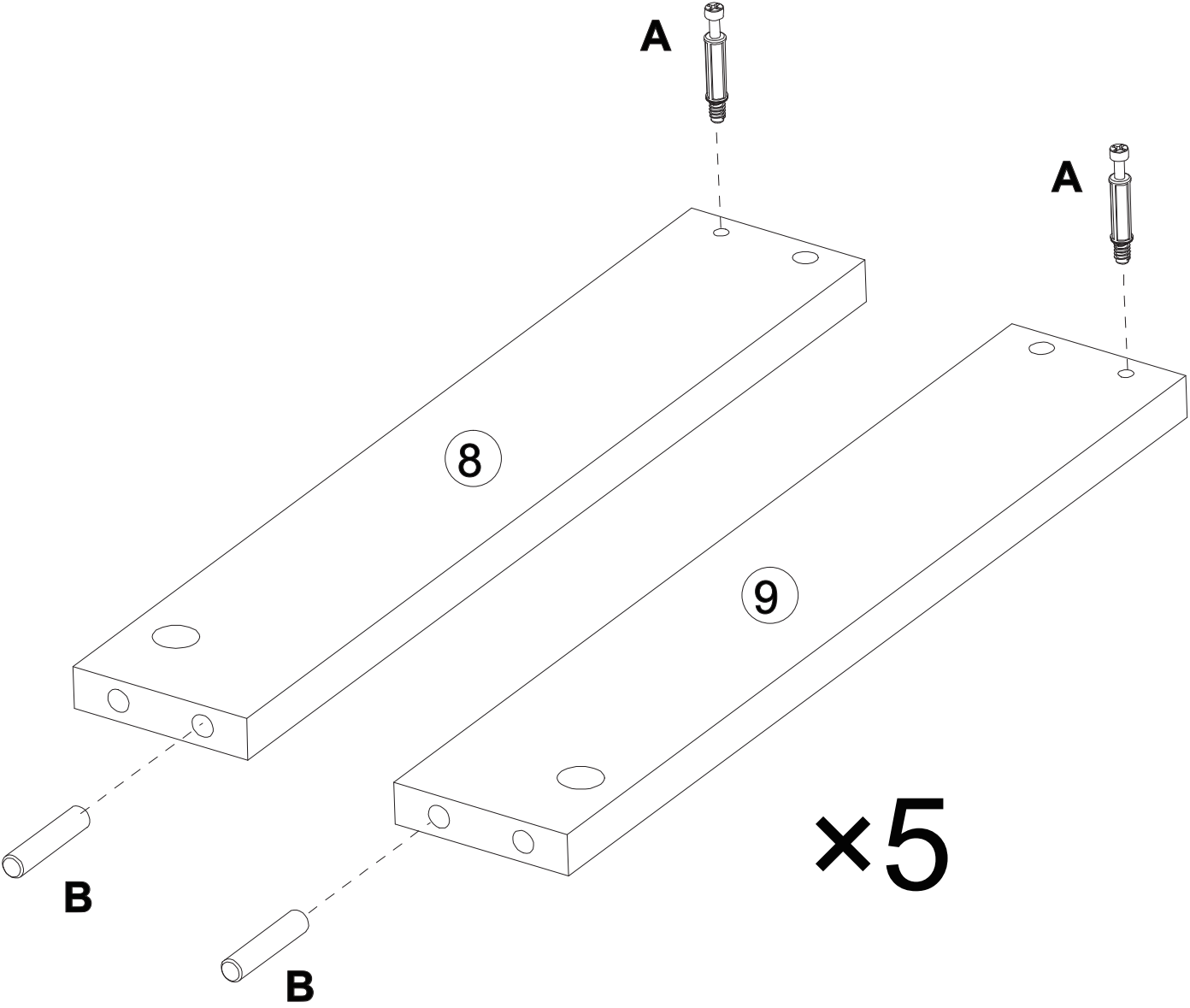
# Step 8



Turn the installed Cabinet over.

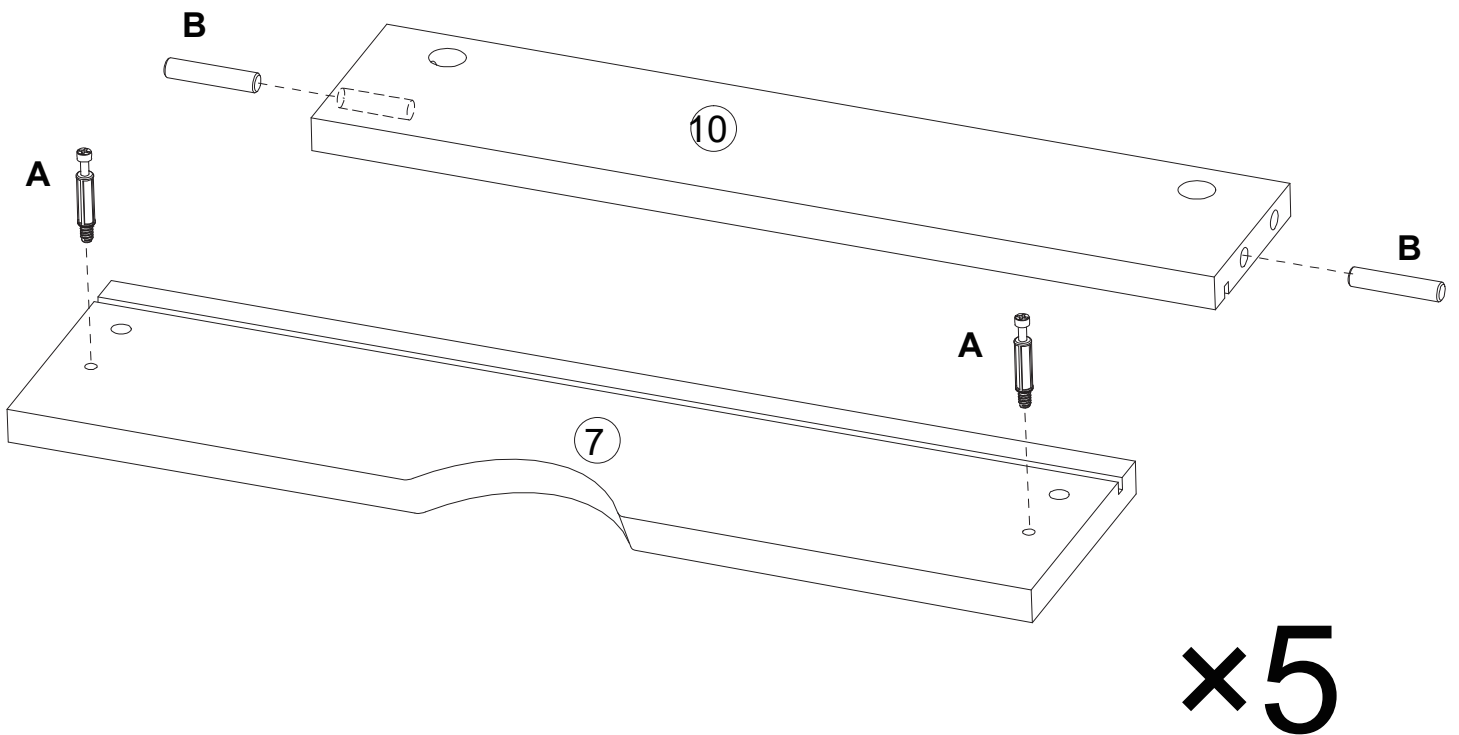
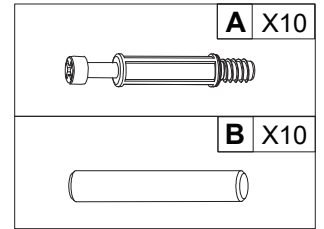
# Step 9

	<b>A</b> X10
	<b>B</b> X10



Fix Dowel **(A)\*2** to the Boards **(8&9)**. Attach Wooden Dowel **(B)\*2** to the Boards **(8&9)**.

# Step 10

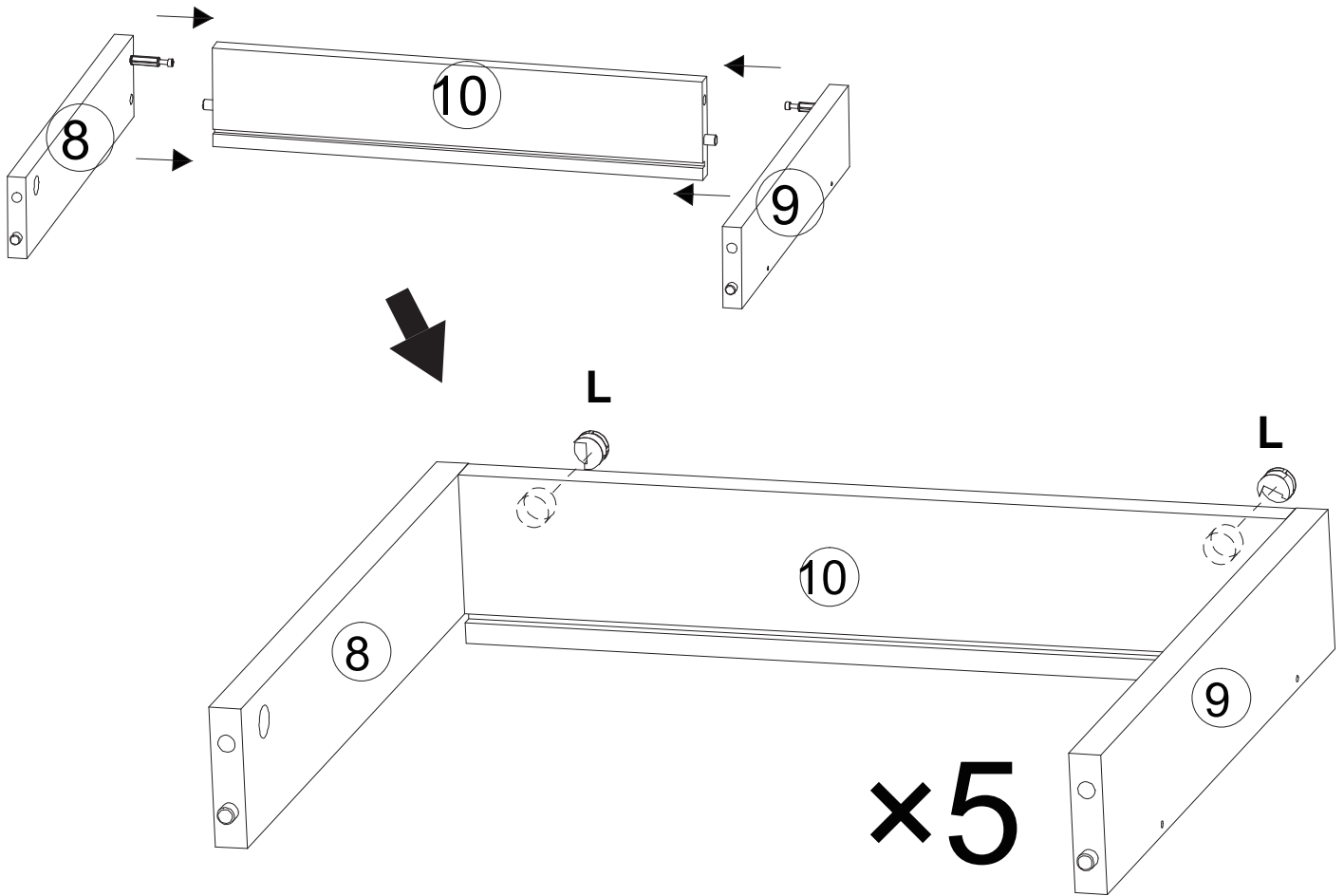


Fix Dowel **(A)**\***2** to the Board **(7)**. Attach Wooden Dowel **(B)**\***2** to the Board **(10)**.

# Step 11

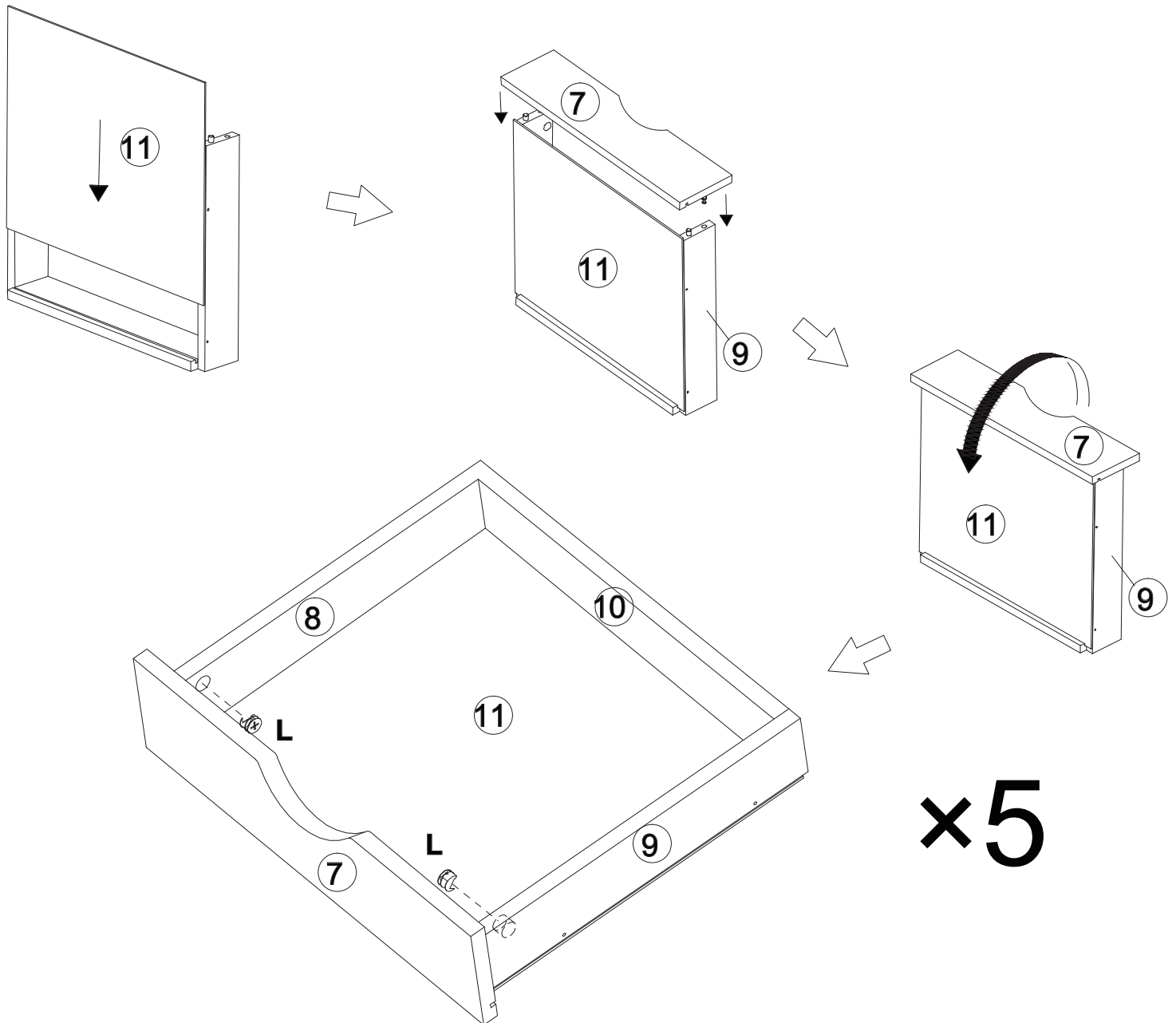
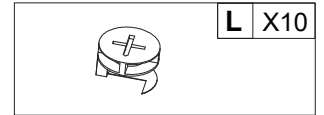


L X10



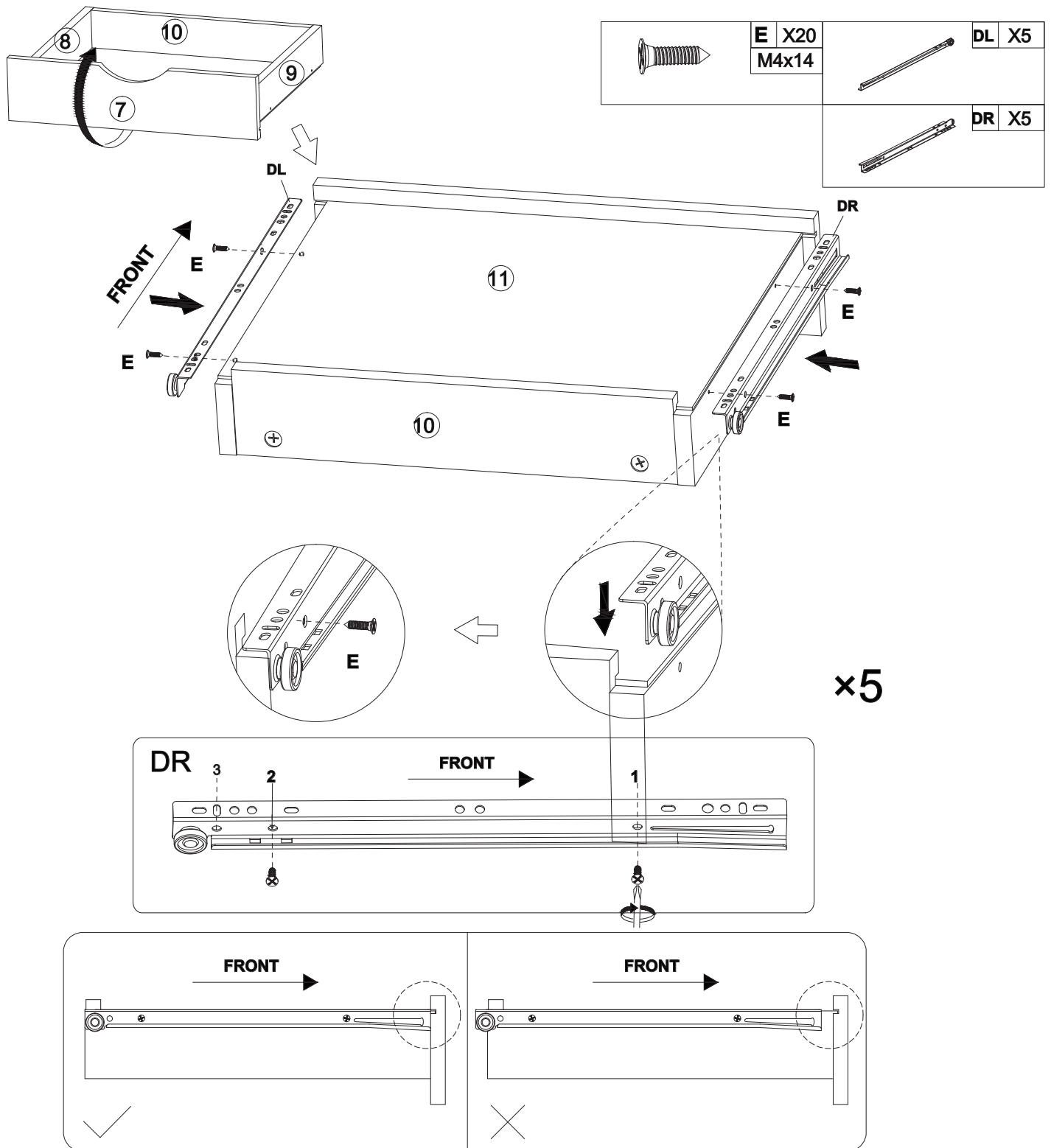
Fix Boards **(8&9)** to both sides of the Board **(10)** with Eccentric Wheel **(L)\*2**.

# Step 12



Slide the Board **(11)** into the installed Board groove. Then fix Boards **(8&9)** to both sides of the Board **(7)** with Eccentric Wheel **(L)\*2**.

# Step 13



Turn the installed Drawer over. Attach Slide Rails (**DL&DR**) to the Boards (**8&9**) on each side of the drawer with Screws (**E**)\*4.

1. According to the "**FRONT**" of the Drawer, distinguish the left and right side of the Slide Rail.

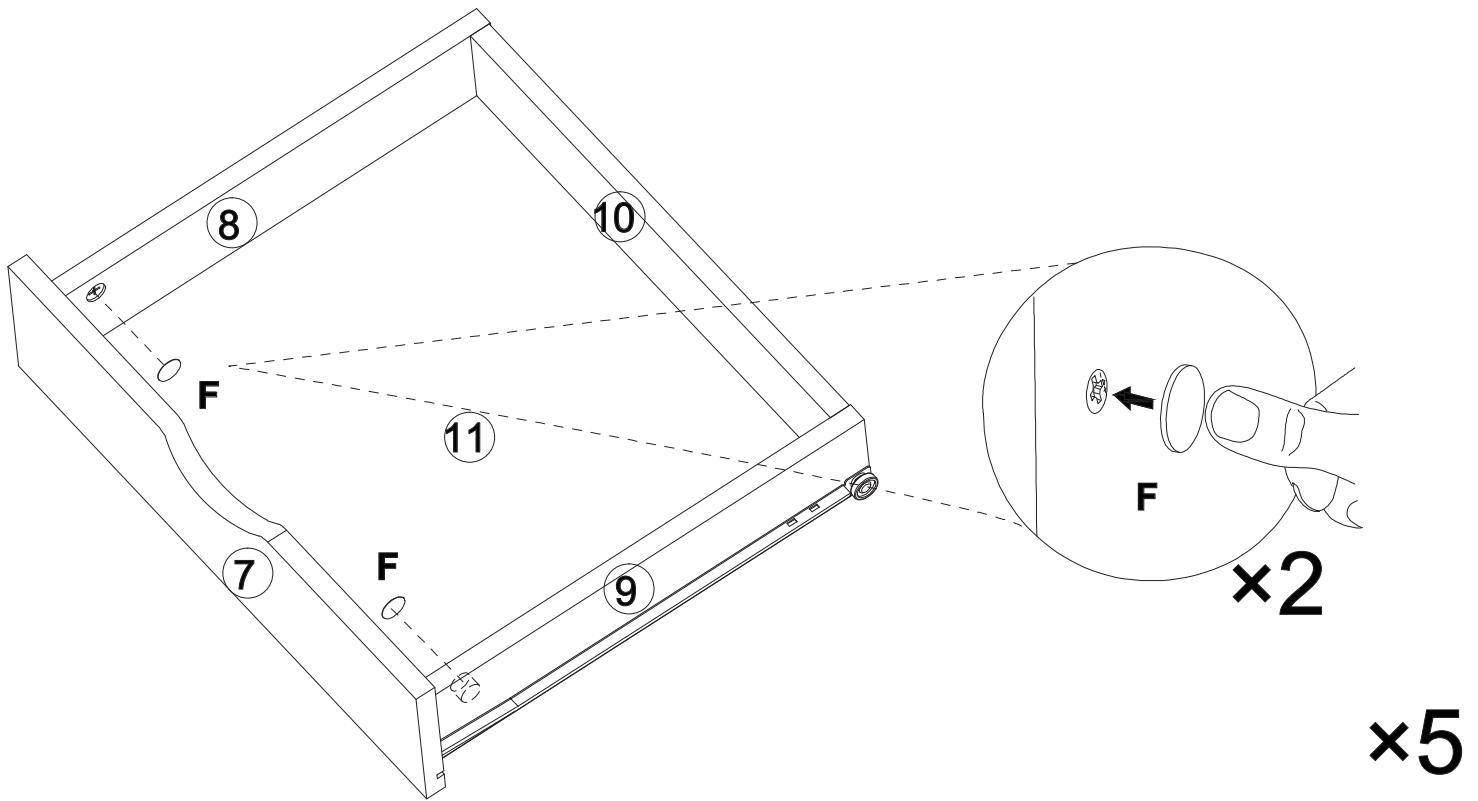
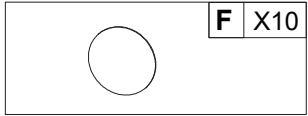
## Note:

2. Install the Slide Rail against the Board (**7**).

3. Install the Screws in holes #2 and #1 in this step.

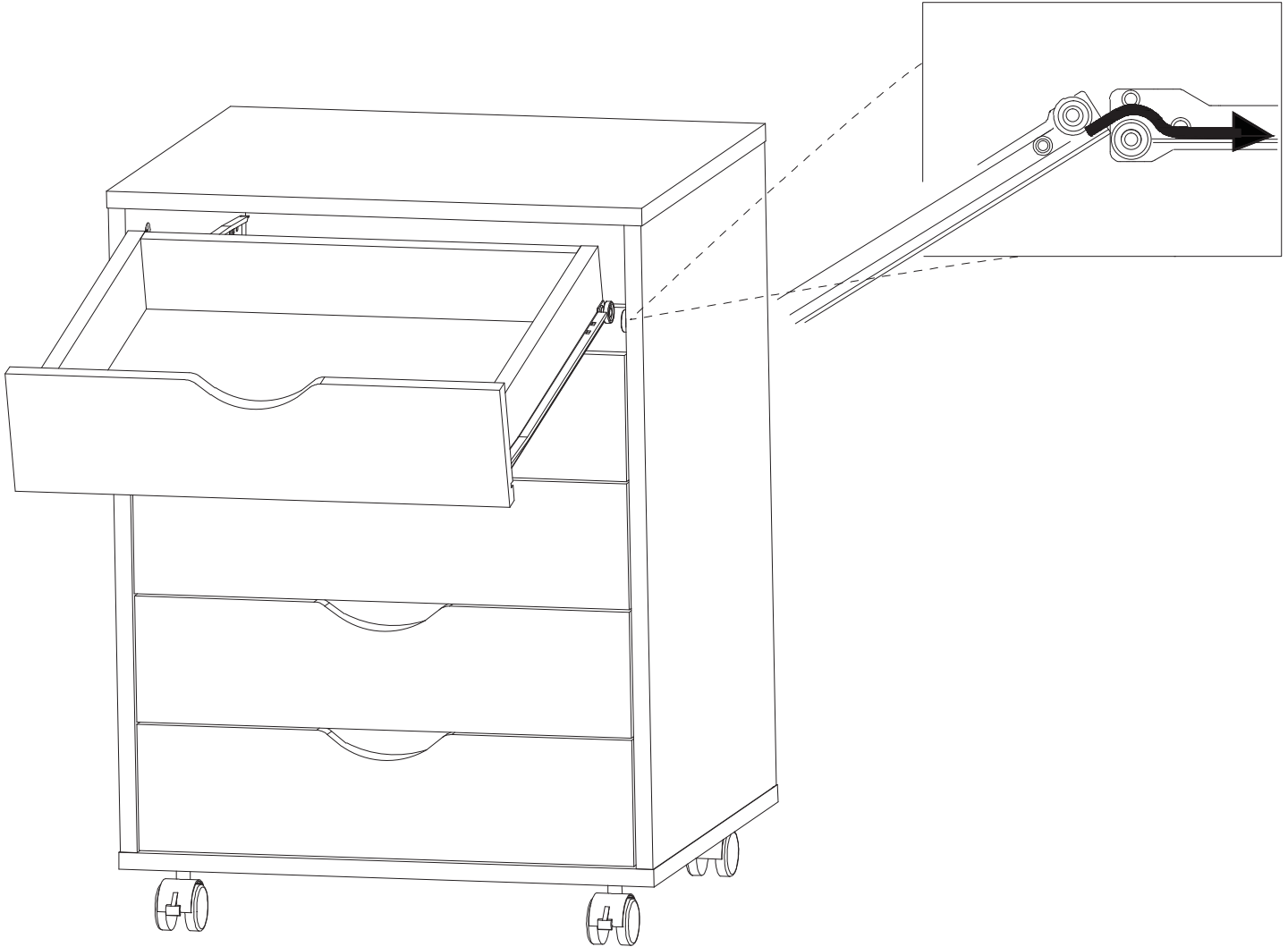


# Step 14



Using Cover-up Sticker **(F)\*2** to cover the exposed part of Screws.

## Step 15

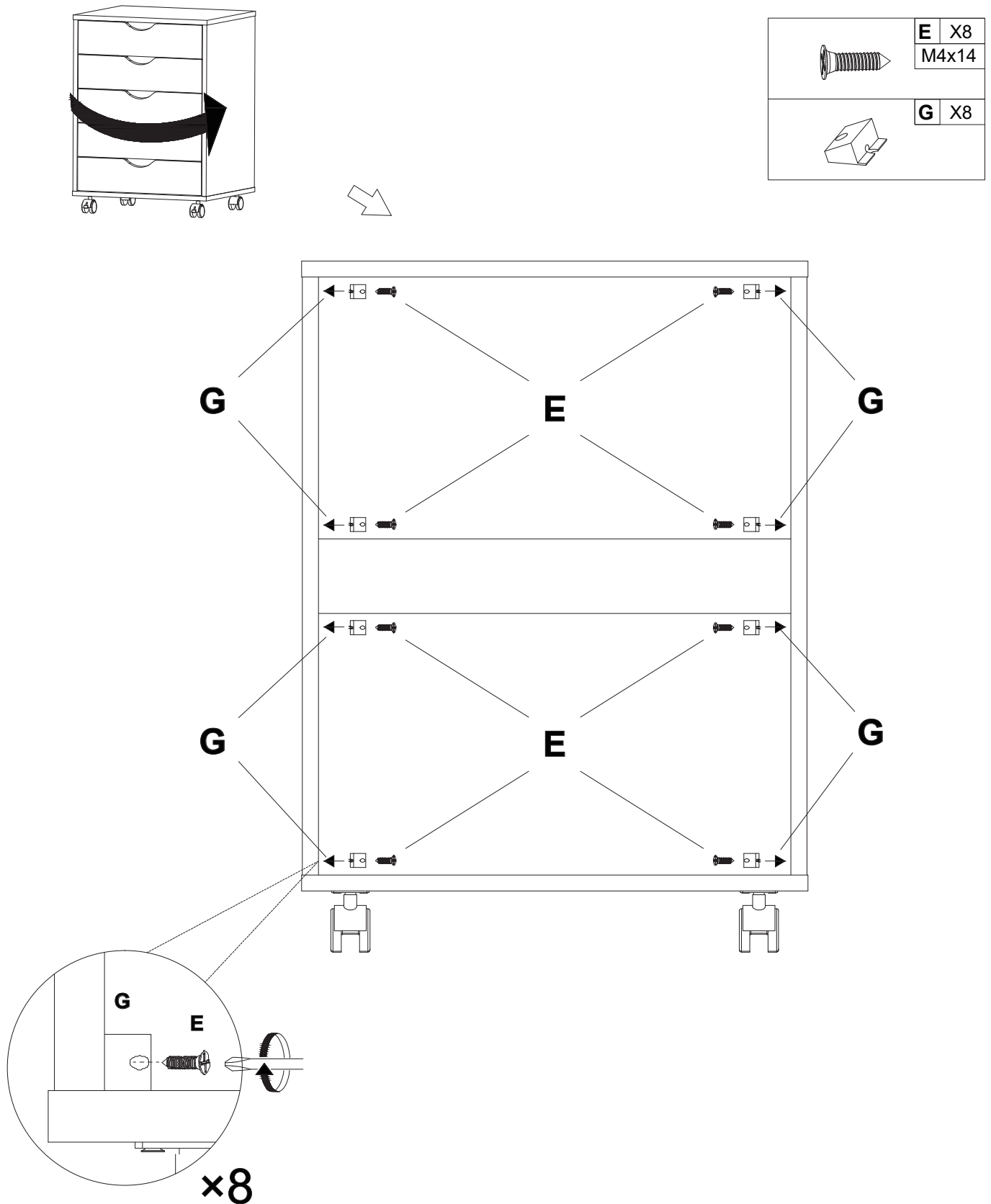


Align the Slide Rail on the Drawer with the unit and push it carefully inside until it stops.

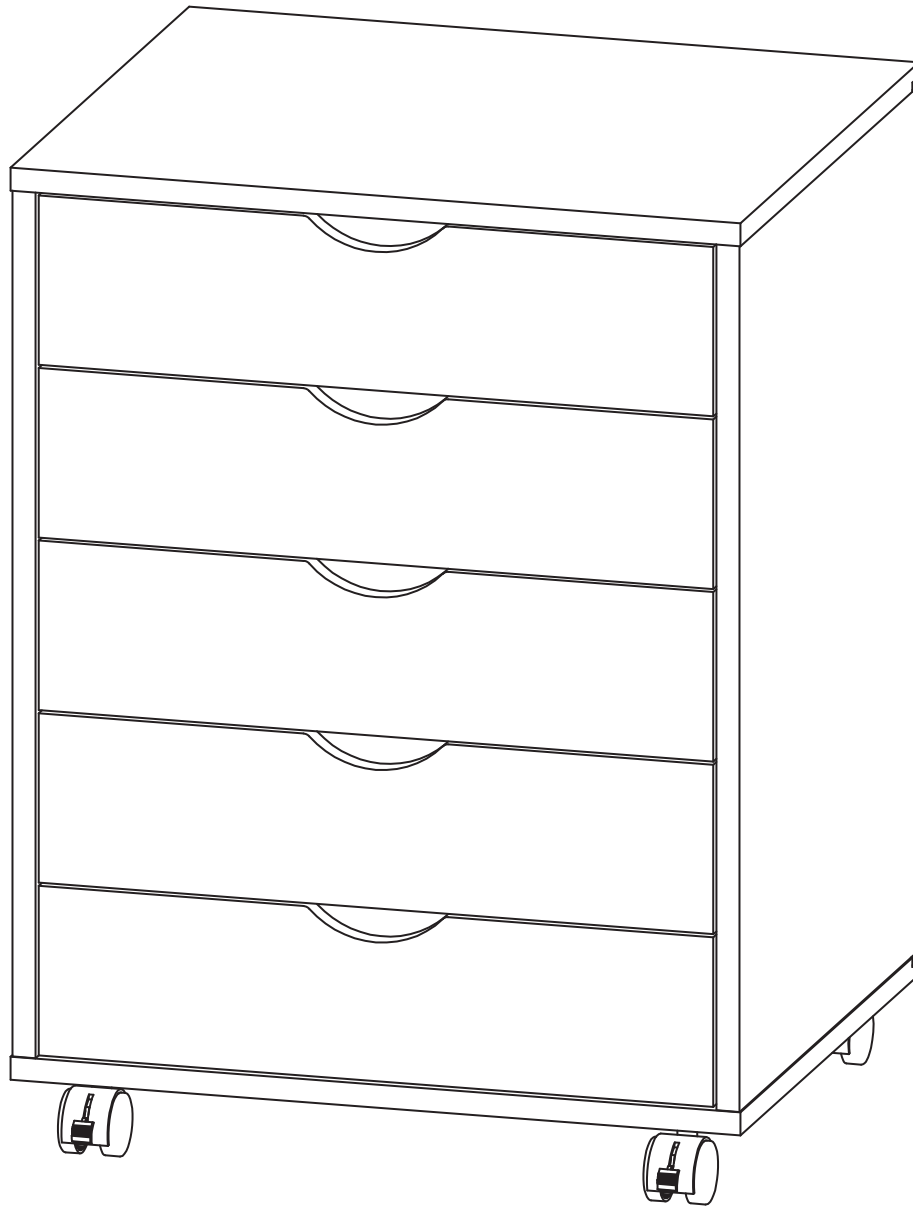
### Note:

If the drawer does not go in smoothly please take it out and repeat the step. It is recommended to install the bottom drawer first to prevent tipping.

# Step 16



As shown, fix Buckle (**G**)\***8** on the back of the installed Cabinet with Screws (**E**)\***8**.



## Technical Support

(909)637-7665 | (909)637-7593

## Other Info

HJ-Customer-Service@outlook.com



Thank you for choosing this product. We strive to provide you with the best quality products and service in the industry. Should you have any issues, please don't hesitate to contact us.

<https://hinstallationvideos.s3.amazonaws.com/5CHDG-2130+Drawer+Storage+Cabinet.mp4>