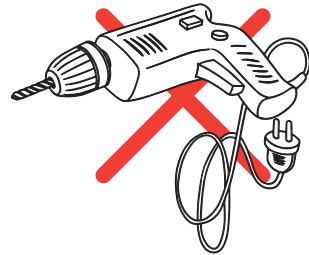
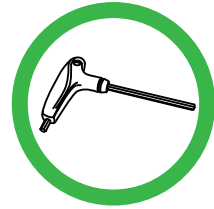


After successful installation please put the chair in a shady outside for 1-2 days.



For longer use

Re-tighten bolts every 6 months by using the enclosed allen-key.
*Using an electric drill can damage the chair. Please re-tighten bolts manually.



Safety Information



Sit in the center of the chair, with your back to the backrest



Do not sit at the front edge of the chair



Do not stand on the chair



Do not use the chair with more than one person



Do not push the chair around when a person is sitting in it



Do not push down on the backrest when a person is reclined



Do not place all your weight on only the backrest



INSTRUCTION MANUAL

C-3718-3A1P
C-3718-3A2P

✉ HJ-Customer-Service@outlook.com

☎ (909)637-7665 | (909)637-7593

EST 9:00AM--17:00PM

Package List



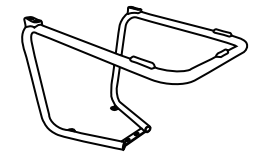
(A)*1 Backrest



(B)*1 Seat



(C)*1L * 1R Armrests



(D)*1 Legs



(E)* 8 Bolts



(F)*6 Bolts



(G)*1 Wrench

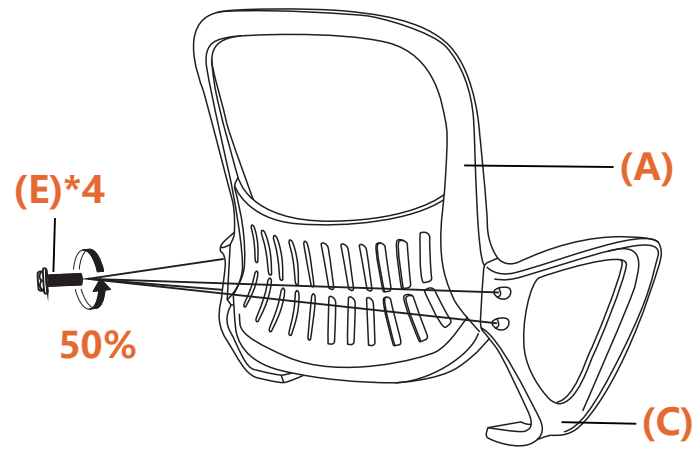
INSTRUCTION MANUAL

Model: C-3718-3A1P | C-3718-3A2P

✉ HJ-Customer-Service@outlook.com

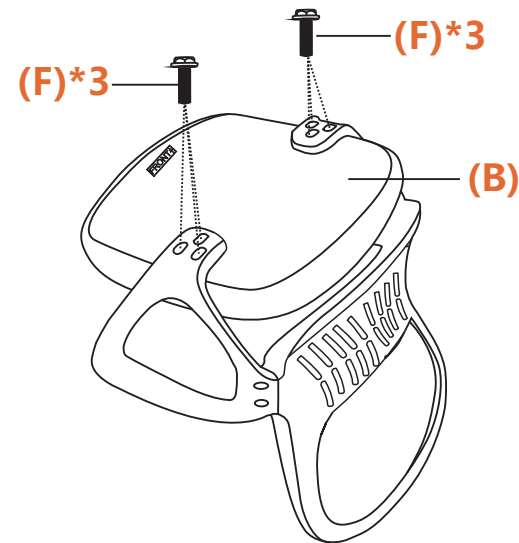
☎ (909)637-7665 | (909)637-7593

Assembly Instruction



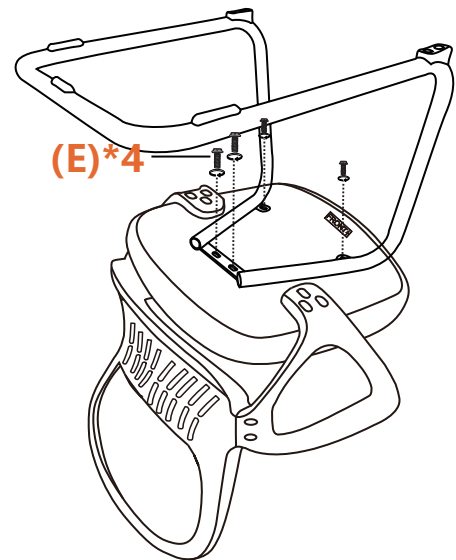
NOTE: Bolts are only tightened 50%.

- 1 Install Armrests (C)*1L*1R to both sides of the Backrest (A) with Bolts (E)*4



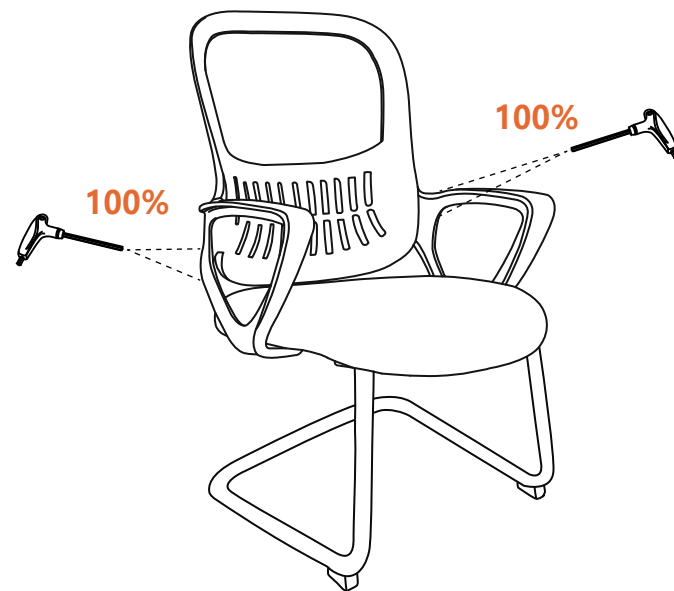
NOTE: The Seat is marked with "FRONT", please make sure the installation direction is correct.

- 2 Turn the Seat (B) upside down . Install Armrests (C)*1L*1R to the Seat (B) with Bolts (F)*6 .



NOTE: As shown, make sure the Legs are facing correctly.

- 3 Install the Legs (D)*2 to the Seat (B) with Bolts (E)*4.



- 4 100% tighten the previously installed Bolts (E)*4 on the Armrests (C)*1L*1R.

CAUTION:

- * Before using the chair, check to ensure that all bolts are fully tightened.
- * Lubricate all parts and tighten all bolts every 6 months or whenever needed.