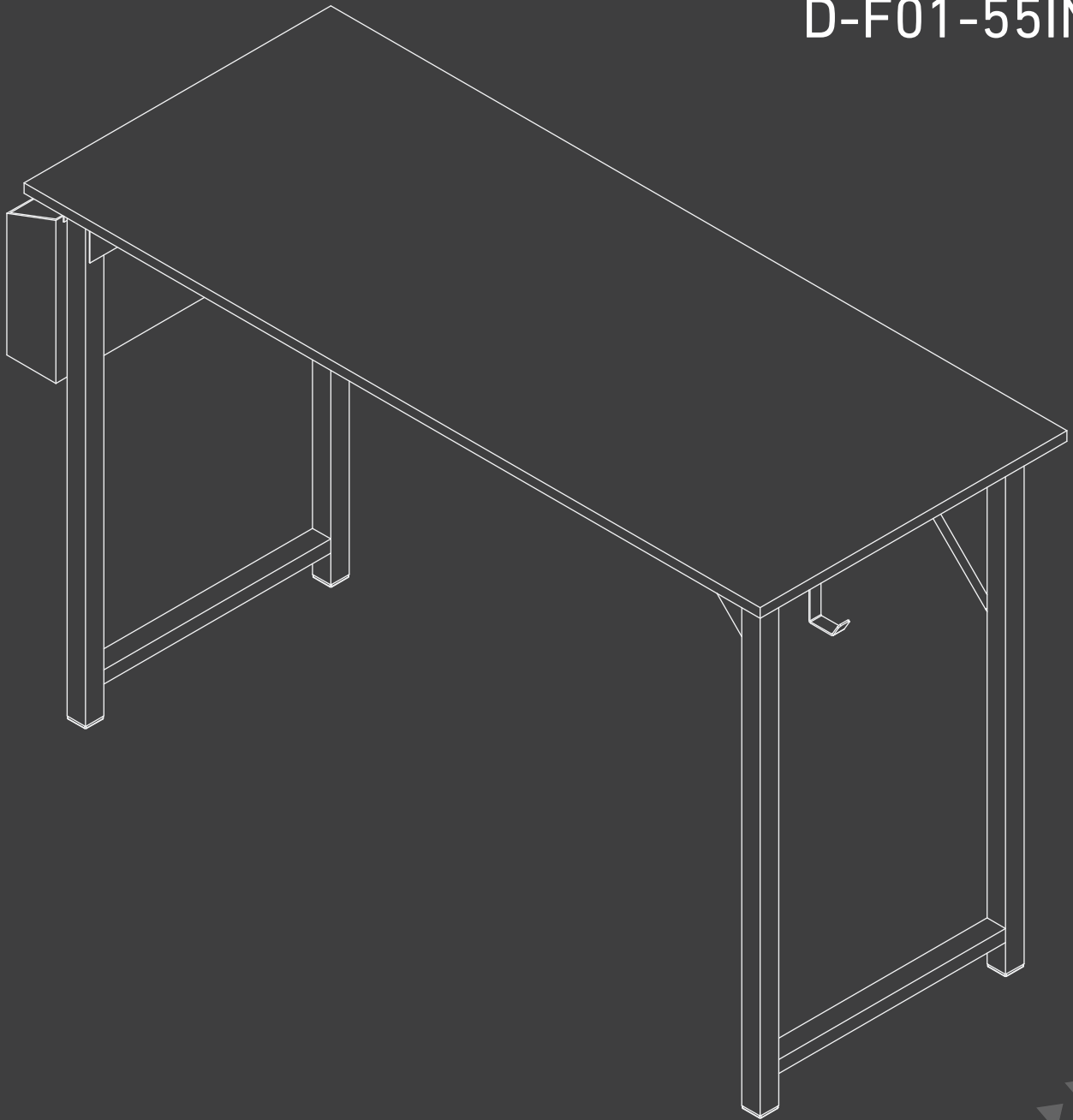


Computer Desk

Instruction Manual

D-F01-47IN

D-F01-55IN

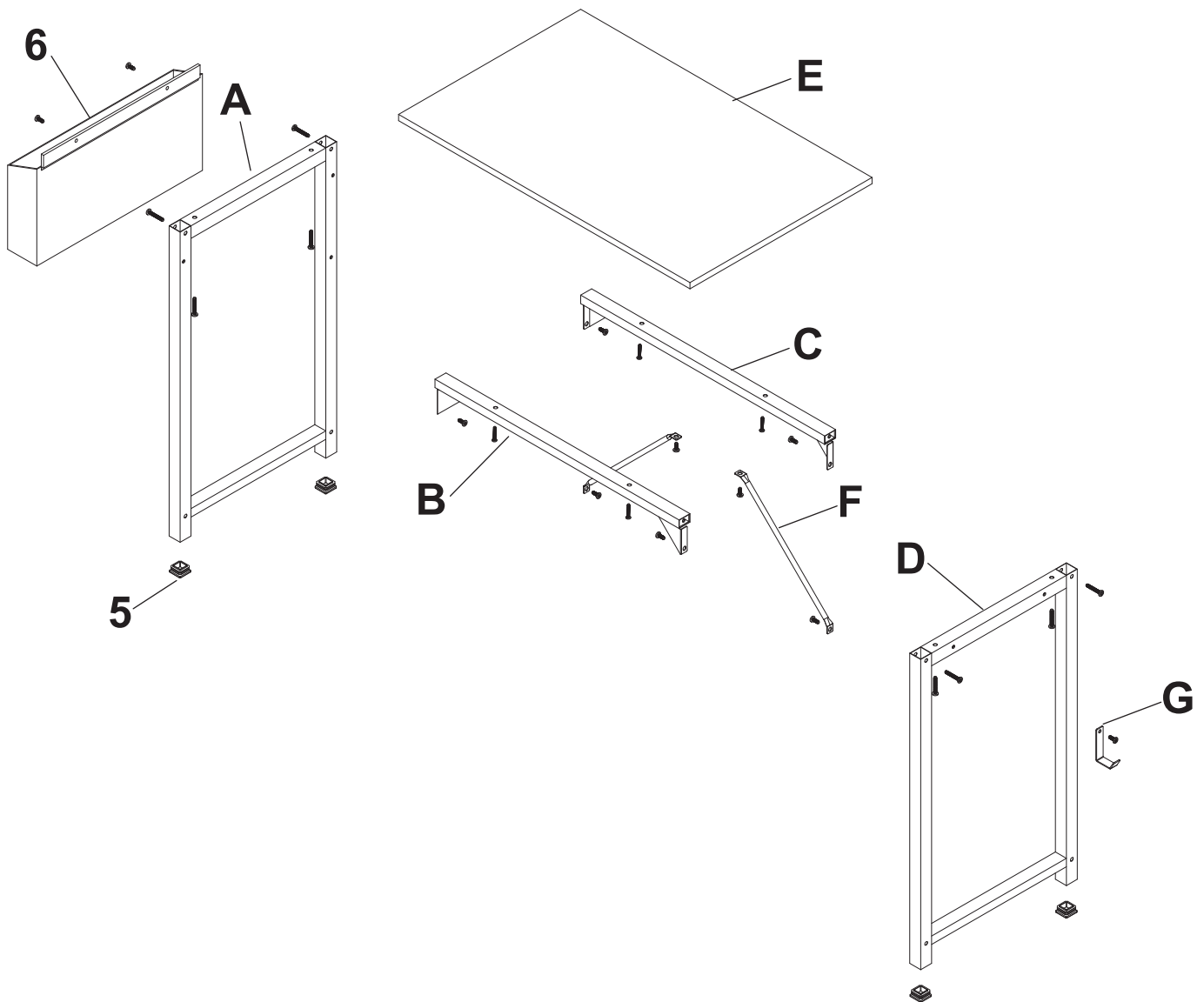


 EST 9:00AM--17:00PM

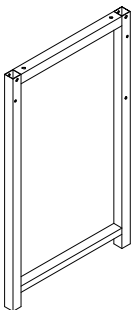
 HJ-Customer-Service@outlook.com

 (909)637-7665 | (909)637-7593

1 Component List

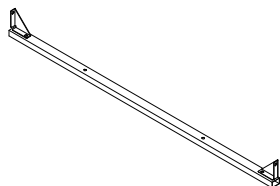


1 Package List



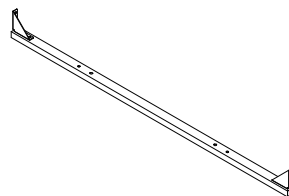
A x1

Leg



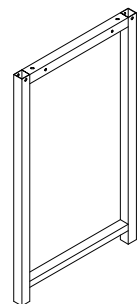
B x1

Crossbar



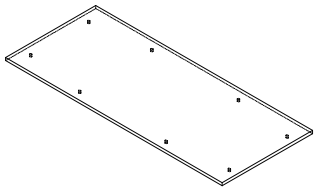
C x1

Crossbar



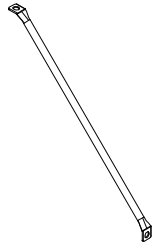
D x1

Leg



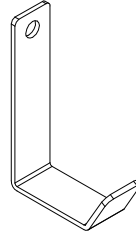
E x1

Board



F x2

Bar



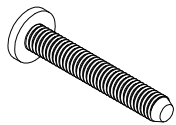
D x1

Hook



1 x11

Screws
M6*16mm



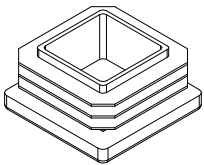
2 x12

Screws
M6*40mm



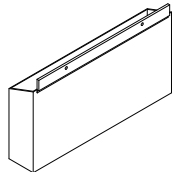
3 x1

Wrench



4 x4

Foot Pad



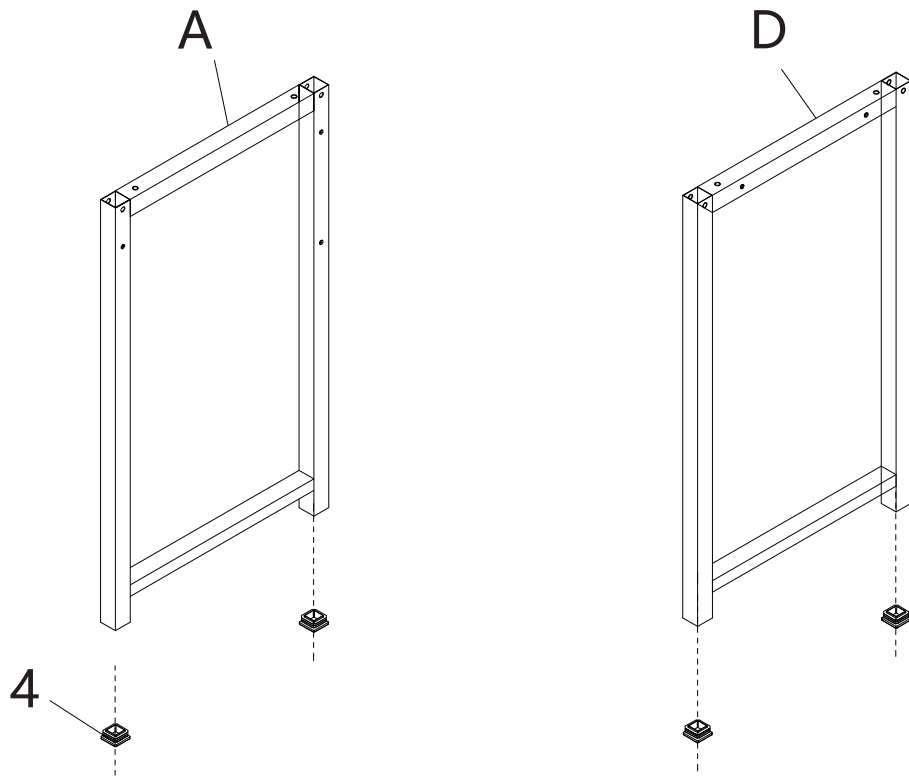
5 x1

Felt Bag

ATTENTION:

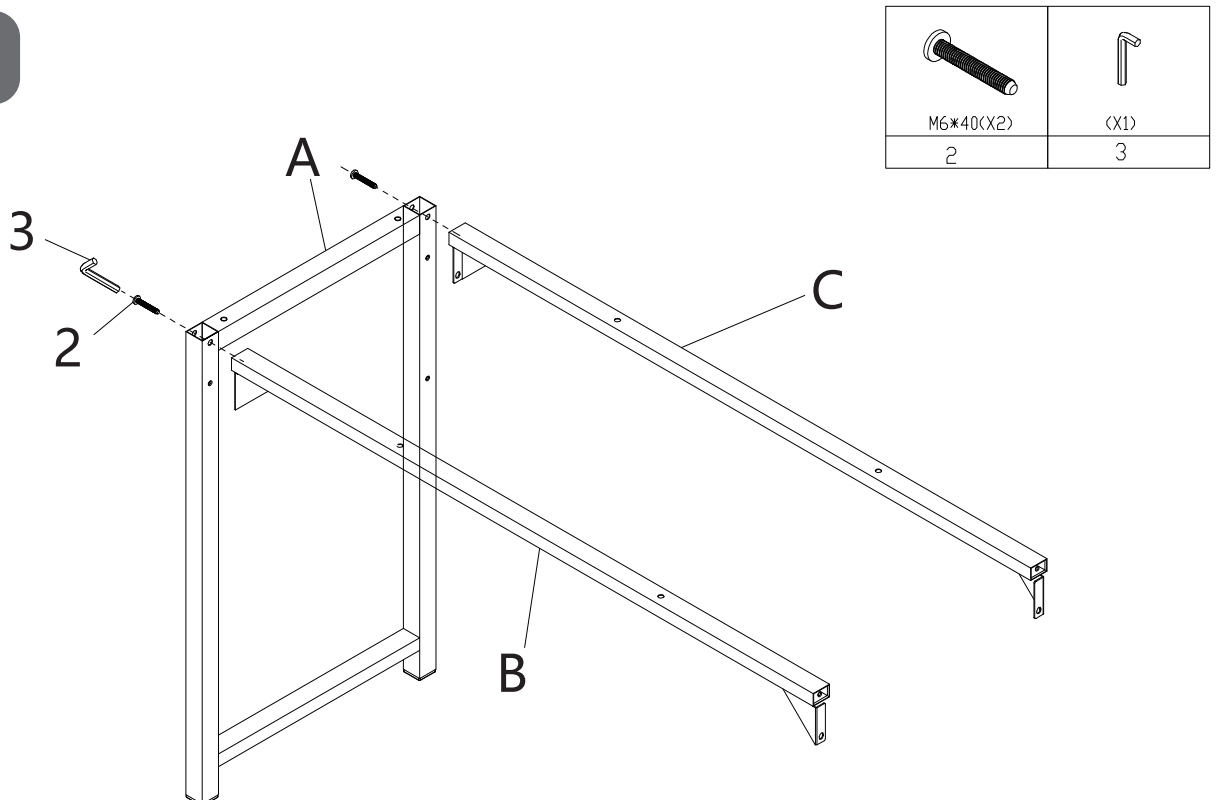
1. Please do not wipe the desk with corrosive liquids.
2. Please take good care of the parts to avoid children's contact and accidental eat in.
3. Please do not place overheated kitchenware and tableware to avoid damaging the desk.

Step 1



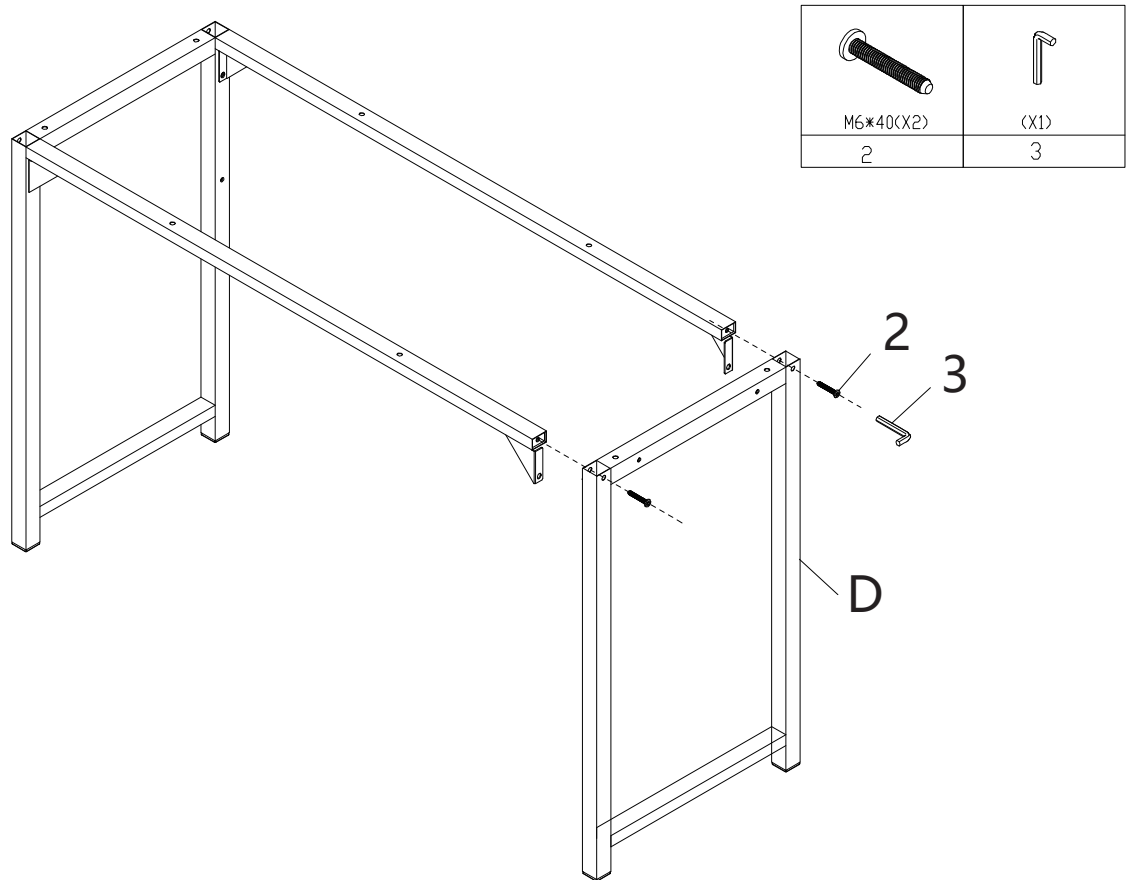
Attach Foot Pad **(4)*4** to the four feet of the Legs **(A&D)**.

Step 2



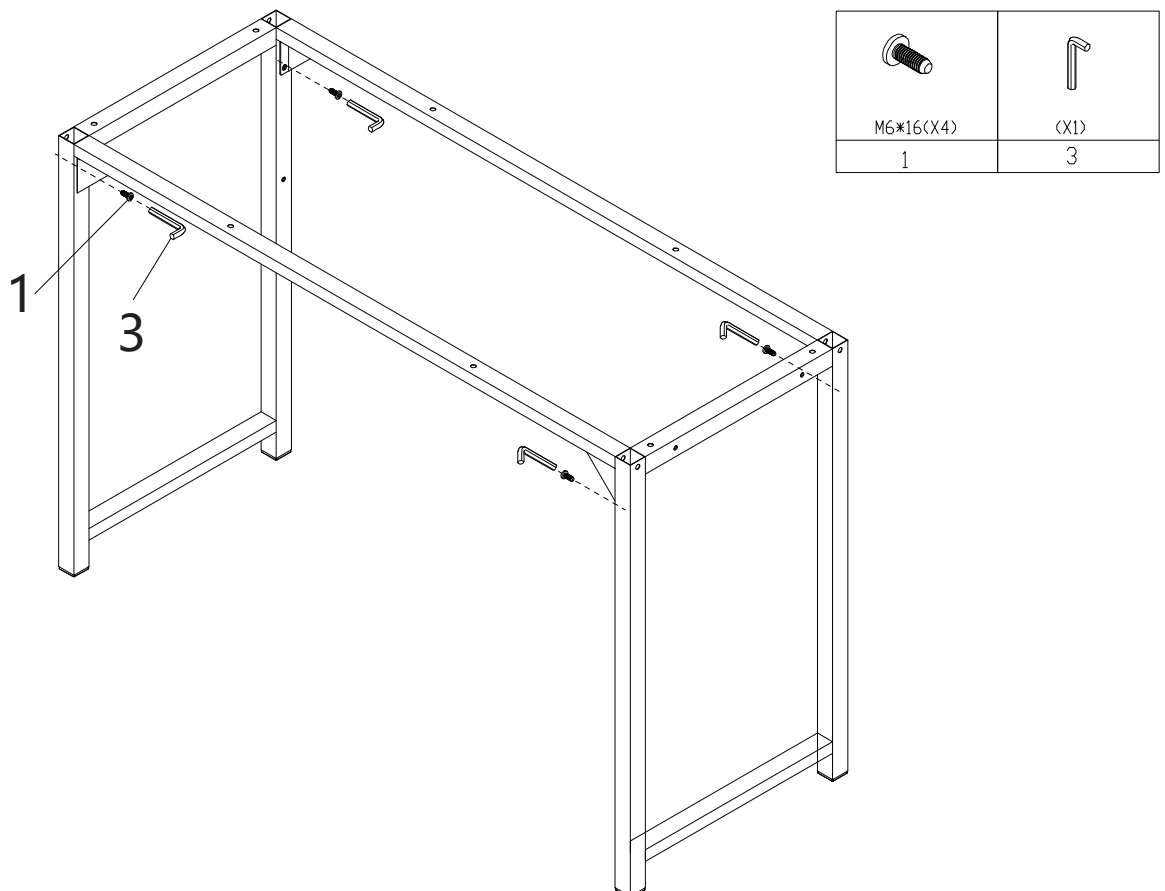
Attach Crossbar **(B)** to the **front** side of the Leg **(A)** and Crossbar **(C)** to its **back** side with Screws **(2)*2**.

Step 3



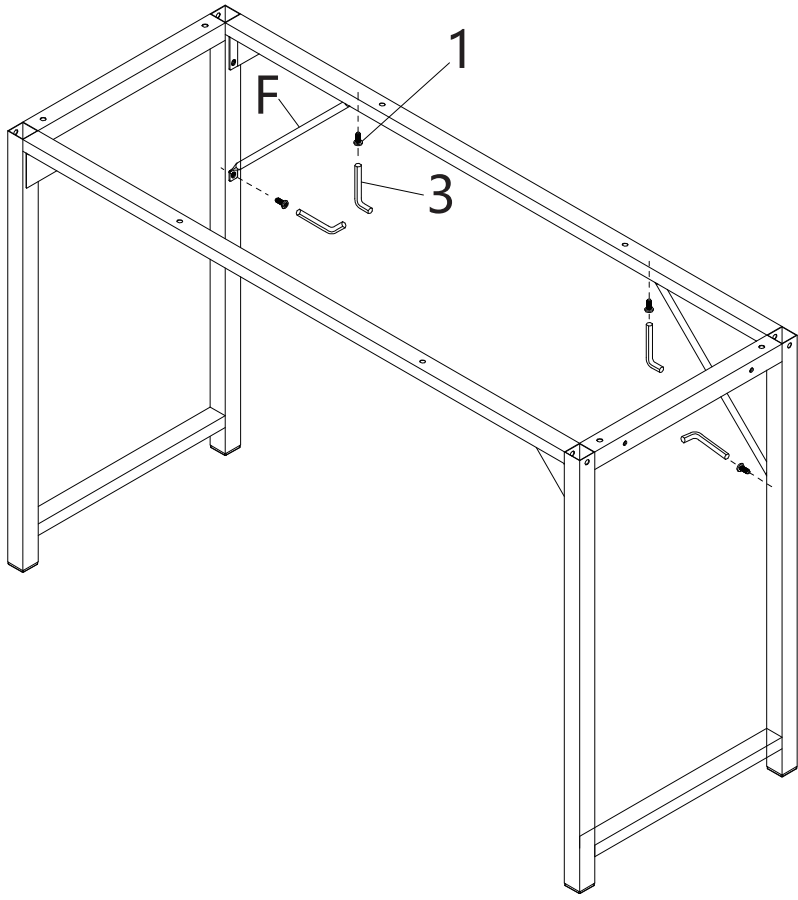
Attach Leg **(D)** to the installed Desk Frame with Screws **(2)*2**. Please make sure the Legs are oriented correctly.



Step 4



Secure the remaining four screw holes of the Crossbars **(B&C)** completely to the installed Desk Frame with Screws **(1)*4**.

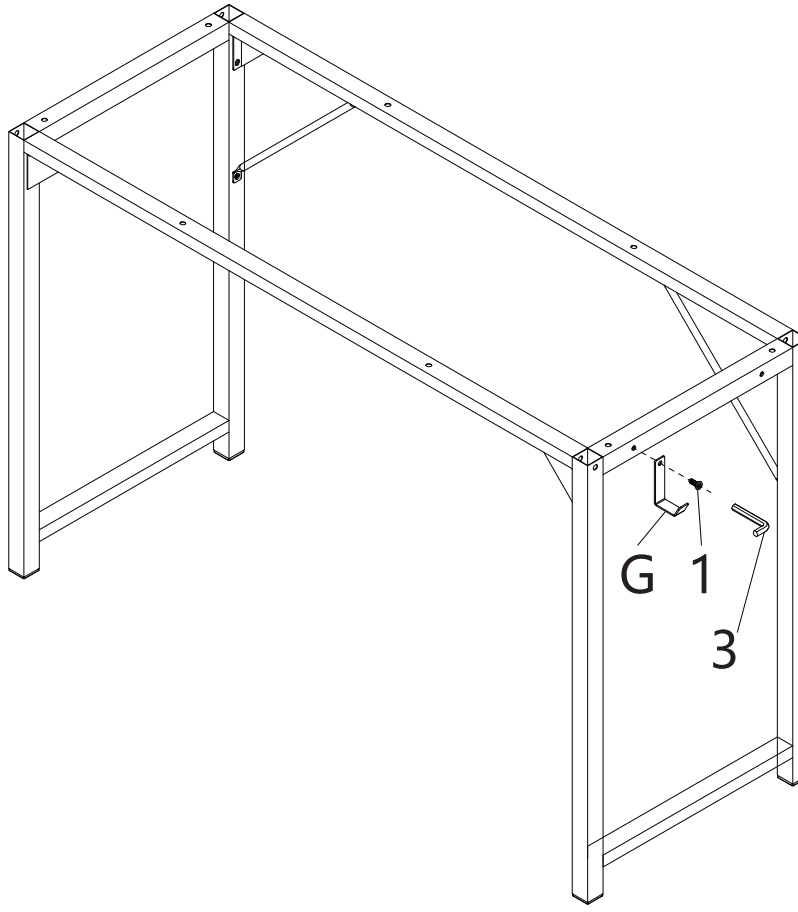
Step 5





	
M6*16(X4)	(X1)
1	3

Attach Bar **(F)***2 to the Legs **(A&D)** and Crossbar **(C)** with Screws **(1)***4.

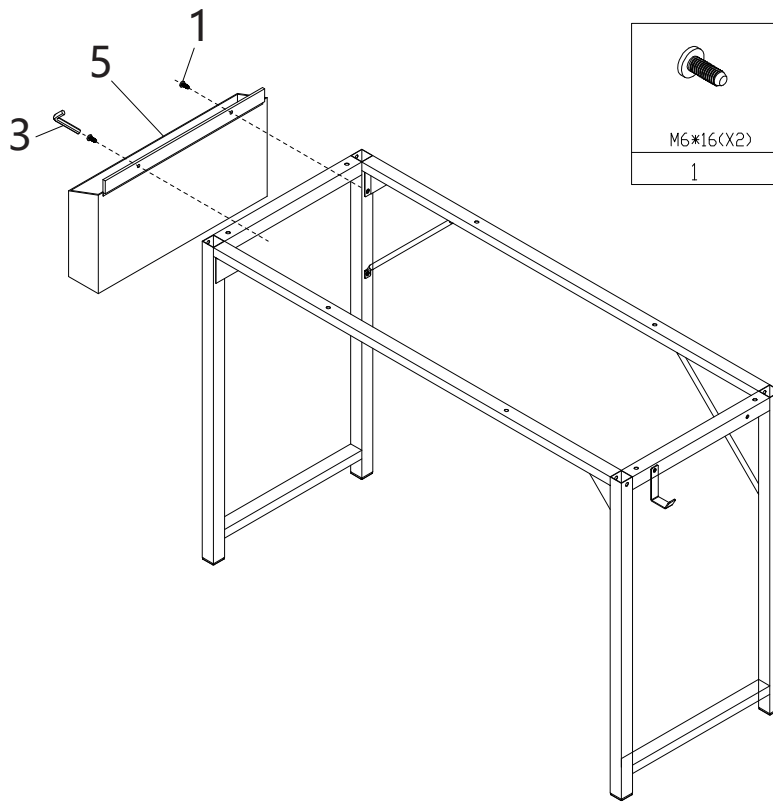
Step 6



	
M6*16(X1)	(X1)
1	3

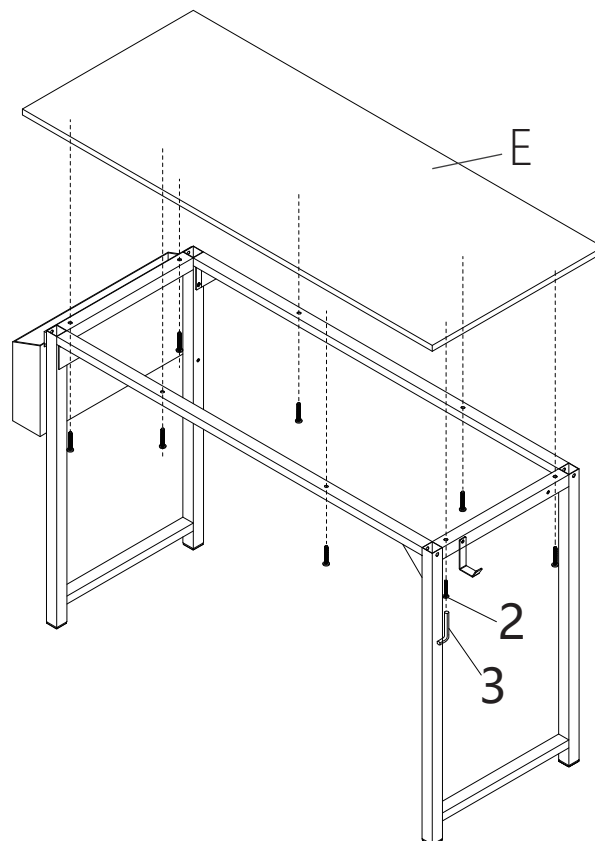
Attach Hook **(G)** to the Leg **(D)** with Screw **(1)***1.

Step 7



Attach Felt Bag (5) to the Leg (A) with Screws (1)*2.

Step 8



Attach Board (E) to the Legs (A&D) and Crossbars (B&C) with Screws (2)*8.



Technical Support

(909)637-7665 | (909)637-7593

Other Info

HJ-Customer-Service@outlook.com

Thank you for choosing this product. We strive to provide you with the best quality products and service in the industry. Should you have any issues, please don't hesitate to contact us.