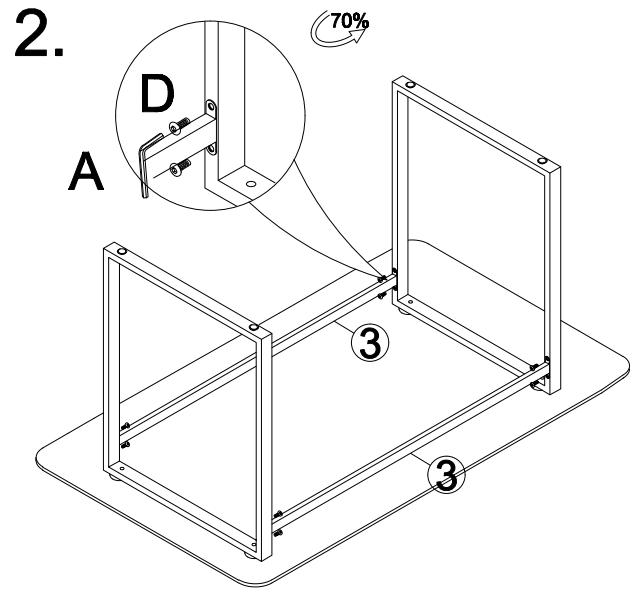
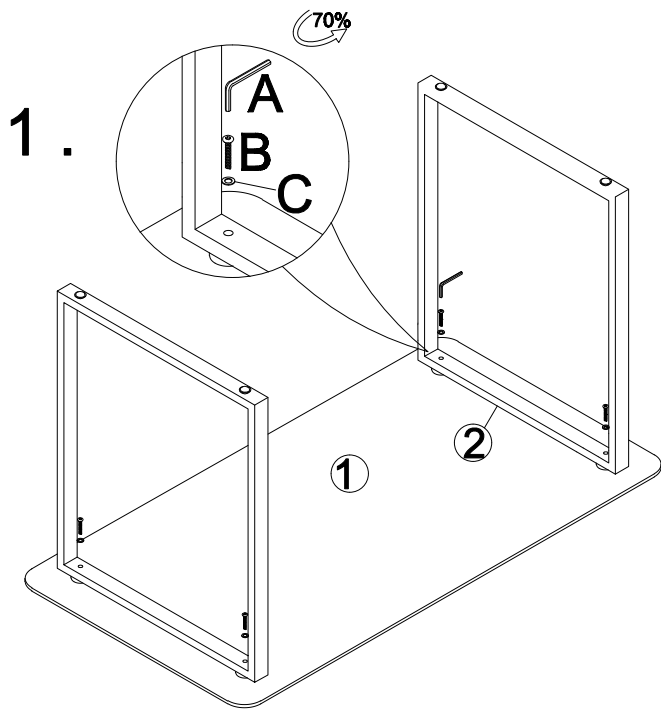
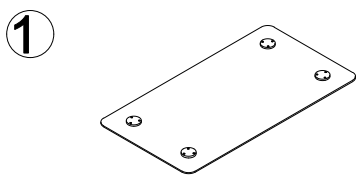
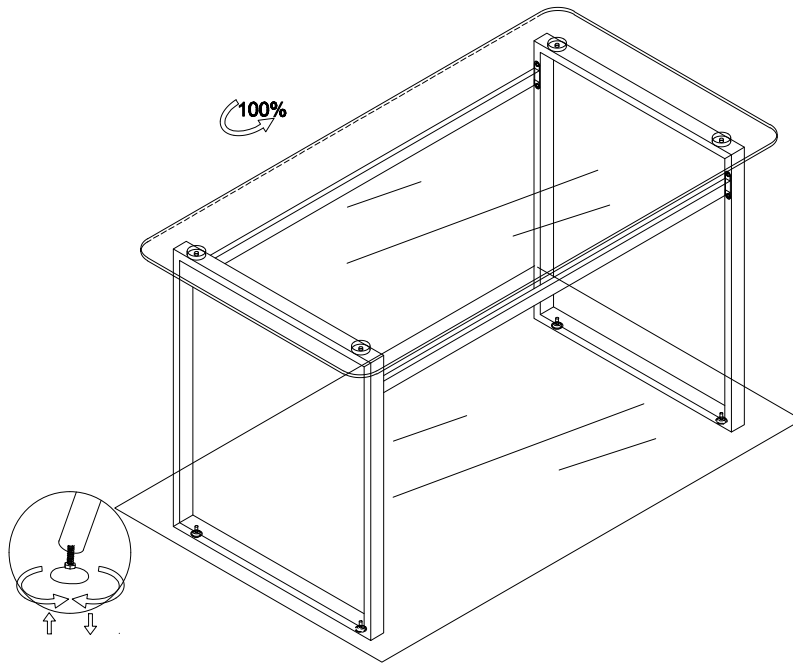


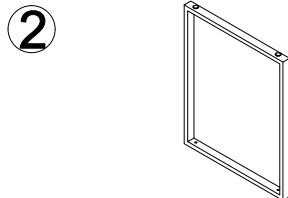
ASSEMBLY INSTRUCTION



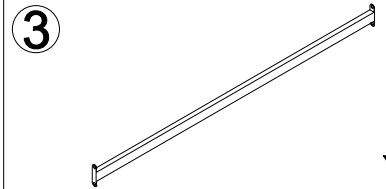
3.



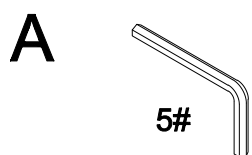
X1



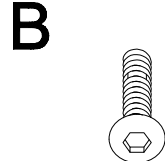
X2



X2



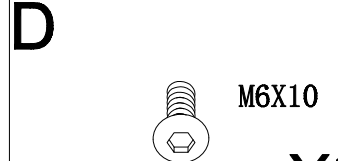
X1



X4



X4



X8