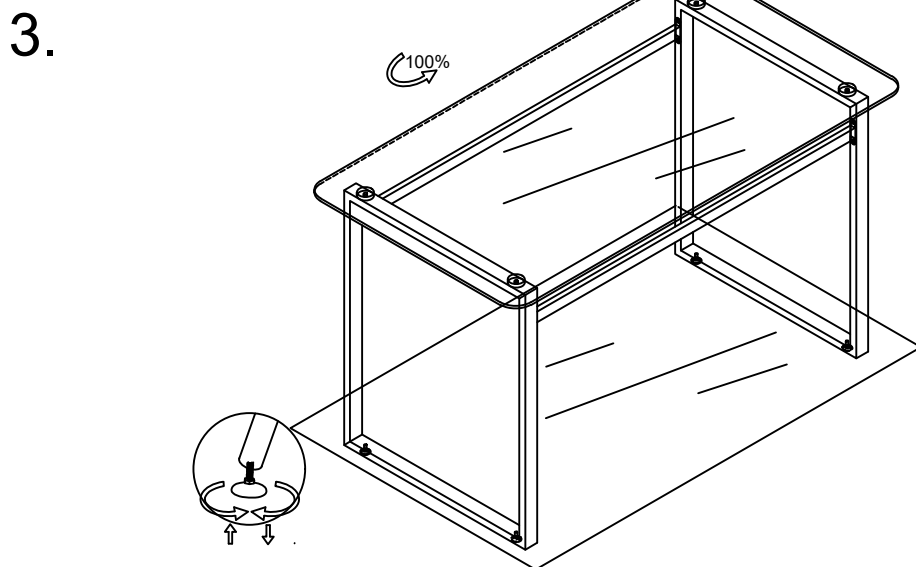
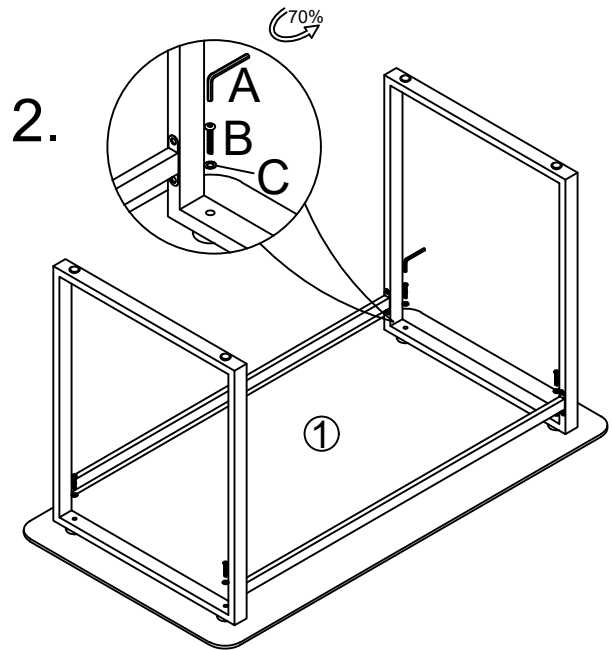
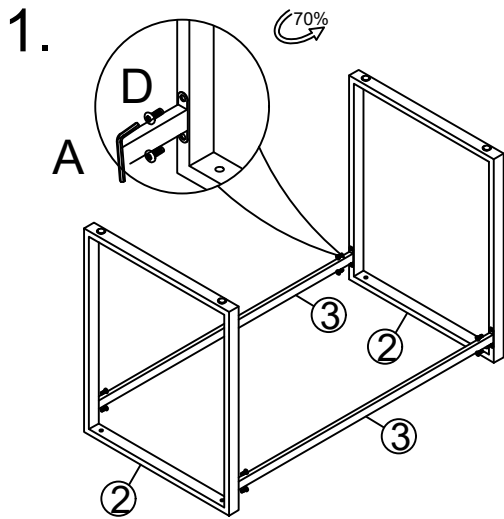
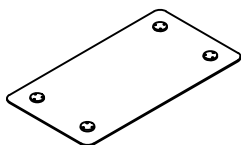


ASSEMBLY INSTRUCTION

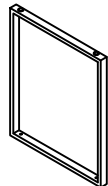


①



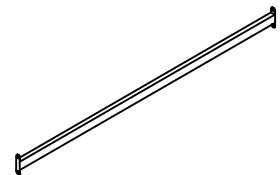
X1

②



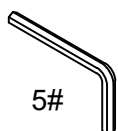
X2

③



X2

A



5#

X1

B



M8X25

X4

C



M8X22

X4

D



M6X10

X8