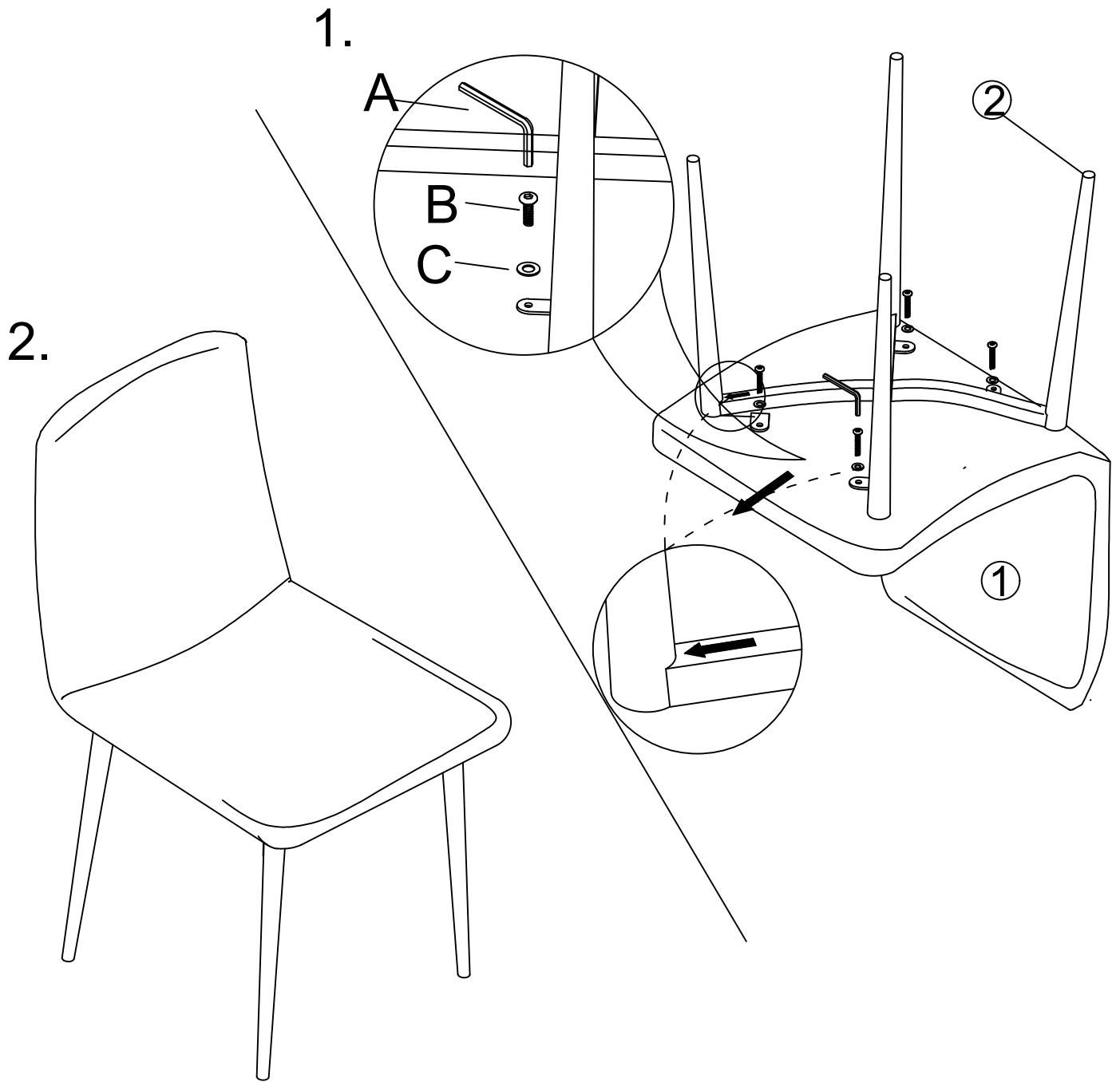


ASSEMBLY INSTRUCTION

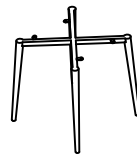


①



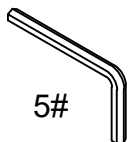
X1

②



X1

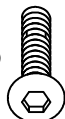
A



X1

B

M6X16



X4

C



M6

X4