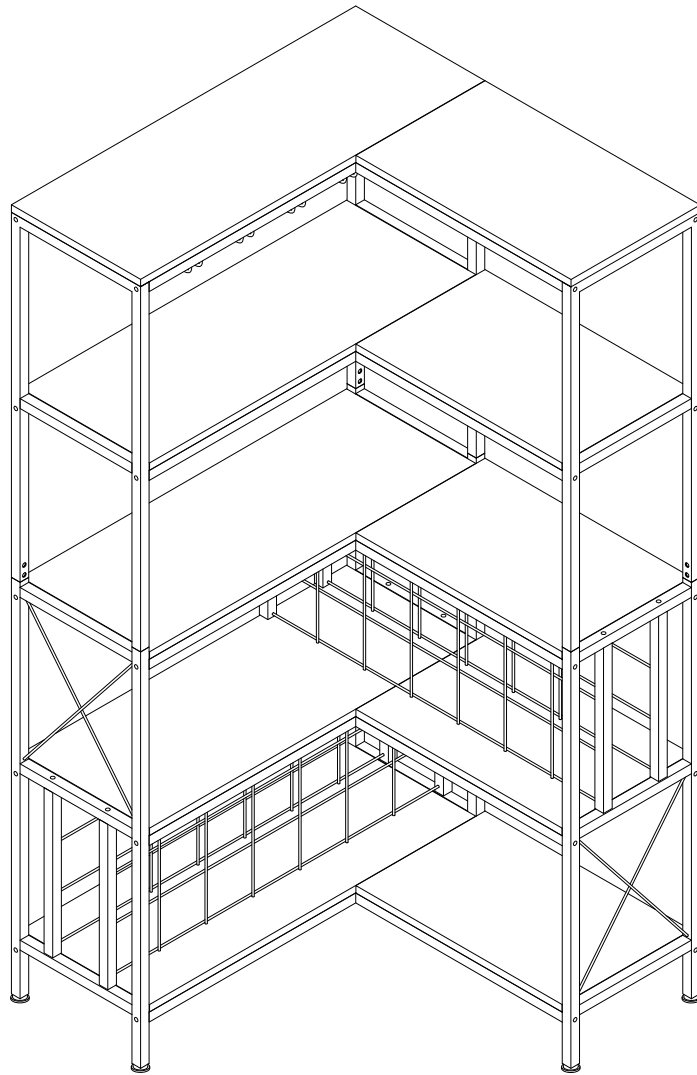
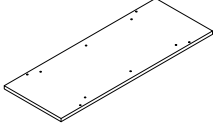
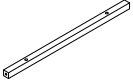
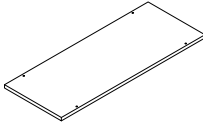
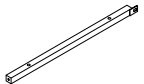
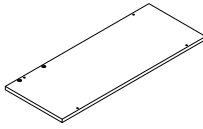
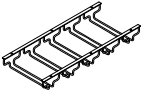
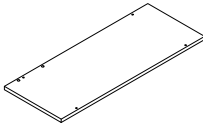
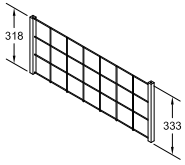
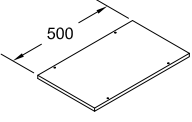
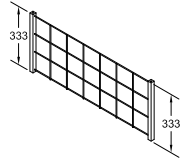
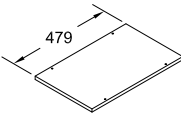
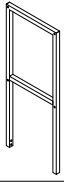
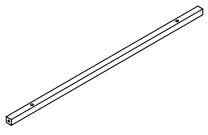
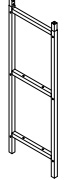
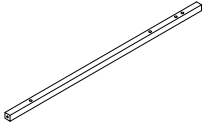
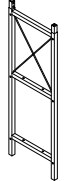
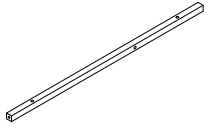
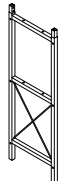
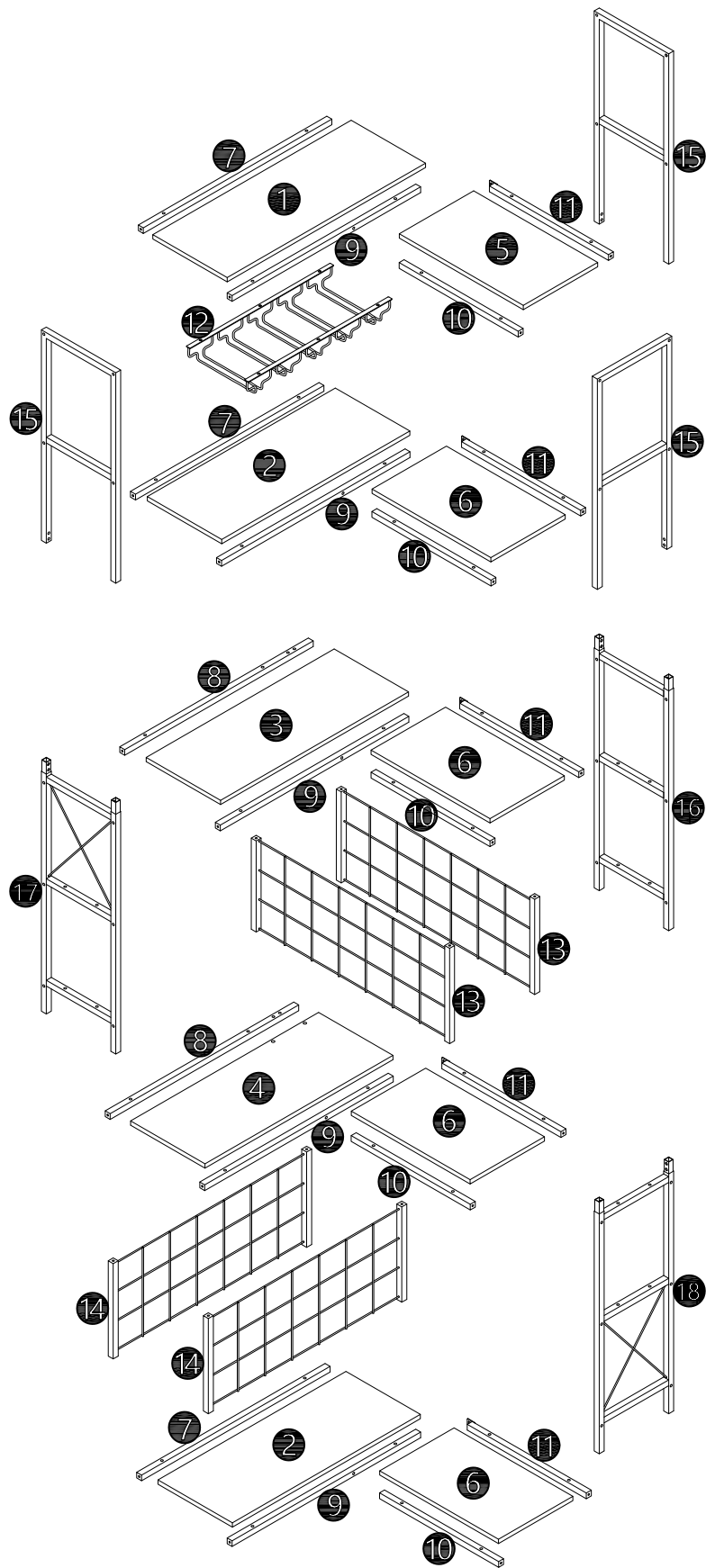


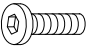
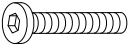

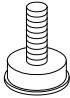
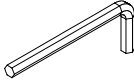
SKU:WF325112



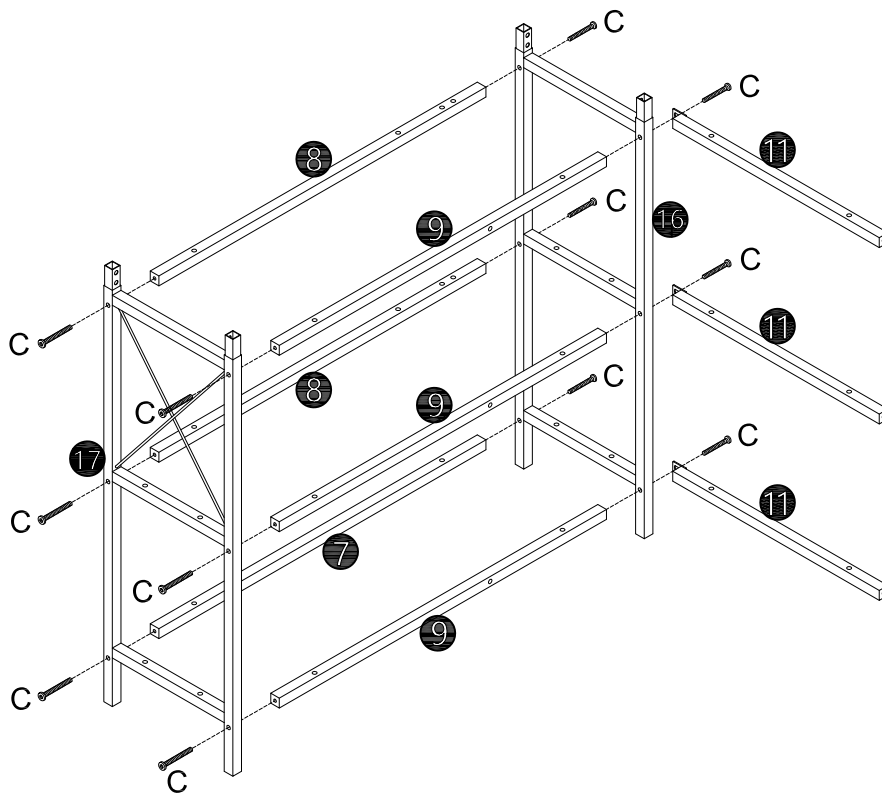
PARTS LISTS


NO.	DESCRIPTION	SKETCH	QTY	NO.	DESCRIPTION	SKETCH	QTY
①	Left top plate		1pc	⑩	Right front connecting rod		5pcs
②	Left layer board 1		2pcs	⑪	Right rear link		5pcs
③	Left layer board 2		1pc	⑫	Wine glass holder		1pc
④	Left layer board 4		1pc	⑬	Middle bottle rack		2pcs
⑤	Right top plate		1pc	⑭	Bottom bottle rack		2pcs
⑥	Right layer board		4pcs	⑮	Left and right middle and upper frames		3pcs
⑦	Left rear link 1		3pcs	⑯	Middle and lower boxes		1pc
⑧	Left rear connecting rod 2		2pcs	⑰	Left lower frame		1pc
⑨	Left front connecting rod		5pcs	⑱	Right lower frame		1pc



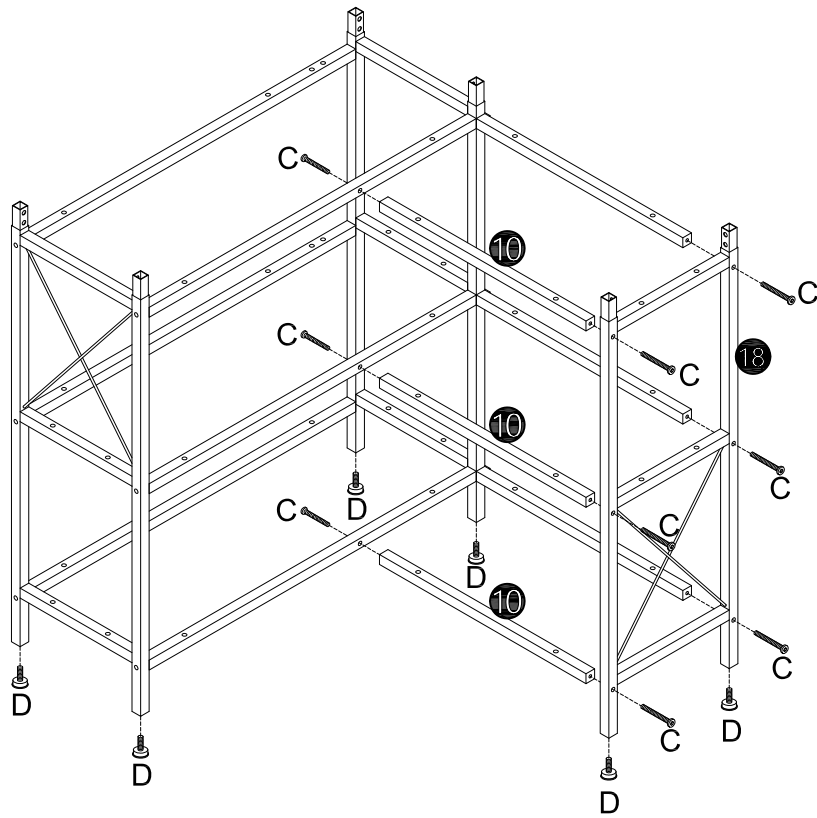
A	B	C	D	E	F
 M6x12 (18+1pc)	 M6x28 (40+4pcs)	 M6x40 (51+5pcs)	 (6+1pc)	 4mm (1pc)	

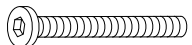
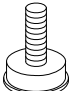
1



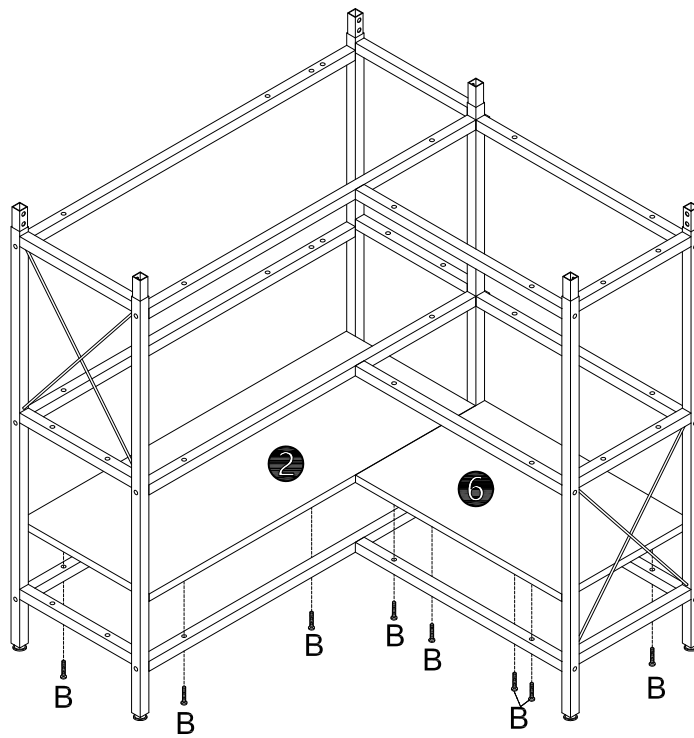
C	x12
	


2



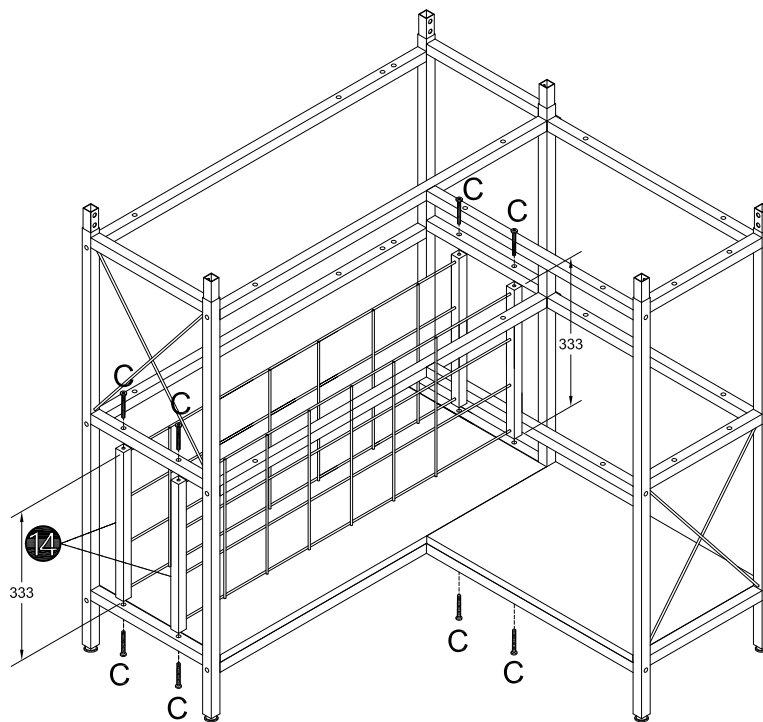
C	x9
	
D	x6
	

3



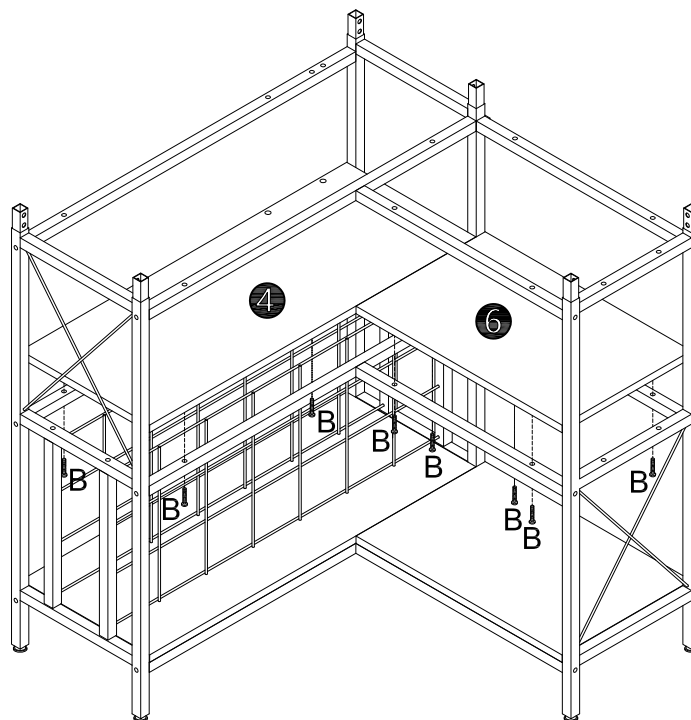
B	x8
	

4



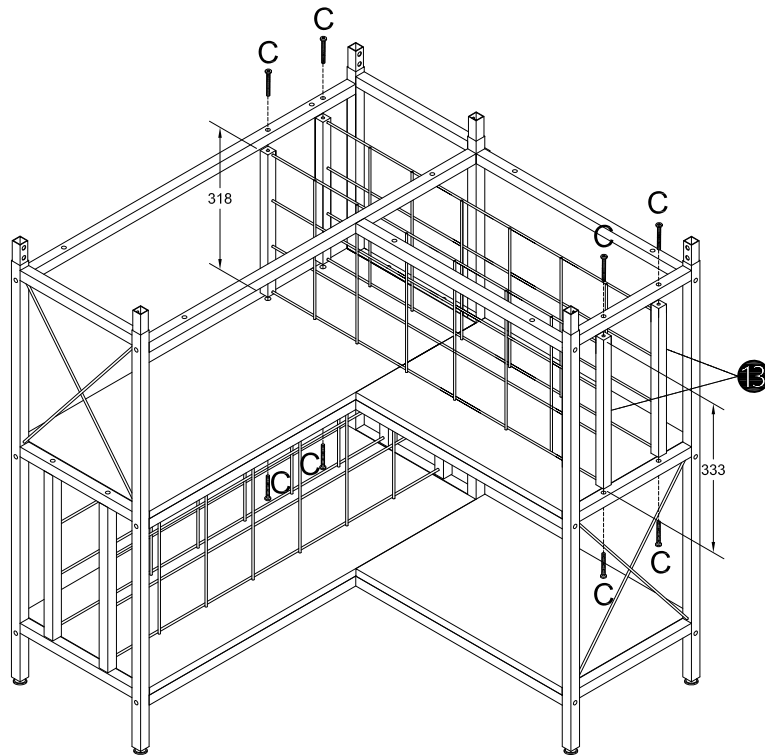
C	x8

5



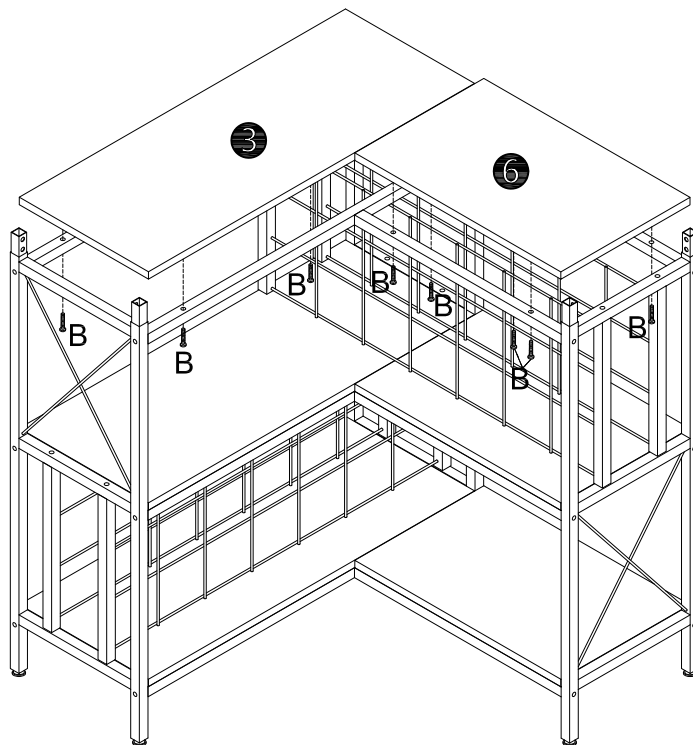
B	x8

6



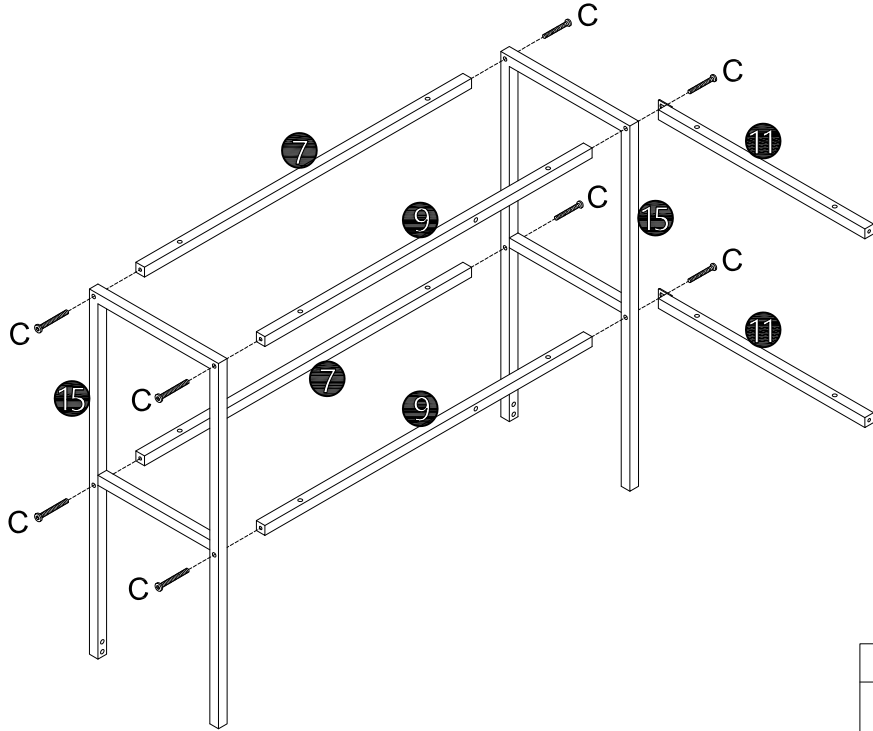
C	x8

7



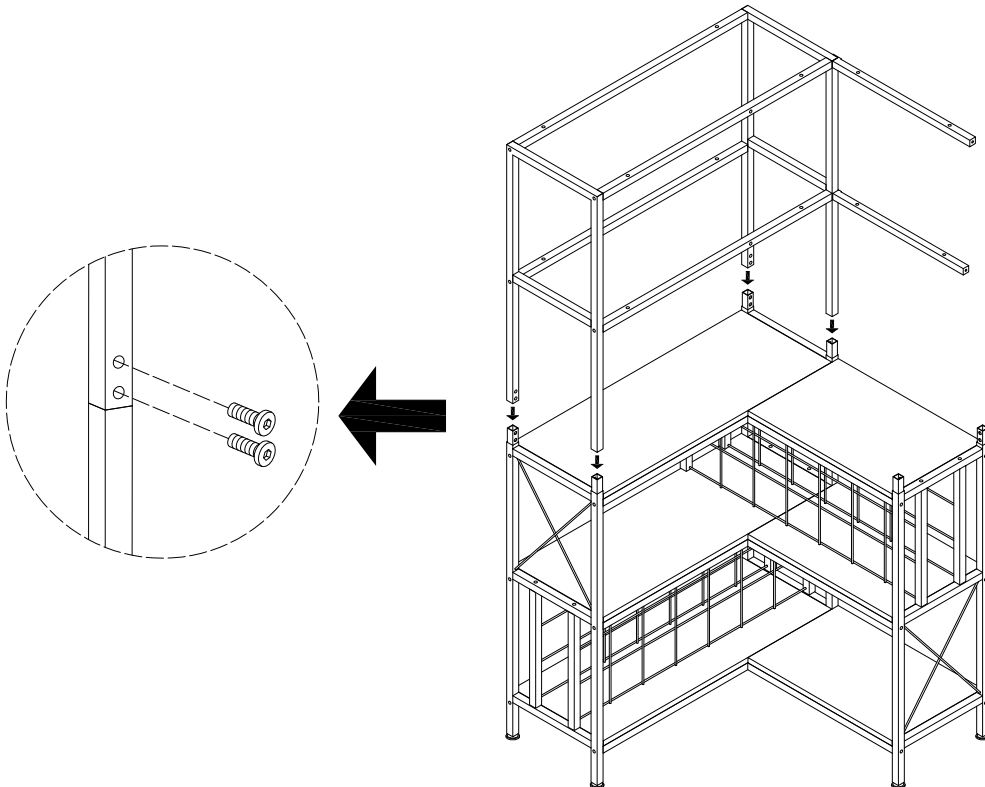
B	x8

8



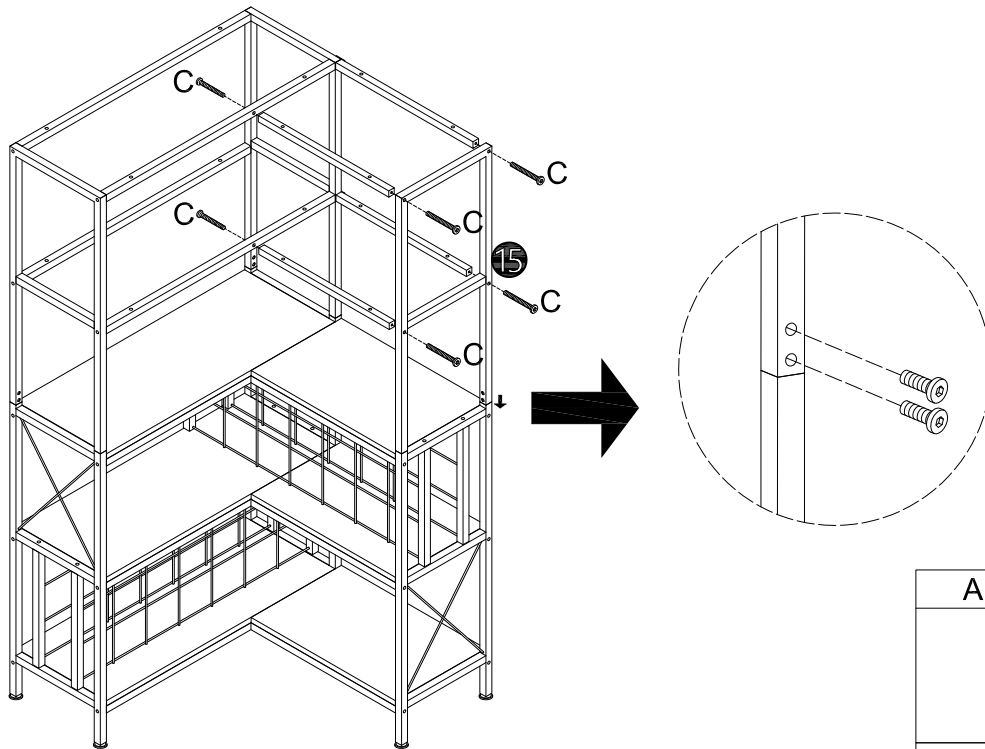
C	x8

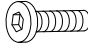

9



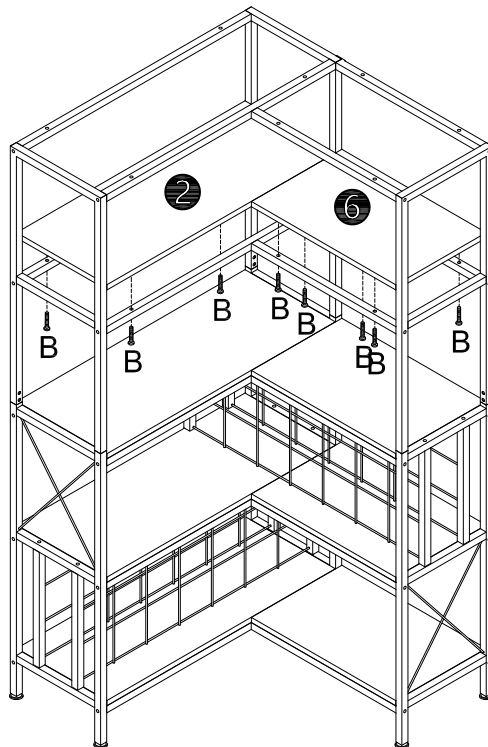
A	x8

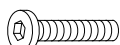
10



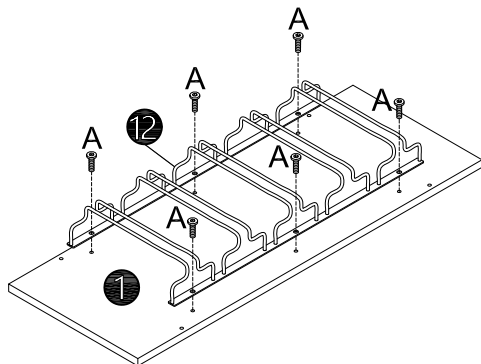
A	x4
	
C	x6
	

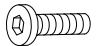
11



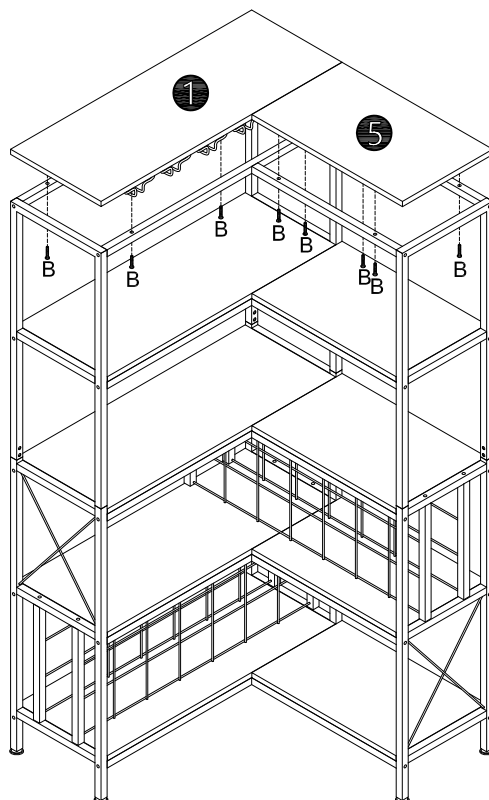
B	x8
	

12



A	x6
	

13



B	x8
