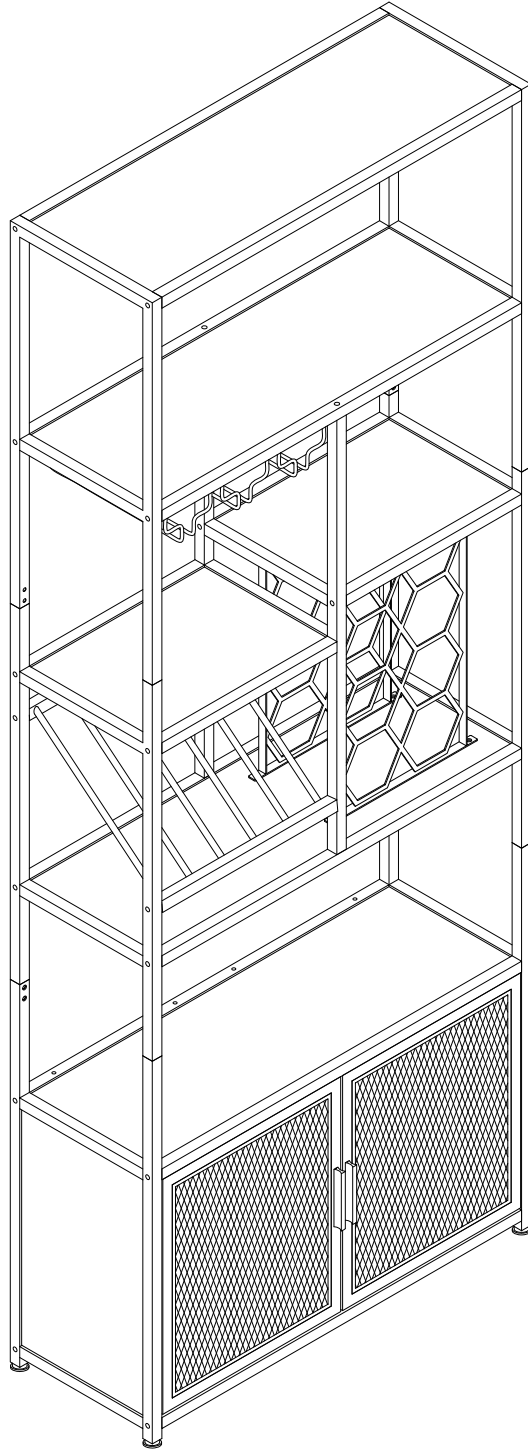
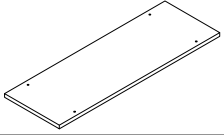
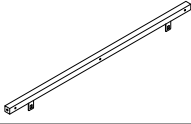
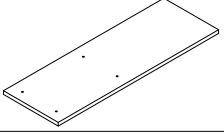
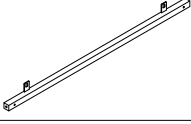
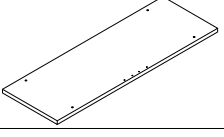
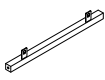
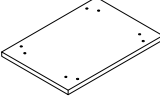
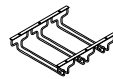
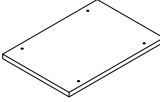
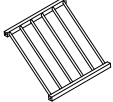
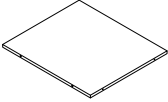
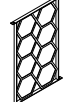
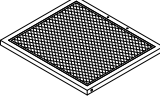
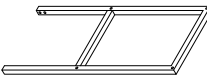
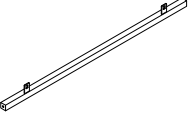
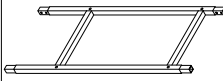
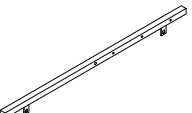
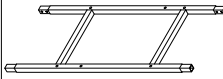
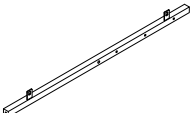

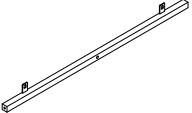
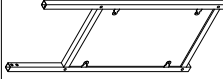
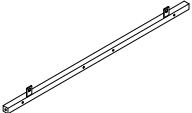
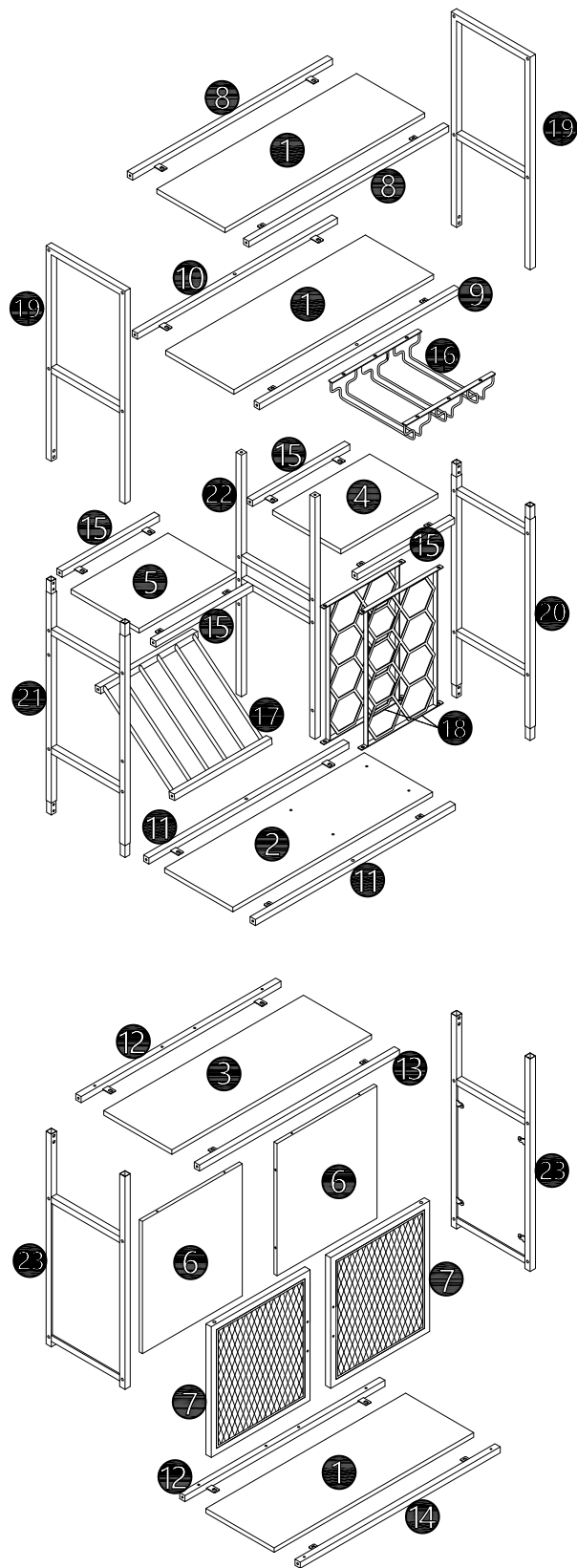


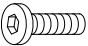


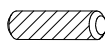

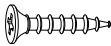
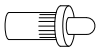
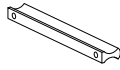
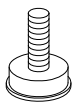
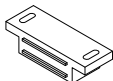
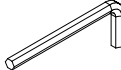
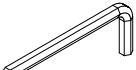
SKU:WF325111



PARTS LISTS

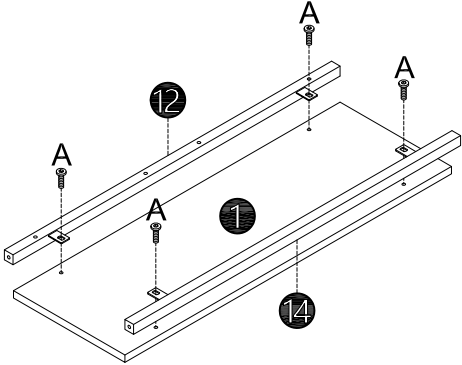
NO.	DESCRIPTION	SKETCH	QTY	NO.	DESCRIPTION	SKETCH	QTY
①	Layer board 1		3pcs	⑬	Cabinet front connecting rod (upper)		1pc
②	Layer 2		1pc	⑭	Cabinet front connecting rod (lower)		1pc
③	Layer 3		1pc	⑮	Short lever		4pcs
④	Left side small side panel		1pc	⑯	Wine glass holder		1pc
⑤	Right side small side panel		1pc	⑰	Tan talus1		1pc
⑥	Back board		2pcs	⑱	Tan talus2		2pcs
⑦	Cabinet door		2pcs	⑲	Upper box		2pcs
⑧	Top connecting rod		2pcs	⑳	Left middle box		1pc
⑨	Middle upper front		1pc	㉑	Right middle box		1pc
⑩	Middle upper rear connecting rod		1pc	㉒	Neutral box		1pc
⑪	Middle and lower connecting rod		2pcs	㉓	Left and right lower framer		2pcs
⑫	Cabinet rear connecting rod (upper and lower)		2pcs				




<p>A</p>  <p>M6x12 (58+5pcs)</p>	<p>B</p>  <p>M6x40 (36+3pcs)</p>	<p>C</p>  <p>Ø5x40 (8+1pc)</p>	<p>D</p>  <p>Ø8x30 (2+1pc)</p>	<p>E</p>  <p>M4x22 (4+1pc)</p>	<p>F</p>  <p>Ø3.5x15 (4+1pc)</p>
<p>G</p>  <p>(4+1pc)</p>	<p>H</p>  <p>(2pcs)</p>	<p>I</p>  <p>(4+1pc)</p>	<p>J</p>  <p>(2pcs)</p>	<p>K</p>  <p>3mm (1pc)</p>	<p>L</p>  <p>4mm (1pc)</p>

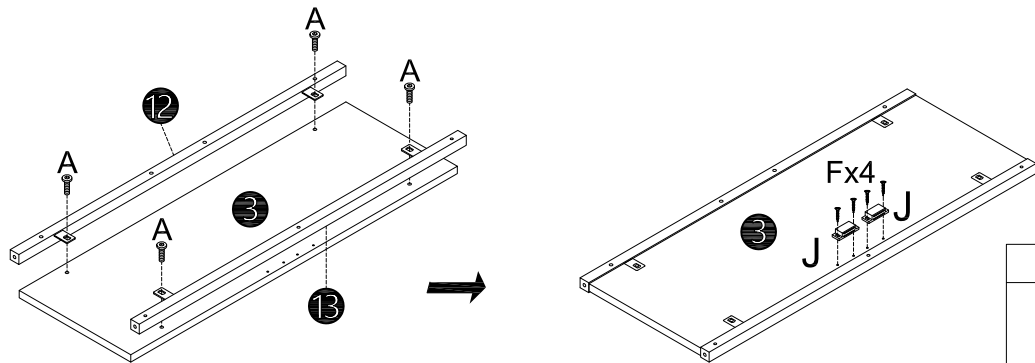


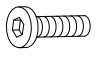
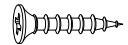
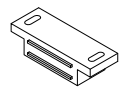
1



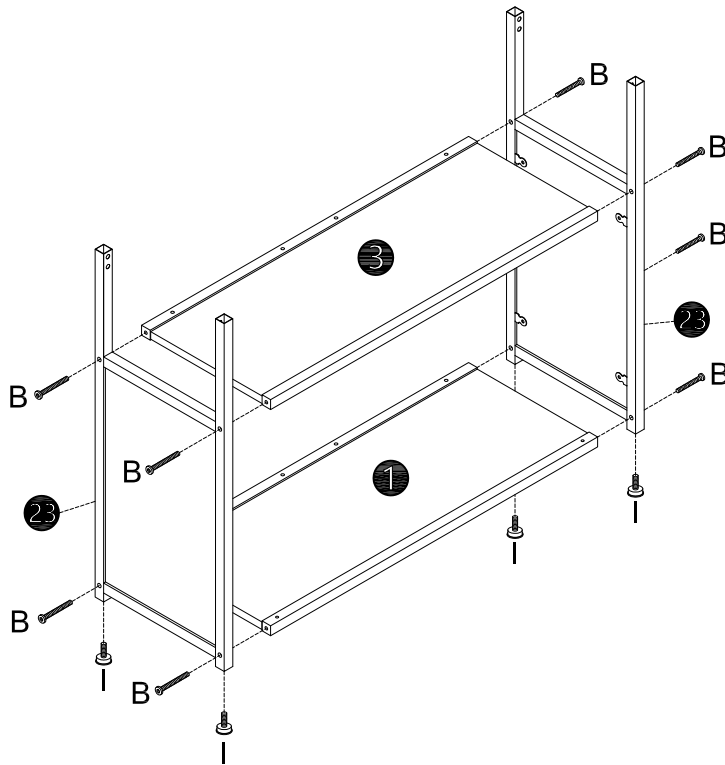
A	x4
	

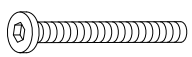
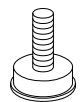
2



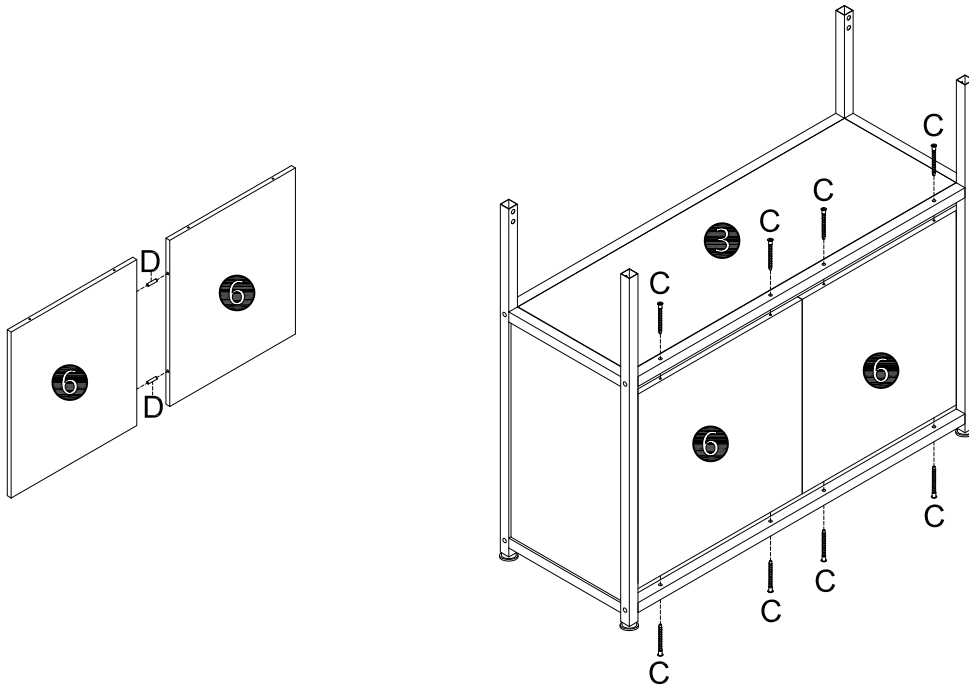
A	x4
	
F	x4
	
J	x2
	

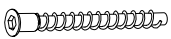

3



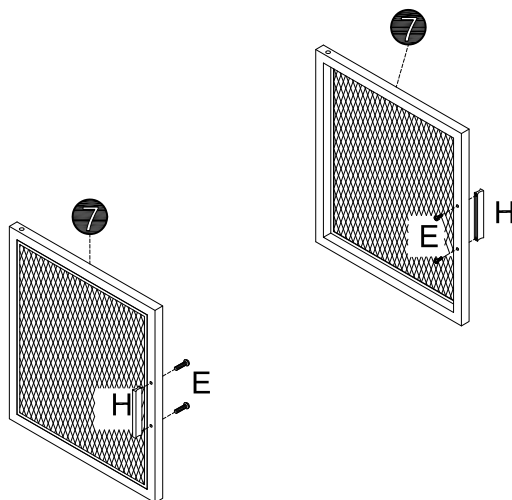
B	x8
	
I	x4
	


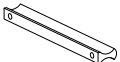
4



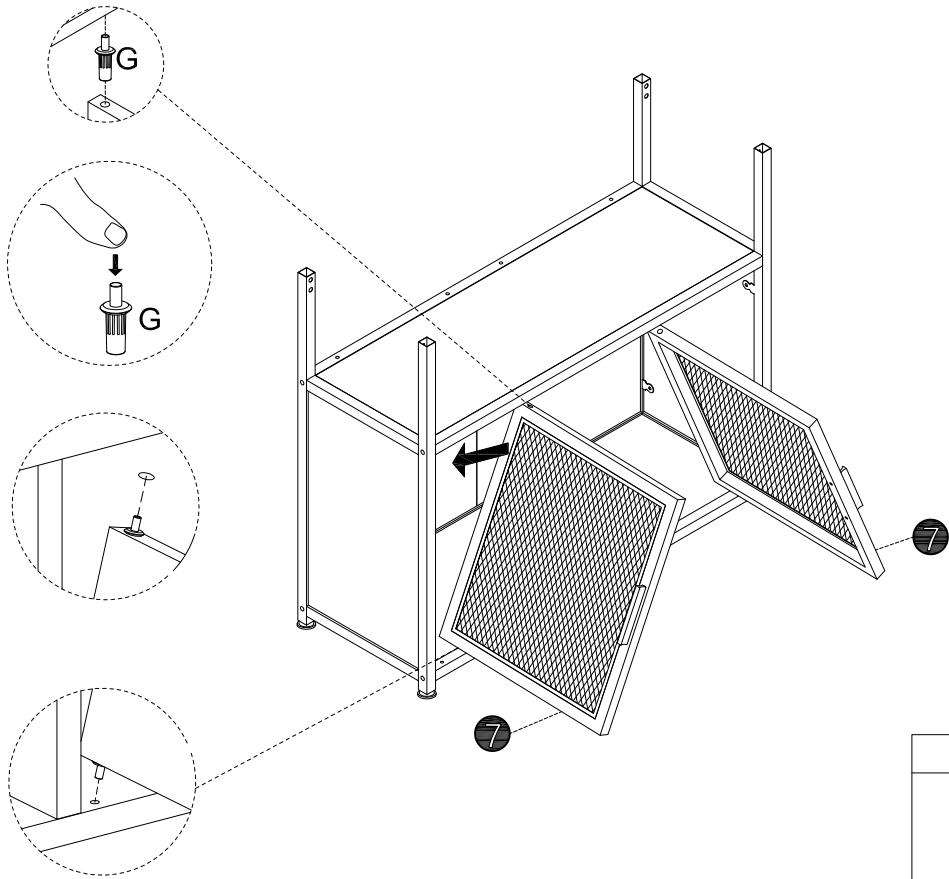
C	x8
	
D	x2
	

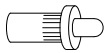
5



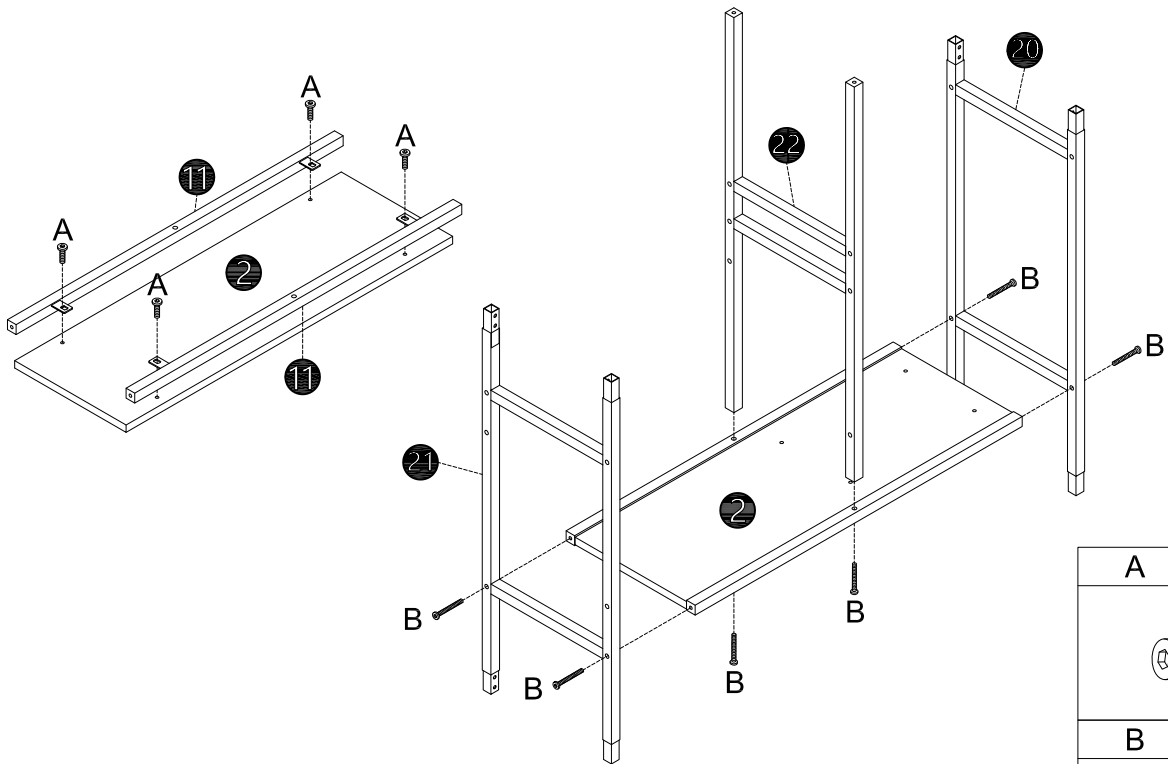
E	x4
	
H	x2
	

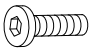

6



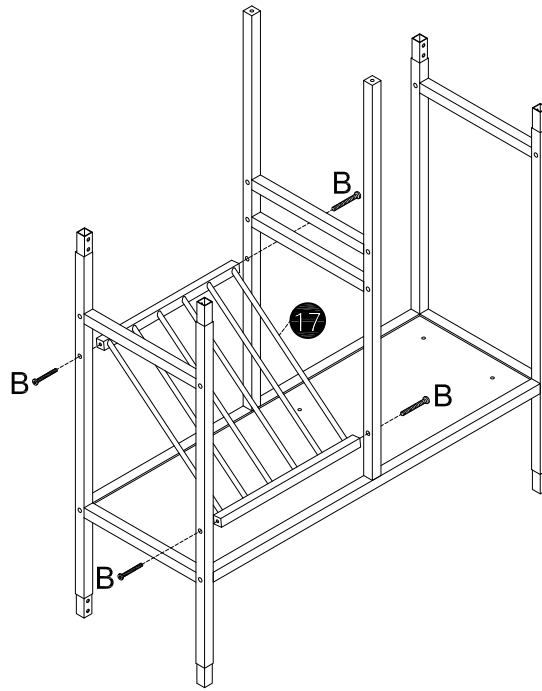
G	x4
	

7



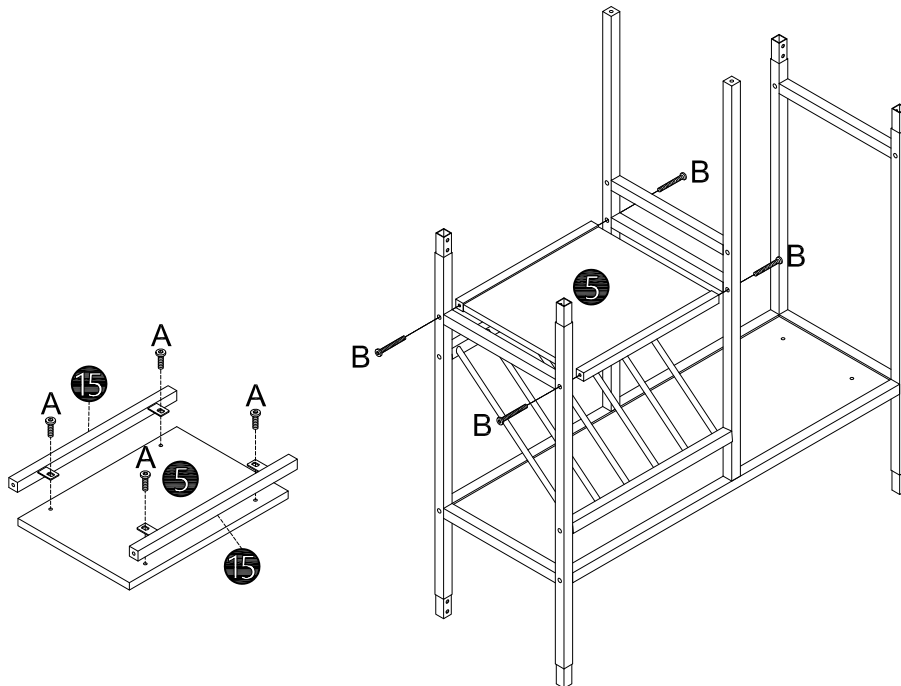
A	x4
	
B	x6
	

8



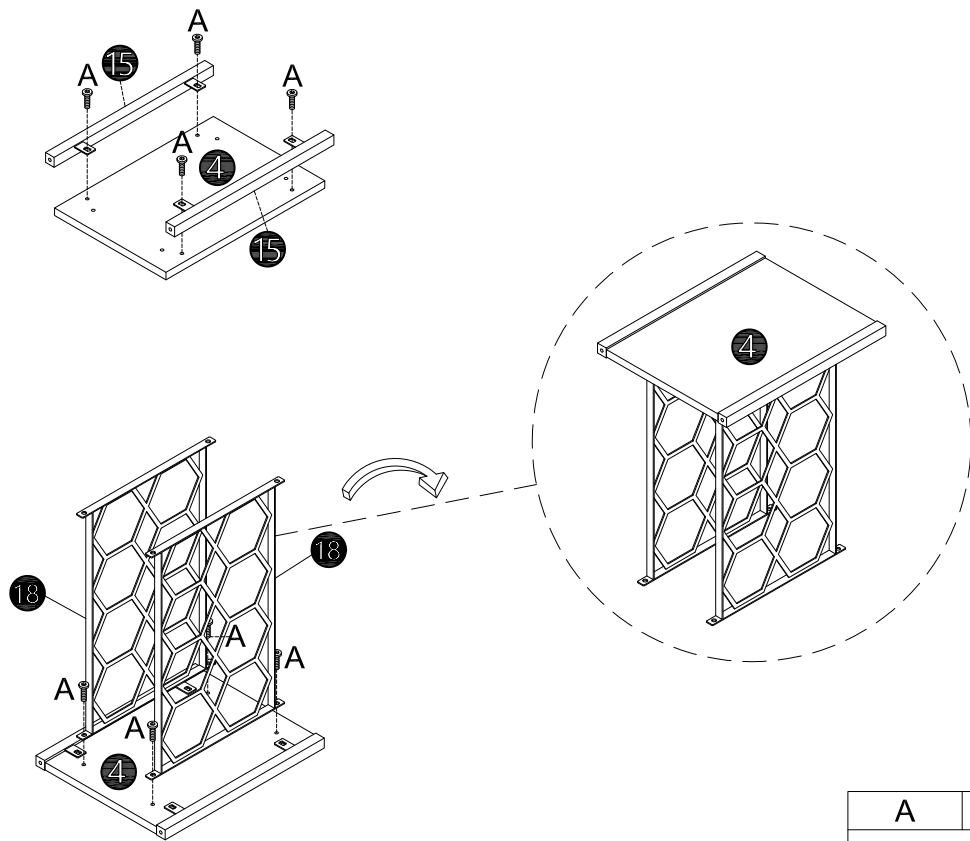
B	x4

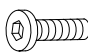
9



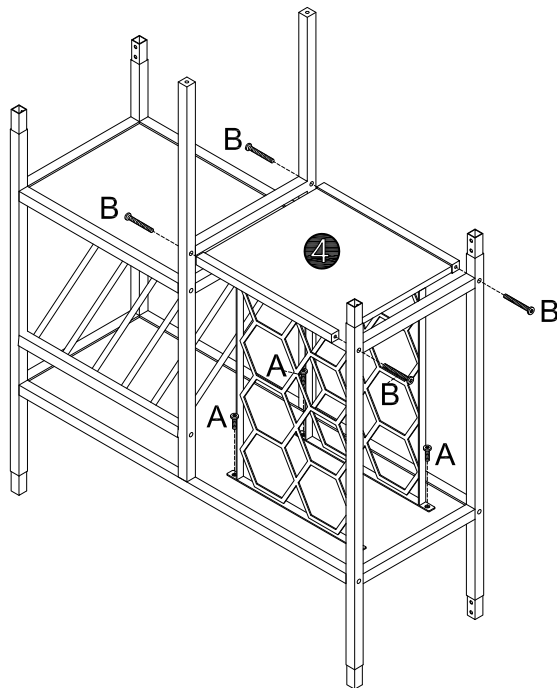
A	x4
B	x4

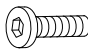

10



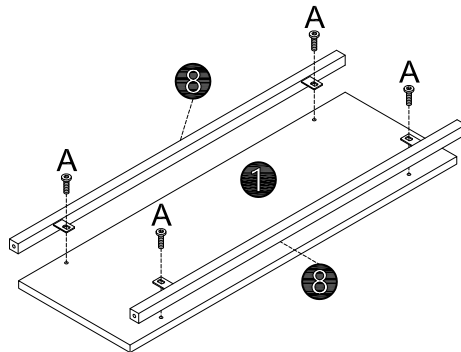
A	x8
	

11



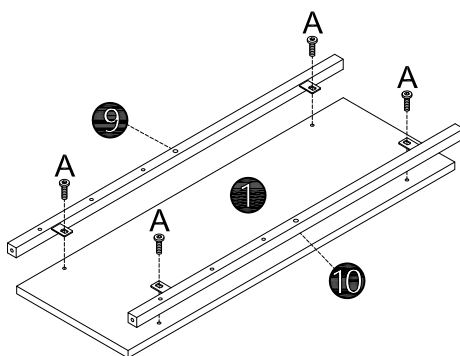
A	x4
	
B	x4
	

12



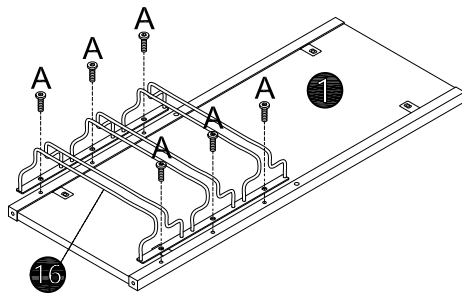
A	x4

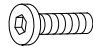
13



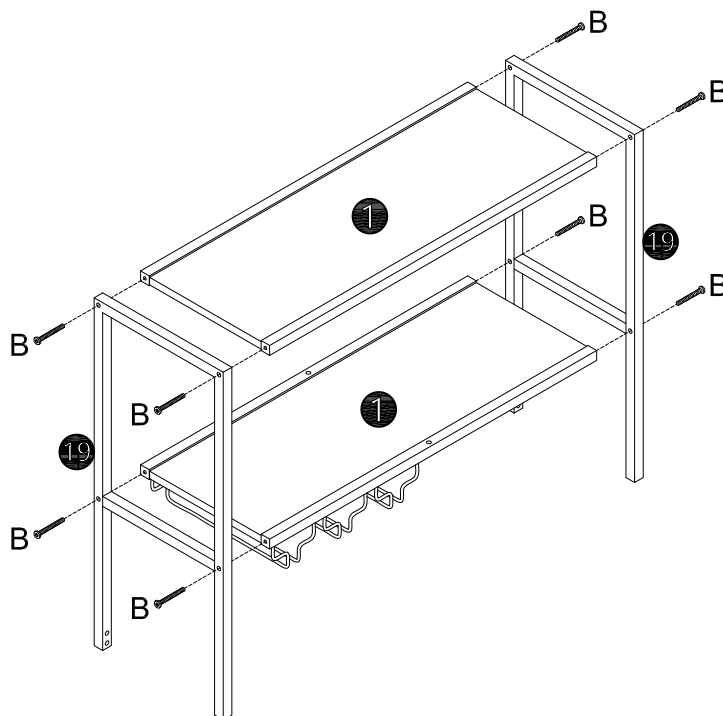
A	x4

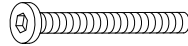
14



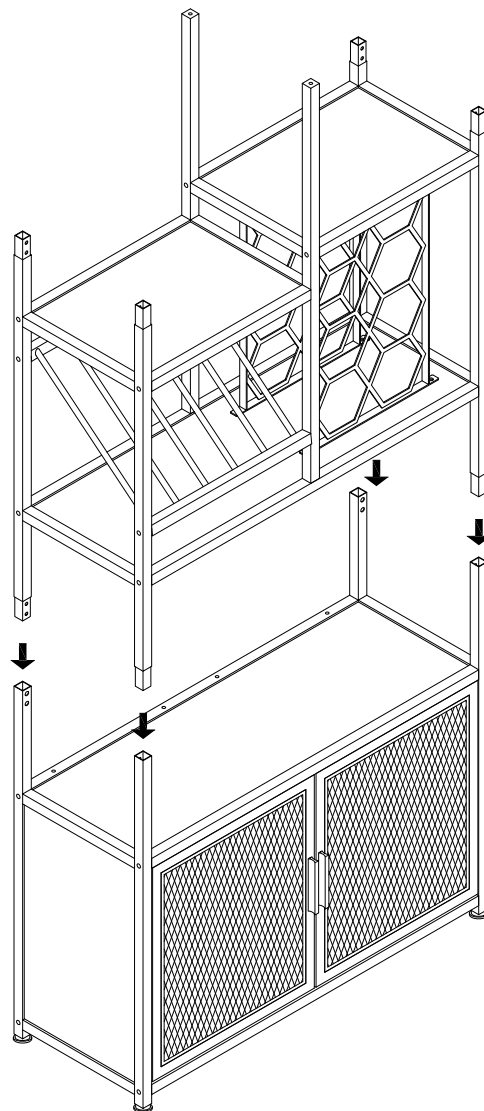
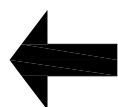
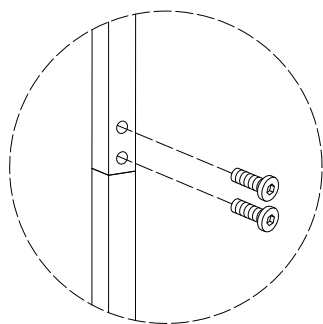
A	x6
	

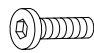
15



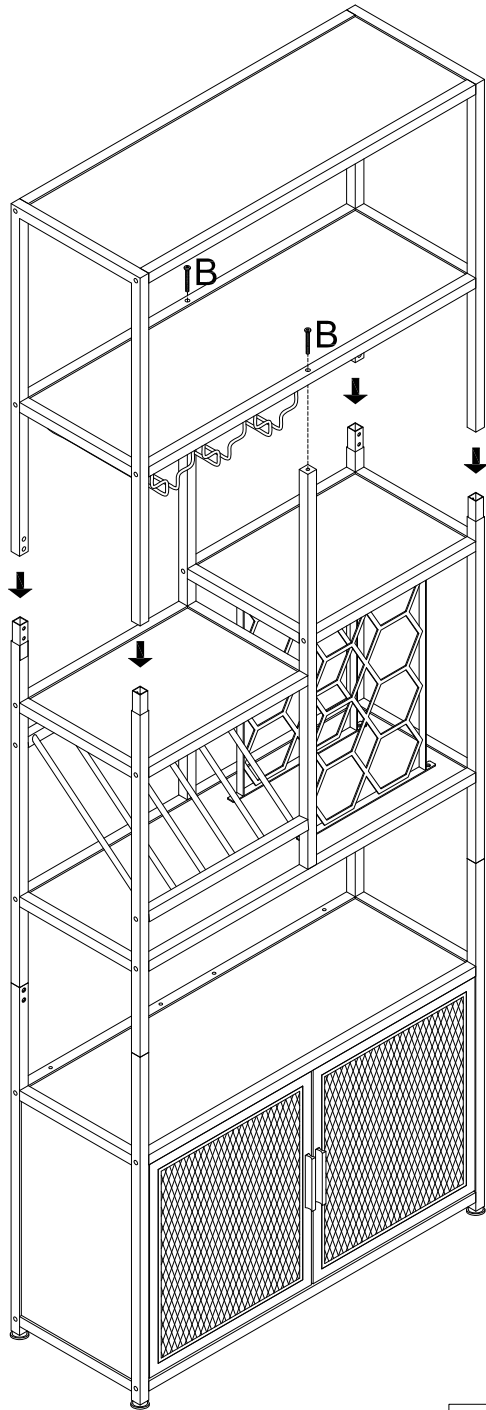
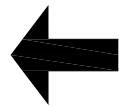
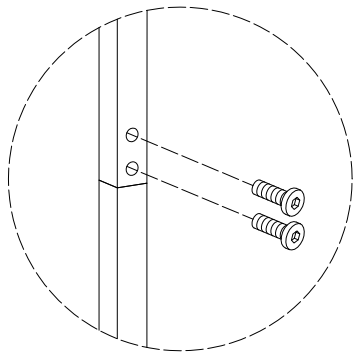
B	x8
	


16



A	x8
	

17



A	x8
	
B	x2
