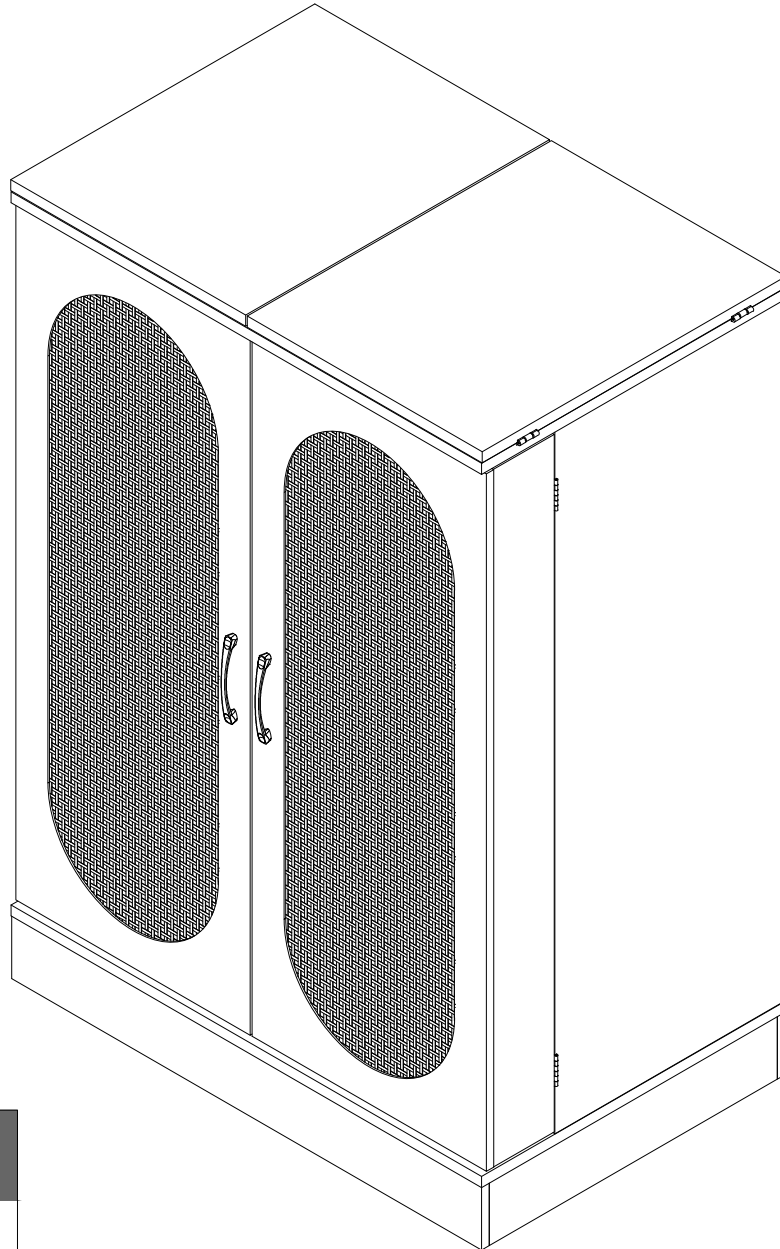


# Bar Cabinet

Assembly Instructions - Please keep for future reference



## Dimensions

Width-28.9inch

Depth-18.7inch

Height-41.9inch

**Important-Please read these instructions fully before starting assembly**



# Safety and Care Advice

**Important – Please read these instructions fully before starting assembly**

- Check you have all the components and tools listed on the following pages.
- Remove all fittings from the plastic bags and separate them into their groups.
- Keep children and animals away from the work area, small parts could choke if swallowed.
- Make sure you have enough space to layout the parts before starting.

- During assembly do not stand or put weight on the product, this could cause damage.
- Assemble the item as close to its final position (in the same room) as possible.
- Assemble on a soft level surface to avoid damaging the unit or your floor.
- Parts of the assembly will be easier with 2 people.



power drill is set on a low torque setting.

- To reduce the likelihood of damaging your product please ensure that your

## Care and maintenance

- Only clean using a damp cloth and mild detergent, do not use bleach or abrasive cleaners.
- From time to time check that there are no loose screws on this unit.
- This product should not be discarded with household waste. Take to your local authority waste disposal centre.

## Handy Hints

- Assemble all parts and bolts loosely during assembly, only once the product is complete should you fully tighten the bolts
- Regularly check and ensure That all bolts and fittings are tightend properly.

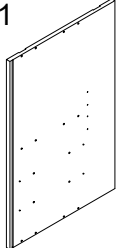
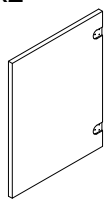


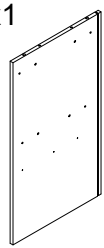
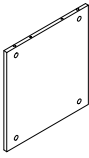

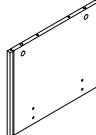


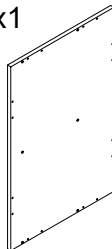



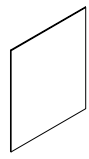






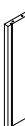
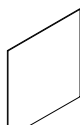
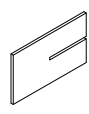
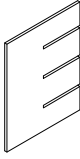
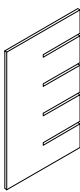
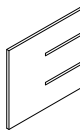


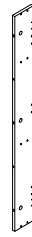




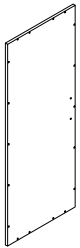
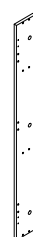


**WARNING**  
**In order to help prevent overturning – please follow these instructions**

To help prevent product toppling over please follow the below steps:-

- Use the anti tip stap or wall fixing method provided (if applicable)
- Do not allow children to climb or hang on the furniture
- Do not open more than one drawer at a time
- Do not place heavy items in the top drawers
- Do not place heavy items on top of the furniture, unless the furniture has been designed for this purpose

# Components - Fittinas

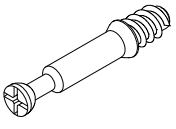

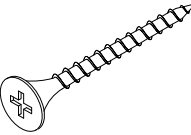
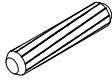
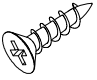
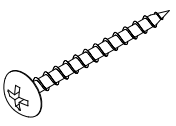
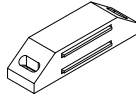
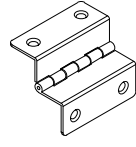
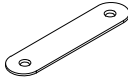
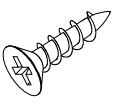
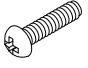
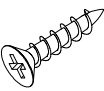




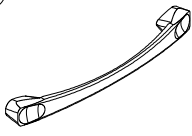
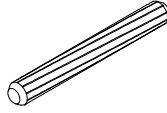
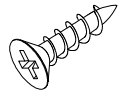
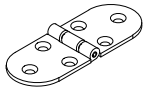
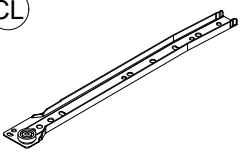
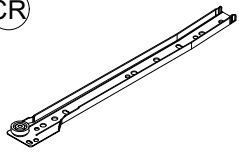
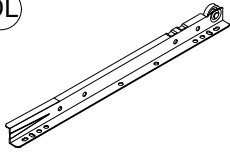
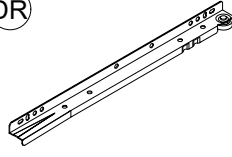
Please check you have all the panels listed below

<p>① x1</p>  <p>735x475x15mm</p>	<p>② x2</p>  <p>367x475x15mm</p>	<p>③ x1</p>  <p>950x360x12mm</p>	<p>④ x1</p>  <p>950x360x12mm</p>	<p>⑤ x1</p>  <p>641x358x12mm</p>	<p>⑥ x1</p>  <p>349x342x12mm</p>	
<p>⑦ x1</p>  <p>710x359x12mm</p>	<p>⑧ x1</p>  <p>297x358x12mm</p>	<p>⑨ x2</p>  <p>349x75x12mm</p>	<p>⑩ x2</p>  <p>349x75x12mm</p>	<p>⑪ x1</p>  <p>735x475x15mm</p>	<p>⑫ x2</p>  <p>734x85x12mm</p>	
<p>⑬ x2</p>  <p>450x85x12mm</p>	<p>⑭ x2</p>  <p>648x356x2.5mm</p>	<p>⑮ x2</p>  <p>304x356x2.5mm</p>	<p>⑯ x2</p>  <p>341x45x12mm</p>	<p>⑰ x2</p>  <p>340x45x12mm</p>	<p>⑱ x2</p>  <p>341x80x12mm</p>	<p>⑲ x1</p>  <p>343x115x12mm</p>
<p>⑳ x1</p>  <p>297x75x12mm</p>	<p>㉑ x1</p>  <p>297x75x12mm</p>	<p>㉒ x1</p>  <p>300x75x12mm</p>	<p>㉓ x1</p>  <p>307x292x2.5mm</p>	<p>㉔ x2</p>  <p>174x297x9mm</p>	<p>㉕ x2</p>  <p>379x297x9mm</p>	<p>㉖ x5</p>  <p>483x297x9mm</p>
<p>㉗ x2</p>  <p>276x297x9mm</p>	<p>㉘ x1</p>  <p>943x366x13mm</p>	<p>㉙ x1</p>  <p>943x95x12mm</p>	<p>㉚ x1</p>  <p>943x95x12mm</p>	<p>㉛ x1</p>  <p>341x94x12mm</p>	<p>㉜ x6</p>  <p>341x45x12mm</p>	
<p>㉝ x4</p>  <p>341x94x12mm</p>	<p>㉞ x2</p>  <p>341x94x12mm</p>	<p>㉟ x1</p>  <p>943x366x13mm</p>	<p>㊱ x1</p>  <p>943x95x12mm</p>	<p>㊲ x1</p>  <p>943x95x12mm</p>	<p>㊳ x1</p>  <p>341x94x12mm</p>	

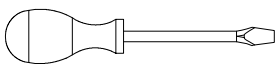
# Components - Fittinas

Please check you have all the panels listed below

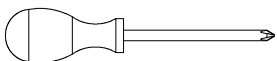
Note : The quantitie below are the correct amount to complete the assembly . In some cases more fittings may be supplied than are required.

<p><b>A</b></p>  <p>Ø6*35mm Cam Bolt x 70+2</p>	<p><b>B</b></p>  <p>Ø15*9mm Cam lock x 70+2</p>	<p><b>C</b></p>  <p>4*35mm Screw x 18+1</p>	<p><b>D</b></p>  <p>6*30mm Dowel x 110+2</p>	<p><b>E</b></p>  <p>3*12mm Screw x 16+1</p>
<p><b>F</b></p>  <p>4*35mm Screw x 4</p>	<p><b>G</b></p>  <p>Magnetic collision x 2</p>	<p><b>H</b></p>  <p>Hinge x 4</p>	<p><b>I</b></p>  <p>Iron sheet x 2</p>	<p><b>J</b></p>  <p>3.5*12mm Screw x 16+1</p>
<p><b>K</b></p>  <p>4*16mm Screw x 4</p>	<p><b>L</b></p>  <p>3*14mm Screw x 22+1</p>	<p><b>M</b></p>  <p>Plastic Nail x 16+1</p>	<p><b>N</b></p>  <p>shim x 4</p>	<p><b>O</b></p>  <p>6*30mm Wall Anchor x 2</p>
<p><b>P</b></p>  <p>Strap x 2</p>	<p><b>Q</b></p>  <p>Handle x 2</p>	<p><b>R</b></p>  <p>6*50mm Dowel x 6</p>	<p><b>S</b></p>  <p>3.5*12mm Screw Black x 24+2</p>	<p><b>T</b></p>  <p>Hinge x 4</p>
<p><b>CL</b></p>  <p>300mm Runner x 1</p>	<p><b>CR</b></p>  <p>300mm Runner x 1</p>	<p><b>DL</b></p>  <p>300mm Runner x 1</p>	<p><b>DR</b></p>  <p>300mm Runner x 1</p>	

## Tools required



Phillips screwdriver  
( medium large )

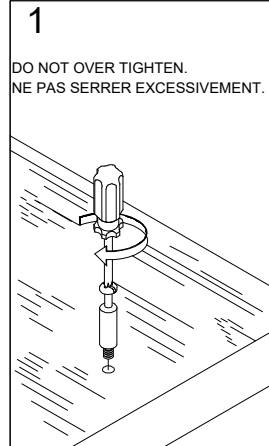




# Using Camlocks

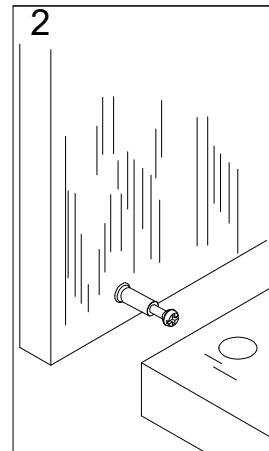
## Step 1

Connect the male camlock as directed in the assembly instructions using a screwdriver.



## Step 2

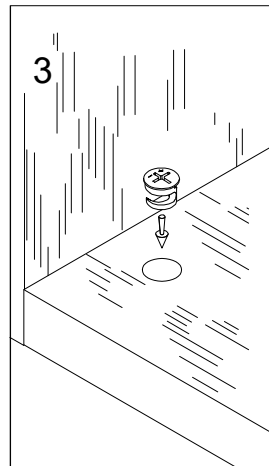
Push the male camlock into the entry hole.



## Step 3

Insert the female camlock as shown in the instruction.

Note: ensure that the arrow on the top of the camlock points towards the entry hole for the male camlock.

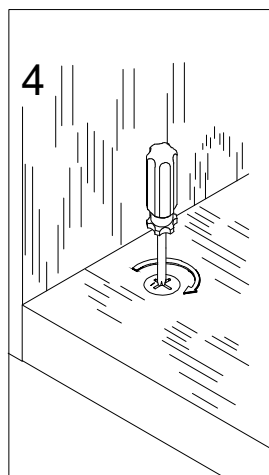


## Step 4

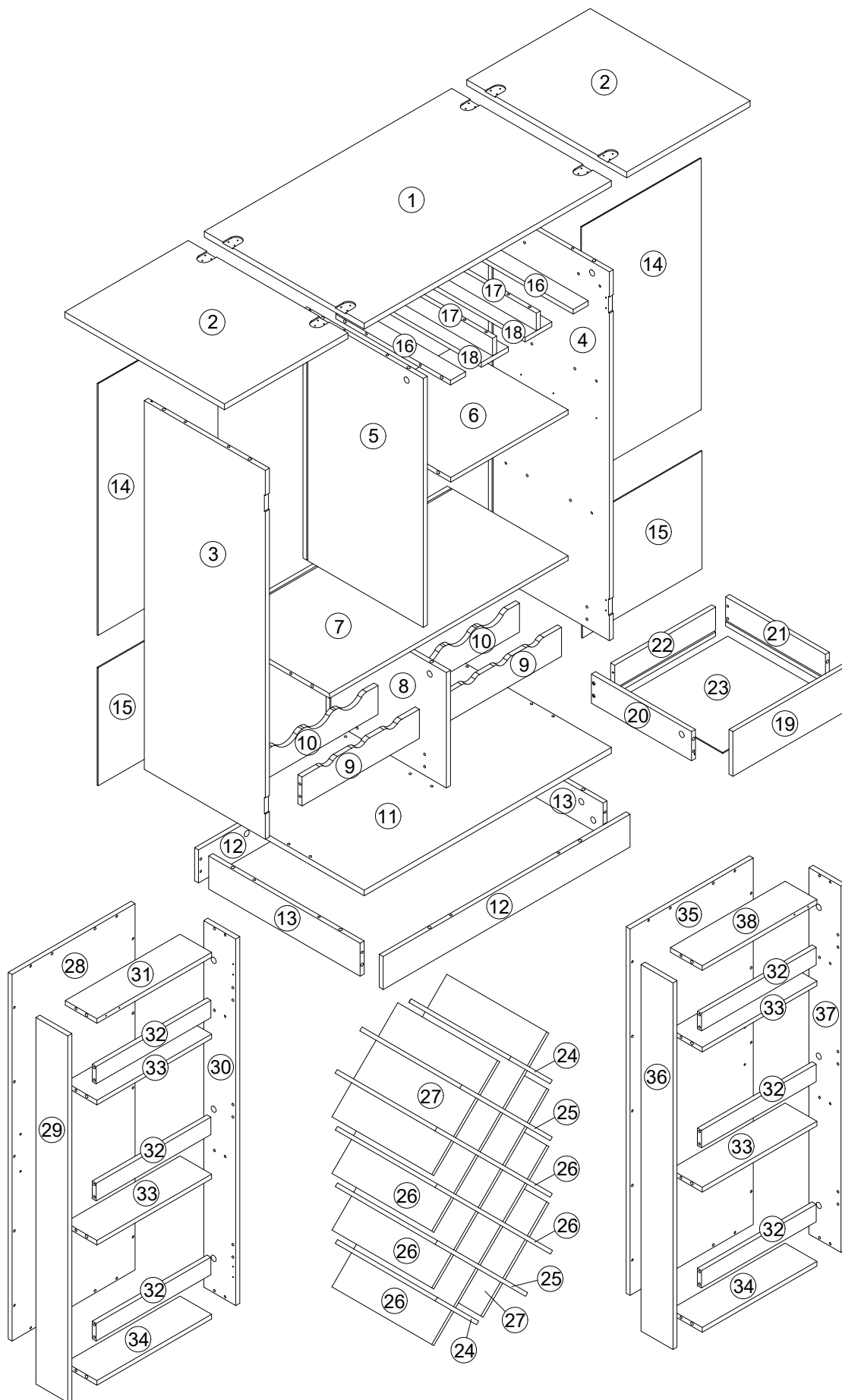
Turn the female camlock clockwise with a screwdriver.

You should feel a click when the camlock is locked in place.

The joint is now secure.

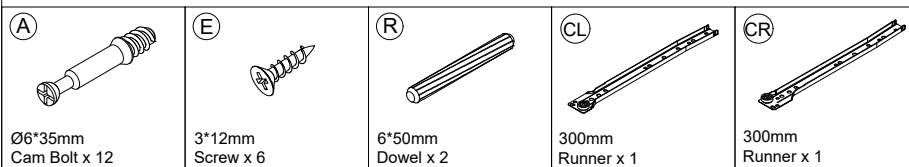
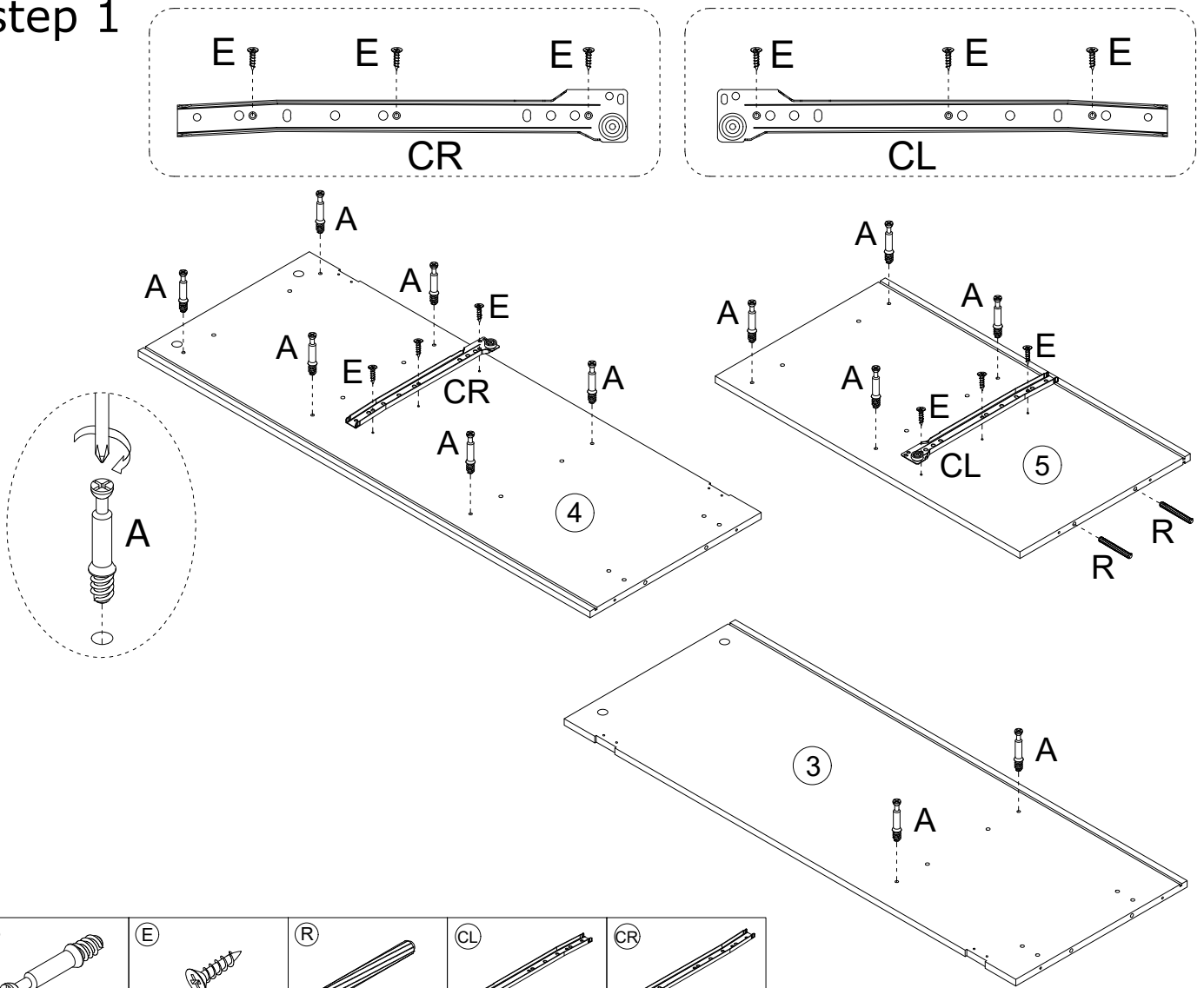


# Assembly Instructions

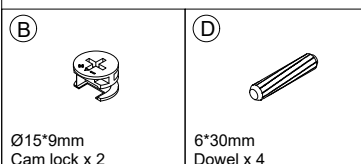
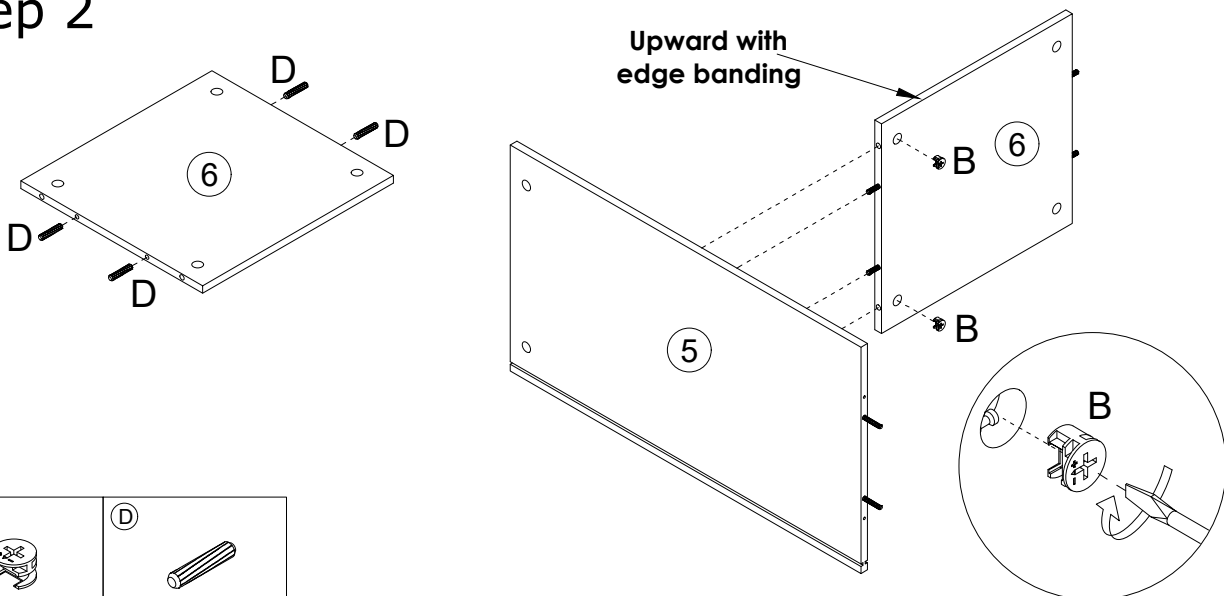


# Assembly Instructions

## step 1

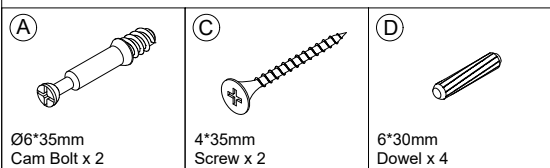
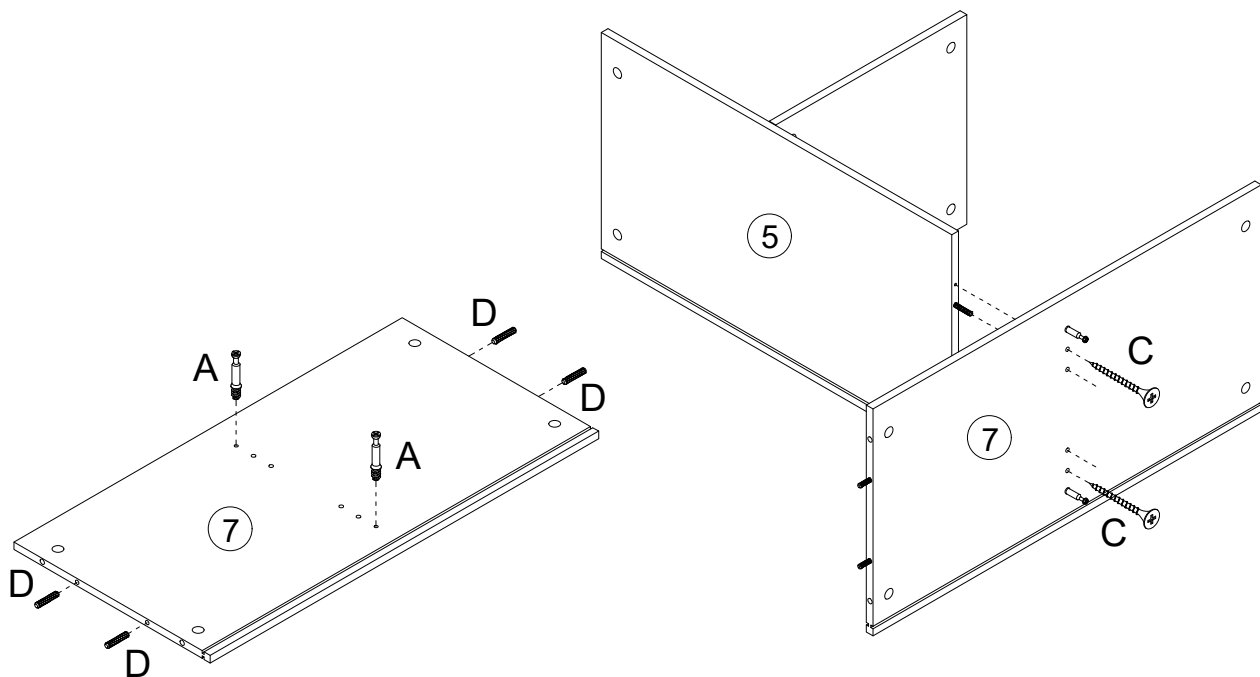


## step 2

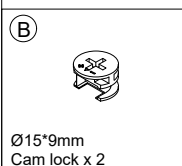
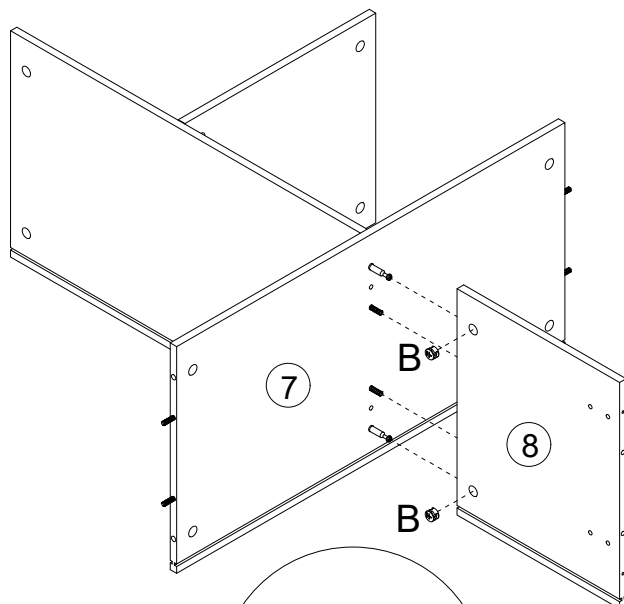


# Assembly Instructions

## step 3



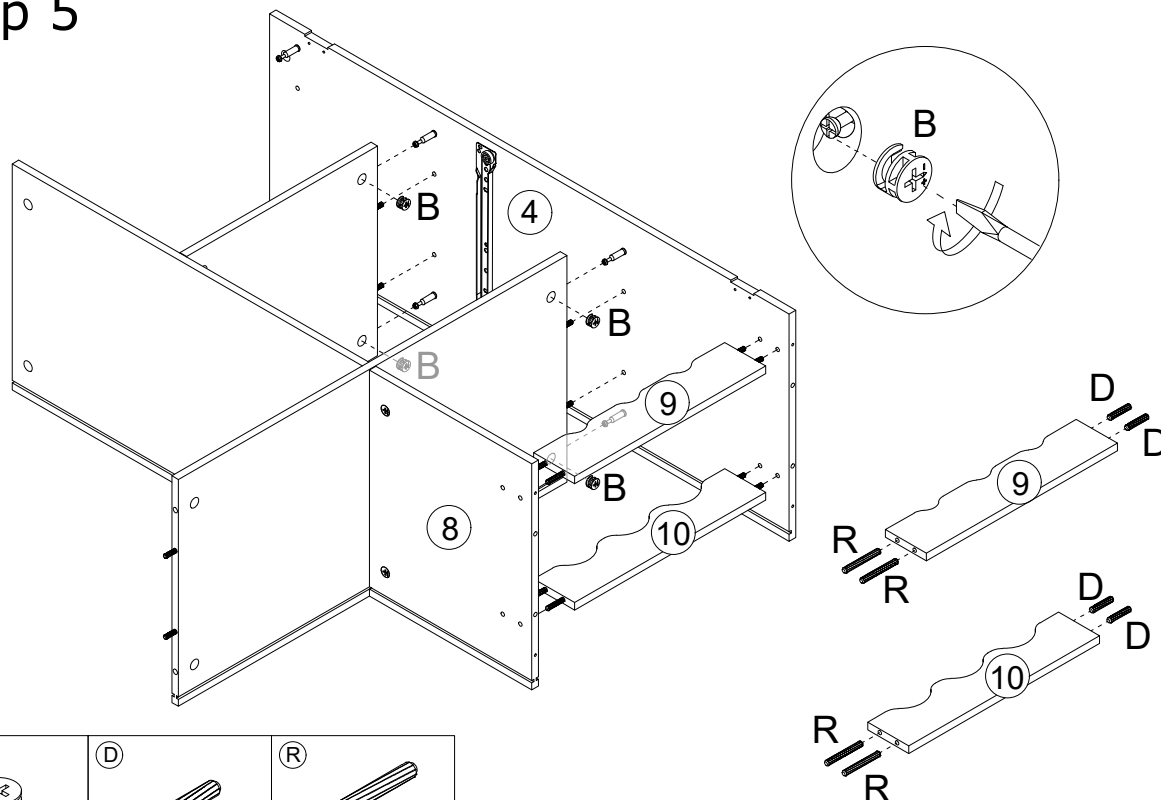
## step 4


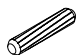
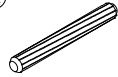


B

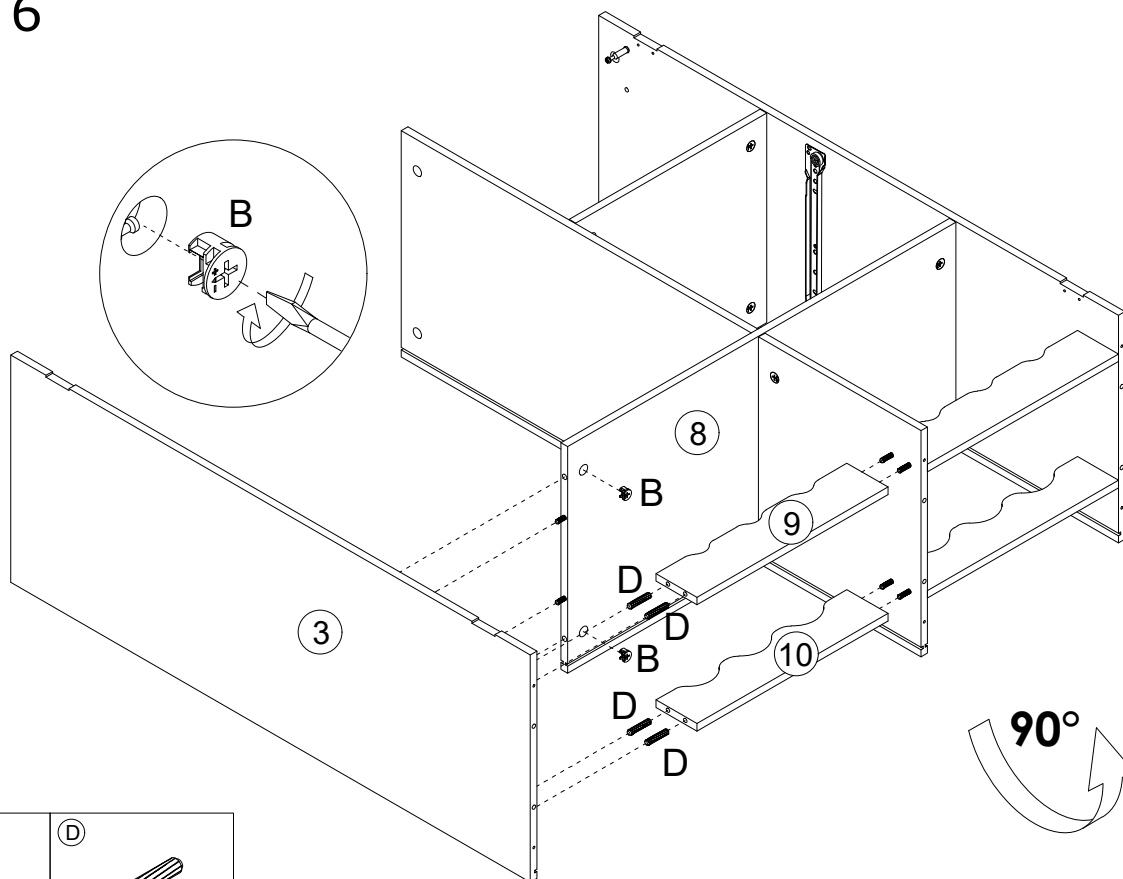
# Assembly Instructions


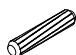
## step 5



<b>(B)</b>  Ø15*9mm Cam lock x 4	<b>(D)</b>  6*30mm Dowel x 4	<b>(R)</b>  6*50mm Dowel x 4
---	---	---

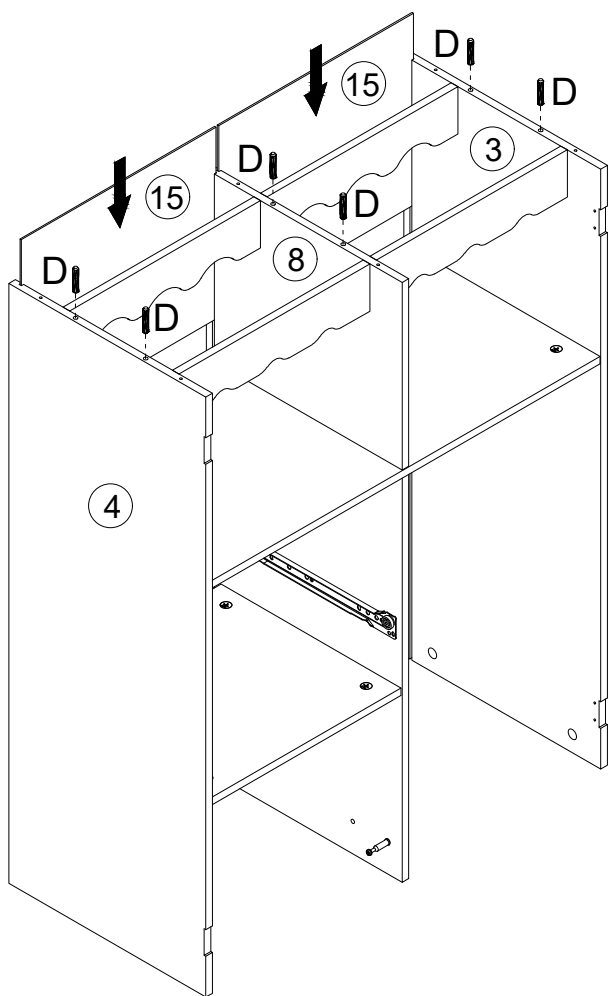
## step 6



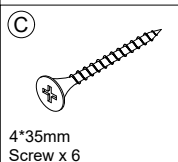
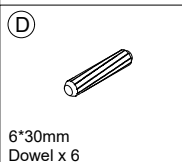
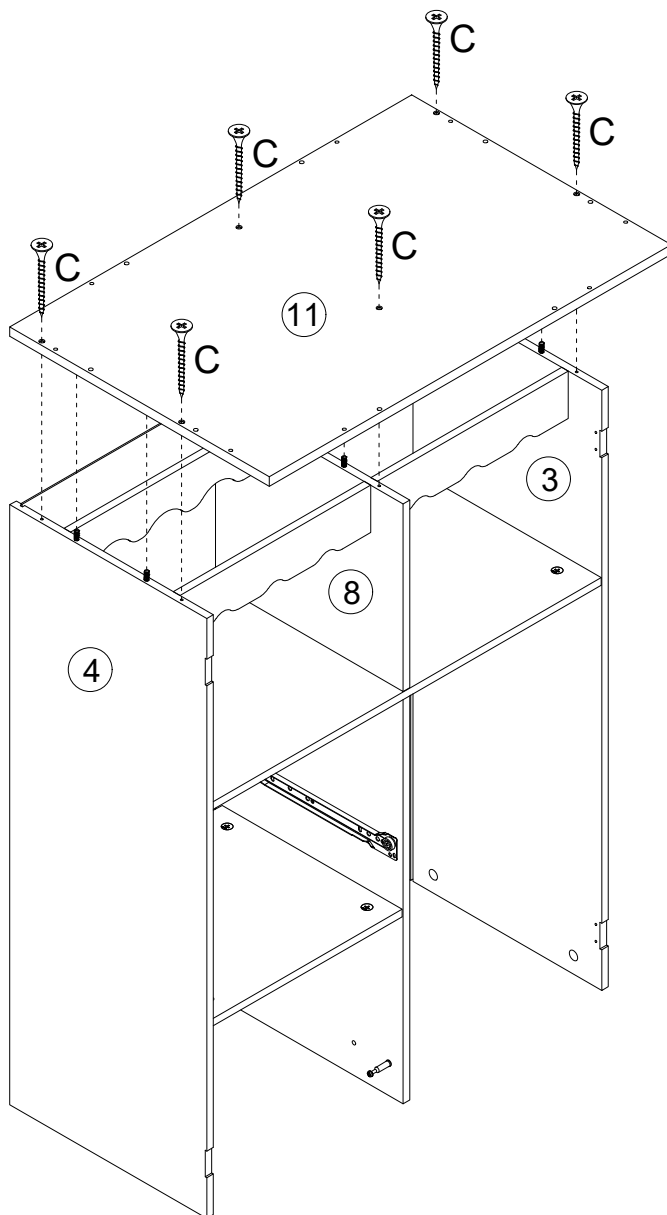
<b>(B)</b>  Ø15*9mm Cam lock x 2	<b>(D)</b>  6*30mm Dowel x 4
--	--

# Assembly Instructions

step 7

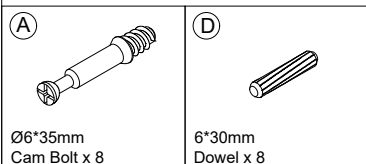
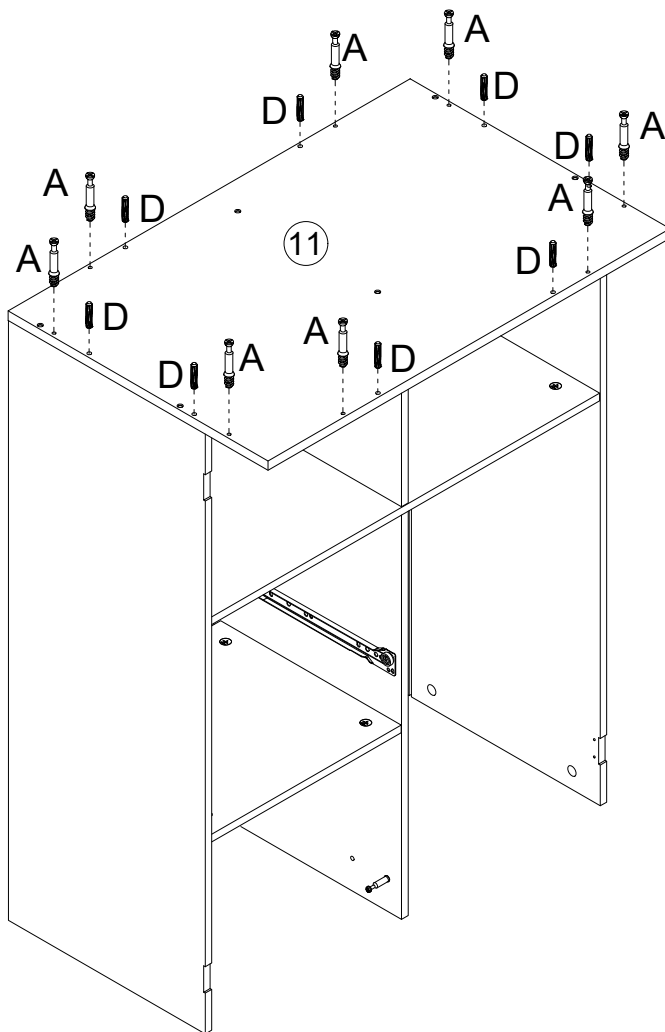
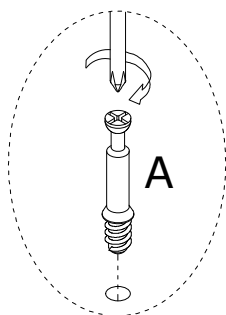


step 8

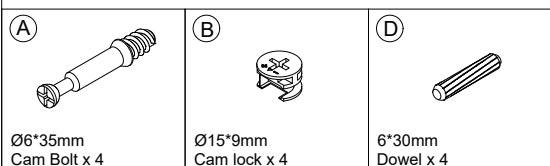
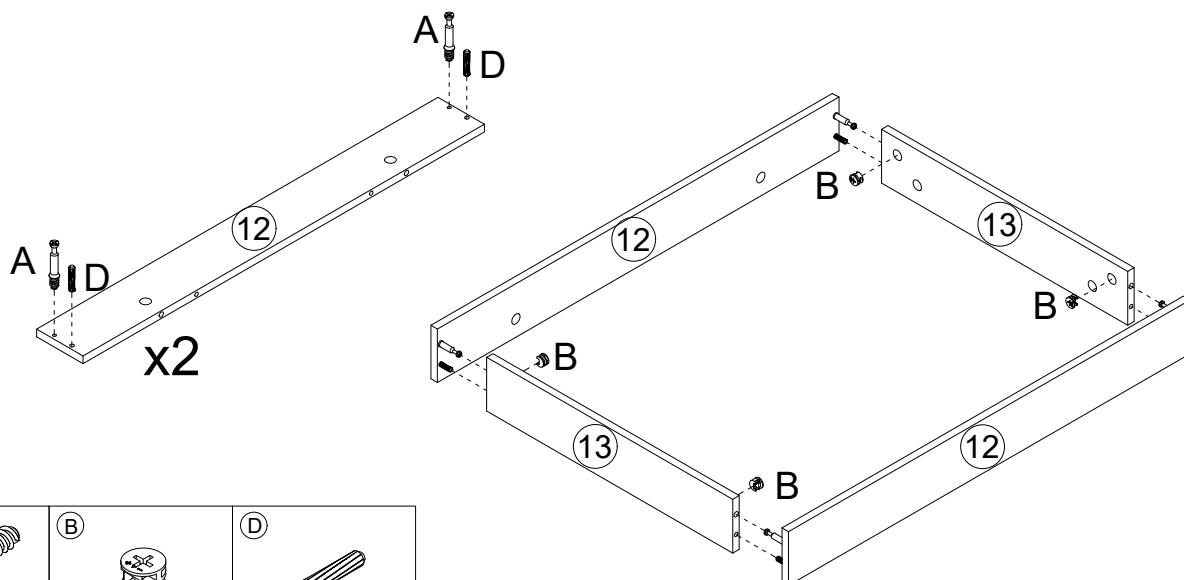


# Assembly Instructions

## step 9

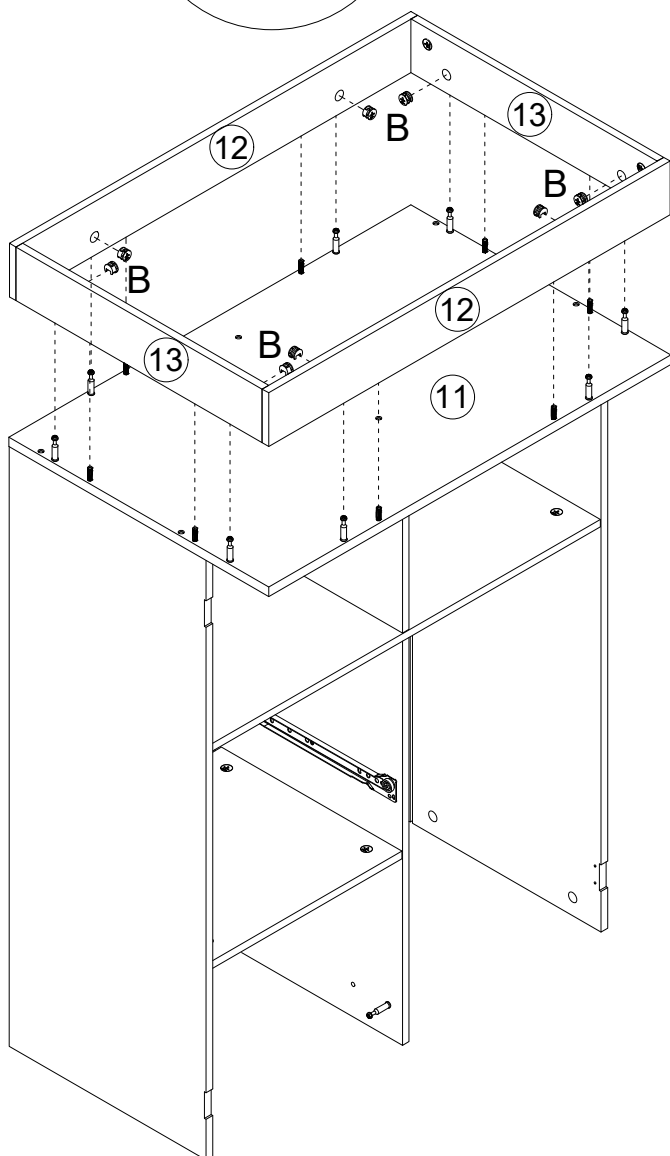
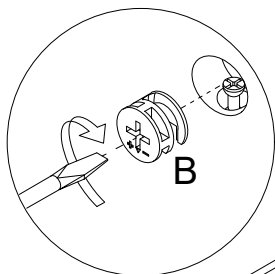


## step 10

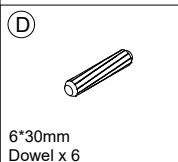
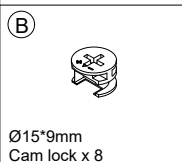
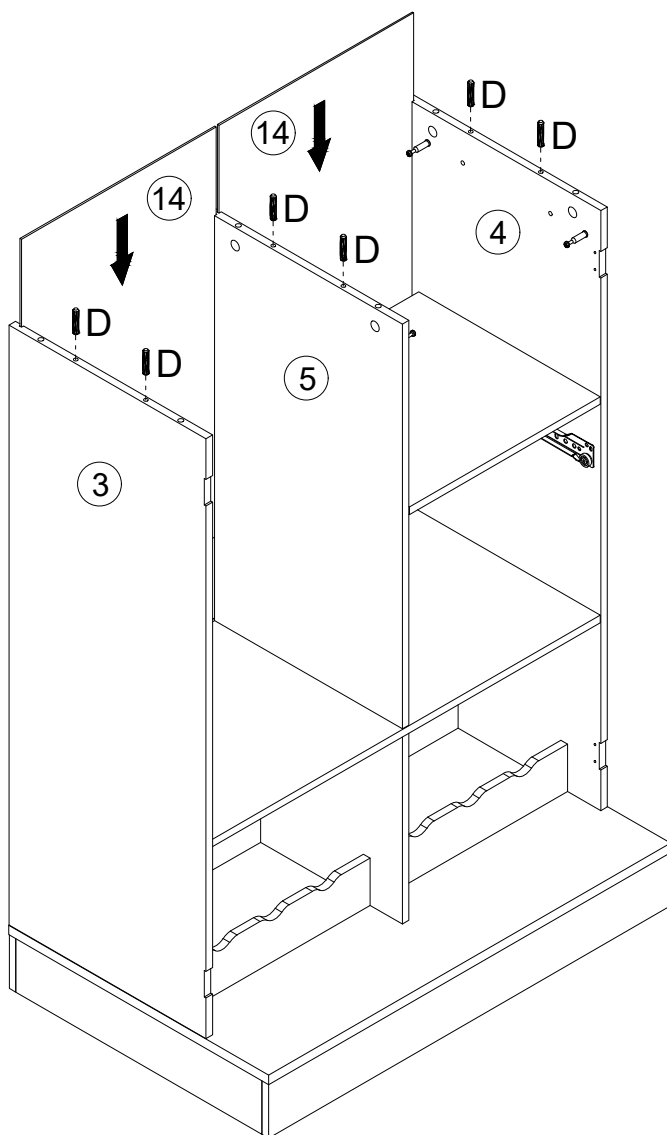


# Assembly Instructions

step 11



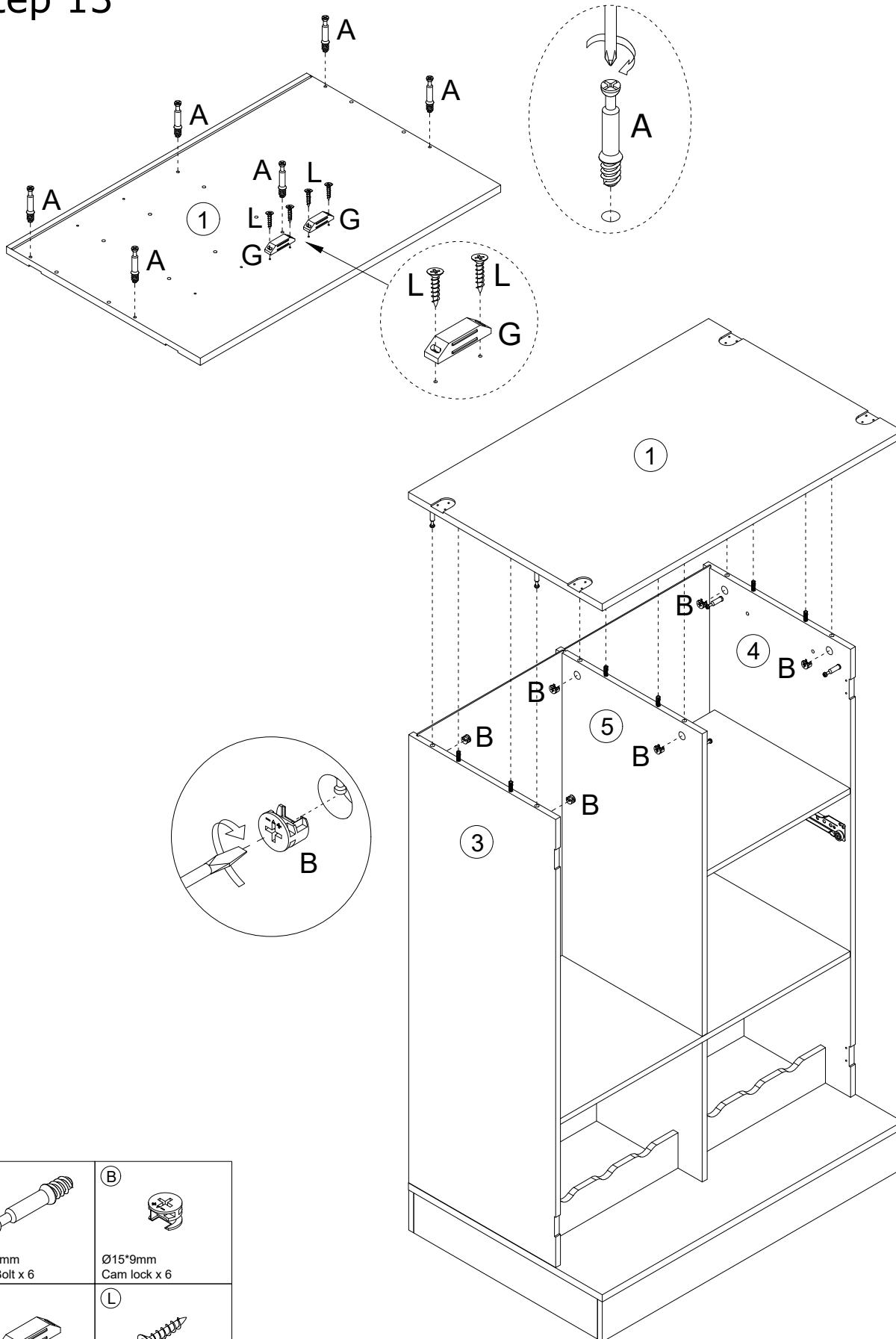
step 12

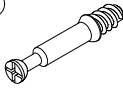







# Assembly Instructions

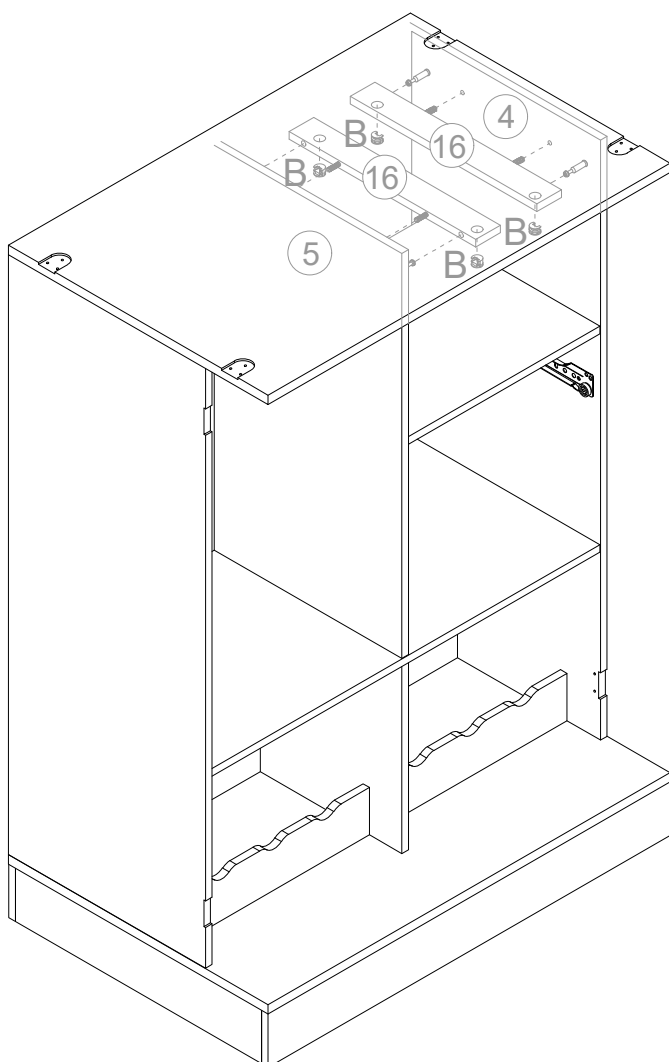
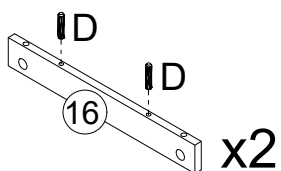
## step 13



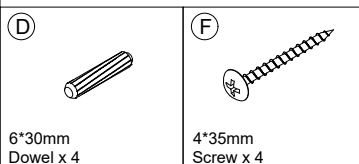
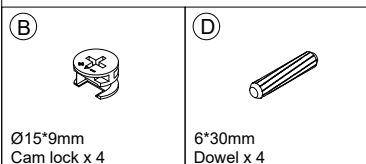
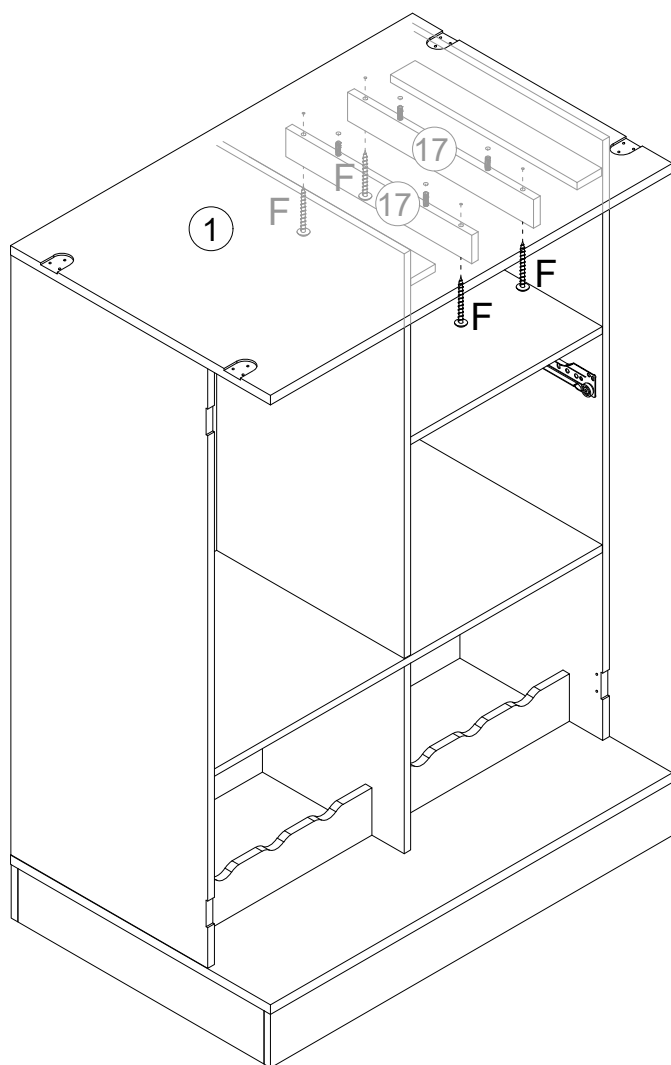
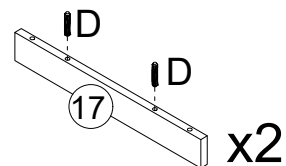
<p><b>(A)</b></p>  <p>Ø6*35mm Cam Bolt x 6</p>	<p><b>(B)</b></p>  <p>Ø15*9mm Cam lock x 6</p>
<p><b>(G)</b></p>  <p>Magnetic collision x 2</p>	<p><b>(L)</b></p>  <p>3*14mm Screw x 4</p>

# Assembly Instructions

step 14

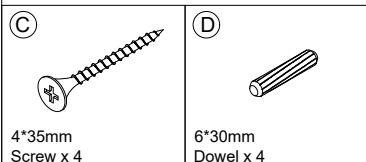
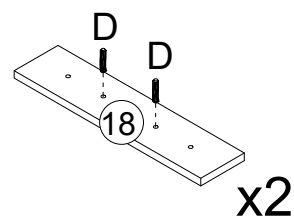
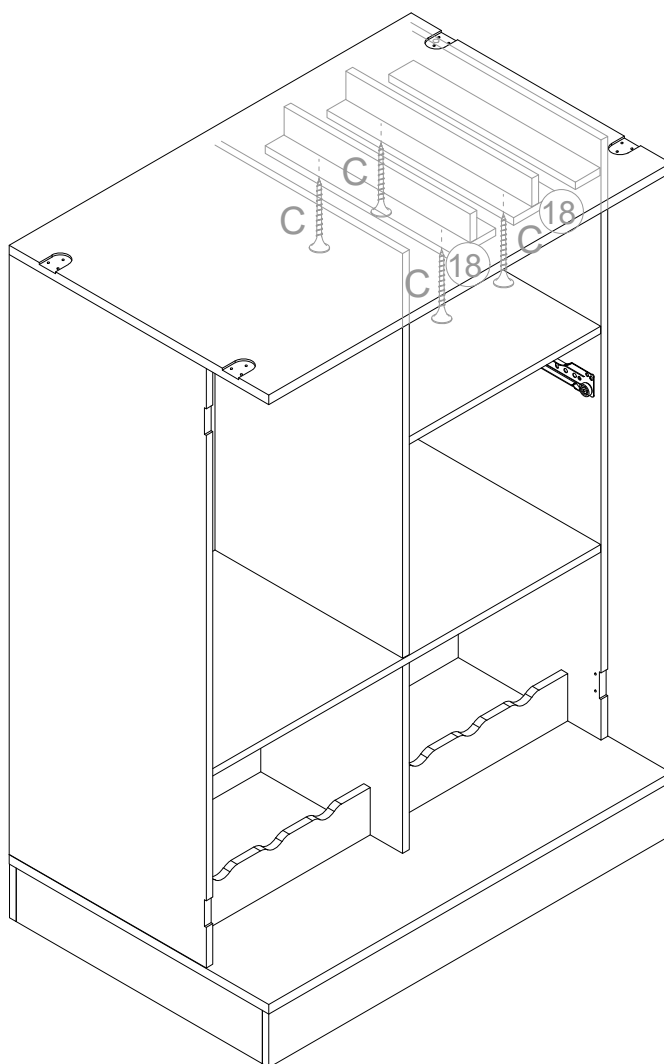


step 15

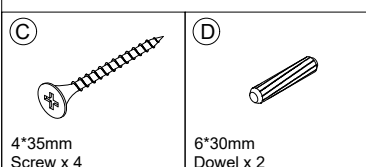
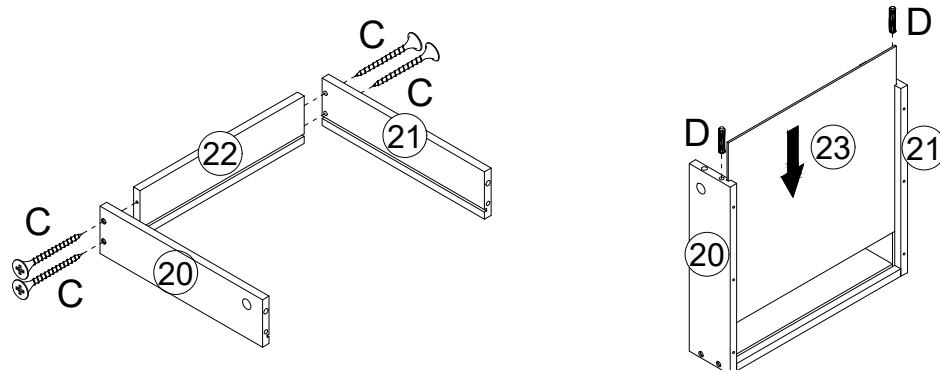


# Assembly Instructions

## step 16

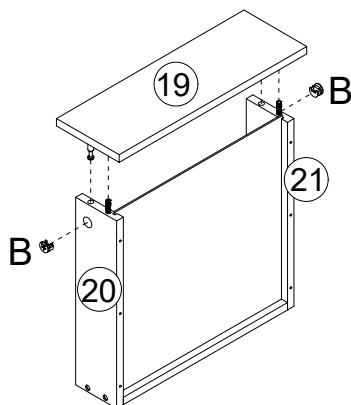
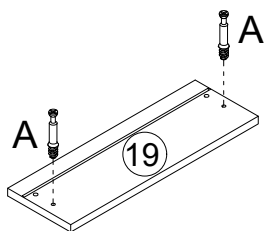
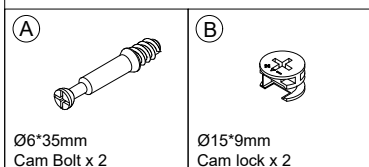


## step 17

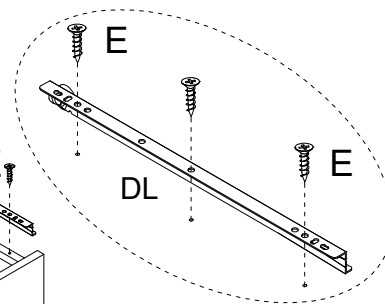
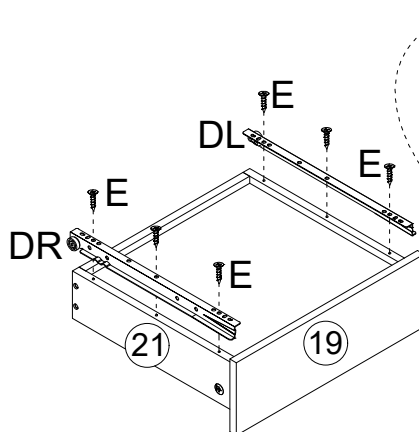
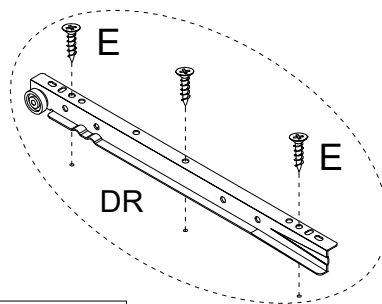
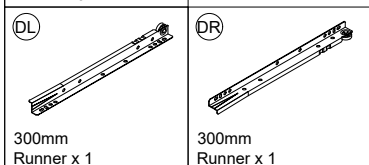
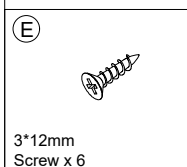


# Assembly Instructions

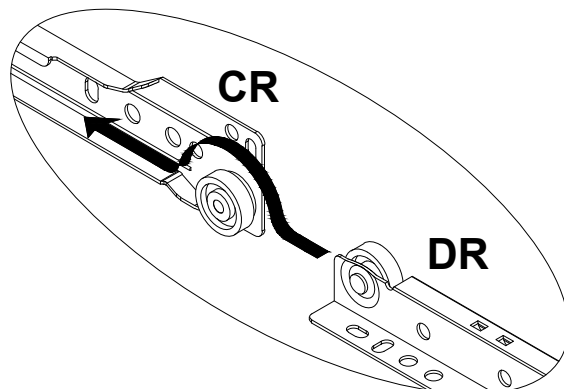
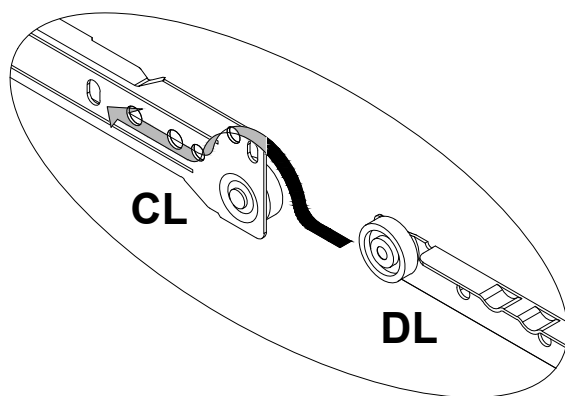
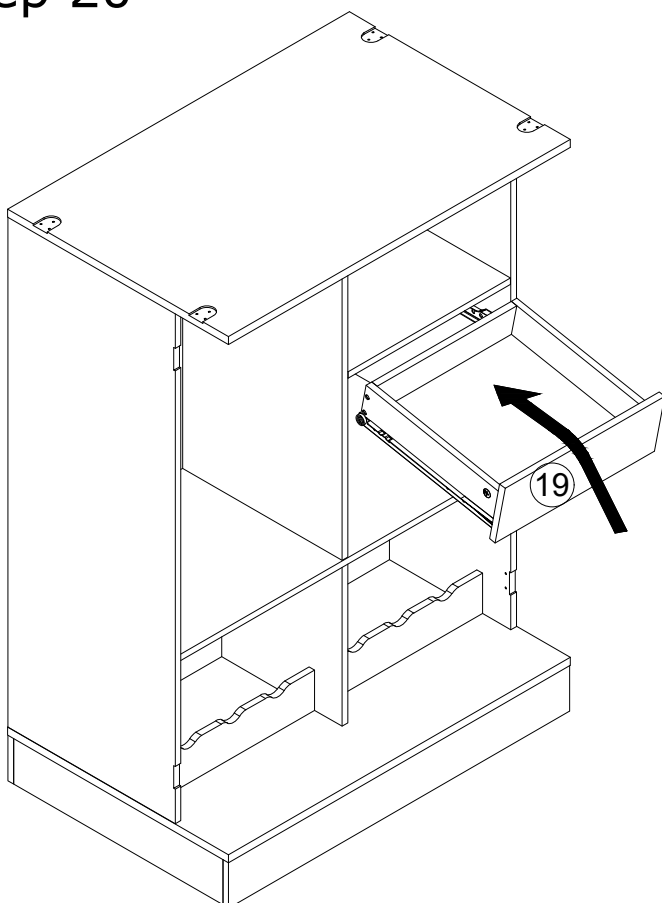
## step 18



## step 19

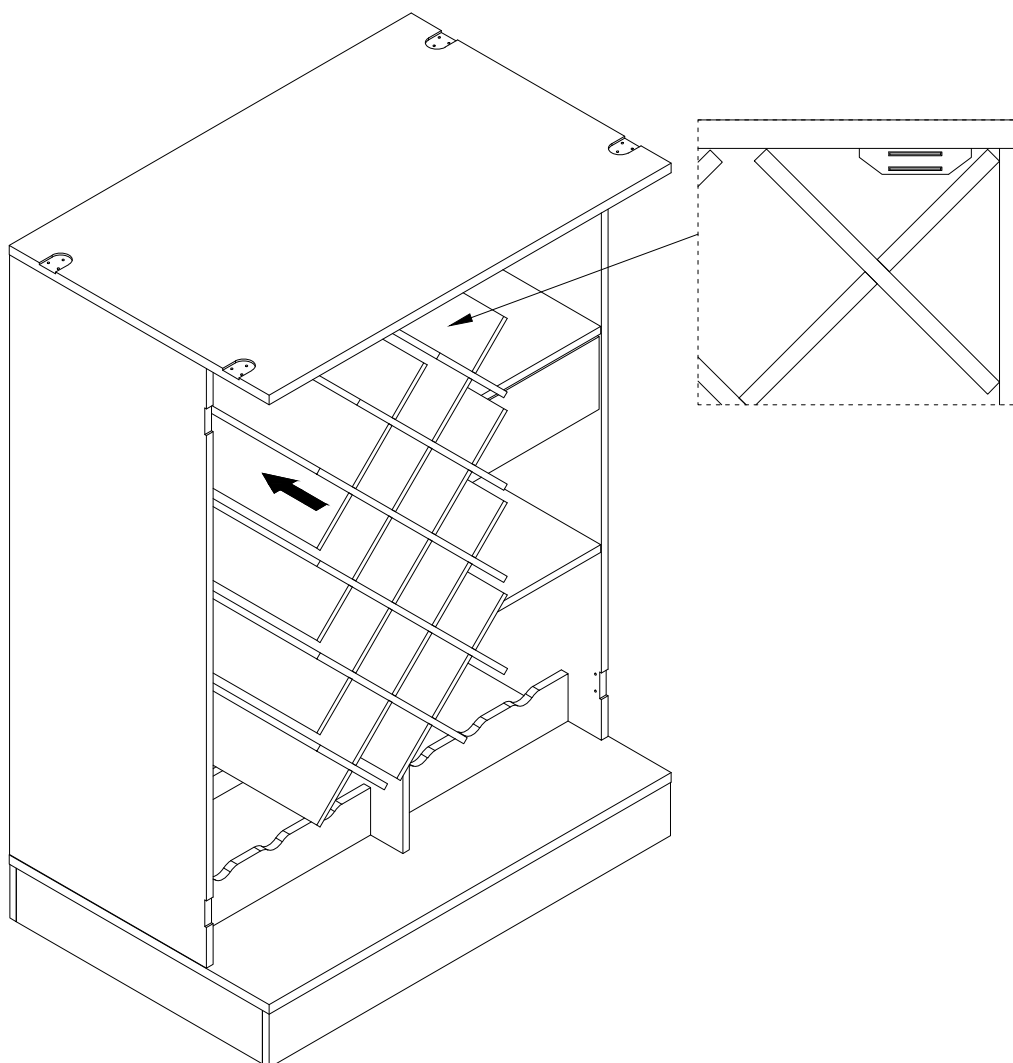
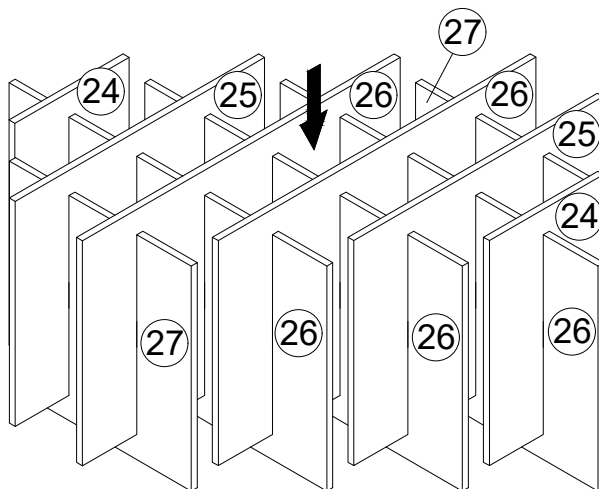


## step 20



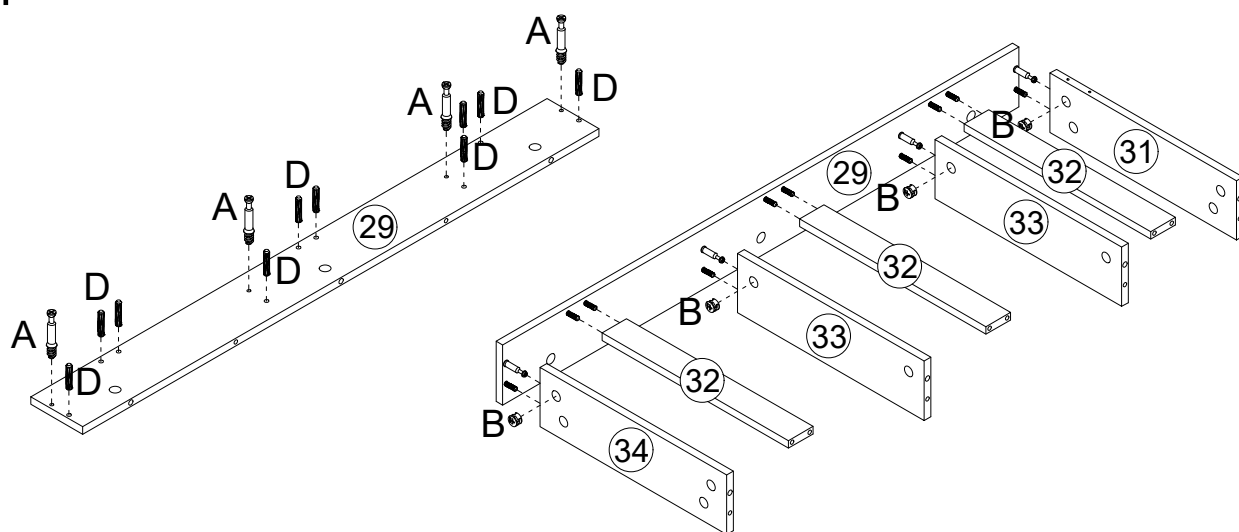
# Assembly Instructions

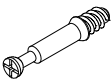

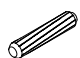
step 21



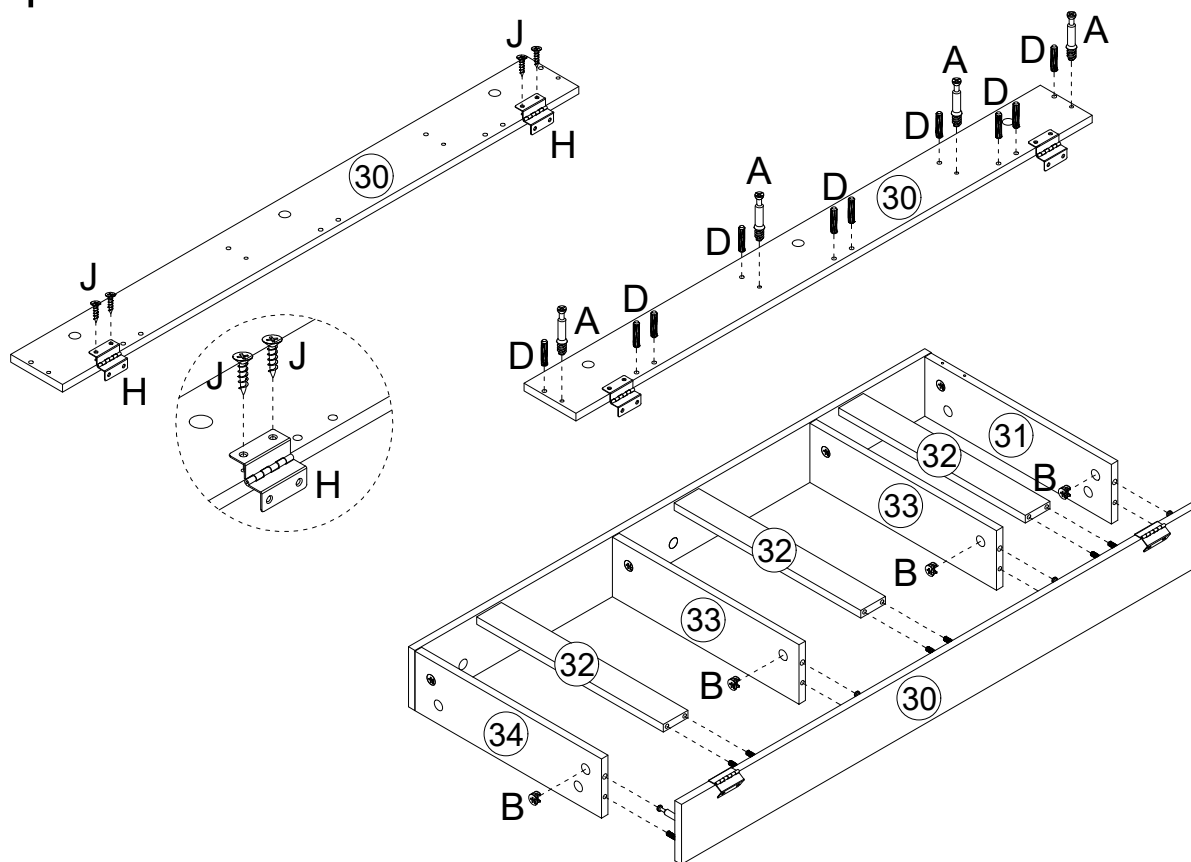
# Assembly Instructions

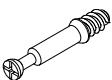

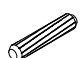

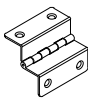
## step 22



<p>(A)</p>  <p>Ø6*35mm Cam Bolt x 4</p>	<p>(B)</p>  <p>Ø15*9mm Cam lock x 4</p>	<p>(D)</p>  <p>6*30mm Dowel x 10</p>
--	--	---

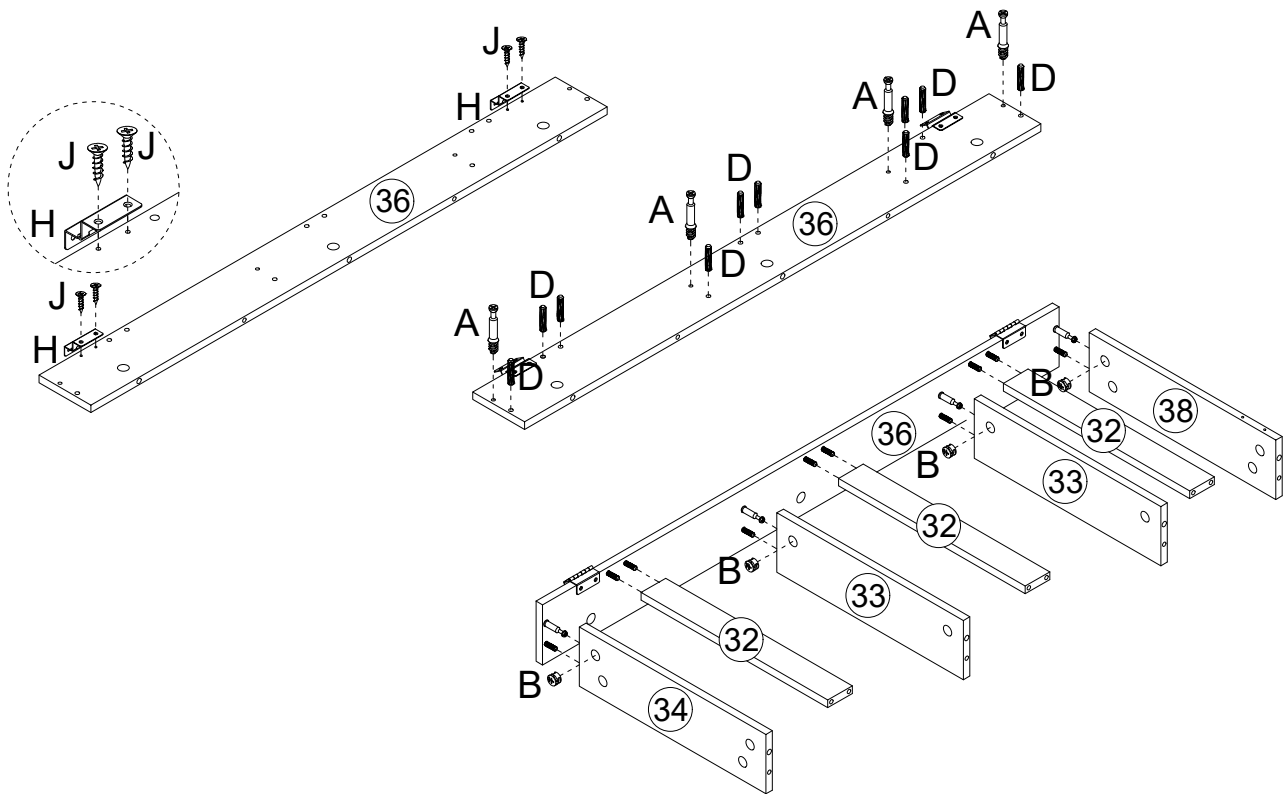
## step 23

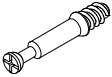

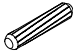

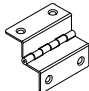


<p>(A)</p>  <p>Ø6*35mm Cam Bolt x 4</p>	<p>(B)</p>  <p>Ø15*9mm Cam lock x 4</p>	<p>(D)</p>  <p>6*30mm Dowel x 10</p>	<p>(J)</p>  <p>3.5*12mm Screw x 4</p>	<p>(H)</p>  <p>Hinge x 2</p>
--	--	---	--	---

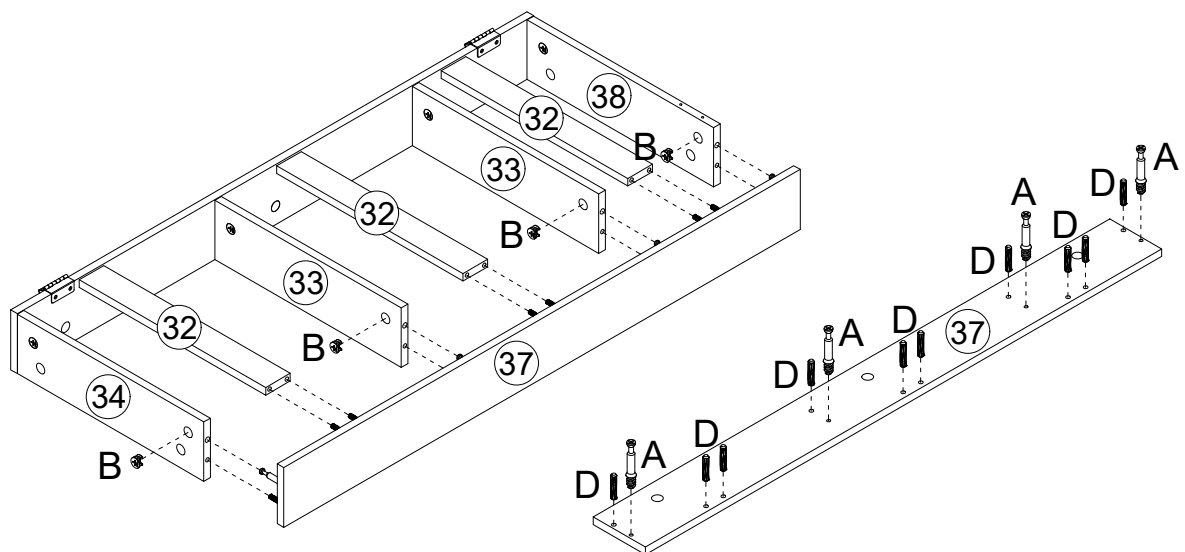
# Assembly Instructions

## step 24



<p>(A)</p>  <p>Ø6*35mm Cam Bolt x 4</p>	<p>(B)</p>  <p>Ø15*9mm Cam lock x 4</p>	<p>(D)</p>  <p>6*30mm Dowel x 10</p>	<p>(J)</p>  <p>3.5*12mm Screw x 4</p>	<p>(H)</p>  <p>Hinge x 2</p>
--	--	---	--	---

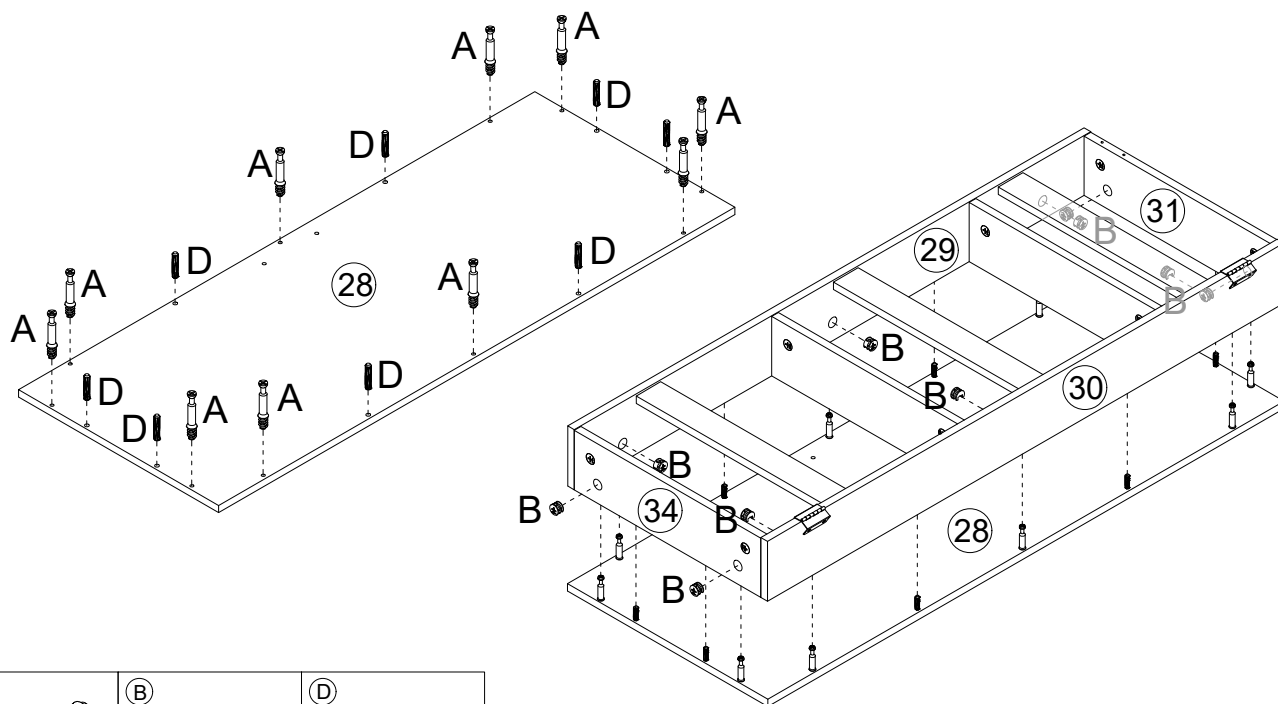
## step 25



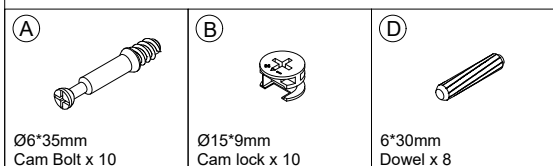
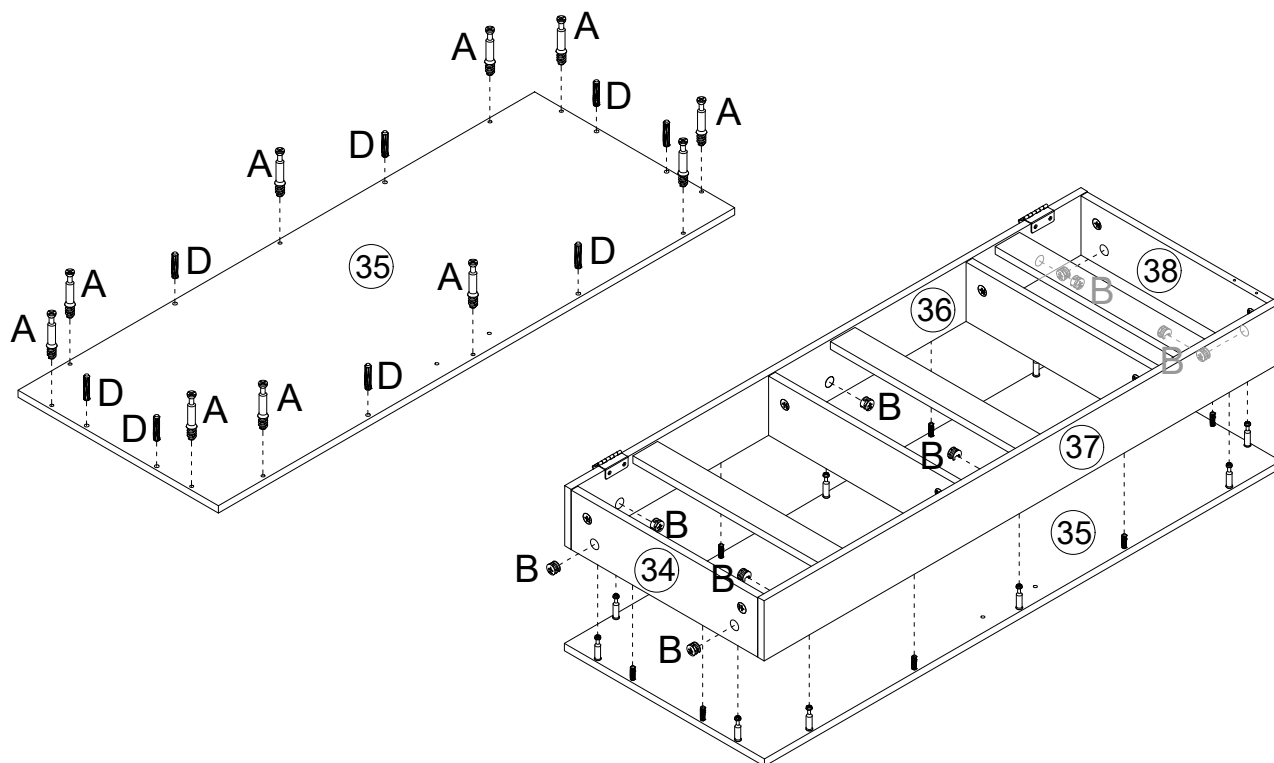
<p>(A)</p>  <p>Ø6*35mm Cam Bolt x 4</p>	<p>(B)</p>  <p>Ø15*9mm Cam lock x 4</p>	<p>(D)</p>  <p>6*30mm Dowel x 10</p>
--	--	---

# Assembly Instructions

## step 26



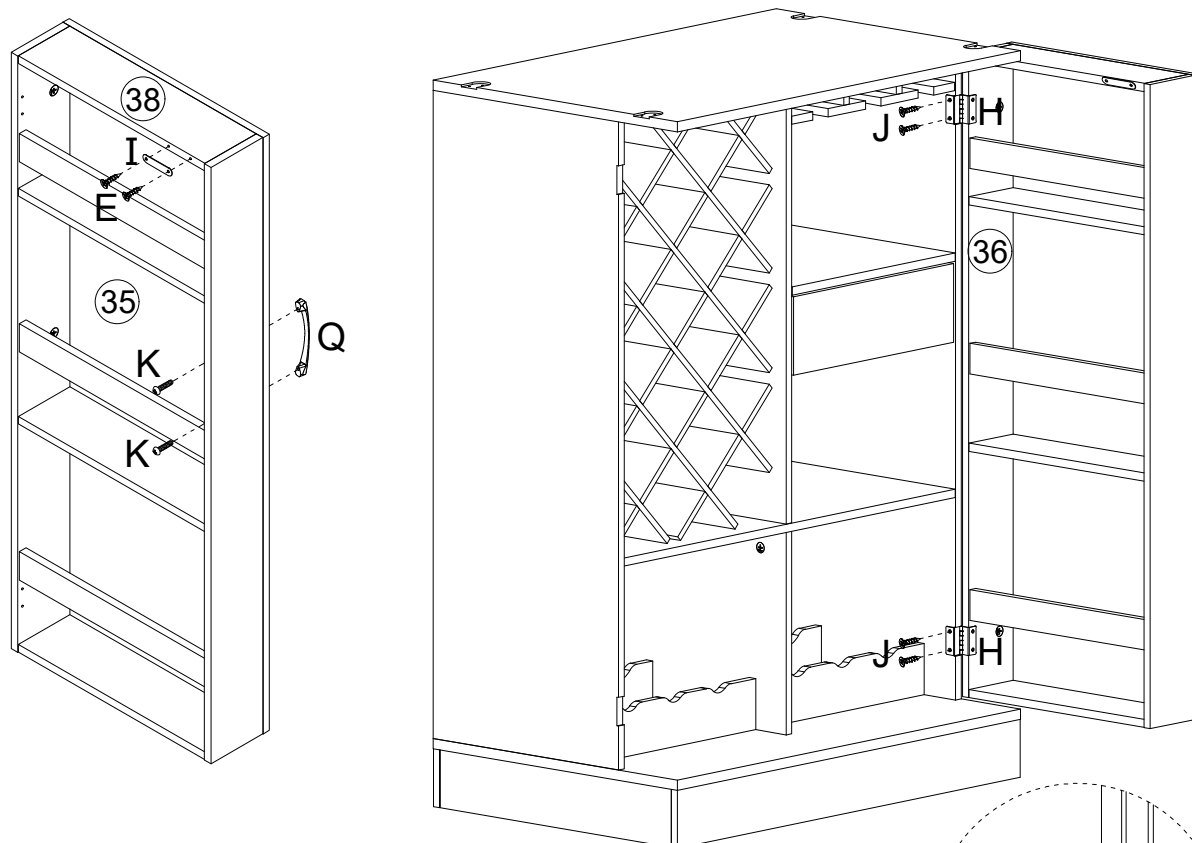
## step 27





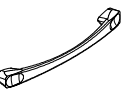




# Assembly Instructions

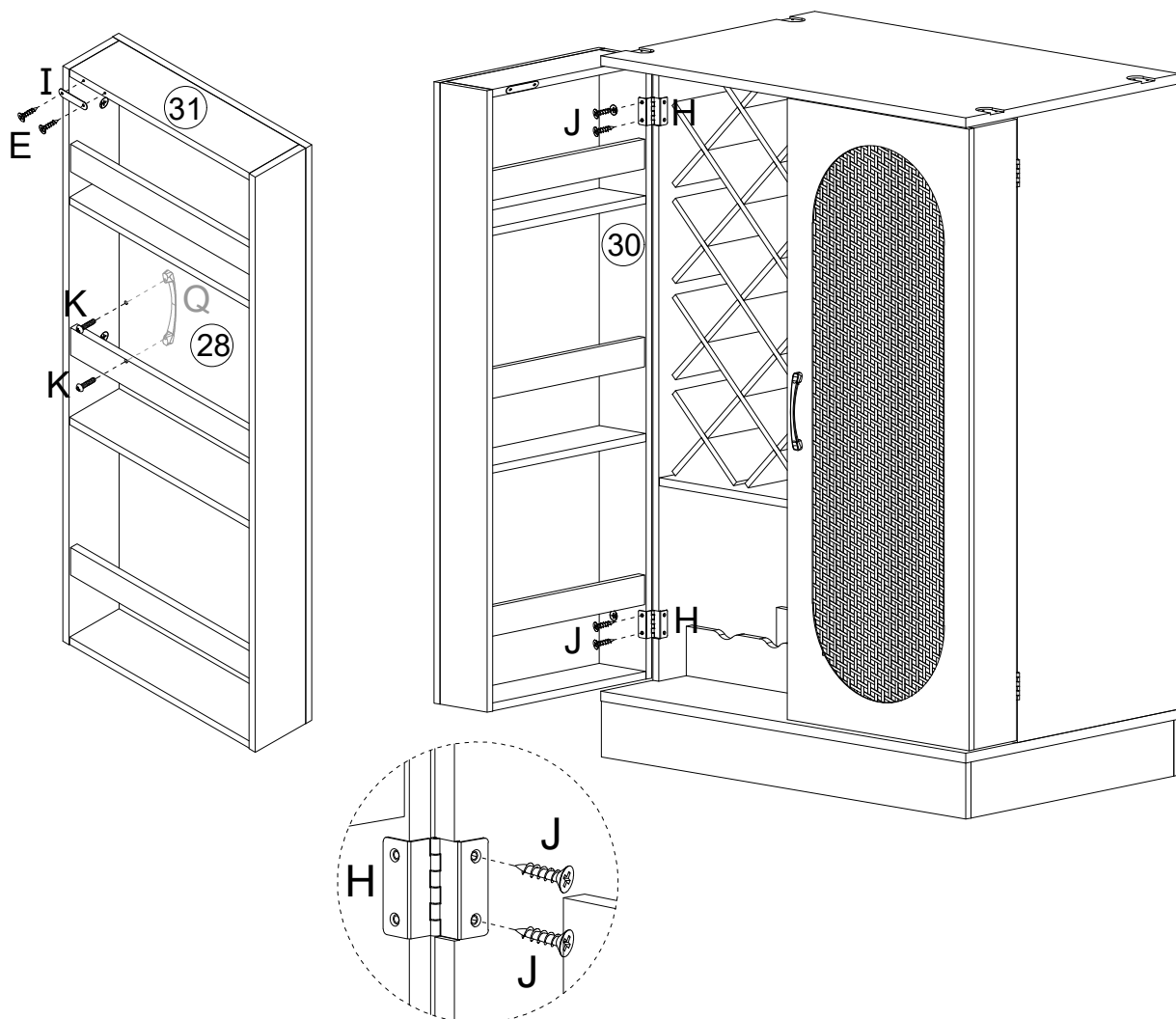
## step 28





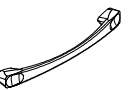


 3*12mm Screw x 2	 Iron sheet x 1	 3.5*12mm Screw x 4	 4*16mm Screw x 2	 Handle x 1
--	---	--	--	---

# Assembly Instructions

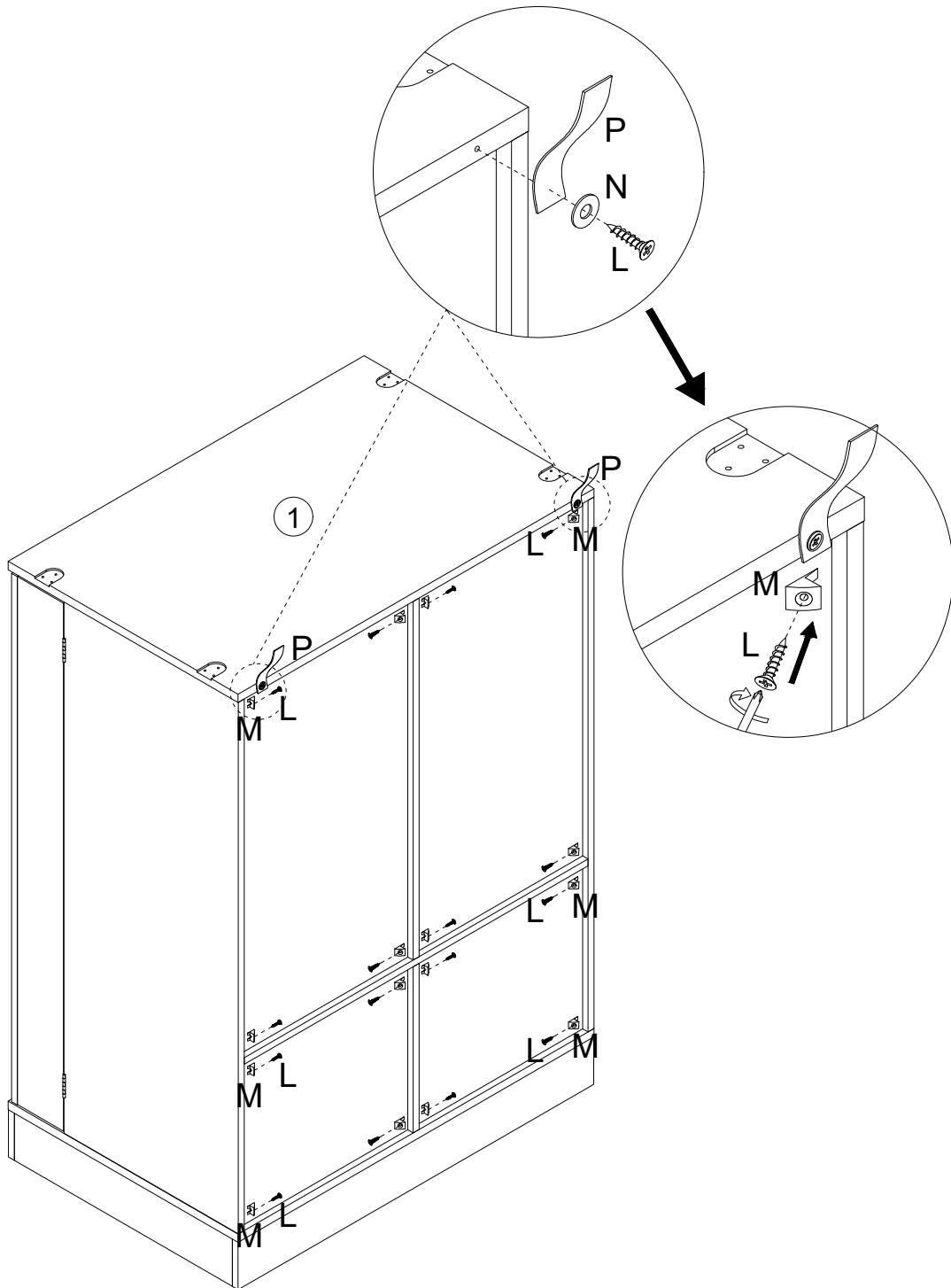
## step 29

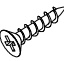





 3*12mm Screw x 2	 Iron sheet x 1	 3.5*12mm Screw x 4	 4*16mm Screw x 2	 Handle x 1
--	---	--	--	---

# Assembly Instructions

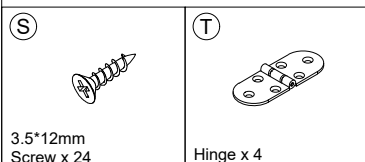
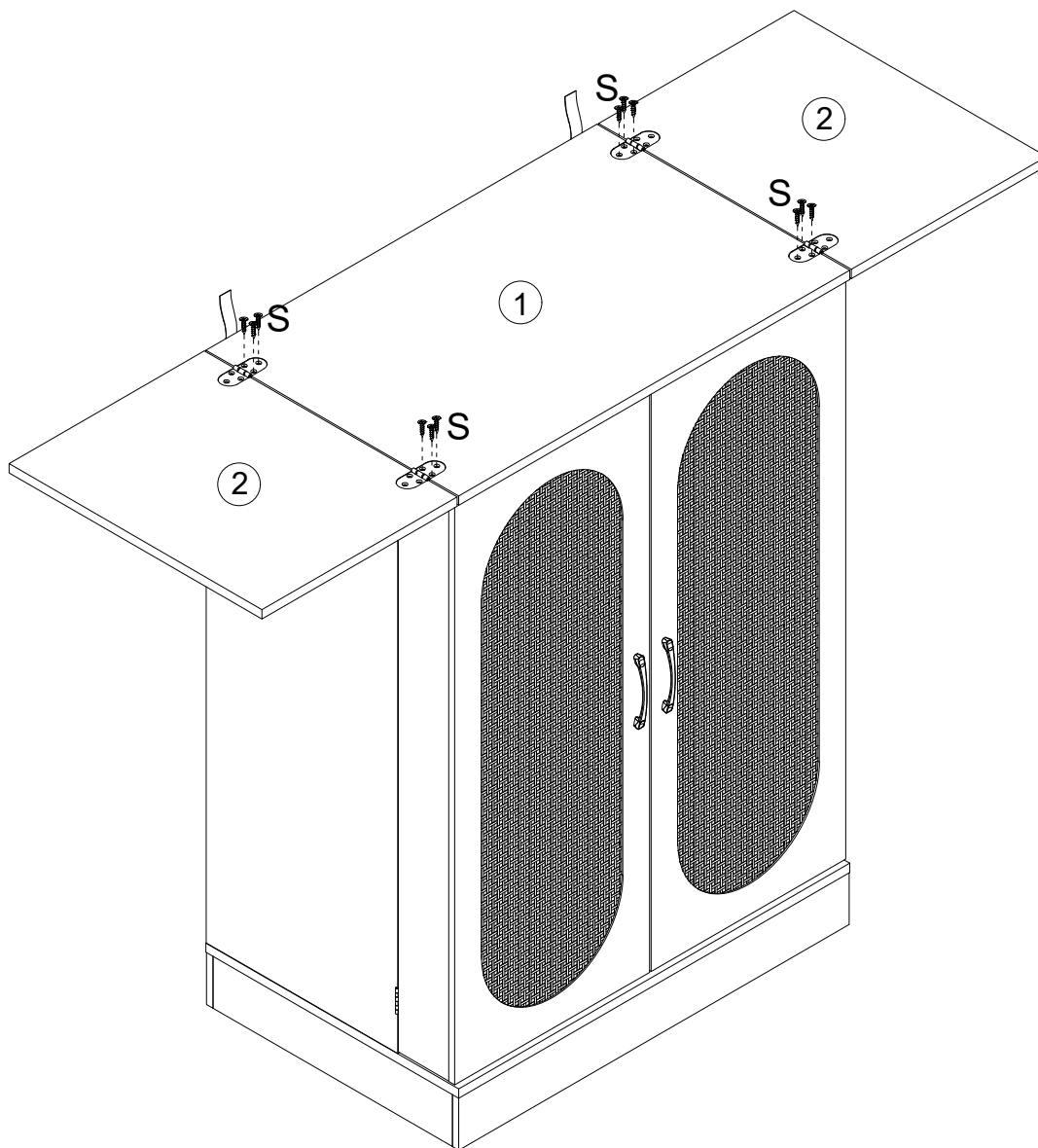
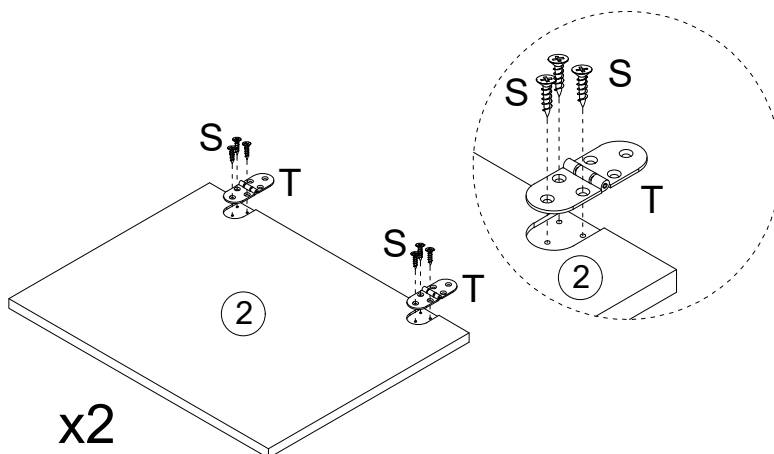
step 30



<p>(L)</p>  <p>3*14mm Screw x 18</p>	<p>(M)</p>  <p>Plastic Nail x 16</p>	<p>(N)</p>  <p>Shim x 2</p>	<p>(P)</p>  <p>Strap x 2</p>
---	---	--	---

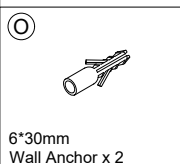
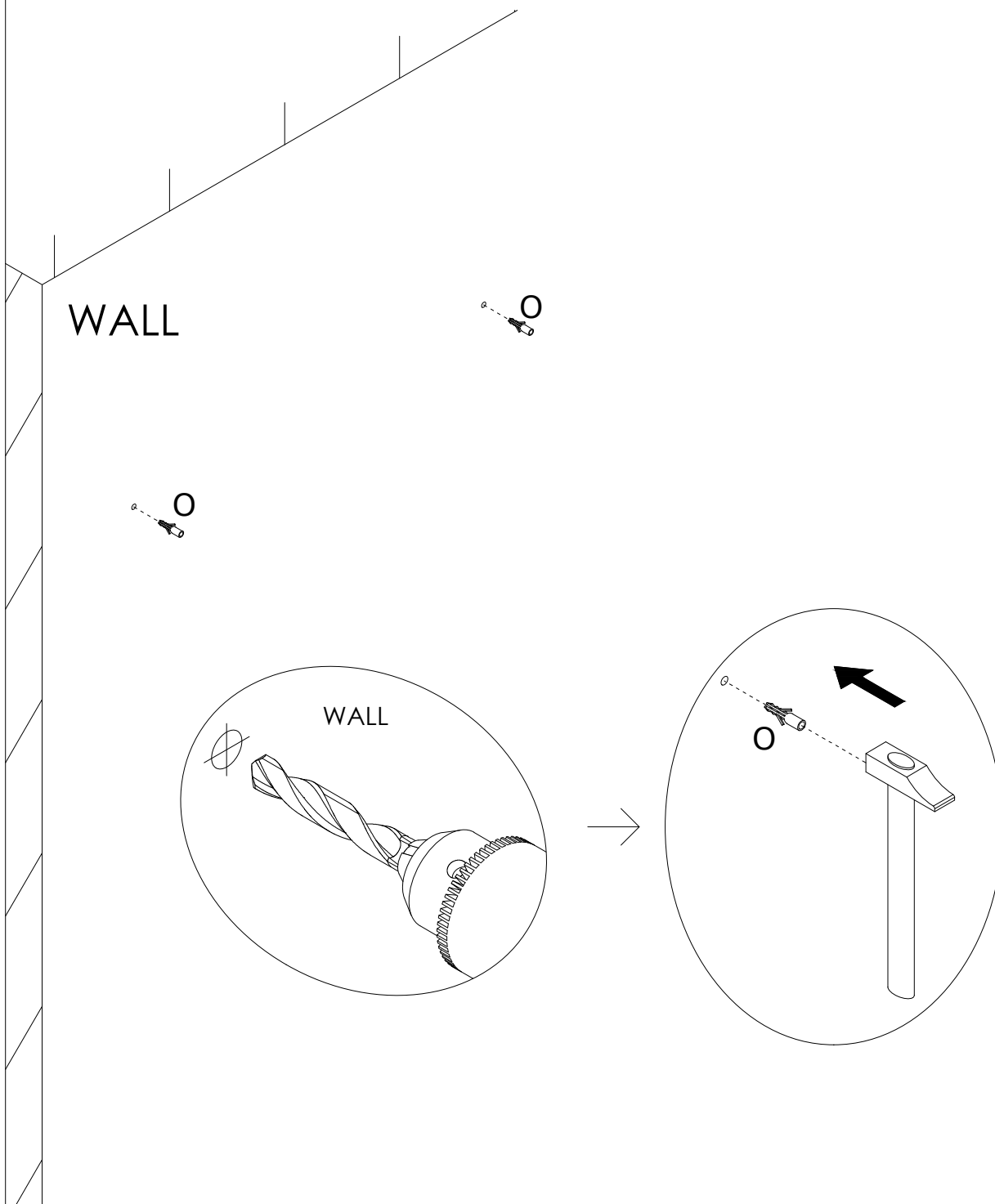
# Assembly Instructions

step 31



# Assembly Instructions

step 32



# Assembly Instructions

step 33

