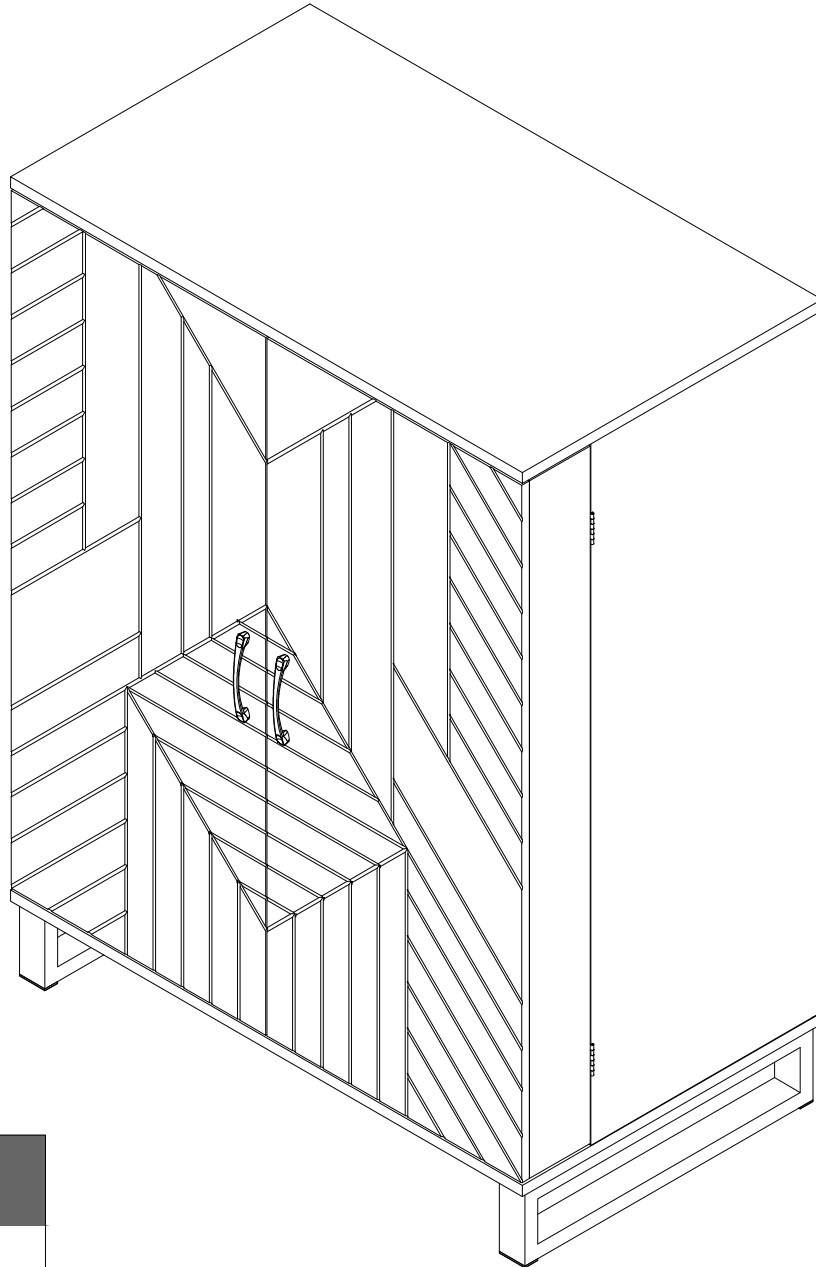


Bar Cabinet

Assembly Instructions - Please keep for future reference



Dimensions

Width-31.5inch

Depth-18.5inch

Height-42.5inch

Important-Please read these instructions fully before starting assembly



Safety and Care Advice

Important – Please read these instructions fully before starting assembly

- Check you have all the components and tools listed on the following pages.
- Remove all fittings from the plastic bags and separate them into their groups.
- Keep children and animals away from the work area, small parts could choke if swallowed.
- Make sure you have enough space to layout the parts before starting.

- During assembly do not stand or put weight on the product, this could cause damage.
- Assemble the item as close to its final position (in the same room) as possible.
- Assemble on a soft level surface to avoid damaging the unit or your floor.
- Parts of the assembly will be easier with 2 people.



power drill is set on a low torque setting.

- To reduce the likelihood of damaging your product please ensure that your

Care and maintenance

- Only clean using a damp cloth and mild detergent, do not use bleach or abrasive cleaners.
- From time to time check that there are no loose screws on this unit.
- This product should not be discarded with household waste. Take to your local authority waste disposal centre.

Handy Hints

- Assemble all parts and bolts loosely during assembly, only once the product is complete should you fully tighten the bolts
- Regularly check and ensure That all bolts and fittings are tightend properly.

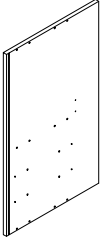
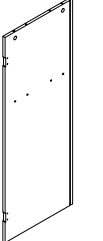

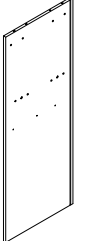
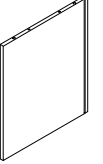
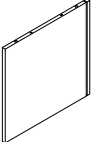

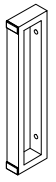
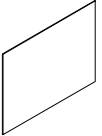
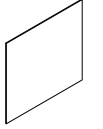
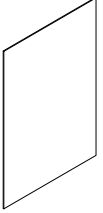

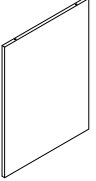
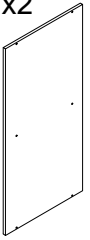
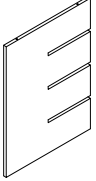



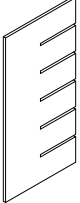
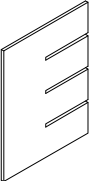




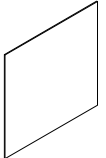
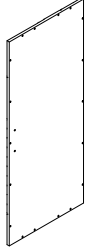
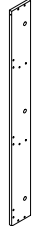

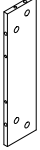


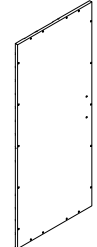

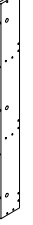
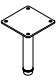
WARNING
In order to help prevent overturning – please follow these instructions

To help prevent product toppling over please follow the below steps:-

- Use the anti tip stap or wall fixing method provided (if applicable)
- Do not allow children to climb or hang on the furniture
- Do not open more than one drawer at a time
- Do not place heavy items in the top drawers
- Do not place heavy items on top of the furniture, unless the furniture has been designed for this purpose

Components - Fittinas

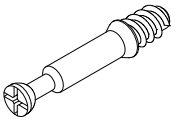

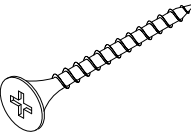
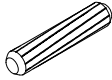
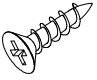
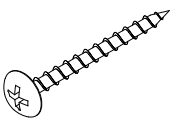
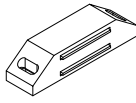
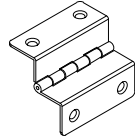

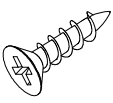
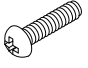
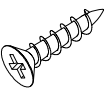




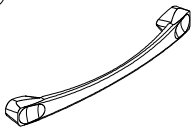
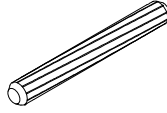
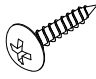
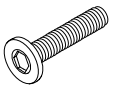
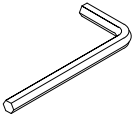
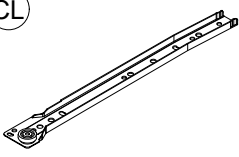
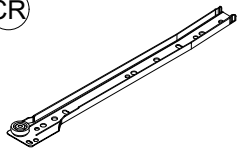
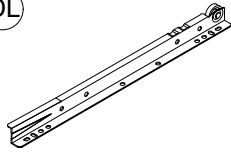
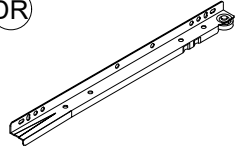
Please check you have all the panels listed below

| | | | | | |
|--|---|---|---|---|---|
| <p>① x1</p>  <p>800x470x15mm</p> | <p>② x1</p>  <p>950x360x12mm</p> | <p>③ x1</p>  <p>950x360x12mm</p> | <p>④ x1</p>  <p>950x359x12mm</p> | <p>⑤ x1</p>  <p>419x358x12mm</p> | <p>⑥ x1</p>  <p>343x358x12mm</p> |
| <p>⑦ x1</p>  <p>800x470x15mm</p> | <p>⑧ x2</p>  <p>581x333x12mm</p> | <p>⑨ x1</p>  <p>322x426x2.5mm</p> | <p>⑩ x1</p>  <p>322x350x2.5mm</p> | <p>⑪ x1</p>  <p>630x426x2.5mm</p> | <p>⑫ x1</p>  <p>630x350x2.5mm</p> |
| <p>⑬ x2</p>  <p>399x297x9mm</p> | <p>⑭ x2</p>  <p>621x297x9mm</p> | <p>⑮ x1</p>  <p>399x297x9mm</p> | <p>⑯ x2</p>  <p>341x45x12mm</p> | <p>⑰ x2</p>  <p>340x45x12mm</p> | <p>⑱ x2</p>  <p>341x80x12mm</p> |
| <p>⑲ x3</p>  <p>603x296x9mm</p> | <p>⑳ x4</p>  <p>399x297x9mm</p> | <p>㉑ x1</p>  <p>338x145x12mm</p> | <p>㉒ x1</p>  <p>297x115x12mm</p> | <p>㉓ x1</p>  <p>297x115x12mm</p> | <p>㉔ x1</p>  <p>295x115x12mm</p> |
| <p>㉕ x1</p>  <p>301x292x2.5mm</p> | <p>㉖ x1</p>  <p>943x398x12mm</p> | <p>㉗ x1</p>  <p>942x95x12mm</p> | <p>㉘ x1</p>  <p>942x95x12mm</p> | <p>㉙ x4</p>  <p>374x94x12mm</p> | <p>㉚ x6</p>  <p>374x75x12mm</p> |
| <p>㉛ x4</p>  <p>374x82x12mm</p> | <p>㉜ x1</p>  <p>943x398x12mm</p> | <p>㉝ x1</p>  <p>942x95x12mm</p> | <p>㉞ x1</p>  <p>942x95x12mm</p> | <p>㉟ x1</p>  <p>374x82x12mm</p> | |

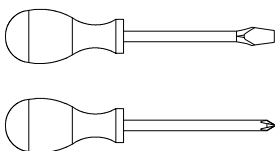
Components - Fittinas

Please check you have all the panels listed below

Note : The quantitie below are the correct amount to complete the assembly . In some cases more fittings may be supplied than are required.

| | | | | |
|--|--|--|--|---|
| <p>A</p>  <p>Ø6*35mm Cam Bolt x 56+1</p> | <p>B</p>  <p>Ø15*9mm Cam lock x 56+1</p> | <p>C</p>  <p>4*35mm Screw x 30+1</p> | <p>D</p>  <p>6*30mm Dowel x 86+2</p> | <p>E</p>  <p>3*12mm Screw x 16+1</p> |
| <p>F</p>  <p>4*35mm Screw x 4</p> | <p>G</p>  <p>Magnetic collision x 2</p> | <p>H</p>  <p>Hinge x 4</p> | <p>I</p>  <p>Iron sheet x 4</p> | <p>J</p>  <p>3.5*12mm Screw x 16+1</p> |
| <p>K</p>  <p>4*16mm Screw x 4</p> | <p>L</p>  <p>3*14mm Screw x 22+1</p> | <p>M</p>  <p>Plastic Nail x 16+1</p> | <p>N</p>  <p>shim x 4</p> | <p>O</p>  <p>6*30mm Wall Anchor x 2</p> |
| <p>P</p>  <p>Strap x 2</p> | <p>Q</p>  <p>Handle x 2</p> | <p>R</p>  <p>6*50mm Dowel x 2</p> | <p>S</p>  <p>4*12mm Screw x 4</p> | <p>T</p>  <p>6*30mm Screw x 4</p> |
| <p>U</p>  <p>Wrench x 1</p> | <p>CL</p>  <p>300mm Runner x 1</p> | <p>CR</p>  <p>300mm Runner x 1</p> | <p>DL</p>  <p>300mm Runner x 1</p> | <p>DR</p>  <p>300mm Runner x 1</p> |

Tools required

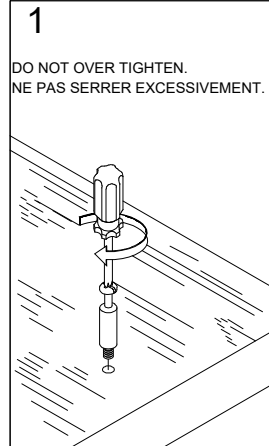


Phillips screwdriver
(medium large)

Using Camlocks

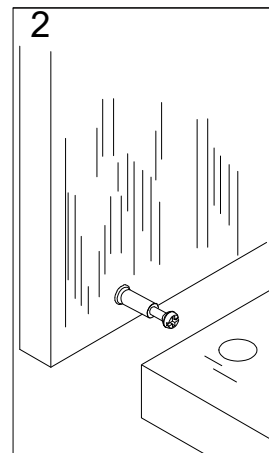
Step 1

Connect the male camlock as directed in the assembly instructions using a screwdriver.



Step 2

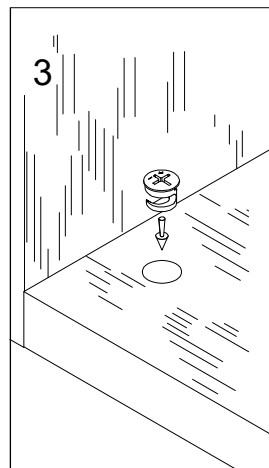
Push the male camlock into the entry hole.



Step 3

Insert the female camlock as shown in the instruction.

Note: ensure that the arrow on the top of the camlock points towards the entry hole for the male camlock.

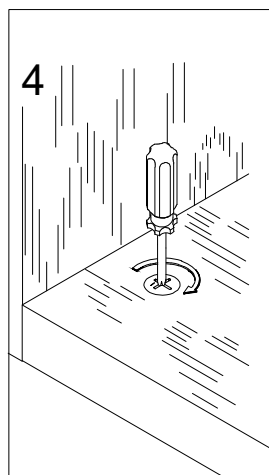


Step 4

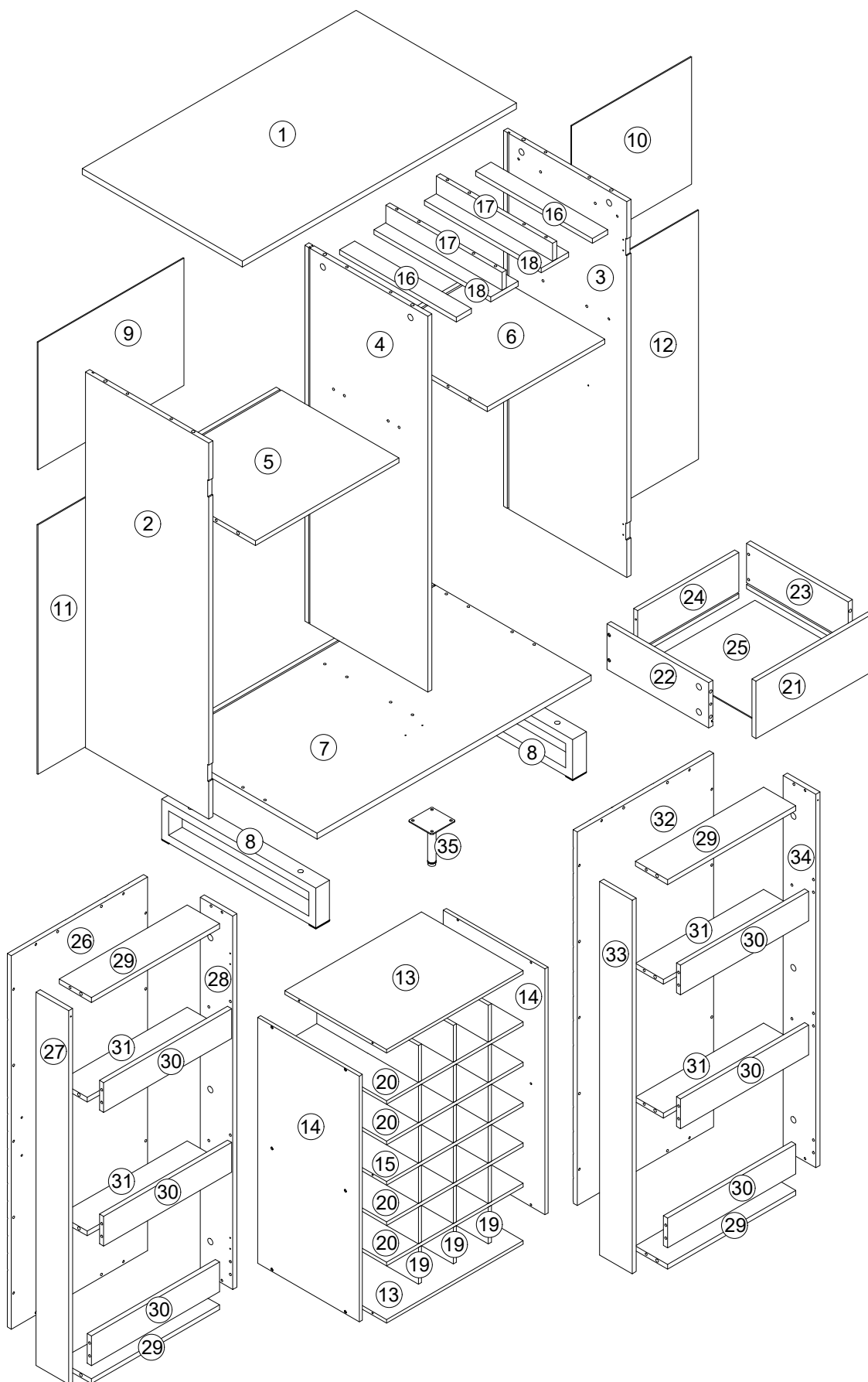
Turn the female camlock clockwise with a screwdriver.

You should feel a click when the camlock is locked in place.

The joint is now secure.

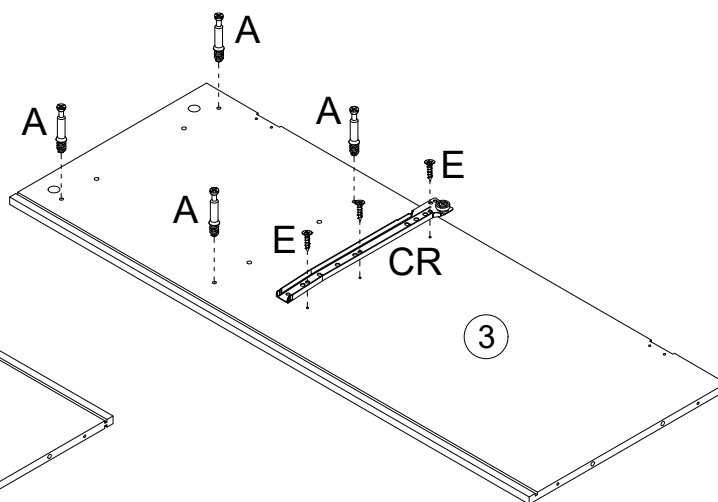
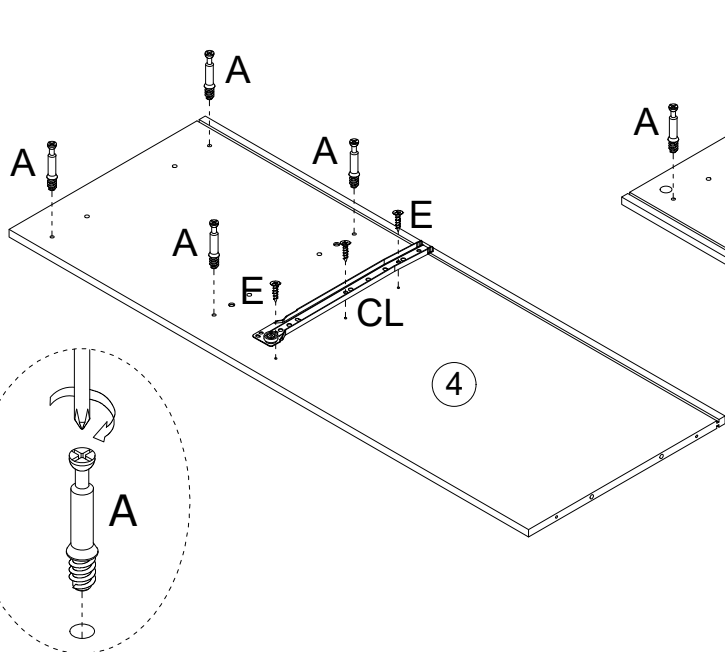
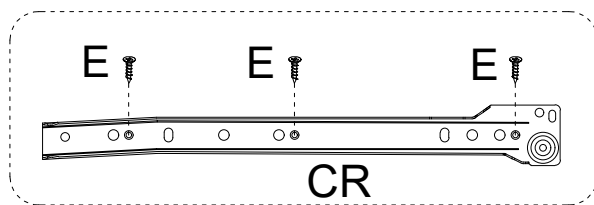
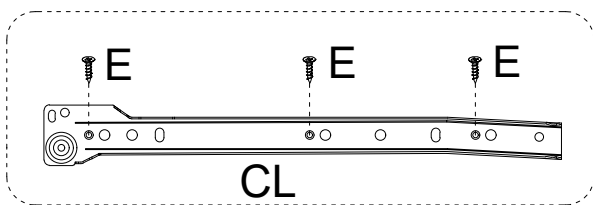


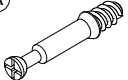
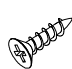
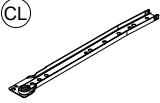
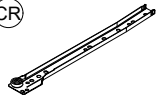
Assembly Instructions



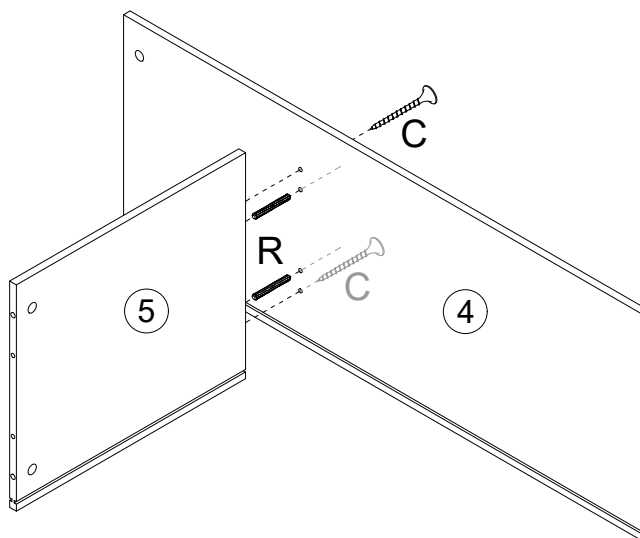
Assembly Instructions

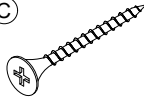
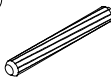
step 1



| | | | |
|---|---|--|--|
| <p>(A)</p>  <p>Ø6*35mm Cam Bolt x 8</p> | <p>(E)</p>  <p>3*12mm Screw x 6</p> | <p>(CL)</p>  <p>300mm Runner x 1</p> | <p>(CR)</p>  <p>300mm Runner x 1</p> |
|---|---|--|--|

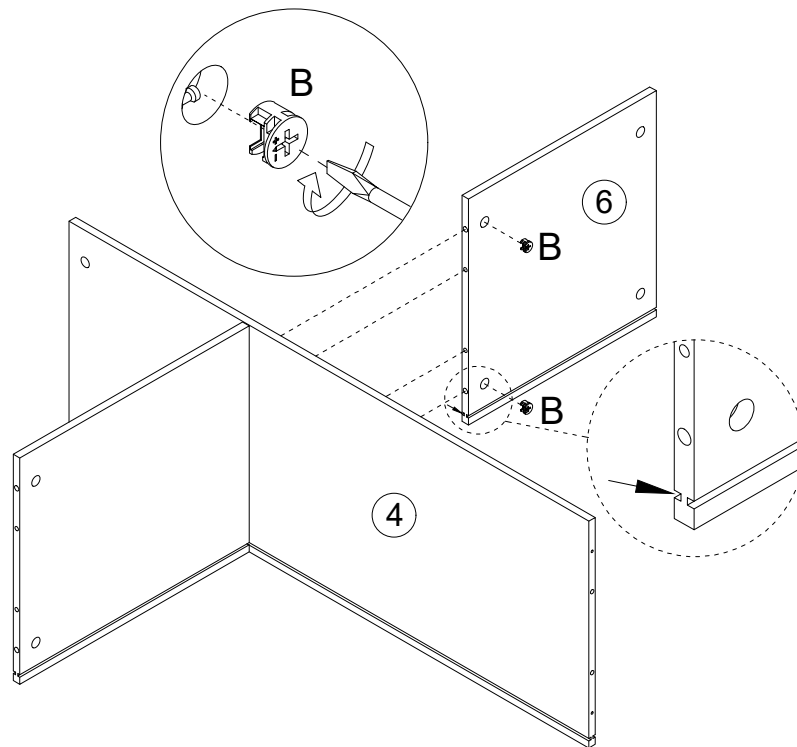
step 2



| | |
|--|---|
| <p>(C)</p>  <p>4*35mm Screw x 2</p> | <p>(R)</p>  <p>6*50mm Dowel x 2</p> |
|--|---|

Assembly Instructions

step 3

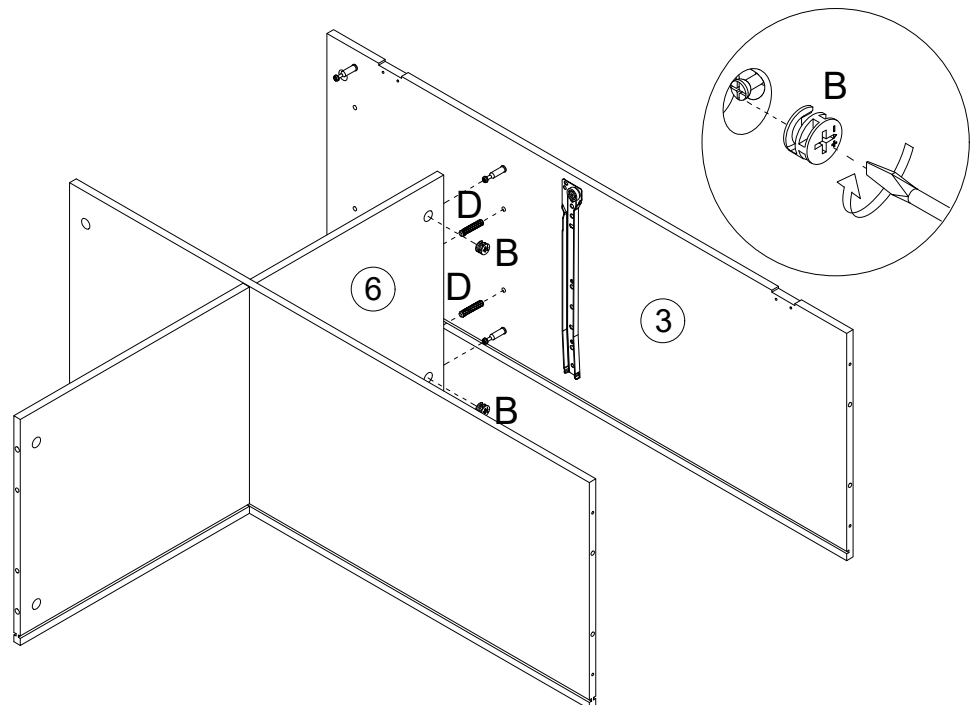


(B)



Ø15*9mm
Cam lock x 2

step 4



(B)



Ø15*9mm
Cam lock x 2

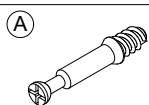
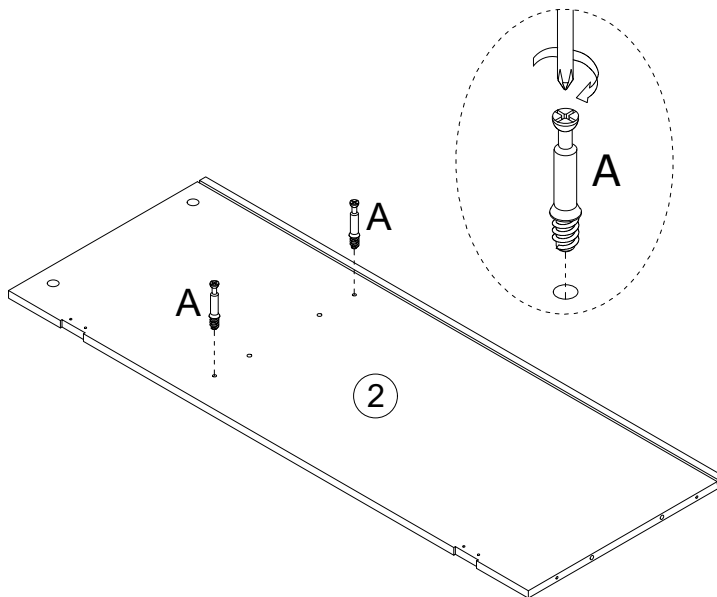
(D)



6*30mm
Dowel x 2

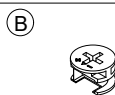
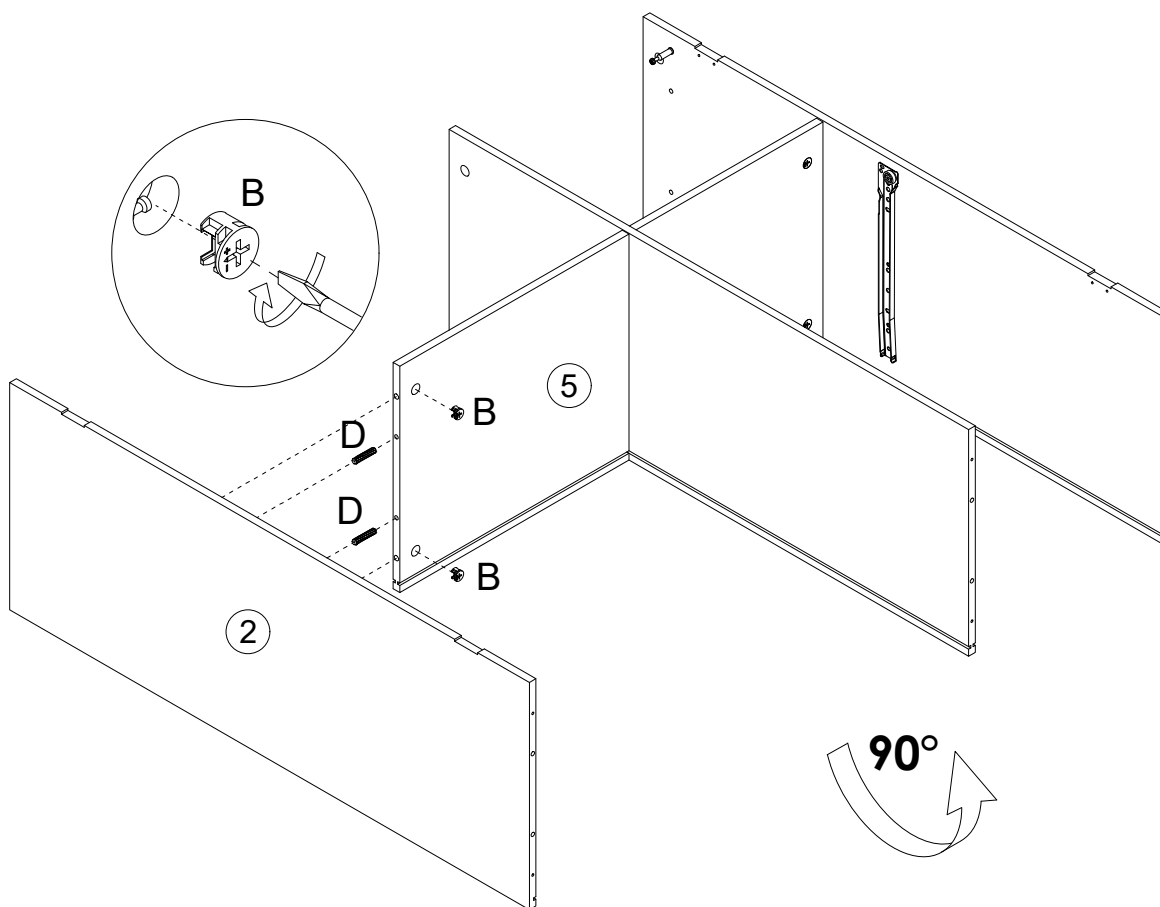
Assembly Instructions

step 5

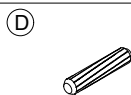


Ø6*35mm
Cam Bolt x 2

step 6



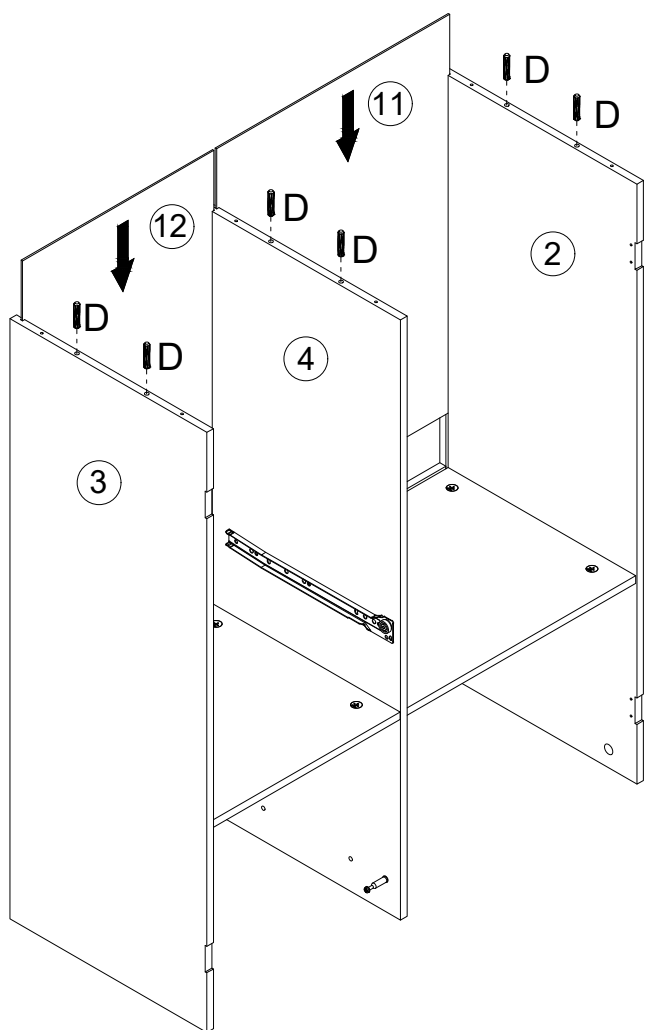
Ø15*9mm
Cam lock x 2



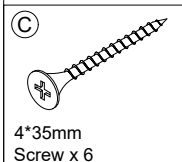
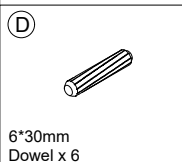
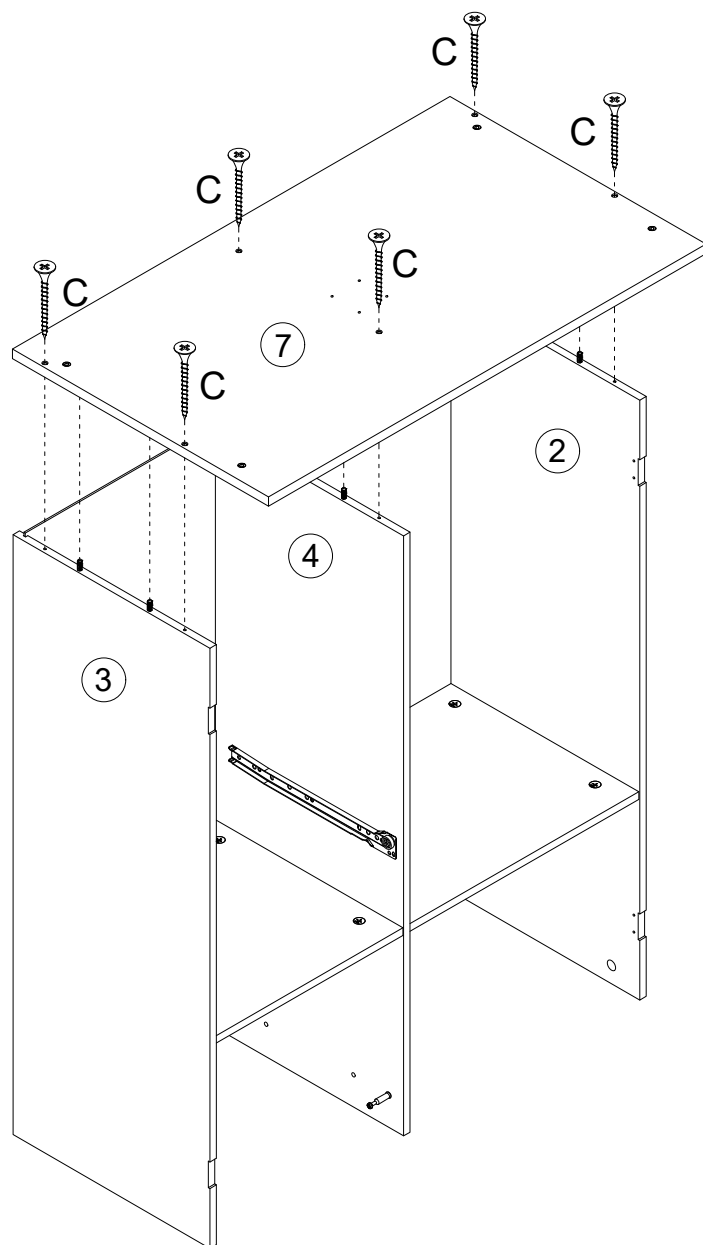
6*30mm
Dowel x 2

Assembly Instructions

step 7

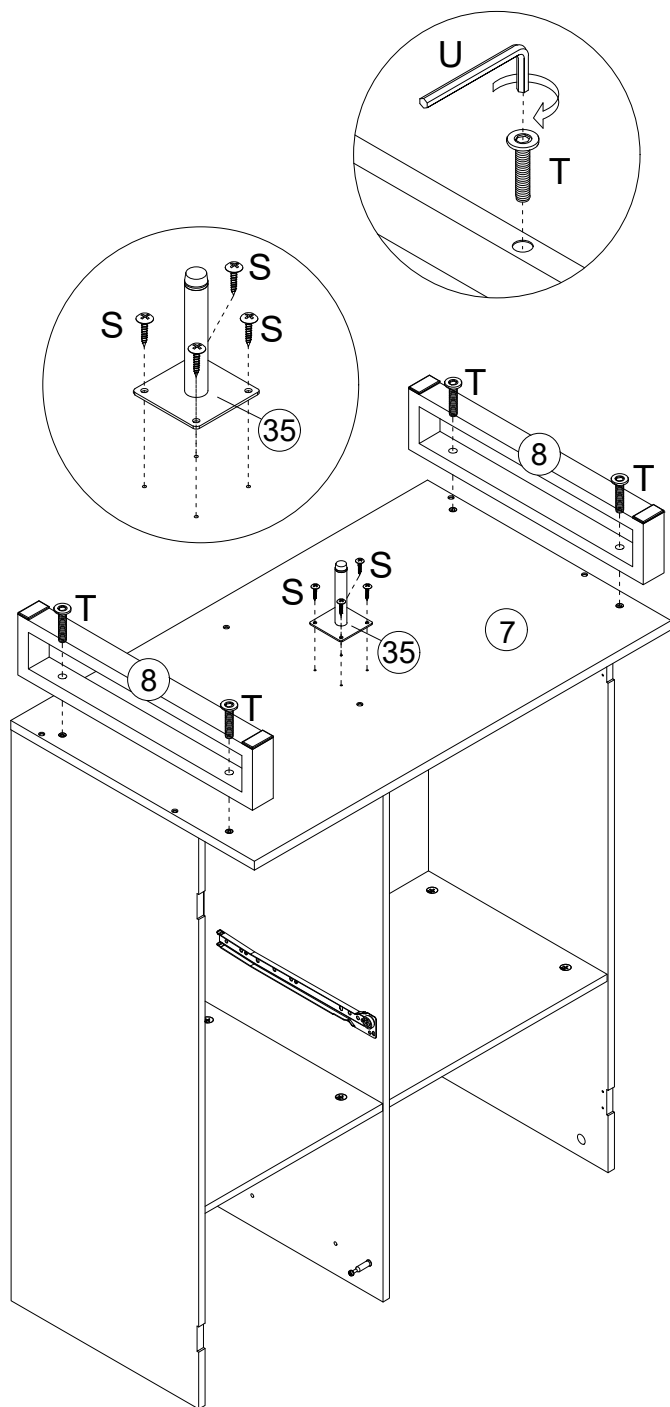


step 8

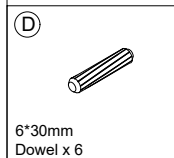
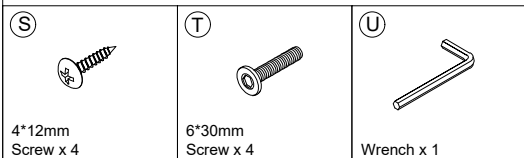
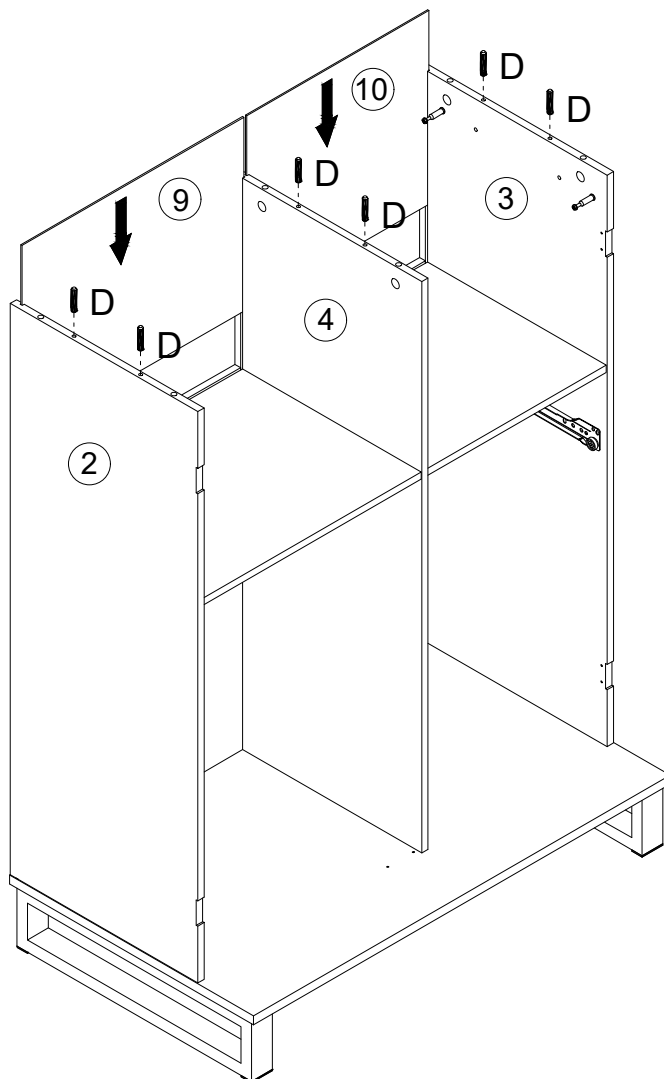


Assembly Instructions

step 9

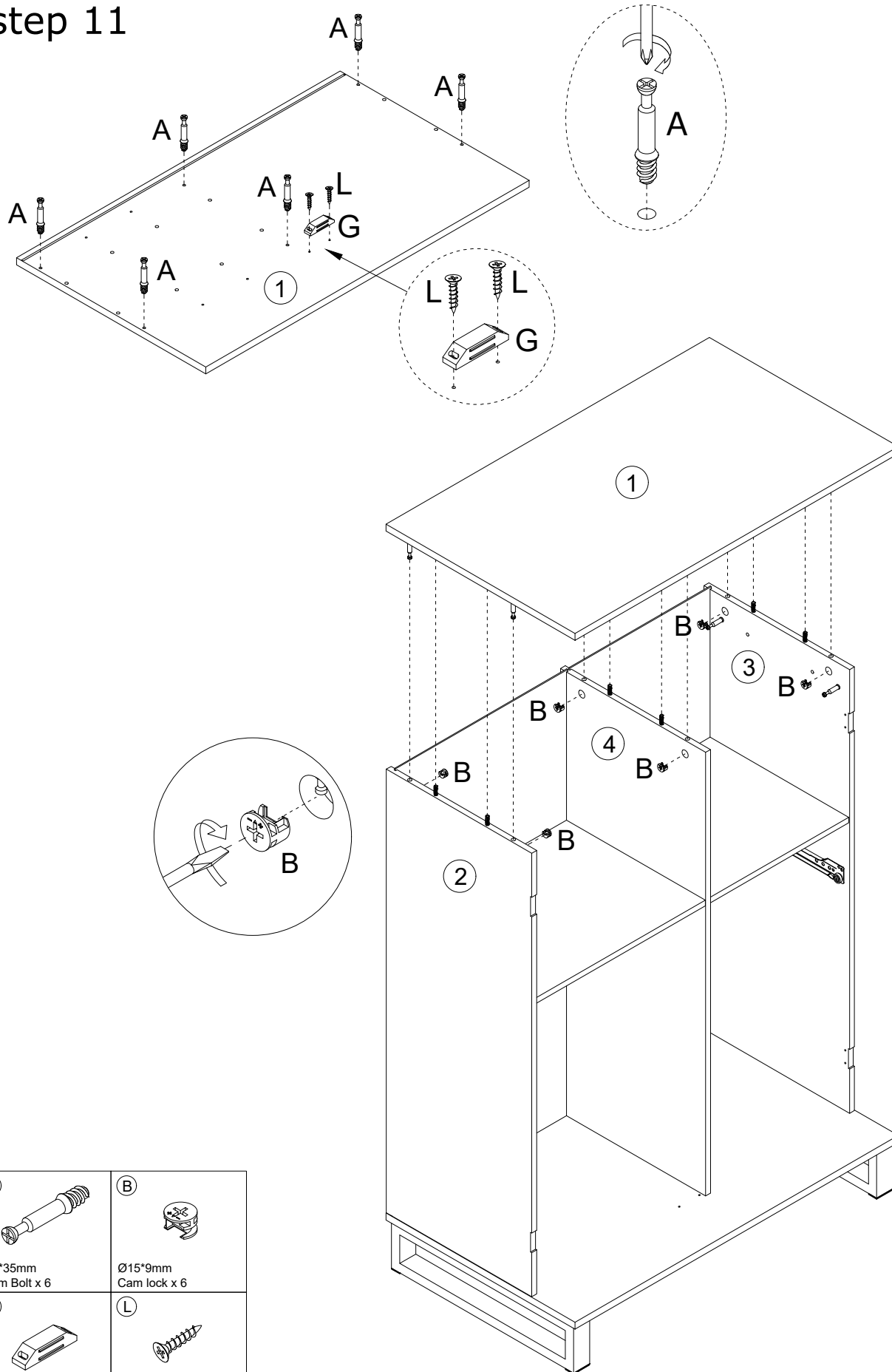


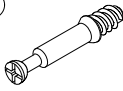



step 10



Assembly Instructions

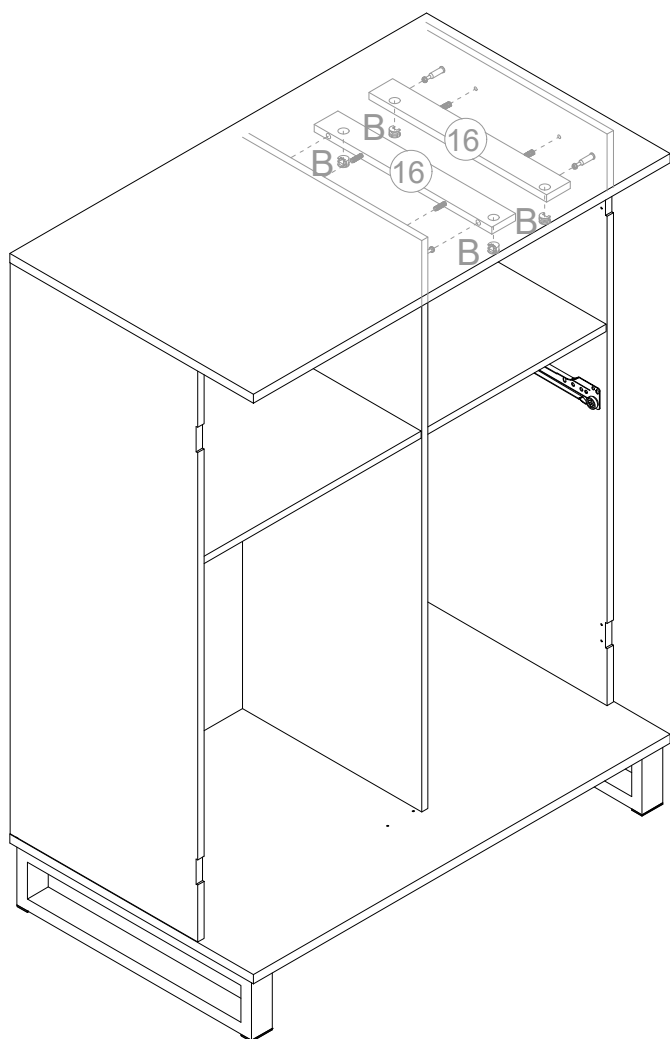
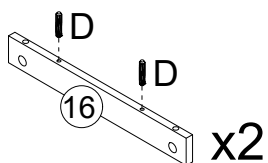
step 11



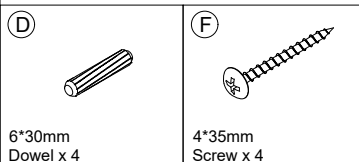
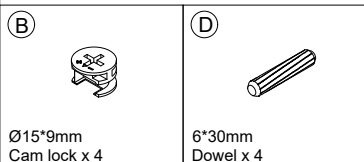
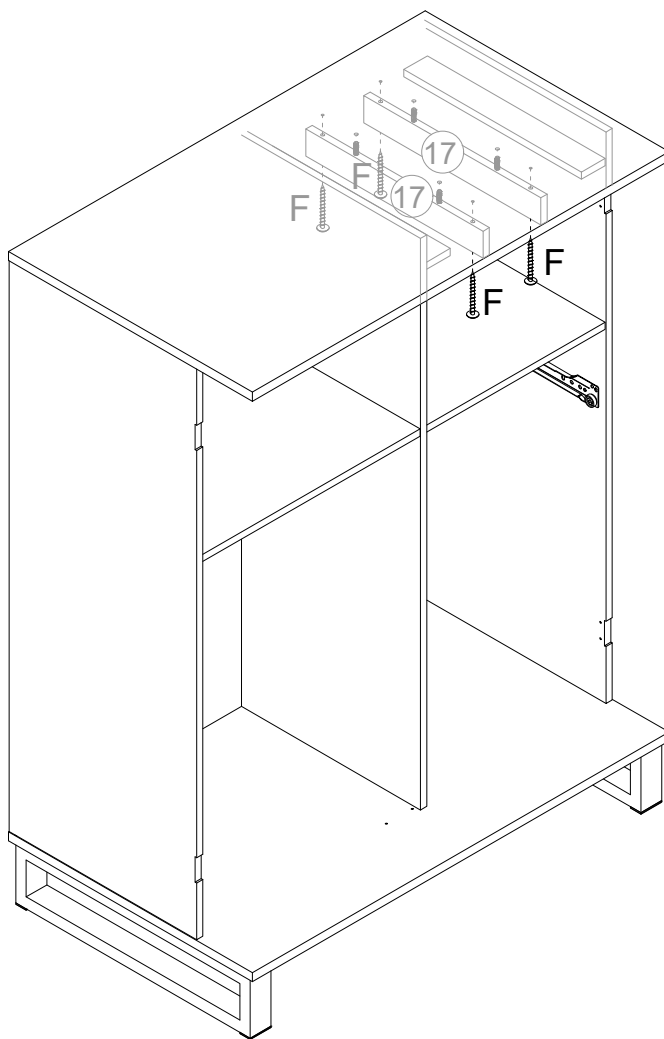
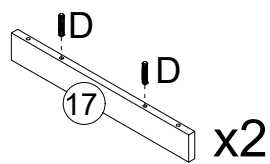
| | |
|--|--|
|  Ø6*35mm Cam Bolt x 6 |  Ø15*9mm Cam lock x 6 |
|  Magnetic collision x 1 |  3*14mm Screw x 2 |

Assembly Instructions

step 12

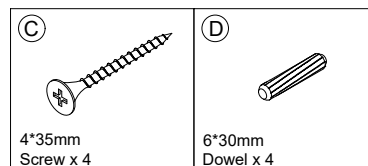
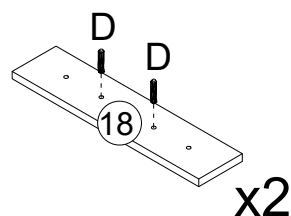
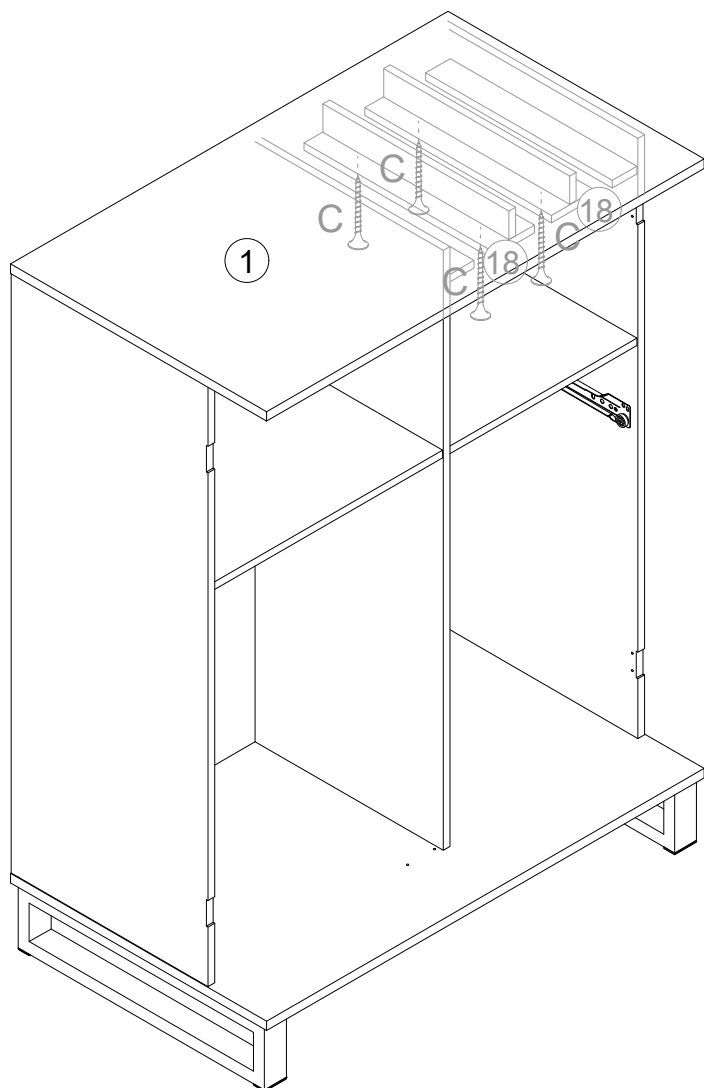


step 13

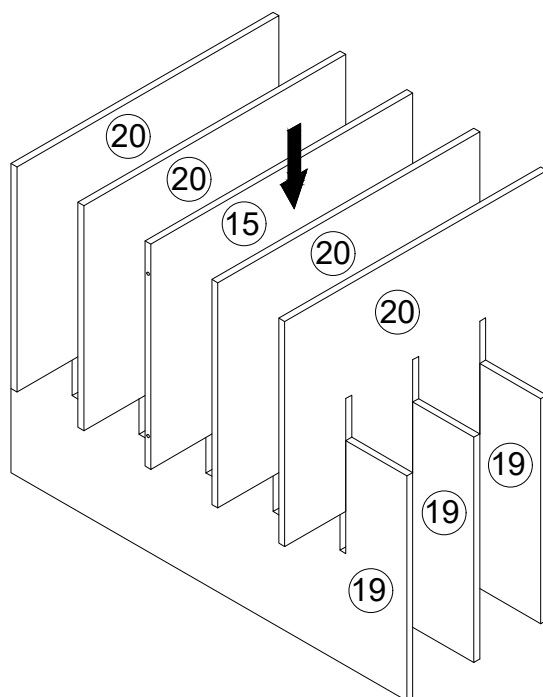


Assembly Instructions

step 14

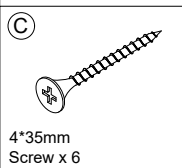
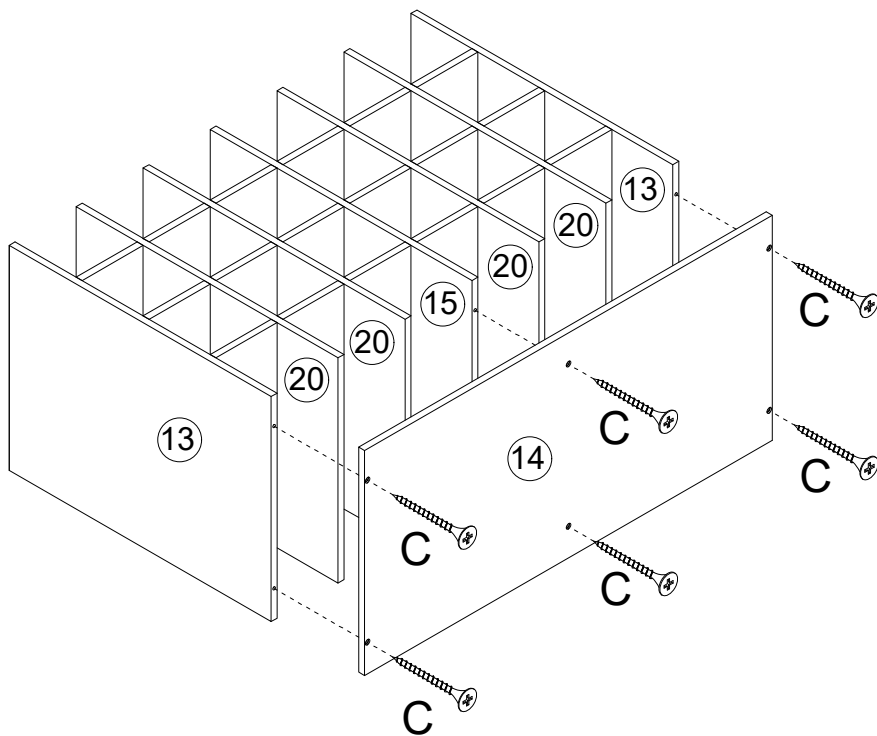


step 15

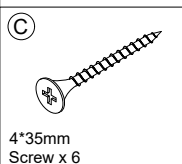
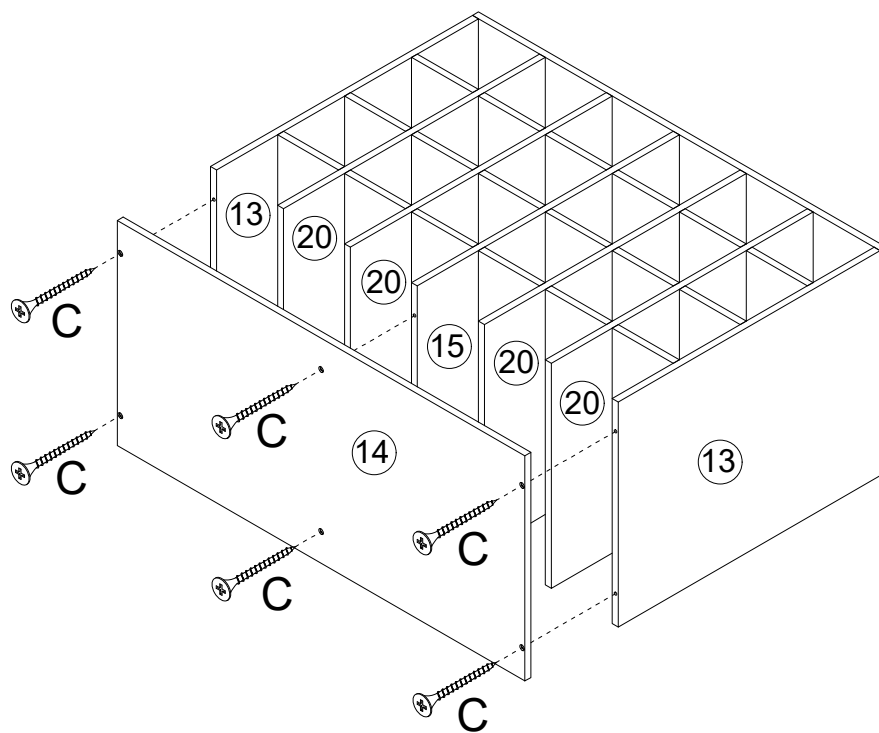


Assembly Instructions

step 16

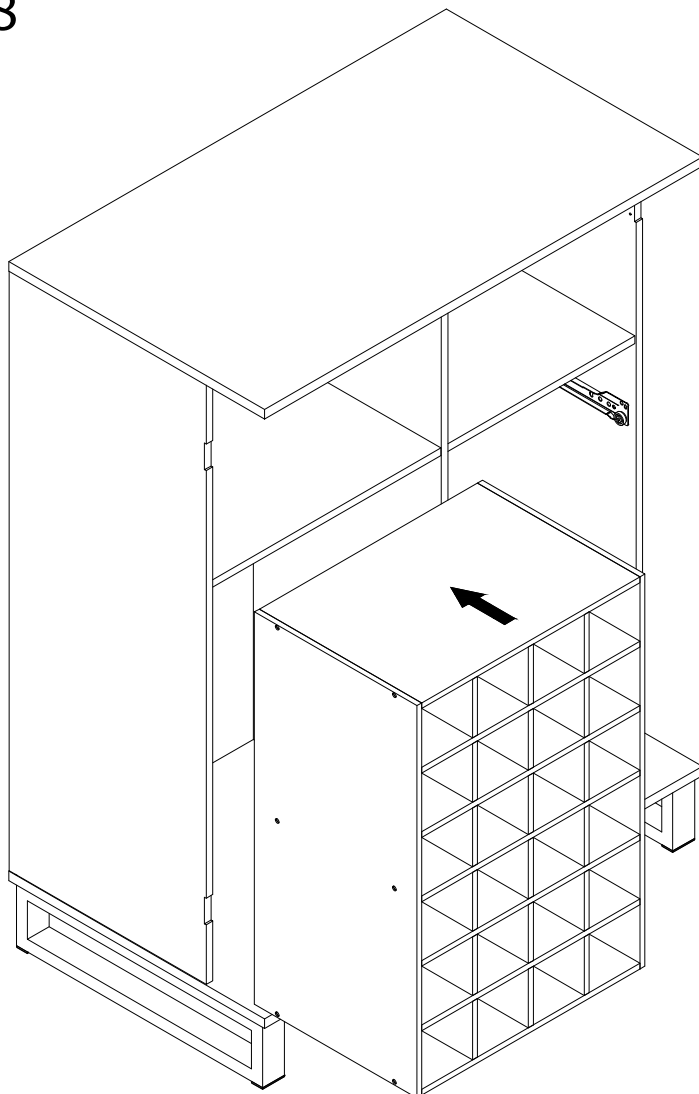


step 17

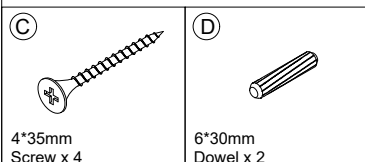
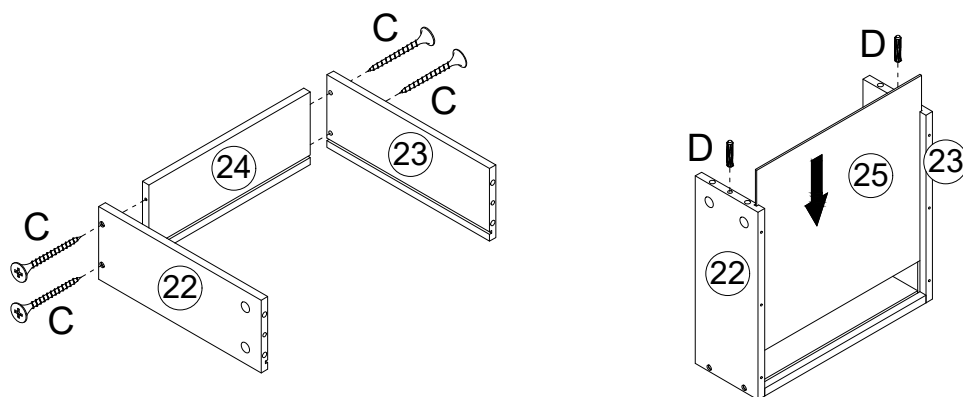


Assembly Instructions

step 18

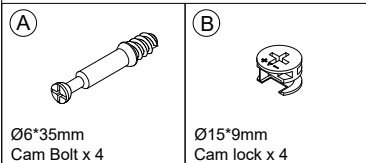
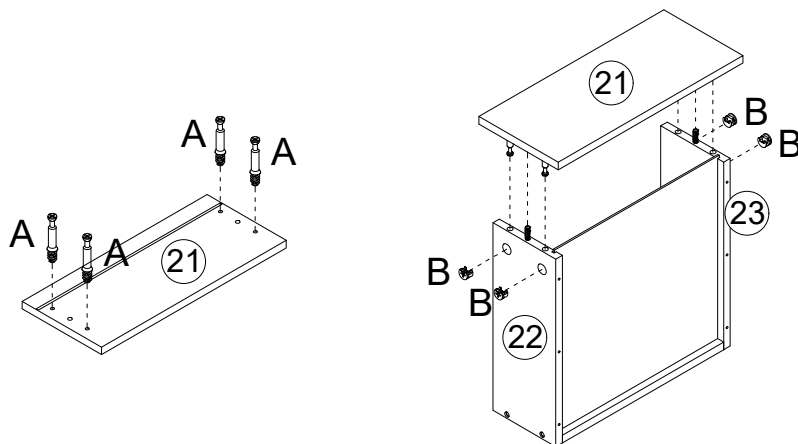


step 19

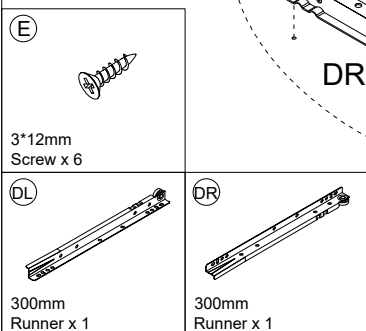
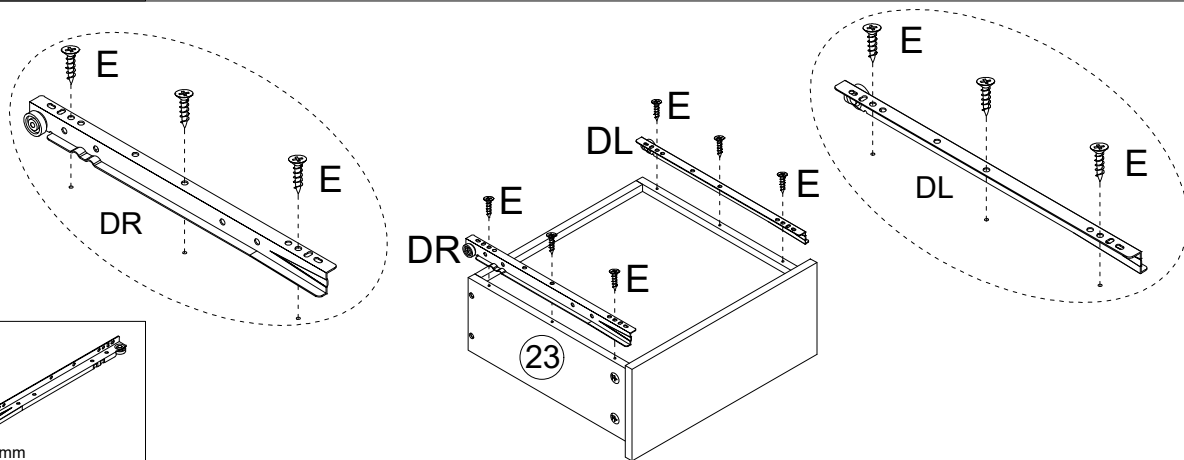


Assembly Instructions

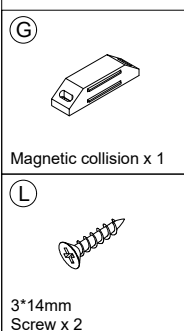
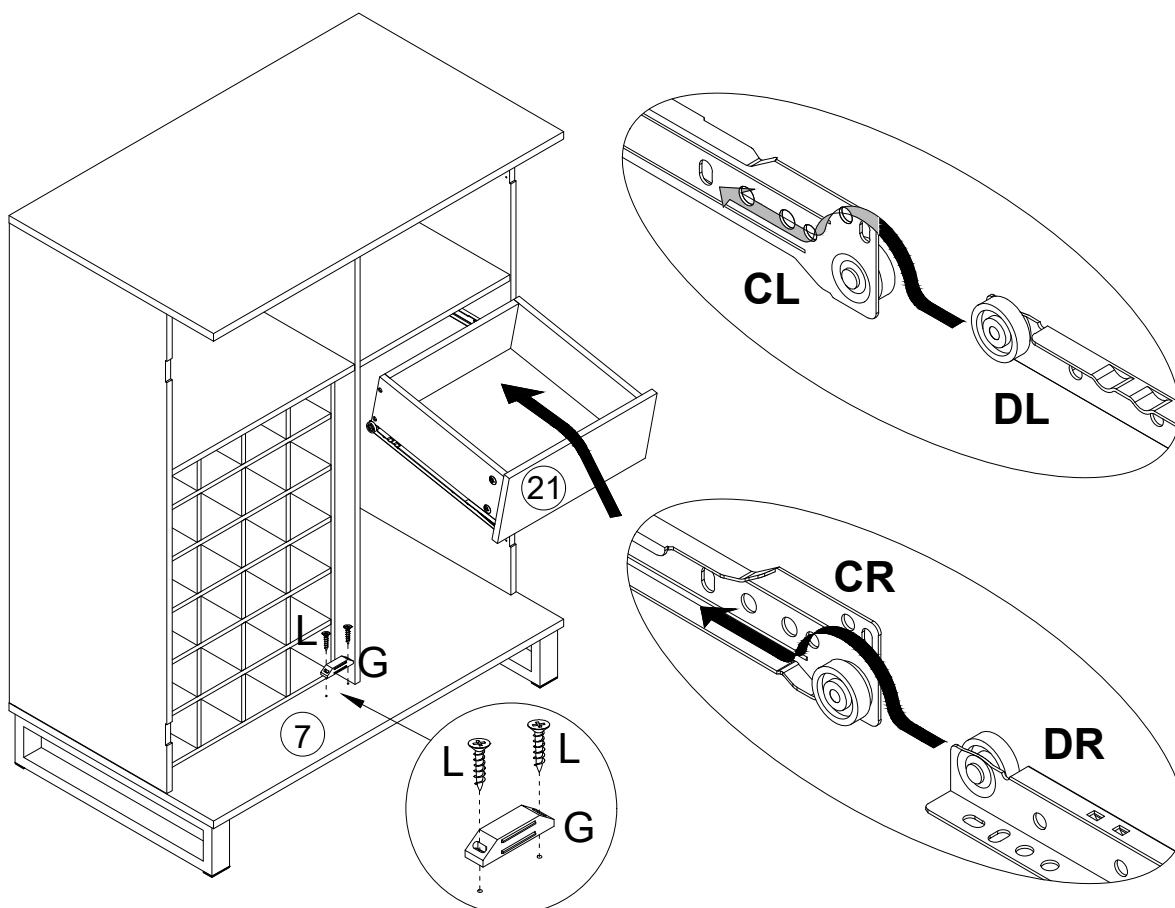
step 20



step 21

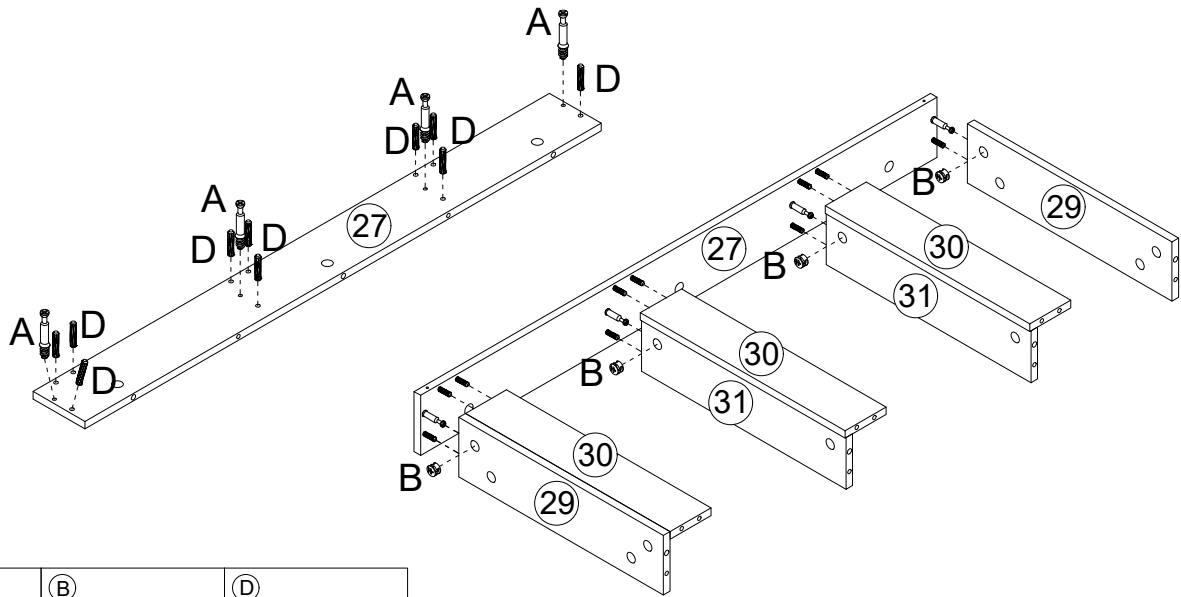


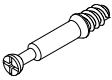

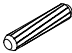
step 22



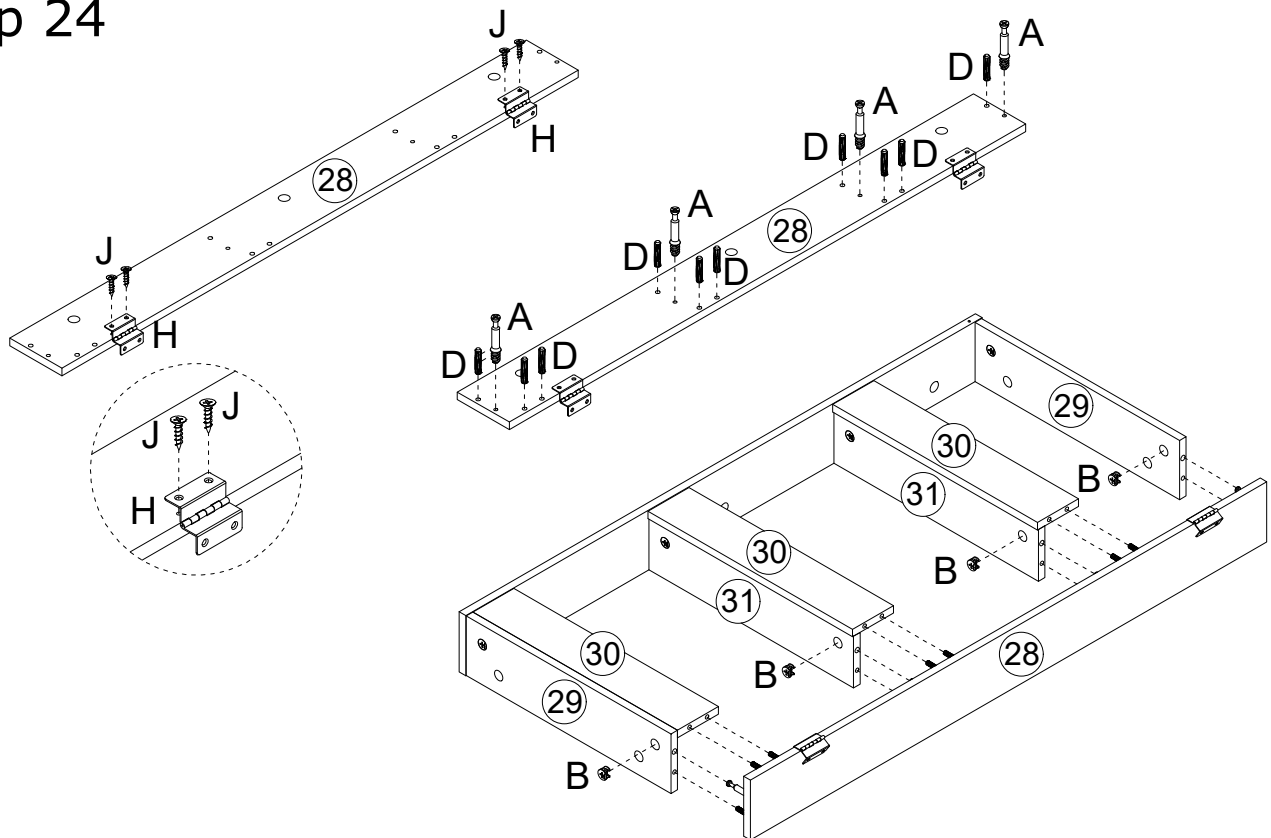
Assembly Instructions

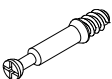



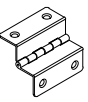
step 23



| | | |
|--|--|---|
| <p>(A)</p>  <p>Ø6*35mm Cam Bolt x 4</p> | <p>(B)</p>  <p>Ø15*9mm Cam lock x 4</p> | <p>(D)</p>  <p>6*30mm Dowel x 10</p> |
|--|--|---|

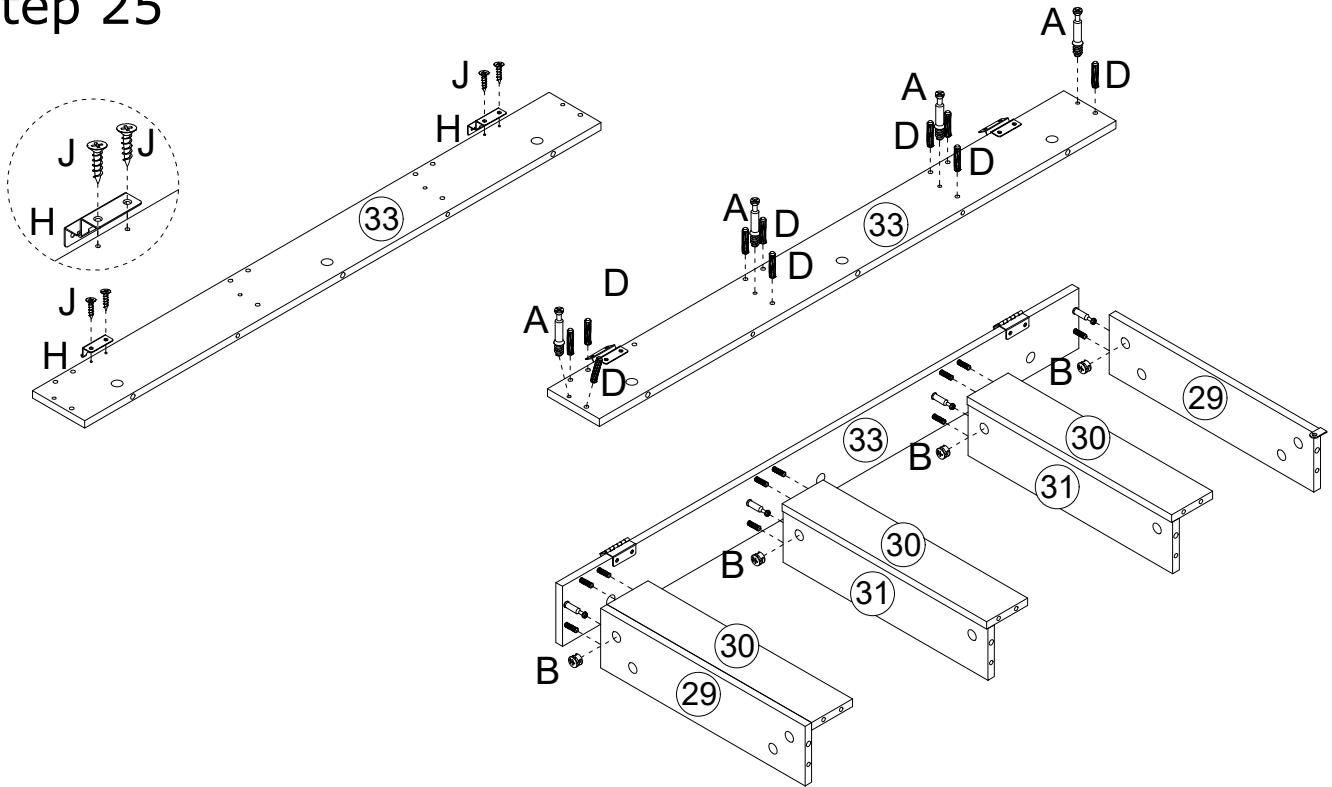
step 24

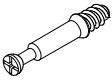



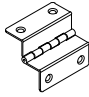


| | | | | |
|--|--|---|--|---|
| <p>(A)</p>  <p>Ø6*35mm Cam Bolt x 4</p> | <p>(B)</p>  <p>Ø15*9mm Cam lock x 4</p> | <p>(D)</p>  <p>6*30mm Dowel x 10</p> | <p>(J)</p>  <p>3.5*12mm Screw x 4</p> | <p>(H)</p>  <p>Hinge x 2</p> |
|--|--|---|--|---|

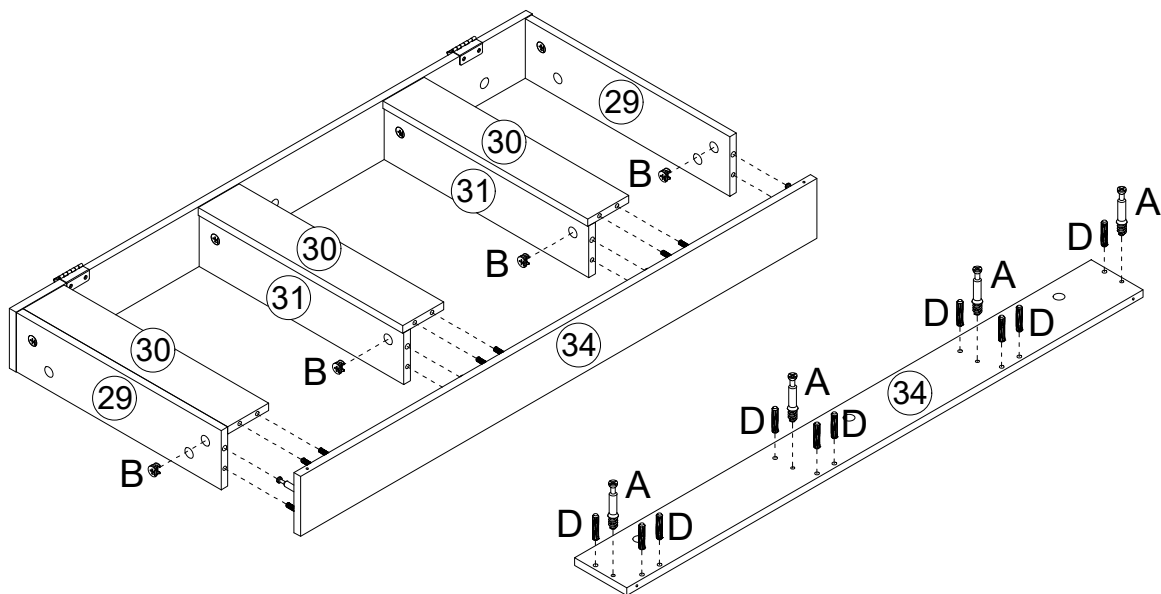
Assembly Instructions

step 25



| | | | | |
|--|--|---|--|---|
| <p>(A) </p> <p>Ø6*35mm Cam Bolt x 4</p> | <p>(B) </p> <p>Ø15*9mm Cam lock x 4</p> | <p>(D) </p> <p>6*30mm Dowel x 10</p> | <p>(J) </p> <p>3.5*12mm Screw x 4</p> | <p>(H) </p> <p>Hinge x 2</p> |
|--|--|---|--|---|

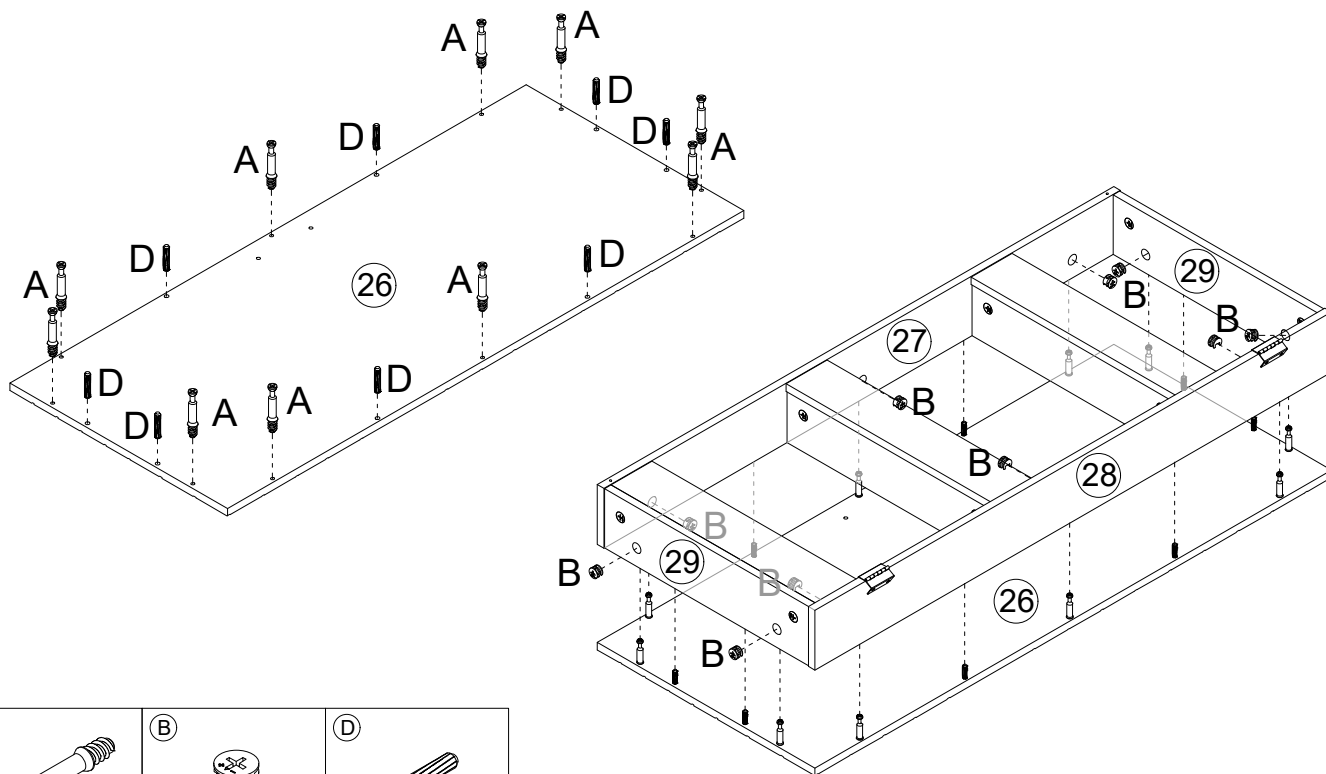
step 26



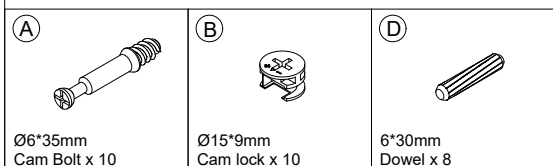
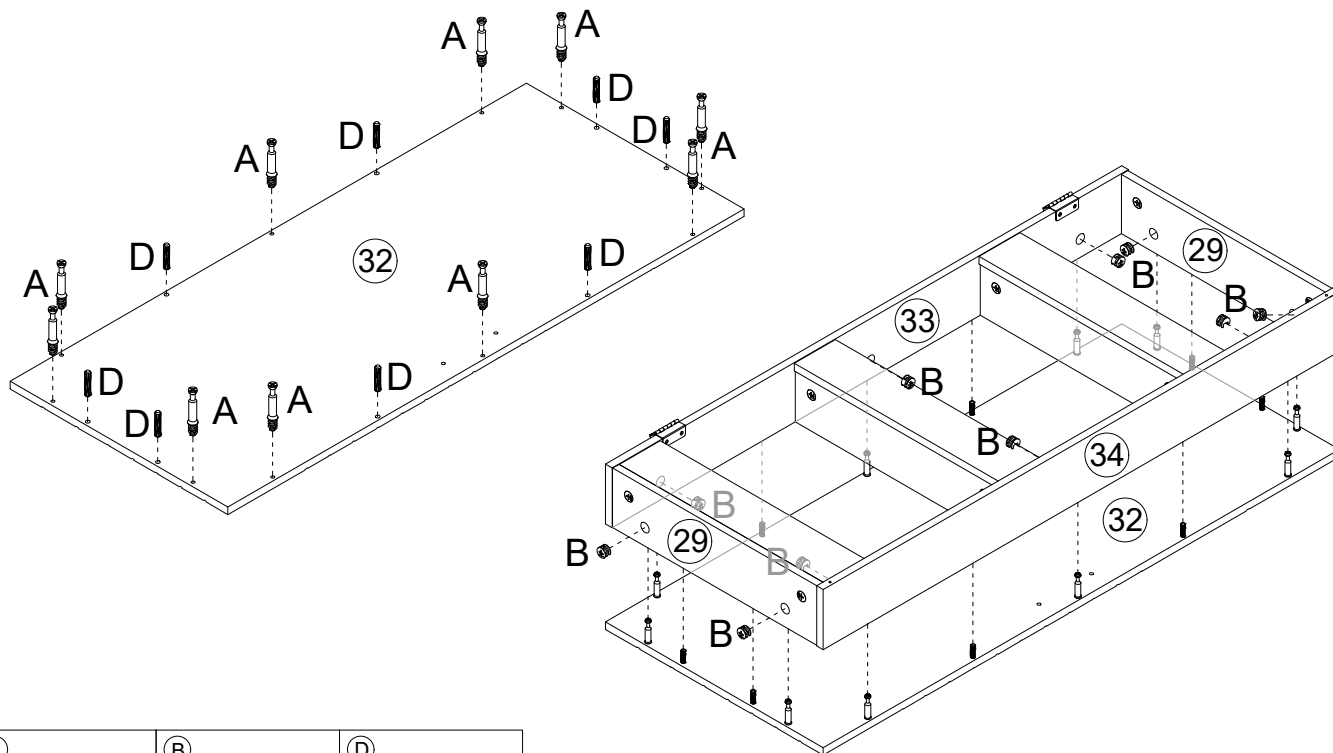
| | | |
|--|--|---|
| <p>(A) </p> <p>Ø6*35mm Cam Bolt x 4</p> | <p>(B) </p> <p>Ø15*9mm Cam lock x 4</p> | <p>(D) </p> <p>6*30mm Dowel x 10</p> |
|--|--|---|

Assembly Instructions

step 27

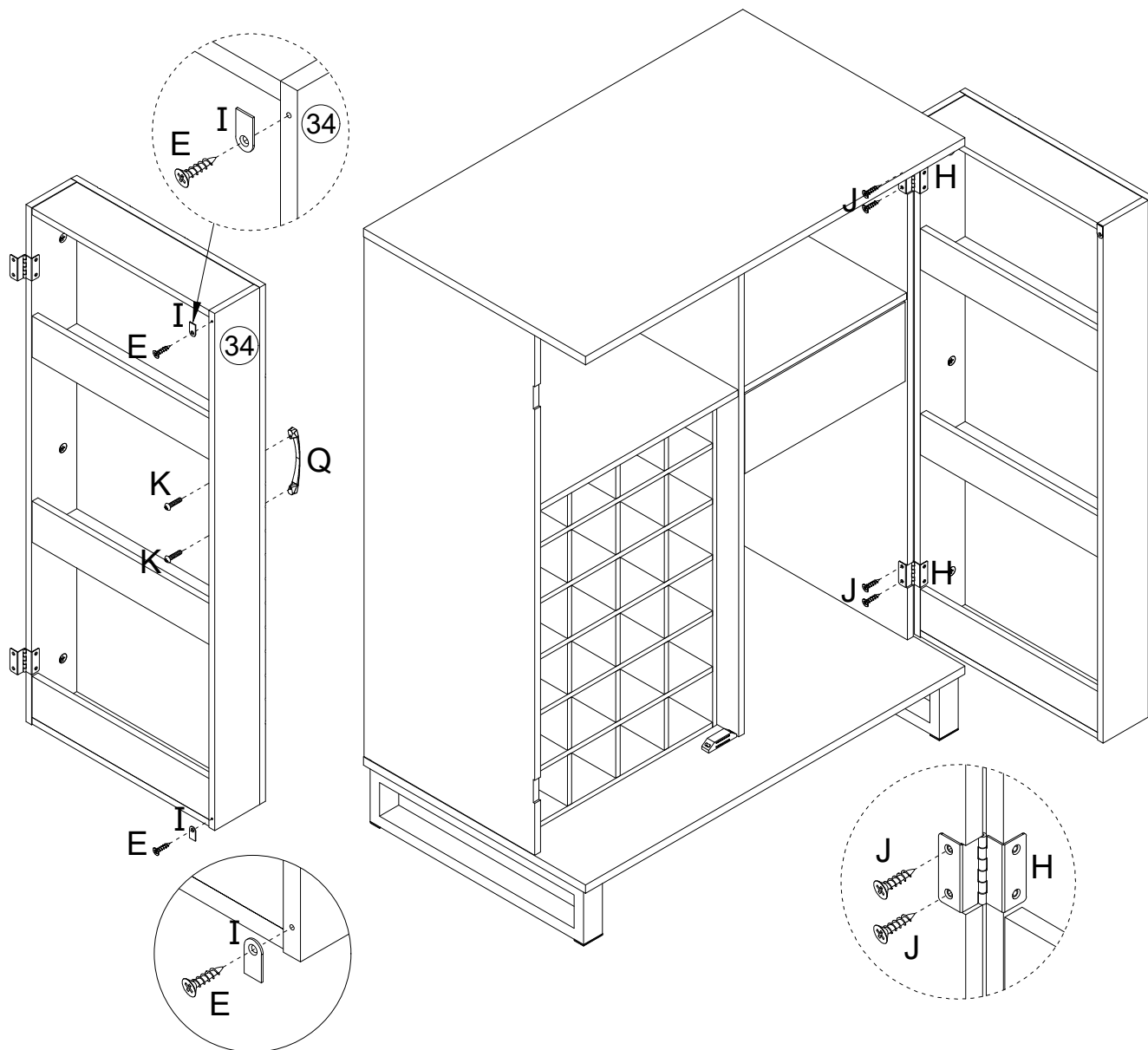







step 28



Assembly Instructions

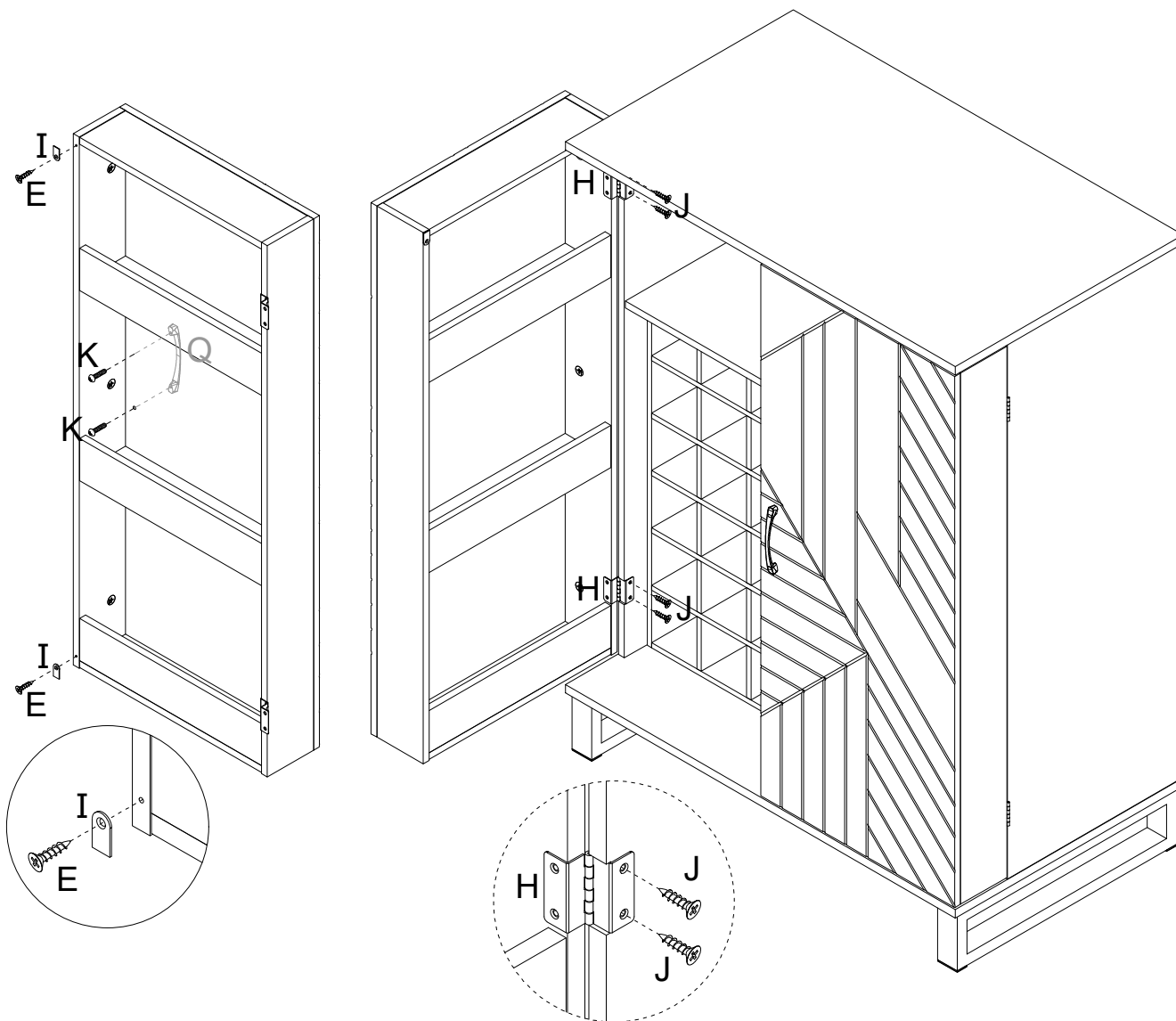
step 29





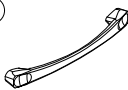


| | | | | |
|--|---|--|--|---|
|  3*12mm Screw x 2 |  Iron sheet x 2 |  3.5*12mm Screw x 4 |  4*16mm Screw x 2 |  Handle x 1 |
|--|---|--|--|---|

Assembly Instructions

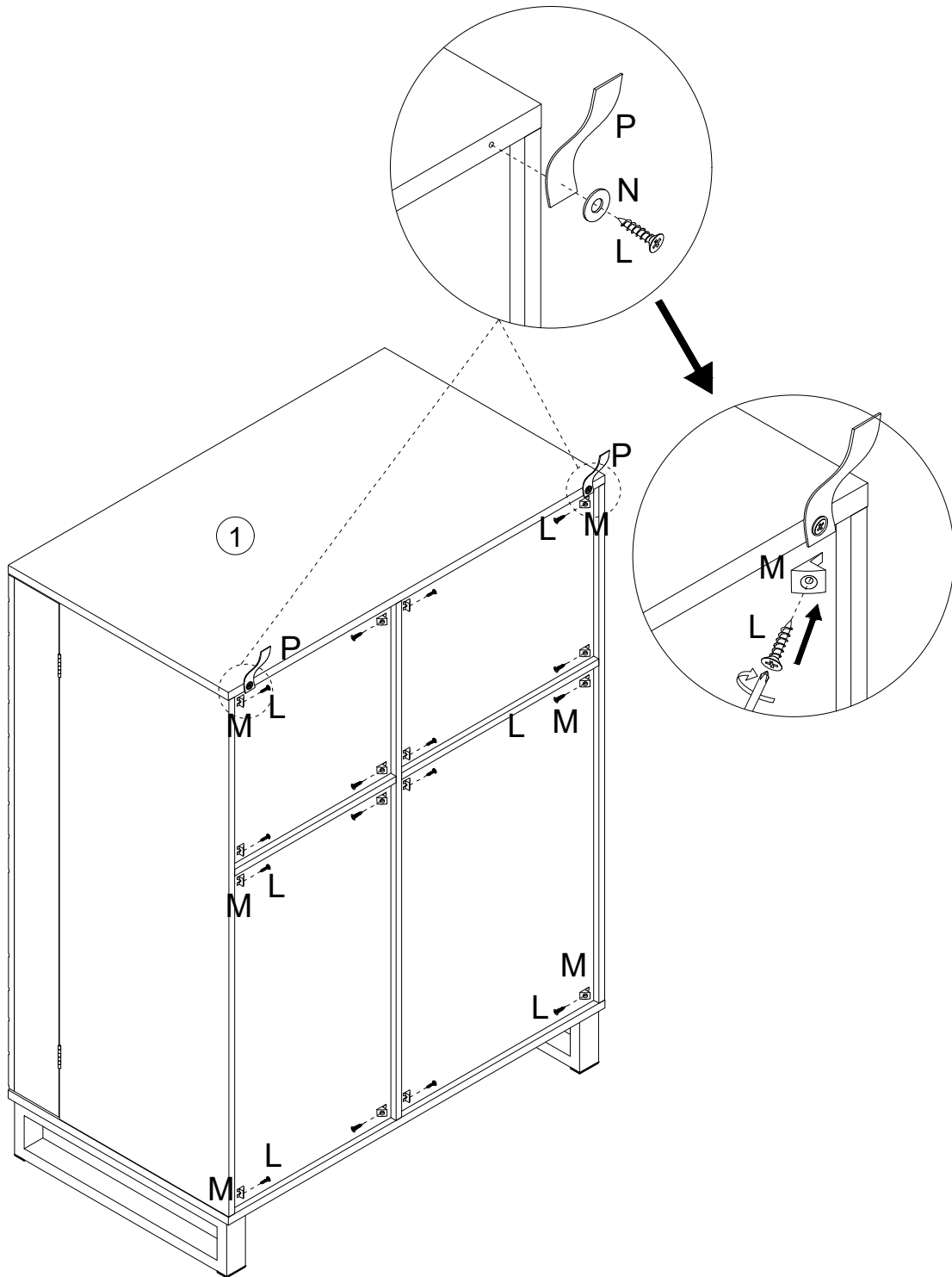
step 30

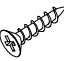





| | | | | |
|--|--|--|--|--|
| <p>(E)</p>  <p>3*12mm Screw x 2</p> | <p>(I)</p>  <p>Iron sheet x 2</p> | <p>(J)</p>  <p>3.5*12mm Screw x 4</p> | <p>(K)</p>  <p>4*16mm Screw x 2</p> | <p>(Q)</p>  <p>Handle x 1</p> |
|--|--|--|--|--|

Assembly Instructions

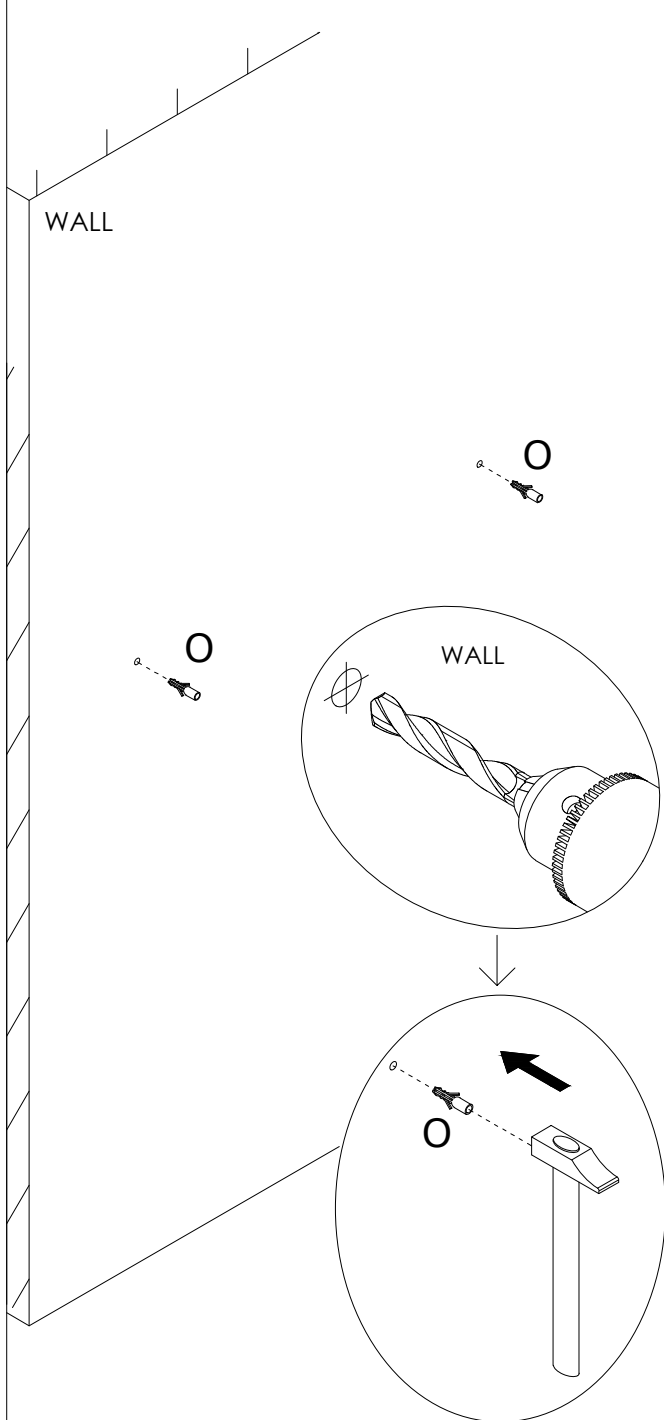
step 31



| | | | |
|---|---|--|---|
| <p>(L)</p>  <p>3*14mm Screw x 18</p> | <p>(M)</p>  <p>Plastic Nail x 16</p> | <p>(N)</p>  <p>Shim x 2</p> | <p>(P)</p>  <p>Strap x 2</p> |
|---|---|--|---|

Assembly Instructions

step 32



step 33

