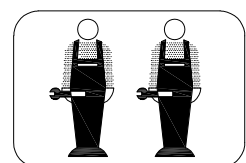
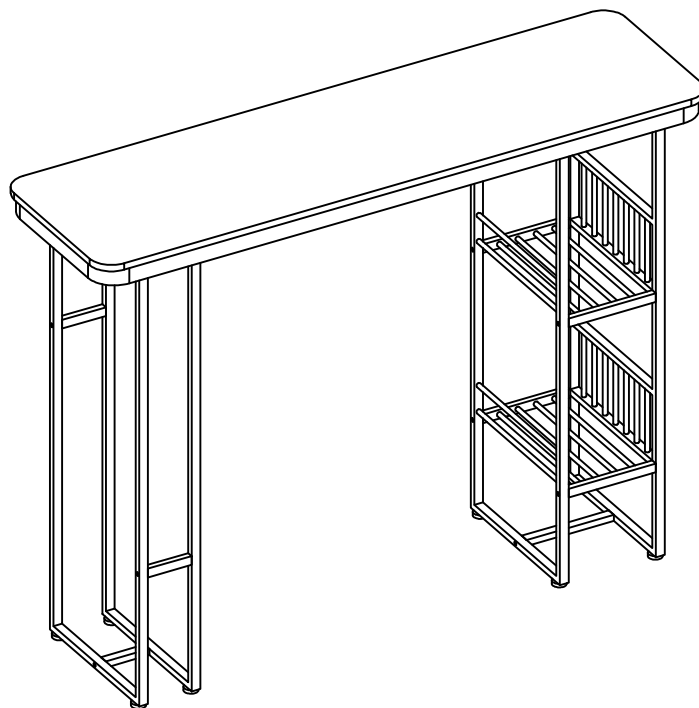
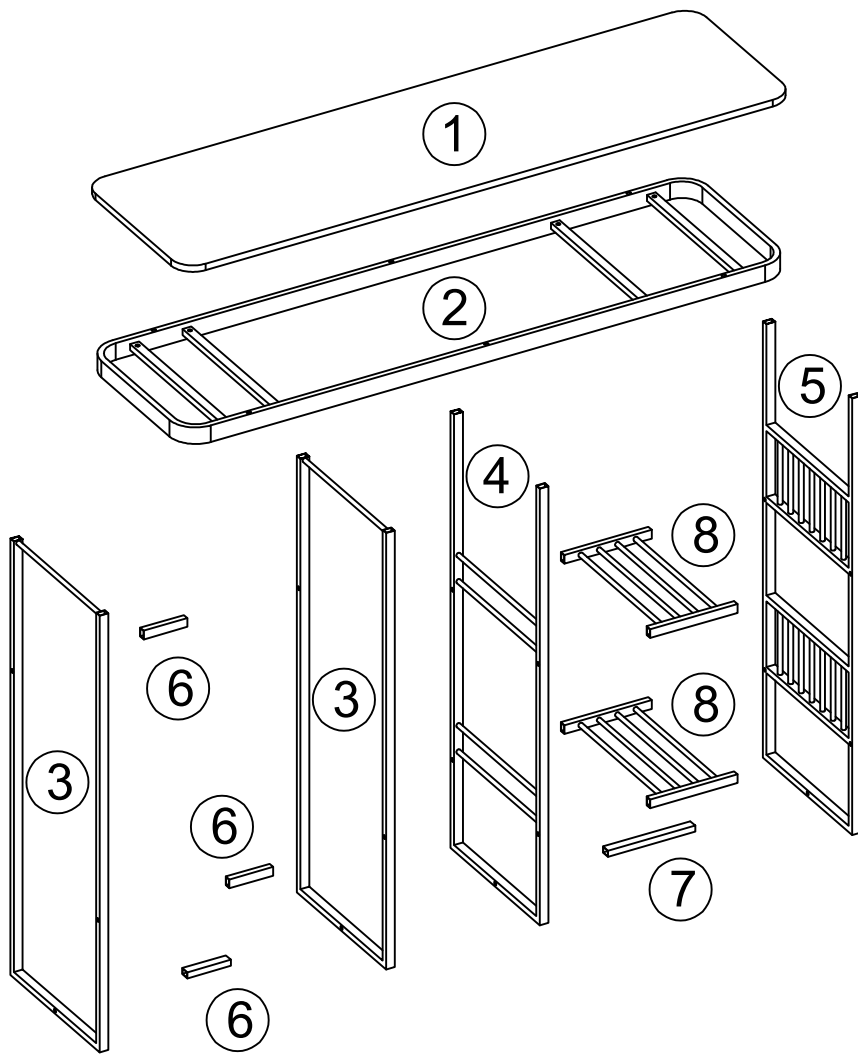


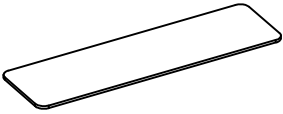
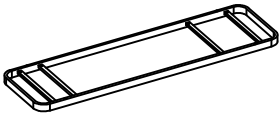
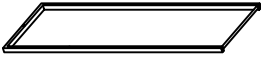




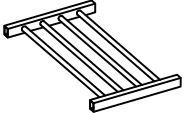
# ASSEMBLY INSTRUCTIONS

WF322497

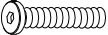
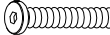
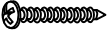
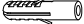







## Part List

			
①×1pc	②×1pc	③×2pcs	④×1pc
			
⑤×1pc	⑥×3pcs	⑦×1pc	⑧×2pcs

## Hardware List

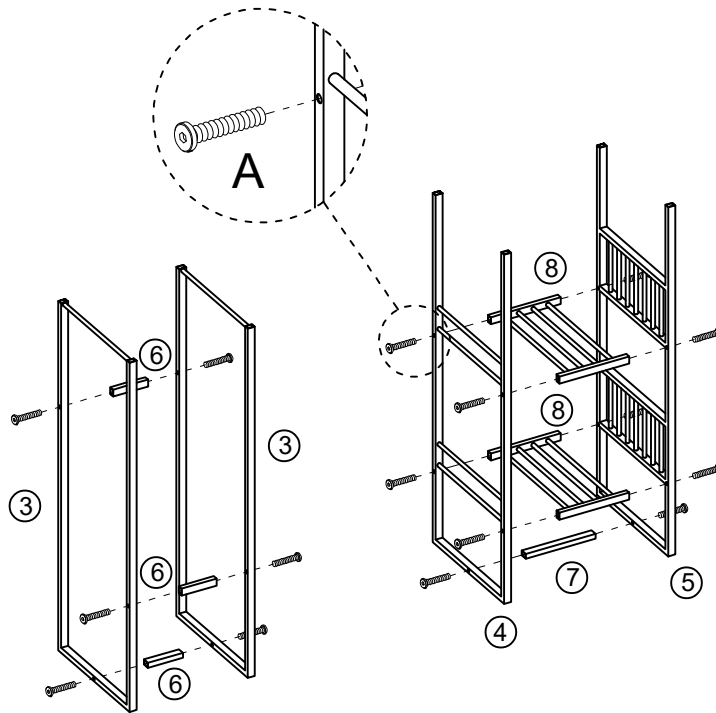
 M6×40mm	 M6×48mm	 4×35mm	 φ6×30mm	
Ⓐ×24pcs	Ⓑ×6pcs	Ⓒ×2pcs	Ⓓ×2pcs	Ⓔ×2pcs
				
Ⓕ×8pcs	Ⓖ×1pc			

# Step 1



M6×40mm

(A) ×16pcs

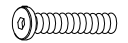


M6×40mm



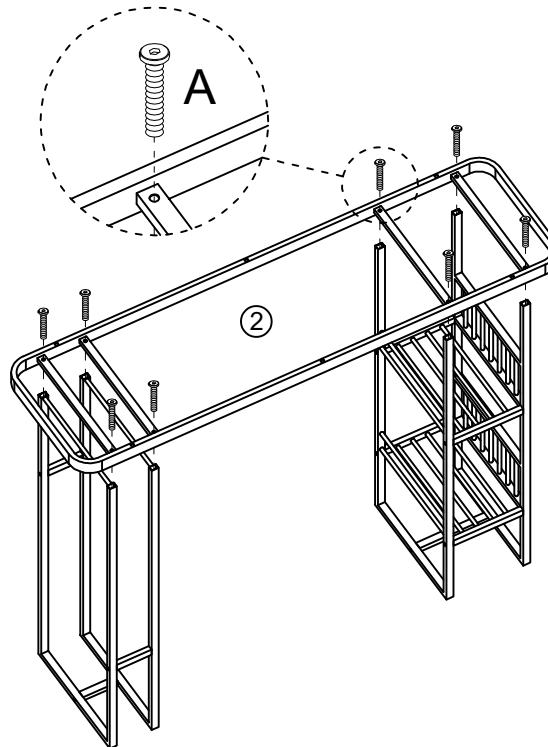
~~M6×48mm~~

# Step 2



M6×40mm

(A) ×8pcs

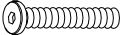



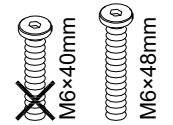
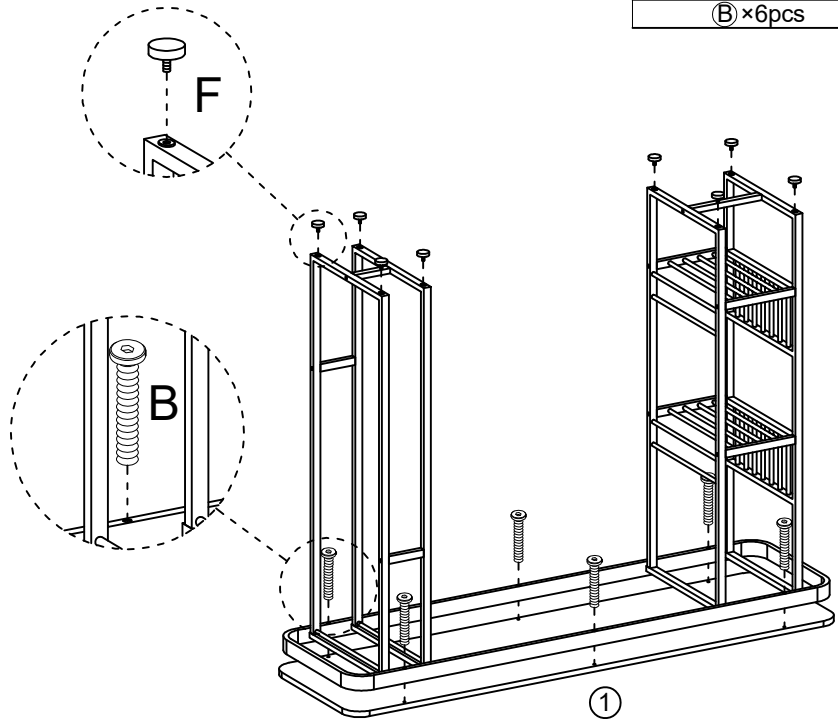
M6×40mm



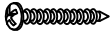


~~M6×48mm~~

# Step 3

	
M6×48mm	
(B)×6pcs	(F)×8pcs



# Step 4

		
4×35mm	φ6×30mm	
(C)×2pcs	(D)×2pcs	(E)×2pcs

