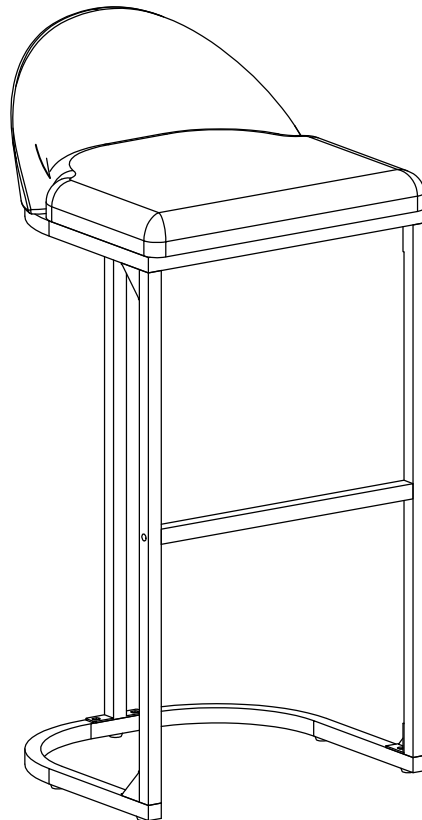


# BAR STOOLS

WF321653



## **IMPORTANT NOTE:**

- PLACE ALL PARTS ON A CLEAN AND SMOOTH SURFACE SUCH AS A RUG OR CARPET TO AVOID THE PARTS FROM BEING SCRATCHED.
- BEFORE YOU BEGIN, KINDLY FOLLOW THE ASSEMBLY INSTRUCTIONS STEP BY STEP.
- DO NOT TIGHTEN ALL SCREWS AND BOLTS UNTIL THE TABLE IS FULLY SET-UP.



# Safety and Care Advice

**Important** – Please read these instructions fully before starting assembly

- Check you have all the components and tools listed on the following pages.
- Remove all fittings from the plastic bags and separate them into their groups.
- Keep children and animals away from the work area, small parts could choke if swallowed.
- Make sure you have enough space to layout the parts before starting.

- During assembly do not stand or put weight on the product, this could cause damage.
- Assemble the item as close to its final position (in the same room) as possible.
- Assemble on a soft level surface to avoid damaging the unit or your floor.
- Parts of the assembly will be easier with 2 people.



power drill is set on a low torque setting.

- To reduce the likelihood of damaging your product please ensure that your

## Care and maintenance

- Only clean using a damp cloth and mild detergent, do not use bleach or abrasive cleaners.

- From time to time check that there are no loose screws on this unit.

- This product should not be discarded with household waste. Take to your local authority waste disposal centre.

## Handy Hints

- Assemble all parts and bolts loosely during assembly, only once the product is complete should you fully tighten the bolts

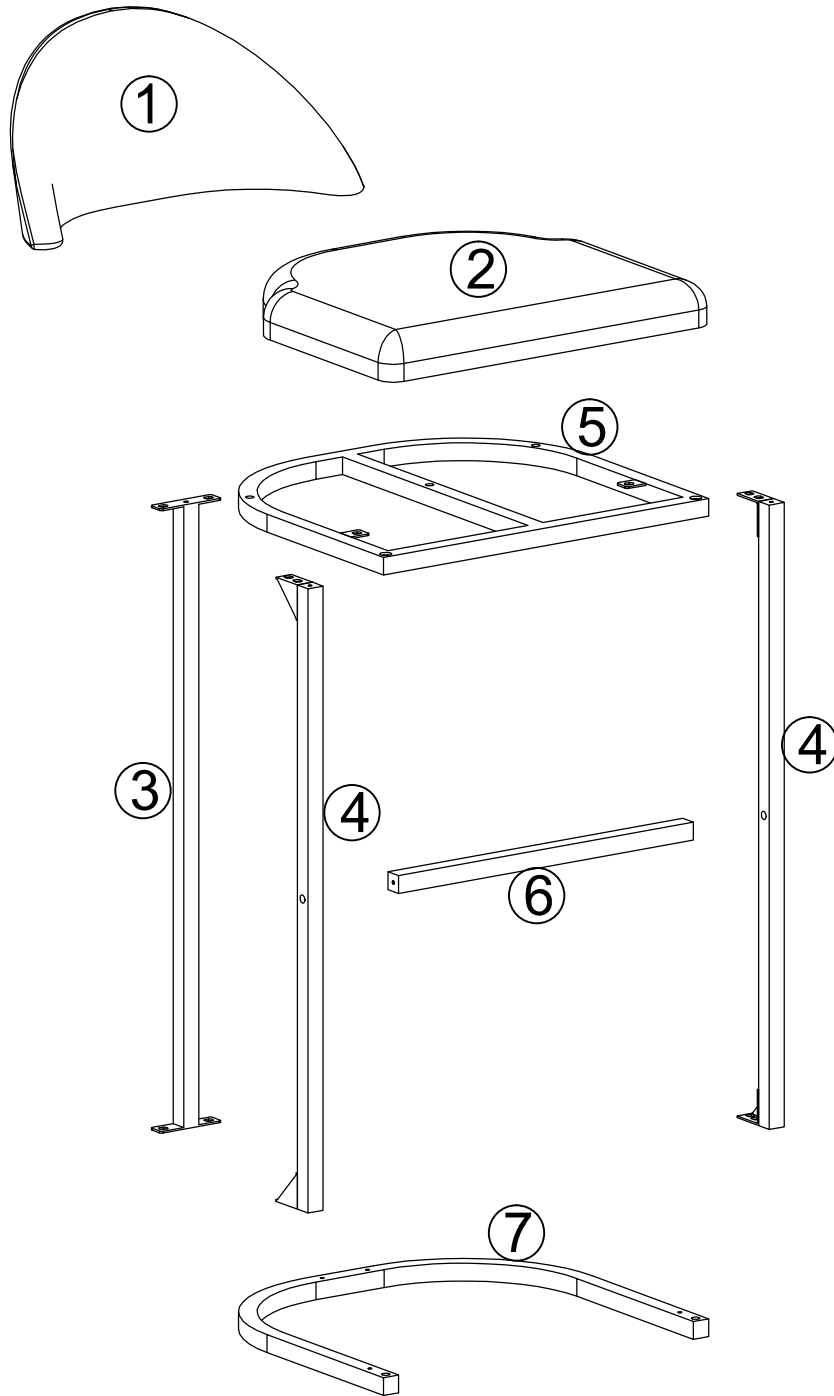
- Regularly check and ensure That all bolts and fittings are tightend properly.

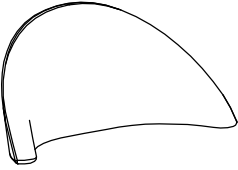
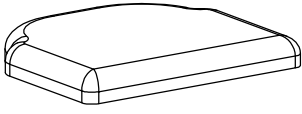
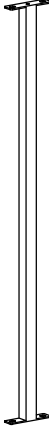
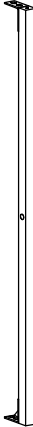
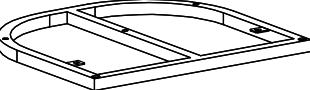
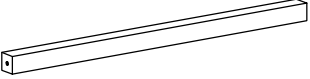

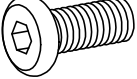
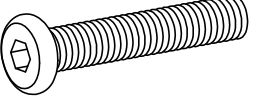
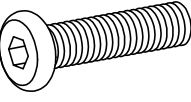
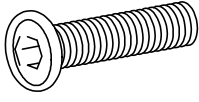
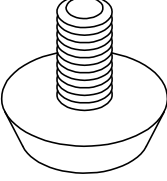
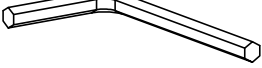
## WARNING

**In order to help prevent overturning – please follow these instructions**

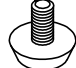
To help prevent product toppling over please follow the below steps:-

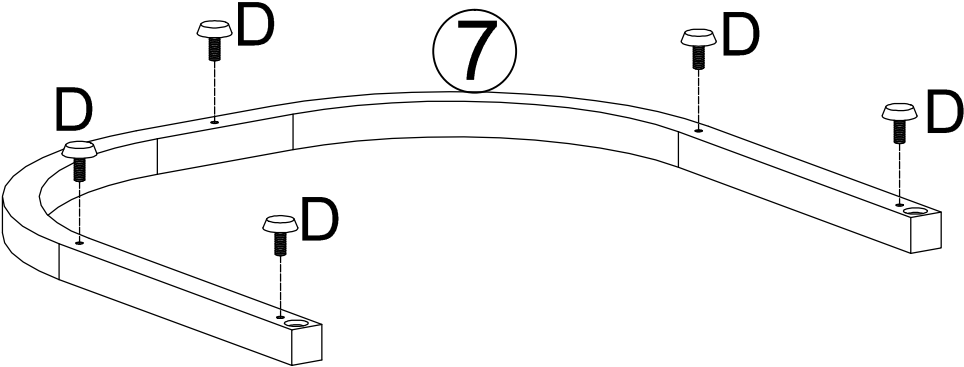
- Use the anti tip stap or wall fixing method provided (if applicable)
- Do not allow children to climb or hang on the furniture
- Do not open more than one drawer at a time
- Do not place heavy items in the top drawers
- Do not place heavy items on top of the furniture, unless the furniture has been designed for this purpose



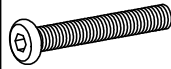
 <p>①x1</p>	 <p>②x1</p>	 <p>③x1</p>	 <p>④x2</p>
 <p>⑤x1</p>	 <p>⑥x1</p>	 <p>⑦x1</p>	
 <p>M6*12</p> <p>A x14</p>	 <p>M6*40</p> <p>B x2</p>	 <p>M6*35</p> <p>C x1</p>	 <p>M6*20</p> <p>D x4</p>
 <p>E x5</p>	 <p>M4</p> <p>F x1</p>		

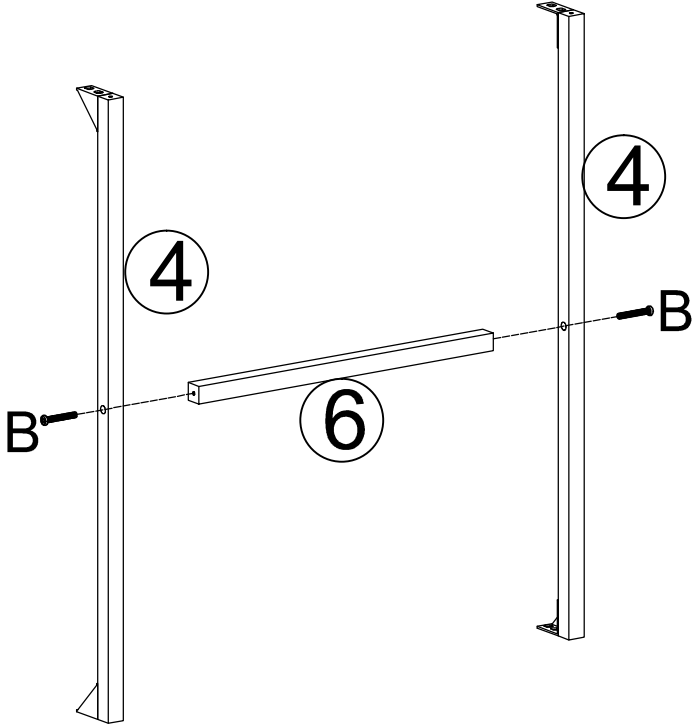
# STEP 1

D		5
---	---	---

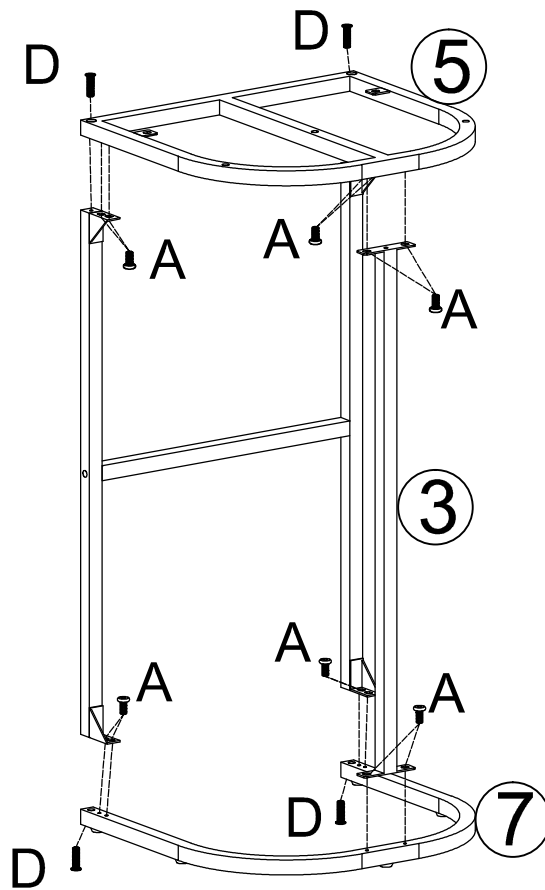


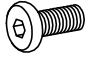
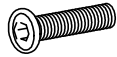
# STEP 2

B		2
---	---	---

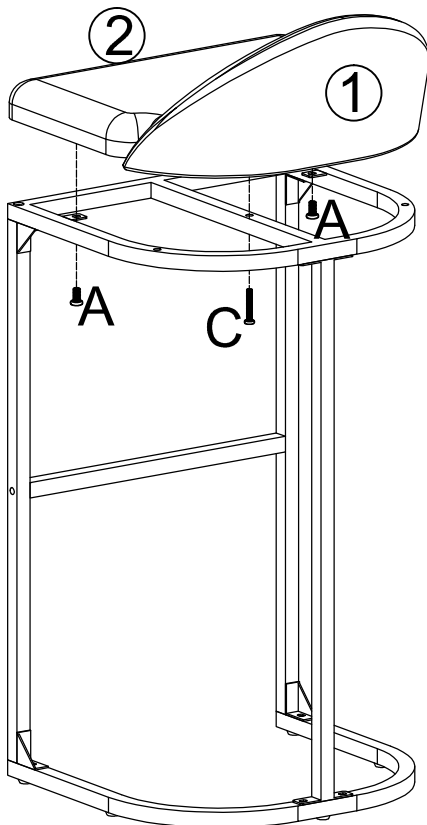


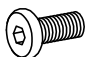

# STEP 3



A		12
D		4

# STEP 4\*2



A		2
C		1

