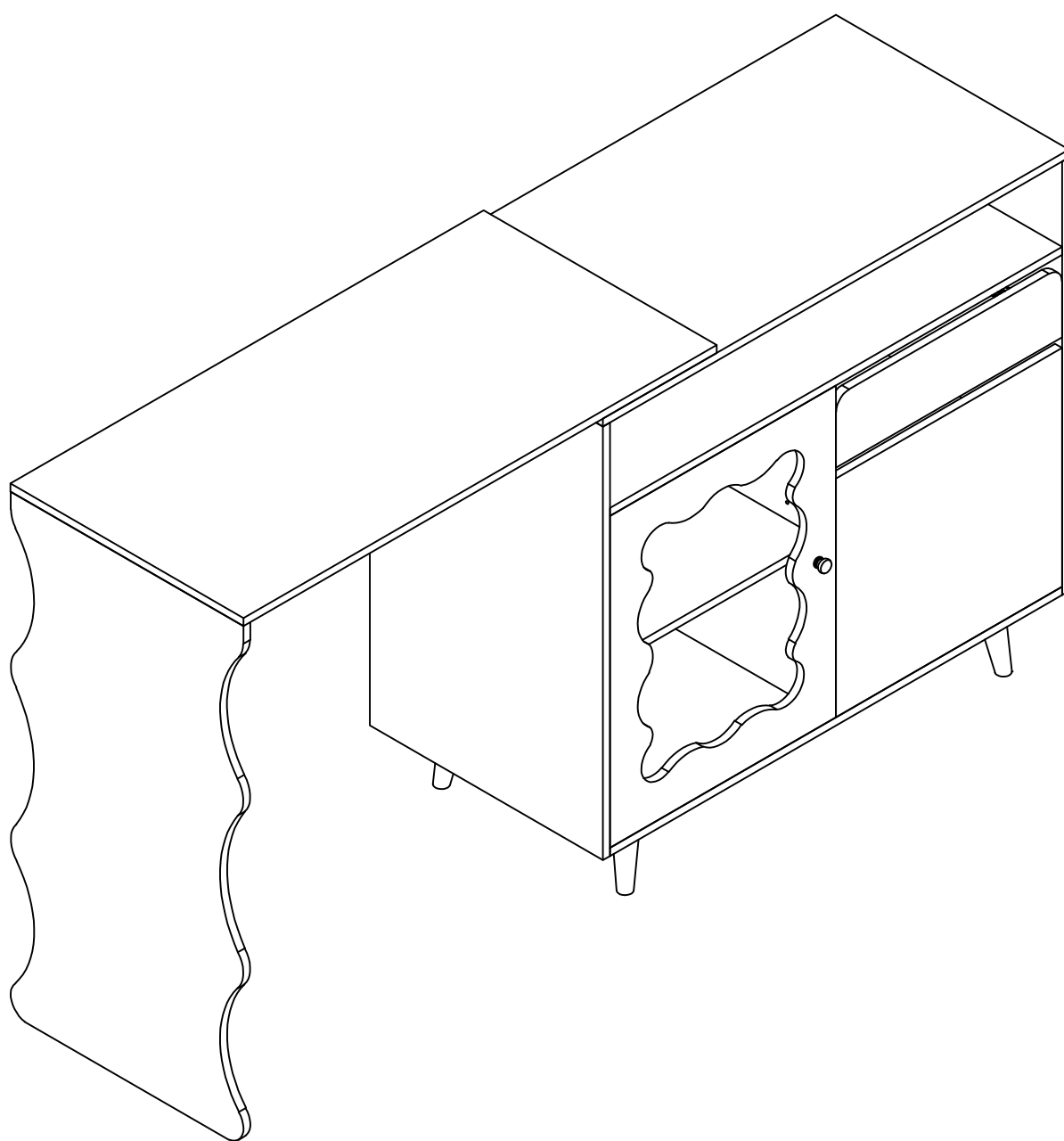


Assembly Instruction



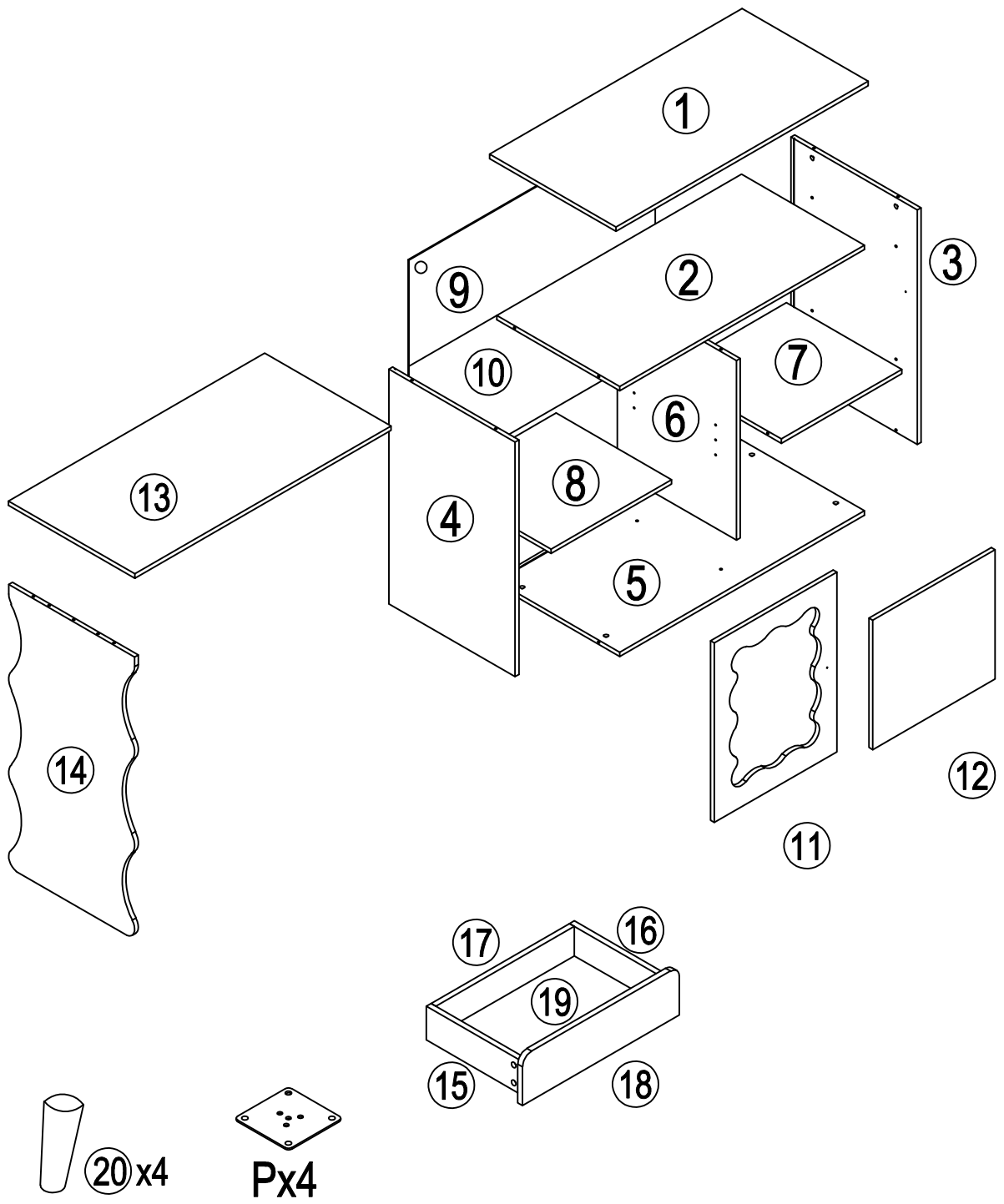
BEFORE STARTING

Before Using Product

- Read each step carefully before starting. It is very important that each step is performed in the correct order. If these steps are not followed in sequence, assembly difficulties will occur.
- Make sure all parts are included.
- Work in a spacious area and near where the unit will be used, preferably on a carpet, or use a piece of the cardboard packaging to protect your floor and product.
- For a smooth assembly process, we suggest you keep a lite tightness for all the screws during assembly. After the whole product is assembled, firmly tighten all the screws.

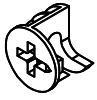
WARNING

- Do not allow children to climb on unit.
- Avoid sharp objects or corrosive chemicals to prevent damage to the product.
- During assembly, keep parts and packaging materials away from children and pets as there could be potential injury and choking hazards.
- Please make sure that all objects are removed before moving the assembled unit.
- The unit must be team lifted, not dragged or pushed. Failure to do so could cause instability, product collapse, and/or serious injury.
- Be careful when using power tools to assemble your furniture. Power tools may strip or damage the parts.

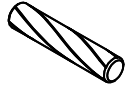




Ax28



Bx28



Cx2

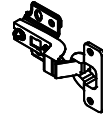


M3x12MM

Dx11



Ex2



Fx4



Gx4



Hx1



Ix1



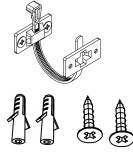
Jx3



Kx3



Lx1



Mx1



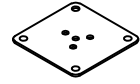
M3x16MM

Nx18



M4x16MM

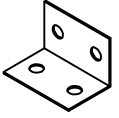
Ox48



Px4



Qx2



Rx2

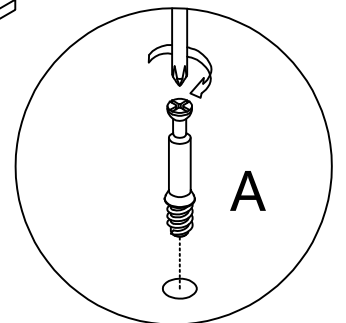
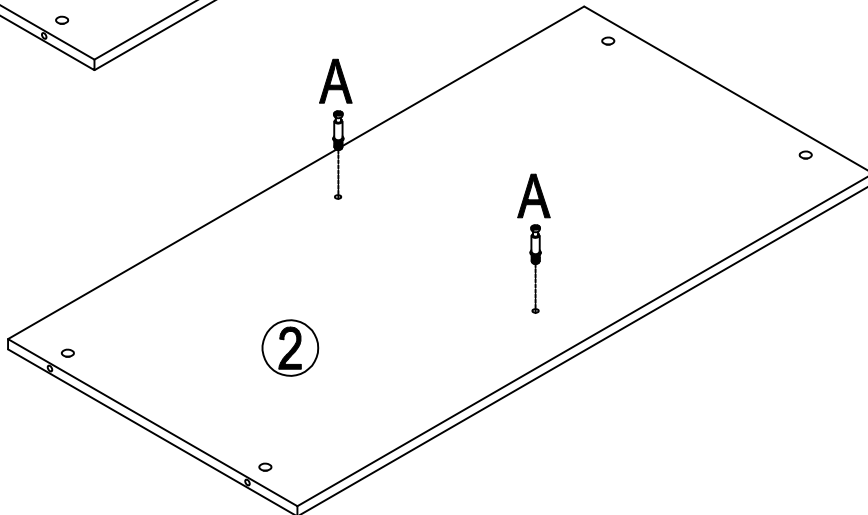
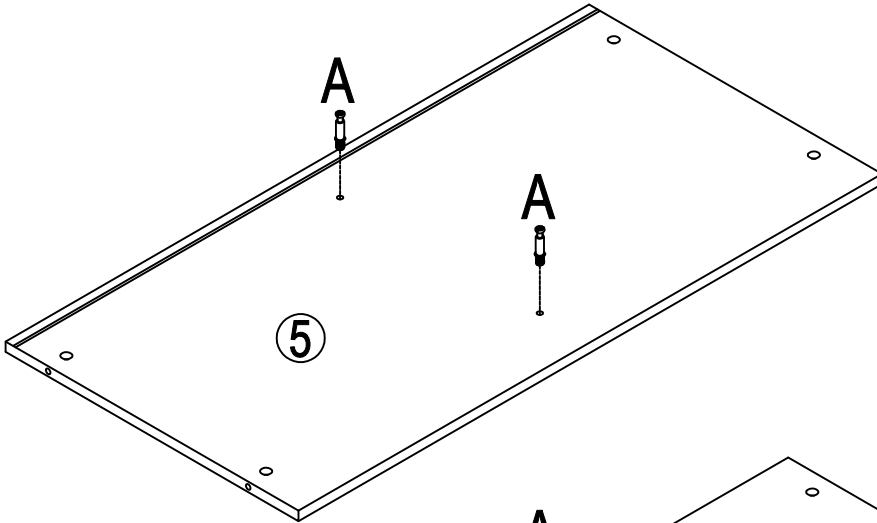


Sx1



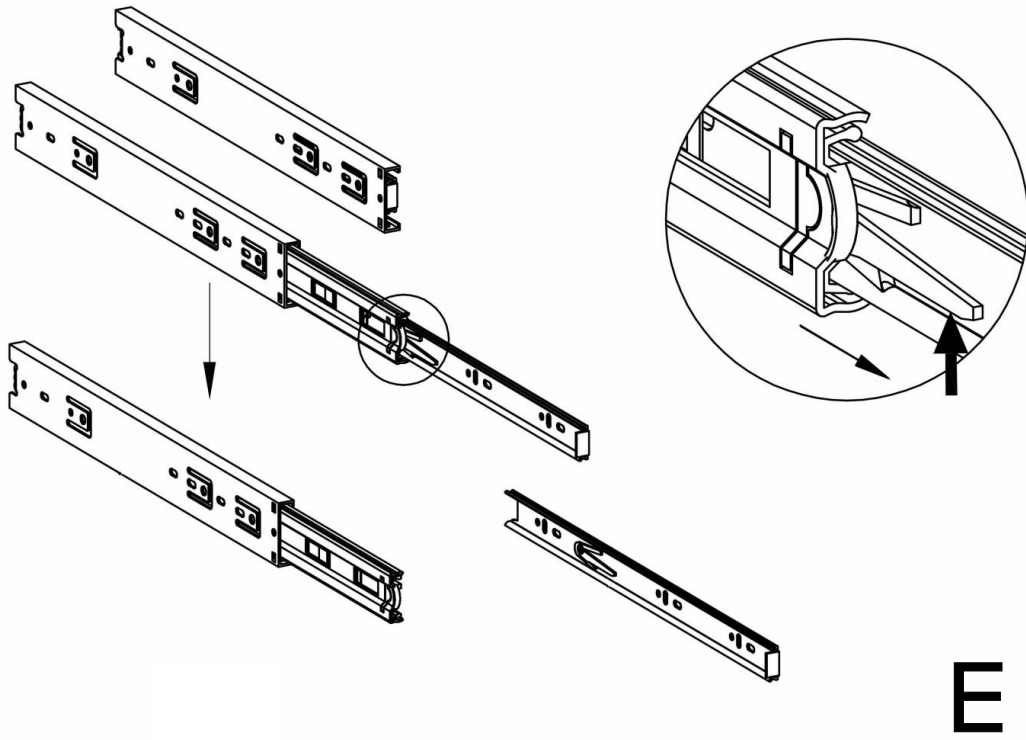
Tx1

STEP 1

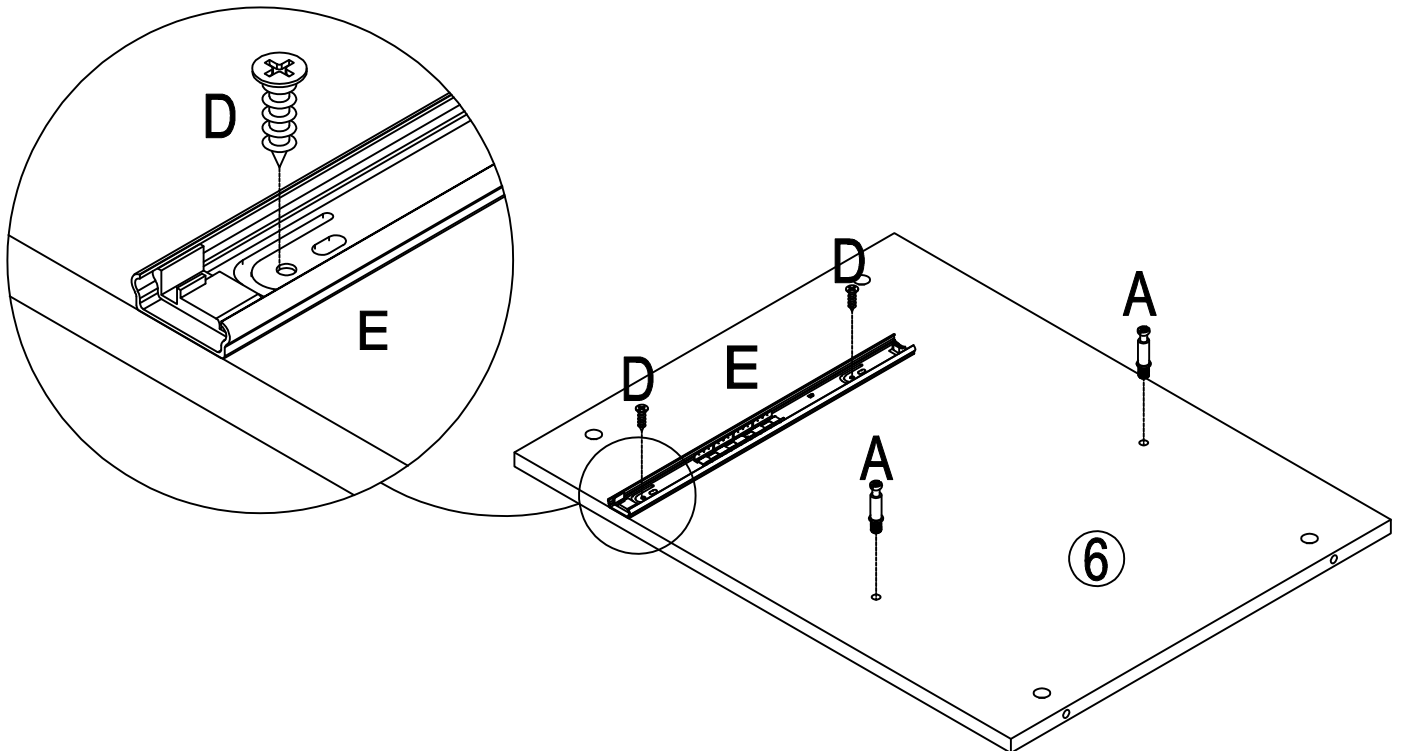


Ax4

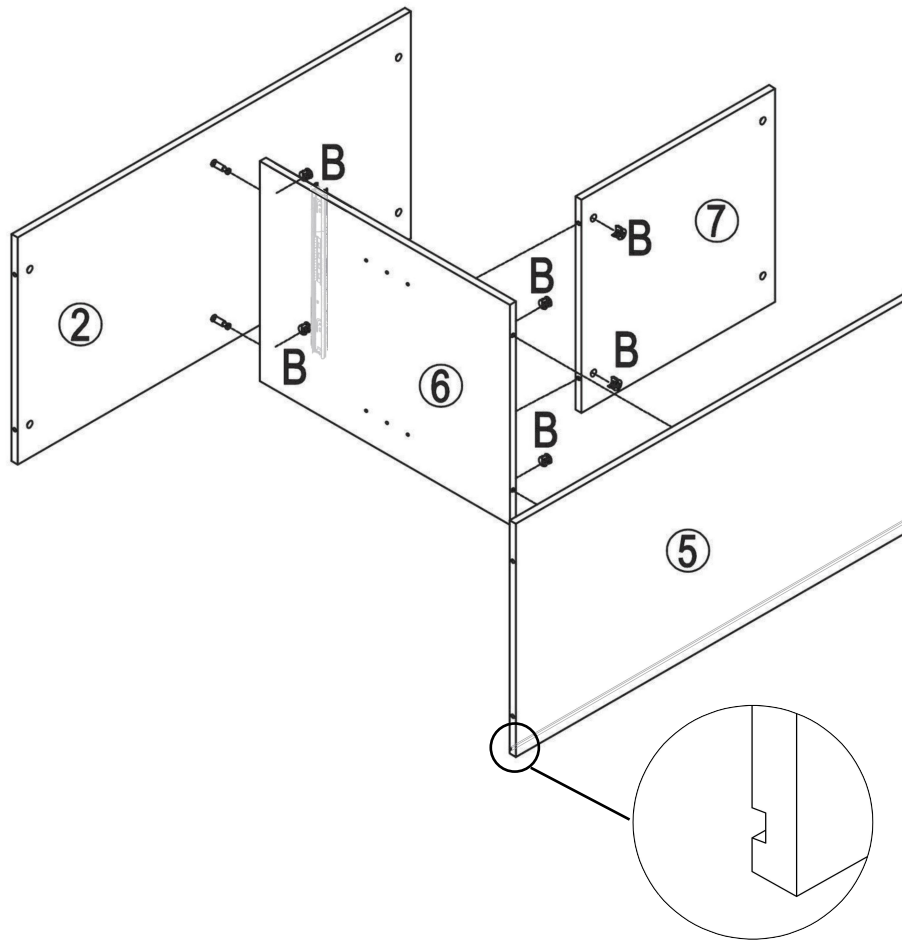
STEP 2



STEP 3

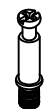
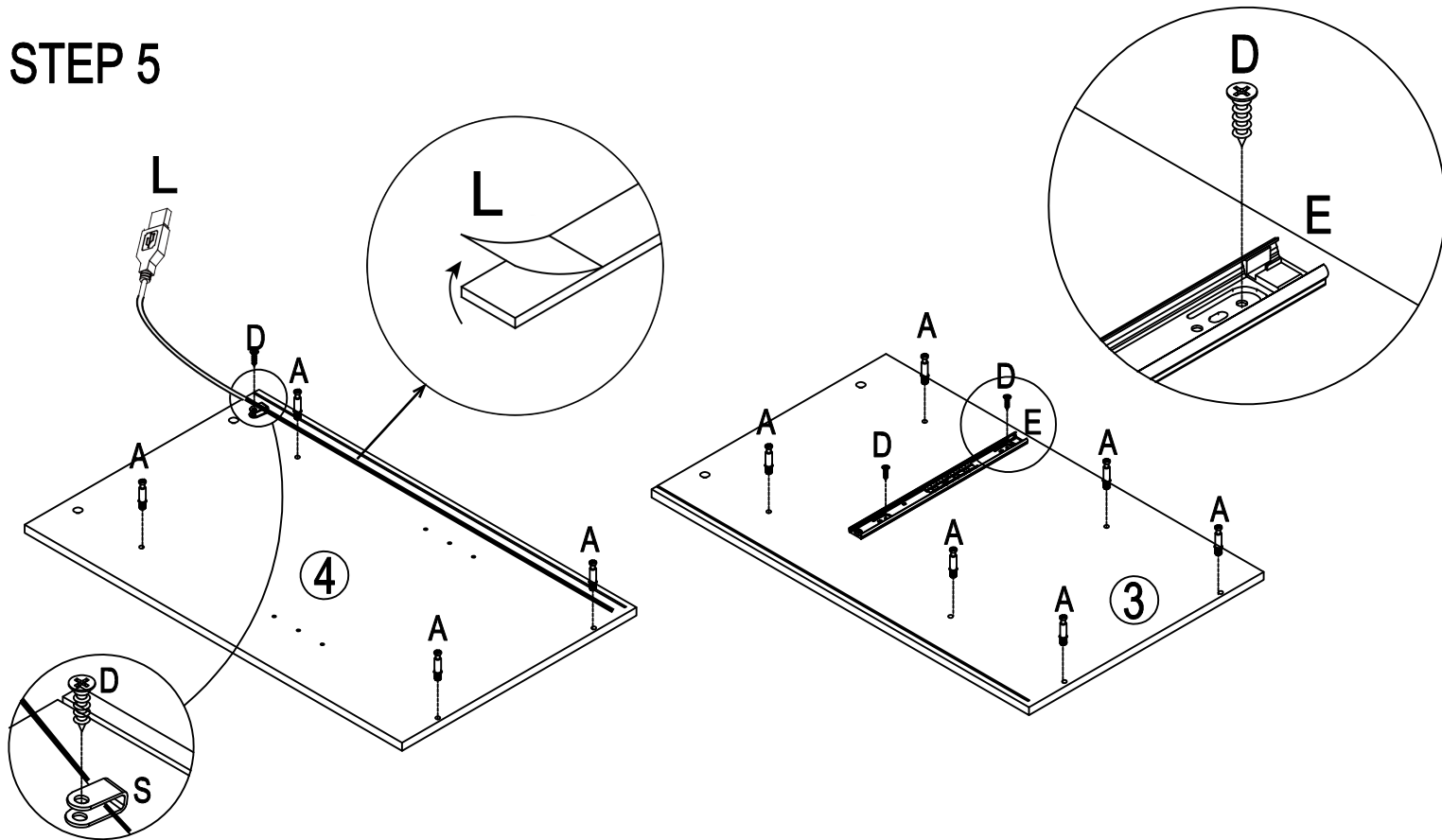


STEP 4



Bx6

STEP 5



Ax10



Ex1



Dx3

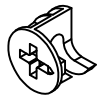
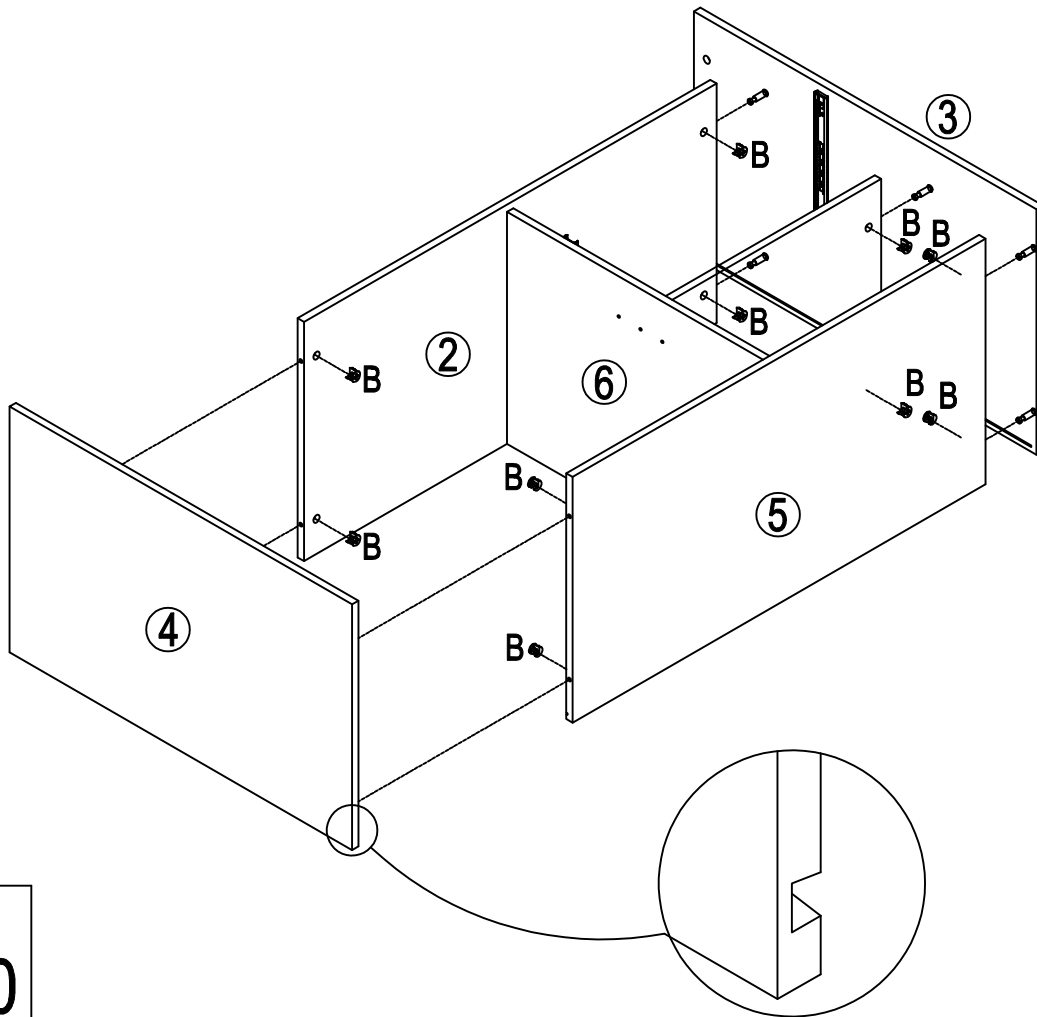


Lx1



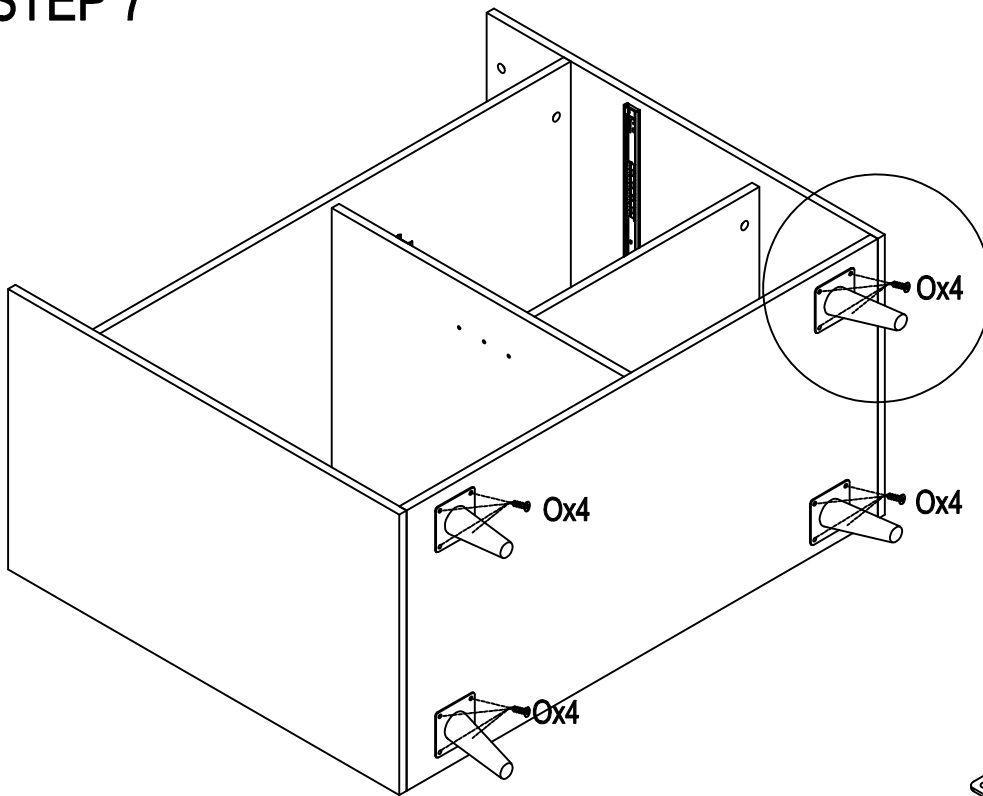
Sx1

STEP 6

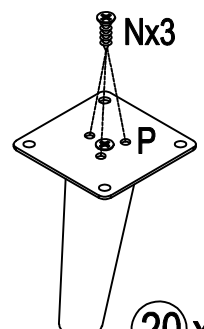
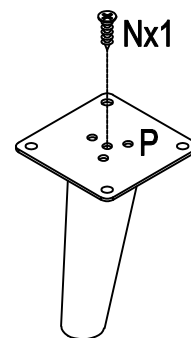
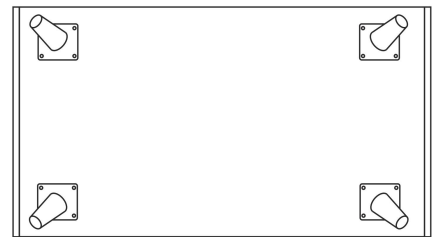


Bx10

STEP 7



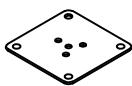
45° angle mounting



Ox16



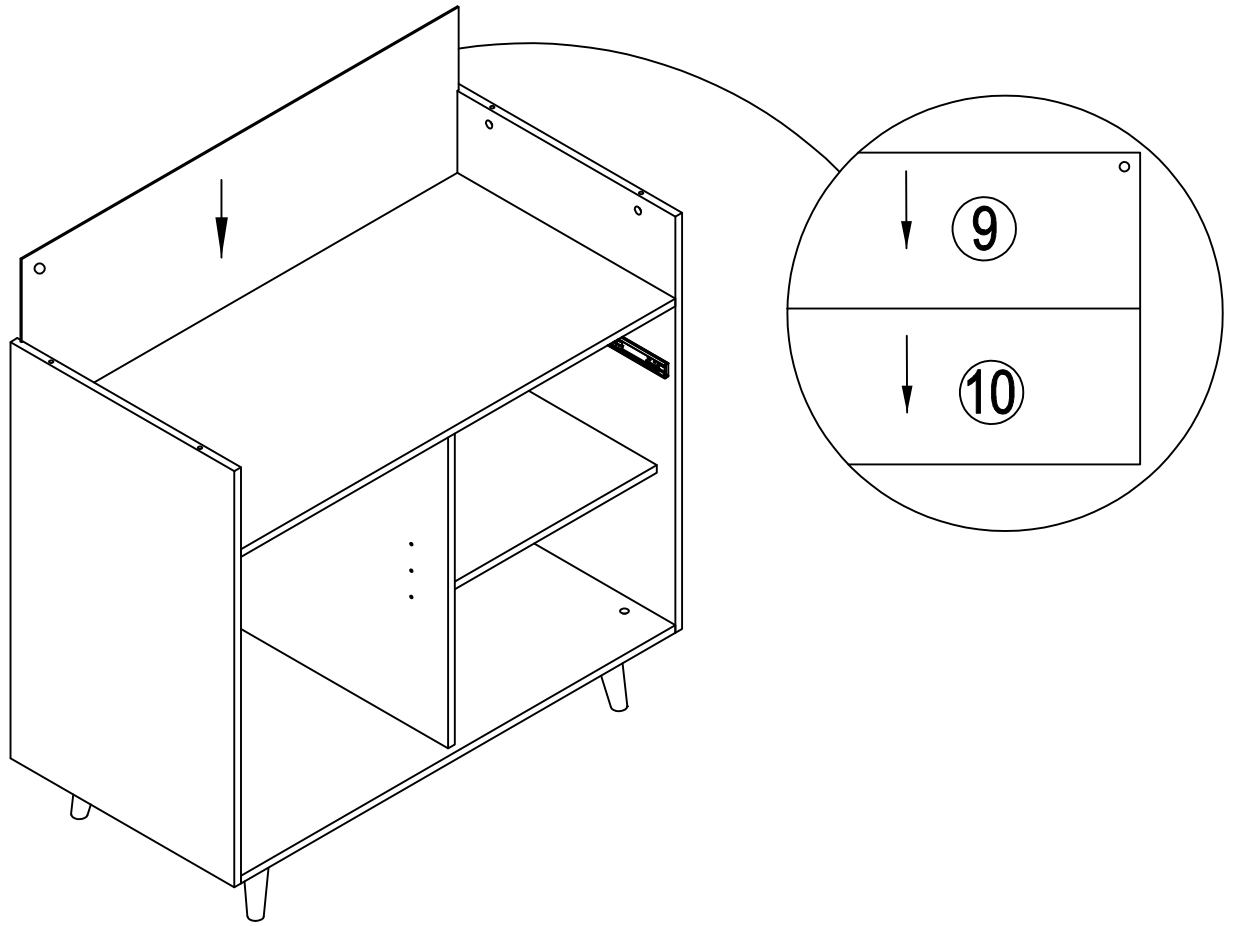
Nx16



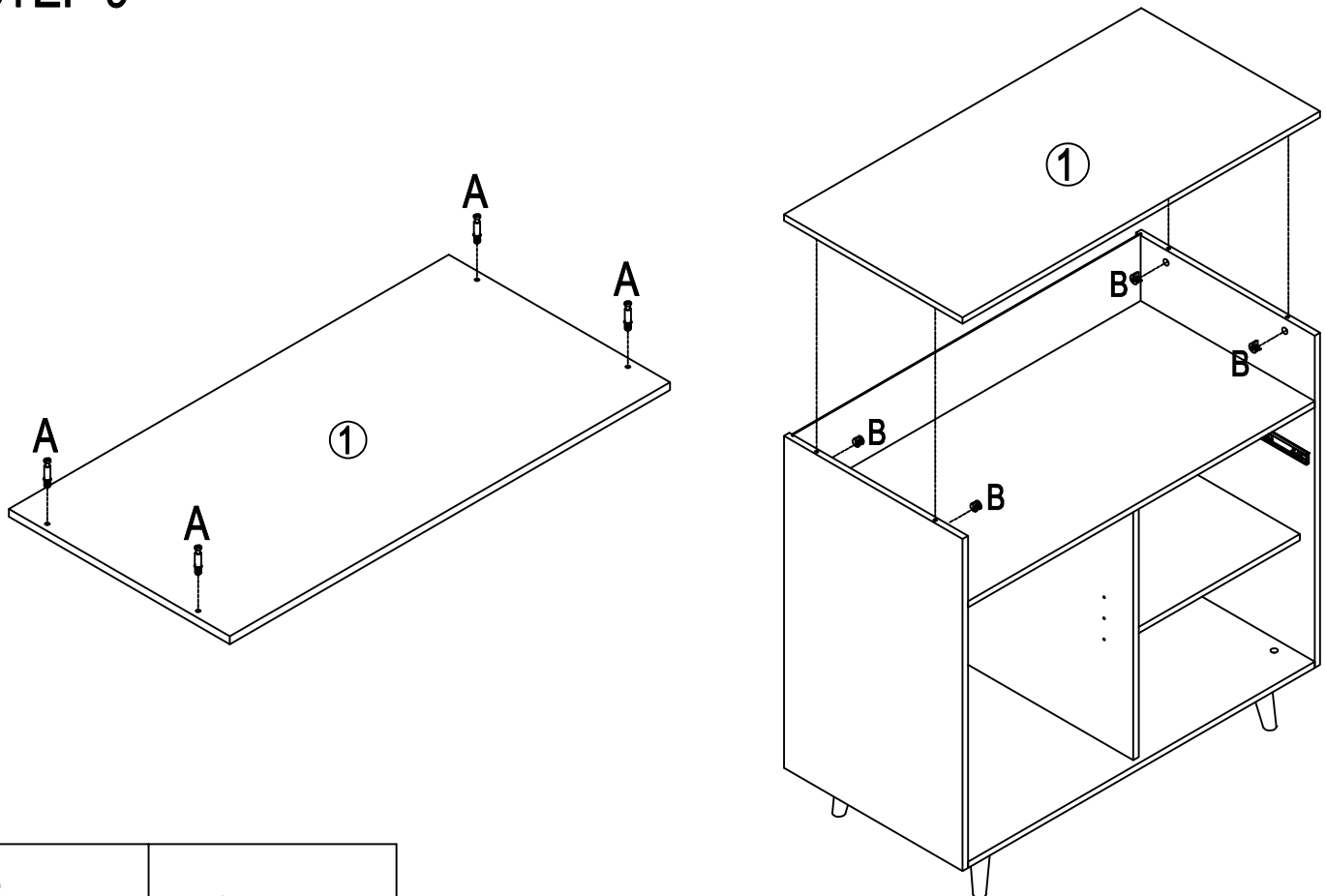
Px4

20x4

STEP 8



STEP 9

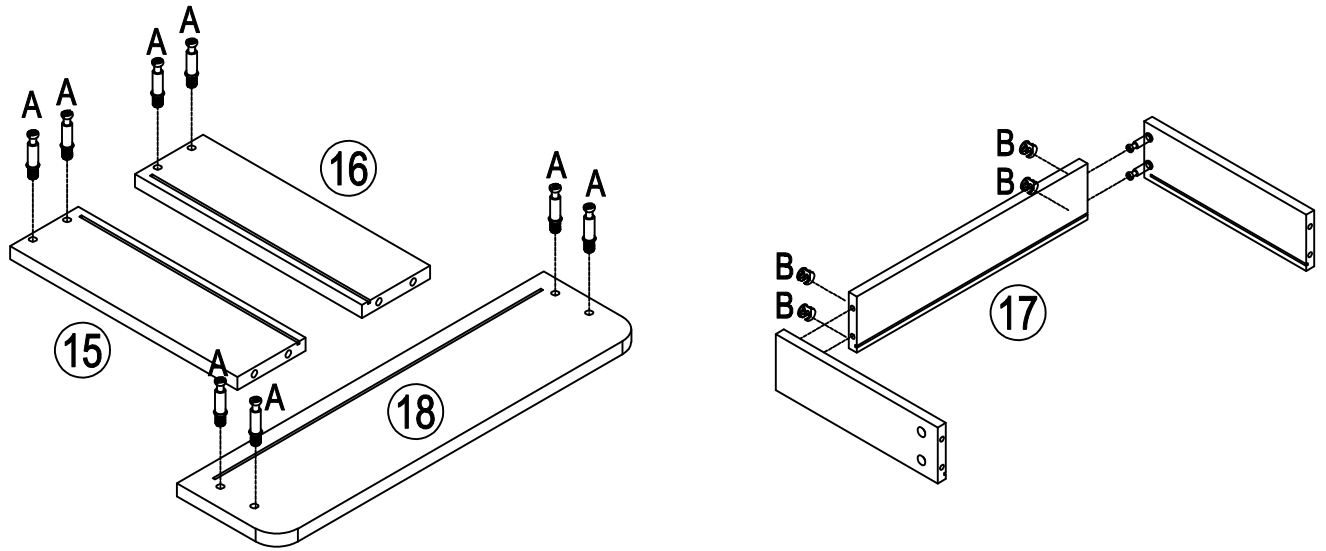


Ax4



Bx4

STEP 10

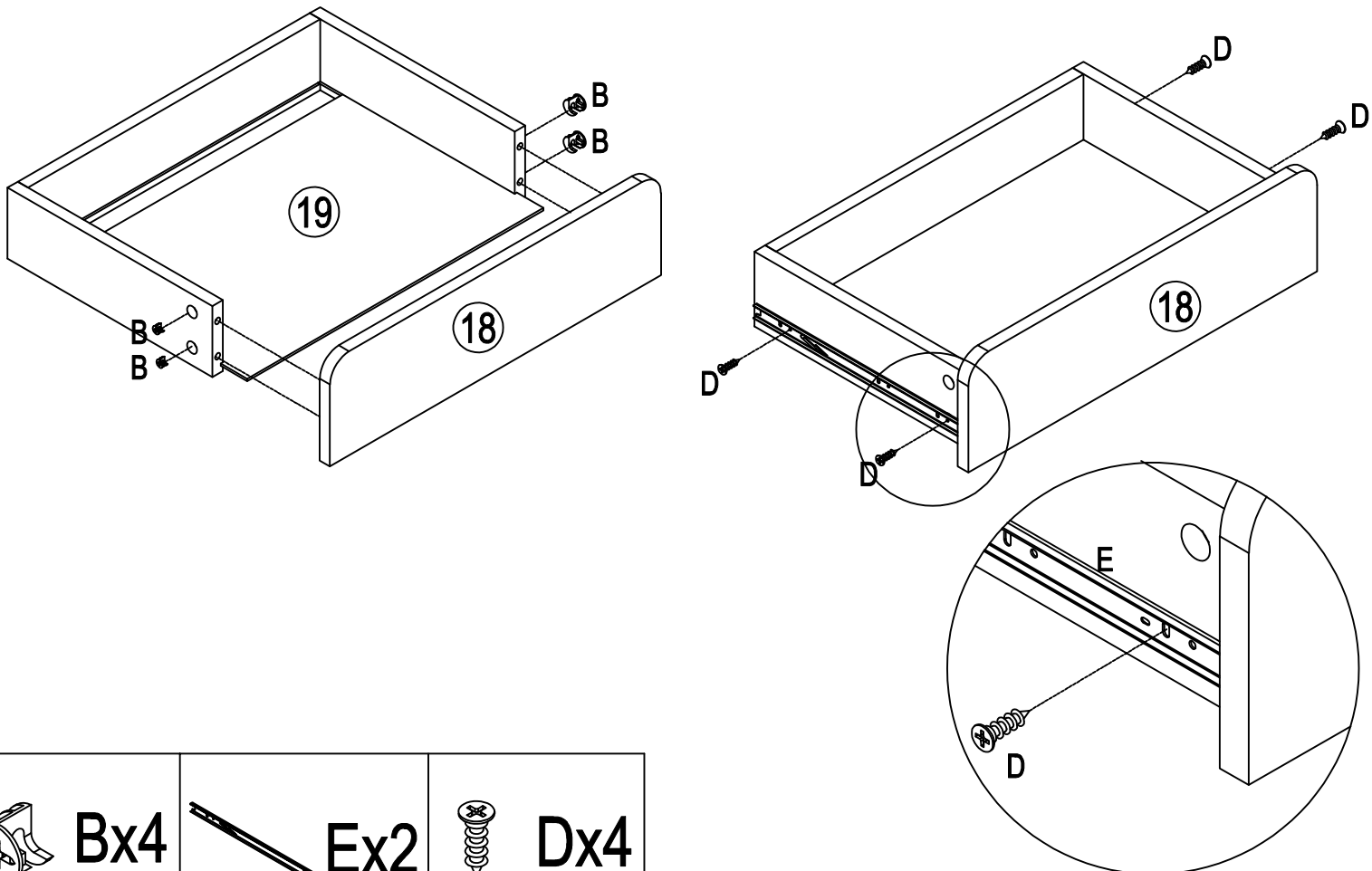


Ax8



Bx4

STEP 11



Bx4

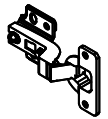
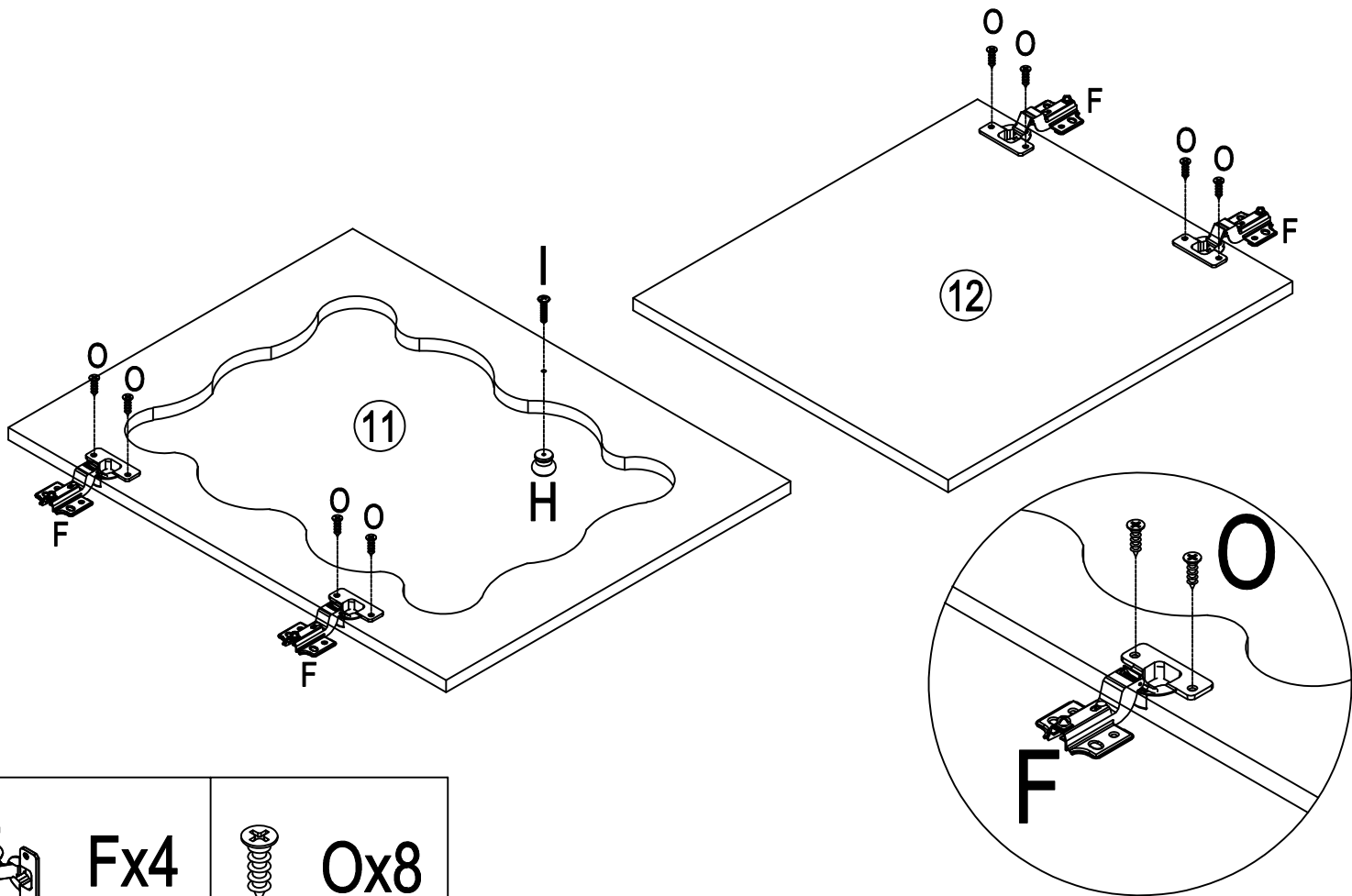


Ex2



Dx4

STEP 12

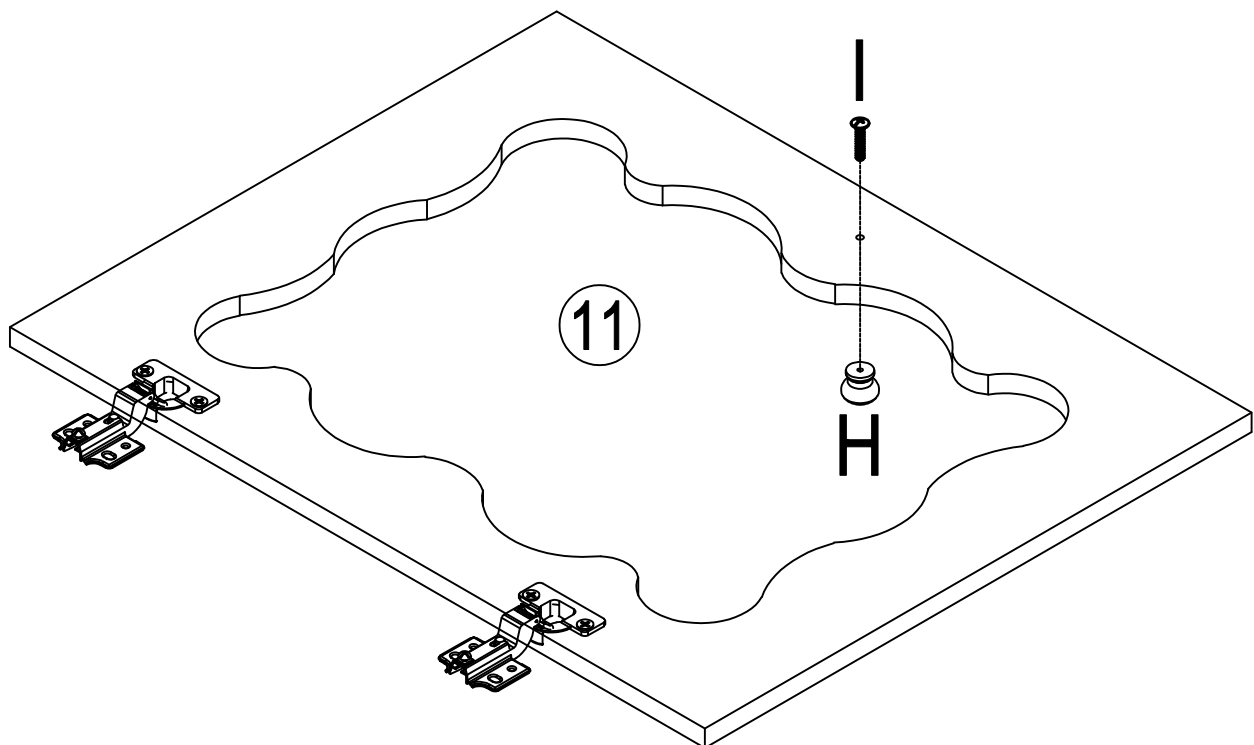


Fx4



Ox8

STEP 13

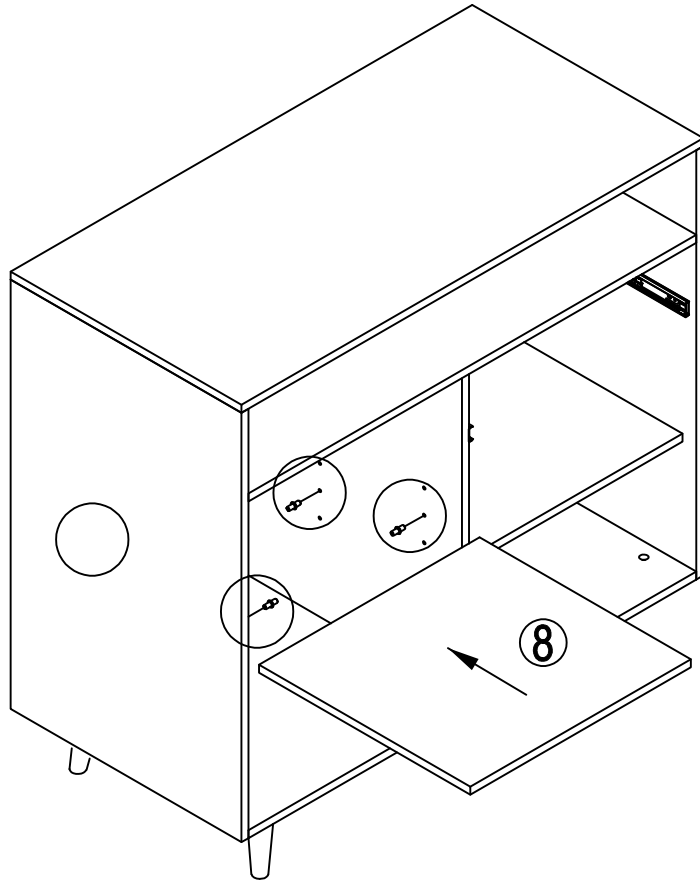


Hx1

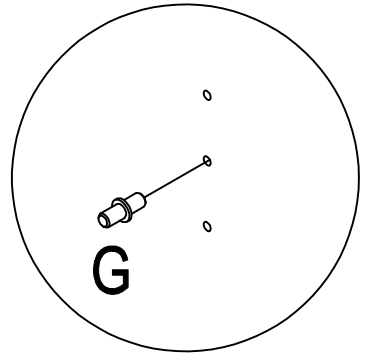


Ix1

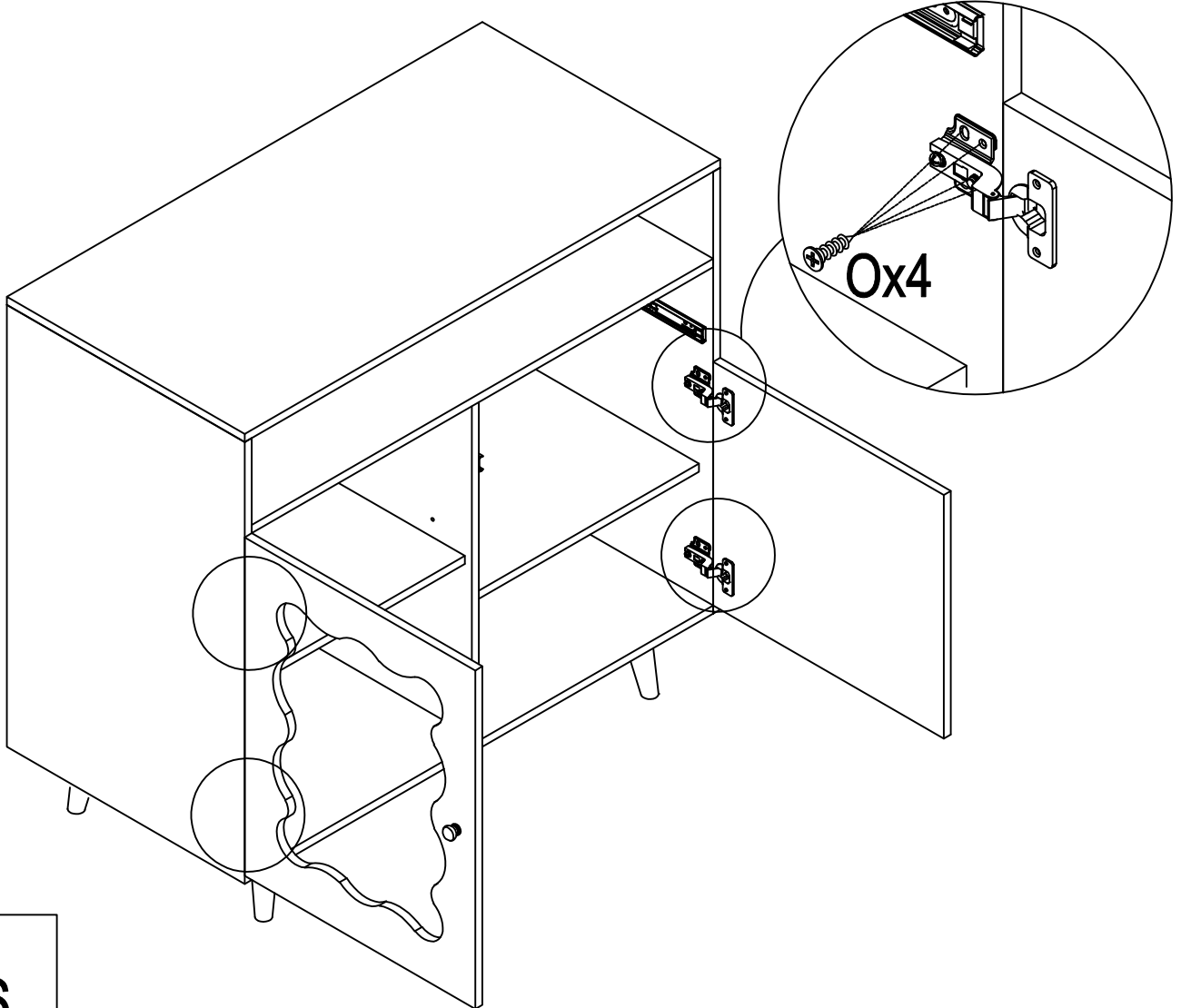
STEP 14



 **Gx4**

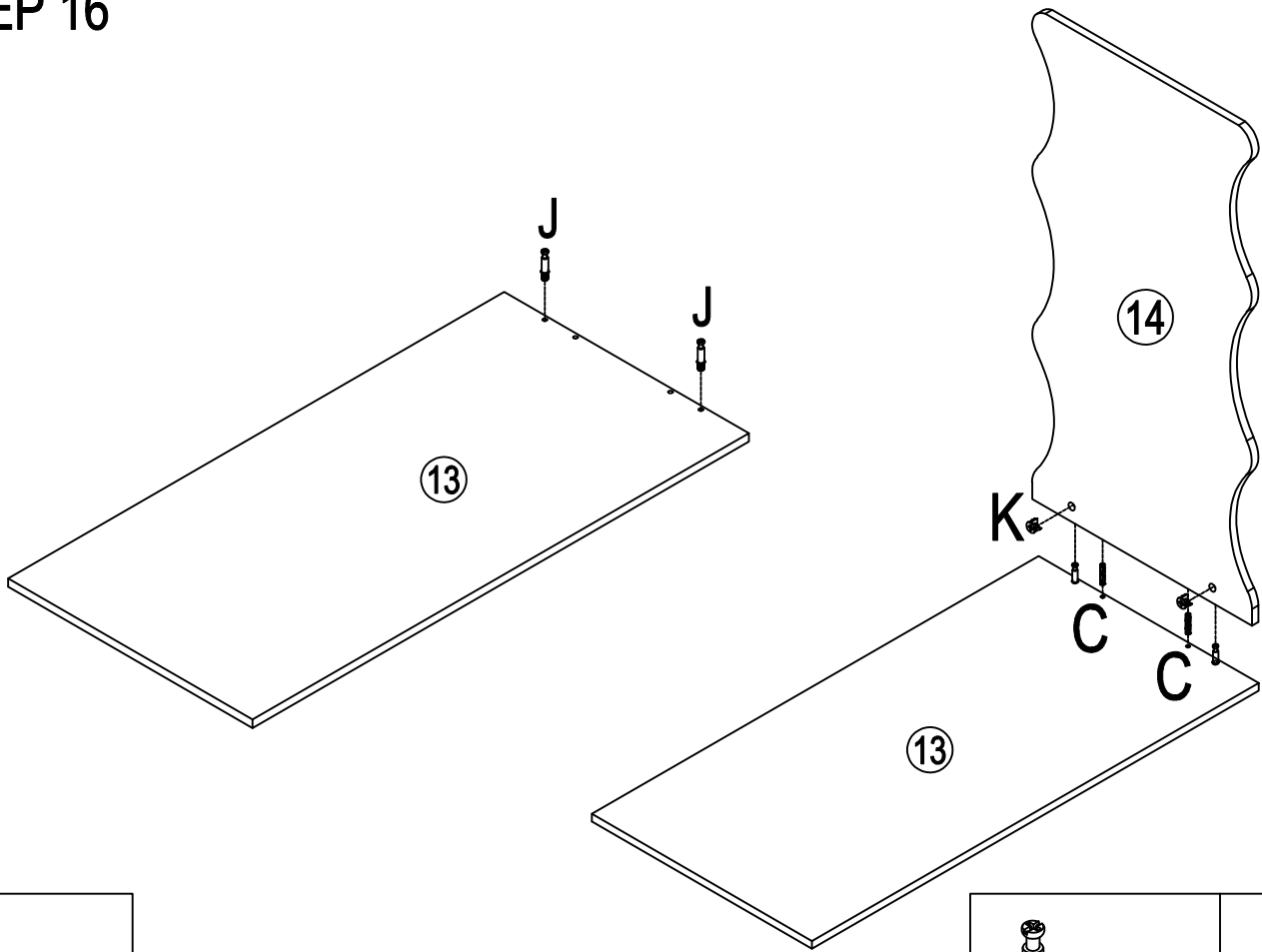


STEP 15



 **Ox16**

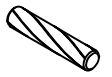
STEP 16



Jx2

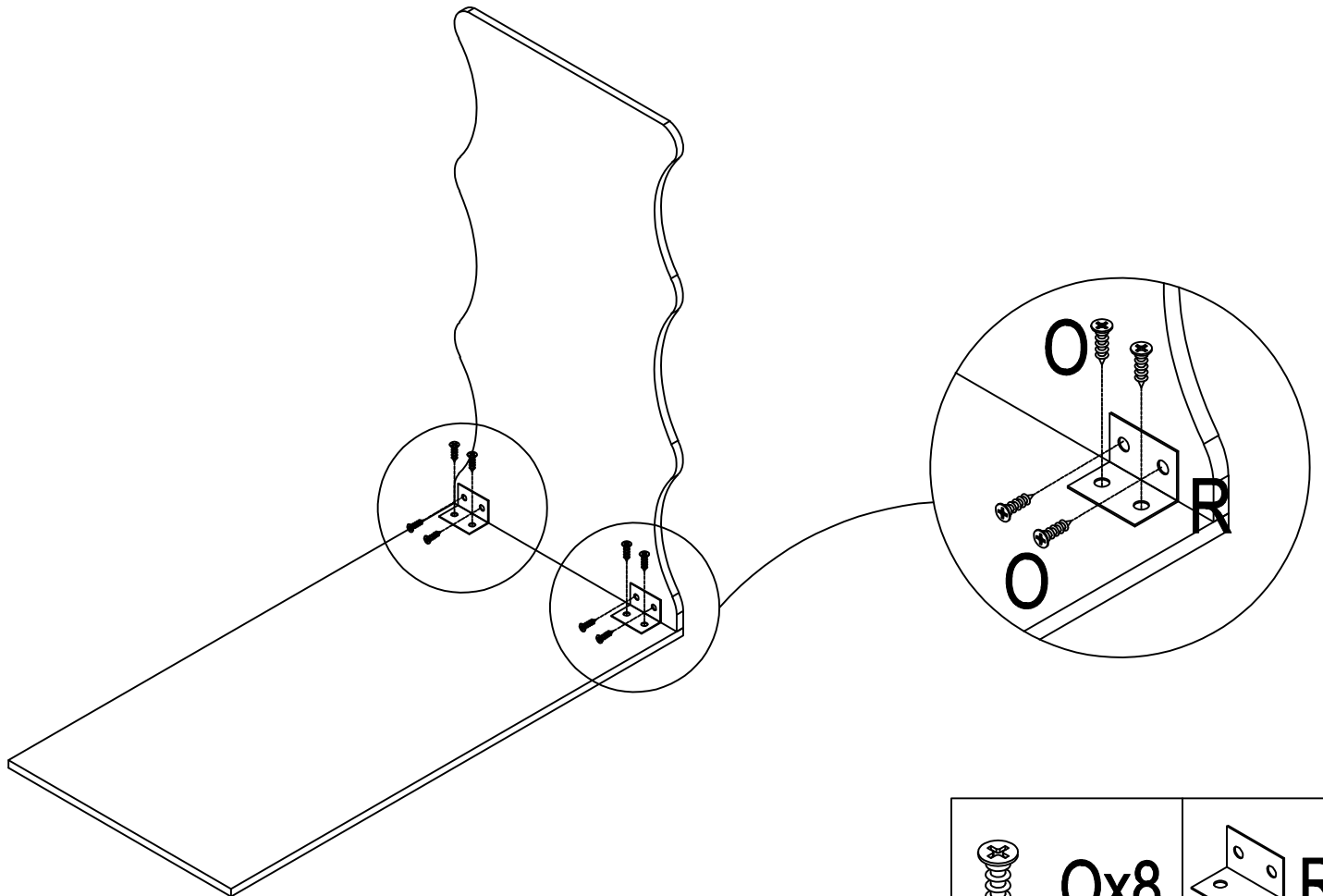


Kx2

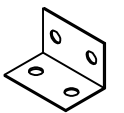


Cx2

STEP 17

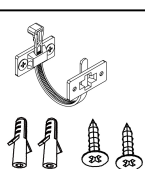
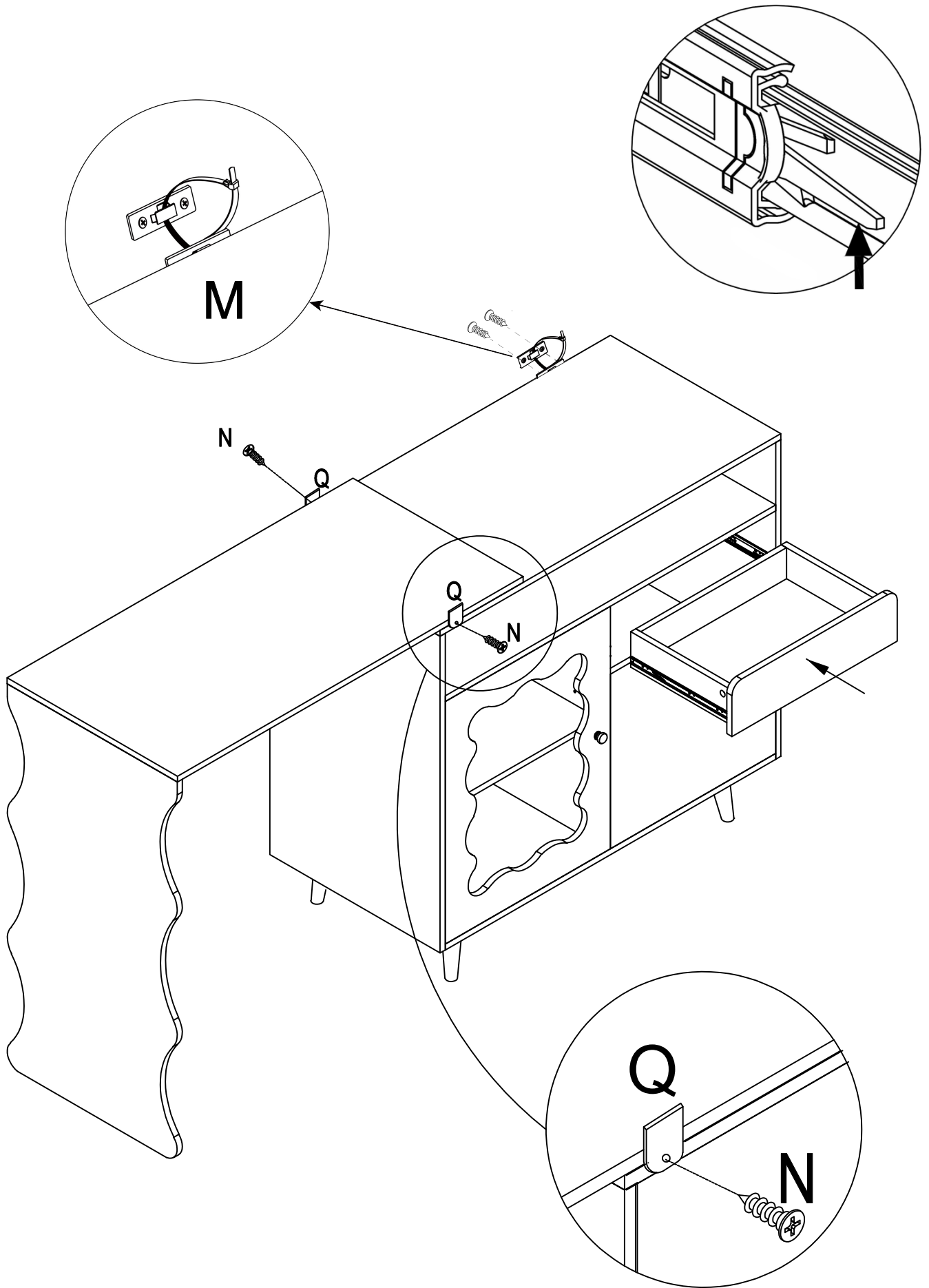


Ox8

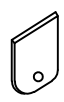


Rx2

STEP 18



Mx1



Qx1



Nx2